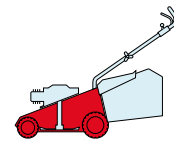


GA 534

TR

TR 3S

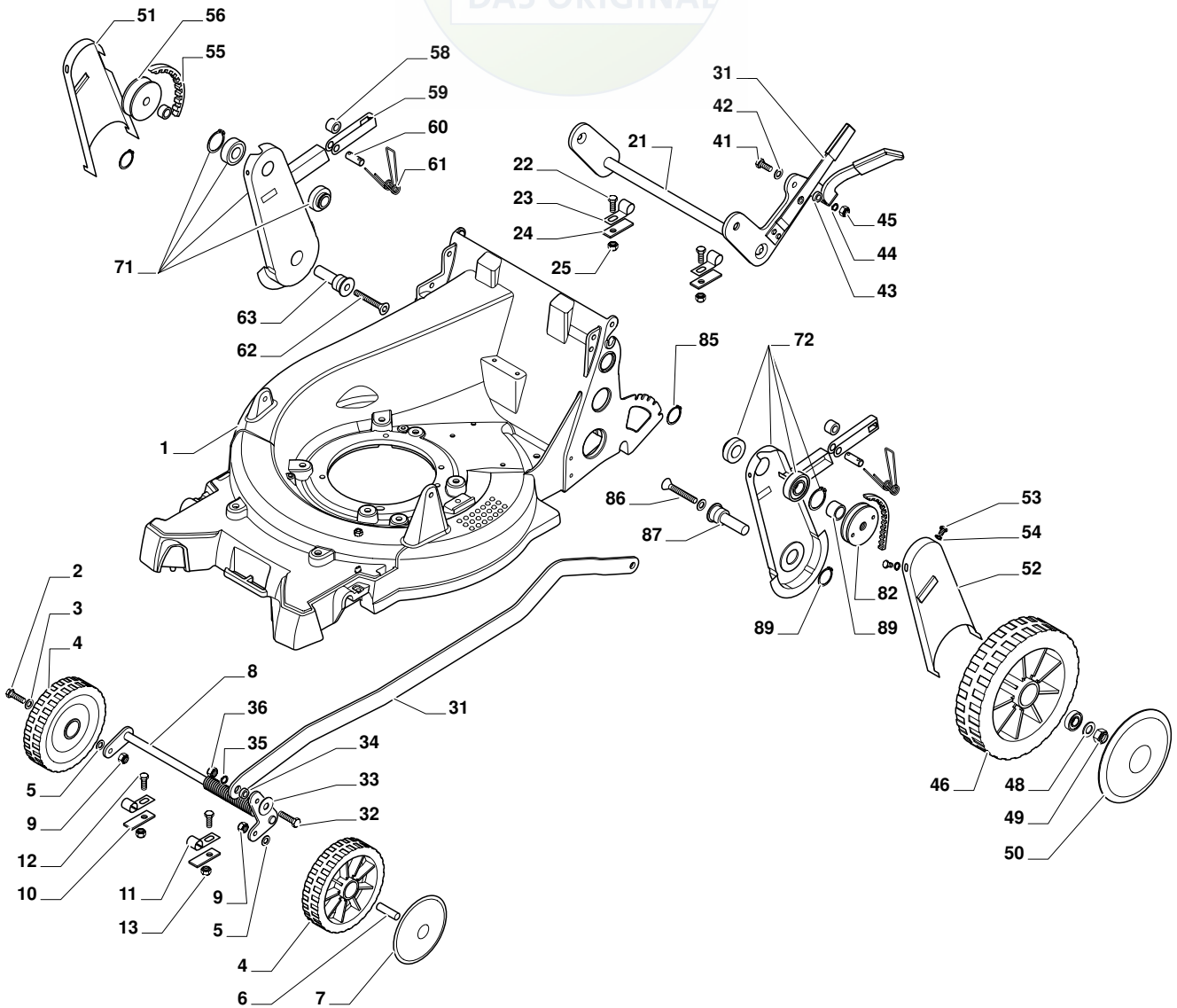


2009

91\_001

1/2

DAS ORIGINAL



POS.	CODE	Q.TY	DESCRIZIONE	DESCRIPTION	DESCRIPTION	BESCHREIBUNG	REMARKS
1	381003773/0	1	Chassis Grigio	Deck Grey	Châssis Gris	Gehäuse Grau	
2	12691700/0	2	Vite	Screw	Vis	Schraube	
3	12523060/0	2	Rosetta	Washer	Rondelle	Scheibe	
4	15796	2	Ruota Ø 200	Wheel Ø 200	Roue Ø 200	Rad Ø 200	
5	12524010/0	2	Rosetta	Washer	Rondelle	Scheibe	
6	10724	2	Perno	Pin	Pivot	Bolzen	
7	14604	2	Coprimezzo Grigio Ø 200	Hub Cap, Grey Ø 200	Couvre-Moyeu, Gris Ø 200	Radkappe, Grau Ø 200	
8	381002867/0	1	Asse Ruote Anteriori	Axle, Front Wheels	Axe Roues Avant	Achse, Vorderrad	
9	12155000/0	2	Dado	Nut	Ecrou	Mutter	
10	10646	2	Piastrina	Plate	Plaquette	Platte	
11	14109	2	Piastrina	Plate	Plaquette	Platte	
12	12793701/0	2	Vite	Screw	Vis	Schraube	
13	12524010/0	2	Rosetta	Washer	Rondelle	Scheibe	
21	11760	1	Asse Ruote Posteriori	Axle, Rear Wheels	Axe Roues Arriere	Achse, Hinterrad	
24	10646	2	Piastrina	Plate	Plaquette	Platte	
23	14109	2	Piastrina	Plate	Plaquette	Platte	

POS.	CODE	Q.TY	DESCRIZIONE	DESCRIPTION	DESCRIPTION	BESCHREIBUNG	REMARKS
22	12793700/0	2	Vite	Screw	Vis	Schraube	
25	12155000/0	2	Dado	Nut	Ecrou	Mutter	
31	381002025/0	1	Asta Comando Regol. Altezza	Rod, Height Adjustment	Tige Commande Reglage Hauteur	Stange, Höheverstellung	
32	12793700/0	1	Vite	Screw	Vis	Schraube	
33	12523070/0	1	Rosetta	Washer	Rondelle	Scheibe	
34	11705	1	Bussola	Bush	Douille	Buchse	
35	12523070/0	1	Rosetta	Washer	Rondelle	Scheibe	
36	12155000/0	1	Dado	Nut	Ecrou	Mutter	
41	12793700/0	1	Vite	Screw	Vis	Schraube	
42	12521350/0	1	Rosetta	Washer	Rondelle	Scheibe	
43	11705	1	Bussola	Bush	Douille	Buchse	
44	12523070/0	1	Rosetta	Washer	Rondelle	Scheibe	
45	12155000/0	1	Dado	Nut	Ecrou	Mutter	
46	15795	2	Ruota Ø 250	Wheel Ø 250	Roue Ø 250	Rad Ø 250	
48	12523060/0	2	Rosetta	Washer	Rondelle	Scheibe	
49	12155000/0	2	Dado	Nut	Ecrou	Mutter	
50	14601	2	Coprizzo Grigio Ø 250	Hub Cap, Grey Ø 250	Couvre-Moyeu, Gris Ø 250	Radkappe, Grau Ø 250	
51	381119751/0	1	Carter Cinghia	Protection, Belt	Protection	Schutz, Riemen	
52	381119753/0	1	Carter Cinghia	Protection, Belt	Protection	Schutz, Riemen	
53	12788800/0	4	Vite	Screw	Vis	Schraube	
54	12581500/0	4	Grower	Grower	Grower	Federring	
55	10700	2	Cinghia	Belt	Courroire	Riemen	
56	11109	1	Puleggia	Pulley	Poulie	Riemenscheibe	
58	10530	2	Bussola	Bush	Douille	Büchse	
59	10529	2	Piastrina	Plate	Plaquette	Platte	
60	10531	2	Perno	Pin	Pivot	Bolzen	
61	10636	2	Molla	Spring	Ressort	Feder	
62	112882030/0	1	Vite	Screw	Vis	Schraube	
63	10467	2	Perno	Pin	Pivot	Bolzen	
71	11763	1	Carter Cinghia	Protection, Belt	Protection	Schutz, Riemen	
72	11762	1	Carter Cinghia	Protection, Belt	Protection	Schutz, Riemen	
81	11108	2	Distanziale	Spacer	Entretoise	Distanzring	
82	11110	1	Puleggia	Pulley	Poulie	Riemenscheibe	
85	112609800/0	2	Seeger	Seeger	Seeger	Seeger	
86	112882035/0	1	Vite	Screw	Vis	Schraube	
87	12523070/0	1	Rosetta	Washer	Rondelle	Scheibe	
89	112609800/0	2	Seeger	Seeger	Seeger	Seeger	

GA 534

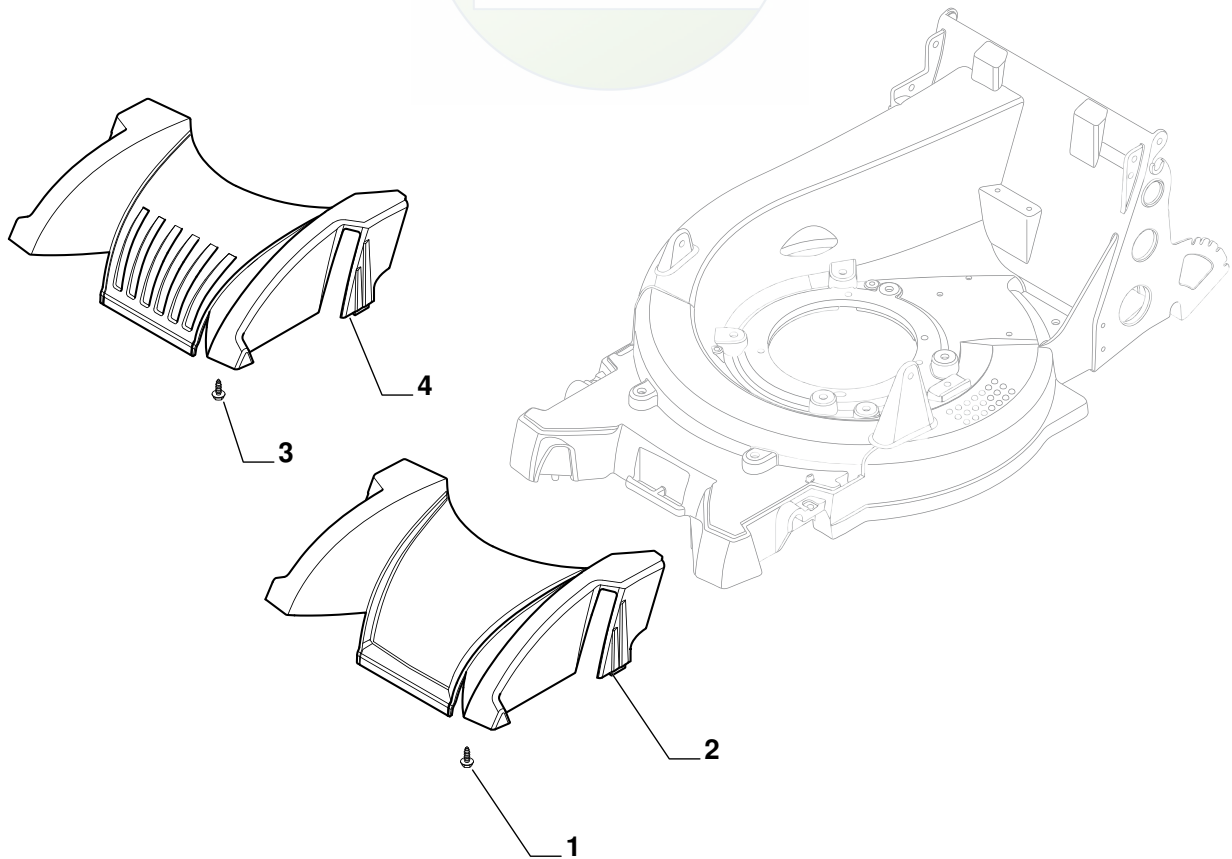
TR

TR 3S

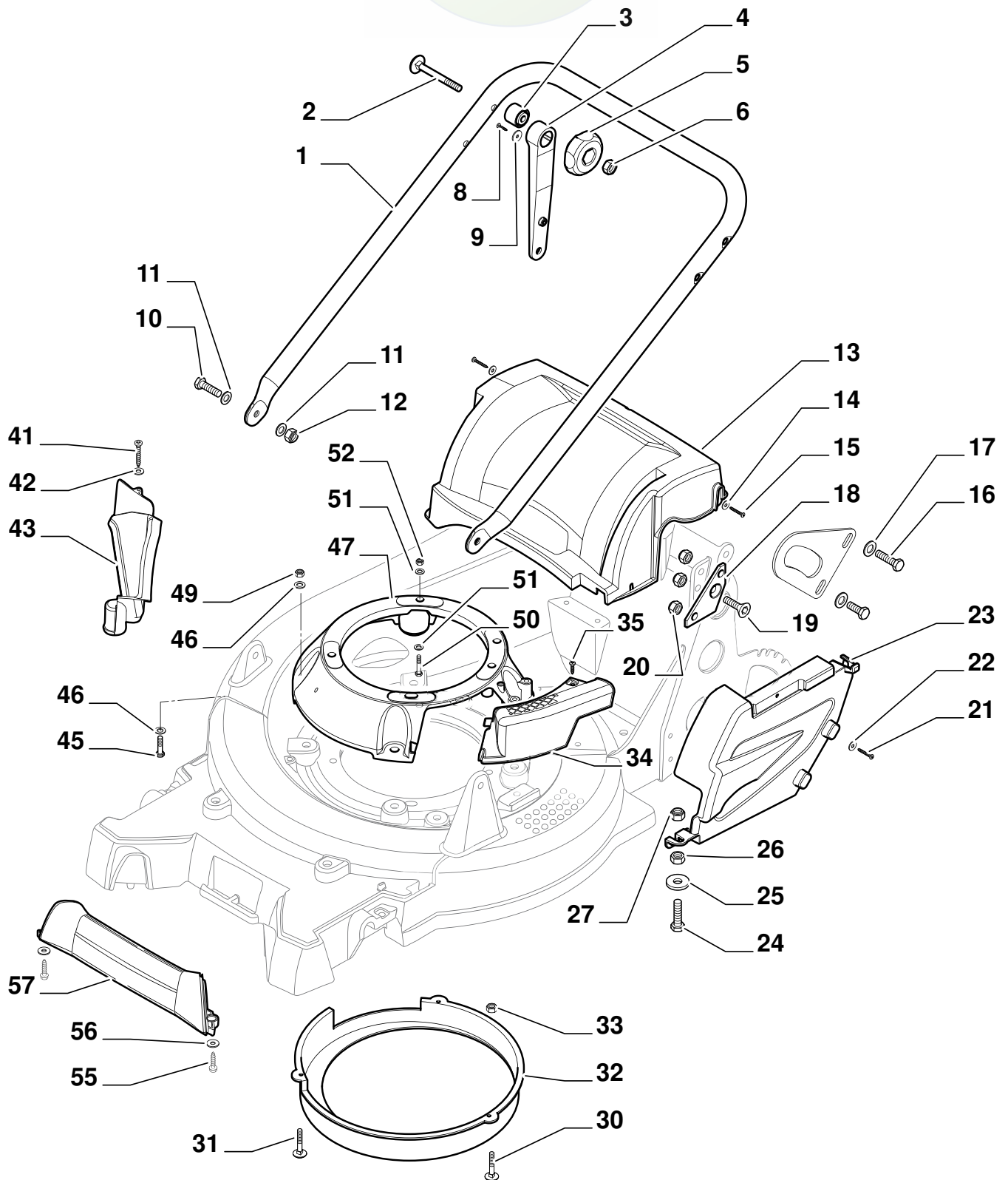
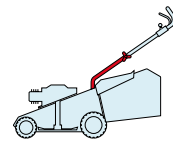
2009

91\_002

1 / 1



POS.	CODE	Q.TY	DESCRIZIONE	DESCRIPTION	DESCRIPTION	BESCHREIBUNG	REMARKS
1	112735420/0	2	Vite	Screw	Vis	Schraube	
2	322226131/0	1	Mascherina, Rosso	Mask, Red	Mesque, Rouge	Maske, Rot	
3	112735420/0	2	Vite	Screw	Vis	Schraube	
4	322226132/0	1	Mascherina, Giallo	Mask, Yellow	Mesque, Jaune	Maske, Gelb	

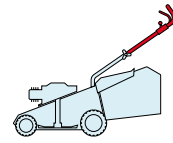


POS.	CODE	Q.TY	DESCRIZIONE	DESCRIPTION	DESCRIPTION	BESCHREIBUNG	REMARKS
1	322498119/0	1	Manico, Parte Inf Nero	Handle, Lower Part Black	Mancheron, Partie Inferieure Noir	Holm, Unterteil Schwarz	
1	322498121/0	1	Manico, Parte Inf Giallo	Handle, Lower Part Yellow	Mancheron, Partie Inferieure Jaune	Holm, Unterteil Gelb	
2	112819205/0	2	Vite	Screw	Vis	Schraube	
3	322020501/0	2	Gommino Antivibrante	Shock Absorber	Caoutchouc Anti-Vibrations	Schwingungsdämpfer	
4	322785285/0	2	Supporto	Support	Support	Halter	
5	322399804/1	2	Manopolina	Knob	Poignée	Griff	
6	12293200/0	2	Dado	Nut	Ecrou	Mutter	
8	12735101/0	2	Vite	Screw	Vis	Schraube	
9	12523010/0	2	Rosetta	Washer	Rondelle	Scheibe	
10	12793701/0	2	Vite	Screw	Vis	Schraube	
11	12521350/0	4	Rosetta	Washer	Rondelle	Scheibe	
12	12155000/0	2	Dado	Nut	Ecrou	Mutter	
13	322109824/0	1	Copertura Sup. Nero	Cover, Upper Black	Couvre, Sup. Noir	Oberteilkappe, Rot Schwarz	
14	112523000/1	2	Rosetta	Washer	Rondelle	Scheibe	
15	12728525/0	2	Vite	Screw	Vis	Schraube	
16	12793701/0	4	Vite	Screw	Vis	Schraube	
17	12521350/0	2	Rosetta	Washer	Rondelle	Scheibe	
18	15228	1	Supporto	Support	Support	Halter	
19	112882005/0	1	Vite	Screw	Vis	Schraube	
20	12155000/0	3	Dado	Nut	Ecrou	Mutter	
21	12728525/0	1	Vite	Screw	Vis	Schraube	
22	112523000/1	2	Rosetta	Washer	Rondelle	Scheibe	
23	322060229/0	1	Carter	Case	Carter	Blech	
24	12793701/0	1	Vite	Screw	Vis	Schraube	
25	12524010/0	1	Rosetta	Washer	Rondelle	Scheibe	
26	12293200/0	1	Dado	Nut	Ecrou	Mutter	
27	12155000/0	1	Dado	Nut	Ecrou	Mutter	
30	112760471/0	1	Vite	Screw	Vis	Schraube	
31	112760470/0	2	Vite	Screw	Vis	Schraube	
32	10743	1	Convogliatore	Conveyor	Convoyeur	Konveyor	
33	12150000/0	3	Dado	Nut	Ecrou	Mutter	
34	322601010/0	1	Protezione	Guard	Protection	Schutze	
35	12735101/0	1	Vite	Screw	Vis	Schraube	
41	12728525/0	1	Vite	Screw	Vis	Schraube	
42	112523000/1	2	Rosetta	Washer	Rondelle	Scheibe	
43	322601012/0	1	Protezione	Guard	Protection	Schutze	
45	112794400/0	4	Vite	Screw	Vis	Schraube	
46	12521360/0	8	Rosetta	Washer	Rondelle	Scheibe	
49	12156602/0	4	Dado	Nut	Ecrou	Mutter	
47	381207228/0	1	Flangia	Flange	Bride	Flansch	
50	12793801/0	3	Vite	Screw	Vis	Schraube	
51	12521350/0	6	Rosetta	Washer	Rondelle	Scheibe	
52	12155000/0	3	Dado	Nut	Ecrou	Mutter	
55	12731600/1	2	Vite	Screw	Vis	Schraube	
56	12523020/0	2	Rosetta	Washer	Rondelle	Scheibe	
57	322485001/0	1	Protezione	Guard	Protection	Schutze	

GA 534

TR

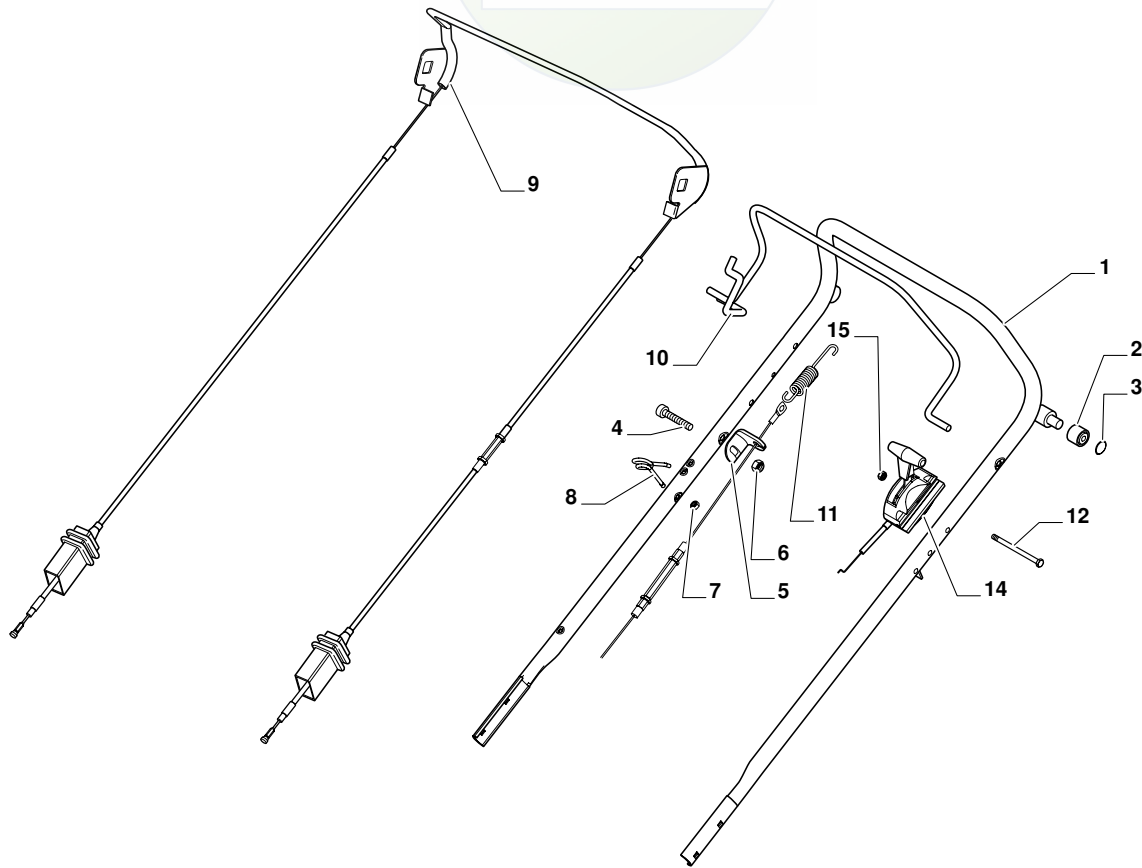
TR 3S



2009

91\_004

1 / 1

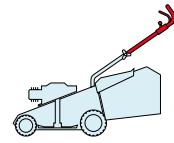


POS.	CODE	Q.TY	DESCRIZIONE	DESCRIPTION	DESCRIPTION	BESCHREIBUNG	REMARKS
1	381006871/0	1	Manico, Parte Sup, Nero	Handle, Upper Part, Black	Mancheron, Partie Supérieure, Noir	Holm, Oberteil, Schwarz	
1	381006873/0	1	Manico, Parte Sup Giallo	Handle, Upper Part Yellow	Mancheron, Partie Supérieure, Jaune	Holm, Oberteil, Gelb	
2	11076	2	Bussola	Bush	Douille	Büchse	
3	14608	2	Fissatore A Corona	Crown Fastener	Fixateur A Couronne	Kronescheibe	
4	12727793/0	1	Vite	Screw	Vis	Schraube	
5	14599	1	Piastrina Fissaggio Cavo	Plate For Cable Fastening	Plaquette Fixage Câble	Platte Kabelbefestigung	
6	12154510/0	1	Dado	Nut	Ecrou	Mutter	
7	12154330/0	1	Dado	Nut	Ecrou	Mutter	
8	122430309/0	1	Molla	Spring	Ressort	Feder	
9	381030038/1	1	Cavo Comando Trazione	Cable, Rear Drive	Câble, Commande Traction	Kabel, Antrieb	
10	181003334/0	1	Leva Trazione	Lever, Driving	Levier Traction	Hebel, Antrieb	
11	181030036/0	1	Cavo Freno Motore	Cable, Thread Engine Brake	Cable Frein Moteur	Kabel, Motorbremse	
12	12727786/0	1	Vite	Screw	Vis	Schraube	
14	181007145/0	1	Cavo Acceleratore	Throttle Cable	Cable, Accelérateur	Gashebel Kabel	
15	12154510/0	1	Dado	Nut	Ecrou	Mutter	

GA 534

TR

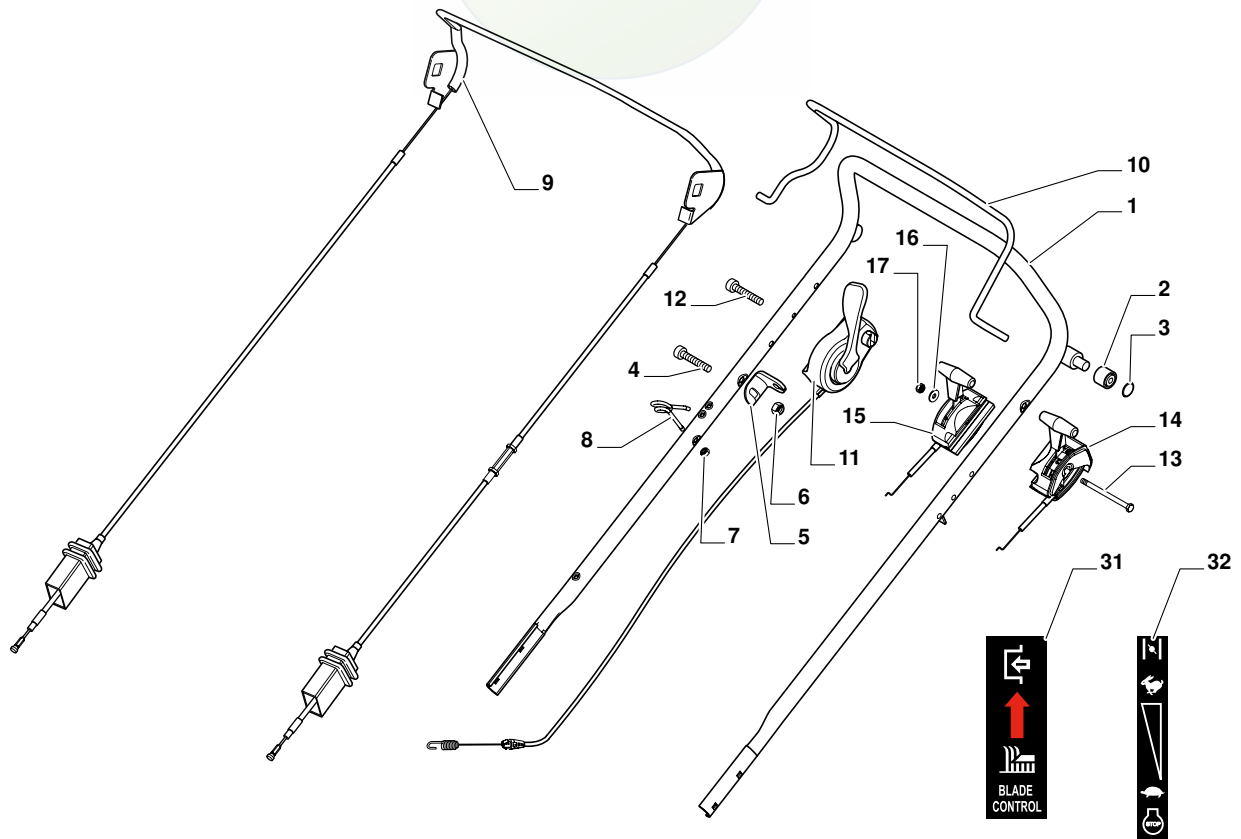
TR 3S



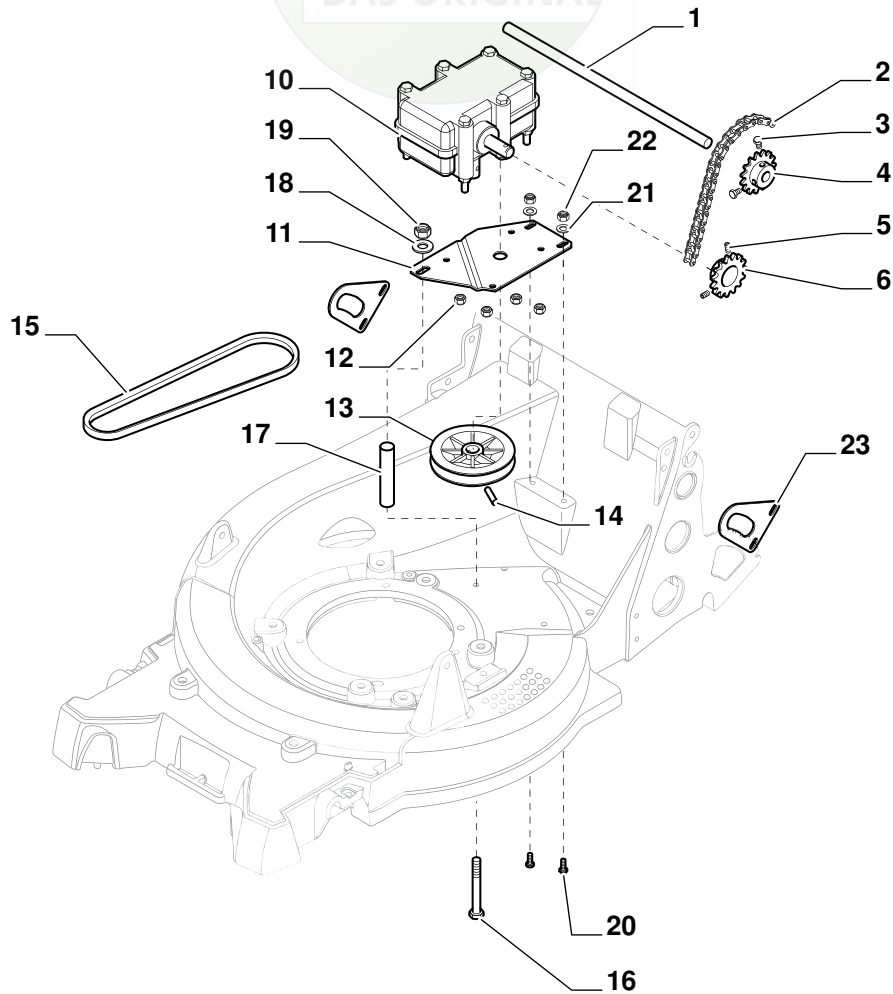
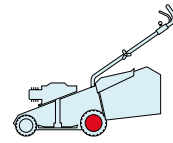
2009

91\_005

1 / 1



POS.	CODE	Q.TY	DESCRIZIONE	DESCRIPTION	DESCRIPTION	BESCHREIBUNG	REMARKS
1	381006871/0	1	Manico, Parte Sup, Nero	Handle, Upper Part, Black	Mancheron, Partie Supérieure, Noir	Holm, Oberteil, Schwarz	
1	381006873/0	1	Manico, Parte Sup Giallo	Handle, Upper Part Yellow	Mancheron, Partie Supérieure, Jaune	Holm, Oberteil, Gelb	
2	11076	2	Bussola	Bush	Douille	Büchse	
3	14608	2	Fissatore A Corona	Crown Fastener	Fixateur A Couronne	Kronescheibe	
4	12727793/0	1	Vite	Screw	Vis	Schraube	
5	14599	1	Piastrina Fissaggio Cavo	Plate For Cable Fastening	Plaquette Fixage Câble	Platte Kabelbefestigung	
6	12154510/0	1	Dado	Nut	Ecrou	Mutter	
7	12154330/0	1	Dado	Nut	Ecrou	Mutter	
8	122430309/0	1	Molla	Spring	Ressort	Feder	
9	381030038/1	1	Leva Comando Trazione	Lever, Rear Drive	Levier, Commande Traction	Hebel, Antrieb	
10	181003333/0	1	Cavo Comando Frizione Meccanica	Cable, Mechanical Clutch	Câble, Commande Embayage Mecanique	Kabel, Mechanische Kupplung	
11	381030034/0	1	Cavo Comando Frizione Meccanica	Cable, Mechanical Clutch	Câble, Commande Embayage Mecanique	Kabel, Mechanische Kupplung	
12	12727793/0	1	Vite	Screw	Vis	Schraube	
13	112689590/0	1	Vite	Screw	Vis	Schraube	
14	181007143/0	1	Cavo Comando Marce	Cable, Speed Drive Control	Cable, Comm. Change-ment Vitesse	Kabel, Gängeschaltun	
15	181007144/0	1	Cavo Acceleratore	Throttle Cable	Cable, Accelérateur	Gashebel Kabel	
16	12523040/0	1	Rosetta	Washer	Rondelle	Scheibe	
17	12154510/0	1	Dado	Nut	Ecrou	Mutter	
31	114363817/0	1	Etichetta	Label	Etiquette	Etikette	
32	114364387/0	1	Etichetta	Label	Etiquette	Etikette	



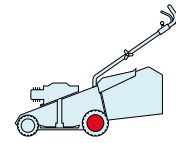
POS.	CODE	Q.TY	DESCRIZIONE	DESCRIPTION	DESCRIPTION	BESCHREIBUNG	REMARKS
1	11111	1	Asse Avanzamento	Axle	Axe	Achse	
2	14875	1	Catena	Chain	Chaîne	Kette	
3	VBCH6x12	2	Vite	Screw	Vis	Schraube	
4	15393	1	Pignone 15T	Pinion 15T	Pignon 15T	Ritzel 15T	
5	12714302/0	2	Grano	Dowel	Grain	Stift	
6	14117	1	Pignone 17T	Pinion 17T	Pignon 17T	Ritzel 17T	
10	15391	1	Gruppo Trazione	Gear Box	Groupe Traction	Antrieb	
11	14115	1	Supporto Gruppo Trazione	Support, Gear Box	Support Gr.	Halter, Antrieb	
12	12154510/0	4	Dado	Nut	Ecrou	Mutter	
13	15390	1	Puleggia	Pulley	Poulie	Riemenscheibe	
14	112645706/0	1	Spina Elastica	Pin	Goupille	Stift	
15	15507	1	Cinghia	Belt	Courroie	Riemen	
16	112692090/0	1	Vite	Screw	Vis	Schraube	
17	14119	1	Perno	Pin	Pivot	Bolzen	
18	12521350/0	1	Rosetta	Washer	Rondelle	Scheibe	
19	12155000/0	1	Dado	Nut	Ecrou	Mutter	
20	12791400/0	2	Vite	Screw	Vis	Schraube	
21	12523040/0	2	Rosetta	Washer	Rondelle	Scheibe	
22	12154510/0	2	Dado	Nut	Ecrou	Mutter	
23	14130	2	Piastrina	Plate	Plaque	Platte	



GA 534

TR

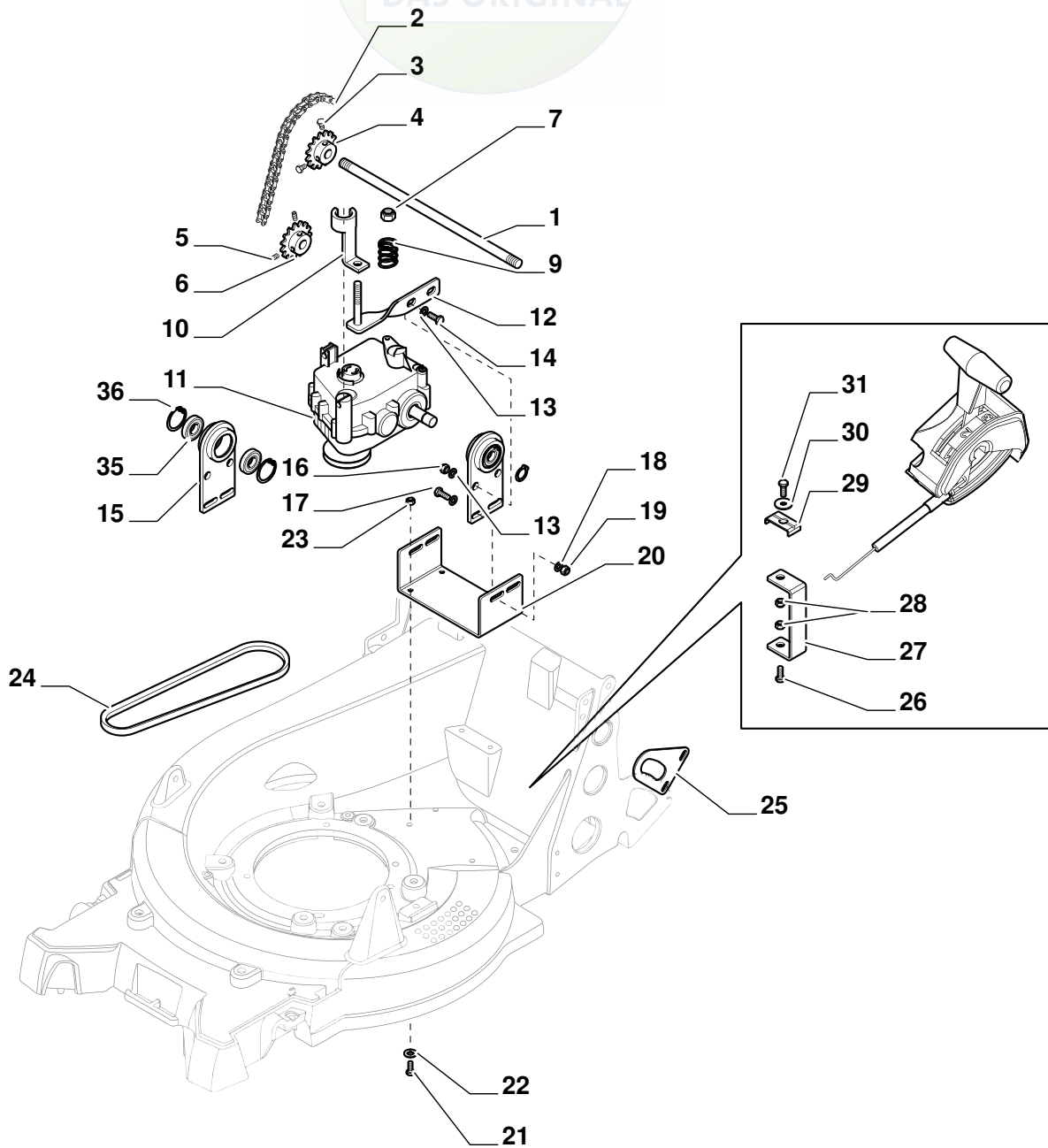
TR 3S



2009

91\_007

1 / 2



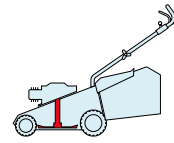
POS.	CODE	Q.TY	DESCRIZIONE	DESCRIPTION	DESCRIPTION	BESCHREIBUNG	REMARKS
1	11111	1	Asse Avanzamento	Axle	Axe	Achse	
2	15748	1	Catena	Chain	Chaine	Kette	
3	VBCH6x12	2	Vite	Screw	Vis	Schraube	
4	11751	1	Pignone 17T	Pinion 17T	Pignon 17T	Ritzel 17T	
5	112716110/0	2	Grano	Dowel	Grain	Stift	
6	15803	1	Pignone 15T	Pinion 15T	Pignon 15T	Ritzel 15T	
7	12154510/0	1	Dado	Nut	Ecrou	Mutter	
9	25135	1	Molla	Spring	Ressort	Feder	
10	15730	1	Staffa	Clamp	Etrier	Bride	
11	15809	1	Gruppo Trazione	Gear Box	Groupe Traction	Antrieb	
12	15729	1	Supporto	Support	Support	Halter	

POS.	CODE	Q.TY	DESCRIZIONE	DESCRIPTION	DESCRIPTION	BESCHREIBUNG	REMARKS
13	12523040/0	8	Rosetta	Washer	Rondelle	Scheibe	
14	12791400/0	4	Vite	Screw	Vis	Schraube	
15	15724	2	Supporto	Support	Support	Halter	
16	12154510/0	4	Dado	Nut	Ecrou	Mutter	
17	12791400/0	4	Vite	Screw	Vis	Schraube	
18	12523040/0	8	Rosetta	Washer	Rondelle	Scheibe	
19	12154510/0	4	Dado	Nut	Ecrou	Mutter	
20	15725	1	Piastrina	Plate	Plaque	Platte	
21	112791200/1	4	Vite	Screw	Vis	Schraube	
22	112543001/0	1	Rosetta	Washer	Rondelle	Scheibe	
23	12154510/0	4	Dado	Nut	Ecrou	Mutter	
24	14586	1	Cinghia	Belt	Courroie	Riemen	
25	322545193/0	2	Piastrina	Plate	Plaque	Platte	
26	112791200/1	1	Vite	Screw	Vis	Schraube	
27	15723	1	Supporto	Support	Support	Halter	
28	12154510/0	2	Dado	Nut	Ecrou	Mutter	
29	10629	1	Piastrina	Plate	Plaque	Platte	
30	12523050/0	1	Rosetta	Washer	Rondelle	Scheibe	
31	12791500/0	1	Vite	Screw	Vis	Schraube	
35	19216035/0	4	Cuscinetto	Bearing	Coussinet	Lager	
36	12610095/0	4	Anello Elastico	Snap Ring	Anneau Ressort	Sprengring	

GA 534

TR

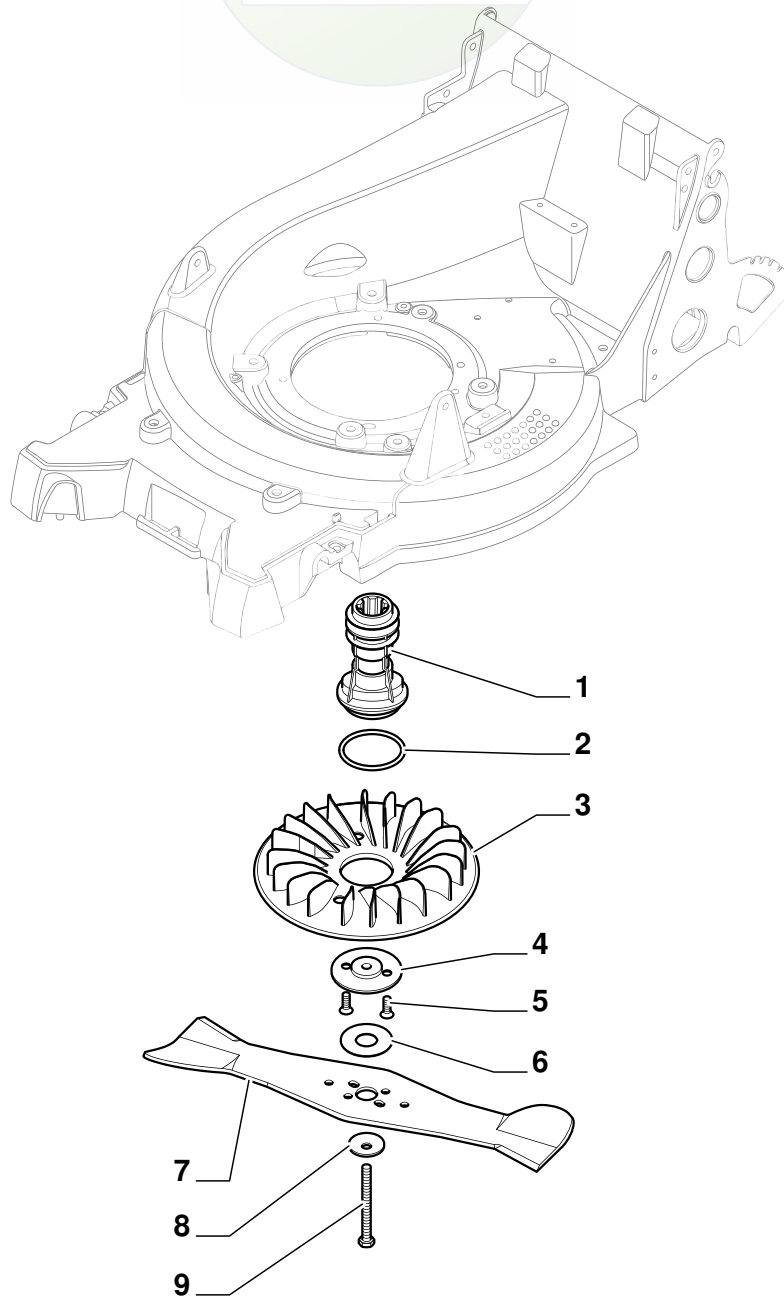
TR 3S

SICHER IST DAS  
DAS ORIGINAL

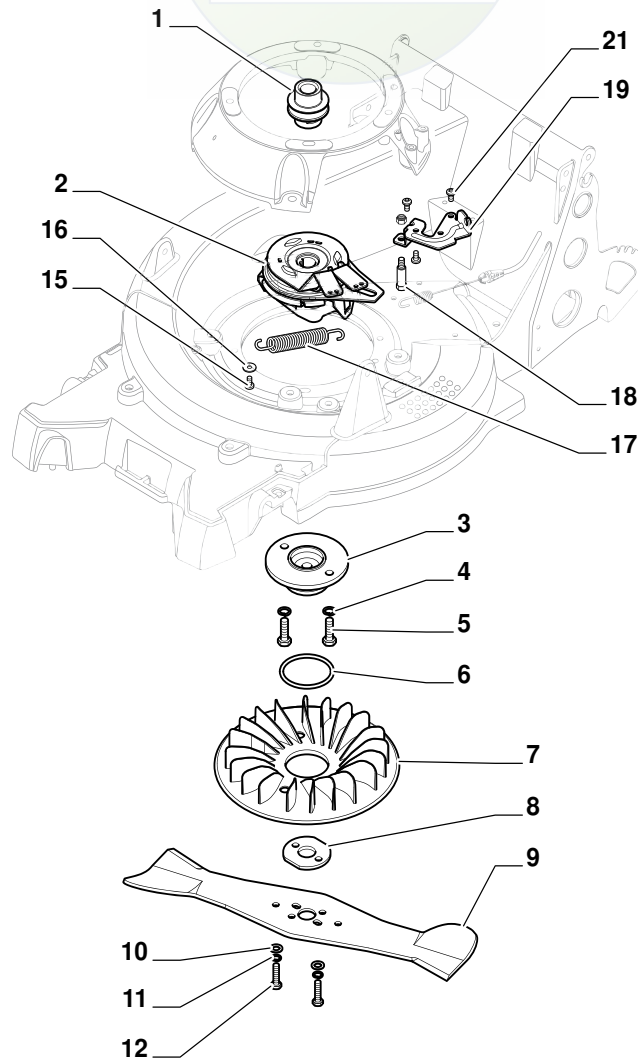
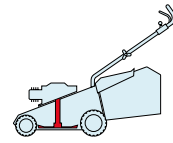
2009

91\_008

1 / 1



POS.	CODE	Q.TY	DESCRIZIONE	DESCRIPTION	DESCRIPTION	BESCHREIBUNG	REMARKS
1	122465643/0	1	Mozzo	Hub	Moyeu	Halter	
2	25489	1	Anello	Ring	Anneau	Ring	
3	25041	1	Ventola	Fan	Ventilateur	Lüfter	
4	14444	1	Flangia	Flange	Bride	Flansch	
5	122943012/0	2	Vite	Screw	Vis	Schraube	
6	5029	1	Rosetta	Washer	Rondelle	Scheibe	
7	181004149/0	1	Coltello Standard	Blade Standard	Lame Standard	Messer Standard	
8	14459	1	Rosetta	Washer	Rondelle	Scheibe	
9	112735820/0	1	Vite	Screw	Vis	Schraube	

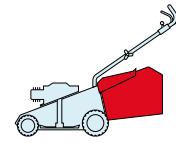


POS.	CODE	Q.TY	DESCRIZIONE	DESCRIPTION	DESCRIPTION	BESCHREIBUNG	REMARKS
1	122601924/0	1	Puleggia	Pulley	Poulie	Riemenscheibe	
2	118399051/0	1	Ass. Frizione Meccanica	Mechanical Clutch	Embrayage Mecanique	Mechanische Kupplung	
3	122465641/0	1	Mozzo	Hub	Moyeu	Halter	
4	12540070/0	2	Rosetta	Washer	Rondelle	Scheibe	
5	12794300/0	2	Vite	Screw	Vis	Schraube	
6	25489	1	Anello	Ring	Anneau	Ring	
7	25041	1	Ventola	Fan	Ventilateur	Lüfter	
8	322207335/0	1	Flangia	Flange	Bride	Flansch	
9	181004149/0	1	Coltello Standard	Blade Standard	Lame Standard	Messer Standard	
10	12521350/0	2	Rosetta	Washer	Rondelle	Scheibe	
11	12583500/0	2	Grower	Grower	Grower	Federring	
12	12793301/0	2	Vite	Screw	Vis	Schraube	
15	12735662/0	1	Vite	Screw	Vis	Schraube	
16	12523040/0	1	Rosetta	Washer	Rondelle	Scheibe	
17	122446189/0	1	Molla	Spring	Ressort	Feder	
18	125580018/0	1	Perno	Pin	Pivot	Bolzen	
19	322551667/0	1	Piastrina Fissaggio Cavo	Plate For Cable Fastening	Plaquette Fixage Câble	Platte Kabelbefestigung	
21	12735662/0	4	Vite	Screw	Vis	Schraube	

GA 534

TR

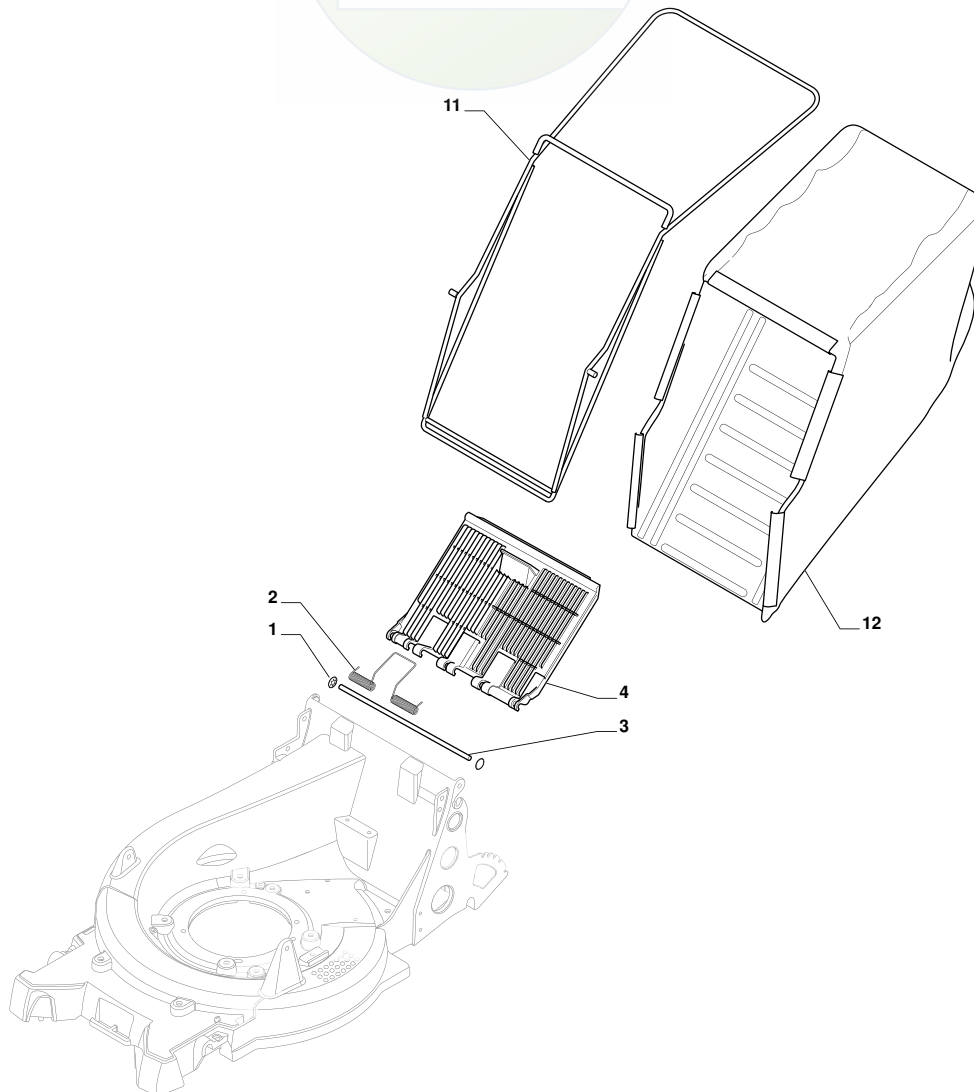
TR 3S



2009

91\_010

1 / 1



POS.	CODE	Q.TY	DESCRIZIONE	DESCRIPTION	DESCRIPTION	BESCHREIBUNG	REMARKS
1	14608	2	Fissatore A Corona	Crown Fastener	Fixateur A Couronne	Kronescheibe	
2	10850	1	Molla	Spring	Ressort	Feder	
3	10679	1	Perno	Pin	Pivot	Bolzen	
4	11189	1	Parasassi	Stone-Guard	Pare-Pierres	Prallblech	
11	14436	1	Telaio Sacco	Chassis Box	Châssis Bac	Rahmen Sack	
12	181002295/0	1	Sacco, Tela Castelgarden	Castelgarden Box, Fabric	Sac, Toile Castelgarden	Sack, Tuck Castelgarden	
12	181002296/0	1	Sacco, Tela Stiga	Box, Fabric Stiga	Sac, Toile Stiga	Sack, Tuck Stiga	