

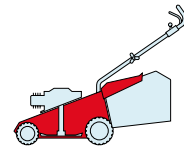
ES

ESL

414

464

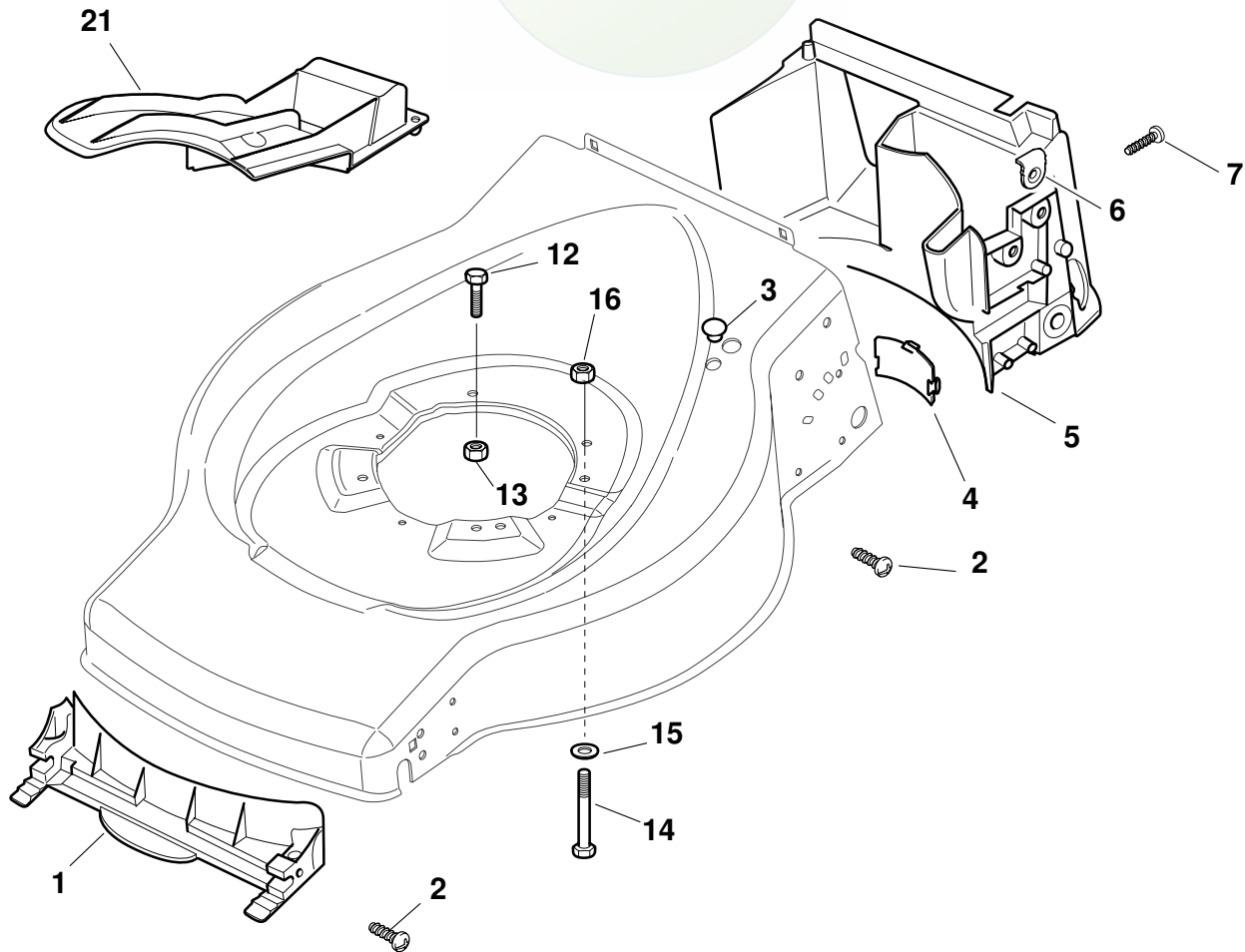
534



2009

31_001

1 / 1



POS.	CODE	Q.TY	DESCRIZIONE	DESCRIPTION	DESCRIPTION	BESCHREIBUNG	REMARKS
1	22108273/0	1	Convogl. Anteriore	Front Conveyor Assy	Ens. Convoyeur Avant	Hinterleitblechvorder	414
1	22108271/0	1	Convogl. Anteriore	Front Conveyor Assy	Ens. Convoyeur Avant	Hinterleitblechvorder	464 - 534
2	12728686/0	6	Vite	Screw	Vis	Schraube	
3	322820077/0	1	Tappo	Cap	Bouchon	Gummistopfen	464 - 534
3	322820076/0	1	Tappo	Cap	Bouchon	Gummistopfen	534
4	22109532/0	1	Coperchio Trasmissione	Cover	Couvercle	Deckel	464 - 534
5	22108274/2	1	Convogl. Posteriore	Rear Conveyor Assy	Ens. Convoyeur Post.	Hinterleitblechsatz	414
5	22108272/2	1	Convogl. Posteriore	Rear Conveyor Assy	Ens. Convoyeur Post.	Hinterleitblechsatz	464 - 534
6	322545189/0	4	Piastrina	Plate	Plaque	Plättchen	
7	12728686/0	2	Vite	Screw	Vis	Schraube	
12	12793701/0	3/2	Vite	Screw	Vis	Schraube	
13	12293201/0	3/2	Dado	Nut	Ecrou	Mutter	
14	12691800/0	0/1	Vite	Screw	Vis	Schraube	
15	12521350/0	0/1	Rosetta	Washer	Rondelle	Scheibe	
16	12155000/0	0/1	Dado	Nut	Ecrou	Mutter	
21	22140226/0	1	Deflettore	Deflector	Deflecteur	Deflektor	464
21	322140233/0	1	Deflettore	Deflector	Deflecteur	Deflektor	534

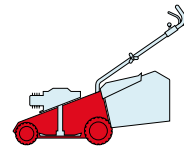
ES

ESL

414

464

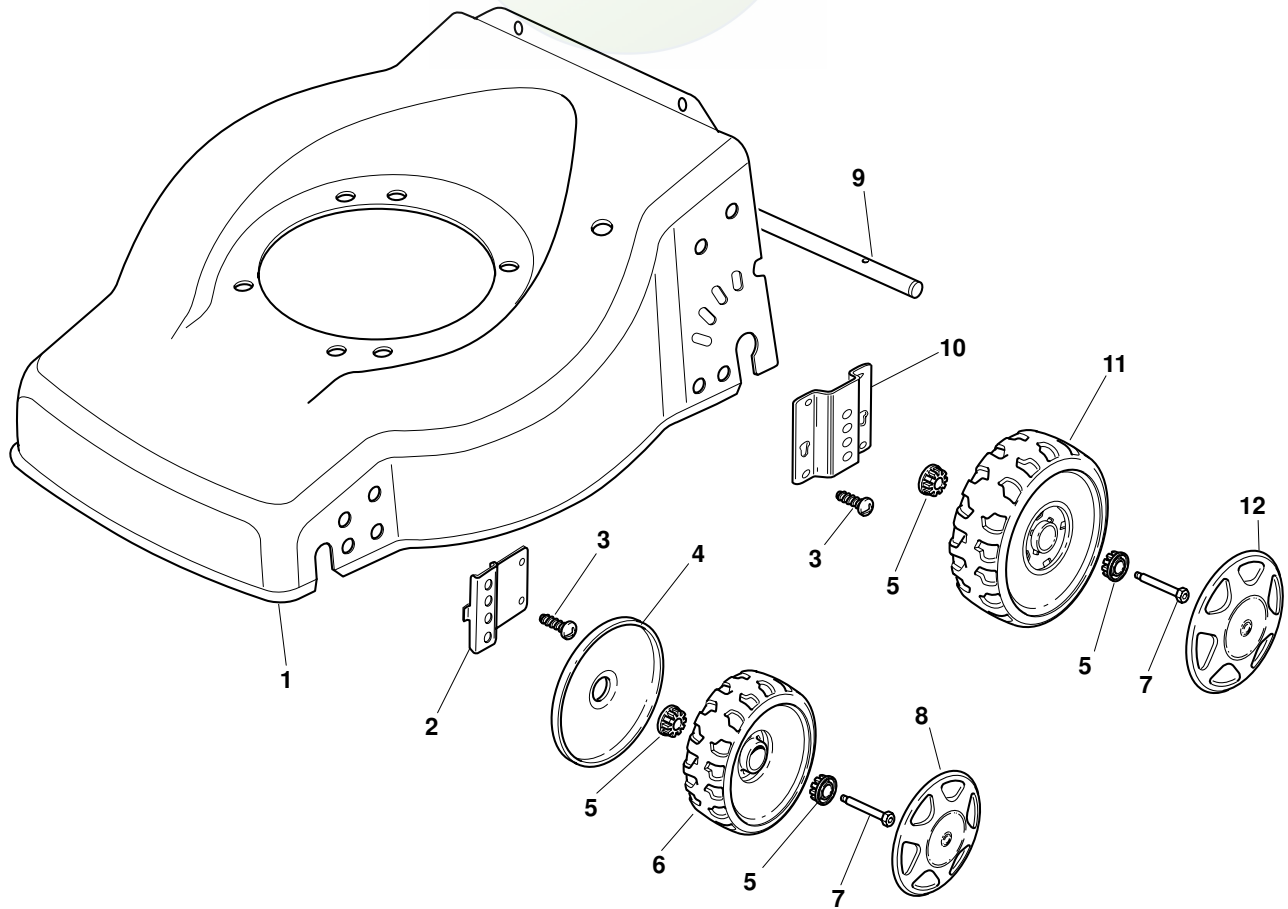
534



2009

31_002

1 / 1



POS.	CODE	Q.TY	DESCRIZIONE	DESCRIPTION	DESCRIPTION	BESCHREIBUNG	REMARKS
1	81002994/0	1	Chassis Rosso	Chassis Rosso	Châssis Rouge	Gehäuse Rot	414
1	81002652/0	1	Chassis Rosso	Chassis Rosso	Châssis Rouge	Gehäuse Rot	464
1	381003703/0	1	Chassis Rosso	Chassis Rosso	Châssis Rouge	Gehäuse Rot	534
2	22551523/0	2	Piastra Anteriore	Piastra Anteriore	Plaque Antérieure	Platte, Vorder	
3	12728686/0	4	Vite	Vite	Vis	Schraube	
4	22600095/0	2	Protezione	Protezione	Protection	Schutz	
5	22034515/1	8	Bussola	Bussola	Douille	Buchse	
6	22686091/1	2	Ruota Ø 165	Ruota Ø 165	Roue Ø 165	Rad Ø 165	
7	22524340/0	4	Perno	Perno	Pivot	Bolzen	
8	-	2	Coprimezzo	Hub Cap	Couvre-Moyeu	Radkappe	(See Enclosure 1)
9	22033374/0	1	Asse Ruote Posteriori	Axle, Rear Wheels	Axe Roues Arriere	Achse, Hinterrad	414
9	22033366/0	1	Asse Ruote Posteriori	Axle, Rear Wheels	Axe Roues Arriere	Achse, Hinterrad	464 - 534
10	22551525/0	2	Piastra Posteriore	Piastra Posteriore	Plaque Postérieure	Platte, Hinter	
11	22686092/0	2	Ruota Ø 190	Ruota Ø 190	Roue Ø190	Rad Ø 190	
12	-	2	Coprimezzo	Hub Cap	Couvre-Moyeu	Radkappe	(See Enclosure 2)

ES

ESL

2009

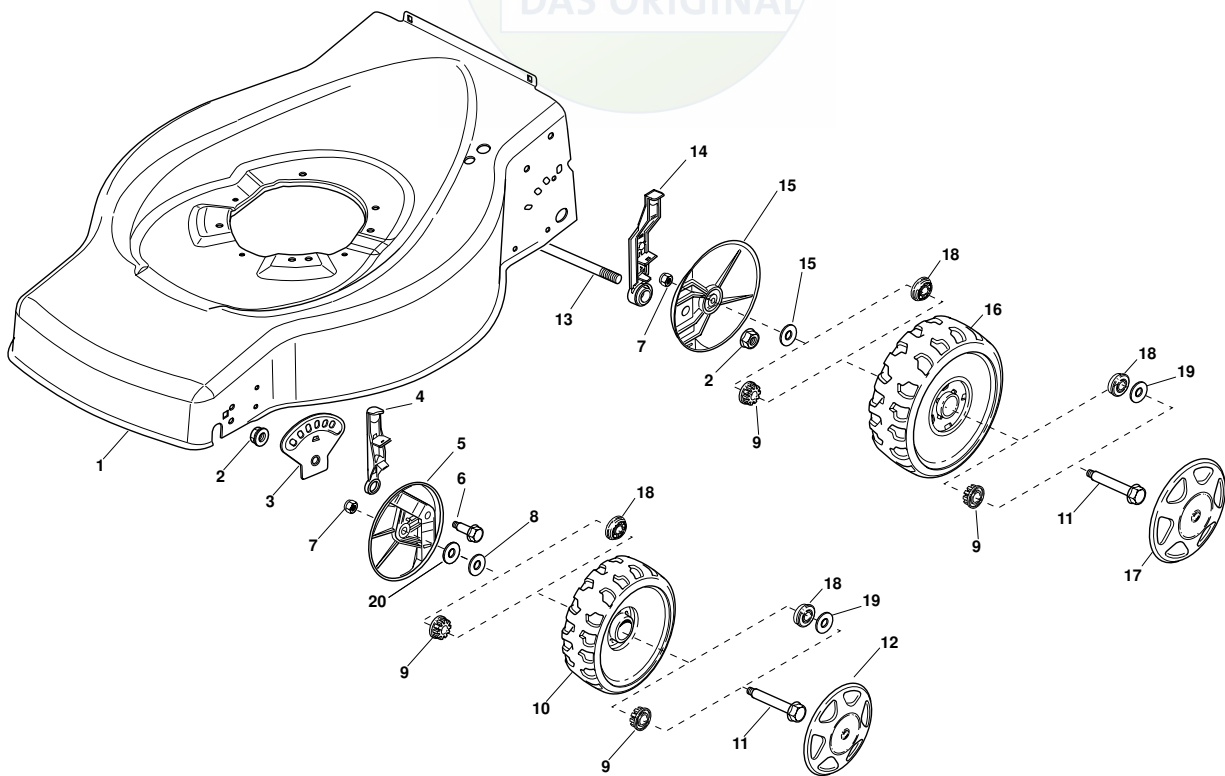
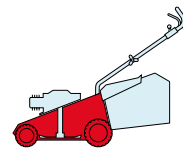
31_003

1 / 1

414

464

534



POS.	CODE	Q.TY	DESCRIZIONE	DESCRIPTION	DESCRIPTION	BESCHREIBUNG	REMARKS
1	81002994/0	1	Chassis Rosso	Deck Red	Châssis Rouge	Gehäuse Rot	414
1	81002538/0	1	Chassis Rosso	Deck Red	Châssis Rouge	Gehäuse Rot	464
1	381003703/0	1	Chassis Rosso	Chassis Rosso	Châssis Rouge	Gehäuse Rot	534
2	22131750/0	4	Dado	Nut	Ecrou	Mutter	
3	22735559/0	1	Settore Reg. Altezza, Dx	Sector, Height Adj., Righth	Secteur Regl. Hauteur, D	Sektor, Höheverstellung, R.	414
3	22735561/0	1	Settore Reg. Altezza, Sx	Sector, Height Adj., Left	Secteur Regl. Hauteur, G	Sektor, Höheverstellung, L.	414
3	22735557/0	2	Settore Di Regolazione	Sector, Height Adjustment	Secteur Reglage	Sektor, Höheverstellung	464
4	81003306/0	2	Leva Regolazione Altezza	Lever, Height Adjustment	Levier Reglage Hauteur	Hebel, Höheverstellung	
5	322600170/0	2	Prot. Ruote	Protection, Wheel	Protection Roue	Schütz, Räder	
6	22524324/0	2	Perno	Pin	Pivot	Bolzen	
7	12155000/0	4	Dado	Nut	Ecrou	Mutter	
8	25670011/0	4	Rosetta	Washer	Rondelle	Scheibe	
9	22034508/0	8	Bussola	Bush	Douille	Buchse	
10	22686091/1	2	Ruota Ø 165	Wheel Ø 165	Roue Ø 165	Rad Ø 165	
11	22524341/0	4	Perno	Pin	Pivot	Bolzen	
12	-	2	Coprimozzo	Hub Cap	Couvre-Moyeu	Radkappe	(See Enclosure 1)
13	22033367/0	1	Asse Ruote Posteriori	Axle, Rear Wheels	Axe Roues Arriere	Achse, Hinterrad	414
13	22033364/0	1	Asse Ruote Posteriori	Axle, Rear Wheels	Axe Roues Arriere	Achse, Hinterrad	464 - 534
14	81003307/0	2	Leva Regolazione Altezza	Lever, Height Adjustment	Levier Reglage Hauteur	Hebel, Höheverstellung	
15	22600098/0	2	Protezione	Protection	Protection	Schutz	
16	22686092/0	2	Ruota Ø 190	Wheel Ø 190	Roue Ø190	Rad Ø 190	
17	-	2	Coprimozzo	Hub Cap	Couvre-Moyeu	Radkappe	(See Enclosure 2)
18	22122200/0	8	Cuscinetto	Bearing	Coussinet	Lager	
19	22675100/0	4	Rosetta	Washer	Rondelle	Scheibe	
20	12530150/0	2	Rosetta	Washer	Rondelle	Scheibe	

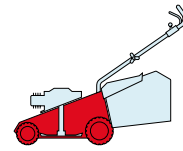
ES

ESL

414

464

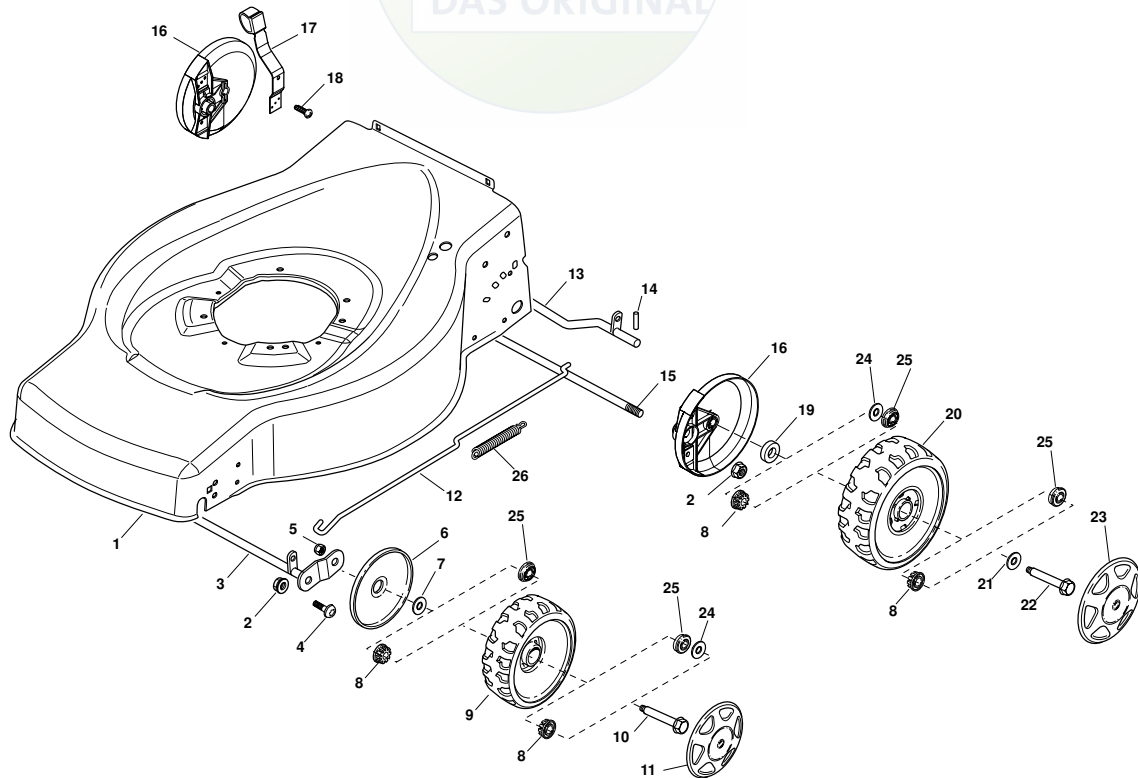
534



2009

31_004

1 / 1



POS.	CODE	Q.TY	DESCRIZIONE	DESCRIPTION	DESCRIPTION	BESCHREIBUNG	REMARKS
1	81002538/0	1	Chassis Rosso	Deck Red	Châssis Rouge	Gehäuse Rot	464
1	381003703/0	1	Chassis Rosso	Chassis Rosso	Châssis Rouge	Gehäuse Rot	534
2	22131750/0	4	Dado	Nut	Ecrou	Mutter	
3	81000153/0	1	Asse Ruote Anteriore	Axle, Front Wheels	Axe Roues Avant	Achse, Vorderrad	
4	12760600/0	2	Vite	Screw	Vis	Schraube	
5	12155000/0	2	Dado	Nut	Ecrou	Mutter	
6	22600095/0	2	Protezione	Protection	Protection	Schutz	
7	25670011/0	2	Rosetta	Washer	Rondelle	Scheibe	
8	22034508/0	8	Bussola	Bush	Douille	Buchse	
9	22686091/1	2	Ruota Ø 165	Wheel Ø 165	Roue Ø 165	Rad Ø 165	
10	22524341/0	2	Perno	Pin	Pivot	Bolzen	
11	-	2	Coprimezzo	Hub Cap	Couvre-Moyeu	Radkappe	(See Enclosure 1)
12	22033317/0	1	Asta Regolazione	Adjustment Rod	Tige Reglage	Verstellungstange	464
12	122033319/0	1	Asta Regolazione	Adjustment Rod	Tige Reglage	Verstellungstange	534
13	81000159/0	1	Asse Ruote Posteriori	Axle, Rear Wheels	Axe Roues Arriere	Achse, Hinterrad	
14	22753001/0	2	Spina	Pin	Goupille	Stift	
15	22033369/0	1	Asse Ruote Posteriori	Axle, Rear Wheels	Axe Roues Arriere	Achse, Hinterrad	
16	22600106/1	2	Prot. Ruote	Protection, Wheel	Protection Roue	Schütz, Räder	
17	81003303/0	1	Leva Regolazione Altezza	Lever, Height Adjustment	Levier Reglage Hauteur	Hebel, Höhenverstellung	
18	12728689/0	2	Vite	Screw	Vis	Schraube	
19	22170622/0	2	Distanziale	Spacer	Entretoise	Distanzring	
20	22686092/0	2	Ruota Ø 190	Wheel Ø 190	Roue Ø190	Rad Ø 190	
21	12523050/0	2	Rosetta	Washer	Rondelle	Scheibe	
22	12735599/0	2	Vite	Screw	Vis	Schraube	
23	-	2	Coprimezzo	Hub Cap	Couvre-Moyeu	Radkappe	(See Enclosure 2)
24	22675100/0	4	Rosetta	Washer	Rondelle	Scheibe	
25	22122200/0	8	Cuscinetto	Bearing	Coussinet	Lager	
26	122446186/0	1	Molla	Spring	Ressort	Feder	534

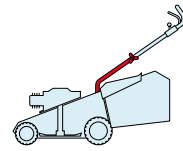
ES

ESL

414

464

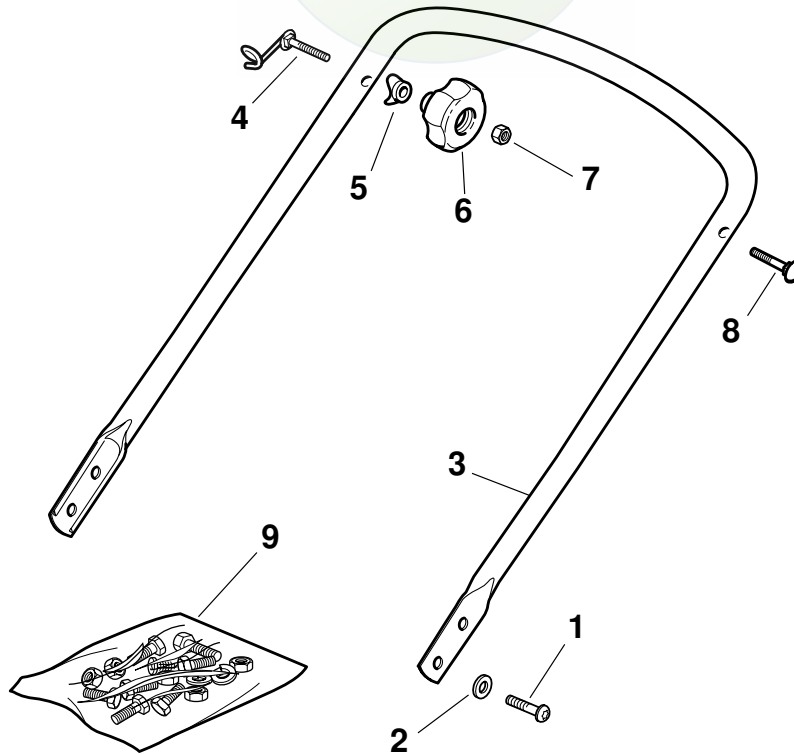
534



2009

31_005

1 / 1



POS.	CODE	Q.TY	DESCRIZIONE	DESCRIPTION	DESCRIPTION	BESCHREIBUNG	REMARKS
1	12760605/0	4	Vite	Screw	Vis	Schraube	
2	12521350/0	4	Rosetta	Washer	Rondelle	Scheibe	
3	81006568/0	1	Manico, Parte Inf	Handle, Lower Part	Mancheron, Partie Inf.	Holm, Unterteil	414
3	81006570/0	1	Manico, Parte Inf	Handle, Lower Part	Mancheron, Partie Inf.	Holm, Unterteil	464
3	381006686/0	1	Manico, Parte Inf	Handle, Lower Part	Mancheron, Partie Inf.	Holm, Unterteil	534
4	81003801/1	1	Molla Guida	Guide Spring	Ressort De Guide	Feder Führer	
5	22680006/1	2	Rosetta	Washer	Rondelle	Scheibe	
6	322399804/1	2	Manopolina	Knob	Poignée	Griff	
7	12293200/0	2	Dado	Nut	Ecrou	Mutter	
8	12819201/0	1	Vite	Screw	Vis	Schraube	
9	81008648/1	1	Dotazione Viteria	Outfit, Screws	Dotation Visserie	Satz, Schrauben	

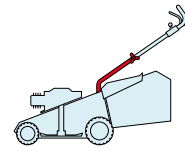
ES

ESL

414

464

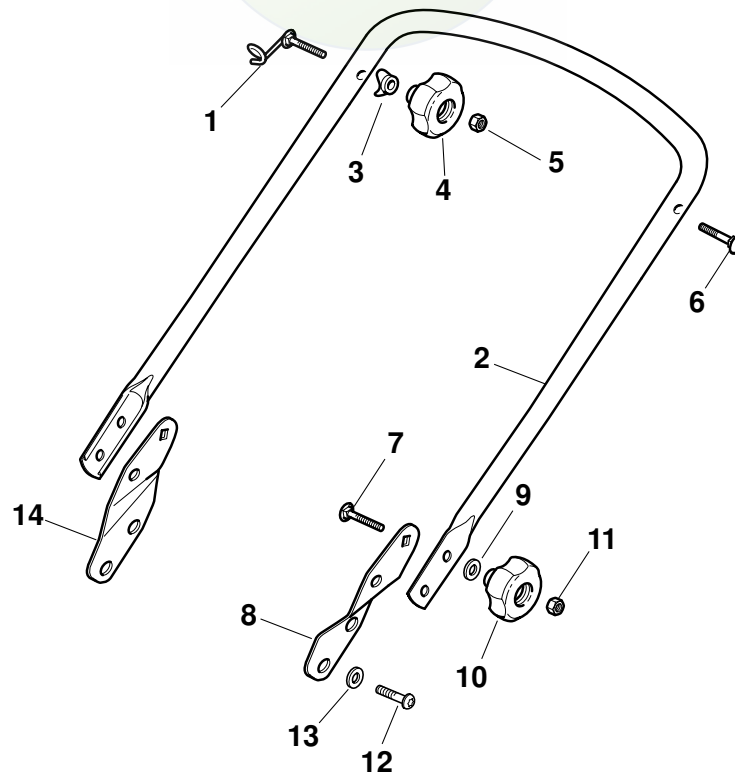
534



2009

31_006

1 / 1



POS.	CODE	Q.TY	DESCRIZIONE	DESCRIPTION	DESCRIPTION	BESCHREIBUNG	REMARKS
1	81003801/1	1	Molla Guida	Guide Spring	Ressort De Guide	Feder Führer	464 - 534
2	81006576/0	1	Manico, Parte Inf	Handle, Lower Part	Mancheron, Partie Inf.	Holm, Unterteil	464
2	381006687/0	1	Manico, Parte Inf	Handle, Lower Part	Mancheron, Partie Inf.	Holm, Unterteil	534
3	22680006/1	2	Rosetta	Washer	Rondelle	Scheibe	464 - 534
4	322399804/1	2	Manopolina	Knob	Poignée	Griff	464 - 534
5	12293200/0	2	Dado	Nut	Ecrou	Mutter	464 - 534
6	12819201/0	1	Vite	Screw	Vis	Schraube	464 - 534
7	12818900/0	2	Vite	Screw	Vis	Schraube	464 - 534
8	22778425/0	1	Staffa Sx	Bracket, L	Bride G	Pratze, Linke	464 - 534
9	22671653/0	2	Rosetta	Washer	Rondelle	Scheibe	464 - 534
10	322399804/1	2	Manopolina	Knob	Poignée	Griff	464 - 534
11	12293200/0	2	Dado	Nut	Ecrou	Mutter	464 - 534
12	12760605/0	4	Vite	Screw	Vis	Schraube	464 - 534
13	12521350/0	4	Rosetta	Washer	Rondelle	Scheibe	464 - 534
14	22778423/0	1	Staffa Dx	Bracket, R	Bride D	Pratze, Rechte	464 - 534

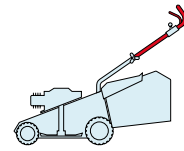
ES

ESL

414

464

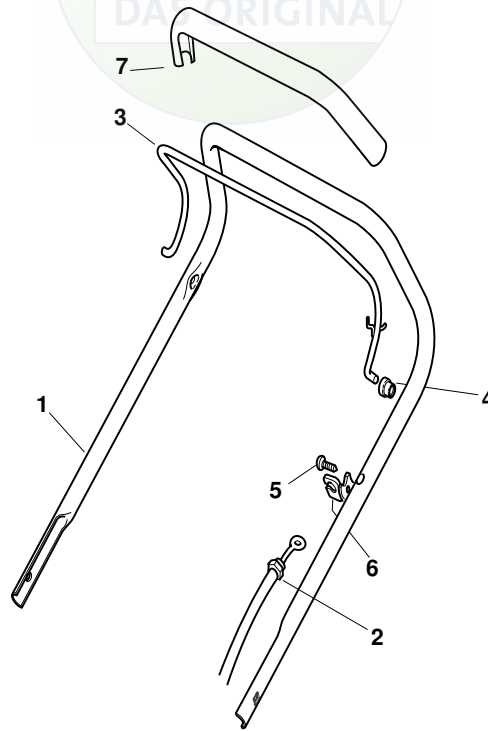
534



2009

31_007

1 / 1



POS.	CODE	Q.TY	DESCRIZIONE	DESCRIPTION	DESCRIPTION	BESCHREIBUNG	REMARKS
1	81007018/1	1	Manico, Parte Sup	Handle, Upper Part	Mancheron, Partie Supérieure	Holm, Oberteil	
2	81000611/0	1	Cavo Freno Motore	Cable, Thread Engine Brake	Cable Frein Moteur	Kabel, Motorbremse	414 (Ggp 150cc)
2	81000757/0	1	Cavo Freno Motore	Cable, Thread Engine Brake	Cable Frein Moteur	Kabel, Motorbremse	414 (B&S 450-500 Series)
2	81000616/1	1	Cavo Freno Motore	Cable, Thread Engine Brake	Cable Frein Moteur	Kabel, Motorbremse	414 (Ggp 140cc)
2	81000616/1	1	Cavo Freno Motore	Cable, Thread Engine Brake	Cable Frein Moteur	Kabel, Motorbremse	414 (Ggp 160cc)
2	81000616/1	1	Cavo Freno Motore	Cable, Thread Engine Brake	Cable Frein Moteur	Kabel, Motorbremse	414 (Honda Gcv 135)
2	81000616/1	1	Cavo Freno Motore	Cable, Thread Engine Brake	Cable Frein Moteur	Kabel, Motorbremse	414 (B&S 450-500 Series)
2	81000616/1	1	Cavo Freno Motore	Cable, Thread Engine Brake	Cable Frein Moteur	Kabel, Motorbremse	464 (B&S 625-675 Series)
2	81000616/1	1	Cavo Freno Motore	Cable, Thread Engine Brake	Cable Frein Moteur	Kabel, Motorbremse	464 (Ggp 140cc)
2	81000622/2	1	Cavo Freno Motore	Cable, Thread Engine Brake	Cable Frein Moteur	Kabel, Motorbremse	464 (Ggp 150cc)
2	81000616/1	1	Cavo Freno Motore	Cable, Thread Engine Brake	Cable Frein Moteur	Kabel, Motorbremse	464 (Ggp 160cc)
2	81000616/1	1	Cavo Freno Motore	Cable, Thread Engine Brake	Cable Frein Moteur	Kabel, Motorbremse	464 (Honda Gcv 135-160)
2	181000761/0	1	Cavo Freno Motore	Cable, Thread Engine Brake	Cable Frein Moteur	Kabel, Motorbremse	534 (B&S 450-500 Series)
2	81000760/0	1	Cavo Freno Motore	Cable, Thread Engine Brake	Cable Frein Moteur	Kabel, Motorbremse	534 (B&S 625-675 Series)
2	81000760/0	1	Cavo Freno Motore	Cable, Thread Engine Brake	Cable Frein Moteur	Kabel, Motorbremse	534 (Ggp 140cc)
2	81000622/2	1	Cavo Freno Motore	Cable, Thread Engine Brake	Cable Frein Moteur	Kabel, Motorbremse	534 (Ggp 150cc)
2	81000760/0	1	Cavo Freno Motore	Cable, Thread Engine Brake	Cable Frein Moteur	Kabel, Motorbremse	534 (Ggp 160cc)
2	81000760/0	1	Cavo Freno Motore	Cable, Thread Engine Brake	Cable Frein Moteur	Kabel, Motorbremse	534 (Ggp 196cc)
2	181000761/0	1	Cavo Freno Motore	Cable, Thread Engine Brake	Cable Frein Moteur	Kabel, Motorbremse	534 (Honda Gcv 135-160-190)
3	81003291/3	1	Leva Freno Motore	Lever, Engine Brake	Levier Frein Moteur	Hebel, Motorbremse	
4	22041966/0	2	Bussola	Bush	Douille	Buchse	
5	12728518/0	1	Vite	Screw	Vis	Schraube	
6	22806612/0	1	Supporto	Support	Support	Halter	
7	22291050/0	1	Impugnatura Manico Nera	Handgrip Black	Poignée Noire	Handgriff Schwarz	

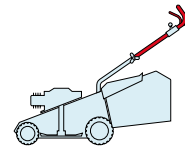
ES

ESL

414

464

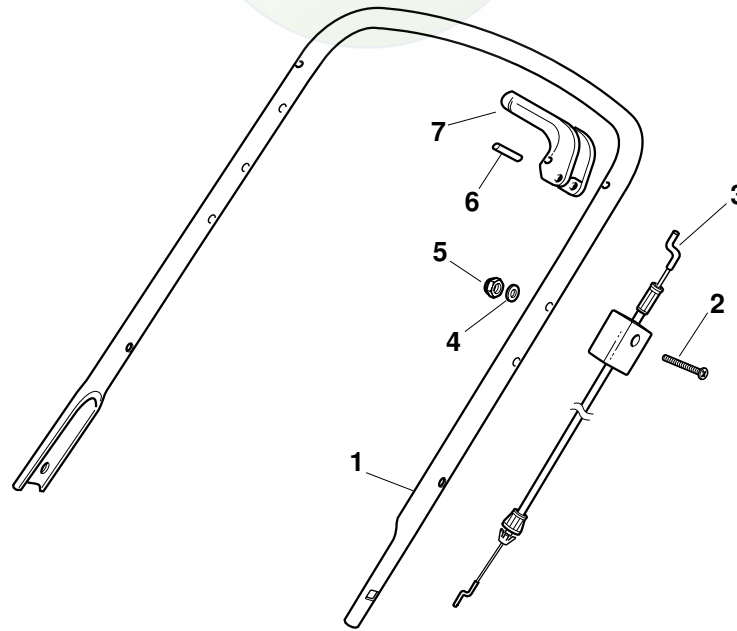
534



2009

31_008

1 / 1



POS.	CODE	Q.TY	DESCRIZIONE	DESCRIPTION	DESCRIPTION	BESCHREIBUNG	REMARKS
1	81006577/0	1	Manico, Parte Sup	Handle, Upper Part	Mancheron, Partie Sup.	Holm, Oberteil	
2	12674700/0	1	Vite	Screw	Vis	Schraube	
3	81000655/0	1	Cavo Freno Motore	Cable, Thread Eng. Brake	Cable Frein Moteur	Kabel, Motorbremse	414 (B&S 450-500 Series)
3	81000612/0	1	Cavo Freno Motore	Cable, Thread Eng. Brake	Cable Frein Moteur	Kabel, Motorbremse	414 (Ggp 150cc)
3	81000681/0	1	Cavo Freno Motore	Cable, Thread Eng. Brake	Cable Frein Moteur	Kabel, Motorbremse	414 (Honda Gcv 135-160-190)
3	81000655/0	1	Cavo Freno Motore	Cable, Thread Eng. Brake	Cable Frein Moteur	Kabel, Motorbremse	464 (B&S 450-500 Series)
3	181000617/0	1	Cavo Freno Motore	Cable, Thread Eng. Brake	Cable Frein Moteur	Kabel, Motorbremse	464 (B&S 625-675 Series)
3	81000612/0	1	Cavo Freno Motore	Cable, Thread Eng. Brake	Cable Frein Moteur	Kabel, Motorbremse	464 (Ggp 150cc)
3	81000655/0	1	Cavo Freno Motore	Cable, Thread Eng. Brake	Cable Frein Moteur	Kabel, Motorbremse	464 (Honda Gcv 135-160-190)
3	181030003/0	1	Cavo Freno Motore	Cable, Thread Eng. Brake	Cable Frein Moteur	Kabel, Motorbremse	534 (B&S 450-500 Series)
3	181030004/0	1	Cavo Freno Motore	Cable, Thread Eng. Brake	Cable Frein Moteur	Kabel, Motorbremse	534 (B&S 675 Series)
3	181030005/0	1	Cavo Freno Motore	Cable, Thread Eng. Brake	Cable Frein Moteur	Kabel, Motorbremse	534 (Ggp 150cc)
3	181030004/0	1	Cavo Freno Motore	Cable, Thread Eng. Brake	Cable Frein Moteur	Kabel, Motorbremse	534 (Ggp 160cc)
3	181030004/0	1	Cavo Freno Motore	Cable, Thread Eng. Brake	Cable Frein Moteur	Kabel, Motorbremse	534 (Honda Gcv 135-160-190)
4	12521330/0	1	Rosetta	Washer	Rondelle	Scheibe	
5	12292100/0	1	Dado	Nut	Ecrou	Mutter	
6	12645710/0	1	Spina	Pin	Goupille	Stift	
7	322321700/1	1	Leva Freno Motore	Lever, Eng. Brake	Levier Frein Moteur	Hebel, Motorbremse	

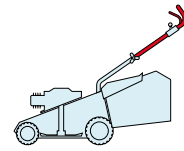
ES

ESL

414

464

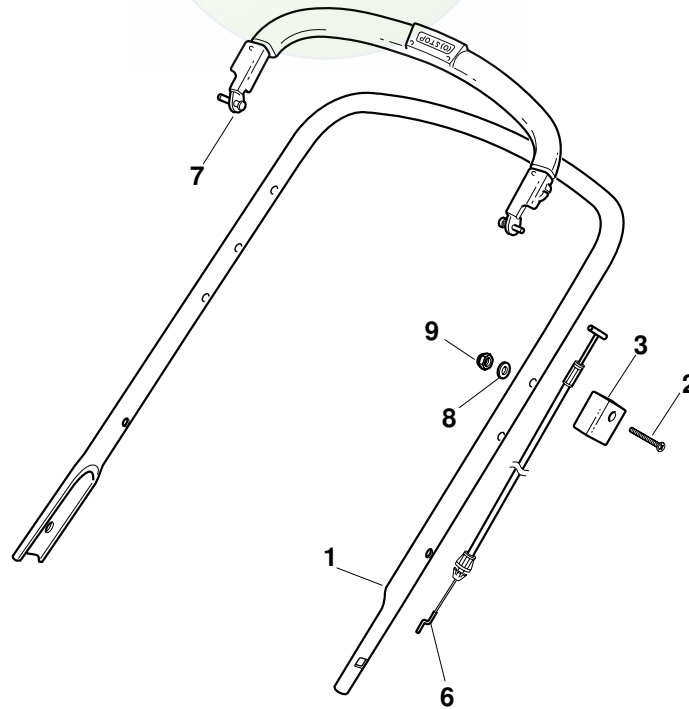
534



2009

31_009

1 / 1



POS.	CODE	Q.TY	DESCRIZIONE	DESCRIPTION	DESCRIPTION	BESCHREIBUNG	REMARKS
1	381006579/1	1	Manico, Parte Sup	Handle, Upper Part	Mancheron, Partie Sup.	Holm, Oberteil	
2	12689500/0	1	Vite	Screw	Vis	Schraube	
3	22551640/0	1	Piastrina	Plate	Plaquette	Plättchen	
6	81000657/0	1	Cavo Freno Motore	Cable, Thread Eng. Brake	Cable Frein Moteur	Kabel, Motorbremse	414 (B&S 450-500 Series)
6	81000657/0	1	Cavo Freno Motore	Cable, Thread Eng. Brake	Cable Frein Moteur	Kabel, Motorbremse	414 (Honda Gcv 135-160-190)
6	81000657/0	1	Cavo Freno Motore	Cable, Thread Eng. Brake	Cable Frein Moteur	Kabel, Motorbremse	464 (B&S 450-500 Series)
6	81000720/1	1	Cavo Freno Motore	Cable, Thread Eng. Brake	Cable Frein Moteur	Kabel, Motorbremse	464 (B&S 625-675 Series)
6	181030002/0	1	Cavo Freno Motore	Cable, Thread Eng. Brake	Cable Frein Moteur	Kabel, Motorbremse	464 (Ggp 140cc)
6	81000743/0	1	Cavo Freno Motore	Cable, Thread Eng. Brake	Cable Frein Moteur	Kabel, Motorbremse	464 (Ggp 150cc)
6	181030002/0	1	Cavo Freno Motore	Cable, Thread Eng. Brake	Cable Frein Moteur	Kabel, Motorbremse	464 (Ggp 160cc)
6	81000657/0	1	Cavo Freno Motore	Cable, Thread Eng. Brake	Cable Frein Moteur	Kabel, Motorbremse	464 (Honda Gcv 135-160-190)
6	181030001/0	1	Cavo Freno Motore	Cable, Thread Eng. Brake	Cable Frein Moteur	Kabel, Motorbremse	534 (B&S 450-500 Series)
6	181030001/0	1	Cavo Freno Motore	Cable, Thread Eng. Brake	Cable Frein Moteur	Kabel, Motorbremse	534 (B&S 625-675 Series)
6	181030001/0	1	Cavo Freno Motore	Cable, Thread Eng. Brake	Cable Frein Moteur	Kabel, Motorbremse	534 (Ggp 140cc)
6	181030000/0	1	Cavo Freno Motore	Cable, Thread Eng. Brake	Cable Frein Moteur	Kabel, Motorbremse	534 (Ggp 150cc)
6	181030001/0	1	Cavo Freno Motore	Cable, Thread Eng. Brake	Cable Frein Moteur	Kabel, Motorbremse	534 (Ggp 160cc)
6	181030001/0	1	Cavo Freno Motore	Cable, Thread Eng. Brake	Cable Frein Moteur	Kabel, Motorbremse	534 (Ggp 196cc)
6	181030001/0	1	Cavo Freno Motore	Cable, Thread Eng. Brake	Cable Frein Moteur	Kabel, Motorbremse	534 (Honda Gcv 135-160-190)
7	81003298/1	1	Leva Freno Motore	Lever, Rng. Brake	Levier Frein Moteur	Hebel, Motorbremse	
8	12521330/0	1	Rosetta	Washer	Rondelle	Scheibe	
9	12292100/0	1	Dado	Nut	Ecrou	Mutter	

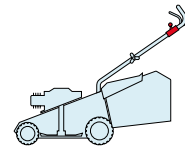
ES

ESL

414

464

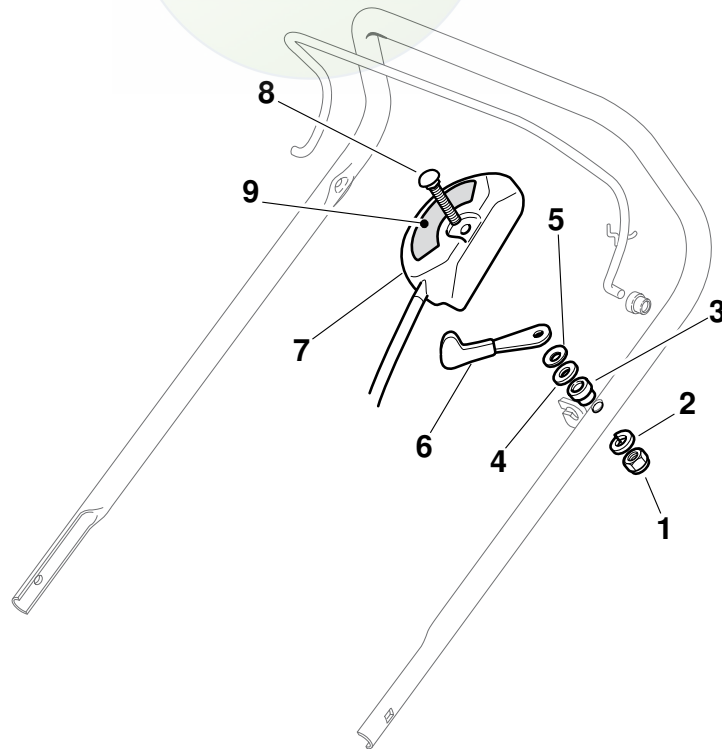
534



2009

31_010

1 / 1



POS.	CODE	Q.TY	DESCRIZIONE	DESCRIPTION	DESCRIPTION	BESCHREIBUNG	REMARKS
1	12291000/0	1	Dado	Nut	Ecrou	Mutter	
2	12581500/0	1	Grower	Grower	Grower	Federring	
3	22171005/0	1	Distanziale	Spacer	Entretoise	Distanzring	
4	12521360/0	1	Rosetta	Washer	Rondelle	Scheibe	
5	12508100/0	1	Rosetta Elastica	Spring Washer	Rondelle Elastique	Elastische Scheibe	
6	81007279/1	1	Leva, Acceleratore	Lever, Throttle	Levier, Accelérateur	Hebel, Beschleuniger	(B&S 625-675-700 Series - Honda - Ggp 140-160-196 cc)
6	81007220/0	1	Leva, Acceleratore	Lever, Throttle	Levier, Accelérateur	Hebel, Beschleuniger	(B&S 450-500 Series - Ggp 150 cc)
7	81007080/0	1	Cavo Acceleratore	Throttle Cable	Cable, Accelérateur	Gashebel Kabel	
8	12815000/0	1	Vite	Screw	Vis	Schraube	
9	14356703/0	1	Etichetta	Label	Etiquette	Etikette	(B&S)
9	114356905/0	1	Etichetta	Label	Etiquette	Etikette	(B&S 700 series DOV)
9	14356702/0	1	Etichetta	Label	Etiquette	Etikette	(GGP)
9	114364264/0	1	Etichetta	Label	Etiquette	Etikette	AVS (GGP 160-196)
9	14356702/0	1	Etichetta	Label	Etiquette	Etikette	(Honda)
9	114356905/0	1	Etichetta	Label	Etiquette	Etikette	(Honda GCV 160-190 Autochoke)

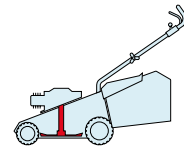
ES

ESL

414

464

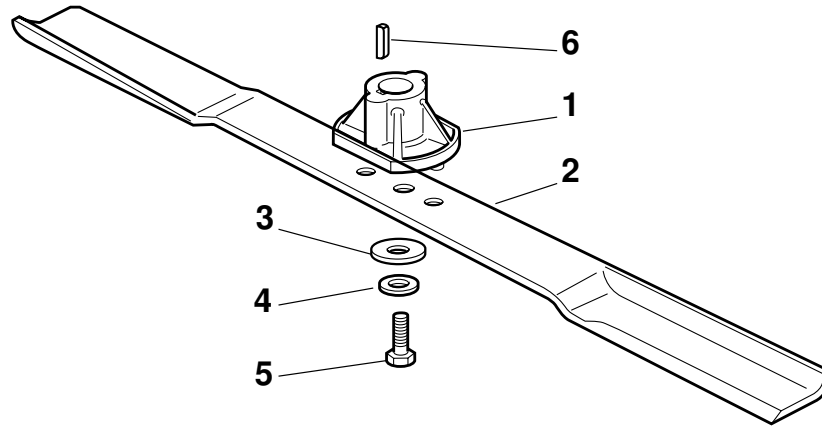
534



2009

31_011

1 / 1



POS.	CODE	Q.TY	DESCRIZIONE	DESCRIPTION	DESCRIPTION	BESCHREIBUNG	REMARKS
1	22463012/2	1	Mozzo, Albero Motore Ø 22.2	Hub, Crankshaft Ø 22.2	Moyeu, Arbre Moteur Ø 22.2	Halter, Motorwelle Ø 22.2	
1	122463020/1	1	Mozzo, Albero Motore Ø 25	Hub, Crankshaft Ø 25	Moyeu, Arbre Moteur Ø 25	Halter, Motorwelle Ø 25	
2	81004360/3	1	Coltello Standard	Blade Standard	Lame Standard	Messer Standard	414
2	81004365/3	1	Coltello Standard	Blade Standard	Lame Standard	Messer Standard	464
2	81004381/1	1	Coltello Standard	Blade Standard	Lame Standard	Messer Standard	534
3	22160400/0	1	Disco Elastico	Elastic Washer	Rondelle Elastique	Elastischescheibe	
4	12523080/0	1	Rosetta	Washer	Rondelle	Scheibe	
5	12735698/0	1	Vite	Screw	Vis	Schraube	
6	12139100/0	1	Linguetta, Albero Motore Ø 22.2	Feather, Crankshaft Ø 22.2	Clavette, Arbre Moteur Ø 22.2	Keil, Motorwelle Ø 22.2	
6	12139150/0	1	Linguetta, Albero Motore Ø 25	Feather, Crankshaft Ø 25	Clavette, Arbre Moteur Ø 25	Keil, Motorwelle Ø 25	

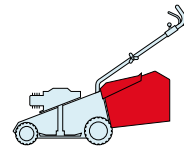
ES

ESL

414

464

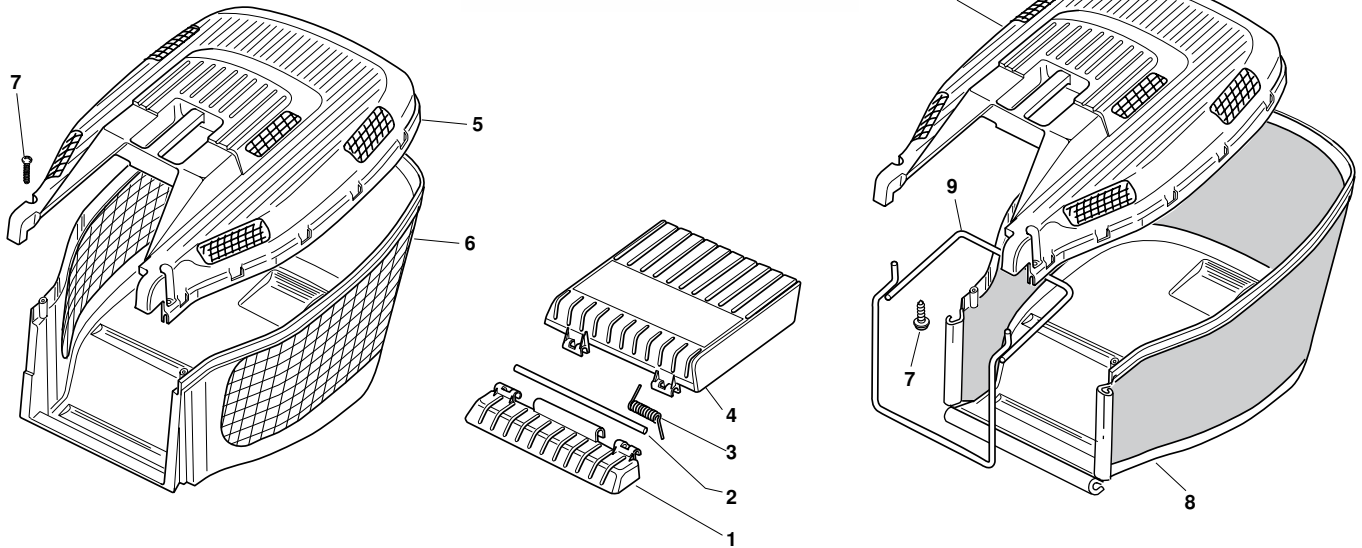
534



2009

31_012

1 / 1



POS.	CODE	Q.TY	DESCRIZIONE	DESCRIPTION	DESCRIPTION	BESCHREIBUNG	REMARKS
1	22785136/1	1	Supporto	Support	Support	Halter	
2	22517858/0	1	Perno	Pin	Pivot	Bolzen	
3	22450431/0	1	Molla	Spring	Ressort	Feder	
4	322600099/1	1	Parasassi	Stone-Guard	Pare-Pierres	Prallblech	
5	22486122/0	1	Parte Sup.Sacco	Grassbox Upper Part	Sac, Partie Superieure	Korb Oberteil	
6	22486128/0	1	Parte Infer. Sacco	Grassbox Lower Part	Sac, Partie Inferieure	Korb Unterteil	
7	12728686/0	2	Vite	Screw	Vis	Schraube	
8	81002229/0	1	Sacco, Tela	Box, Fabric	Sac, Toile	Sack, Tuck	
9	81006419/0	1	Telaio Sacco	Chassis Box	Châssis Bac	Rahmen Sack	