

ILLUSTRATED PARTS LIST

ESL 464 TR

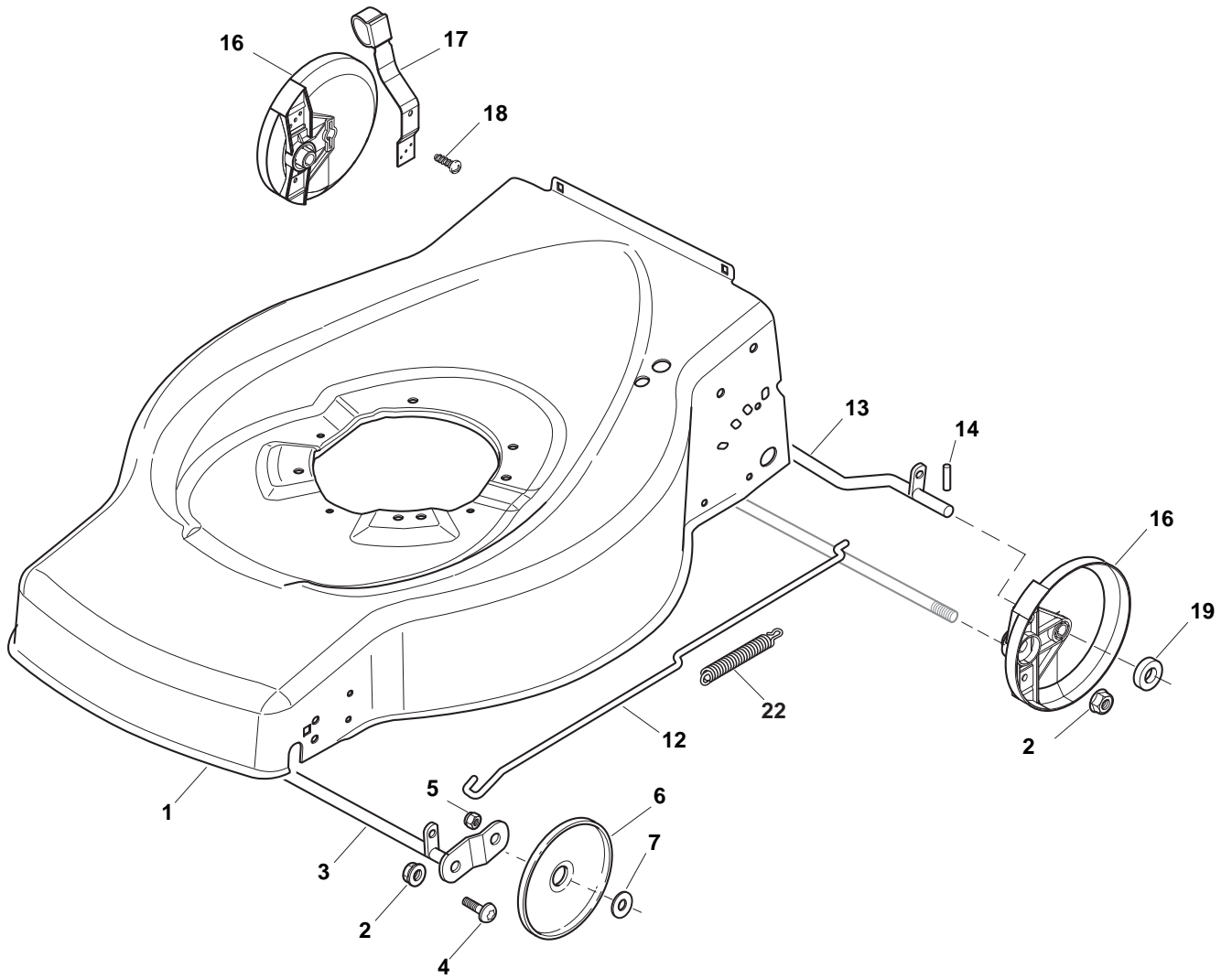


- Use GLOBAL GARDEN PRODUCT Genuine Spare Parts specified in the parts list for repair and/or replacement.
- The contents described in the parts list may change due to improvement.
- The drawings of the spare parts are only indicative and might not represent the part in question exactly.
- The indications "right" - "left" - "front" - "rear" refer to the position of the operator when using the machine.
- When placing orders of parts for repair and/or replacement, make sure that the illustrated parts list is the one applying to the machine's year of manufacture, as shown on the identification plate attached to the machine.

© Copyright 2014 Global Garden Products

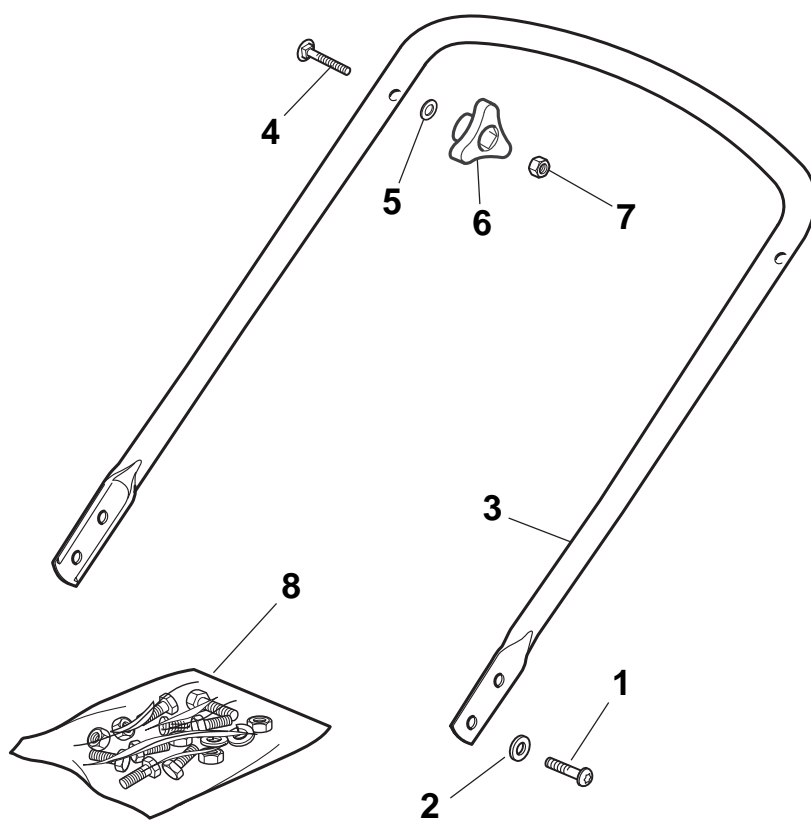
All content is subject to copyright by Global Garden Products and may not be reproduced in whole or in part by any means, electronic or otherwise, without prior written approval.

THIS INFORMATION IS NOT INTENDED FOR SALE OR RESALE, AND THIS NOTICE MUST REMAIN ON ALL COPIES.



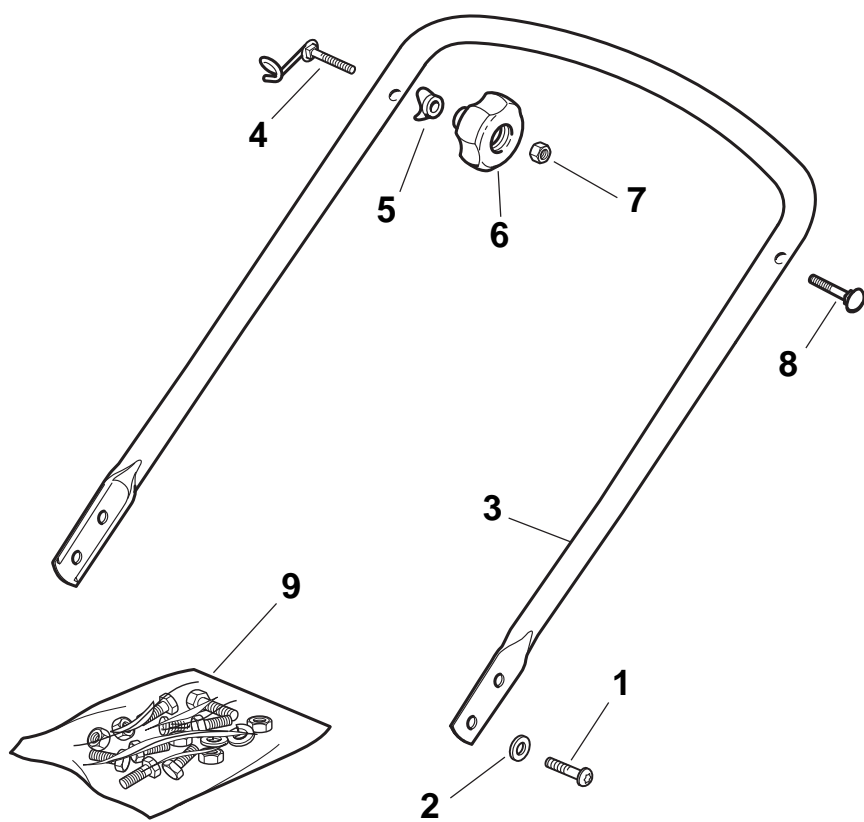
Deck And Height Adjusting

POS	PART. NO	Q.ty	DESCRIPTION	DESCRIZIONE	DESCRIPTION	BESCHREIBUNG	REMARKS
1	381002538/0	1	Deck Red	Chassis Rosso	Châssis Rouge	Gehäuse Rot	
1	381004745/0	1	Deck Grey	Chassis Grigio	Châssis Gris	Gehäuse Grau	
2	122131750/0	2	Nut	Dado	Ecrou	Mutter	
3	381000153/0	1	Axle, Front Wheels	Asse Ruote Anteriori	Axe Roues Avant	Achse, Vorderrad	
4	112760600/0	2	Screw	Vite	Vis	Schraube	
5	112155000/0	2	Nut	Dado	Ecrou	Mutter	
6	322600095/0	2	Protection, Wheel	Protezione Ruote	Protection Roue	Schütz, Räder	
7	325670011/0	2	Washer	Rosetta	Rondelle	Scheibe	
12	122033317/0	1	Adjustment Rod	Asta Regolazione	Tige Reglage	Verstellungstange	
13	381000159/0	2	Axle, Rear Wheels	Asse Ruote Posteriore	Axe Roues Arriere	Achse, Hinterrad	
14	122753001/0	2	Pin	Perno	Pivot	Bolzen	
16	322600106/1	2	Protection, Wheel	Protezione Ruote	Protection Roue	Schütz, Räder	
17	381003303/0	1	Lever, Height Adjustment	Leva Regolazione Altezza	Levier Reglage Hauteur	Hebel, Höneverstellung	
18	112728689/0	2	Screw	Vite	Vis	Schraube	
19	322170622/0	4	Spacer	Distanziale	Entretoise	Distanzring	



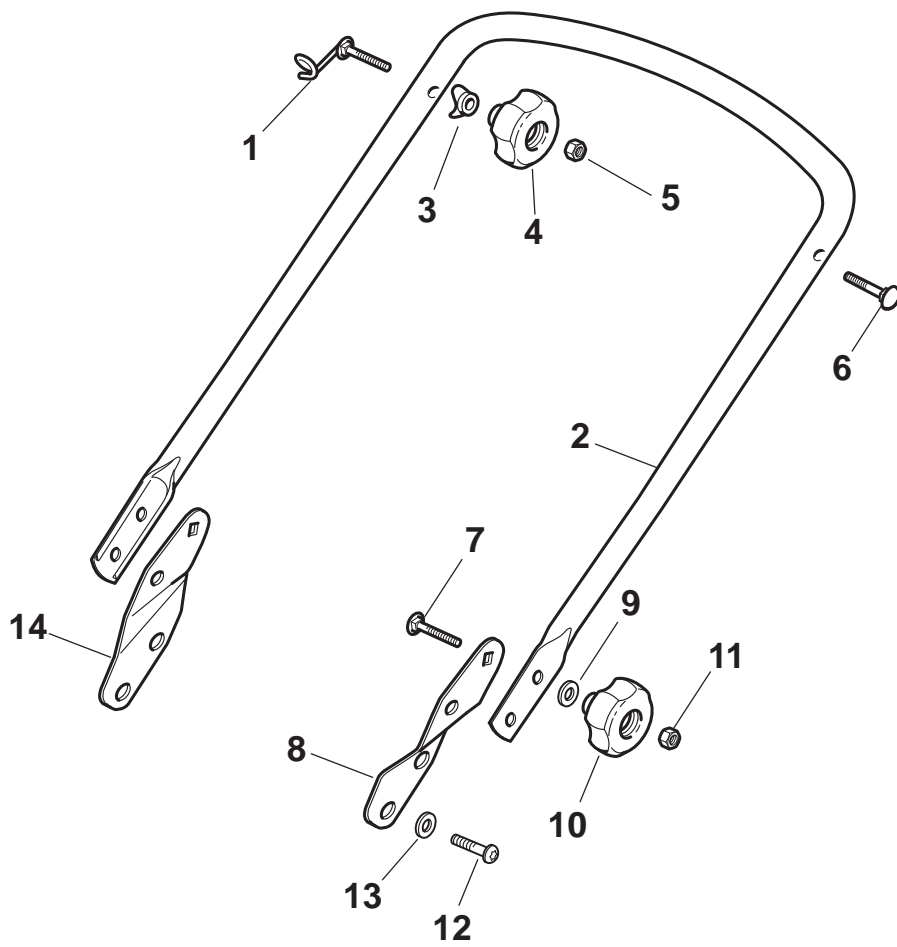
Handle, Lower Part

POS	PART. NO	Q.ty	DESCRIPTION	DESCRIZIONE	DESCRIPTION	BESCHREIBUNG	REMARKS
1	112760605/0	4	Screw	Vite	Vis	Schraube	
2	112521350/0	4	Washer	Rosetta	Rondelle	Scheibe	
3	381006570/0	1	Handle, Lower Part	Manico, Parte Inferiore	Mancheron, Partie Inferieure	Holm, Unterteil	Black
3	381007544/0	1	Handle, Lower Part	Manico, Parte Inferiore	Mancheron, Partie Inferieure	Holm, Unterteil	Yellow
4	112819120/0	1	Guide Spring	Molla Guida	Ressort De Guide	Feder Führer	
5	122671651/0	2	Washer	Rosetta	Rondelle	Scheibe	
6	122399900/0	2	Knob	Manopolina	Poignée	Griff	
7	112293200/0	2	Nut	Dado	Ecrou	Mutter	
8	381008696/0	1	Outfit, Screws	Dotazione Viteria	Dotation Visserie	Satz, Schrauben	

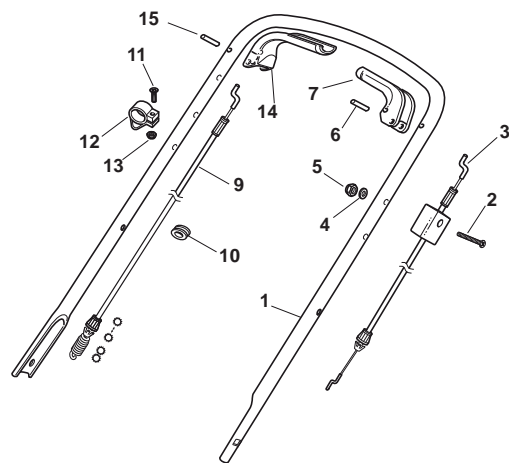


Handle, Lower Part

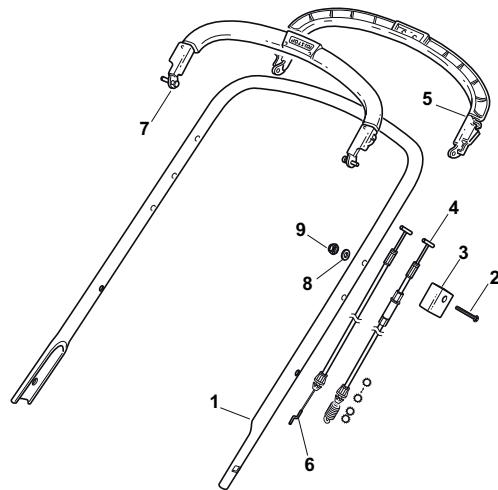
POS	PART. NO	Q.ty	DESCRIPTION	DESCRIZIONE	DESCRIPTION	BESCHREIBUNG	REMARKS
1	112760605/0	4	Screw	Vite	Vis	Schraube	
2	112521350/0	4	Washer	Rosetta	Rondelle	Scheibe	
3	381006570/0	1	Handle, Lower Part	Manico, Parte Inferiore	Mancheron, Partie Inferieure	Holm, Unterteil	
4	181003801/1	1	Guide Spring	Molla Guida	Ressort De Guide	Feder Führer	
5	122680006/1	2	Washer	Rosetta	Rondelle	Scheibe	
6	322399804/1	2	Knob	Manopolina	Poignée	Griff	
7	112293200/0	2	Nut	Dado	Ecrou	Mutter	
8	112819201/0	1	Screw	Vite	Vis	Schraube	
9	381008648/1	1	Outfit, Screws	Dotazione Viteria	Dotation Visserie	Satz, Schrauben	



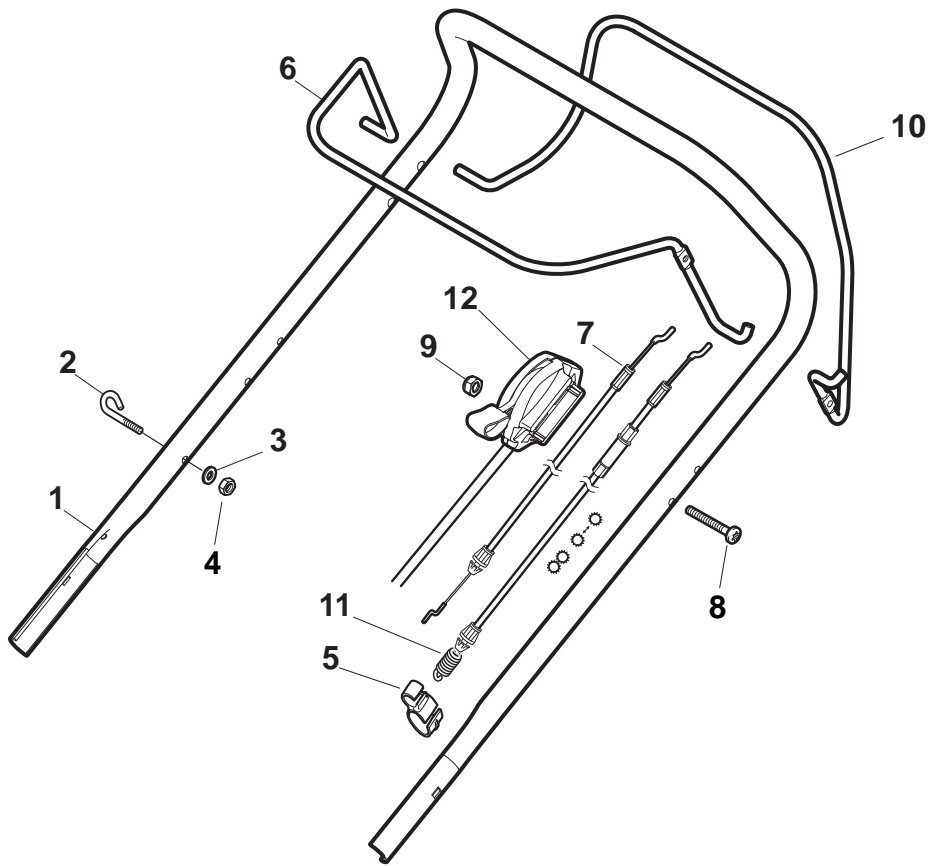
Handle, Lower Part							
POS	PART. NO	Q.ty	DESCRIPTION	DESCRIZIONE	DESCRIPTION	BESCHREIBUNG	REMARKS
1	181003801/1	1	Guide Spring	Molla Guida	Ressort De Guide	Feder Führer	
2	381006576/0	1	Handle, Lower Part	Manico, Parte Inferiore	Mancheron, Partie Inferieure	Holm, Unterteil	
3	122680006/1	2	Washer	Rosetta	Rondelle	Scheibe	
4	322399804/1	2	Knob	Manopolina	Poignée	Griff	
5	112293200/0	2	Nut	Dado	Ecrou	Mutter	
6	112819201/0	1	Screw	Vite	Vis	Schraube	
7	112818900/0	2	Screw	Vite	Vis	Schraube	
8	322778425/0	1	Bracket, L	Staffa Sx	Etrier Gauche	Steigbügel, Linke	
9	122671653/0	2	Washer	Rosetta	Rondelle	Scheibe	
10	322399804/1	2	Knob	Manopolina	Poignée	Griff	
11	112293200/0	2	Nut	Dado	Ecrou	Mutter	
12	112760605/0	4	Screw	Vite	Vis	Schraube	
13	112521350/0	4	Washer	Rosetta	Rondelle	Scheibe	
14	322778423/0	1	Bracket, R	Staffa Dx	Etrier Droit	Steigbügel, Rechte	



Handle, Upper Part							
POS	PART. NO	Q.ty	DESCRIPTION	DESCRIZIONE	DESCRIPTION	BESCHREIBUNG	REMARKS
1	381006577/0	1	Handle, Upper Part	Manico, Parte Sup	Mancheron, Partie Superieure	Holm, Oberteil	
2	112674700/0	1	Screw	Vite	Vis	Schraube	
3	181000612/0	1	Cable, Thread Engine Brake	Cavo Freno Motore	Cable Frein Moteur	Kabel, Motorbremse	for GGP 150 Engine
3	181000617/0	1	Cable, Thread Engine Brake	Cavo Freno Motore	Cable Frein Moteur	Kabel, Motorbremse	for B&S 625-675 Series
3	181000655/0	1	Cable, Thread Engine Brake	Cavo Freno Motore	Cable Frein Moteur	Kabel, Motorbremse	for B&S 450-500 Series
3	181000655/0	1	Cable, Thread Engine Brake	Cavo Freno Motore	Cable Frein Moteur	Kabel, Motorbremse	for Honda Engine
4	112521330/0	1	Washer	Rosetta	Rondelle	Scheibe	
5	112292100/0	1	Nut	Dado	Ecrou	Mutter	
6	112645710/0	1	Pin	Perno	Pivot	Bolzen	
7	322321700/1	1	Lever, Eng. Brake	Leva Freno Motore	Levier Frein Moteur	Hebel, Motorbremse	
9	381000654/0	1	Cable, Rear Drive	Cavo Comando Trazione	Câble, Comm. Traction	Kabel, Antrieb	
10	118564520/1	1	Fair Lead	Passacavo	Passe Cable	Kabeldurchgang	
11	112769616/0	1	Screw	Vite	Vis	Schraube	
12	322806521/0	1	Clamp	Staffa	Etrier	Bride	
13	112292100/0	1	Nut	Dado	Ecrou	Mutter	
14	322321701/0	1	Driving Lever	Leva Trazione	Levier Traction	Antriebhebel	
15	112645710/0	1	Pin	Perno	Pivot	Bolzen	

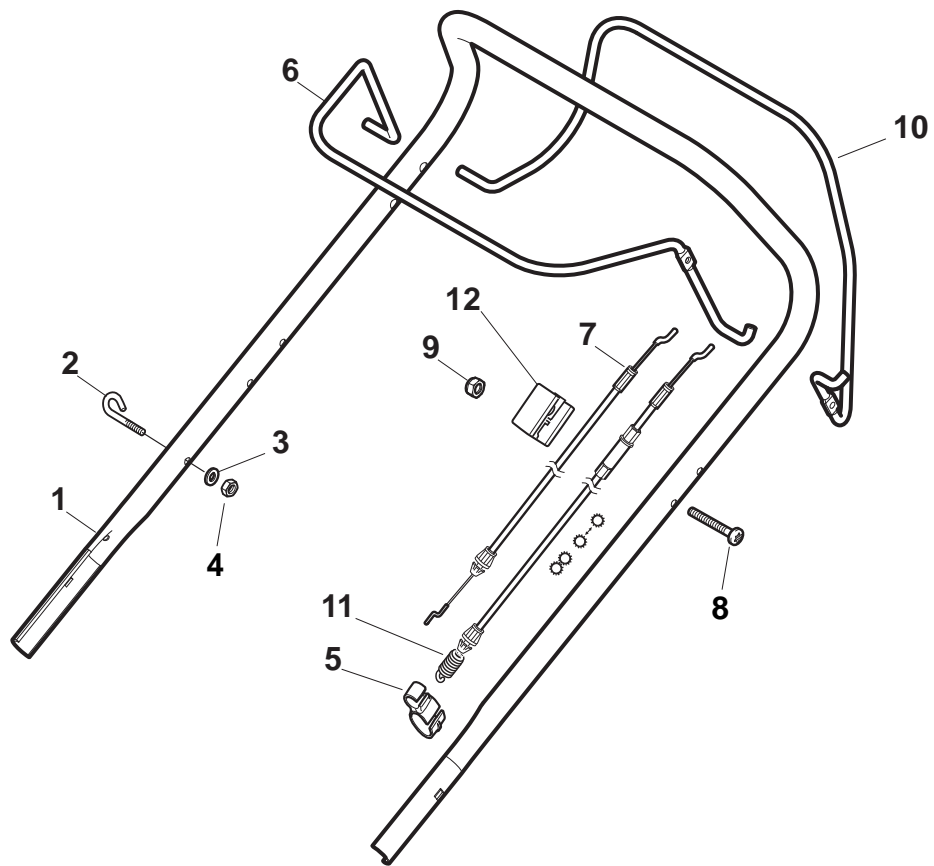


Handle, Upper Part							
POS	PART. NO	Q.ty	DESCRIPTION	DESCRIZIONE	DESCRIPTION	BESCHREIBUNG	REMARKS
1	381006579/1	1	Handle, Upper Part	Manico, Parte Sup	Mancheron, Partie Superieure	Holm, Oberteil	
2	112689500/0	1	Screw	Vite	Vis	Schraube	
3	322551640/0	1	Plate	Piastrina	Plaquette	Plättchen	
4	381000659/0	1	Cable, Rear Drive	Cavo Comando Trazione	Câble, Comm. Traction	Kabel, Antrieb	
5	381003297/1	1	Driving Lever	Leva Trazione	Levier Traction	Antriebhebel	
6	181000657/0	1	Cable, Thread Engine Brake	Cavo Freno Motore	Cable Frein Moteur	Kabel, Motorbremse	for B&S 450-500 Series / Honda
6	181000720/1	1	Cable, Thread Engine Brake	Cavo Freno Motore	Cable Frein Moteur	Kabel, Motorbremse	for B&S 625-675 Series
6	181030002/0	1	Cable, Thread Engine Brake	Cavo Freno Motore	Cable Frein Moteur	Kabel, Motorbremse	for GGP 140-160 Engine
6	381000743/0	1	Cable, Thread Eng. Brake	Cavo Freno Motore	Cable Frein Moteur	Kabel, Motorbremse	for GGP 150 Engine
7	381003298/1	1	Lever, Engine Brake	Leva Freno Motore	Levier Frein Moteur	Hebel, Motorbremse	
7	381003330/0	1	Lever, Engine Brake	Leva Freno Motore	Levier Frein Moteur	Hebel, Motorbremse	
8	112521330/0	1	Washer	Rosetta	Rondelle	Scheibe	
9	112292100/0	1	Nut	Dado	Ecrou	Mutter	



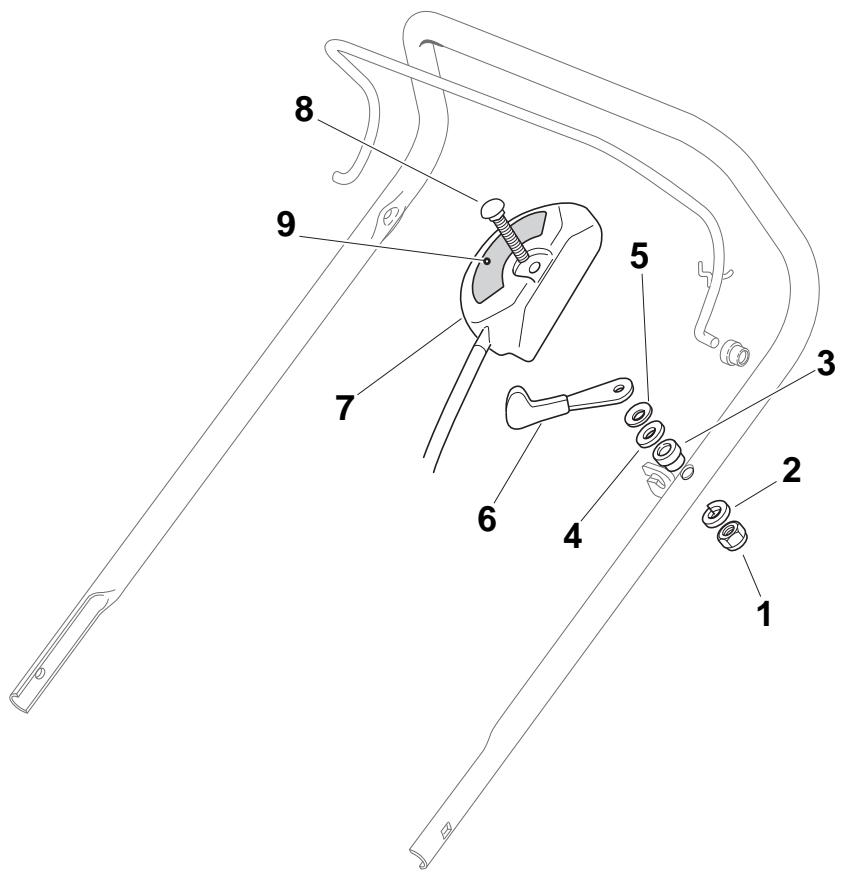
Handle, Upper Part

POS	PART. NO	Q.ty	DESCRIPTION	DESCRIZIONE	DESCRIPTION	BESCHREIBUNG	REMARKS
1	381006739/1	1	Handle, Upper Part	Manico, Parte Sup	Mancheron, Partie Superieure	Holm, Oberteil	
1	381006745/1	1	Handle, Upper Part with sponge handgrip	Manico, Parte Sup. con impugantura in spugna	Mancheron, Partie Superieure avec éponge poignée	Holm, Oberteil Handgriff Schwamm	
2	122430313/0	1	Guide Spring	Molla Guida	Ressort De Guide	Feder Führer	
3	112521330/0	1	Washer	Rosetta	Rondelle	Scheibe	
4	112154510/0	1	Nut	Dado	Ecrou	Mutter	
5	118390020/0	1	Fairlead	Fermacavo	Fixation Cable	Kabelbefestigung	
6	181003363/1	1	Lever, Engine Brake Black	Leva Freno Motore Nero	Levier Frein Moteur Noir	Hebel, Motorbremse Schwarz	Black
6	381003365/0	1	Lever, Engine Brake Yellow	Leva Freno Motore, Giallo	Levier Frein Moteur Jaune	Hebel, Motorbremse, Gelb	Yellow
6	381003376/0	1	Lever, Engine Brake Red	Leva Freno Motore, Rosso	Levier Frein Moteur Rouge	Hebel, Motorbremse, Rot	Red
7	181030053/0	1	Cable, Thread Engine Brake	Cavo Freno Motore	Cable Frein Moteur	Kabel, Motorbremse	for B&S - Honda Engine
7	181030054/0	1	Cable, Thread Engine Brake	Cavo Freno Motore	Cable Frein Moteur	Kabel, Motorbremse	for GGP 150 Engine
7	181030087/0	1	Cable, Thread Engine Brake	Cavo Freno Motore	Cable Frein Moteur	Kabel, Motorbremse	for GGP - GGP 100 Engine
8	112727788/0	1	Screw	Vite	Vis	Schraube	
9	112154510/0	1	Nut	Dado	Ecrou	Mutter	
10	181003364/0	1	Lever, Driving Black	Leva Trazione Nero	Levier Traction Noir	Hebel, Antrieb Schwarz	Black
10	381003366/0	1	Lever, Driving Yellow	Leva Trazione Giallo	Levier Traction Jaune	Hebel, Antrieb Gelb	Yellow
10	381003377/0	1	Lever, Driving Red	Leva Trazione Rosso	Levier Traction Rouge	Hebel, Antrieb Rot	Red
11	381030082/0	1	Cable, Rear Drive	Cavo Comando Trazione	Câble, Comm. Traction	Kabel, Antrieb	
12	181005501/1	1	Throttle Cable	Cavo Acceleratore	Cable, Accelérateur	Gashebel Kabel	for GGP - Honda Engine
12	181005502/1	1	Throttle Cable	Cavo Acceleratore	Cable, Accelérateur	Gashebel Kabel	for B&S Engine
12	181005519/0	1	Throttle Cable	Cavo Acceleratore	Cable, Accelérateur	Gashebel Kabel	for GGP 150 Engine

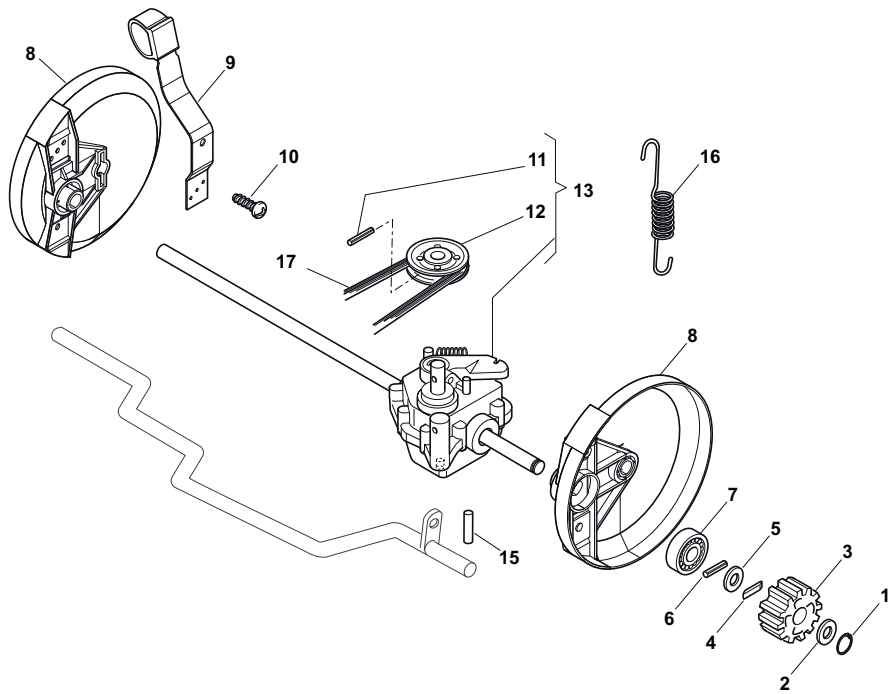


Handle, Upper Part

POS	PART. NO	Q.ty	DESCRIPTION	DESCRIZIONE	DESCRIPTION	BESCHREIBUNG	REMARKS
1	381006739/1	1	Handle, Upper Part	Manico, Parte Sup	Mancheron, Partie Superieure	Holm, Oberteil	
1	381006745/1	1	Handle, Upper Part with sponge handgrip	Manico, Parte Sup. con impugantura in spugna	Mancheron, Partie Superieure avec éponge poignée	Holm, Oberteil Handgriff Schwamm	
2	122430313/0	1	Guide Spring	Molla Guida	Ressort De Guide	Feder Führer	
3	112521330/0	1	Washer	Rosetta	Rondelle	Scheibe	
4	112154510/0	1	Nut	Dado	Ecrou	Mutter	
5	118390020/0	1	Fairlead	Fermacavo	Fixation Cable	Kabelbefestigung	
6	181003363/1	1	Lever, Engine Brake Black	Leva Freno Motore Nero	Levier Frein Moteur Noir	Hebel, Motorbremse Schwarz	Black
6	381003365/0	1	Lever, Engine Brake Yellow	Leva Freno Motore, Giallo	Levier Frein Moteur Jaune	Hebel, Motorbremse, Gelb	Yellow
6	381003376/0	1	Lever, Engine Brake Red	Leva Freno Motore, Rosso	Levier Frein Moteur Rouge	Hebel, Motorbremse, Rot	Red
7	181030053/0	1	Cable, Thread Engine Brake	Cavo Freno Motore	Cable Frein Moteur	Kabel, Motorbremse	for B&S - Honda Engine
7	181030054/0	1	Cable, Thread Engine Brake	Cavo Freno Motore	Cable Frein Moteur	Kabel, Motorbremse	for GGP - GGP 150 Engine
7	181030087/0	1	Cable, Thread Engine Brake	Cavo Freno Motore	Cable Frein Moteur	Kabel, Motorbremse	for GGP - GGP 100 Engine
8	112727783/0	1	Screw	Vite	Vis	Schraube	
9	112154510/0	1	Nut	Dado	Ecrou	Mutter	
10	181003364/0	1	Lever, Driving Black	Leva Trazione Nero	Levier Traction Noir	Hebel, Antrieb Schwarz	Black
10	381003366/0	1	Lever, Driving Yellow	Leva Trazione Giallo	Levier Traction Jaune	Hebel, Antrieb Gelb	Yellow
10	381003377/0	1	Lever, Driving Red	Leva Trazione Rosso	Levier Traction Rouge	Hebel, Antrieb Rot	Red
11	381030082/0	1	Cable, Rear Drive	Cavo Comando Trazione	Câble, Comm. Traction	Kabel, Antrieb	
12	322551640/0	1	Plate	Piastrina	Plaquette	Plättchen	



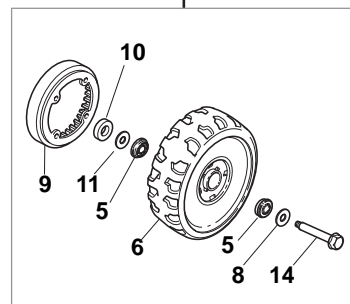
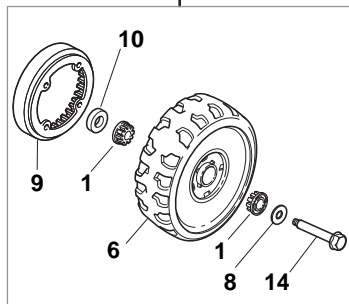
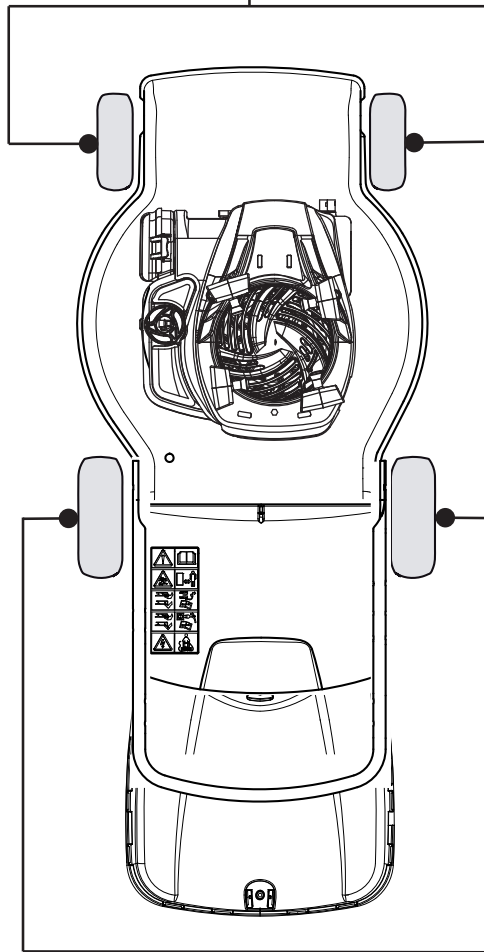
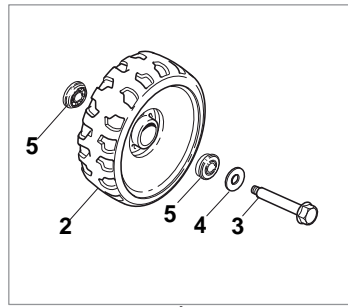
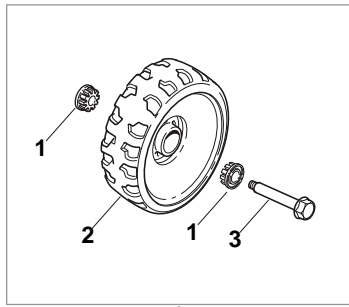
Throttle Cable							
POS	PART. NO	Q.ty	DESCRIPTION	DESCRIZIONE	DESCRIPTION	BESCHREIBUNG	REMARKS
1	112291000/0	1	Nut	Dado	Ecrou	Mutter	
2	112581500/0	1	Grower	Grower	Grower	Federring	
3	122171005/0	1	Spacer	Distanziale	Entretoise	Distanzring	
4	112521360/0	1	Washer	Rosetta	Rondelle	Scheibe	
5	112508100/0	1	Spring Washer	Rosetta Elastica	Rondelle Elastique	Elastische Scheibe	
6	381007220/0	1	Lever, Throttle	Leva, Acceleratore	Levier, Accelérateur	Hebel, Beschleuniger	for B&S 450-500 series / GGP 150cc
6	381007279/1	1	Lever, Throttle	Leva, Acceleratore	Levier, Accelérateur	Hebel, Beschleuniger	for B&S-GGP-Honda Engine
7	481007080/0	1	Throttle Cable	Cavo Acceleratore	Cable, Accelérateur	Gashebel Kabel	
8	112815000/0	1	Screw	Vite	Vis	Schraube	
9	114356702/0	1	Label	Etichetta	Etiquette	Etikette	for GGP Engine
9	114356702/0	1	Label	Etichetta	Etiquette	Etikette	for HONDA Engine
9	114356703/0	1	Label	Etichetta	Etiquette	Etikette	for B&S Engine
9	114356905/0	1	Label	Etichetta	Etiquette	Etikette	for DOV Engine
9	114356905/0	1	Label	Etichetta	Etiquette	Etikette	for Autochoke Engine
9	114364264/0	1	Label	Etichetta	Etiquette	Etikette	for GGP Engine with AVS



Rear Drive							
POS	PART. NO	Q.ty	DESCRIPTION	DESCRIZIONE	DESCRIPTION	BESCHREIBUNG	REMARKS
1	112608520/0	2	Seeger	Seeger	Seeger	Seeger	
2	322160520/0	2	Dust Cover	Disco Parapolvere	Protege-Poussiere	Staubschutscheibe	
3	122570125/0	2	Pinion	Pignone	Pignon	Ritzel	
4	122076645/0	2	Key	Chiave	Clef	Schlüssel	
5	322160520/0	2	Dust Cover	Disco Parapolvere	Protege-Poussiere	Staubschutscheibe	
6	112622620/0	2	Pin	Perno	Pivot	Bolzen	
7	122122202/0	2	Bearing	Cuscinetto	Coussinet	Lager	
8	322600106/1	2	Protection, Wheel	Protezione Ruote	Protection Roue	Schütz, Räder	
9	381003303/0	1	Lever, Height Adjustment	Leva Regolazione Altezza	Levier Reglage Hauteur	Hebel, Höneverstellung	
10	112728689/0	2	Screw	Vite	Vis	Schraube	
11	112645705/0	1	Dowel	Grano	Goupille	Stift	
12	122601909/0	1	Pulley	Puleggia	Poulie	Riemenscheibe	
13	181003093/1	1	Gear Box	Gruppo Trazione	Groupe Traction	Antrieb	
15	122753001/0	2	Pin	Perno	Pivot	Bolzen	
16	122450438/0	1	Spring	Molla	Ressort	Feder	
17	135063750/0	1	Belt	Cinghia	Courroie	Riemen	

BUSHING Version - Ø 165

BALL BEARING Version - Ø 165

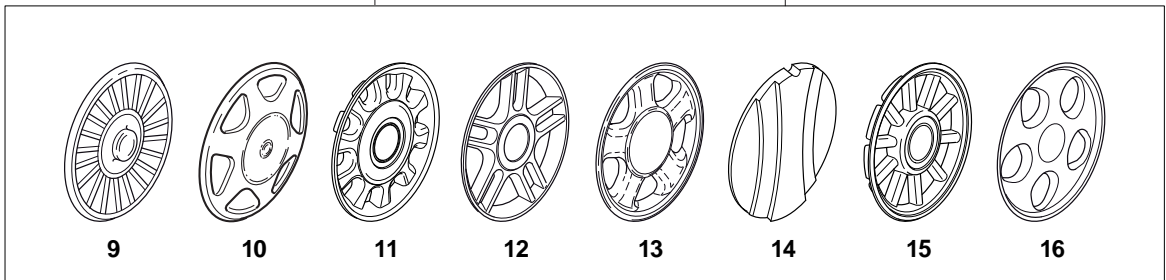
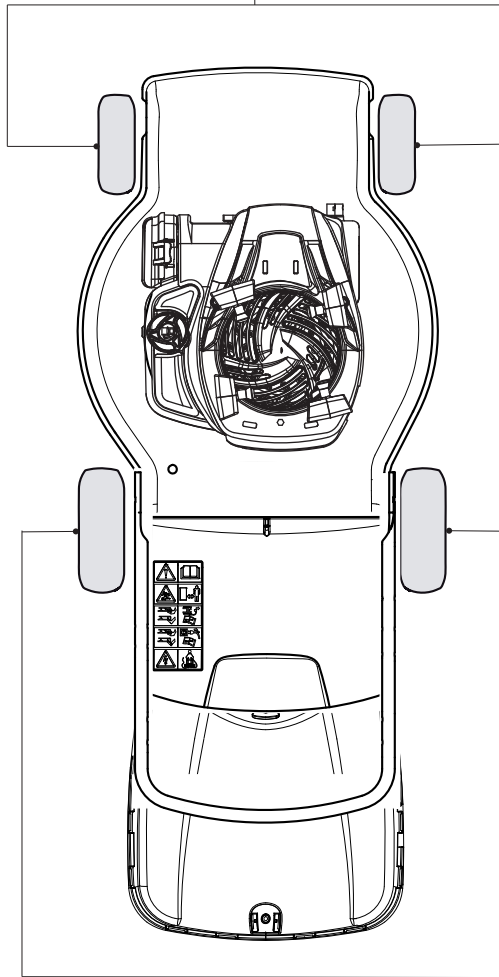
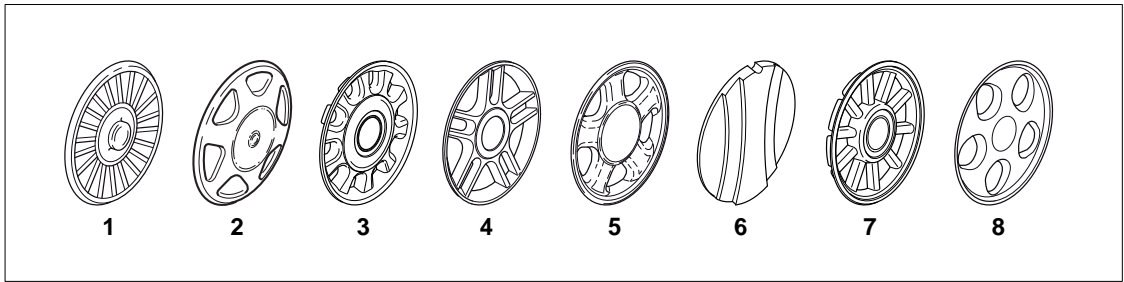


BUSHING Version - Ø 190

BALL BEARING Version - Ø 190

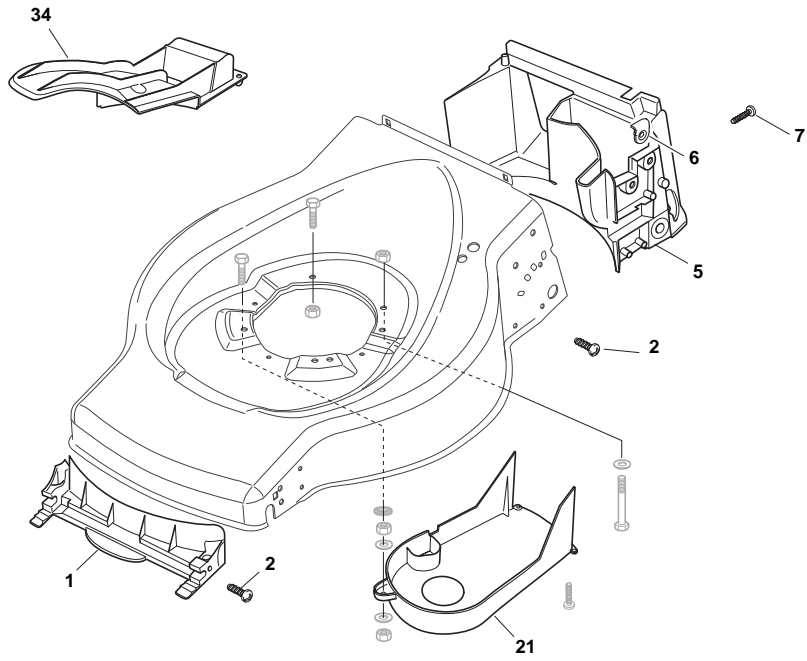
Wheels

POS	PART. NO	Q.ty	DESCRIPTION	DESCRIZIONE	DESCRIPTION	BESCHREIBUNG	REMARKS
1	122034508/0	8	Bush	Bussola	Douille	Büchse	
2	322686091/1	4	Wheel Ø 165	Ruota Ø 165	Roue Ø 165	Rad Ø 165	
3	122524341/0	4	Pin	Perno	Pivot	Bolzen	
4	122675100/0	4	Washer	Rosetta	Rondelle	Scheibe	
5	122122200/0	8	Bearing	Cuscinetto	Coussinet	Lager	
6	322686093/0	4	Wheel Ø 190	Ruota Ø 190	Roue Ø190	Rad Ø 190	
8	112523050/0	2	Washer	Rosetta	Rondelle	Scheibe	
9	322120109/0	2	Ring Gear	Corona	Couronne	Kranz	
10	322170622/0	2	Spacer	Distanziale	Entretoise	Distanzring	
11	122675100/0	2	Washer	Rosetta	Rondelle	Scheibe	
8	112523050/0	2	Washer	Rosetta	Rondelle	Scheibe	
14	112735599/0	2	Screw	Vite	Vis	Schraube	



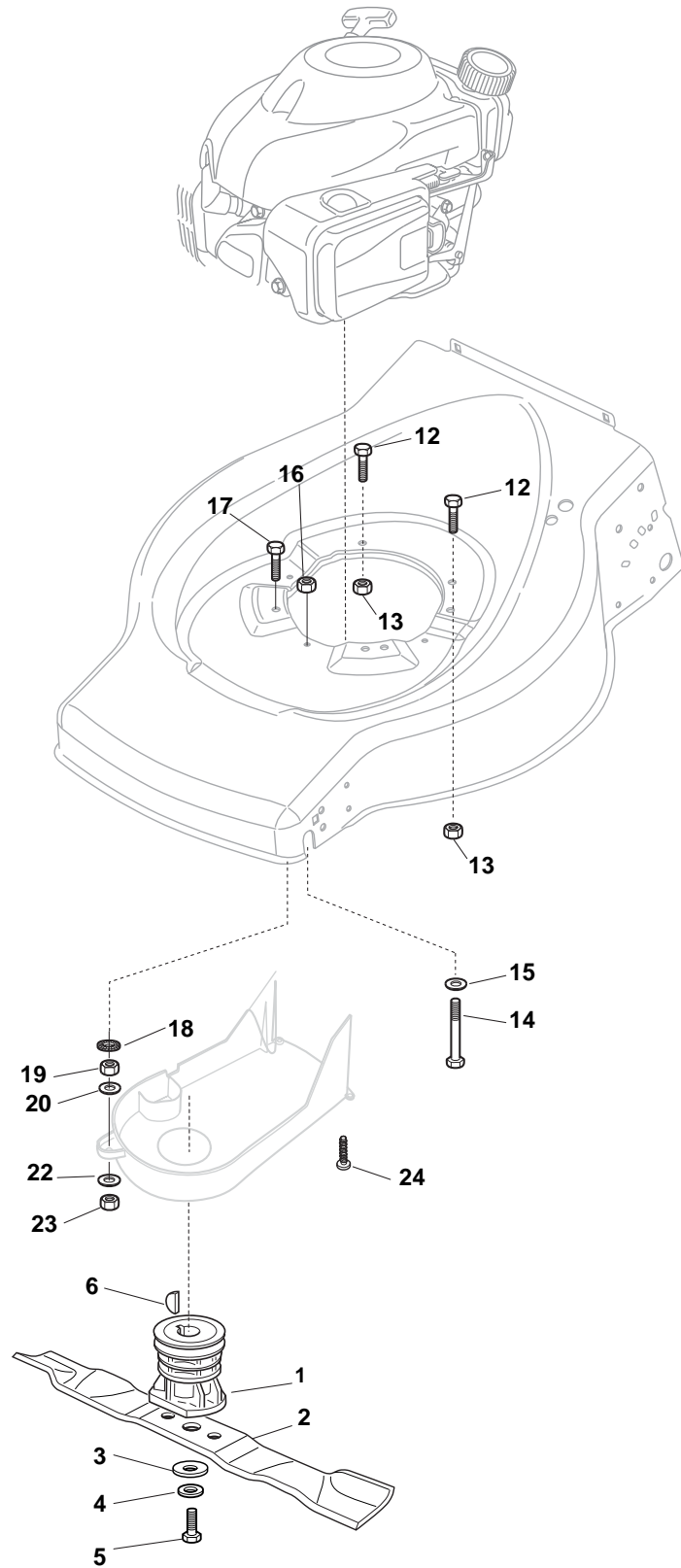
Hub Caps

POS	PART. NO	Q.ty	DESCRIPTION	DESCRIZIONE	DESCRIPTION	BESCHREIBUNG	REMARKS
1	322110347/0	2	Hub Cap Grey	Coprимozzo Grigio	Couvre-Moyeu Gris	Radkappe Grau	
2	322110395/0	2	Hub Cap Grey	Coprимozzo Grigio	Couvre-Moyeu Gris	Radkappe Grau	
3	322110493/0	2	Hub Cap Grey	Coprимozzo Grigio	Couvre-Moyeu Gris	Radkappe Grau	
4	322110491/0	2	Hub Cap Grey	Coprимozzo Grigio	Couvre-Moyeu Gris	Radkappe Grau	
5	322110381/0	2	Hub Cap Grey	Coprимozzo Grigio	Couvre-Moyeu Gris	Radkappe Grau	
6	122110252/1	2	Hub Cap White	Coprимozzo Bianco	Couvre-Moyeu Blanc	Radkappe Weiß	
6	122110254/1	2	Hub Cap Yellow	Coprимozzo Giallo	Couvre-Moyeu Jaune	Radkappe Gelb	
6	122110255/1	2	Hub Cap Red	Coprимozzo Rosso	Couvre-Moyeu Rouge	Radkappe Rot	
7	322110495/0	2	Hub Cap Grey	Coprимozzo Grigio	Couvre-Moyeu Gris	Radkappe Grau	
8	322110416/0	2	Hub Cap Grey	Coprимozzo Grigio	Couvre-Moyeu Gris	Radkappe Grau	
9	322110348/0	2	Hub Cap Grey	Coprимozzo Grigio	Couvre-Moyeu Gris	Radkappe Grau	
10	322110314/0	2	Hub Cap Grey	Coprимozzo Grigio	Couvre-Moyeu Gris	Radkappe Grau	
11	322110494/0	2	Hub Cap Grey	Coprимozzo Grigio	Couvre-Moyeu Gris	Radkappe Grau	
12	322110491/0	2	Hub Cap Grey	Coprимozzo Grigio	Couvre-Moyeu Gris	Radkappe Grau	
13	322110382/0	2	Hub Cap Grey	Coprимozzo Grigio	Couvre-Moyeu Gris	Radkappe Grau	
14	122110251/0	2	Hub Cap White	Coprимozzo Bianco	Couvre-Moyeu Blanc	Radkappe Weiß	
14	122110253/0	2	Hub Cap Yellow	Coprимozzo Giallo	Couvre-Moyeu Jaune	Radkappe Gelb	
14	122110256/0	2	Hub Cap Red	Coprимozzo Rosso	Couvre-Moyeu Rouge	Radkappe Rot	
15	322110496/0	2	Hub Cap Grey	Coprимozzo Grigio	Couvre-Moyeu Gris	Radkappe Grau	
16	322110416/0	2	Hub Cap Grey	Coprимozzo Grigio	Couvre-Moyeu Gris	Radkappe Grau	



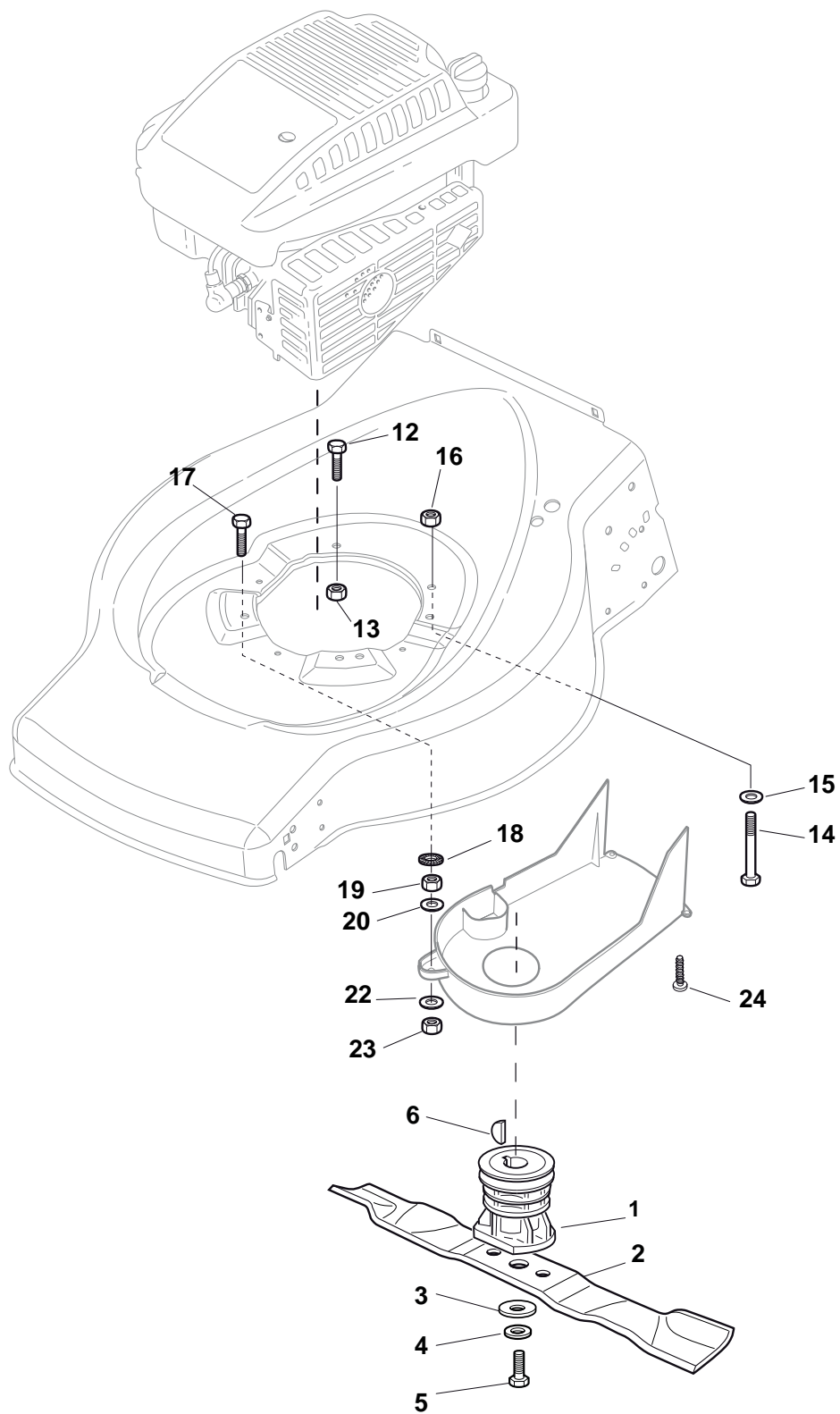
Front Conveyor Assy

POS	PART. NO	Q.ty	DESCRIPTION	DESCRIZIONE	DESCRIPTION	BESCHREIBUNG	REMARKS
1	322108271/0	1	Front Conveyor Assy	Convogl. Anteriore	Convoyeur Avant	Hinterleitblechvorder	
2	112728686/0	6	Screw	Vite	Vis	Schraube	
5	322108272/2	1	Rear Conveyor Assy	Convogl. Posteriore	Ens. Convoyeur Post.	Hinterleitblechsatz	
6	322545189/0	4	Plate	Piastrina	Plaquette	Plättchen	
7	112728686/0	2	Screw	Vite	Vis	Schraube	
21	322060212/0	1	Protection, Belt	Carter Cinghia	Protection Courroire	Schutz, Riemen	
34	322140226/0	1	Deflector	Deflettore	Deflecteur	Abweiser	

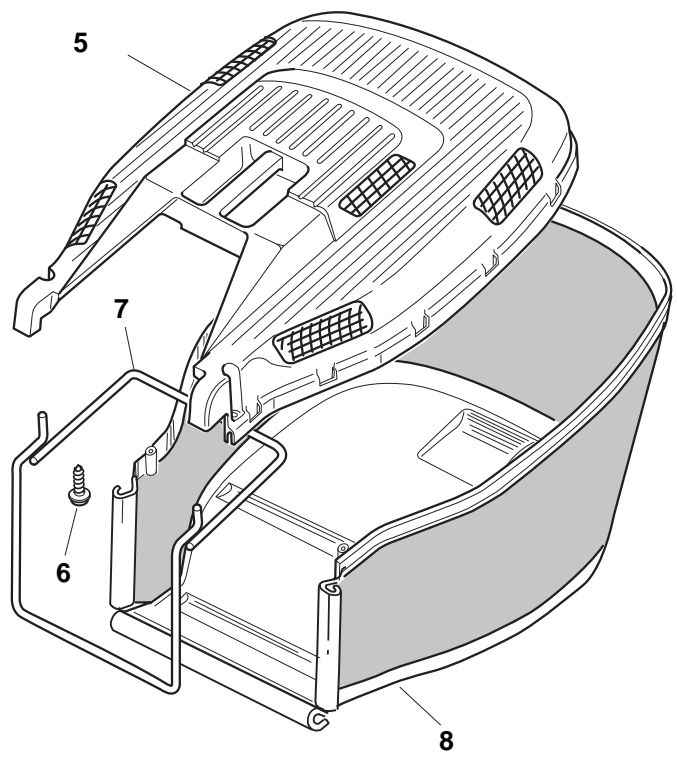
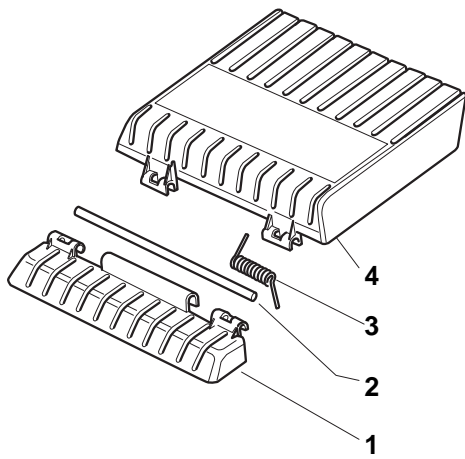


Blade - GGP 100cc Engine

POS	PART. NO	Q.ty	DESCRIPTION	DESCRIZIONE	DESCRIPTION	BESCHREIBUNG	REMARKS
1	122465607/3	1	Hub With Pulley, Crankshaft Ø 22.2	Mozzo Con Puleggia, Albero Motore Ø 22.2	Moyeu Avec Poulie, Arbre Moteur Ø 22.2	Nabe Mit Scheibe, Motorwelle Ø 22.2	
2	181004365/3	1	Blade	Coltello	Lame	Messer	
3	122160400/0	1	Elastic Washer	Disco Elastico	Disque Elastique	Federscheibe	
4	112523080/0	1	Washer	Rosetta	Rondelle	Scheibe	
5	112735698/0	1	Screw	Vite	Vis	Schraube	
6	112139100/0	1	Feather, Crankshaft Ø 22.2	Linguetta, Albero Motore Ø 22.2	Clavette, Arbre Moteur Ø 22.2	Keil, Motorwelle Ø 22.2	
12	112691100/0	2	Screw	Vite	Vis	Schraube	
13	112154210/0	2	Nut	Dado	Ecrou	Mutter	
14	112691700/0	2	Screw	Vite	Vis	Schraube	
15	112540060/0	1	Washer	Rosetta	Rondelle	Scheibe	
16	112154210/0	1	Nut	Dado	Ecrou	Mutter	
17	112691100/0	3	Screw	Vite	Vis	Schraube	
18	112540060/0	1	Washer	Rosetta	Rondelle	Scheibe	
19	112293200/0	1	Nut	Dado	Ecrou	Mutter	
20	122671651/0	1	Washer	Rosetta	Rondelle	Scheibe	
22	325670011/0	1	Washer	Rosetta	Rondelle	Scheibe	
23	112155000/0	1	Nut	Dado	Ecrou	Mutter	
24	112728686/0	2	Screw	Vite	Vis	Schraube	

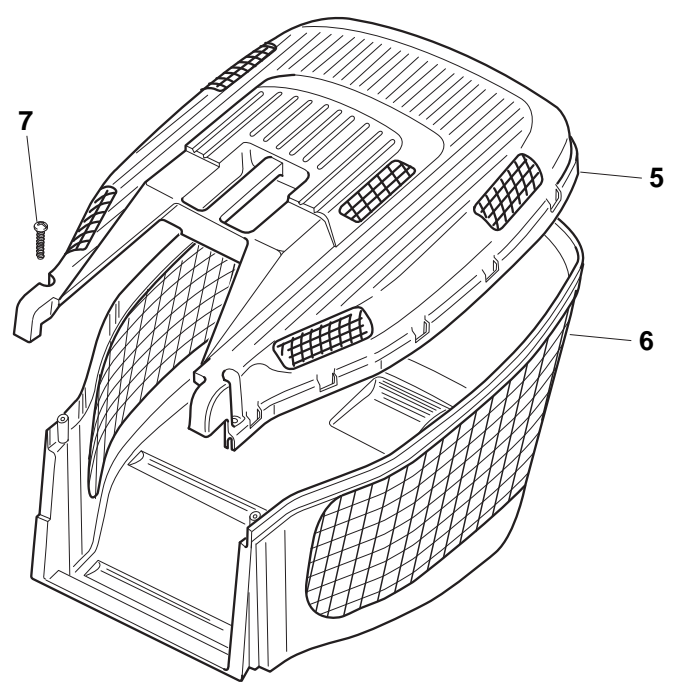
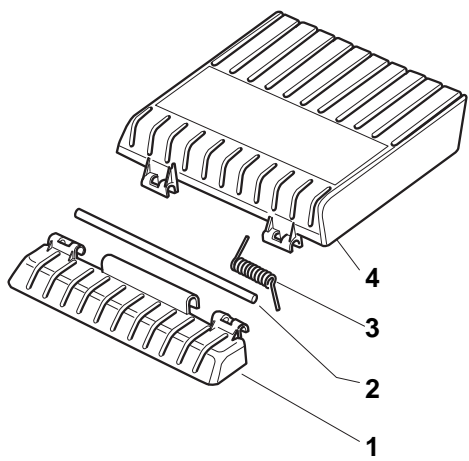


Blade							
POS	PART. NO	Q.ty	DESCRIPTION	DESCRIZIONE	DESCRIPTION	BESCHREIBUNG	REMARKS
1	122465607/3	1	Hub With Pulley, Crankshaft Ø 22.2	Mozzo Con Puleggia, Albero Motore Ø 22.2	Moyeu Avec Poulie, Arbre Moteur Ø 22.2	Nabe Mit Scheibe, Motorwelle Ø 22.2	for B&S -GGP Engine
1	122465608/2	1	Hub With Pulley, Crankshaft Ø 25	Mozzo Con Puleggia, Albero Motore Ø 25	Moyeu Avec Poulie, Arbre Moteur Ø 25	Nabe Mit Scheibe, Motorwelle Ø 25	for HONDA Engine
2	181004365/3	1	Blade	Coltello	Lame	Messer	
3	122160400/0	1	Elastic Washer	Disco Elastico	Disque Elastique	Federscheibe	
4	112523080/0	1	Washer	Rosetta	Rondelle	Scheibe	
5	112735698/0	1	Screw	Vite	Vis	Schraube	
6	112139100/0	1	Feather, Crankshaft Ø 22.2	Linguetta, Albero Motore Ø 22.2	Clavette, Arbre Moteur Ø 22.2	Keil, Motorwelle Ø 22.2	for B&S -GGP Engine
6	112139150/0	1	Feather, Crankshaft Ø 25	Linguetta, Albero Motore Ø 25	Clavette, Arbre Moteur Ø 25	Keil, Motorwelle Ø 25	for HONDA Engine
12	112793701/0	2	Screw	Vite	Vis	Schraube	for B&S Engine
12	112691100/0	2	Screw	Vite	Vis	Schraube	for HONDA Engine
12	112793701/0	2	Screw	Vite	Vis	Schraube	for GGP Engine
13	112293201/0	2	Nut	Dado	Ecrou	Mutter	
14	112691100/0	2	Screw	Vite	Vis	Schraube	for GGP Engine
14	112691800/0	1	Screw	Vite	Vis	Schraube	for B&S Engine
15	112521350/0	1	Washer	Rosetta	Rondelle	Scheibe	
16	112155000/0	1	Nut	Dado	Ecrou	Mutter	
17	322943100/0	3	Screw	Vite	Vis	Schraube	for HONDA Engine
17	112775000/0	3	Screw	Vite	Vis	Schraube	for B&S Engine
17	112691115/0	3	Screw	Vite	Vis	Schraube	GGP 150-196cc
17	112691200/0	3	Screw	Vite	Vis	Schraube	GGP 140-160cc
18	112540060/0	1	Washer	Rosetta	Rondelle	Scheibe	
19	112293200/0	1	Nut	Dado	Ecrou	Mutter	
20	122671651/0	1	Washer	Rosetta	Rondelle	Scheibe	
22	325670011/0	1	Washer	Rosetta	Rondelle	Scheibe	
23	112155000/0	1	Nut	Dado	Ecrou	Mutter	
24	112728686/0	2	Screw	Vite	Vis	Schraube	



Grass-Catcher

POS	PART. NO	Q.ty	DESCRIPTION	DESCRIZIONE	DESCRIPTION	BESCHREIBUNG	REMARKS
1	322785136/1	1	Support	Supporto	Support	Halter	
2	122517858/0	1	Pin	Perno	Pivot	Bolzen	
3	122450431/0	1	Spring	Molla	Ressort	Feder	
4	322600099/2	1	Stone-Guard	Parasassi	Pare-Pierres	Prallblech	
5	322486122/0	1	Grassbox Upper Part	Parte Sup.Sacco	Sac, Partie Sup.	Korb Oberteil	
6	112728686/0	2	Screw	Vite	Vis	Schraube	
7	181006419/0	1	Chassis Box	Telaio Sacco	Châssis Bac	Rahmen Sack	
8	181002229/0	1	Box, Fabric	Sacco, Tela	Sac, Toile	Sack, Tuck	



Grass-Catcher

POS	PART. NO	Q.ty	DESCRIPTION	DESCRIZIONE	DESCRIPTION	BESCHREIBUNG	REMARKS
1	322785136/1	1	Support	Supporto	Support	Halter	
2	122517858/0	1	Pin	Perno	Pivot	Bolzen	
3	122450431/0	1	Spring	Molla	Ressort	Feder	
4	322600099/2	1	Stone-Guard	Parasassi	Pare-Pierres	Prallblech	
5	322486122/0	1	Grassbox Upper Part	Parte Sup.Sacco	Sac, Partie Sup.	Korb Oberteil	
6	322486128/0	1	Grassbox Lower Part	Parte Infer. Sacco	Sac, Partie Inferieure	Korb Unterteil	
7	112728686/0	2	Screw	Vite	Vis	Schraube	