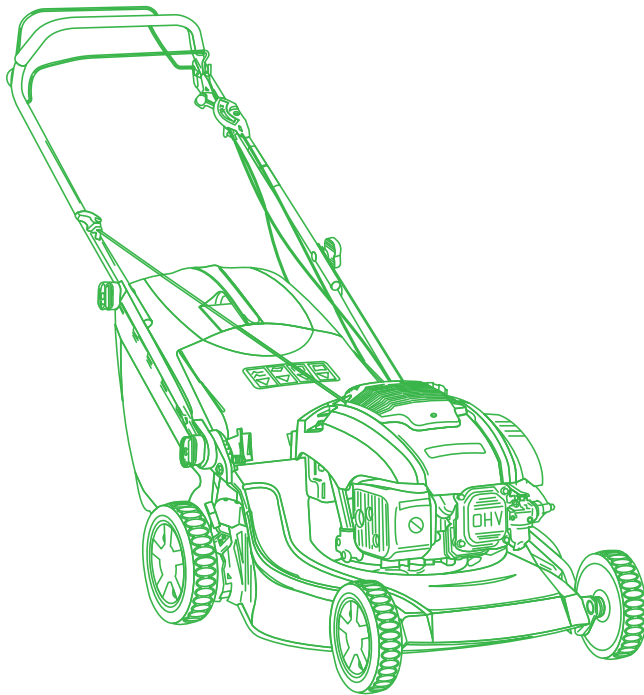


ILLUSTRATED PARTS LIST

ESL 460



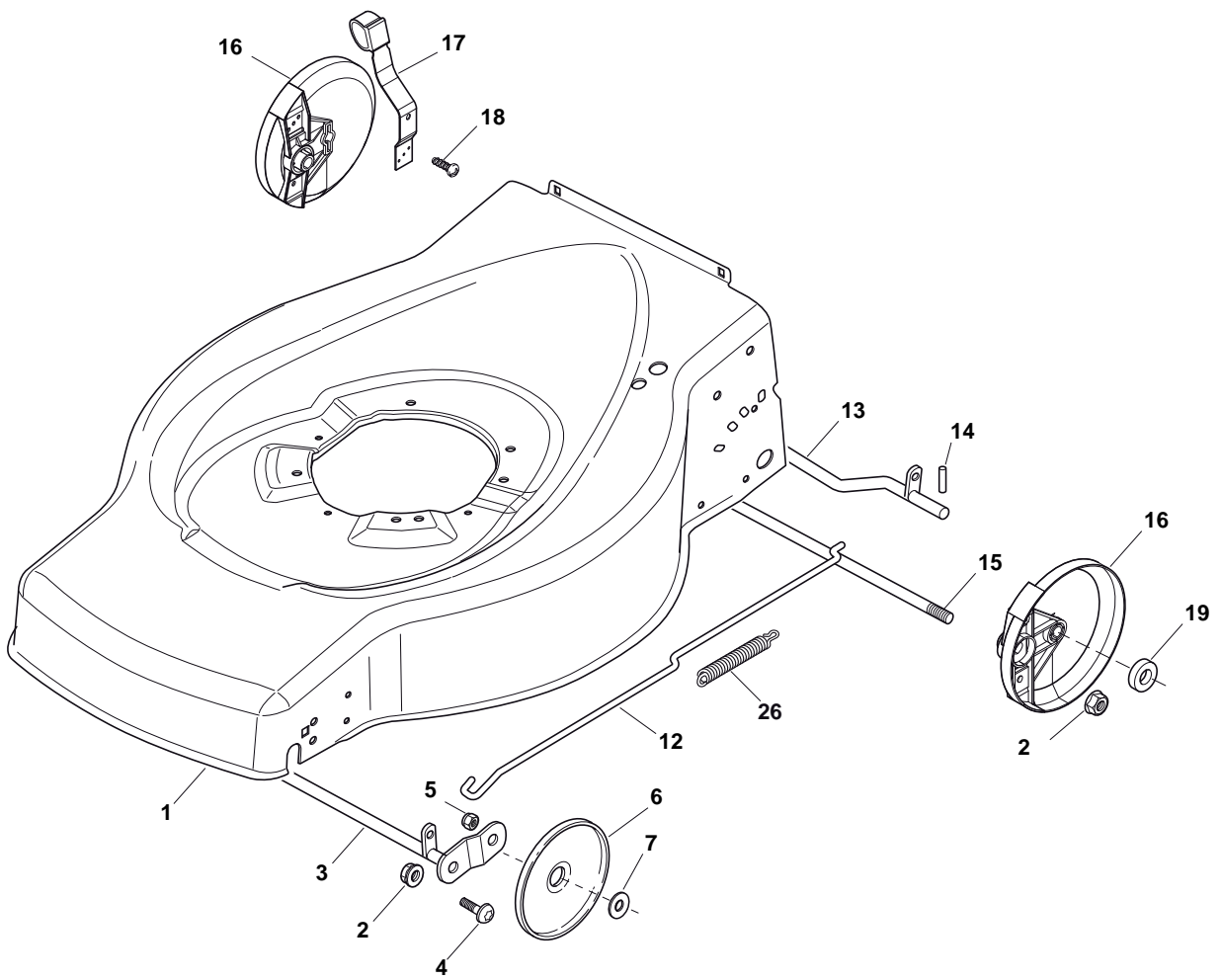
- Use GLOBAL GARDEN PRODUCT Genuine Spare Parts specified in the parts list for repair and/or replacement.
- The contents described in the parts list may change due to improvement.
- The drawings of the spare parts are only indicative and might not represent the part in question exactly.
- The indications "right" - "left" - "front" - "rear" refer to the position of the operator when using the machine.
- When placing orders of parts for repair and/or replacement, make sure that the illustrated parts list is the one applying to the machine's year of manufacture, as shown on the identification plate attached to the machine.

© Copyright 2014 Global Garden Products

All content is subject to copyright by Global Garden Products and may not be reproduced in whole or in part by any means, electronic or otherwise, without prior written approval.

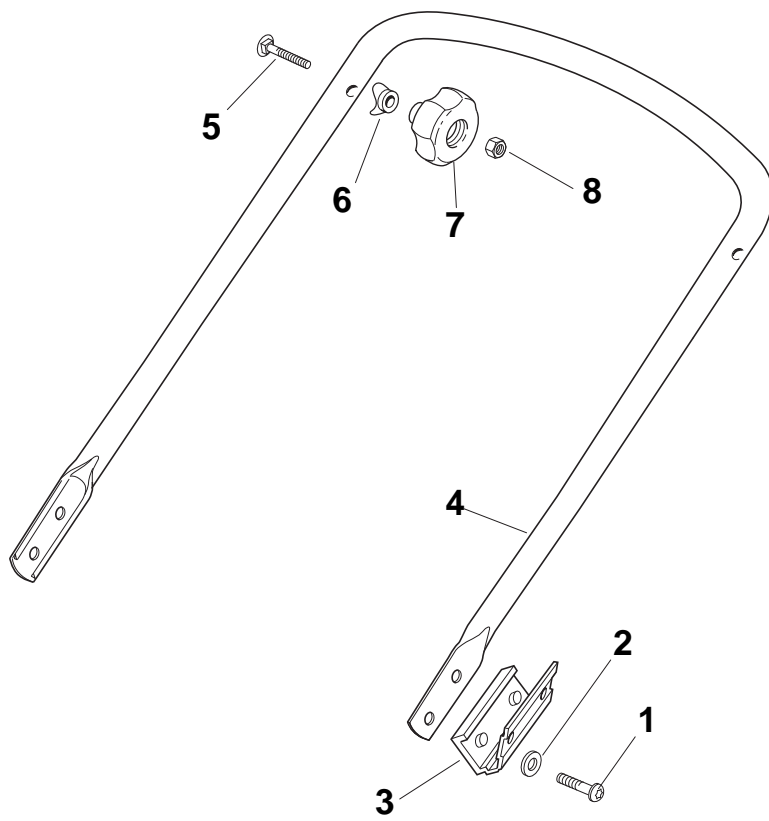
THIS INFORMATION IS NOT INTENDED FOR SALE OR RESALE, AND THIS NOTICE MUST REMAIN ON ALL COPIES.


GLOBAL GARDEN PRODUCTS



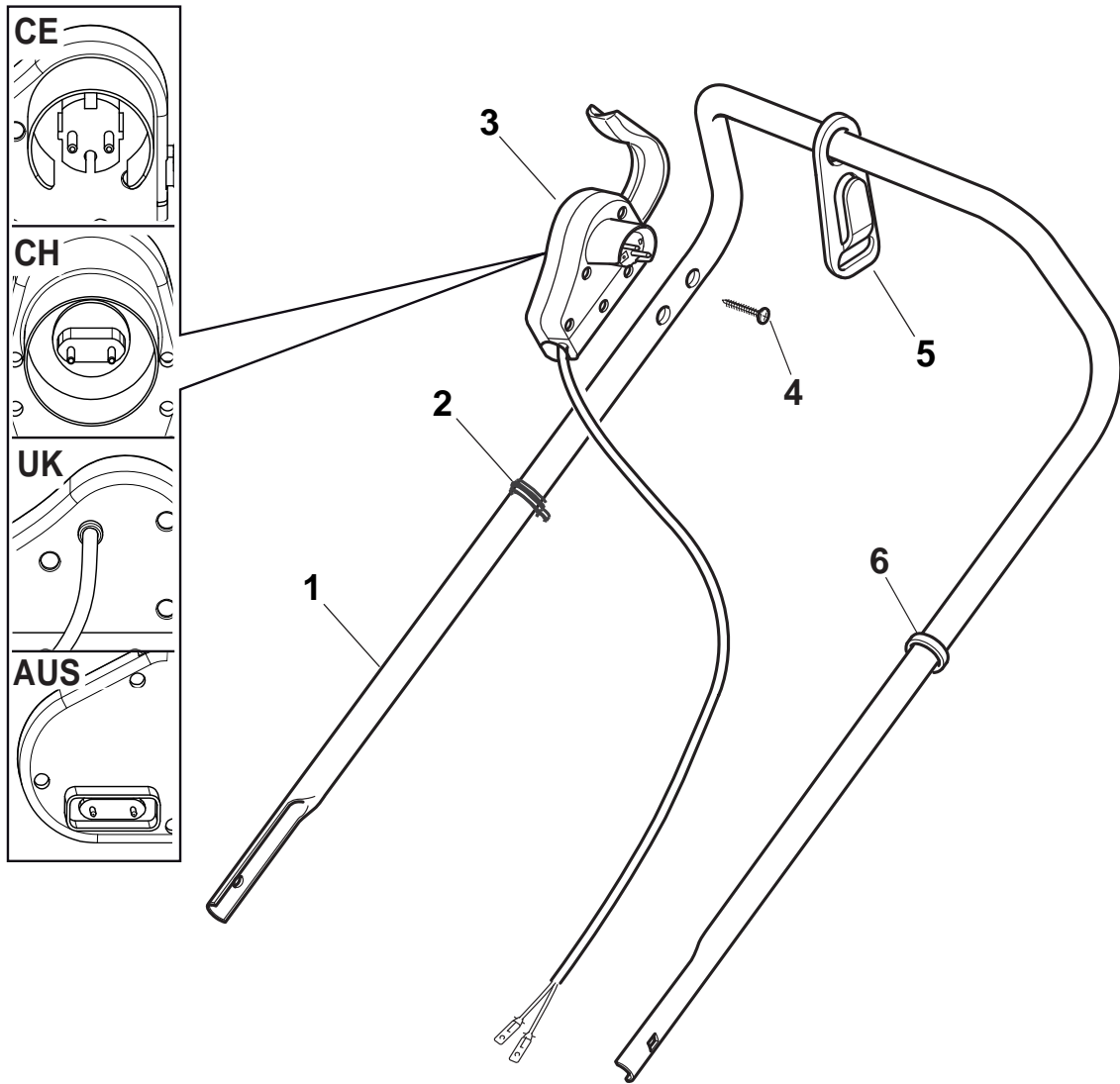
Deck And Height Adjusting

| POS | PART. NO | Q.ty | DESCRIPTION | DESCRIZIONE | DESCRIPTION | BESCHREIBUNG | REMARKS |
|-----|-------------|------|--------------------------|--------------------------|------------------------|------------------------|-----------------|
| 1 | 381002538/0 | 1 | Deck Red | Chassis Rosso | Châssis Rouge | Gehäuse Rot | |
| 1 | 381004745/0 | 1 | Deck Grey | Chassis Grigio | Châssis Gris | Gehäuse Grau | |
| 4 | 112760600/0 | 2 | Screw | Vite | Vis | Schraube | |
| 5 | 112155000/0 | 2 | Nut | Dado | Ecrou | Mutter | |
| 6 | 322600095/0 | 2 | Protection, Wheel | Protezione Ruote | Protection Roue | Schütz, Räder | |
| 7 | 325670011/0 | 2 | Washer | Rosetta | Rondelle | Scheibe | |
| 12 | 122033317/0 | 1 | Adjustment Rod | Asta Regolazione | Tige Reglage | Verstellungstange | |
| 13 | 381000159/0 | 1 | Axle, Rear Wheels | Asse Ruote Posteriore | Axe Roues Arriere | Achse, Hinterrad | |
| 14 | 122753001/0 | 2 | Pin | Perno | Pivot | Bolzen | |
| 15 | 122033369/0 | 1 | Axle, Rear Wheels | Asse Ruote Posteriore | Axe Roues Arriere | Achse, Hinterrad | |
| 16 | 322600106/1 | 2 | Protection, Wheel | Protezione Ruote | Protection Roue | Schütz, Räder | |
| 17 | 381003303/0 | 1 | Lever, Height Adjustment | Leva Regolazione Altezza | Levier Reglage Hauteur | Hebel, Höneverstellung | |
| 18 | 112728689/0 | 2 | Screw | Vite | Vis | Schraube | |
| 19 | 322170622/0 | 2 | Washer | Rosetta | Rondelle | Scheibe | |
| 26 | 122446186/0 | 1 | Spring | Molla | Ressort | Feder | Only 534 Models |



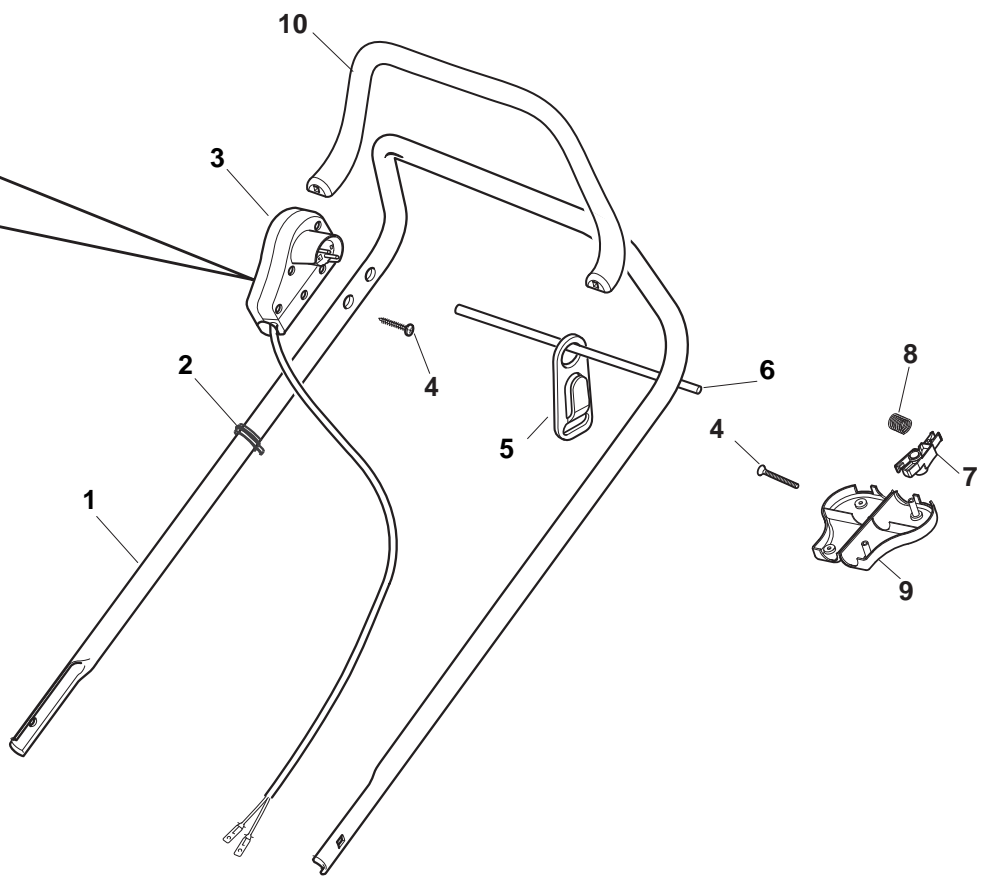
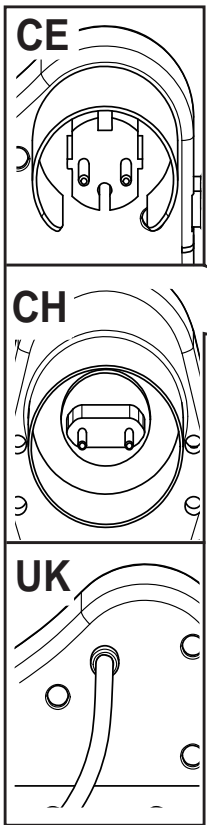
Handle, Lower Part

| POS | PART. NO | Q.ty | DESCRIPTION | DESCRIZIONE | DESCRIPTION | BESCHREIBUNG | REMARKS |
|-----|-------------|------|--------------------|-------------------------|------------------------------|--------------------|---------|
| 1 | 112760610/0 | 4 | Screw | Vite | Vis | Schraube | |
| 2 | 122671651/0 | 4 | Washer | Rosetta | Rondelle | Scheibe | |
| 3 | 322551579/0 | 2 | Isolation Plate | Piastrina Isolamento | Plaquette De Isolement | Absonderung Platte | |
| 4 | 381006600/0 | 1 | Handle, Lower Part | Manico, Parte Inferiore | Mancheron, Partie Inferieure | Holm, Unterteil | |
| 5 | 112819201/0 | 2 | Screw | Vite | Vis | Schraube | |
| 6 | 122680006/1 | 2 | Washer | Rosetta | Rondelle | Scheibe | |
| 7 | 322399804/1 | 2 | Knob | Manopolina | Poignée | Griff | |
| 8 | 112293200/0 | 2 | Nut | Dado | Ecrou | Mutter | |



Handle, Upper Part

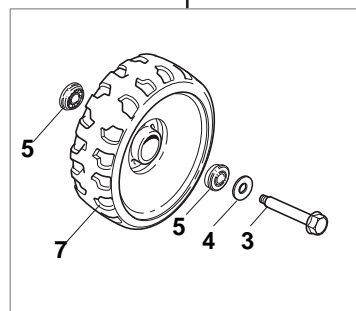
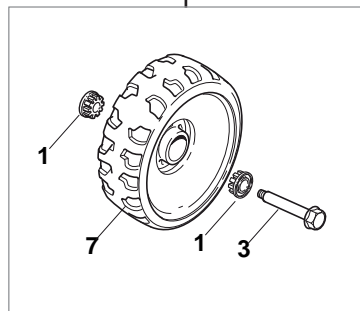
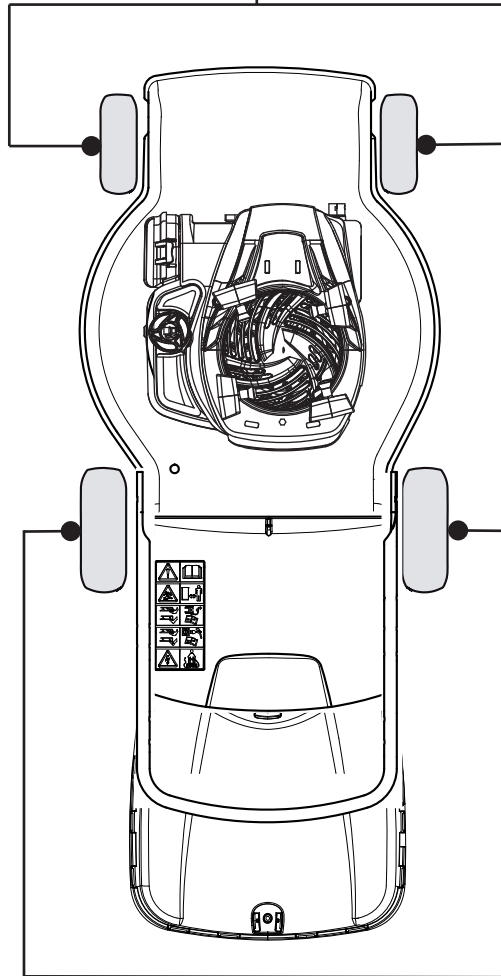
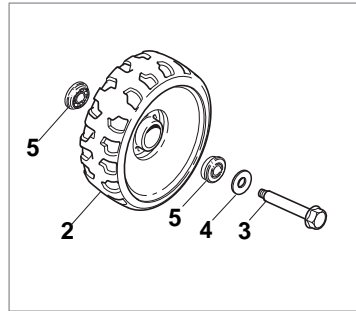
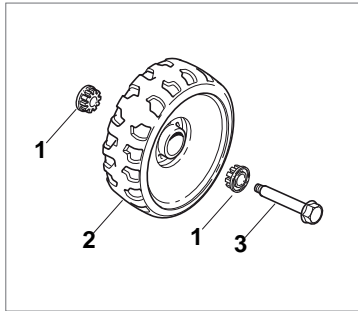
| POS | PART. NO | Q.ty | DESCRIPTION | DESCRIZIONE | DESCRIPTION | BESCHREIBUNG | REMARKS |
|-----|-------------|------|--------------------|-------------------|------------------------------|------------------|-------------|
| 1 | 381007017/2 | 1 | Handle, Upper Part | Manico, Parte Sup | Mancheron, Partie Superieure | Holm, Oberteil | |
| 2 | 122192000/1 | 2 | Clamp | Staffa | Etrier | Bride | |
| 3 | 118710628/0 | 1 | Dead Hand Switch | Salvatore | Int. Main Morte | Tot Manschalter | AUS/NZ plug |
| 3 | 381600500/3 | 1 | Dead Hand Switch | Salvatore | Int. Main Morte | Tot Manschalter | CE plug |
| 3 | 381600501/3 | 1 | Dead Hand Switch | Salvatore | Int. Main Morte | Tot Manschalter | CH plug |
| 3 | 381600502/3 | 1 | Dead Hand Switch | Salvatore | Int. Main Morte | Tot Manschalter | UK plug |
| 4 | 112728701/0 | 2 | Screw | Vite | Vis | Schraube | |
| 5 | 322195101/4 | 1 | Fairlead | Fermacavo | Fixation Cable | Kabelbefestigung | |
| 6 | 122192151/0 | 1 | Fairlead | Fermacavo | Fixation Cable | Kabelbefestigung | |



| Handle, Upper Part | | | | | | | |
|--------------------|-------------|------|----------------------------|---------------------------|------------------------------|----------------------------|---------|
| POS | PART. NO | Q.ty | DESCRIPTION | DESCRIZIONE | DESCRIPTION | BESCHREIBUNG | REMARKS |
| 1 | 381007017/2 | 1 | Handle, Upper Part | Manico, Parte Sup | Mancheron, Partie Superieure | Holm, Oberteil | |
| 2 | 122192000/1 | 2 | Clamp | Staffa | Etrier | Bride | |
| 3 | 381600503/5 | 1 | Dead Hand Switch | Salvatore | Int. Main Morte | Tot Manschalter | CE plug |
| 3 | 381600504/5 | 1 | Dead Hand Switch | Salvatore | Int. Main Morte | Tot Manschalter | CH plug |
| 3 | 381600505/5 | 1 | Dead Hand Switch | Salvatore | Int. Main Morte | Tot Manschalter | UK plug |
| 4 | 112728701/0 | 4 | Screw | Vite | Vis | Schraube | |
| 5 | 322195101/4 | 1 | Fairlead | Fermacavo | Fixation Cable | Kabelbefestigung | |
| 6 | 122010251/0 | 1 | Rod, Fairlead Bearing | Asta Aggancio Fermacavo | Tige Support Serrecable | Stange, Kabelhalter | |
| 7 | 322230350/1 | 1 | Fulcrum Pin | Perno Fulcro | Pivot | Gelenkpunkt | |
| 8 | 122450115/0 | 1 | Spring | Molla | Ressort | Feder | |
| 9 | 322785144/1 | 1 | Support | Supporto | Support | Halter | |
| 10 | 322322881/1 | 1 | Lever, Engine Brake Black | Leva Freno Motore Nero | Levier Frein Moteur Noir | Hebel, Motorbremse Schwarz | |
| 10 | 322322884/1 | 1 | Lever, Engine Brake Red | Leva Freno Motore, Rosso | Levier Frein Moteur Rouge | Hebel, Motorbremse, Rot | |
| 10 | 322322885/1 | 1 | Lever, Engine Brake Yellow | Leva Freno Motore, Giallo | Levier Frein Moteur Jaune | Hebel, Motorbremse, Gelb | |

BUSHING Version - Ø 165

BALL BEARING Version - Ø 165

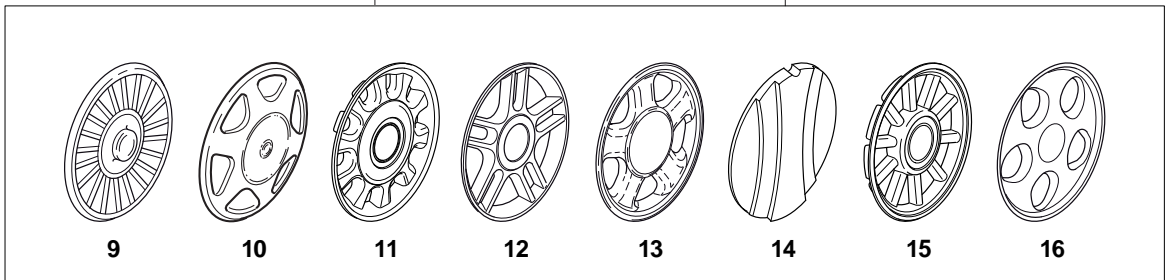
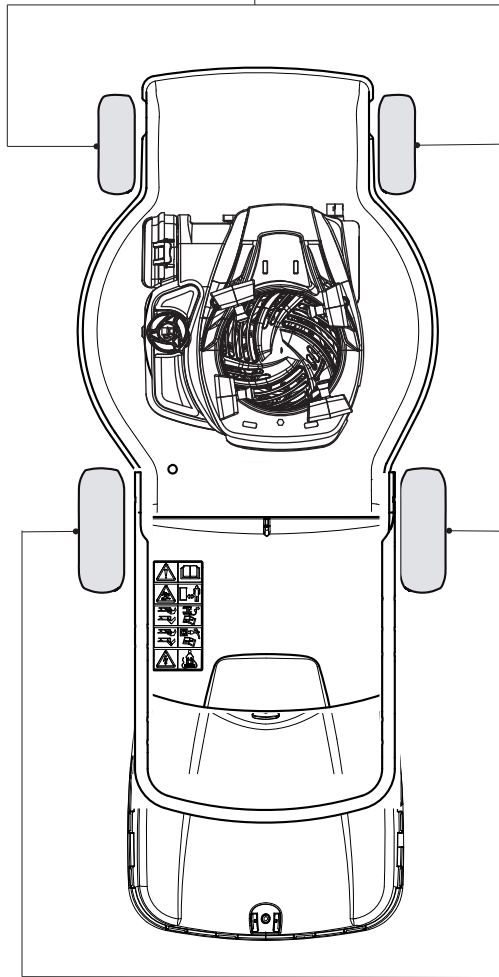
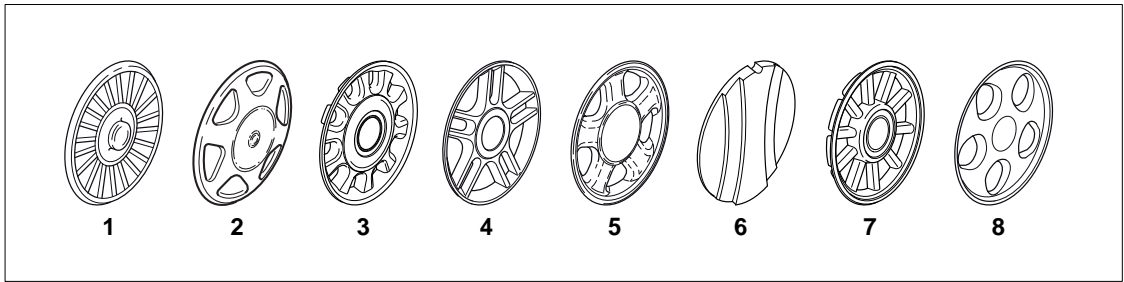


BUSHING Version - Ø 190

BALL BEARING Version - Ø 190

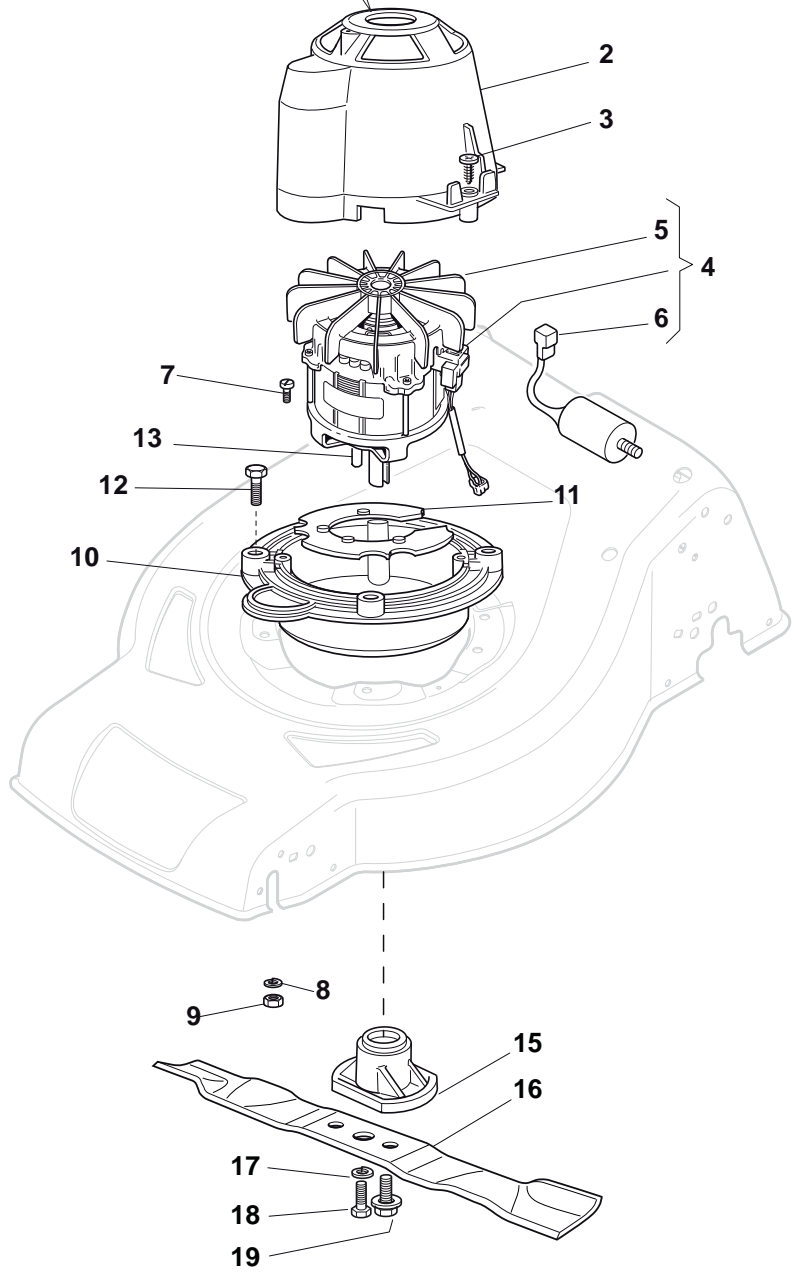
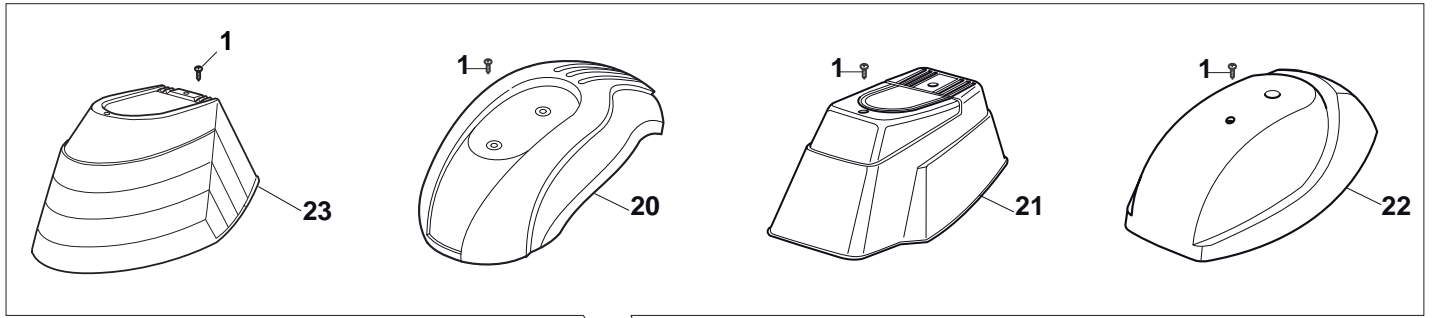
Wheels

| POS | PART. NO | Q.ty | DESCRIPTION | DESCRIZIONE | DESCRIPTION | BESCHREIBUNG | REMARKS |
|-----|-------------|------|-------------|-------------|-------------|--------------|---------|
| 1 | 122034508/0 | 8 | Bush | Bussola | Douille | Büchse | |
| 2 | 322686091/1 | 4 | Wheel Ø 165 | Ruota Ø 165 | Roue Ø 165 | Rad Ø 165 | |
| 3 | 122524341/0 | 4 | Pin | Perno | Pivot | Bolzen | |
| 4 | 122675100/0 | 4 | Washer | Rosetta | Rondelle | Scheibe | |
| 5 | 122122200/0 | 8 | Bearing | Cuscinetto | Coussinet | Lager | |
| 7 | 322686092/0 | 4 | Wheel Ø 190 | Ruota Ø 190 | Roue Ø190 | Rad Ø 190 | |



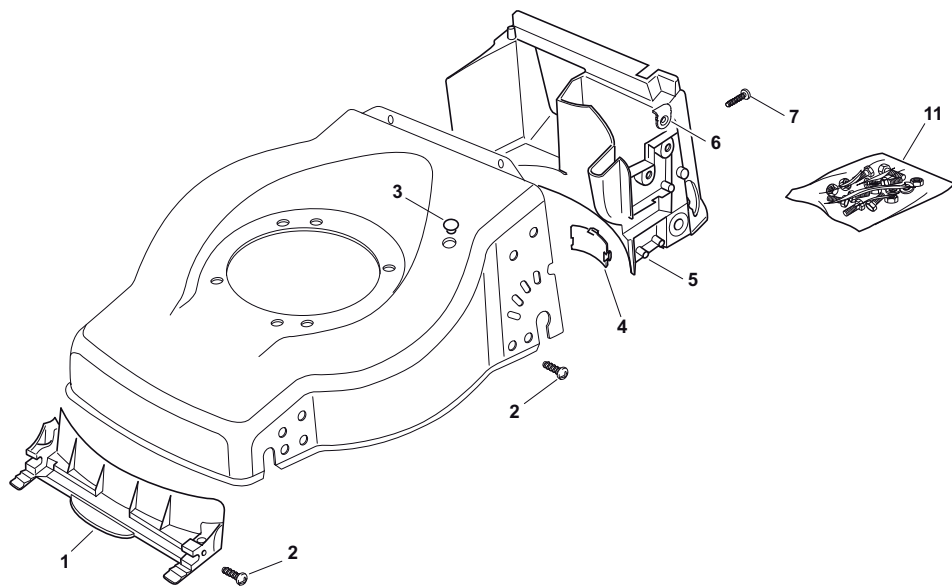
Hub Caps

| POS | PART. NO | Q.ty | DESCRIPTION | DESCRIZIONE | DESCRIPTION | BESCHREIBUNG | REMARKS |
|-----|-------------|------|----------------|-------------------|--------------------|---------------|---------|
| 1 | 322110347/0 | 2 | Hub Cap Grey | Coprимozzo Grigio | Couvre-Moyeu Gris | Radkappe Grau | |
| 2 | 322110395/0 | 2 | Hub Cap Grey | Coprимozzo Grigio | Couvre-Moyeu Gris | Radkappe Grau | |
| 3 | 322110493/0 | 2 | Hub Cap Grey | Coprимozzo Grigio | Couvre-Moyeu Gris | Radkappe Grau | |
| 4 | 322110491/0 | 2 | Hub Cap Grey | Coprимozzo Grigio | Couvre-Moyeu Gris | Radkappe Grau | |
| 5 | 322110381/0 | 2 | Hub Cap Grey | Coprимozzo Grigio | Couvre-Moyeu Gris | Radkappe Grau | |
| 6 | 122110252/1 | 2 | Hub Cap White | Coprимozzo Bianco | Couvre-Moyeu Blanc | Radkappe Weiß | |
| 6 | 122110254/1 | 2 | Hub Cap Yellow | Coprимozzo Giallo | Couvre-Moyeu Jaune | Radkappe Gelb | |
| 6 | 122110255/1 | 2 | Hub Cap Red | Coprимozzo Rosso | Couvre-Moyeu Rouge | Radkappe Rot | |
| 7 | 322110495/0 | 2 | Hub Cap Grey | Coprимozzo Grigio | Couvre-Moyeu Gris | Radkappe Grau | |
| 8 | 322110416/0 | 2 | Hub Cap Grey | Coprимozzo Grigio | Couvre-Moyeu Gris | Radkappe Grau | |
| 9 | 322110348/0 | 2 | Hub Cap Grey | Coprимozzo Grigio | Couvre-Moyeu Gris | Radkappe Grau | |
| 10 | 322110314/0 | 2 | Hub Cap Grey | Coprимozzo Grigio | Couvre-Moyeu Gris | Radkappe Grau | |
| 11 | 322110494/0 | 2 | Hub Cap Grey | Coprимozzo Grigio | Couvre-Moyeu Gris | Radkappe Grau | |
| 12 | 322110491/0 | 2 | Hub Cap Grey | Coprимozzo Grigio | Couvre-Moyeu Gris | Radkappe Grau | |
| 13 | 322110382/0 | 2 | Hub Cap Grey | Coprимozzo Grigio | Couvre-Moyeu Gris | Radkappe Grau | |
| 14 | 122110251/0 | 2 | Hub Cap White | Coprимozzo Bianco | Couvre-Moyeu Blanc | Radkappe Weiß | |
| 14 | 122110253/0 | 2 | Hub Cap Yellow | Coprимozzo Giallo | Couvre-Moyeu Jaune | Radkappe Gelb | |
| 14 | 122110256/0 | 2 | Hub Cap Red | Coprимozzo Rosso | Couvre-Moyeu Rouge | Radkappe Rot | |
| 15 | 322110496/0 | 2 | Hub Cap Grey | Coprимozzo Grigio | Couvre-Moyeu Gris | Radkappe Grau | |
| 16 | 322110416/0 | 2 | Hub Cap Grey | Coprимozzo Grigio | Couvre-Moyeu Gris | Radkappe Grau | |



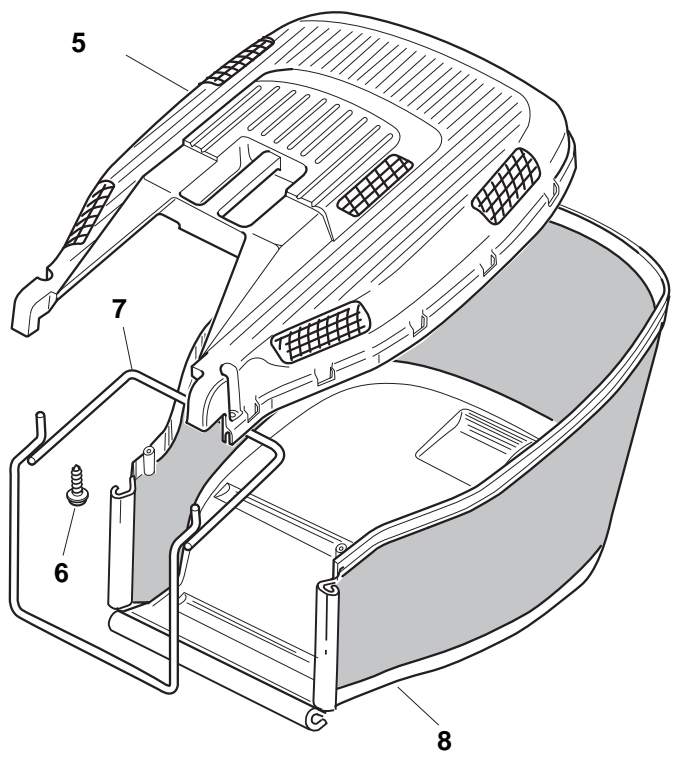
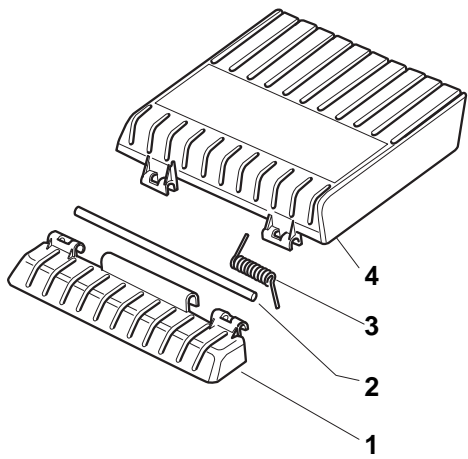
Electric Motor, Blade and Covers

| POS | PART. NO | Q.ty | DESCRIPTION | DESCRIZIONE | DESCRIPTION | BESCHREIBUNG | REMARKS |
|-----|-------------|------|--------------------|--------------------|--------------------|-------------------|--------------|
| 1 | 112728680/0 | 2 | Screw | Vite | Vis | Schraube | |
| 2 | 322785210/0 | 1 | Support, Cover | Supporto Capottina | Support Capot | Halter, Haube | |
| 3 | 112728710/0 | 4 | Screw | Vite | Vis | Schraube | |
| 4 | 118563605/0 | 1 | Motor ATB | Motore ATB | Moteur ATB | Motor ATB | 240V (1600W) |
| 4 | 118563640/0 | 1 | Motor ATB | Motore ATB | Moteur ATB | Motor ATB | 230V (1800W) |
| 5 | 118740054/0 | 1 | Fan Motor Atb | Ventola Per Motore | Ventilateur Moteur | Lüfter Motor Atb | |
| 6 | 118222039/0 | 1 | Condenser 25 µf | Condensatore 25 µf | Condenseur 25 µf | Kondensator 25 µf | 230V (1800W) |
| 6 | 118222045/0 | 1 | Condenser 16 µf | Condensatore 16 µf | Condenseur 16 µf | Kondensator 16 µf | 240V (1600W) |
| 7 | 112735410/0 | 4 | Screw | Vite | Vis | Schraube | |
| 8 | 112583500/0 | 4 | Grower | Grower | Grower | Federring | |
| 9 | 112293200/0 | 4 | Nut | Dado | Ecrou | Mutter | |
| 10 | 322207211/4 | 1 | Flange | Flangia | Bride | Flansch | |
| 10 | 322207216/0 | 1 | Flange | Flangia | Bride | Flansch | |
| 11 | 322720360/2 | 1 | Ventilation Screen | Schermo | Ecran Ventilation | Lüftungschirm | |
| 12 | 112793700/0 | 4 | Screw | Vite | Vis | Schraube | |
| 13 | 112139440/0 | 1 | Feather | Linguetta | Clavette | Keil | |
| 15 | 322463186/3 | 1 | Hub | Mozzo | Moyeu | Nabe | |
| 16 | 181004365/3 | 1 | Blade | Coltello | Lame | Messer | |
| 17 | 112583500/0 | 2 | Grower | Grower | Grower | Federring | |
| 18 | 112793101/0 | 2 | Screw | Vite | Vis | Schraube | |
| 19 | 381004352/1 | 1 | Screw | Vite | Vis | Schraube | |
| 20 | 122055065/0 | 1 | Cover, Black | Copertura, Nero | Couvre, Noir | Kappe, Schwarz | |
| 21 | 122055045/1 | 1 | Cover, Black | Copertura, Nero | Couvre, Noir | Kappe, Schwarz | |
| 21 | 322055139/0 | 1 | Cover, Yellow | Capottina Gialla | Capot Jaune | Kappe, Gelb | |
| 22 | 122055058/0 | 1 | Cover, Black | Copertura, Nero | Couvre, Noir | Kappe, Schwarz | |
| 23 | 122055033/1 | 1 | Cover, Black | Copertura, Nero | Couvre, Noir | Kappe, Schwarz | |



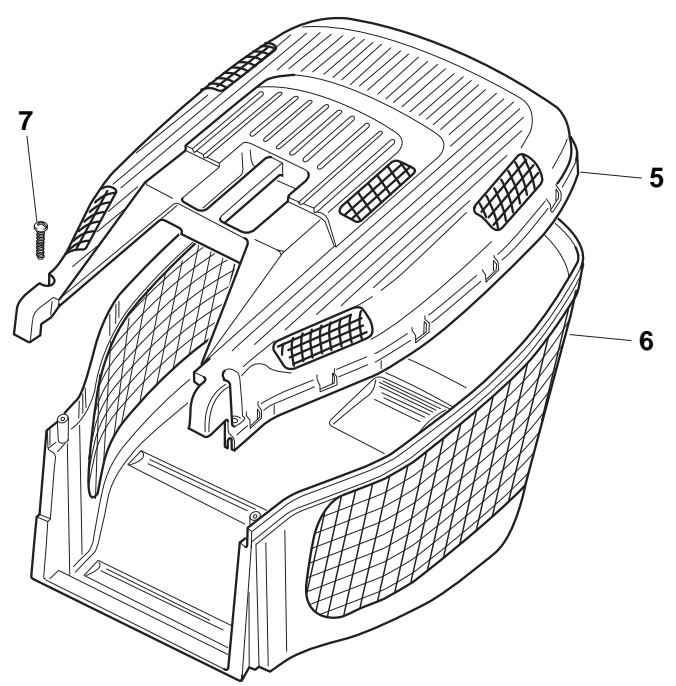
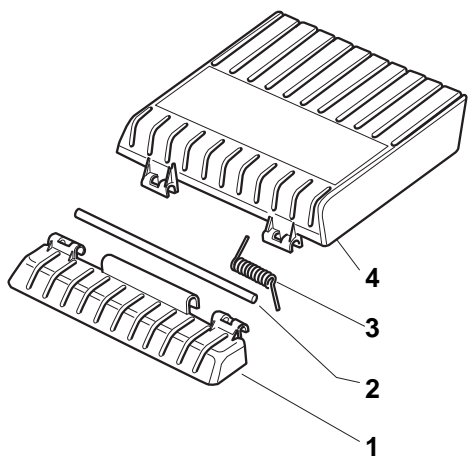
Front Conveyor Assy

| POS | PART. NO | Q.ty | DESCRIPTION | DESCRIZIONE | DESCRIPTION | BESCHREIBUNG | REMARKS |
|-----|-------------|------|---------------------|---------------------|----------------------|-----------------------|---------|
| 1 | 322108271/0 | 1 | Front Conveyor Assy | Convogl. Anteriore | Convoyeur Avant | Hinterleitblechvorder | |
| 2 | 112728686/0 | 6 | Screw | Vite | Vis | Schraube | |
| 3 | 322820077/0 | 1 | Cap | Puntale | Bouchon | Gummistopfen | |
| 4 | 322109532/0 | 1 | Cover | Capottina | Capot | Haube | |
| 5 | 322108272/2 | 1 | Rear Conveyor Assy | Convogl. Posteriore | Ens. Convoyeur Post. | Hinterleitblechsatz | |
| 6 | 322545189/0 | 4 | Plate | Piastrina | Plaquette | Plättchen | |
| 7 | 112728686/0 | 2 | Screw | Vite | Vis | Schraube | |
| 11 | 381008649/0 | 1 | Outfit, Screws | Dotazione Viteria | Dotation Visserie | Satz, Schrauben | |



Grass-Catcher

| POS | PART. NO | Q.ty | DESCRIPTION | DESCRIZIONE | DESCRIPTION | BESCHREIBUNG | REMARKS |
|-----|-------------|------|---------------------|-----------------|------------------|---------------|---------|
| 1 | 322785136/1 | 1 | Support | Supporto | Support | Halter | |
| 2 | 122517858/0 | 1 | Pin | Perno | Pivot | Bolzen | |
| 3 | 122450431/0 | 1 | Spring | Molla | Ressort | Feder | |
| 4 | 322600099/2 | 1 | Stone-Guard | Parasassi | Pare-Pierres | Prallblech | |
| 5 | 322486122/0 | 1 | Grassbox Upper Part | Parte Sup.Sacco | Sac, Partie Sup. | Korb Oberteil | |
| 6 | 112728686/0 | 2 | Screw | Vite | Vis | Schraube | |
| 7 | 181006419/0 | 1 | Chassis Box | Telaio Sacco | Châssis Bac | Rahmen Sack | |
| 8 | 181002229/0 | 1 | Box, Fabric | Sacco, Tela | Sac, Toile | Sack, Tuck | |



Grass-Catcher

| POS | PART. NO | Q.ty | DESCRIPTION | DESCRIZIONE | DESCRIPTION | BESCHREIBUNG | REMARKS |
|-----|-------------|------|---------------------|--------------------|------------------------|----------------|---------|
| 1 | 322785136/1 | 1 | Support | Supporto | Support | Halter | |
| 2 | 122517858/0 | 1 | Pin | Perno | Pivot | Bolzen | |
| 3 | 122450431/0 | 1 | Spring | Molla | Ressort | Feder | |
| 4 | 322600099/2 | 1 | Stone-Guard | Parasassi | Pare-Pierres | Prallblech | |
| 5 | 322486122/0 | 1 | Grassbox Upper Part | Parte Sup.Sacco | Sac, Partie Sup. | Korb Oberteil | |
| 6 | 322486128/0 | 1 | Grassbox Lower Part | Parte Infer. Sacco | Sac, Partie Inferieure | Korb Unterteil | |
| 7 | 112728686/0 | 2 | Screw | Vite | Vis | Schraube | |