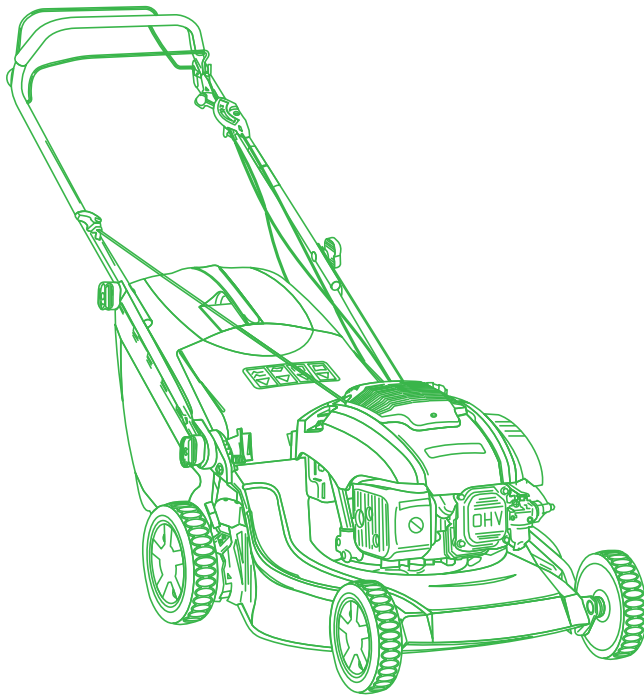


# ILLUSTRATED PARTS LIST

## MCS 504 TR 4S MCS 504 TR/E 4S

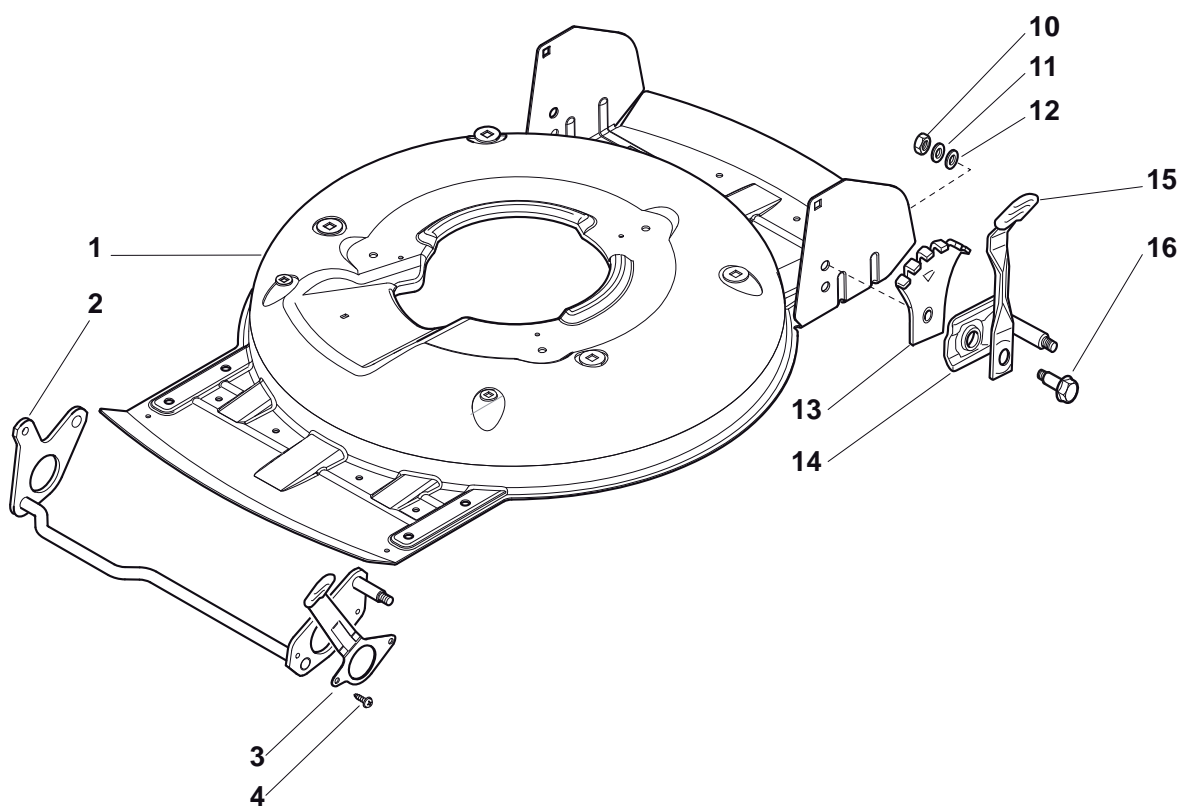


- Use GLOBAL GARDEN PRODUCT Genuine Spare Parts specified in the parts list for repair and/or replacement.
- The contents described in the parts list may change due to improvement.
- The drawings of the spare parts are only indicative and might not represent the part in question exactly.
- The indications "right" - "left" - "front" - "rear" refer to the position of the operator when using the machine.
- When placing orders of parts for repair and/or replacement, make sure that the illustrated parts list is the one applying to the machine's year of manufacture, as shown on the identification plate attached to the machine.

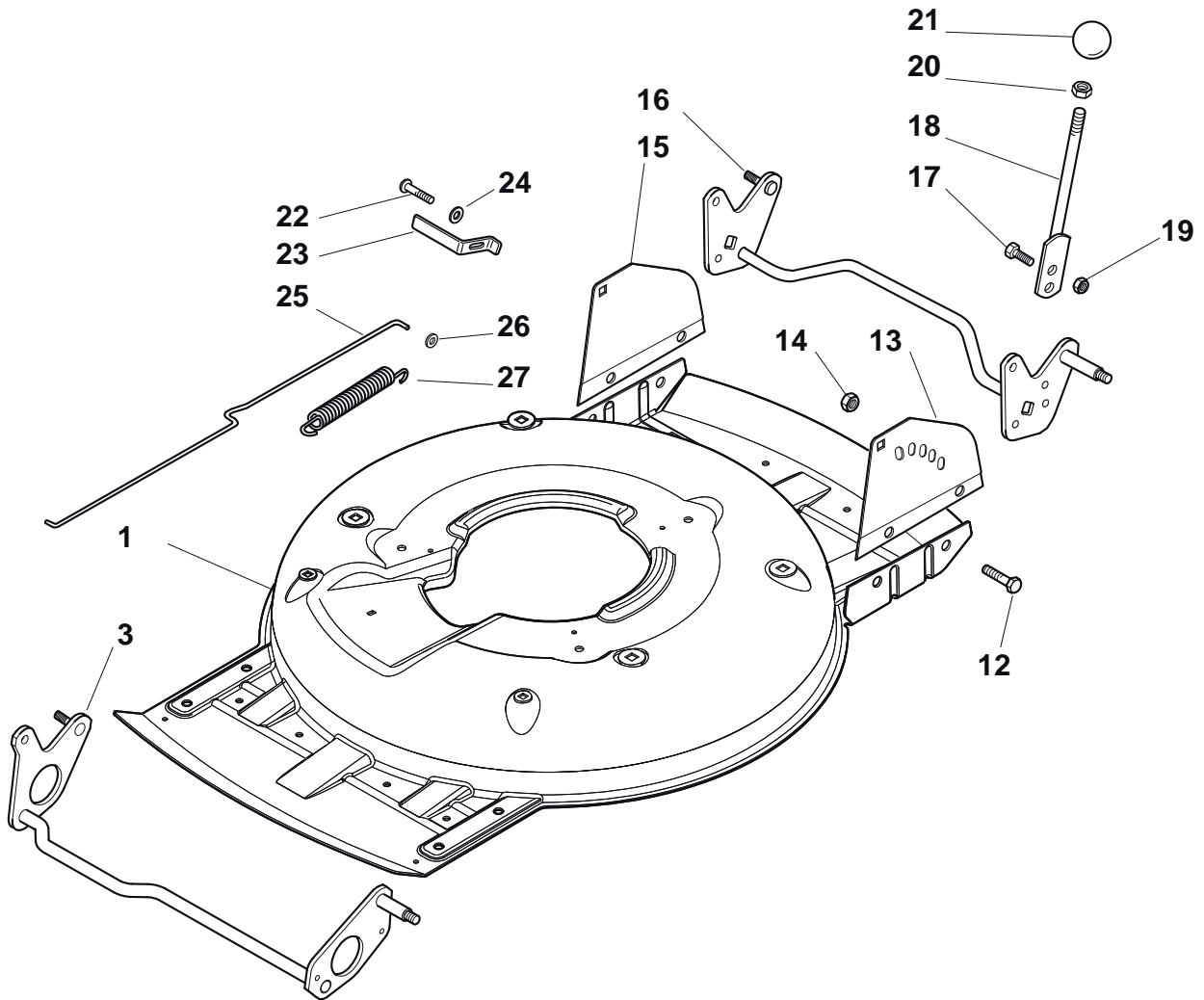
© Copyright 2014 Global Garden Products

All content is subject to copyright by Global Garden Products and may not be reproduced in whole or in part by any means, electronic or otherwise, without prior written approval.

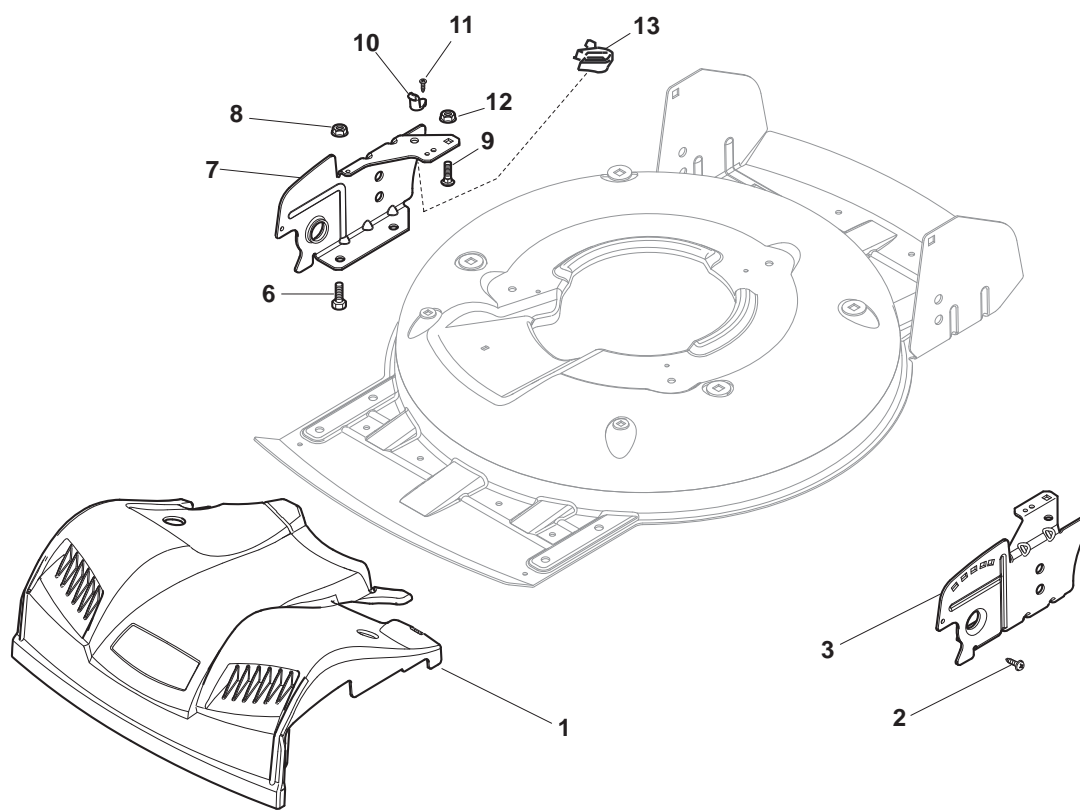
THIS INFORMATION IS NOT INTENDED FOR SALE OR RESALE, AND THIS NOTICE MUST REMAIN ON ALL COPIES.



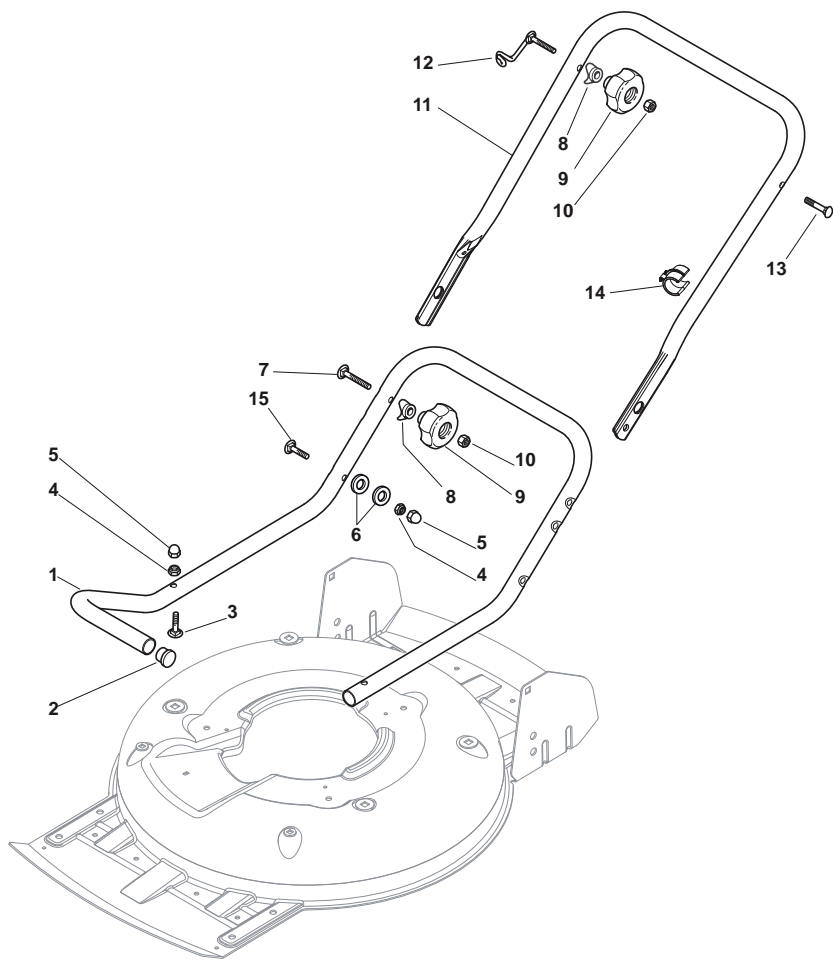
Deck							
POS	PART. NO	Q.ty	DESCRIPTION	DESCRIZIONE	DESCRIPTION	BESCHREIBUNG	REMARKS
1	381004734/0	1	Deck Grey	Chassis Grigio	Châssis Gris	Gehäuse Grau	
2	381302861/1	1	Axle, Front Wheels	Asse Ruote Anteriori	Axe Roues Avant	Achse, Vorderrad	
3	381003412/0	1	Lever, Height Adjustment	Leva Regolazione Altezza	Levier Reglage Hauteur	Hebel, Höneverstellung	
4	112735661/0	2	Screw	Vite	Vis	Schraube	
10	112293200/0	2	Nut	Dado	Ecrou	Mutter	
11	112583500/0	2	Grower	Grower	Grower	Federring	
12	112523070/0	2	Washer	Rosetta	Rondelle	Scheibe	
13	322735547/0	2	Sector, Height Adjustment	Settore Regolazione Altezza	Secteur Reglage Hauteur	Sektor, Höneverstellung	
14	381005175/0	2	Support, Wheel	Supporto Ruota	Support Roue	Halter, Rad	Ø 210
15	481003286/0	2	Lever, Height Adjustment	Leva Regolazione Altezza	Levier Reglage Hauteur	Hebel, Höneverstellung	
16	122519811/0	2	Pin	Perno	Pivot	Bolzen	



Deck							
POS	PART. NO	Q.ty	DESCRIPTION	DESCRIZIONE	DESCRIPTION	BESCHREIBUNG	REMARKS
1	322064691/0	1	Deck INOX	Chassis INOX	Châssis INOX	Gehäuse INOX	
1	381004735/0	1	Deck Grey	Chassis Grigio	Châssis Gris	Gehäuse Grau	
3	381302861/1	1	Axle, Front Wheels	Asse Ruote Anteriori	Axe Roues Avant	Achse, Vorderrad	
12	112791011/0	4	Screw	Vite	Vis	Schraube	
13	322545169/0	1	Left Plate, INOX	Piastrina Sinistra, INOX	Plaquette Gauche, INOX	Plättchen Linke, INOX	
13	381545105/0	1	Left Plate	Piastrina Sinistra	Plaquette G	Plättchen L	
14	112154510/0	4	Nut	Dado	Ecrou	Mutter	
15	322545167/0	1	Right Plate, INOX	Piastrina Destra, INOX	Plaquette Droit, INOX	Plättchen Rechte, INOX	
15	381545104/0	1	Right Plate	Piastrina Destra	Plaquette D	Plättchen R	
16	381302861/1	1	Axle, Rear Wheels	Asse Ruote Posteriore	Axe Roues Arriere	Achse, Hinterrad	
17	112789000/0	2	Screw	Vite	Vis	Schraube	
18	381003323/0	1	Lever, Height Adjustment	Leva Regolazione Altezza	Levier Reglage Hauteur	Hebel, Höneverstellung	
19	112154330/0	2	Nut	Dado	Ecrou	Mutter	
20	112293200/0	1	Nut	Dado	Ecrou	Mutter	
21	322399812/0	1	Knob	Manopolina	Poignée	Griff	
22	112735661/0	2	Screw	Vite	Vis	Schraube	
23	322551529/0	2	Plate	Piastrina	Plaquette	Plättchen	
24	112521330/0	2	Washer	Rosetta	Rondelle	Scheibe	
25	122033329/0	1	Rod, Height Adjustment Control	Asta Comando Regolazione Altezza	Tige Commande Reglage Hauteur	Stange, Höneverstellung	
26	112604899/0	2	Crown Fastener	Fissatore A Corona	Fixateur A Couronne	Kronescheibe	
27	122446184/0	1	Spring	Molla	Ressort	Feder	

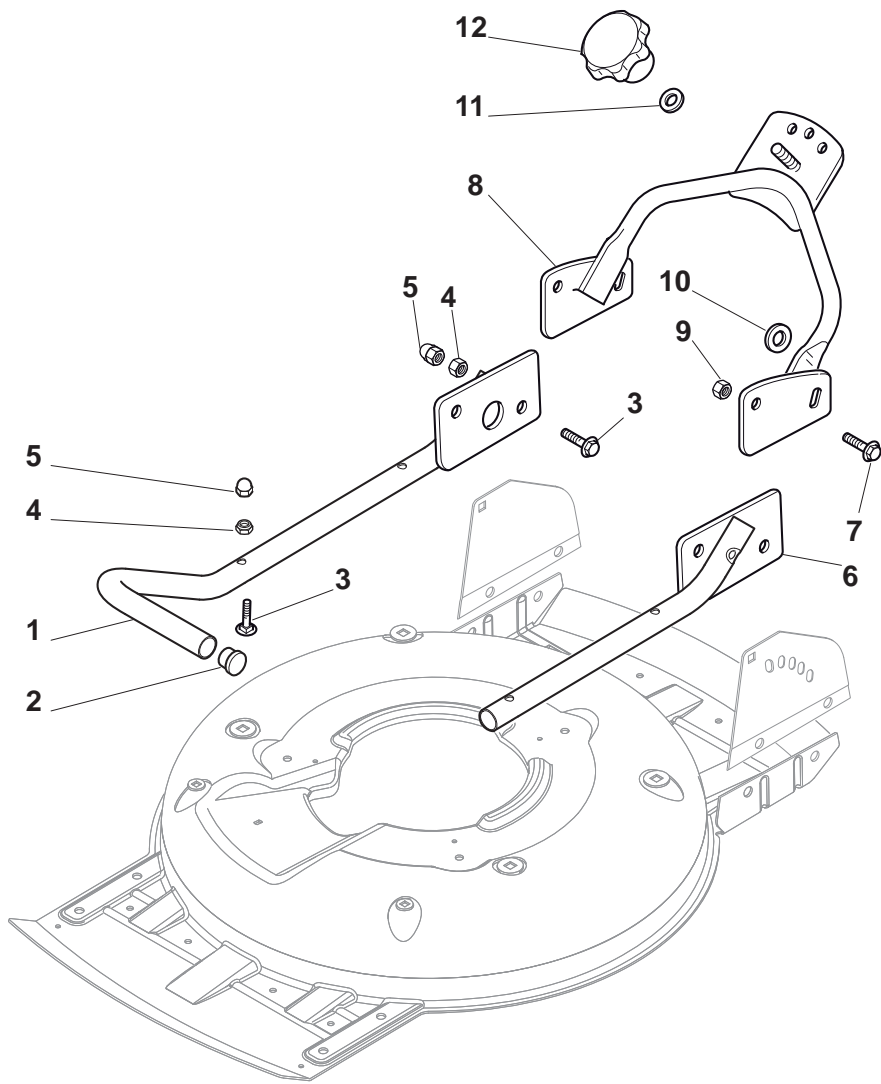


Mask							
POS	PART. NO	Q.ty	DESCRIPTION	DESCRIZIONE	DESCRIPTION	BESCHREIBUNG	REMARKS
1	322226097/1	1	Mask, Yellow	Mascherina, Giallo	Mesque, Jaune	Maske, Gelb	
1	322226098/1	1	Mask, Grey	Mascherina, Grigio	Mesque Gris	Maske Grau	
1	322226133/0	1	Mask, Black	Mascherina, Nero	Mesque, Noir	Maske, Schwarz	
1	322226197/0	1	Mask, Grey	Mascherina, Grigio	Mesque Gris	Maske Grau	Stiga Models
2	112728450/0	2	Screw	Vite	Vis	Schraube	
3	322778421/0	1	Bracket, L	Staffa Sx	Etrier Gauche	Steigbügel, Linke	
6	112792611/0	4	Screw	Vite	Vis	Schraube	
7	322778419/0	1	Bracket, R	Staffa Dx	Etrier Droit	Steigbügel, Rechte	
8	112293201/0	4	Nut	Dado	Ecrou	Mutter	
9	112815200/0	2	Screw	Vite	Vis	Schraube	
10	322020400/0	2	Fairlead	Aggancio	Support Serrecable	Kabelhalter	
11	112728523/0	2	Screw	Vite	Vis	Schraube	
12	112292102/0	2	Nut	Dado	Ecrou	Mutter	
13	133320506/0	2	Fairlead	Fermacavo	Fixation Cable	Kabelbefestigung	

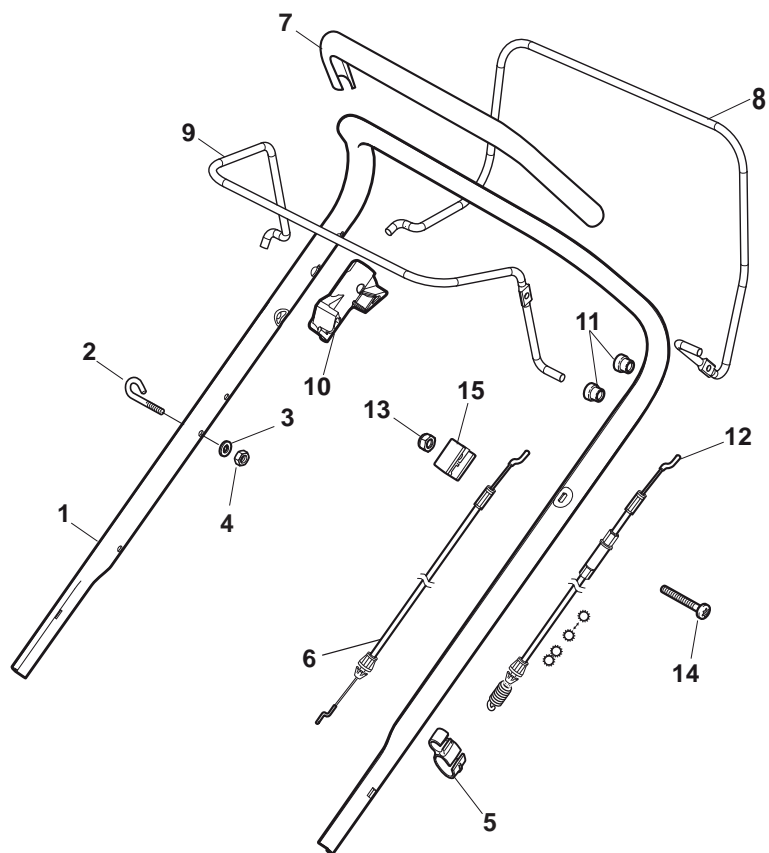




Handle, Lower Part							
POS	PART. NO	Q.ty	DESCRIPTION	DESCRIZIONE	DESCRIPTION	BESCHREIBUNG	REMARKS
1	381006667/0	1	Handle, Lower Part	Manico, Parte Inferiore	Mancheron, Partie Inferieure	Holm, Unterteil	
2	118566110/0	2	Cap	Puntale	Bouchon	Gummistopfen	
3	112818900/0	4	Screw	Vite	Vis	Schraube	
4	112155000/0	4	Nut	Dado	Ecrou	Mutter	
5	118203854/0	4	Protection	Cappuccio	Capuchon	Stecker	
6	112819100/0	2	Screw	Vite	Vis	Schraube	
7	112819201/0	2	Screw	Vite	Vis	Schraube	
8	122671651/0	4	Washer	Rosetta	Rondelle	Scheibe	
9	322399804/1	4	Knob	Manopolina	Poignée	Griff	
10	112293200/0	4	Nut	Dado	Ecrou	Mutter	
11	381006668/0	1	Handle, Middle Part	Manico, Parte Intermedia	Mancheron	Holm	
12	122430313/0	1	Guide Spring	Molla Guida	Ressort De Guide	Feder Führer	
13	112819201/0	1	Screw	Vite	Vis	Schraube	
14	118390020/0	1	Fairlead	Fermacavo	Fixation Cable	Kabelbefestigung	
15	112521370/0	2	Washer	Rosetta	Rondelle	Scheibe	

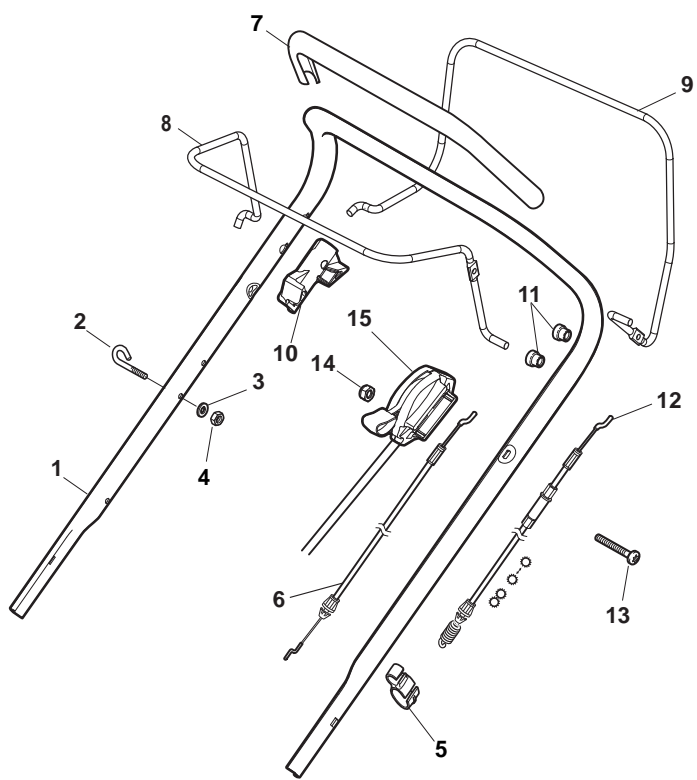


Handle, Lower Part							
POS	PART. NO	Q.ty	DESCRIPTION	DESCRIZIONE	DESCRIPTION	BESCHREIBUNG	REMARKS
1	381006373/0	1	Right Handle, Lower Part Yellow	Manico, Parte Inf Dx, Giallo	Mancheron, Partie Inferieure Jaune	Holm, Unterteil Gelb	
1	381006377/0	1	Right Handle, Lower Part Black	Manico, Parte Inf Dx, Nero	Mancheron, Partie Inferieure Noir	Holm, Unterteil Schwarz	
2	118566114/0	4	Cap	Puntale	Bouchon	Gummistopfen	
3	112819100/0	6	Screw	Vite	Vis	Schraube	
4	112155000/0	6	Nut	Dado	Ecrou	Mutter	
5	118203854/0	6	Protection	Cappuccio	Capuchon	Stecker	
6	381006375/0	1	Left Handle, Lower Part Yellow	Manico, Parte Inf Sx, Giallo	Mancheron, Partie Inferieure Jaune	Holm, Unterteil Gelb	
6	381006379/0	1	Left Handle, Lower Part Black	Manico, Parte Inf Sx, Nero	Mancheron, Partie Inferieure Noir	Holm, Unterteil Schwarz	
7	112793102/0	4	Screw	Vite	Vis	Schraube	
8	381006361/1	1	Handle, Middle Part Yellow	Manico, Parte Intermedia Giallo	Mancheron Jaune	Holm Gelb	
8	381006365/1	1	Handle, Middle Part Black	Manico, Parte Intermedia Nero	Mancheron Noir	Holm Schwarz	
9	112155000/0	4	Nut	Dado	Ecrou	Mutter	
10	112523060/0	2	Washer	Rosetta	Rondelle	Scheibe	
11	112523080/0	1	Washer	Rosetta	Rondelle	Scheibe	
12	322399813/0	1	Knob	Manopolina	Poignée	Griff	



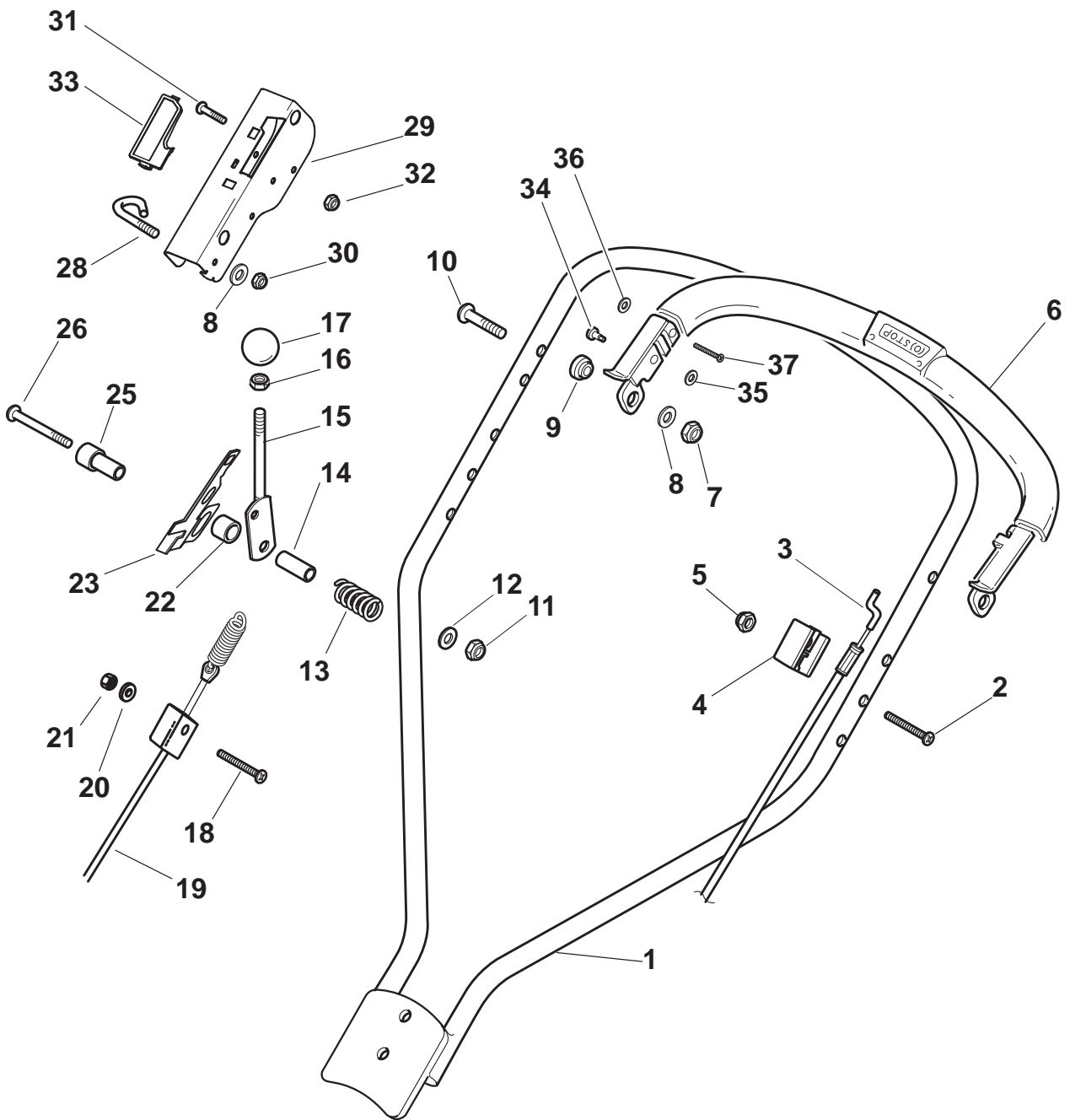
**Handle, Upper Part - ERGO**

POS	PART. NO	Q.ty	DESCRIPTION	DESCRIZIONE	DESCRIPTION	BESCHREIBUNG	REMARKS
1	381006838/0	1	Handle, Upper Part	Manico, Parte Sup	Mancheron, Partie Superieure	Holm, Oberteil	
2	122430313/0	1	Guide Spring	Molla Guida	Ressort De Guide	Feder Führer	
3	112521330/0	1	Washer	Rosetta	Rondelle	Scheibe	
4	112154510/0	1	Nut	Dado	Ecrou	Mutter	
5	118390020/0	1	Fairlead	Fermacavo	Fixation Cable	Kabelbefestigung	
6	181030053/0	1	Cable, Thread Engine Brake	Cavo Freno Motore	Cable Frein Moteur	Kabel, Motorbremse	for GGP 150 Engine
6	181030056/0	1	Cable, Thread Engine Brake	Cavo Freno Motore	Cable Frein Moteur	Kabel, Motorbremse	for B&S-GGP-Honda Engine
6	181030069/1	1	Cable, Thread Engine Brake	Cavo Freno Motore	Cable Frein Moteur	Kabel, Motorbremse	for GGP 100cc - B&S 450E series
7	122291050/0	1	Handgrip Black	Impugnatura Manico Nera	Poignée Noir	Handgriff Schwarz	
8	181003300/1	1	Lever, Engine Brake Black	Leva Freno Motore Nero	Levier Frein Moteur Noir	Hebel, Motorbremse Schwarz	
8	381003374/0	1	Lever, Engine Brake Yellow	Leva Freno Motore, Giallo	Levier Frein Moteur Jaune	Hebel, Motorbremse, Gelb	
9	181003301/0	1	Lever, Driving Black	Leva Trazione Nero	Levier Traction Noir	Hebel, Antrieb Schwarz	
9	381003373/1	1	Lever, Driving Yellow	Leva Trazione Giallo	Levier Traction Jaune	Hebel, Antrieb Gelb	
10	322545204/0	1	Fulcrum Pin	Perno Fulcro	Pivot	Gelenkpunkt	
11	122041966/0	4	Bush	Bussola	Douille	Büchse	
12	381030096/0	1	Cable, Rear Drive	Cavo Comando Trazione	Câble, Comm. Traction	Kabel, Antrieb	
13	112154510/0	1	Nut	Dado	Ecrou	Mutter	
14	112727783/0	1	Screw	Vite	Vis	Schraube	
15	322551640/0	1	Plate	Piastrina	Plaquette	Plättchen	



**Handle, Upper Part - ERGO**

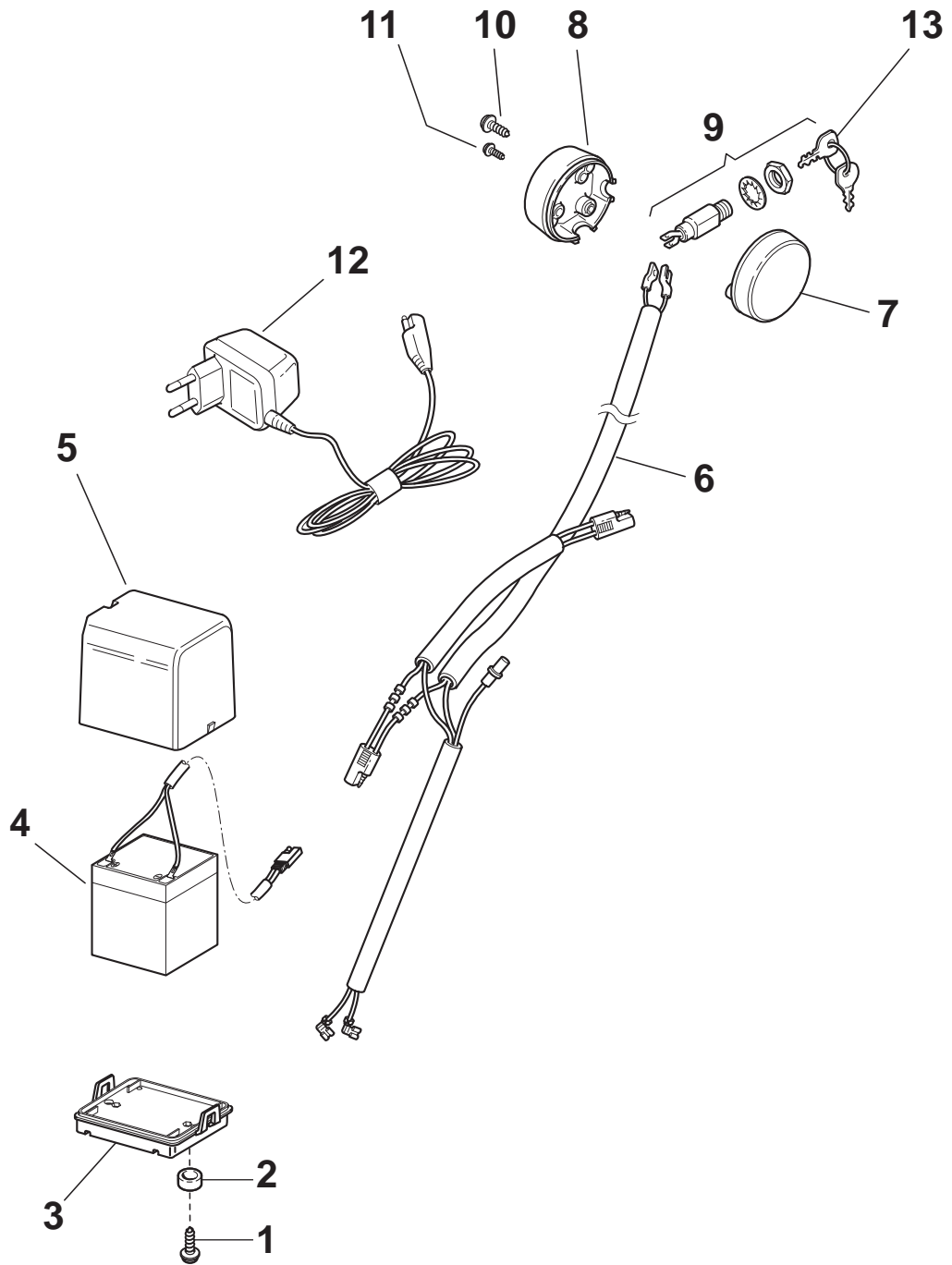
POS	PART. NO	Q.ty	DESCRIPTION	DESCRIZIONE	DESCRIPTION	BESCHREIBUNG	REMARKS
1	381006838/0	1	Handle, Upper Part	Manico, Parte Sup	Mancheron, Partie Superieure	Holm, Oberteil	
2	122430313/0	1	Guide Spring	Molla Guida	Ressort De Guide	Feder Führer	
3	112521330/0	1	Washer	Rosetta	Rondelle	Scheibe	
4	112154510/0	1	Nut	Dado	Ecrou	Mutter	
5	118390020/0	1	Fairlead	Fermacavo	Fixation Cable	Kabelbefestigung	
6	181030053/0	1	Cable, Thread Engine Brake	Cavo Freno Motore	Cable Frein Moteur	Kabel, Motorbremse	for GGP 150 Engine
6	181030056/0	1	Cable, Thread Engine Brake	Cavo Freno Motore	Cable Frein Moteur	Kabel, Motorbremse	for B&S-GGP-Honda Engine
6	181030069/1	1	Cable, Thread Engine Brake	Cavo Freno Motore	Cable Frein Moteur	Kabel, Motorbremse	for GGP 100cc - B&S 450E series
7	122291050/0	1	Handgrip Black	Impugnatura Manico Nera	Poignée Noir	Handgriff Schwarz	
8	181003300/1	1	Lever, Engine Brake Black	Leva Freno Motore Nero	Levier Frein Moteur Noir	Hebel, Motorbremse Schwarz	
8	381003374/0	1	Lever, Engine Brake Yellow	Leva Freno Motore, Giallo	Levier Frein Moteur Jaune	Hebel, Motorbremse, Gelb	
9	181003301/0	1	Lever, Driving Black	Leva Trazione Nero	Levier Traction Noir	Hebel, Antrieb Schwarz	
9	381003373/1	1	Lever, Driving Yellow	Leva Trazione Giallo	Levier Traction Jaune	Hebel, Antrieb Gelb	
10	322545204/0	1	Fulcrum Pin	Perno Fulcro	Pivot	Gelenkpunkt	
11	122041966/0	4	Bush	Bussola	Douille	Büchse	
12	381030096/0	1	Cable, Rear Drive	Cavo Comando Trazione	Câble, Comm. Traction	Kabel, Antrieb	
13	112727788/0	1	Screw	Vite	Vis	Schraube	
14	112154510/0	1	Nut	Dado	Ecrou	Mutter	
15	181005504/1	1	Throttle Cable	Cavo Acceleratore	Cable, Accelérateur	Gashebel Kabel	for GGP 150cc Engine
15	181005511/0	1	Throttle Cable	Cavo Acceleratore	Cable, Accelérateur	Gashebel Kabel	for B&S Engine
15	181005517/0	1	Throttle Cable	Cavo Acceleratore	Cable, Accelérateur	Gashebel Kabel	for Honda Engine



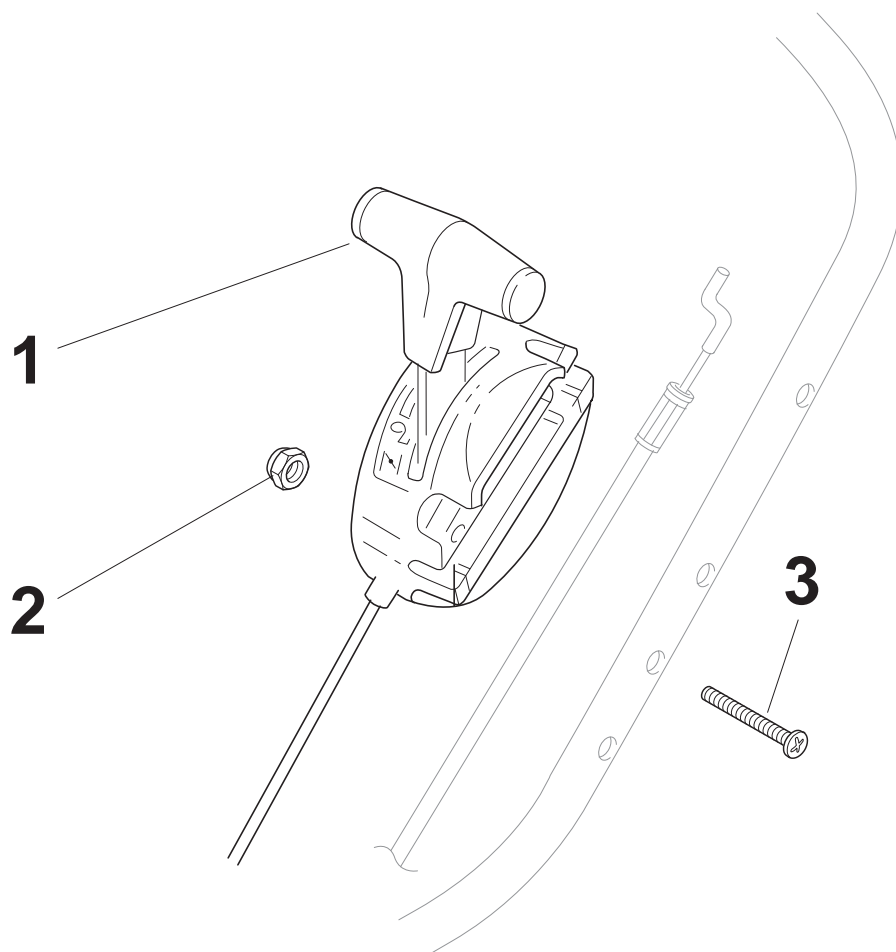


**Handle, Upper Part - PRO**

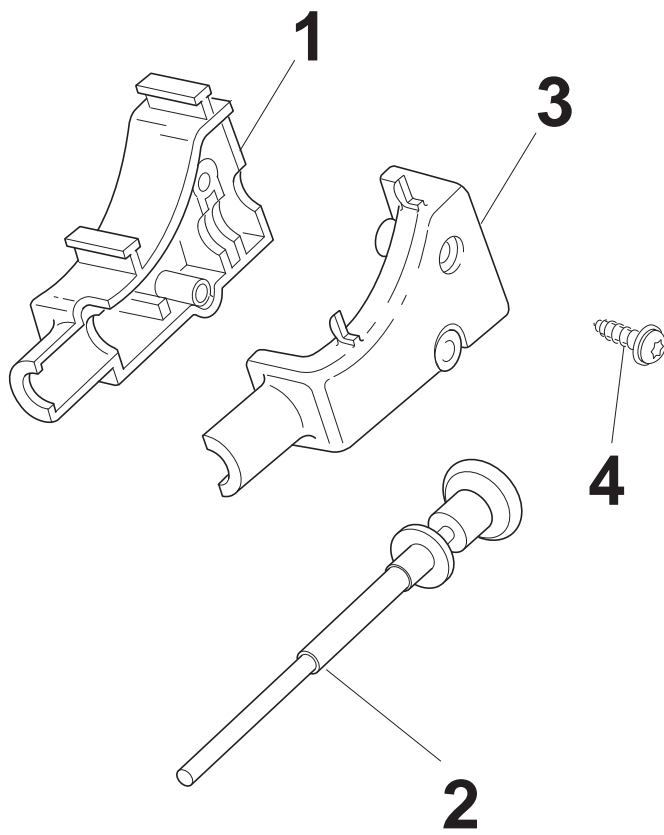
POS	PART. NO	Q.ty	DESCRIPTION	DESCRIZIONE	DESCRIPTION	BESCHREIBUNG	REMARKS
1	381006363/3	1	Handle, Upper Part Yellow	Manico, Parte Sup Giallo	Mancheron, Partie Superieure Jaune	Holm, Oberteil Gelb	
1	381006367/2	1	Handle, Upper Part Black	Manico, Parte Sup Nero	Mancheron, Partie Superieure Noir	Holm, Oberteil Schwarz	
2	112727784/0	1	Screw	Vite	Vis	Schraube	
3	181000618/0	1	Cable, Thread Engine Brake	Cavo Freno Motore	Cable Frein Moteur	Kabel, Motorbremse	for B&S 625-675-750 Engine
3	181000618/0	1	Cable, Thread Engine Brake	Cavo Freno Motore	Cable Frein Moteur	Kabel, Motorbremse	for GGP 140-160-196 Engine
3	181000730/0	1	Cable, Thread Engine Brake	Cavo Freno Motore	Cable Frein Moteur	Kabel, Motorbremse	for GGP 150 Engine
3	181000733/0	1	Cable, Thread Engine Brake	Cavo Freno Motore	Cable Frein Moteur	Kabel, Motorbremse	for Honda Engine
3	181000769/1	1	Cable, Thread Engine Brake	Cavo Freno Motore	Cable Frein Moteur	Kabel, Motorbremse	for B&S 450-500 series
3	181000769/1	1	Cable, Thread Engine Brake	Cavo Freno Motore	Cable Frein Moteur	Kabel, Motorbremse	for Honda Engine AVS
4	322551639/0	1	Plate	Piastrina	Plaquette	Plättchen	
5	112154510/0	1	Nut	Dado	Ecrou	Mutter	
6	381003318/1	1	Lever, Engine Brake	Leva Freno Motore	Levier Frein Moteur	Hebel, Motorbremse	
7	112154510/0	2	Nut	Dado	Ecrou	Mutter	
8	112521330/0	4	Washer	Rosetta	Rondelle	Scheibe	
9	122671660/1	2	Washer	Rosetta	Rondelle	Scheibe	
10	112727784/0	2	Screw	Vite	Vis	Schraube	
11	112154510/0	1	Nut	Dado	Ecrou	Mutter	
12	112521330/0	1	Elastic Washer	Disco Elastico	Disque Elastique	Federscheibe	
13	122450446/0	1	Spring	Molla	Ressort	Feder	
14	122170840/0	1	Spacer	Distanziale	Entretoise	Distanzring	
15	381003313/0	1	Lever, Driving	Leva Trazione	Levier Traction	Antriebhebel	
16	112293200/0	1	Nut	Dado	Ecrou	Mutter	
17	322399812/0	1	Knob	Manopolina	Poignée	Griff	
18	112727791/0	1	Screw	Vite	Vis	Schraube	
19	381030095/0	1	Cable, Rear Drive	Cavo Comando Trazione	Câble, Comm. Traction	Kabel, Antrieb	
20	112521330/0	1	Washer	Rosetta	Rondelle	Scheibe	
21	112154510/0	1	Nut	Dado	Ecrou	Mutter	
22	122170843/0	1	Spacer	Distanziale	Entretoise	Distanzring	
23	322551653/0	1	Plate	Piastrina	Plaquette	Plättchen	
25	122170842/0	1	Spacer	Distanziale	Entretoise	Distanzring	
26	112727786/0	1	Screw	Vite	Vis	Schraube	
28	122430314/0	1	Guide Spring	Molla Guida	Ressort De Guide	Feder Führer	
29	381004405/0	1	Dash Board	Cruscotto	Console	Konsole	
30	112154510/0	1	Nut	Dado	Ecrou	Mutter	
31	112727792/0	1	Screw	Vite	Vis	Schraube	
32	112154510/0	1	Nut	Dado	Ecrou	Mutter	
33	322500050/0	1	Shoe	Pattino	Bloc De Glissement	Gleitblock	
34	122524342/0	1	Pin	Perno	Pivot	Bolzen	
35	112604897/0	1	Snap Ring	Anello Elastico	Anneau Ressort	Sprengring	
36	112154330/0	2	Screw	Vite	Vis	Schraube	
37	112727796/0	2	Washer	Rosetta	Rondelle	Scheibe	



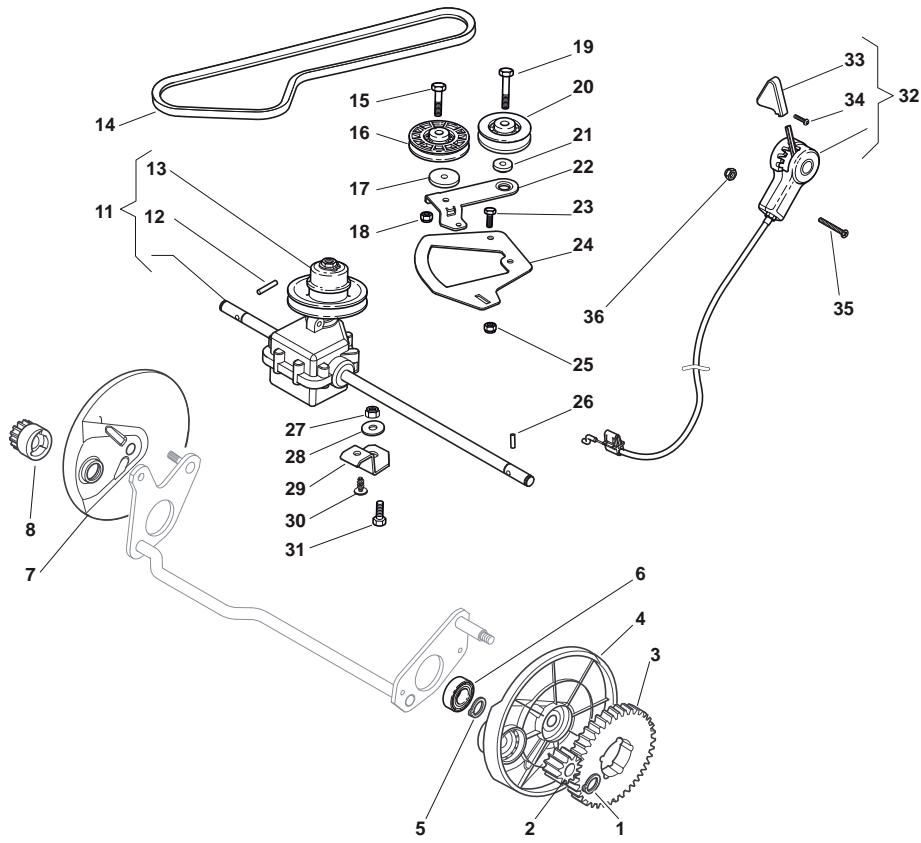
Electric Start							
POS	PART. NO	Q.ty	DESCRIPTION	DESCRIZIONE	DESCRIPTION	BESCHREIBUNG	REMARKS
1	112728450/0	2	Screw	Vite	Vis	Schraube	
2	125160012/0	2	Spacer	Distanziale	Entretoise	Distanzring	
3	322785122/0	1	Support, Battery	Supporto Batteria	Support Batterie	Halter, Batterie	
4	118120052/0	1	Battery	Batteria	Batterie	Batterie	
5	322109530/0	1	Cover	Capottina	Capot	Haube	
6	118204197/0	1	Cable, Start	Cavo Avviamento	Cable Démarrage	Kabel, Start	for B&S - GGP Engine
6	118204198/0	1	Cable, Start	Cavo Avviamento	Cable Démarrage	Kabel, Start	for Honda Engine
7	322722801/0	1	L Protection	Protezione Sx	Protection G	Linke Schutz	
8	322722800/0	1	R Protection	Protezione Dx	Protection D	Rechte Schutz	
9	118450051/0	1	Switch	Interruttore	Interrupteur	Schalter	
10	112728300/0	2	Screw	Vite	Vis	Schraube	
11	112728691/0	1	Screw	Vite	Vis	Schraube	
12	118204120/0	1	Battery Charger	Carica Batteria	Chargeur De Batterie	Ladgerät	CE plug
12	118204121/0	1	Battery Charger	Carica Batteria	Chargeur De Batterie	Ladgerät	UK plug
13	118210016/1	1	Starting Key	Chiave Avviamento	Clef A Demarrage	Schlüssel Für Start	



Throttle Cable							
POS	PART. NO	Q.ty	DESCRIPTION	DESCRIZIONE	DESCRIPTION	BESCHREIBUNG	REMARKS
1	181007130/0	1	Throttle Cable	Cavo Acceleratore	Cable, Accelérateur	Gashebel Kabel	
2	112154510/0	1	Nut	Dado	Ecrou	Mutter	
3	112727786/0	1	Screw	Vite	Vis	Schraube	



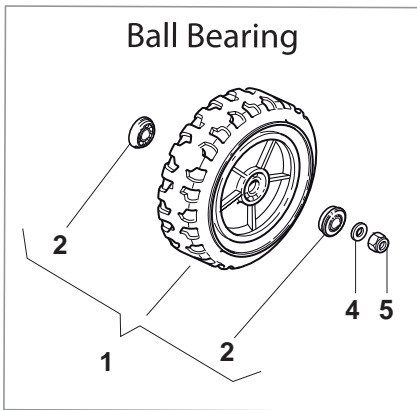
Starter Drive							
POS	PART. NO	Q.ty	DESCRIPTION	DESCRIZIONE	DESCRIPTION	BESCHREIBUNG	REMARKS
1	322722804/1	1	R Protection	Protezione Dx	Protection D	Rechte Schutz	
2	381000742/1	1	Starter Drive	Comando Starter	Commande Starter	Starter Betaetigung	for GGP 150cc
2	381030022/0	1	Starter Drive	Comando Starter	Commande Starter	Starter Betaetigung	for GGP 160cc
2	381030024/0	1	Starter Drive	Comando Starter	Commande Starter	Starter Betaetigung	for Honda Engine
3	322722805/1	1	L Protection	Protezione Sx	Protection G	Linke Schutz	
4	112728300/0	1	Screw	Vite	Vis	Schraube	



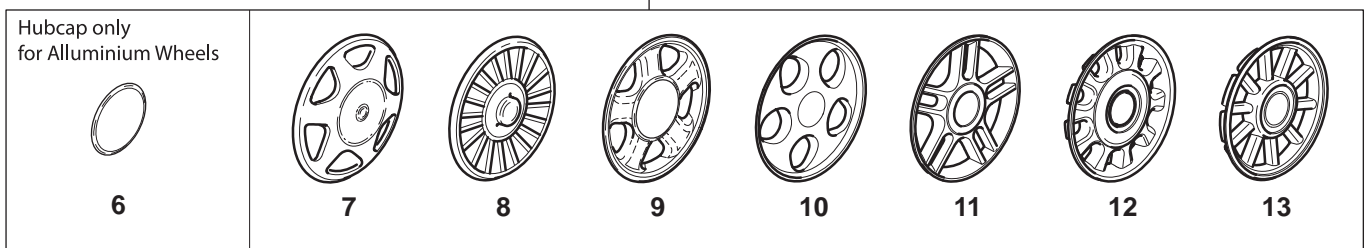
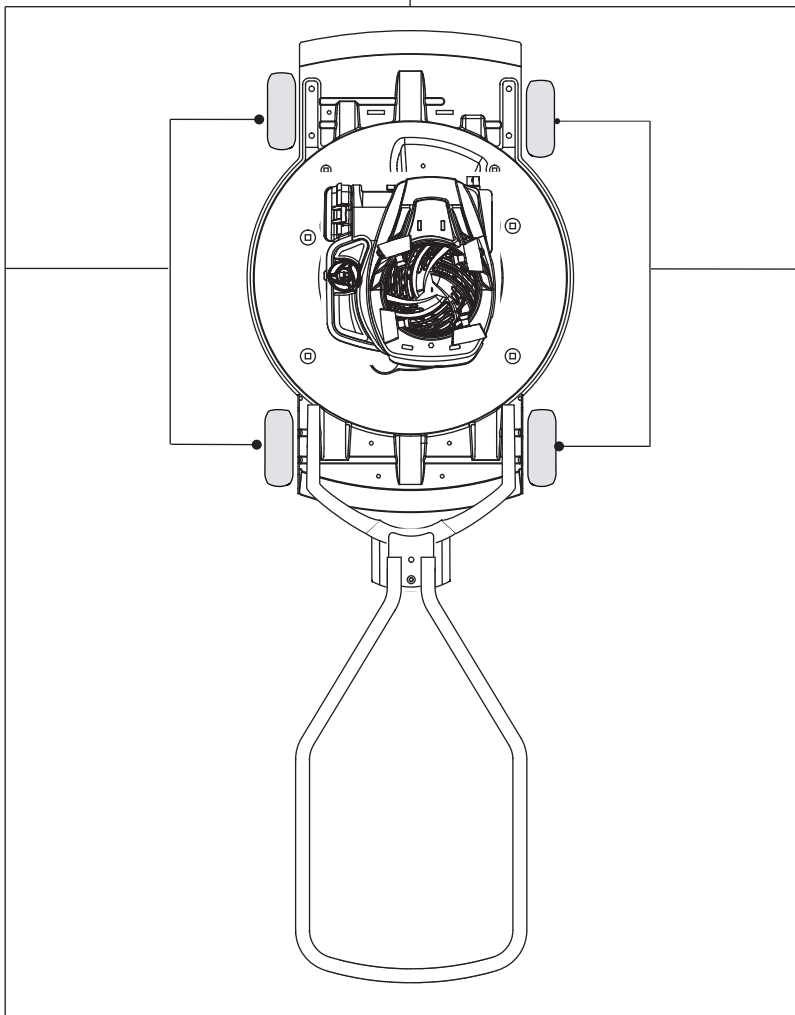
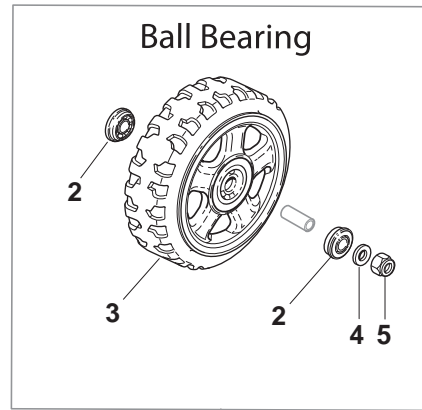


Rear Drive							
POS	PART. NO	Q.ty	DESCRIPTION	DESCRIZIONE	DESCRIPTION	BESCHREIBUNG	REMARKS
1	112608600/0	2	Seeger	Seeger	Seeger	Seeger	
2	122570120/1	1	Pinion L	Pignone Sx	Pignon G	Ritzel Linkes	
3	122120105/1	2	Ring Gear	Corona	Couronne	Kranz	
4	322600267/0	1	Plastic Wheels Protection	Protezione Ruote	Protection Roue	Schütz, Räder	
5	112608600/0	2	Seeger	Seeger	Seeger	Seeger	
6	119216035/0	2	Bearing	Cuscinetto	Coussinet	Lager	
7	122753000/0	2	Pin	Perno	Pivot	Bolzen	
9	122450439/0	1	Spring	Molla	Ressort	Feder	
10	135064100/0	1	Belt	Cinghia	Courroire	Riemen	
11	322600267/0	1	Plastic Wheels Protection	Protezione Ruote	Protection Roue	Schütz, Räder	
12	122570110/1	1	Pinion R	Pignone Dx	Pignon D	Ritzel Rechtes	
15	181003109/0	1	Gear Box	Gruppo Trazione	Groupe Traction	Antrieb	
16	122601909/0	1	Pulley	Puleggia	Poulie	Riemenscheibe	
17	112645705/0	1	Pin	Perno	Pivot	Bolzen	

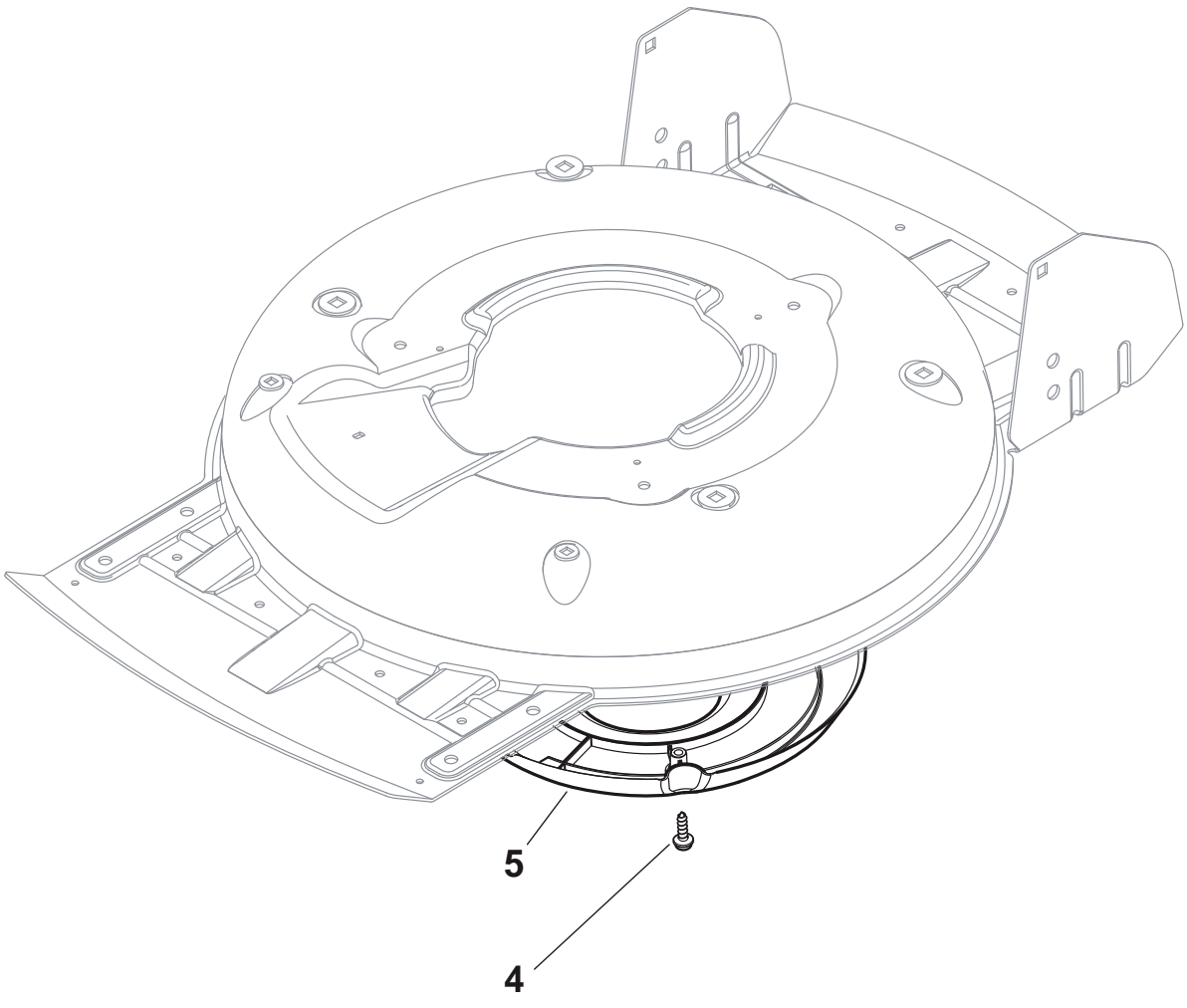
Eco Stiga Wheels - Ø 210



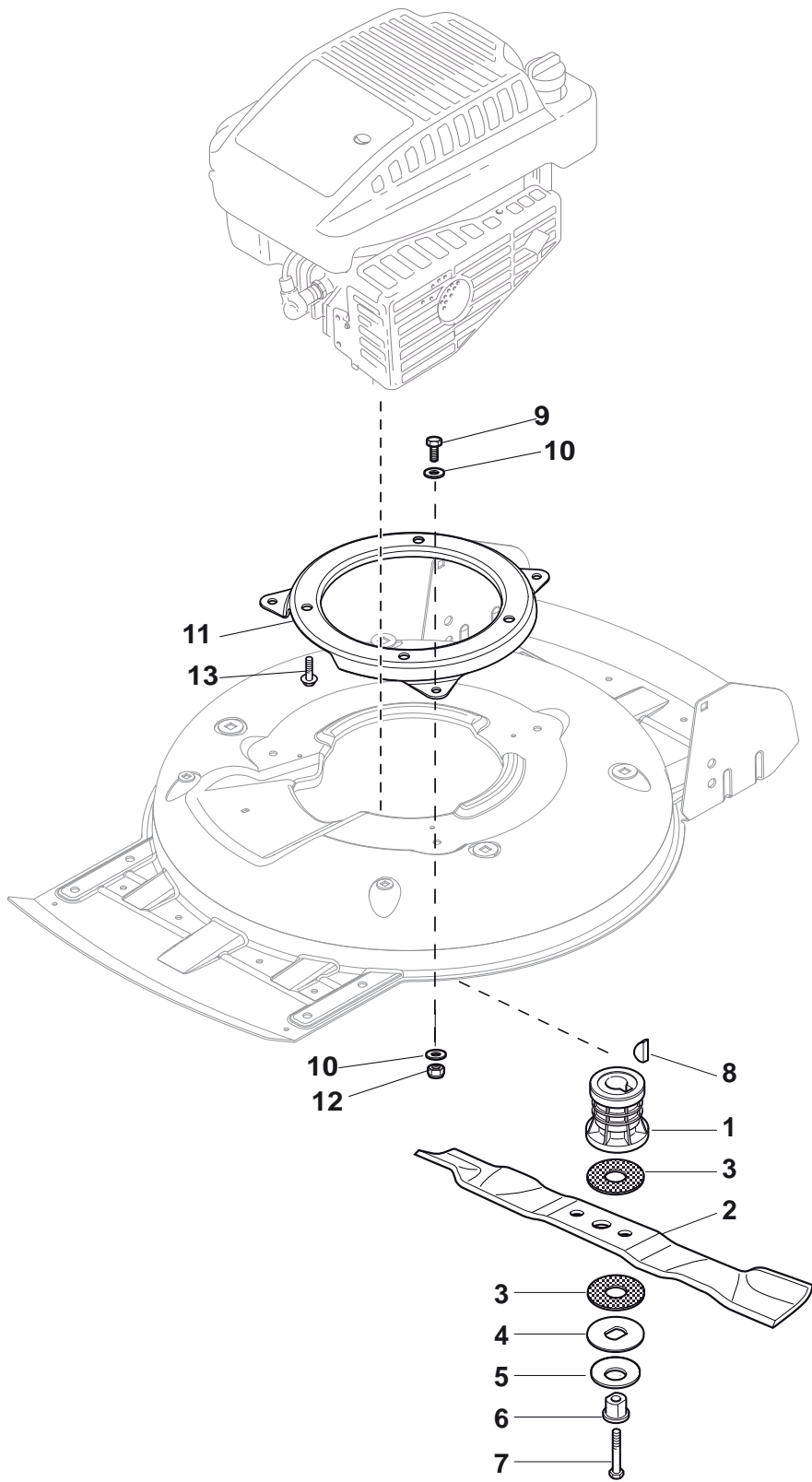
Spark Aluminium Wheels - Ø 210



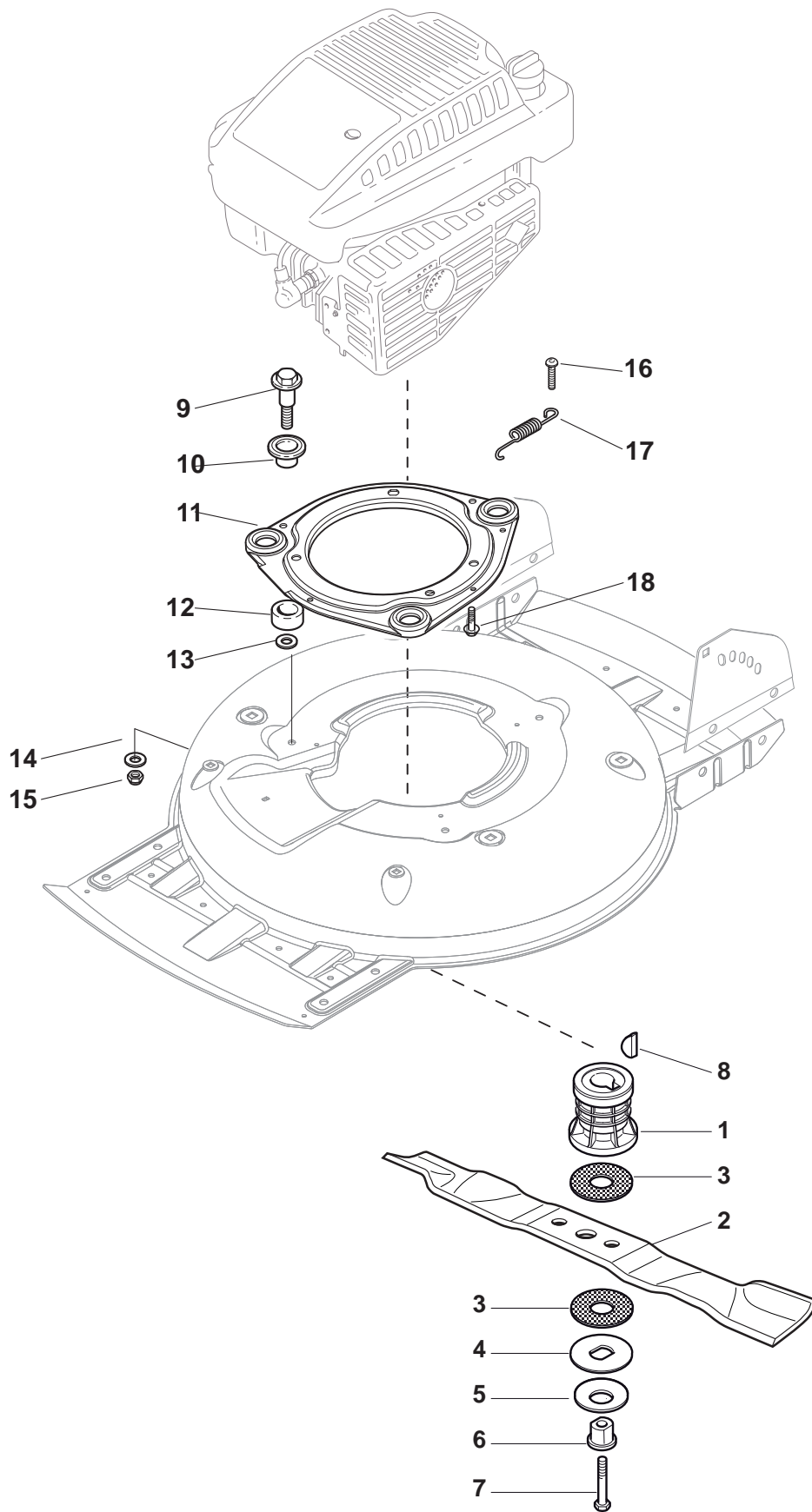
Wheels and Hub Cap							
POS	PART. NO	Q.ty	DESCRIPTION	DESCRIZIONE	DESCRIPTION	BESCHREIBUNG	REMARKS
1	381007490/0	4	Wheel Ø 210	Ruota Stiga Ø 210	Roue Ø 210	Rad. Ø 210	
2	119216035/0	8	Bearing	Cuscinetto	Coussinet	Lager	
3	381007487/0	4	Wheel Ø 210	Ruota Ø 210	Roue Ø 210	Rad Ø 210	Aluminium
4	112521350/0	8	Washer	Rosetta	Rondelle	Scheibe	
5	112155000/0	8	Nut	Dado	Ecrou	Mutter	
6	322110653/0	4	Hub Cap	Coprimozzo	Couvre-Moyeu	Radkappe	Black
7	322110314/0	4	Hub Cap	Coprimozzo	Couvre-Moyeu	Radkappe	Grey
8	322110348/0	4	Hub Cap	Coprimozzo	Couvre-Moyeu	Radkappe	Grey
9	322110382/0	4	Hub Cap	Coprimozzo	Couvre-Moyeu	Radkappe	Grey
10	322110416/0	4	Hub Cap	Coprimozzo	Couvre-Moyeu	Radkappe	Grey
11	322110492/0	4	Hub Cap	Coprimozzo	Couvre-Moyeu	Radkappe	Grey
11	322110563/0	4	Hub Cap	Coprimozzo	Couvre-Moyeu	Radkappe	Yellow
12	322110494/0	4	Hub Cap	Coprimozzo	Couvre-Moyeu	Radkappe	Grey
13	322110496/0	4	Hub Cap	Coprimozzo	Couvre-Moyeu	Radkappe	Grey



Belt Protection							
POS	PART. NO	Q.ty	DESCRIPTION	DESCRIZIONE	DESCRIPTION	BESCHREIBUNG	REMARKS
4	112728530/0	3	Screw	Vite	Vis	Schraube	
5	322060220/0	1	Protection	Cappuccio	Capuchon	Stecker	

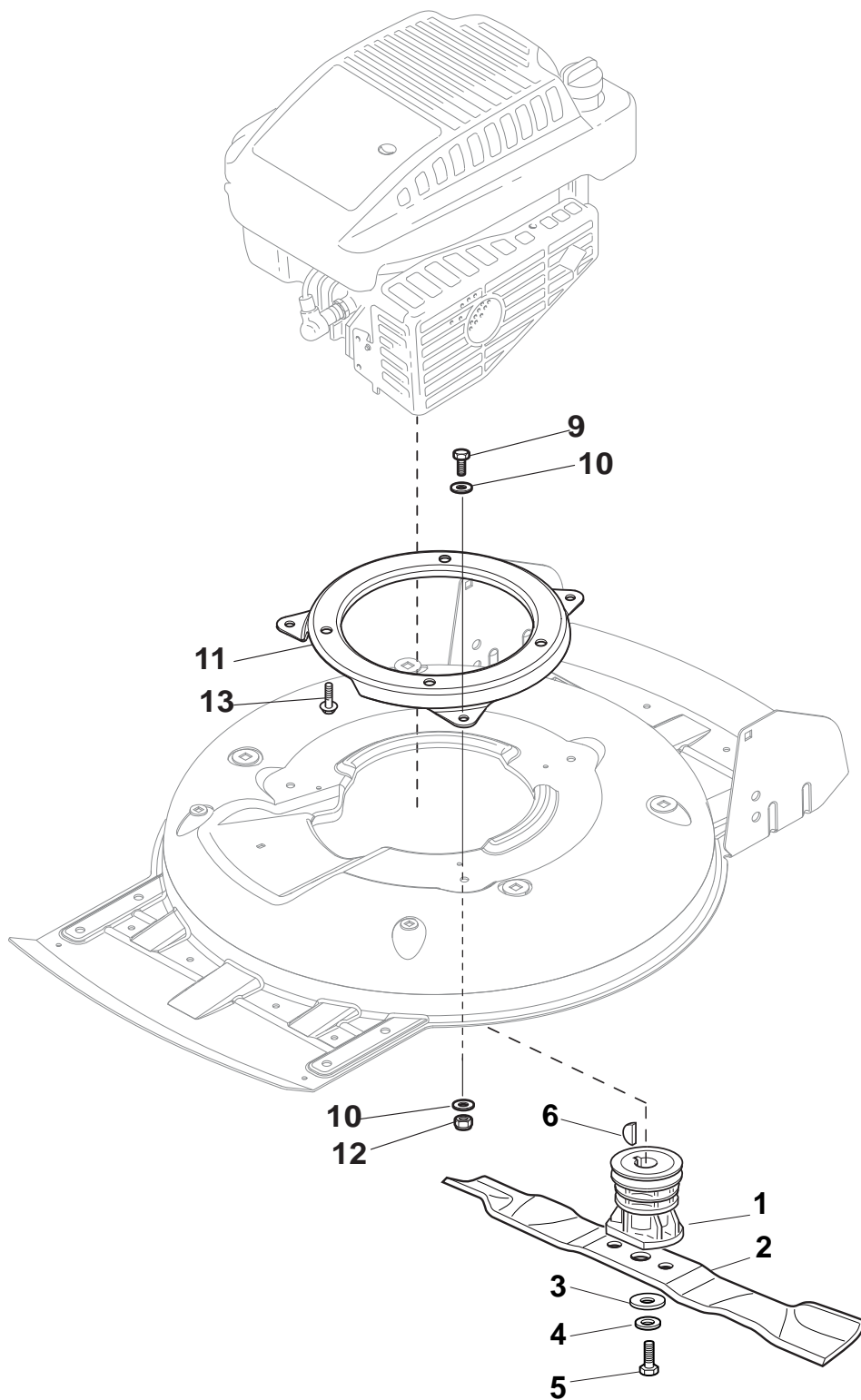


Blade							
POS	PART. NO	Q.ty	DESCRIPTION	DESCRIZIONE	DESCRIPTION	BESCHREIBUNG	REMARKS
1	122465611/0	1	Hub With Pulley, Crankshaft Ø 22.2	Mozzo Con Puleggia, Albero Motore Ø 22.2	Moyeu Avec Poulie, Arbre Moteur Ø 22.2	Nabe Mit Scheibe, Motorwelle Ø 22.2	for B&S - GGP Engine
1	122465612/1	1	Hub With Pulley, Crankshaft Ø 25	Mozzo Con Puleggia, Albero Motore Ø 25	Moyeu Avec Poulie, Arbre Moteur Ø 25	Nabe Mit Scheibe, Motorwelle Ø 25	for Honda Engine
2	181004146/0	1	Blade Standard	Coltello Standard	Lame Standard	Messer Standard	
3	322672110/1	2	Clutch Washer	Rondella Frizione	Rondelle Friction	Kupplungscheibe	
4	322672105/0	1	Washer	Rosetta	Rondelle	Scheibe	
5	112508120/0	1	Cupped Spring	Molla A Tazza	Ressort	Teller Feder	
6	122041940/0	1	Clutch Bush	Bussola Frizione	Douille Friction	Kupplungsscheibe	
7	112736850/0	1	Screw	Vite	Vis	Schraube	
8	112139100/0	1	Feather, Crankshaft Ø 22.2	Linguetta, Albero Motore Ø 22.2	Clavette, Arbre Moteur Ø 22.2	Keil, Motorwelle Ø 22.2	for B&S - GGP Engine
8	112139150/0	1	Feather, Crankshaft Ø 25	Linguetta, Albero Motore Ø 25	Clavette, Arbre Moteur Ø 25	Keil, Motorwelle Ø 25	for Honda Engine
9	112793102/0	3	Screw	Vite	Vis	Schraube	
10	112523060/0	6	Washer	Rosetta	Rondelle	Scheibe	
11	322207219/1	1	Flange	Flangia	Bride	Flansch	
12	112155000/0	3	Nut	Dado	Ecrou	Mutter	
13	112735108/1	3	Screw	Vite	Vis	Schraube	

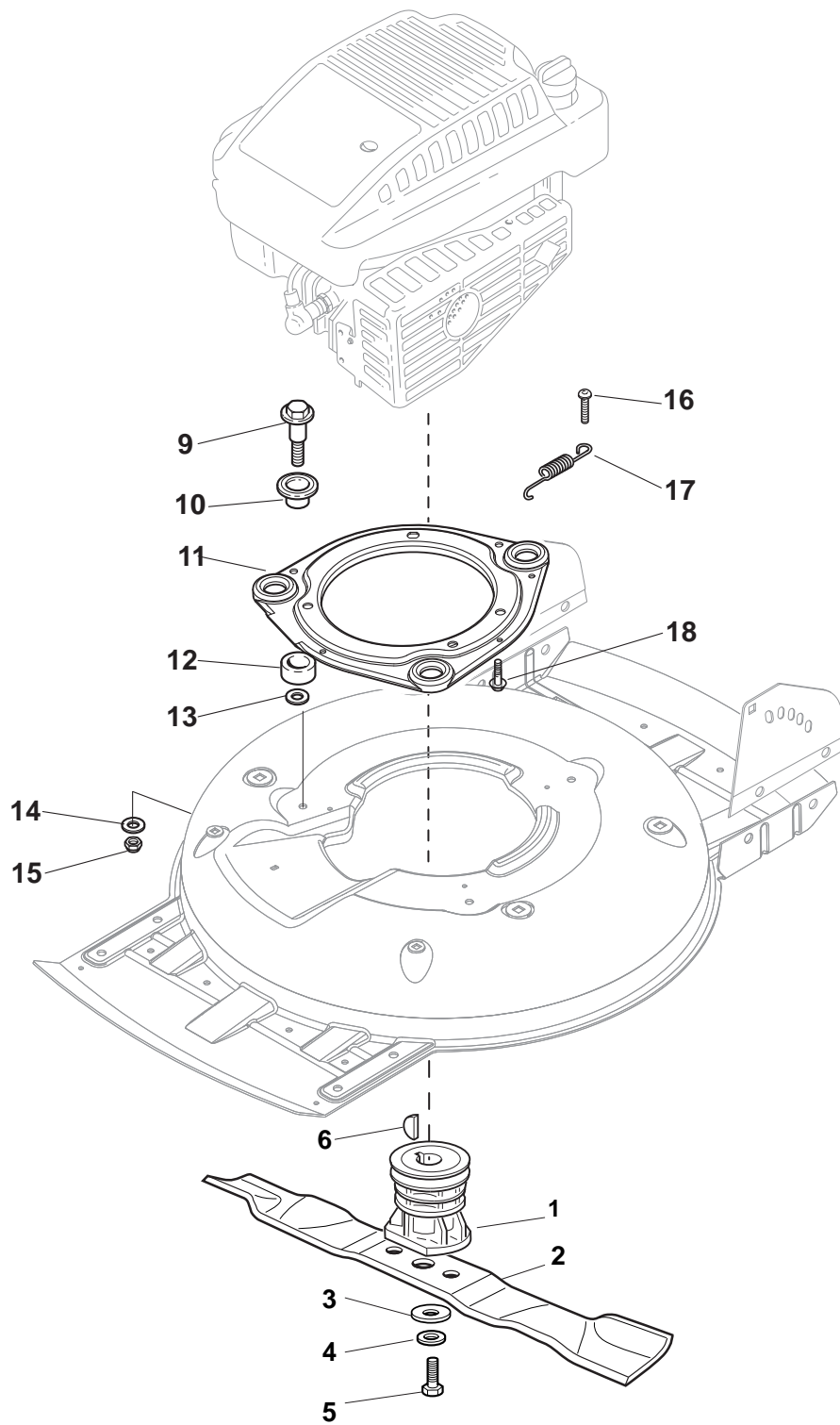




Blade							
POS	PART. NO	Q.ty	DESCRIPTION	DESCRIZIONE	DESCRIPTION	BESCHREIBUNG	REMARKS
1	122465611/0	1	Hub With Pulley, Crankshaft Ø 22.2	Mozzo Con Puleggia, Albero Motore Ø 22.2	Moyeu Avec Poulie, Arbre Moteur Ø 22.2	Nabe Mit Scheibe, Motorwelle Ø 22.2	for B&S - GGP Engine
1	122465612/1	1	Hub With Pulley, Crankshaft Ø 25	Mozzo Con Puleggia, Albero Motore Ø 25	Moyeu Avec Poulie, Arbre Moteur Ø 25	Nabe Mit Scheibe, Motorwelle Ø 25	for Honda Engine
2	181004146/0	1	Blade Standard	Coltello Standard	Lame Standard	Messer Standard	
3	322672110/1	2	Clutch Washer	Rondella Frizione	Rondelle Friction	Kupplungscheibe	
4	322672105/0	1	Washer	Rosetta	Rondelle	Scheibe	
5	112508120/0	1	Cupped Spring	Molla A Tazza	Ressort	Teller Feder	
6	122041940/0	1	Clutch Bush	Bussola Frizione	Douille Friction	Kupplungsscheibe	
7	112736850/0	1	Screw	Vite	Vis	Schraube	
8	112139100/0	1	Feather, Crankshaft Ø 22.2	Linguetta, Albero Motore Ø 22.2	Clavette, Arbre Moteur Ø 22.2	Keil, Motorwelle Ø 22.2	for B&S - GGP Engine
8	112139150/0	1	Feather, Crankshaft Ø 25	Linguetta, Albero Motore Ø 25	Clavette, Arbre Moteur Ø 25	Keil, Motorwelle Ø 25	for Honda Engine
9	122524329/0	3	Pin	Perno	Pivot	Bolzen	
10	322672201/0	3	Washer	Rosetta	Rondelle	Scheibe	
11	322207221/1	1	Flange, Black	Flangia, Nero	Bride, Noir	Flansch, Schwarz	4Speed Models
11	381207225/1	1	Flange, Yellow	Flangia, Giallo	Bride, Jaune	Flansch, Gelb	4Speed Models
12	322250012/0	3	Grommet	Gommino	Caoutchouc	Gummi	
13	122671651/0	3	Washer	Rosetta	Rondelle	Scheibe	
14	122671651/0	3	Washer	Rosetta	Rondelle	Scheibe	
15	112155000/0	3	Nut	Dado	Ecrou	Mutter	
16	112791400/0	1	Screw	Vite	Vis	Schraube	
17	122450449/0	1	Spring	Molla	Ressort	Feder	4Speed Models
18	112735108/1	3	Screw	Vite	Vis	Schraube	



Blade							
POS	PART. NO	Q.ty	DESCRIPTION	DESCRIZIONE	DESCRIPTION	BESCHREIBUNG	REMARKS
1	122465607/3	1	Hub With Pulley, Crankshaft Ø 22.2	Mozzo Con Puleggia, Albero Motore Ø 22.2	Moyeu Avec Poulie, Arbre Moteur Ø 22.2	Nabe Mit Scheibe, Motorwelle Ø 22.2	for B&S - GGP Engine
1	122465608/2	1	Hub With Pulley, Crankshaft Ø 25	Mozzo Con Puleggia, Albero Motore Ø 25	Moyeu Avec Poulie, Arbre Moteur Ø 25	Nabe Mit Scheibe, Motorwelle Ø 25	for Honda Engine
2	181004146/0	1	Blade Standard	Coltello Standard	Lame Standard	Messer Standard	
3	122160400/0	1	Elastic Washer	Disco Elastico	Disque Elastique	Federscheibe	
4	112523080/0	1	Washer	Rosetta	Rondelle	Scheibe	
5	112735698/0	1	Screw	Vite	Vis	Schraube	
6	112139100/0	1	Feather, Crankshaft Ø 22.2	Linguetta, Albero Motore Ø 22.2	Clavette, Arbre Moteur Ø 22.2	Keil, Motorwelle Ø 22.2	for B&S - GGP Engine
6	112139150/0	1	Feather, Crankshaft Ø 25	Linguetta, Albero Motore Ø 25	Clavette, Arbre Moteur Ø 25	Keil, Motorwelle Ø 25	for Honda Engine
9	112793102/0	3	Screw	Vite	Vis	Schraube	
10	112523060/0	6	Washer	Rosetta	Rondelle	Scheibe	
11	322207219/1	1	Flange	Flangia	Bride	Flansch	
12	112155000/0	3	Nut	Dado	Ecrou	Mutter	
13	112735108/1	3	Screw	Vite	Vis	Schraube	



Blade							
POS	PART. NO	Q.ty	DESCRIPTION	DESCRIZIONE	DESCRIPTION	BESCHREIBUNG	REMARKS
1	122465607/3	1	Hub With Pulley, Crankshaft Ø 22.2	Mozzo Con Puleggia, Albero Motore Ø 22.2	Moyeu Avec Poulie, Arbre Moteur Ø 22.2	Nabe Mit Scheibe, Motorwelle Ø 22.2	for B&S - GGP Engine
1	122465608/2	1	Hub With Pulley, Crankshaft Ø 25	Mozzo Con Puleggia, Albero Motore Ø 25	Moyeu Avec Poulie, Arbre Moteur Ø 25	Nabe Mit Scheibe, Motorwelle Ø 25	for Honda Engine
2	181004146/0	1	Blade Standard	Coltello Standard	Lame Standard	Messer Standard	
3	122160400/0	1	Elastic Washer	Disco Elastico	Disque Elastique	Federscheibe	
4	112523080/0	1	Washer	Rosetta	Rondelle	Scheibe	
5	112735698/0	1	Screw	Vite	Vis	Schraube	
6	112139100/0	1	Feather, Crankshaft Ø 22.2	Linguetta, Albero Motore Ø 22.2	Clavette, Arbre Moteur Ø 22.2	Keil, Motorwelle Ø 22.2	for B&S - GGP Engine
6	112139150/0	1	Feather, Crankshaft Ø 25	Linguetta, Albero Motore Ø 25	Clavette, Arbre Moteur Ø 25	Keil, Motorwelle Ø 25	for Honda Engine
9	122524329/0	3	Pin	Perno	Pivot	Bolzen	
10	322672201/0	3	Washer	Rosetta	Rondelle	Scheibe	
11	322207221/1	1	Flange, Black	Flangia, Nero	Bride, Noir	Flansch, Schwarz	4Speed Models
11	381207225/1	1	Flange, Yellow	Flangia, Giallo	Bride, Jaune	Flansch, Gelb	4Speed Models
12	322250012/0	3	Grommet	Gommino	Caoutchouc	Gummi	
13	122671651/0	3	Washer	Rosetta	Rondelle	Scheibe	
14	122671651/0	3	Washer	Rosetta	Rondelle	Scheibe	
15	112155000/0	3	Nut	Dado	Ecrou	Mutter	
16	112791400/0	1	Screw	Vite	Vis	Schraube	
17	122450449/0	1	Spring	Molla	Ressort	Feder	4Speed Models
18	112735108/1	3	Screw	Vite	Vis	Schraube	