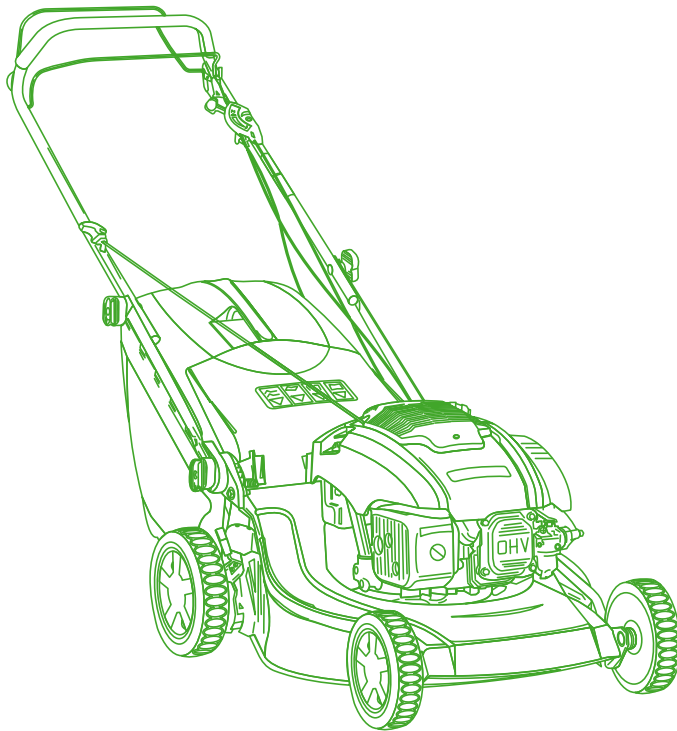


ILLUSTRATED PARTS LIST

MC 534 TR 4S MC 534 TR-E 4S



- Use GLOBAL GARDEN PRODUCT Genuine Spare Parts specified in the parts list for repair and/or replacement.
- The contents described in the parts list may change due to improvement.
- The drawings of the spare parts are only indicative and might not represent the part in question exactly.
- The indications "right" - "left" - "front" - "rear" refer to the position of the operator when using the machine.
- When placing orders of parts for repair and/or replacement, make sure that the illustrated parts list is the one applying to the machine's year of manufacture, as shown on the identification plate attached to the machine.

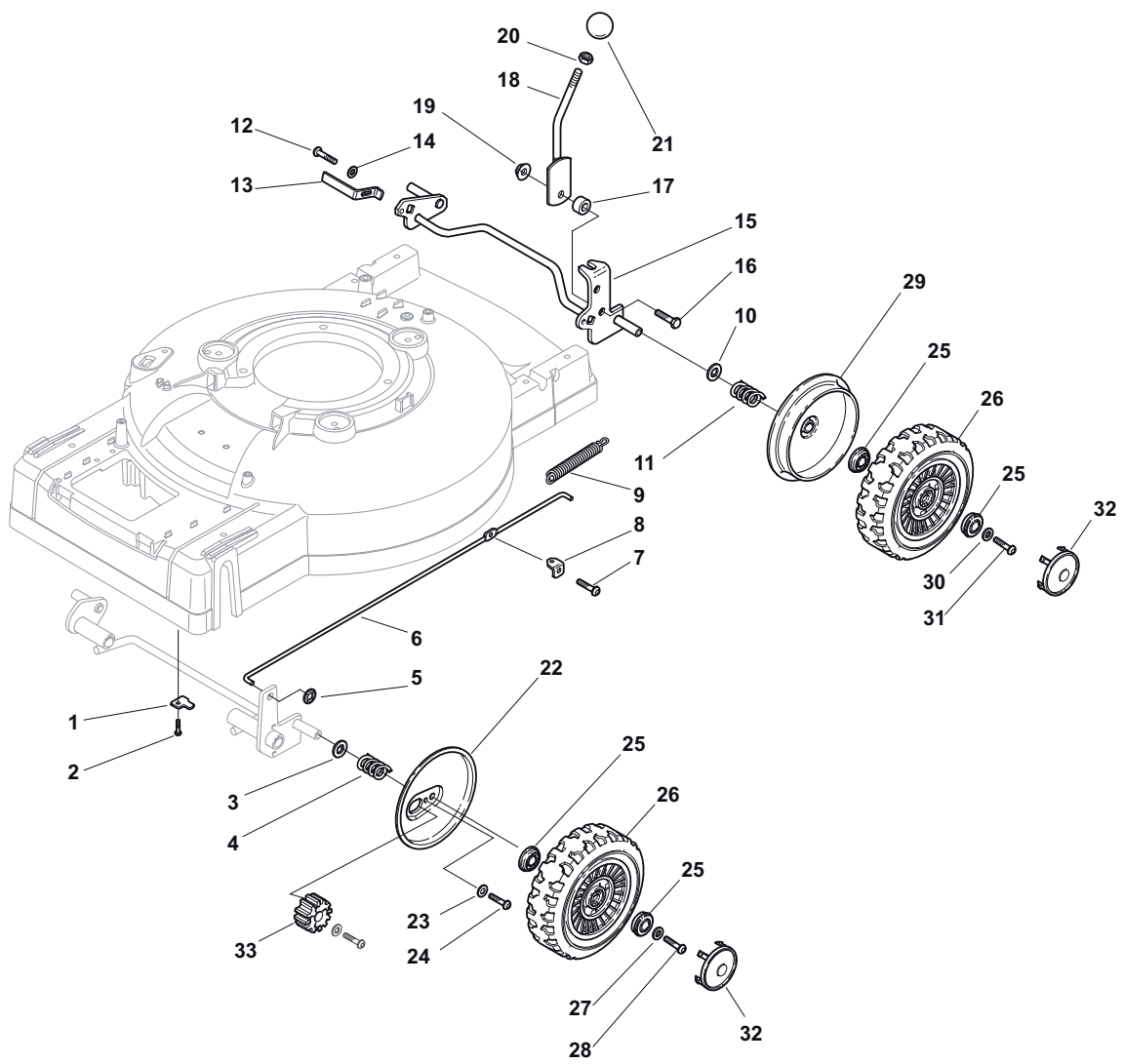
© Copyright 2013 Global Garden Products

All content is subject to copyright by Global Garden Products and may not be reproduced in whole or in part by any means, electronic or otherwise, without prior written approval.

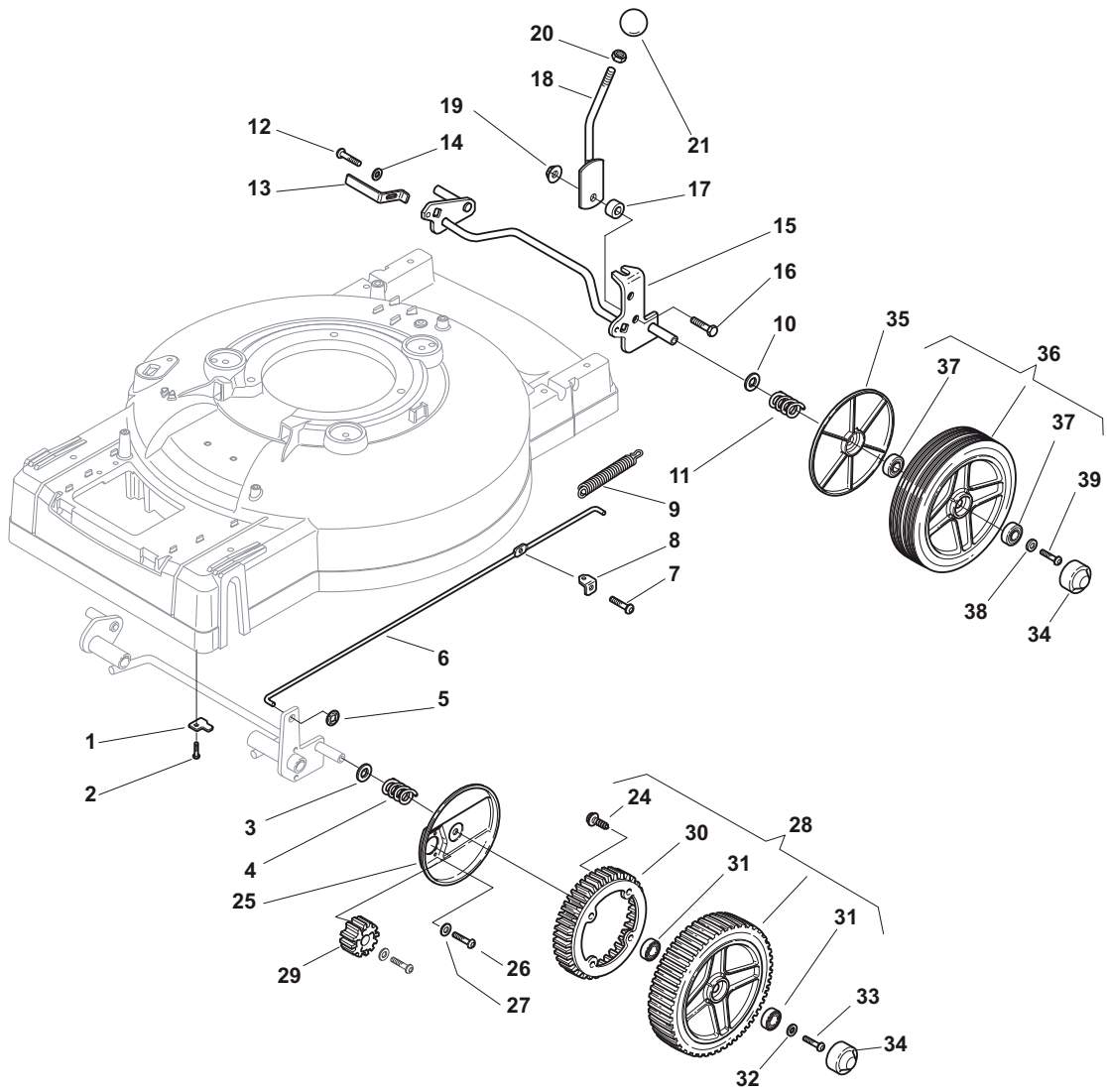
THIS INFORMATION IS NOT INTENDED FOR SALE OR RESALE, AND THIS NOTICE MUST REMAIN ON ALL COPIES.



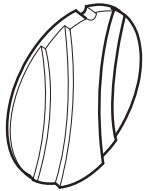
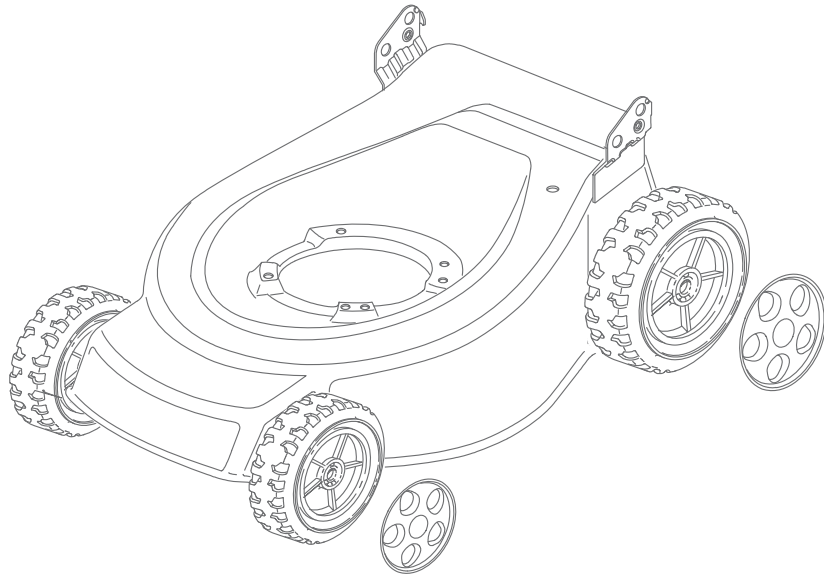
GLOBAL GARDEN PRODUCTS



POS	PART. NO	Q.ty	DESCRIPTION	DESCRIZIONE	DESCRIPTION	BESCHREIBUNG	REMARKS
1	322545157/1	2	Plate	Piastrina	Plaquette	Plättchen	
2	112735662/1	4	Screw	Vite	Vis	Schraube	
3	122671659/0	2	Washer	Rosetta	Rondelle	Scheibe	
4	122430215/0	2	Spring	Molla	Ressort	Feder	
5	112604899/0	2	Crown Fastener	Fissatore A Corona	Fixateur A Couronne	Kronescheibe	
6	122033331/0	1	Rod, Height Adjustment Control	Asta Comando Regolazione Altezza	Tige Commande Reglage Hauteur	Stange, Höheverstellung	
7	112735651/0	1	Screw	Vite	Vis	Schraube	
8	322545139/0	1	Plate	Piastrina	Plaquette	Plättchen	
9	122446183/0	1	Spring	Molla	Ressort	Feder	
10	122671659/0	2	Washer	Rosetta	Rondelle	Scheibe	
11	122430215/0	2	Spring	Molla	Ressort	Feder	
12	112735661/0	2	Screw	Vite	Vis	Schraube	
13	322551529/0	2	Plate	Piastrina	Plaquette	Plättchen	
14	112521330/0	2	Washer	Rosetta	Rondelle	Scheibe	
15	381002835/0	1	Axle, Rear Wheels	Asse Ruote Posteriore	Axe Roues Arriere	Achse, Hinterrad	
16	112793701/0	1	Screw	Vite	Vis	Schraube	
17	122170830/0	1	Spacer	Distanziale	Entretoise	Distanzring	
18	381003317/0	1	Lever, Height Adjustment	Leva Regolazione Altezza	Levier Reglage Hauteur	Hebel, Höheverstellung	
19	112293201/0	1	Nut	Dado	Ecrou	Mutter	
20	112293200/0	1	Nut	Dado	Ecrou	Mutter	
21	322399812/0	1	Knob	Manopolina	Poignée	Griff	
22	322600121/0	2	Protection, Wheel	Protezione Ruote	Protection Roue	Schütz, Räder	
23	112521330/0	2	Washer	Rosetta	Rondelle	Scheibe	
24	112735661/0	2	Screw	Vite	Vis	Schraube	
25	122122201/0	8	Bearing	Cuscinetto	Coussinet	Lager	
26	381007361/0	4	Wheel Ø 190	Ruota Ø 190	Roue Ø190	Rad Ø 190	
27	112521460/0	4	Washer	Rosetta	Rondelle	Scheibe	
28	112735662/1	4	Screw	Vite	Vis	Schraube	
29	322600122/0	2	Protection, Wheel	Protezione Ruote	Protection Roue	Schütz, Räder	
30	112521460/0	4	Washer	Rosetta	Rondelle	Scheibe	
31	112735662/1	4	Screw	Vite	Vis	Schraube	
32	322110384/0	4	Hub Cap	Coprimezzo	Couvre-Moyeu	Radkappe	
33	122570128/0	2	Pinion	Pignone	Pignon	Ritzel	



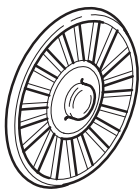
POS	PART. NO	Q.ty	DESCRIPTION	DESCRIZIONE	DESCRIPTION	BESCHREIBUNG	REMARKS
1	322545157/1	2	Plate	Piastrina	Plaquette	Plättchen	
2	112735662/1	4	Screw	Vite	Vis	Schraube	
3	122671659/0	2	Washer	Rosetta	Rondelle	Scheibe	
4	122430215/0	2	Spring	Molla	Ressort	Feder	
5	112604899/0	2	Crown Fastener	Fissatore A Corona	Fixateur A Couronne	Kronescheibe	
6	122033331/0	1	Rod, Height Adjustment Control	Asta Comando Regolazione Altezza	Tige Commande Reglage Hauteur	Stange, Höheverstellung	
7	112735651/0	1	Screw	Vite	Vis	Schraube	
8	322545139/0	1	Plate	Piastrina	Plaquette	Plättchen	
9	122446183/0	1	Spring	Molla	Ressort	Feder	
10	122671659/0	2	Washer	Rosetta	Rondelle	Scheibe	
11	122430215/0	2	Spring	Molla	Ressort	Feder	
12	112735661/0	2	Screw	Vite	Vis	Schraube	
13	322551529/0	2	Plate	Piastrina	Plaquette	Plättchen	
14	112521330/0	2	Washer	Rosetta	Rondelle	Scheibe	
15	381002835/0	1	Axle, Rear Wheels	Asse Ruote Posteriore	Axe Roues Arriere	Achse, Hinterrad	
16	112793701/0	1	Screw	Vite	Vis	Schraube	
17	122170830/0	1	Spacer	Distanziale	Entretoise	Distanzring	
18	381003317/0	1	Lever, Height Adjustment	Leva Regolazione Altezza	Levier Reglage Hauteur	Hebel, Höheverstellung	
19	112293201/0	1	Nut	Dado	Ecrou	Mutter	
20	112293200/0	1	Nut	Dado	Ecrou	Mutter	
21	322399812/0	1	Knob	Manopolina	Poignée	Griff	
24	112728210/0	4	Screw	Vite	Vis	Schraube	
25	322600129/0	2	Protection, Wheel	Protezione Ruote	Protection Roue	Schütz, Räder	
26	112735661/0	4	Screw	Vite	Vis	Schraube	
27	112521330/0	4	Washer	Rosetta	Rondelle	Scheibe	
28	381007367/0	2	Wheel Ø 205	Ruota Ø 205	Roue Ø 205	Rad Ø 205	
29	122570128/0	2	Pinion	Pignone	Pignon	Ritzel	
30	322120108/0	2	Ring Gear	Corona	Couronne	Kranz	
31	119216038/0	4	Bearing	Cuscinetto	Coussinet	Lager	
32	112521460/0	2	Washer	Rosetta	Rondelle	Scheibe	
33	112735662/1	2	Screw	Vite	Vis	Schraube	
34	322110380/0	4	Hub Cap	Coprizzo	Couvre-Moyeu	Radkappe	
35	322600130/0	2	Protection, Wheel	Protezione Ruote	Protection Roue	Schütz, Räder	
36	381007365/0	2	Wheel Ø 205	Ruota Ø 205	Roue Ø 205	Rad Ø 205	
37	119216038/0	4	Bearing	Cuscinetto	Coussinet	Lager	
38	112521460/0	2	Washer	Rosetta	Rondelle	Scheibe	
39	112735662/1	2	Screw	Vite	Vis	Schraube	



1



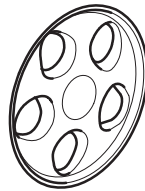
2



3



4



5



6

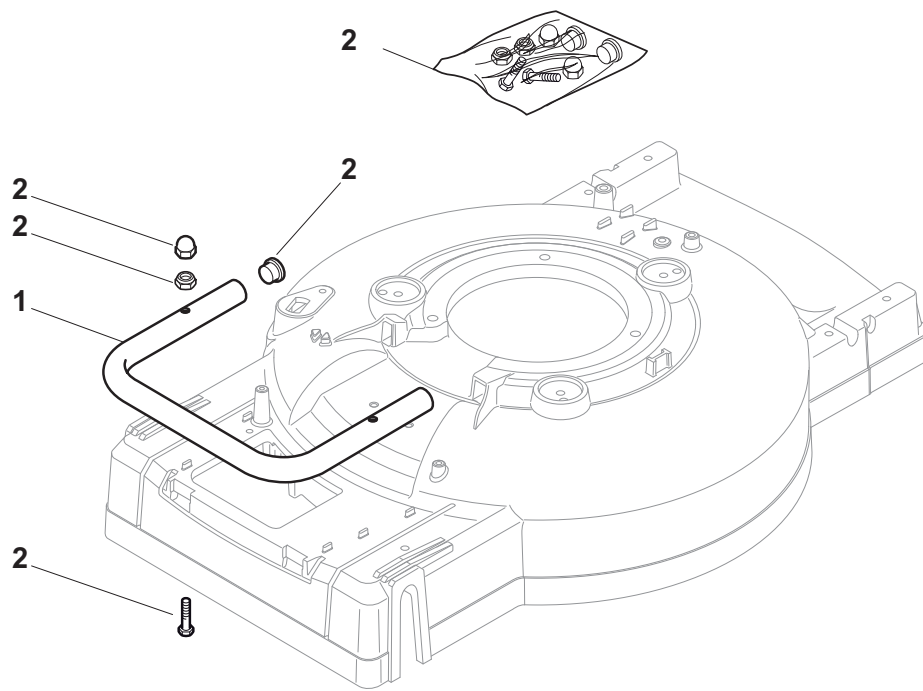


7

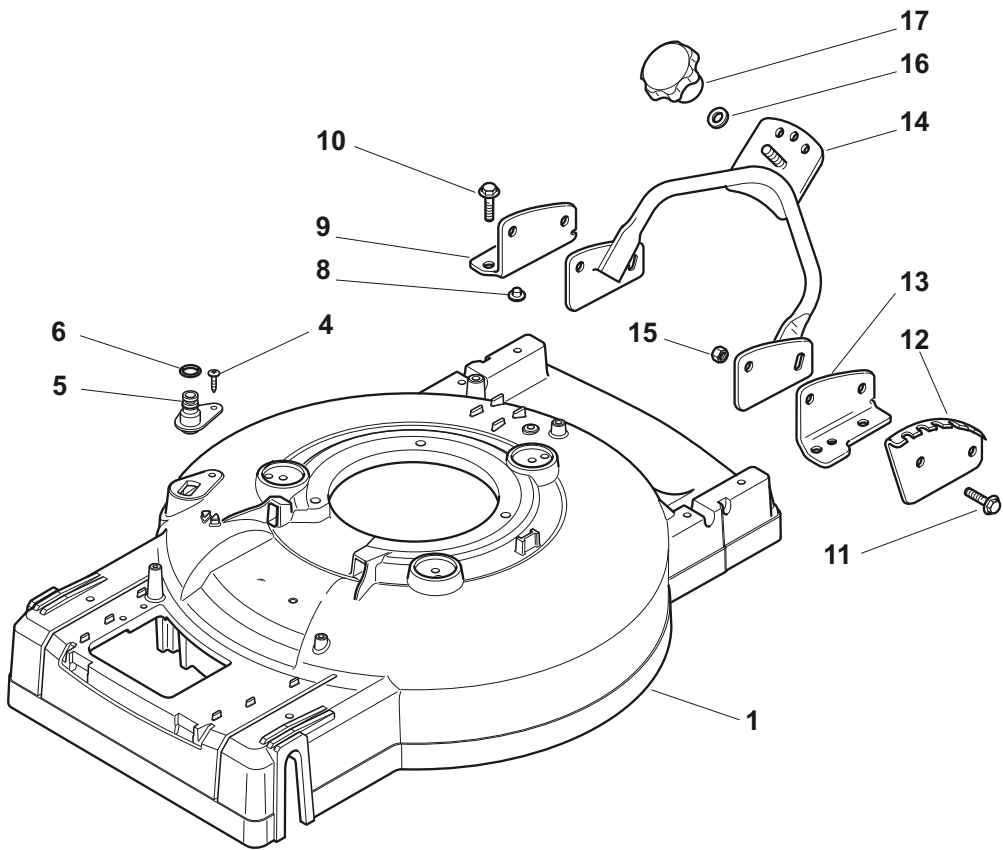


8

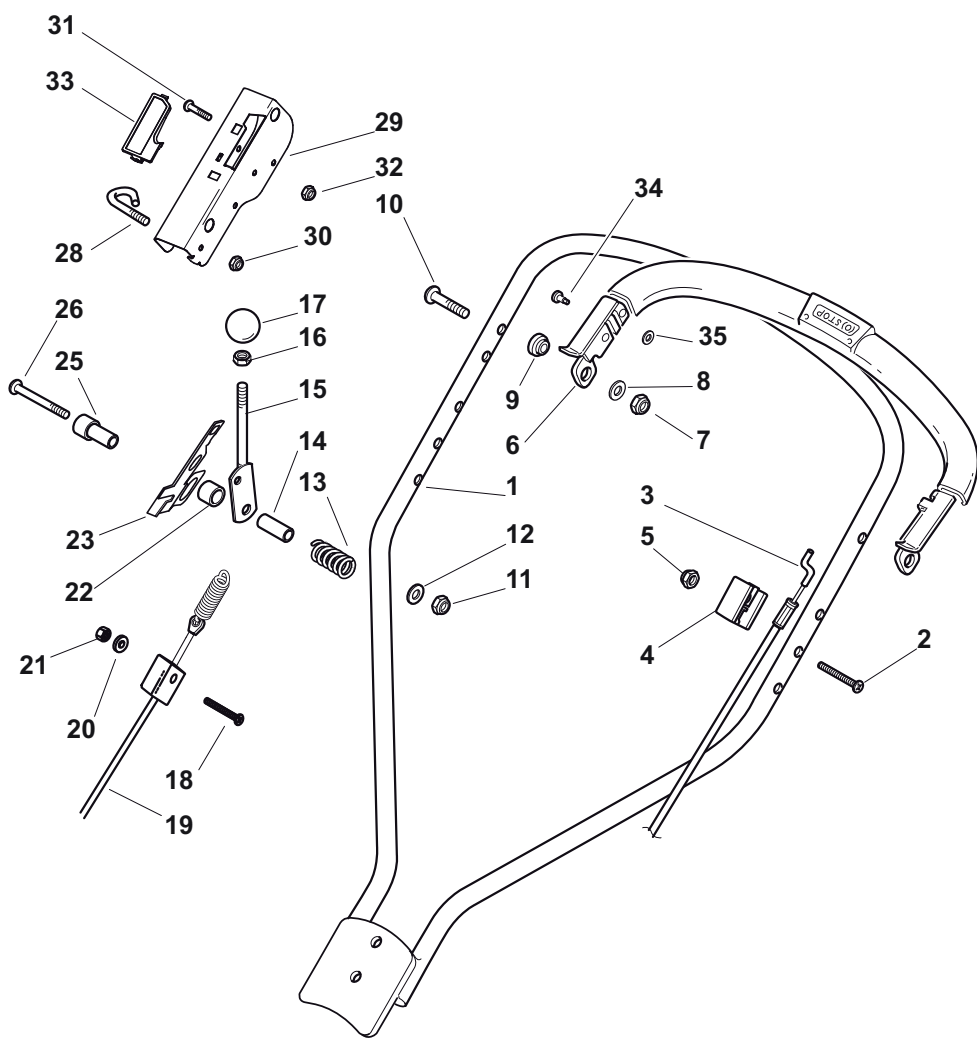
POS	PART. NO	Q.ty	DESCRIPTION	DESCRIZIONE	DESCRIPTION	BESCHREIBUNG	REMARKS
1	322110252/1	2	Hub Cap White	Coprimozzo Bianco	Couvre-Moyeu Blanc	Radkappe Weiß	
1	322110254/0	2	Hub Cap Yellow	Coprimozzo Giallo	Couvre-Moyeu Jaune	Radkappe Gelb	
1	322110255/1	2	Hub Cap White	Coprimozzo Bianco	Couvre-Moyeu Blanc	Radkappe Weiß	
2	322110344/0	2	Hub Cap Grey	Coprimozzo Grigio	Couvre-Moyeu Gris	Radkappe Grau	
2	322110395/0	2	Hub Cap Grey	Coprimozzo Grigio	Couvre-Moyeu Gris	Radkappe Grau	
3	322110347/0	2	Hub Cap Grey	Coprimozzo Grigio	Couvre-Moyeu Gris	Radkappe Grau	
4	322110381/0	2	Hub Cap Grey	Coprimozzo Grigio	Couvre-Moyeu Gris	Radkappe Grau	
5	322110416/0	2	Hub Cap Grey	Coprimozzo Grigio	Couvre-Moyeu Gris	Radkappe Grau	
6	322110491/0	2	Hub Cap Grey	Coprimozzo Grigio	Couvre-Moyeu Gris	Radkappe Grau	
7	322110493/0	2	Hub Cap Grey	Coprimozzo Grigio	Couvre-Moyeu Gris	Radkappe Grau	
8	322110495/0	2	Hub Cap Grey	Coprimozzo Grigio	Couvre-Moyeu Gris	Radkappe Grau	



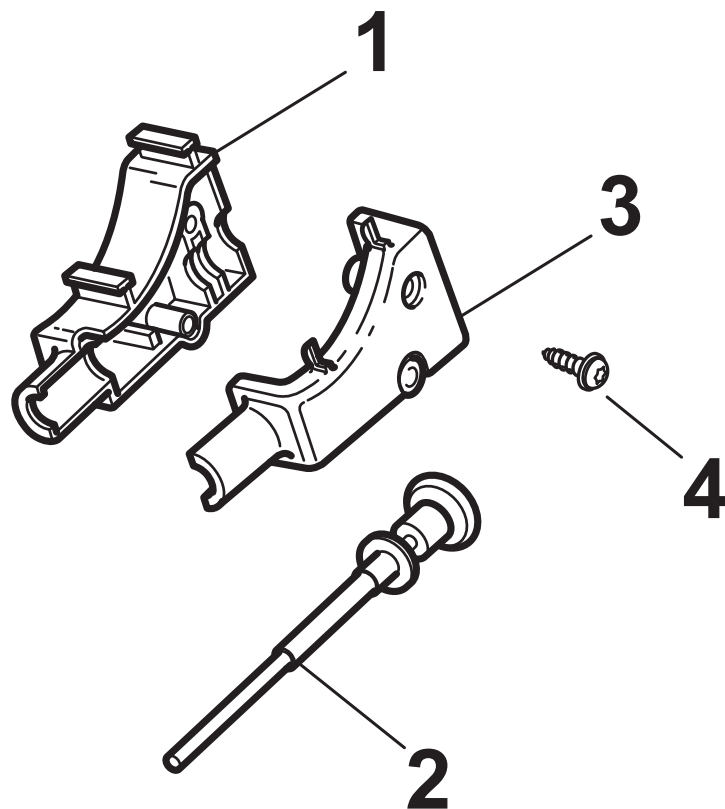
POS	PART. NO	Q.ty	DESCRIPTION	DESCRIZIONE	DESCRIPTION	BESCHREIBUNG	REMARKS
1	322869713/0	1	Protection	Cappuccio	Capuchon	Stecker	
2	381008657/0	1	Bumper Outfit Assy	Dotazione Paraurti	Dotation Pare-Chocs	Ausstattung Bumper	



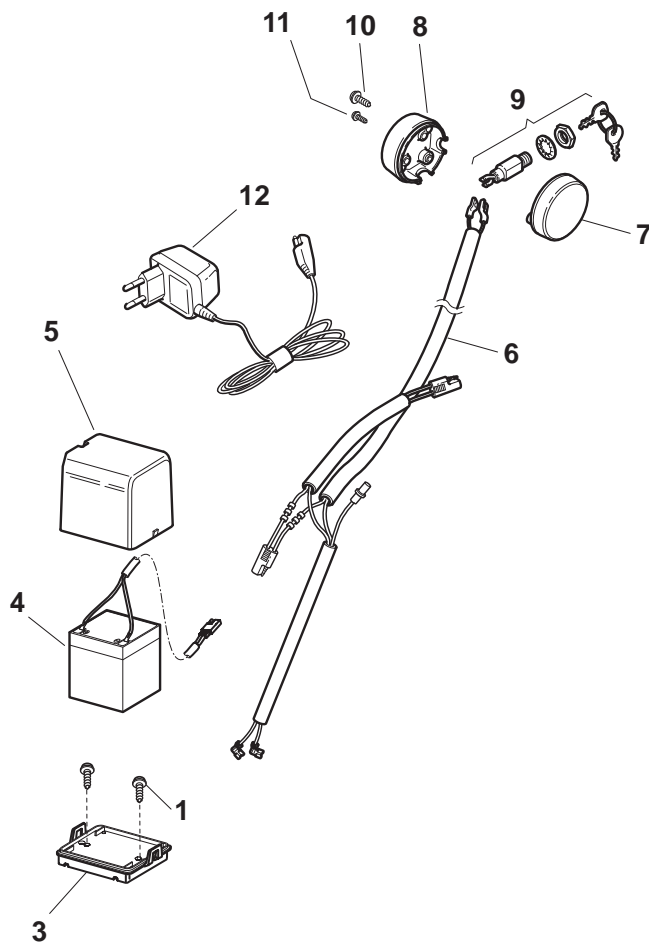
POS	PART. NO	Q.ty	DESCRIPTION	DESCRIZIONE	DESCRIPTION	BESCHREIBUNG	REMARKS
1	381003631/0	1	Deck Grey	Chassis Grigio	Châssis Gris	Gehäuse Grau	
4	112728519/0	1	Screw	Vite	Vis	Schraube	
5	122034000/0	1	Washing Connection	Attacco Acqua Lavaggio	Attaque Lavage	Waschenverbindung	
6	119035000/0	1	Or Ring	Anello Or	Bague Or	Ring Or	
8	322820054/0	2	Cap	Puntale	Bouchon	Gummistopfen	
9	322778417/0	1	Bracket, R	Staffa Dx	Etrier Droit	Steigbügel, Rechte	
10	112735595/0	4	Screw	Vite	Vis	Schraube	
11	112800815/0	4	Screw	Vite	Vis	Schraube	
12	322735569/0	1	Sector, Height Adjustment	Settore Regolazione Altezza	Secteur Reglage Hauteur	Sektor, Höheverstellung	
13	322778415/0	1	Bracket, L	Staffa Sx	Etrier Gauche	Steigbügel, Linke	
14	381006361/1	1	Handle, Middle Part Yellow	Manico, Parte Intermedia Giallo	Mancheron Jaune	Holm Gelb	Yellow
14	381006365/1	1	Handle, Middle Part Black	Manico, Parte Intermedia Nero	Mancheron Noir	Holm Schwarz	Black
15	112293200/0	4	Nut	Dado	Ecrou	Mutter	
16	112523080/0	1	Washer	Rosetta	Rondelle	Scheibe	
17	322399813/0	1	Knob	Manopolina	Poignée	Griff	



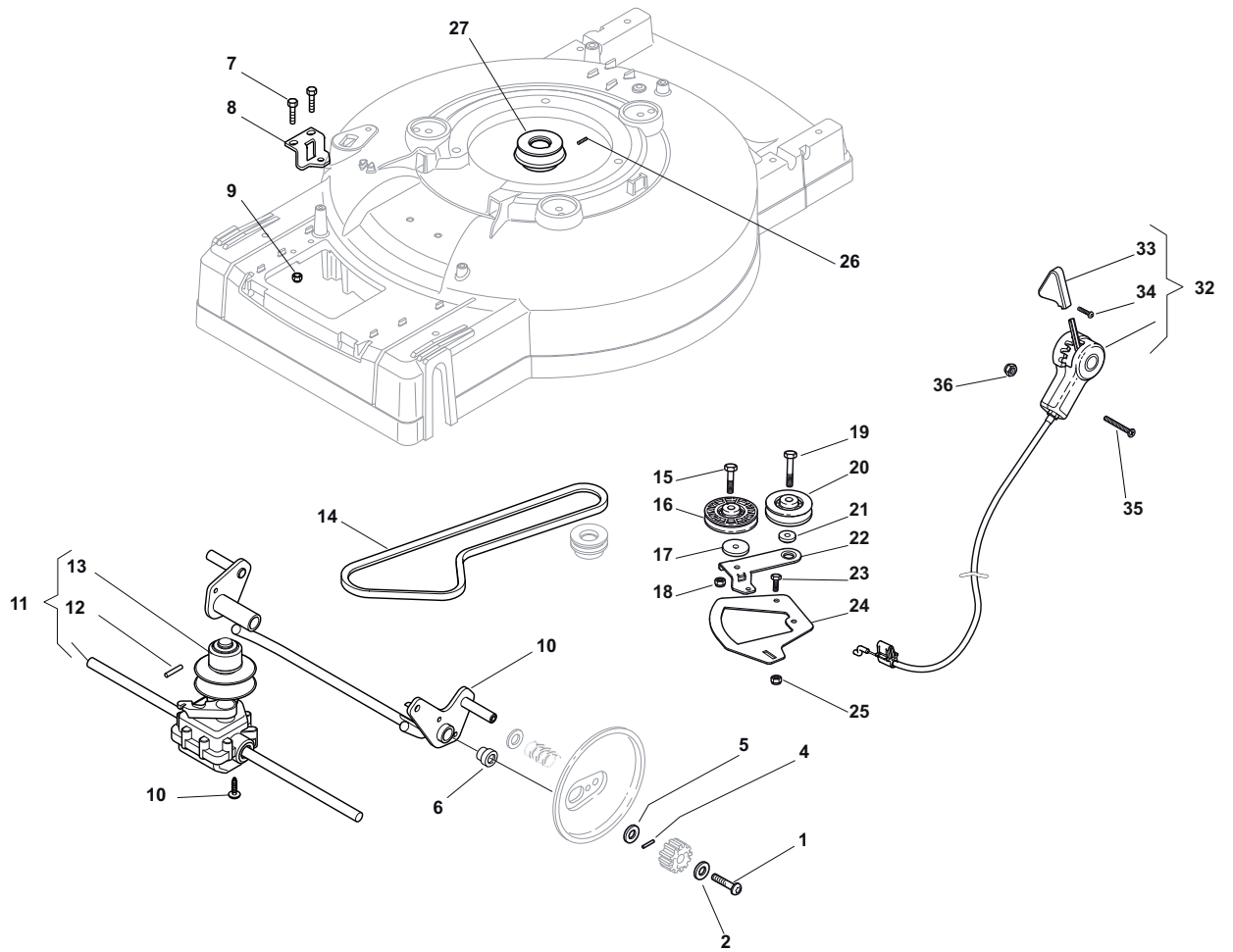
POS	PART. NO	Q.ty	DESCRIPTION	DESCRIZIONE	DESCRIPTION	BESCHREIBUNG	REMARKS
1	381006363/2	1	Handle, Upper Part Yellow	Manico, Parte Sup Giallo	Mancheron, Partie Superieure Jaune	Holm, Oberteil Gelb	Yellow
1	381006367/1	1	Handle, Upper Part Black	Manico, Parte Sup Nero	Mancheron, Partie Superieure Noir	Holm, Oberteil Schwarz	Black
2	112727784/0	1	Screw	Vite	Vis	Schraube	
3	181000690/0	1	Cable, Thread Engine Brake	Cavo Freno Motore	Cable Frein Moteur	Kabel, Motorbremse	B&S 700
3	181000692/0	1	Cable, Thread Engine Brake	Cavo Freno Motore	Cable Frein Moteur	Kabel, Motorbremse	GGP
3	181000728/0	1	Cable, Thread Engine Brake	Cavo Freno Motore	Cable Frein Moteur	Kabel, Motorbremse	B&S 625-675
3	181000730/0	1	Cable, Thread Engine Brake	Cavo Freno Motore	Cable Frein Moteur	Kabel, Motorbremse	GGP150cc - B&S 750
3	181000769/1	1	Cable, Thread Engine Brake	Cavo Freno Motore	Cable Frein Moteur	Kabel, Motorbremse	B&S 450-500-550
3	181000769/1	1	Cable, Thread Engine Brake	Cavo Freno Motore	Cable Frein Moteur	Kabel, Motorbremse	HONDA
4	322551639/0	1	Plate	Piastrina	Plaquette	Plättchen	
5	112154510/0	1	Nut	Dado	Ecrou	Mutter	
6	381003318/1	1	Lever, Engine Brake	Leva Freno Motore	Levier Frein Moteur	Hebel, Motorbremse	
7	112154510/0	2	Nut	Dado	Ecrou	Mutter	
8	112521330/0	2	Washer	Rosetta	Rondelle	Scheibe	
9	122671660/1	2	Washer	Rosetta	Rondelle	Scheibe	
10	112727784/0	2	Screw	Vite	Vis	Schraube	
11	112154510/0	1	Nut	Dado	Ecrou	Mutter	
12	112521330/0	1	Elastic Washer	Disco Elastico	Disque Elastique	Federscheibe	
13	122450446/0	1	Spring	Molla	Ressort	Feder	
14	122170840/0	1	Spacer	Distanziale	Entretoise	Distanzring	
15	381003313/0	1	Lever, Driving	Leva Trazione	Levier Traction	Antriebhebel	
16	112293200/0	1	Nut	Dado	Ecrou	Mutter	
17	322399812/0	1	Knob	Manopolina	Poignée	Griff	
18	112727791/0	1	Screw	Vite	Vis	Schraube	
19	381000745/1	1	Cable, Rear Drive	Cavo Comando Trazione	Câble, Comm. Traction	Kabel, Antrieb	
20	112521330/0	1	Washer	Rosetta	Rondelle	Scheibe	
21	112154510/0	1	Nut	Dado	Ecrou	Mutter	
22	122170842/0	1	Spacer	Distanziale	Entretoise	Distanzring	
23	322551653/0	1	Plate	Piastrina	Plaquette	Plättchen	
25	122170843/0	1	Spacer	Distanziale	Entretoise	Distanzring	
26	112727786/0	1	Screw	Vite	Vis	Schraube	
28	122430314/0	1	Guide Spring	Molla Guida	Ressort De Guide	Feder Führer	
29	381004405/0	1	Dash Board	Cruscotto	Console	Konsole	
30	112154510/0	1	Nut	Dado	Ecrou	Mutter	
31	112727792/0	1	Screw	Vite	Vis	Schraube	
32	112154510/0	1	Nut	Dado	Ecrou	Mutter	
33	322500050/0	1	Shoe	Pattino	Bloc De Glissement	Gleitblock	
34	122524342/0	1	Pin	Perno	Pivot	Bolzen	
35	112604897/0	1	Snap Ring	Anello Elastico	Anneau Ressort	Sprengring	



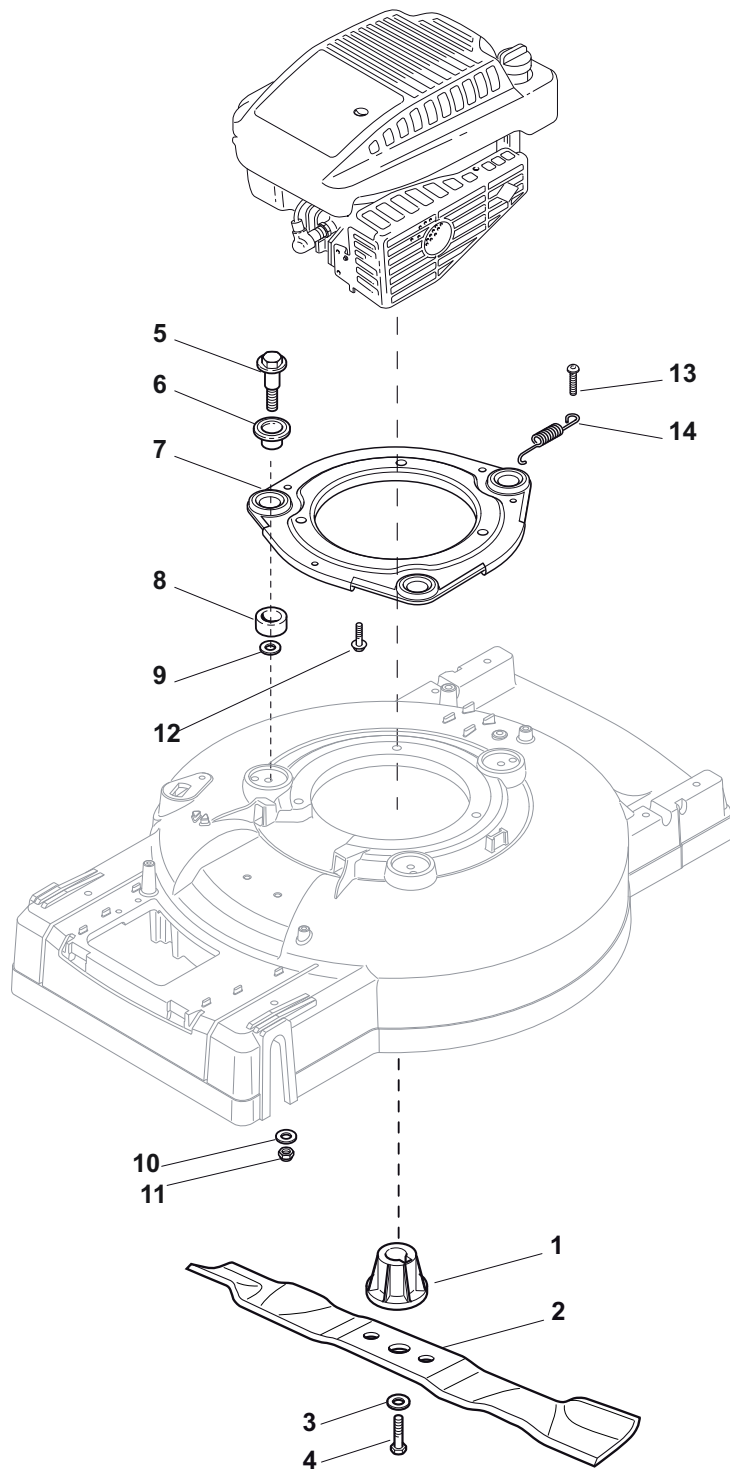
POS	PART. NO	Q.ty	DESCRIPTION	DESCRIZIONE	DESCRIPTION	BESCHREIBUNG	REMARKS
1	322722804/1	1	R Protection	Protezione Dx	Protection D	Rechte Schutz	
2	381000742/1	1	Starter Drive	Comando Starter	Commande Starter	Starter Betaetigung	GGP150cc
2	381030022/0	1	Starter Drive	Comando Starter	Commande Starter	Starter Betaetigung	GGP160cc
2	381030024/0	1	Starter Drive	Comando Starter	Commande Starter	Starter Betaetigung	HONDA
3	322722805/1	1	L Protection	Protezione Sx	Protection G	Linke Schutz	
4	112728300/0	1	Screw	Vite	Vis	Schraube	



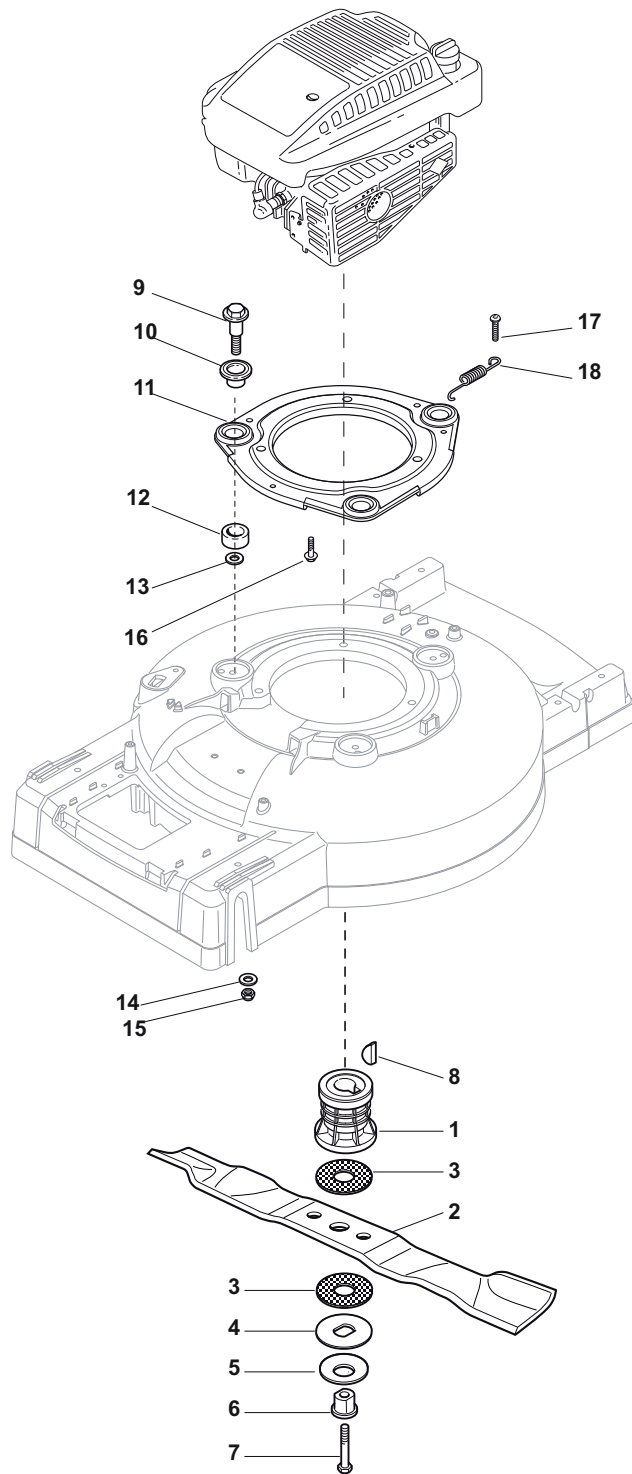
POS	PART. NO	Q.ty	DESCRIPTION	DESCRIZIONE	DESCRIPTION	BESCHREIBUNG	REMARKS
1	112728450/0	2	Screw	Vite	Vis	Schraube	
3	322785122/0	1	Support, Battery	Supporto Batteria	Support Batterie	Halter, Batterie	
4	118120052/0	1	Battery	Batteria	Batterie	Batterie	
5	322109530/0	1	Cover	Capottina	Capot	Haube	
6	118204197/0	1	Cable, Start	Cavo Avviamento	Cable Démarrage	Kabel, Start	B&S-GGP
6	118204198/0	1	Cable, Start	Cavo Avviamento	Cable Démarrage	Kabel, Start	HONDA
7	322722801/0	1	L Protection	Protezione Sx	Protection G	Linke Schutz	
8	322722800/0	1	R Protection	Protezione Dx	Protection D	Rechte Schutz	
9	118450050/0	1	Switch	Interruttore	Interrupteur	Schalter	
10	112728300/0	2	Screw	Vite	Vis	Schraube	
11	112728691/0	1	Screw	Vite	Vis	Schraube	
12	118204120/0	1	Battery Charger	Carica Batteria	Chargeur De Batterie	Ladgerät	CE
12	118204121/0	1	Battery Charger	Carica Batteria	Chargeur De Batterie	Ladgerät	UK
13	118210016/1	1	Starting Key	Chiave Avviamento	Clef A Demarrage	Schlüssel Für Start	



POS	PART. NO	Q.ty	DESCRIPTION	DESCRIZIONE	DESCRIPTION	BESCHREIBUNG	REMARKS
1	112735662/1	2	Screw	Vite	Vis	Schraube	
2	112521460/0	2	Washer	Rosetta	Rondelle	Scheibe	
4	122753002/0	2	Pin	Perno	Pivot	Bolzen	
5	122671661/0	2	Washer	Rosetta	Rondelle	Scheibe	
6	122038406/0	2	Spacer	Distanziale	Entretoise	Distanzring	
7	112791011/0	2	Screw	Vite	Vis	Schraube	
8	322551661/0	1	Plate	Piastrina	Plaquette	Plättchen	
9	112154510/0	2	Nut	Dado	Ecrou	Mutter	
10	381002833/2	1	Axle, Front Wheels	Asse Ruote Anteriori	Axe Roues Avant	Achse, Vorderrad	
11	181003101/2	1	Gear Box	Gruppo Trazione	Groupe Traction	Antrieb	
12	112645700/0	1	Pin	Perno	Pivot	Bolzen	
13	122601925/0	1	Pulley	Puleggia	Poulie	Riemenscheibe	
14	135064383/0	1	Belt	Cinghia	Courroire	Riemen	
15	112674701/0	1	Screw	Vite	Vis	Schraube	
16	122601914/0	1	Pulley	Puleggia	Poulie	Riemenscheibe	
17	322680009/0	1	Washer	Rosetta	Rondelle	Scheibe	
18	112154510/0	1	Nut	Dado	Ecrou	Mutter	
19	112689500/0	1	Screw	Vite	Vis	Schraube	
20	122601915/0	1	Pulley	Puleggia	Poulie	Riemenscheibe	
21	122671656/0	1	Washer	Rosetta	Rondelle	Scheibe	
22	322320007/0	1	Lever	Leva	Levier	Hebel	
23	112791011/0	1	Screw	Vite	Vis	Schraube	
24	322806629/0	1	Support	Supporto	Support	Halter	
25	112154510/0	2	Nut	Dado	Ecrou	Mutter	
26	112714312/0	1	Dowel	Grano	Goupille	Stift	
27	122601917/0	1	Pulley, Crankshaft Ø 22.2	Puleggia, Albero Motore Ø 22.2	Poulie, Arbre Moteur Ø 22.2	Riemenscheibe, Motorwelle Ø 22.2	B&S-GGP
27	122601920/0	1	Pulley, Crankshaft Ø 25	Puleggia, Albero Motore Ø 25	Poulie, Arbre Moteur Ø 25	Riemenscheibe, Motorwelle Ø 25	HONDA
32	381007112/0	1	Cable, Speed Drive Control	Cavo Comando Marce	Cable, Comm. Changement Vitesse	Kabel, Gängeschaltun	
33	322399820/0	1	Knob	Manopolina	Poignée	Griff	
34	112728300/0	1	Screw	Vite	Vis	Schraube	
35	112727787/0	2	Screw	Vite	Vis	Schraube	
36	112154510/0	2	Nut	Dado	Ecrou	Mutter	



POS	PART. NO	Q.ty	DESCRIPTION	DESCRIZIONE	DESCRIPTION	BESCHREIBUNG	REMARKS
1	122465623/0	1	Hub, Crankshaft Ø 22.2	Mozzo, Albero Motore Ø 22.2	Moyeu, Arbre Moteur Ø 22.2	Nabe, Motorwelle Ø 22.2	
2	181004138/0	1	Blade	Coltello	Lame	Messer	
3	112530140/0	1	Washer	Rosetta	Rondelle	Scheibe	
4	112736850/0	1	Screw	Vite	Vis	Schraube	
5	122524329/0	3	Pin	Perno	Pivot	Bolzen	
6	322672201/0	3	Washer	Rosetta	Rondelle	Scheibe	
7	381207225/1	1	Flange, Yellow	Flangia, Giallo	Bride, Jaune	Flansch, Gelb	Yellow
7	322207221/1	1	Flange, Black	Flangia, Nero	Bride, Noir	Flansch, Schwarz	Black
8	122170835/0	3	Grommet	Gommino	Caoutchouc	Gummi	
9	122671651/0	3	Washer	Rosetta	Rondelle	Scheibe	
10	112521350/0	3	Washer	Rosetta	Rondelle	Scheibe	
11	112155000/0	3	Nut	Dado	Ecrou	Mutter	
12	112735108/1	3	Screw	Vite	Vis	Schraube	
13	112729601/1	1	Screw	Vite	Vis	Schraube	
14	122450444/0	1	Spring	Molla	Ressort	Feder	Traction Model
14	122450449/0	1	Spring	Molla	Ressort	Feder	4Speed Model



POS	PART. NO	Q.ty	DESCRIPTION	DESCRIZIONE	DESCRIPTION	BESCHREIBUNG	REMARKS
1	122465621/0	1	Hub, Crankshaft Ø 22.2	Mozzo, Albero Motore Ø 22.2	Moyeu, Arbre Moteur Ø 22.2	Nabe, Motorwelle Ø 22.2	B&S - GGP
1	122465632/0	1	Hub, Crankshaft Ø 25	Mozzo, Albero Motore Ø 25	Moyeu, Arbre Moteur Ø 25	Nabe, Motorwelle Ø 25	HONDA
2	181004139/0	1	Blade Winged	Coltello Alettato	Lame Ailetée	Messer Flügel	
3	322672110/1	2	Clutch Washer	Rondella Frizione	Rondelle Friction	Kupplungscheibe	
4	322672105/0	1	Washer	Rosetta	Rondelle	Scheibe	
5	112508120/0	1	Cupped Spring	Molla A Tazza	Ressort	Teller Feder	
6	122041940/0	1	Clutch Bush	Bussola Frizione	Douille Friction	Kupplungsscheibe	
7	112736815/0	1	Screw	Vite	Vis	Schraube	
8	112139100/0	1	Feather, Crankshaft Ø 22.2	Linguetta, Albero Motore Ø 22.2	Clavette, Arbre Moteur Ø 22.2	Keil, Motorwelle Ø 22.2	B&S - GGP
8	112139150/0	1	Feather, Crankshaft Ø 25	Linguetta, Albero Motore Ø 25	Clavette, Arbre Moteur Ø 25	Keil, Motorwelle Ø 25	HONDA
9	122524329/0	3	Pin	Perno	Pivot	Bolzen	
10	322672201/0	3	Washer	Rosetta	Rondelle	Scheibe	
11	381207225/1	1	Flange, Yellow	Flangia, Giallo	Bride, Jaune	Flansch, Gelb	Yellow
11	322207221/1	1	Flange, Black	Flangia, Nero	Bride, Noir	Flansch, Schwarz	Black
12	322250012/0	3	Grommet	Gommino	Caoutchouc	Gummi	
13	122671651/0	3	Washer	Rosetta	Rondelle	Scheibe	
14	112521350/0	3	Washer	Rosetta	Rondelle	Scheibe	
15	112155000/0	3	Nut	Dado	Ecrou	Mutter	
16	112735108/1	3	Screw	Vite	Vis	Schraube	
17	112729601/1	1	Screw	Vite	Vis	Schraube	
18	122450444/0	1	Spring	Molla	Ressort	Feder	Traction Model
18	122450449/0	1	Spring	Molla	Ressort	Feder	4Speed Model