

ILLUSTRATED PARTS LIST

CA 534
CAL 534



- Use GLOBAL GARDEN PRODUCT Genuine Spare Parts specified in the parts list for repair and/or replacement.
- The contents described in the parts list may change due to improvement.
- The drawings of the spare parts are only indicative and might not represent the part in question exactly.
- The indications "right" - "left" - "front" - "rear" refer to the position of the operator when using the machine.
- When placing orders of parts for repair and/or replacement, make sure that the illustrated parts list is the one applying to the machine's year of manufacture, as shown on the identification plate attached to the machine.

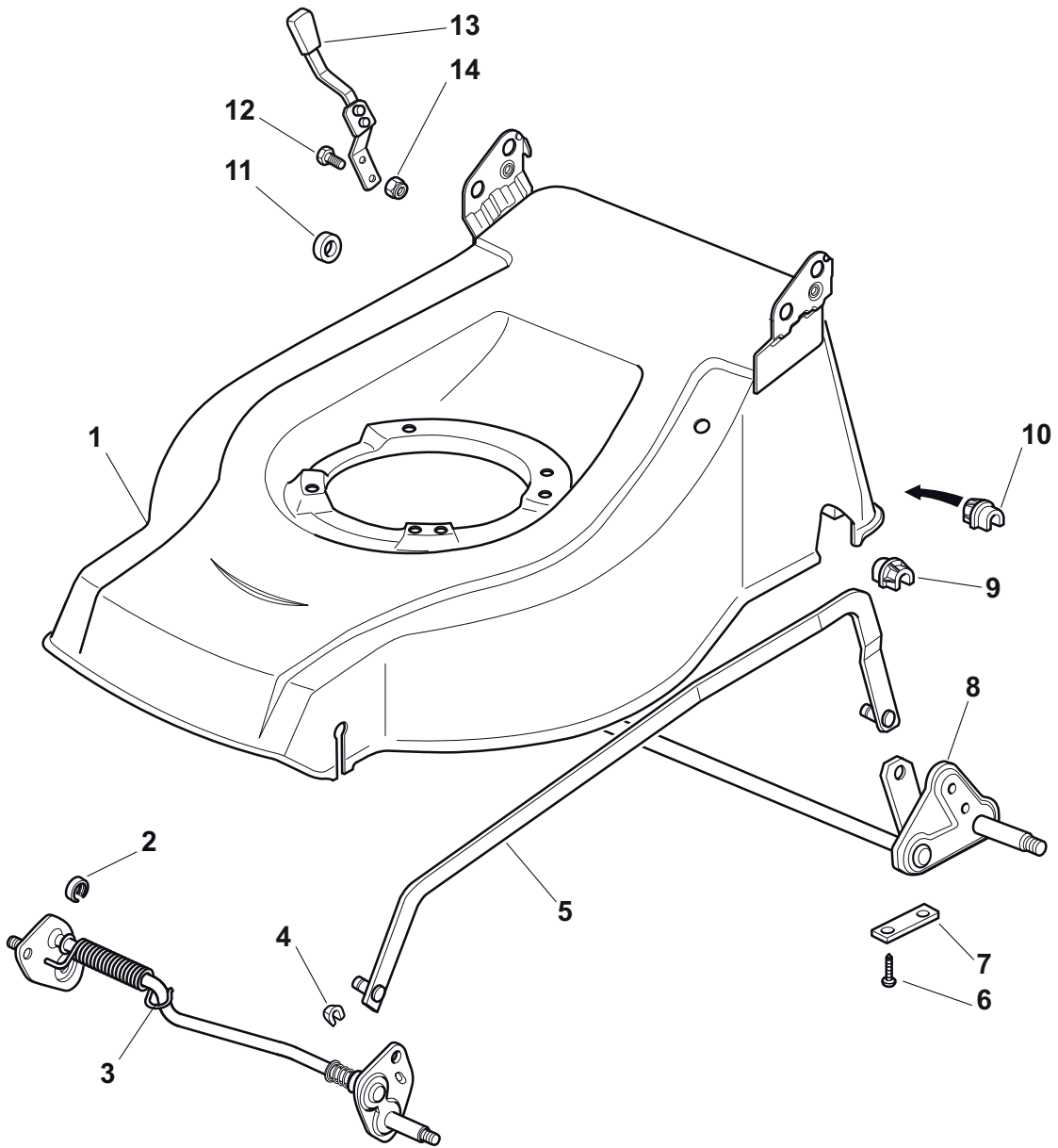
© Copyright 2013 Global Garden Products

All content is subject to copyright by Global Garden Products and may not be reproduced in whole or in part by any means, electronic or otherwise, without prior written approval.

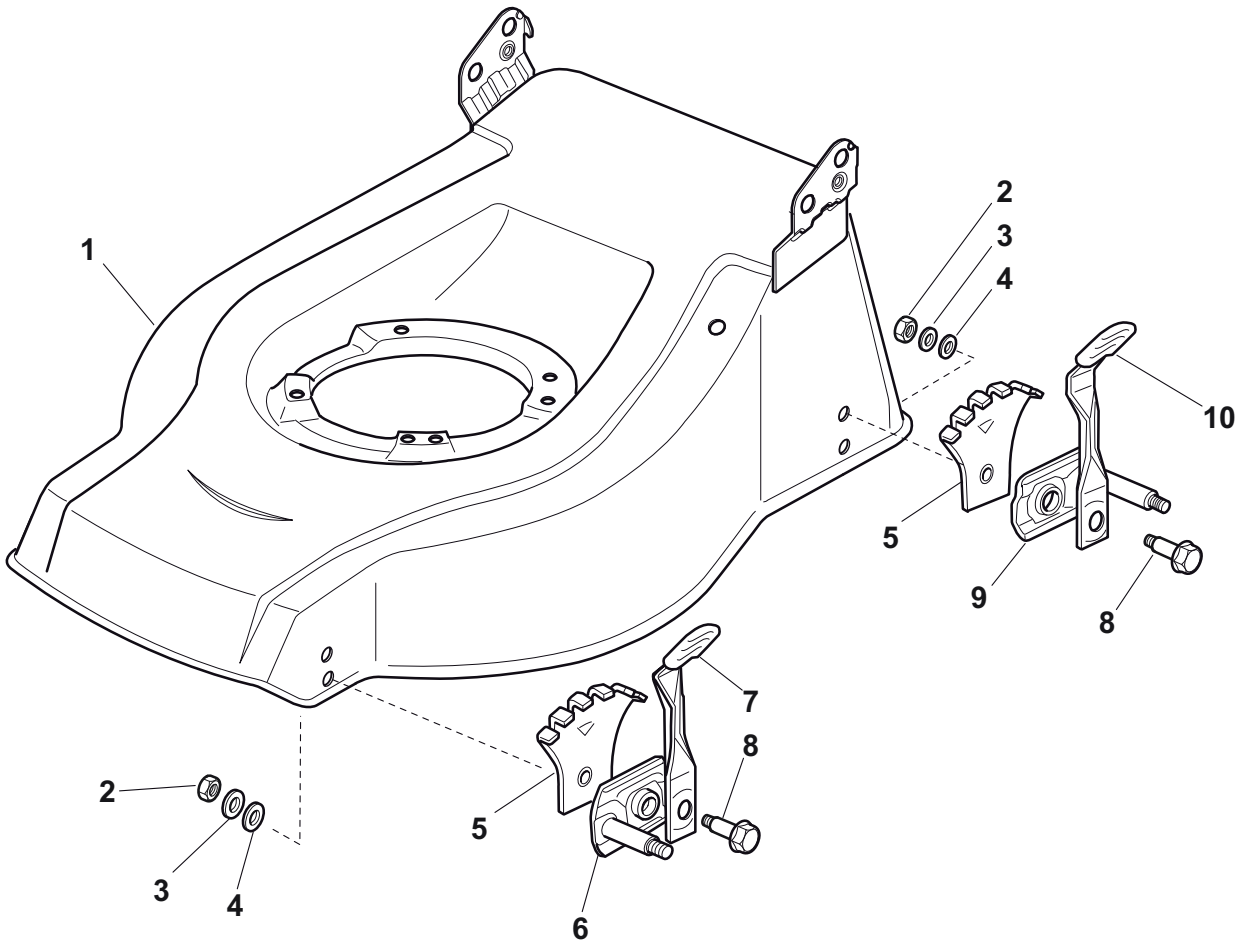
THIS INFORMATION IS NOT INTENDED FOR SALE OR RESALE, AND THIS NOTICE MUST REMAIN ON ALL COPIES.



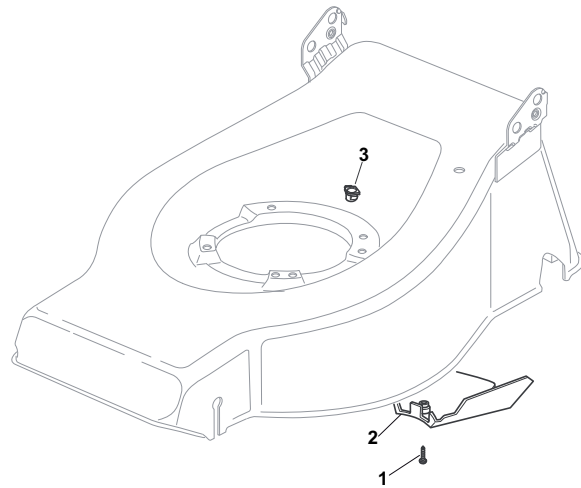
GLOBAL GARDEN PRODUCTS



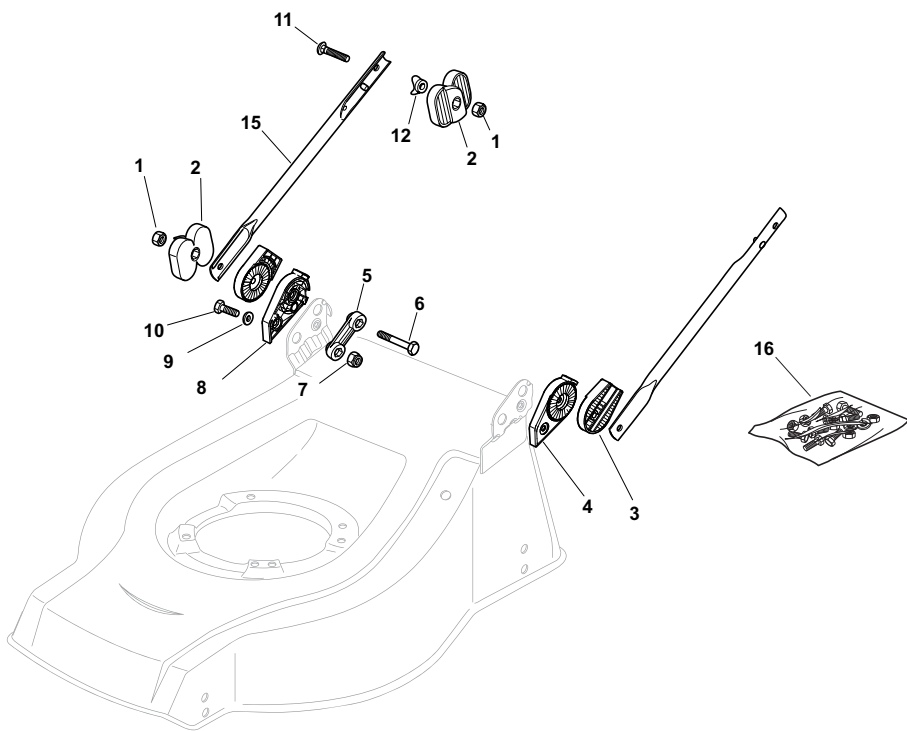
| POS | PART. NO | Q.ty | DESCRIPTION | DESCRIZIONE | DESCRIPTION | BESCHREIBUNG | REMARKS |
|-----|-------------|------|--------------------------|--------------------------------|----------------------------------|-------------------------|---------|
| 1 | 381001821/1 | 1 | Deck Red | Chassis Rosso | Châssis Rouge | Gehäuse Rot | |
| 2 | 122171002/0 | 1 | Spacer | Distanziale | Entretoise | Distanzring | |
| 3 | 381000143/1 | 1 | Axle, Front Wheels | Asse Ruote Anteriori | Axe Roues Avant | Achse, Vorderrad | |
| 4 | 112436051/0 | 2 | Plate | Piastrina | Plaquette | Plättchen | |
| 5 | 381002021/0 | 1 | Rod, Height Adjustment | Asta Comando Regol. Altezza | Tige Commande Reglage Hauteur | Stange, Höheverstellung | |
| 6 | 112731350/0 | 4 | Screw | Vite | Vis | Schraube | |
| 7 | 322545142/0 | 2 | Plate | Piastrina | Plaquette | Plättchen | |
| 8 | 381001278/0 | 1 | Axle, Rear Wheels | Asse Ruote Posteriore | Axe Roues Arriere | Achse, Hinterrad | |
| 9 | 122038403/0 | 1 | L Bush | Bronzina Sx | Douille G | Linke Buchse | |
| 10 | 122038402/0 | 1 | R Bush | Bronzina Dx | Douille D | Rechte Buchse | |
| 11 | 122170800/0 | 1 | Spacer | Distanziale | Entretoise | Distanzring | |
| 12 | 112789000/0 | 2 | Screw | Vite | Vis | Schraube | |
| 13 | 381003283/1 | 1 | Lever, Height Adjustment | Leva Regolazione Altezza | Levier Reglage Hauteur | Hebel, Höneverstellung | |
| 14 | 112154320/0 | 2 | Nut | Dado | Ecrou | Mutter | |



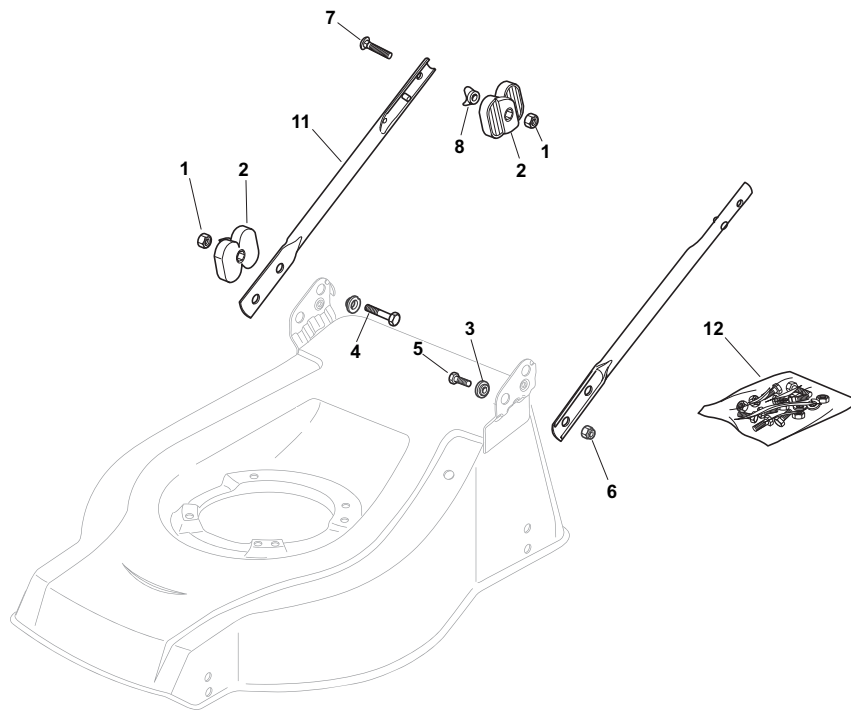
| POS | PART. NO | Q.ty | DESCRIPTION | DESCRIZIONE | DESCRIPTION | BESCHREIBUNG | REMARKS |
|-----|-------------|------|---------------------------|-----------------------------|-------------------------|-------------------------|---------|
| 1 | 381001806/1 | 1 | Deck Red | Chassis Rosso | Châssis Rouge | Gehäuse Rot | |
| 2 | 112293200/0 | 4 | Nut | Dado | Ecrou | Mutter | |
| 3 | 112583500/0 | 4 | Grower | Grower | Grower | Federring | |
| 4 | 112523070/0 | 4 | Washer | Rosetta | Rondelle | Scheibe | |
| 5 | 322735547/0 | 4 | Sector, Height Adjustment | Settore Regolazione Altezza | Secteur Reglage Hauteur | Sektor, Höheverstellung | |
| 6 | 381005082/0 | 2 | Support, Wheel | Supporto Ruota | Support Roue | Halter, Rad | |
| 7 | 481003285/1 | 2 | Lever, Height Adjustment | Leva Regolazione Altezza | Levier Reglage Hauteur | Hebel, Höneverstellung | |
| 8 | 122519811/0 | 4 | Pin | Perno | Pivot | Bolzen | |
| 9 | 381005084/0 | 2 | Support, Wheel | Supporto Ruota | Support Roue | Halter, Rad | |
| 10 | 481003286/0 | 2 | Lever, Height Adjustment | Leva Regolazione Altezza | Levier Reglage Hauteur | Hebel, Höneverstellung | |



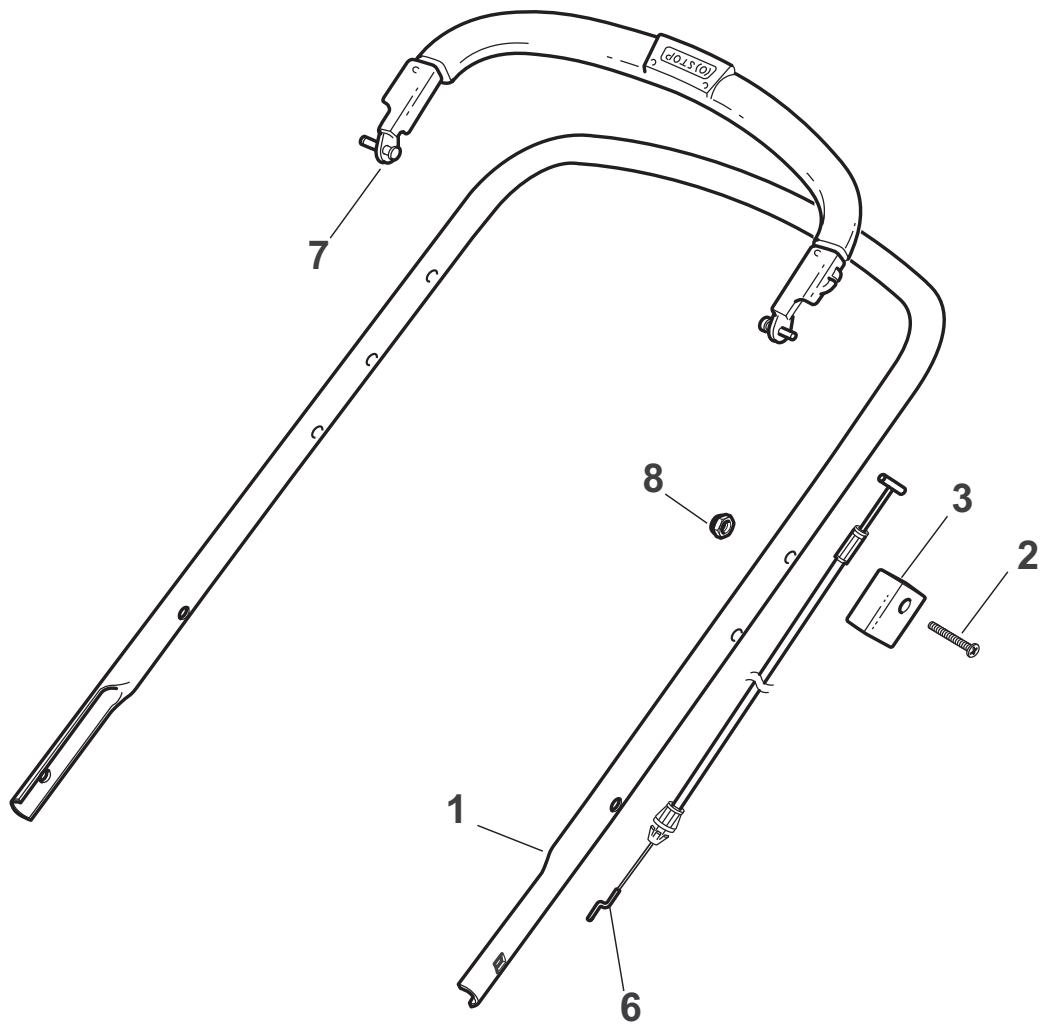
| POS | PART. NO | Q.ty | DESCRIPTION | DESCRIZIONE | DESCRIPTION | BESCHREIBUNG | REMARKS |
|-----|-------------|------|------------------|------------------|---------------------|----------------|---------|
| 1 | 112727791/0 | 1 | Screw | Vite | Vis | Schraube | |
| 2 | 122060195/0 | 1 | Protection, Belt | Carter Cinghia | Protection Courroie | Schutz, Riemen | |
| 3 | 322291150/0 | 1 | Rubber Insert | Inserto In Gomma | Insert De | Gummi Einsatz | |



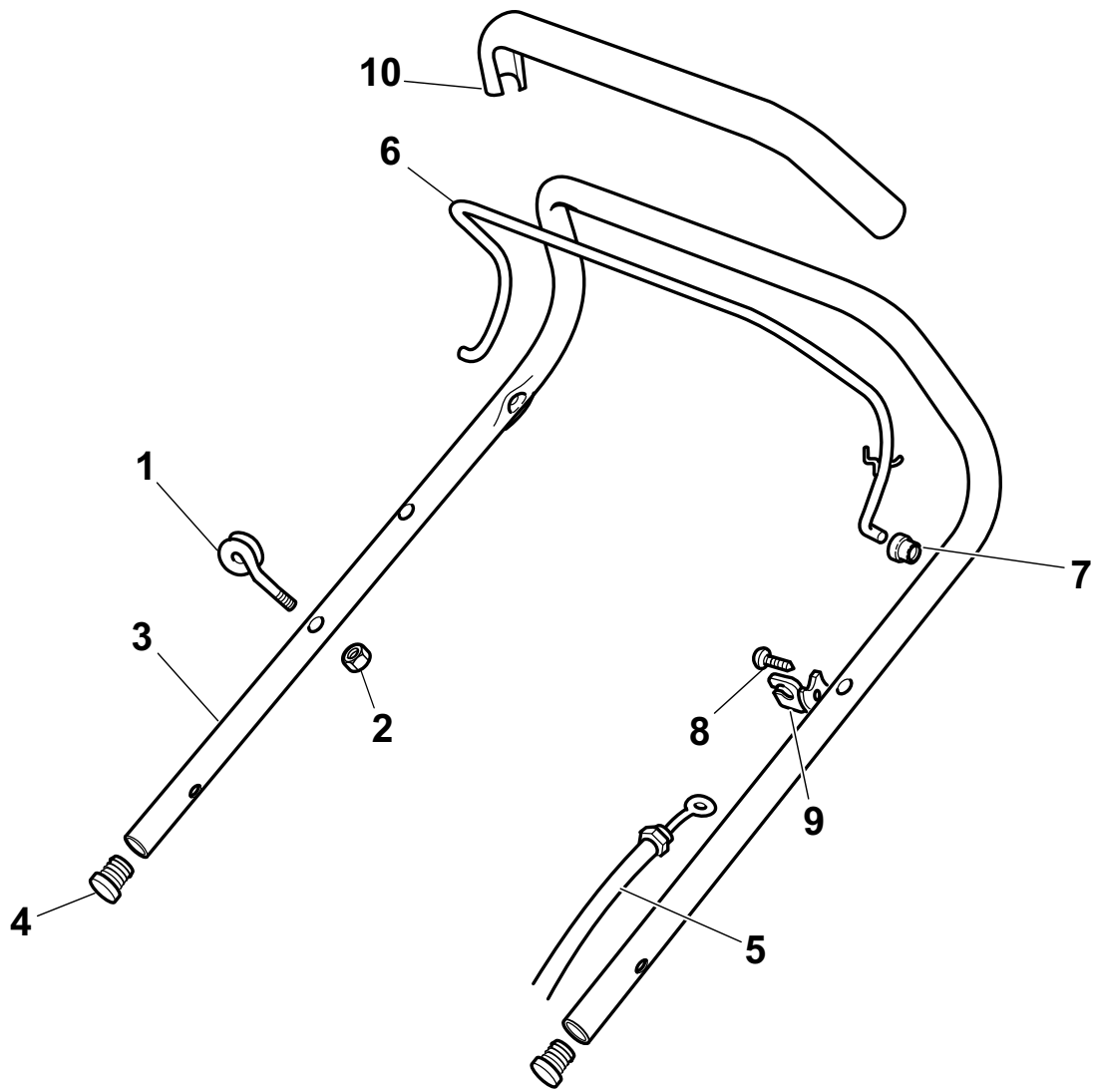
| POS | PART. NO | Q.ty | DESCRIPTION | DESCRIZIONE | DESCRIPTION | BESCHREIBUNG | REMARKS |
|-----|-------------|------|---------------------|--------------------|----------------------------|------------------|---------|
| 1 | 112293202/0 | 4 | Nut | Dado | Ecrou | Mutter | |
| 2 | 122399803/0 | 4 | Knob | Manopolina | Poignée | Griff | |
| 3 | 322785081/1 | 2 | Support, External | Supporto Esterno | Support Externe | Halter, Außere | |
| 4 | 122785083/1 | 1 | Support, L Internal | Supporto Interno | Support Interne D | Halter, Innere R | |
| 5 | 122551575/0 | 2 | Plate, Inside | Piastrina Interna | Plaquette Interne | Platte, Innere | |
| 6 | 112691810/0 | 2 | Screw | Vite | Vis | Schraube | |
| 7 | 112155000/0 | 2 | Nut | Dado | Ecrou | Mutter | |
| 8 | 122785082/0 | 1 | Support, R Internal | Supporto Interno | Support Interne D | Halter, Innere R | |
| 9 | 112521350/0 | 2 | Washer | Rosetta | Rondelle | Scheibe | |
| 10 | 112793301/0 | 2 | Screw | Vite | Vis | Schraube | |
| 11 | 112819125/0 | 2 | Screw | Vite | Vis | Schraube | |
| 12 | 122680006/1 | 2 | Washer | Rosetta | Rondelle | Scheibe | |
| 15 | 381006531/0 | 2 | Handle, Lower Part | Parte Inf Maniglia | Poignée, Partie Inferieure | Griff, Unterteil | |
| 16 | 381008633/0 | 1 | Outfit, Screws | Dotazione Viteria | Dotation Visserie | Satz, Schrauben | |



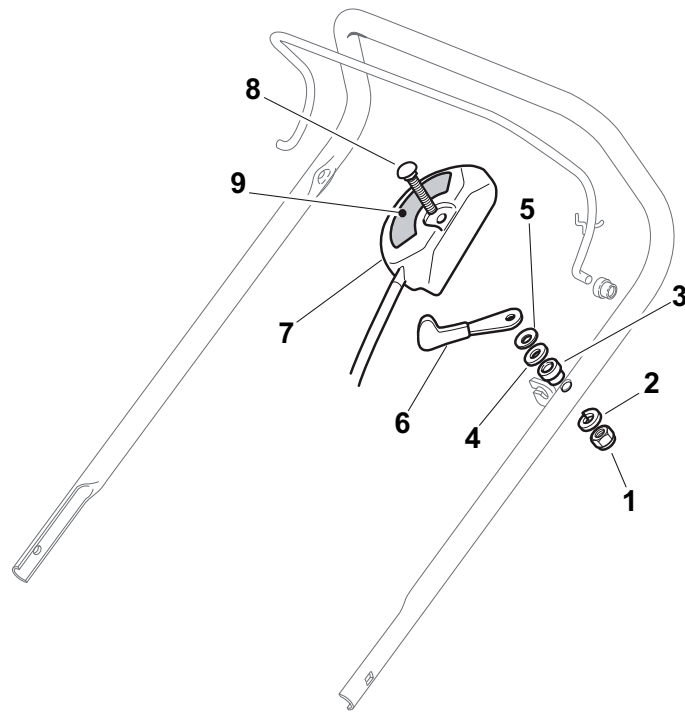
| POS | PART. NO | Q.ty | DESCRIPTION | DESCRIZIONE | DESCRIPTION | BESCHREIBUNG | REMARKS |
|-----|-------------|------|--------------------|--------------------|----------------------------|------------------|---------|
| 1 | 112293202/0 | 4 | Nut | Dado | Ecrou | Mutter | |
| 2 | 122399803/0 | 4 | Knob | Manopolina | Poignée | Griff | |
| 3 | 322041955/0 | 4 | Bush | Bussola | Douille | Büchse | |
| 4 | 112793700/0 | 2 | Screw | Vite | Vis | Schraube | |
| 5 | 112792610/0 | 2 | Screw | Vite | Vis | Schraube | |
| 6 | 112155000/0 | 2 | Nut | Dado | Ecrou | Mutter | |
| 7 | 112819125/0 | 2 | Screw | Vite | Vis | Schraube | |
| 8 | 122680006/1 | 2 | Washer | Rosetta | Rondelle | Scheibe | |
| 11 | 381006973/0 | 2 | Handle, Lower Part | Parte Inf Maniglia | Poignée, Partie Inferieure | Griff, Unterteil | |
| 12 | 381008633/0 | 1 | Outfit, Screws | Dotazione Viteria | Dotation Visserie | Satz, Schrauben | |



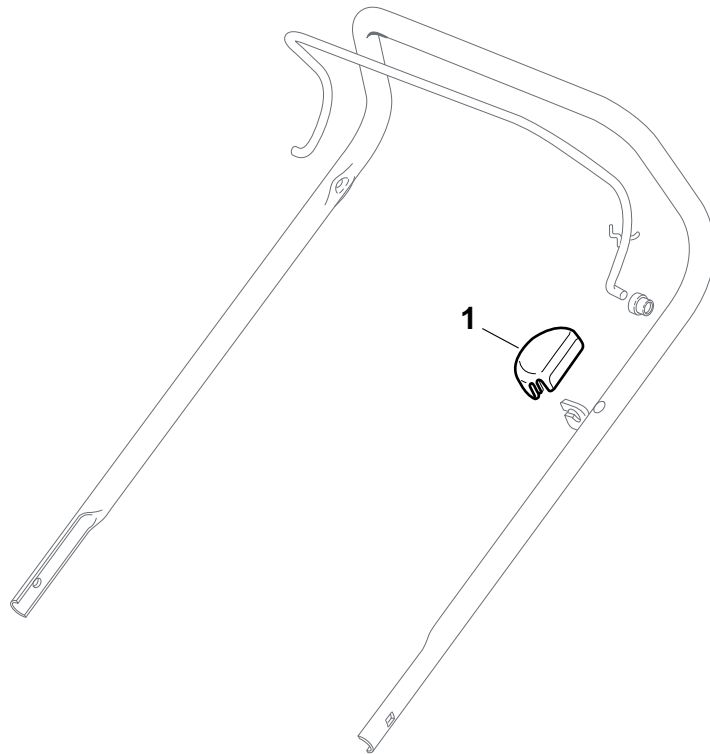
| POS | PART. NO | Q.ty | DESCRIPTION | DESCRIZIONE | DESCRIPTION | BESCHREIBUNG | REMARKS |
|-----|-------------|------|----------------------------|-------------------|------------------------------|--------------------|-------------|
| 1 | 381006979/2 | 1 | Handle, Upper Part | Manico, Parte Sup | Mancheron, Partie Superieure | Holm, Oberteil | |
| 2 | 112689500/0 | 1 | Screw | Vite | Vis | Schraube | |
| 3 | 322551640/0 | 1 | Plate | Piastrina | Plaquette | Plättchen | |
| 6 | 181000657/0 | 1 | Cable, Thread Engine Brake | Cavo Freno Motore | Cable Frein Moteur | Kabel, Motorbremse | GGP |
| 6 | 181000657/0 | 1 | Cable, Thread Engine Brake | Cavo Freno Motore | Cable Frein Moteur | Kabel, Motorbremse | B&S 500 |
| 6 | 181000754/0 | 1 | Cable, Thread Engine Brake | Cavo Freno Motore | Cable Frein Moteur | Kabel, Motorbremse | B&S 625-675 |
| 6 | 181030010/0 | 1 | Cable, Thread Engine Brake | Cavo Freno Motore | Cable Frein Moteur | Kabel, Motorbremse | Honda |
| 6 | 181030011/0 | 1 | Cable, Thread Engine Brake | Cavo Freno Motore | Cable Frein Moteur | Kabel, Motorbremse | DOV |
| 6 | 381000743/0 | 1 | Cable, Thread Engine Brake | Cavo Freno Motore | Cable Frein Moteur | Kabel, Motorbremse | Sumec |
| 7 | 381003298/1 | 1 | Lever, Engine Brake | Leva Freno Motore | Levier Frein Moteur | Hebel, Motorbremse | |
| 8 | 112154510/0 | 1 | Nut | Dado | Ecrou | Mutter | |



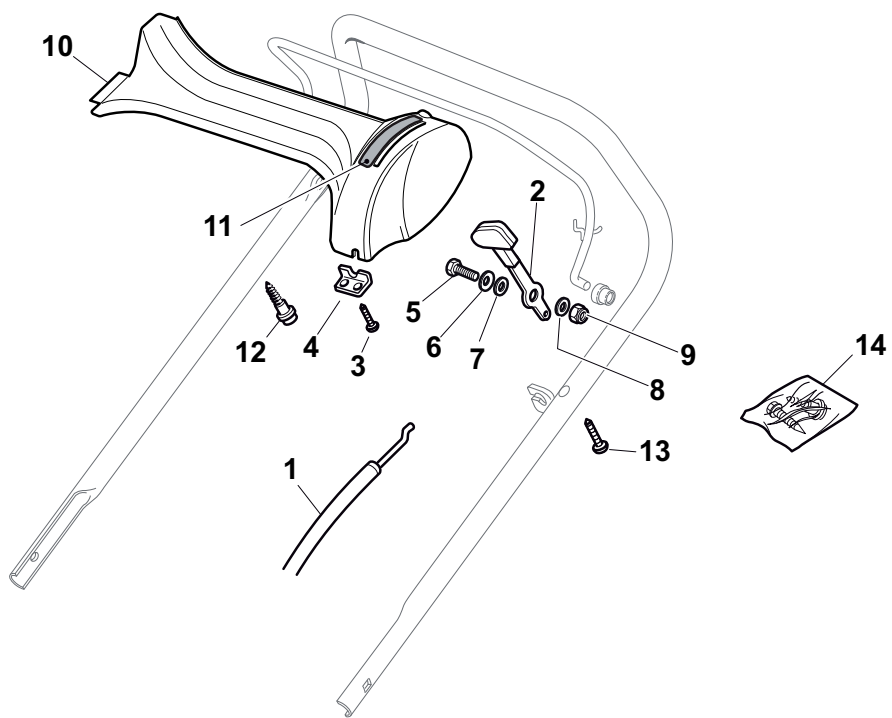
| POS | PART. NO | Q.ty | DESCRIPTION | DESCRIZIONE | DESCRIPTION | BESCHREIBUNG | REMARKS |
|-----|-------------|------|----------------------------|-------------------------|------------------------------|--------------------|------------------|
| 1 | 122430309/0 | 1 | Spring | Molla | Ressort | Feder | |
| 2 | 112154330/0 | 1 | Nut | Dado | Ecrou | Mutter | |
| 3 | 381006977/1 | 1 | Handle, Upper Part | Manico, Parte Sup | Mancheron, Partie Superieure | Holm, Oberteil | |
| 4 | 118566112/0 | 2 | Cap | Puntale | Bouchon | Gummistopfen | |
| 5 | 181000640/0 | 1 | Cable, Thread Engine Brake | Cavo Freno Motore | Cable Frein Moteur | Kabel, Motorbremse | Honda |
| 5 | 181000611/0 | 1 | Cable, Thread Engine Brake | Cavo Freno Motore | Cable Frein Moteur | Kabel, Motorbremse | Sumec |
| 5 | 181000642/1 | 1 | Cable, Thread Engine Brake | Cavo Freno Motore | Cable Frein Moteur | Kabel, Motorbremse | BS675Es |
| 5 | 181000643/0 | 1 | Cable, Thread Engine Brake | Cavo Freno Motore | Cable Frein Moteur | Kabel, Motorbremse | BS 450-500 |
| 5 | 181000756/0 | 1 | Cable, Thread Engine Brake | Cavo Freno Motore | Cable Frein Moteur | Kabel, Motorbremse | BS 625-675 / GGP |
| 5 | 181030009/0 | 1 | Cable, Thread Engine Brake | Cavo Freno Motore | Cable Frein Moteur | Kabel, Motorbremse | DOV |
| 6 | 181003291/3 | 1 | Lever, Engine Brake | Leva Freno Motore | Levier Frein Moteur | Hebel, Motorbremse | |
| 7 | 122041966/0 | 2 | Bush | Bussola | Douille | Büchse | |
| 8 | 112728518/0 | 1 | Screw | Vite | Vis | Schraube | |
| 9 | 322806612/0 | 1 | Support | Supporto | Support | Halter | |
| 10 | 122291050/0 | 1 | Handgrip Black | Impugnatura Manico Nera | Poignée Noir | Handgriff Schwarz | |



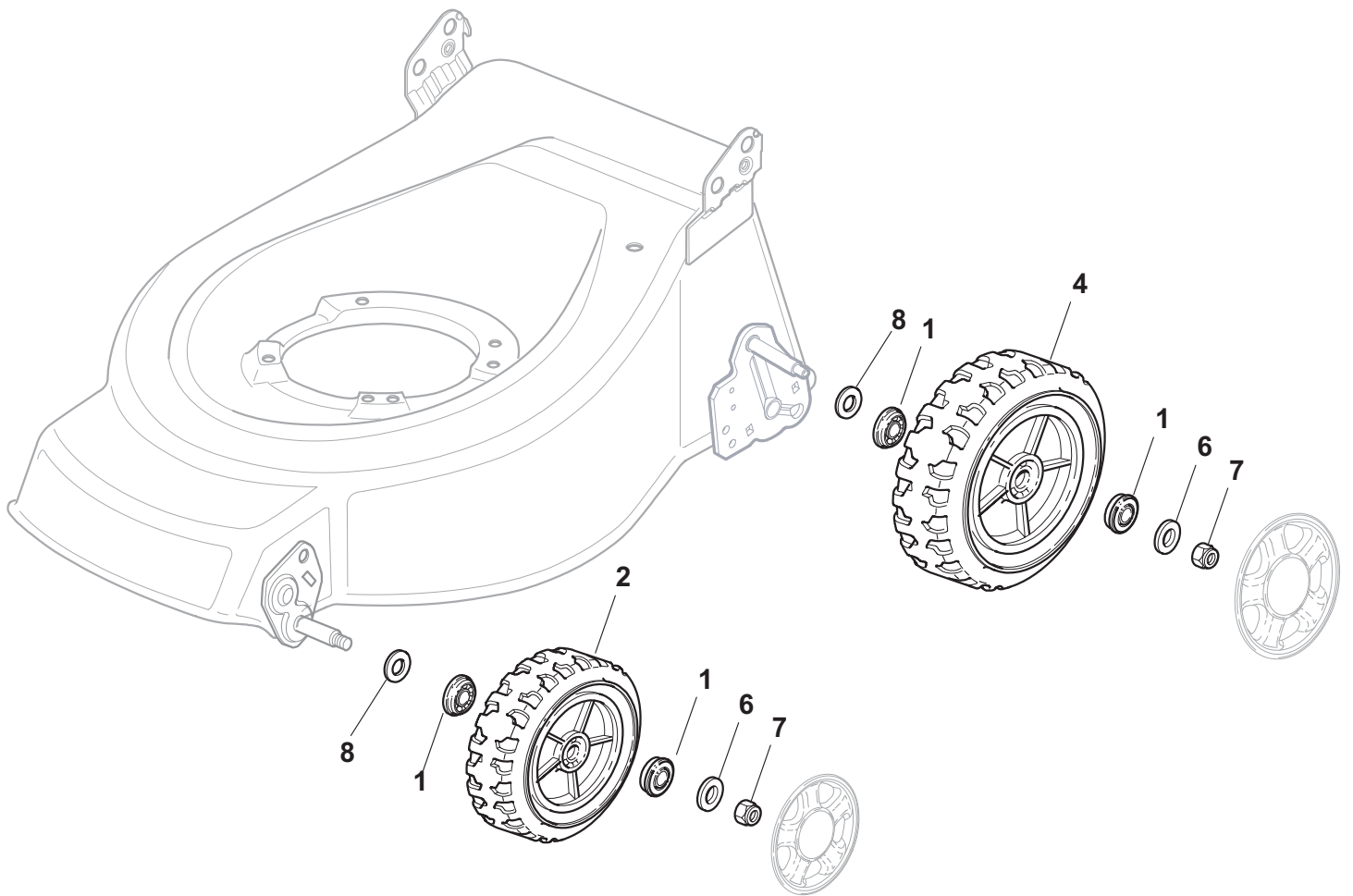
| POS | PART. NO | Q.ty | DESCRIPTION | DESCRIZIONE | DESCRIPTION | BESCHREIBUNG | REMARKS |
|-----|-------------|------|-----------------|--------------------|----------------------|----------------------|---------------------|
| 1 | 12291000/0 | 1 | Nut | Dado | Ecrou | Mutter | |
| 2 | 12581500/0 | 1 | Grower | Grower | Grower | Federring | |
| 3 | 22171005/0 | 1 | Spacer | Distanziale | Entretoise | Distanzring | |
| 4 | 12521360/0 | 1 | Washer | Rosetta | Rondelle | Scheibe | |
| 5 | 12508100/0 | 1 | Spring Washer | Rosetta Elastica | Rondelle Elastique | Elastische Scheibe | |
| 6 | 81007279/1 | 1 | Lever, Throttle | Leva, Acceleratore | Levier, Accelérateur | Hebel, Beschleuniger | B&S-GGP-Honda |
| 6 | 81007220/0 | 1 | Lever, Throttle | Leva, Acceleratore | Levier, Accelérateur | Hebel, Beschleuniger | B&S450-500/GGP150cc |
| 7 | 81007080/0 | 1 | Throttle Cable | Cavo Acceleratore | Cable, Accelérateur | Gashebel Kabel | |
| 8 | 12815000/0 | 1 | Screw | Vite | Vis | Schraube | |
| 9 | 14356703/0 | 1 | Label | Etichetta | Etiquette | Etikette | B&S |
| 9 | 114356905/0 | 1 | Label | Etichetta | Etiquette | Etikette | B&S DOV |
| 9 | 14356702/0 | 1 | Label | Etichetta | Etiquette | Etikette | GGP |
| 9 | 114364264/0 | 1 | Label | Etichetta | Etiquette | Etikette | GGP AVS |
| 9 | 14356702/0 | 1 | Label | Etichetta | Etiquette | Etikette | Honda |
| 9 | 114356905/0 | 1 | Label | Etichetta | Etiquette | Etikette | Honda AC |



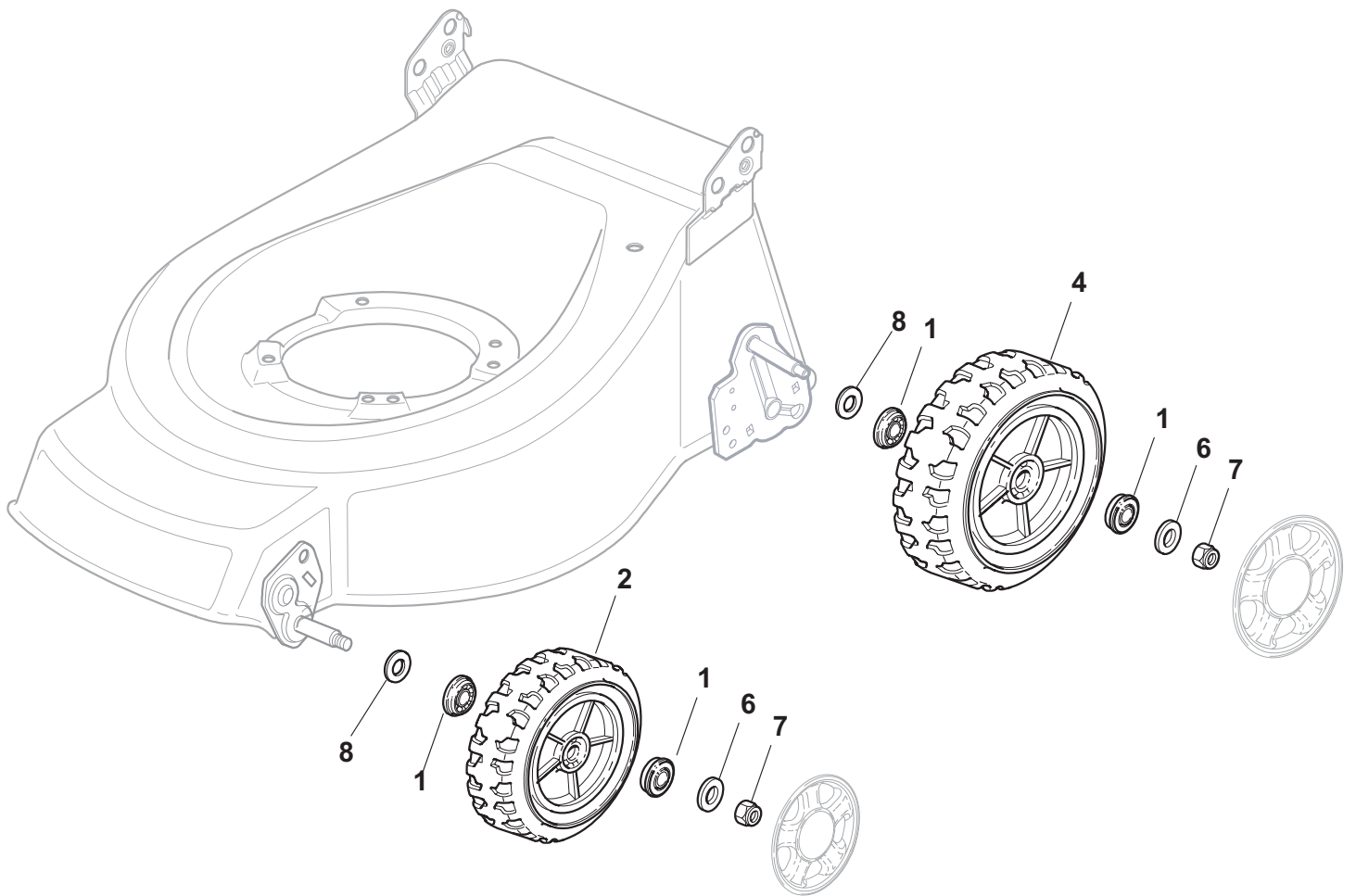
| POS | PART. NO | Q.ty | DESCRIPTION | DESCRIZIONE | DESCRIPTION | BESCHREIBUNG | REMARKS |
|-----|------------|------|-------------|-------------|-------------|--------------|---------|
| 1 | 22601000/0 | 1 | Protection | Protezione | Protection | Schutz | |



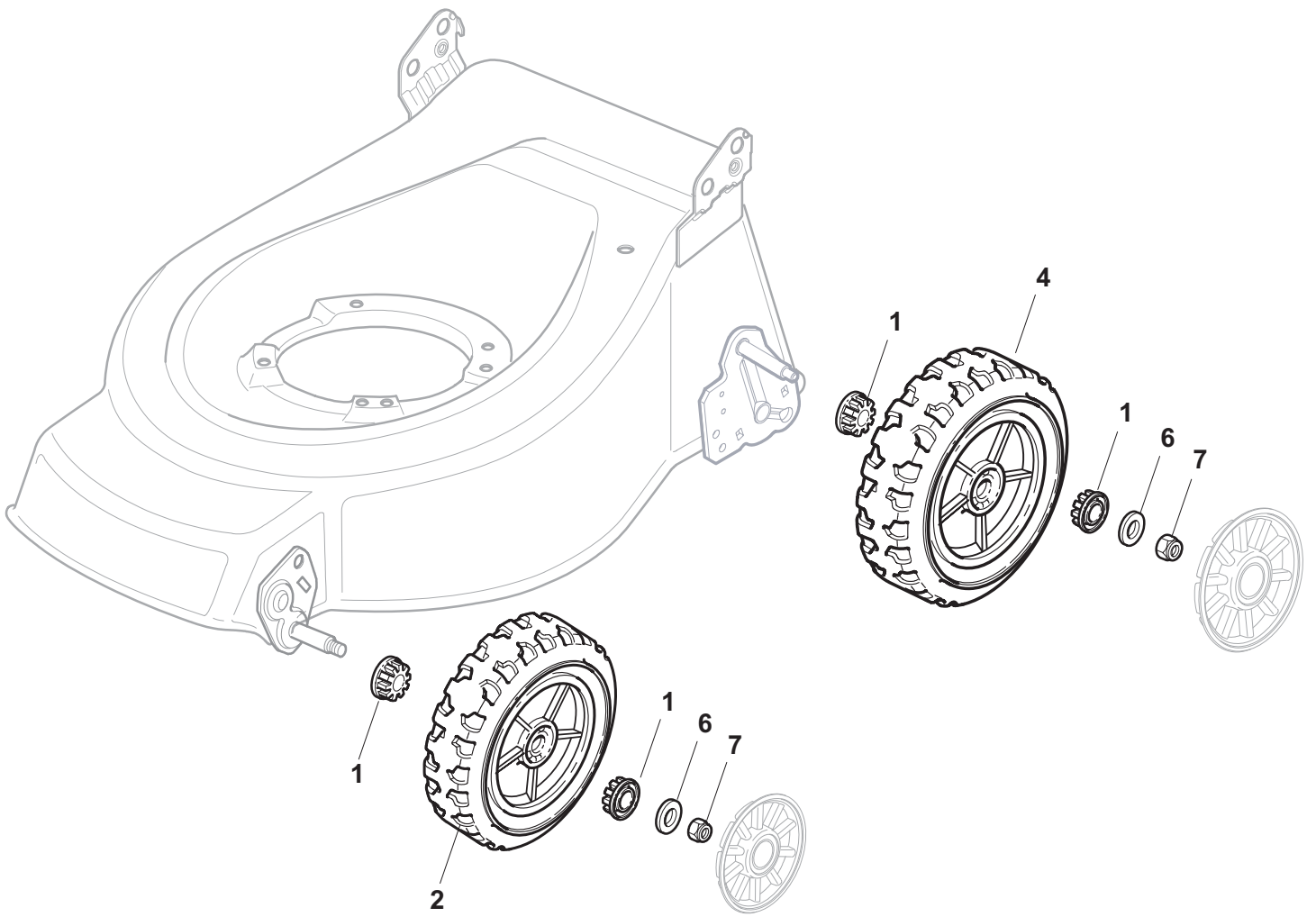
| POS | PART. NO | Q.ty | DESCRIPTION | DESCRIZIONE | DESCRIPTION | BESCHREIBUNG | REMARKS |
|-----|-------------|------|---------------------------|-----------------------------|----------------------------|-------------------------|---------------------|
| 1 | 81007160/0 | 1 | Throttle Cable | Cavo Acceleratore | Cable, Accelérateur | Gashebel Kabel | |
| 2 | 81007280/2 | 1 | Lever, Throttle | Leva, Acceleratore | Levier | Hebel, Beshleuniger | B&S-GGP-Honda |
| 2 | 81007221/0 | 1 | Lever, Throttle | Leva, Acceleratore | Levier | Hebel, Beshleuniger | B&S450-500/GGP150cc |
| 3 | 12735105/0 | 2 | Screw | Vite | Vis | Schraube | |
| 4 | 22981467/0 | 1 | Plate | Piastrina | Plaquette | Platte | |
| 5 | 12791500/0 | 1 | Screw | Vite | Vis | Schraube | |
| 6 | 12530060/0 | 1 | Elastic Washer | Rosetta Elastica | Rondelle Elastique | Elastische Scheibe | |
| 7 | 12523040/0 | 1 | Washer | Rosetta | Rondelle | Scheibe | |
| 8 | 12523040/0 | 1 | Washer | Rosetta | Rondelle | Scheibe | |
| 9 | 12154510/0 | 1 | Nut | Dado | Ecrou | Mutter | |
| 10 | 22120172/0 | 1 | Dash Board Black | Cruscotto Nero | Console Noire | Konsole Schwarze | |
| 10 | 22120173/0 | 1 | Dash Board Red | Cruscotto Rosso | Console Rouge | Konsole Rote | |
| 10 | 22120174/0 | 1 | Dash Board Yellow | Cruscotto Giallo | Console Jaune | Konsole Gelbe | |
| 11 | 114356744/1 | 1 | Label | Etichetta | Etiquette | Etikette | B&S |
| 11 | 114356906/1 | 1 | Label | Etichetta | Etiquette | Etikette | B&S 700 |
| 11 | 114356743/1 | 1 | Label | Etichetta | Etiquette | Etikette | GGP |
| 11 | 114356743/1 | 1 | Label | Etichetta | Etiquette | Etikette | Honda |
| 11 | 114357646/1 | 1 | Label | Etichetta | Etiquette | Etikette | Honda AC |
| 12 | 22943006/0 | 1 | Screw | Vite | Vis | Schraube | |
| 13 | 12728460/0 | 1 | Screw | Vite | Vis | Schraube | |
| 14 | 81008609/0 | 1 | Outfit, Dash-Board Screws | Dotazione Viteria Cruscotto | Dotation Visserie Consolle | Satz, Konsole Schrauben | |



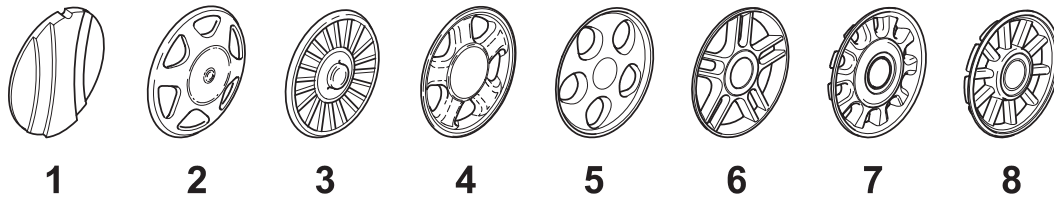
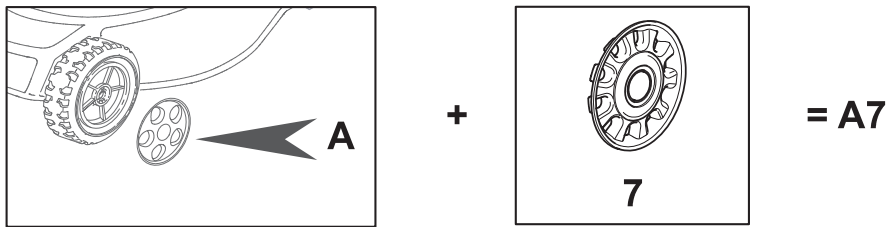
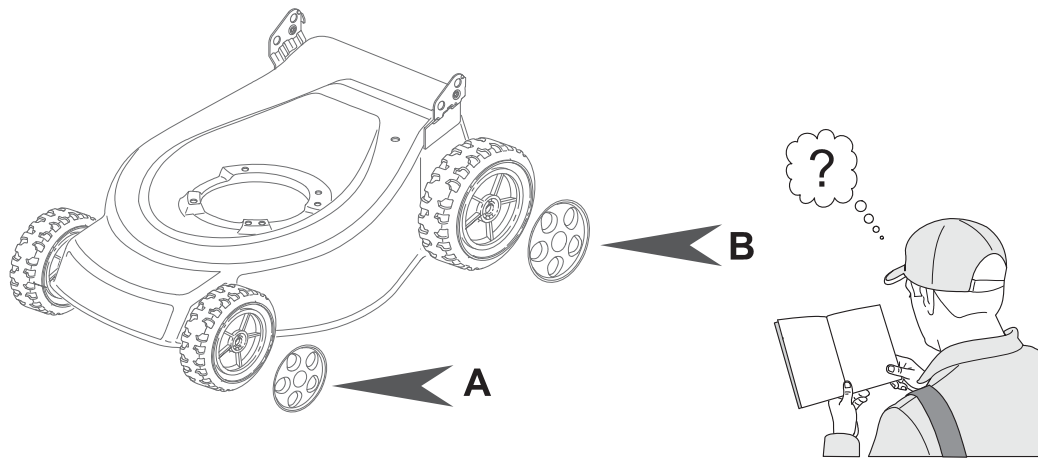
| POS | PART. NO | Q.ty | DESCRIPTION | DESCRIZIONE | DESCRIPTION | BESCHREIBUNG | REMARKS |
|-----|-------------|------|----------------|-------------------|------------------|--------------|---------|
| 1 | 122122200/0 | 8 | Bearing | Cuscinetto | Coussinet | Lager | |
| 2 | 381007351/0 | 2 | Wheel Ø 170 | Ruota Ø 170 | Roue Ø 170 | Rad Ø 170 | |
| 4 | 181007343/0 | 2 | Wheel Ø 210 | Ruota Stiga Ø 210 | Roue Ø 210 | Rad Ø 210 | |
| 6 | 112523060/0 | 4 | Washer | Rosetta | Rondelle | Scheibe | |
| 7 | 112155000/0 | 4 | Nut | Dado | Ecrou | Mutter | |
| 8 | 112530150/0 | 4 | Elastic Washer | Disco Elastico | Disque Elastique | Federscheibe | |



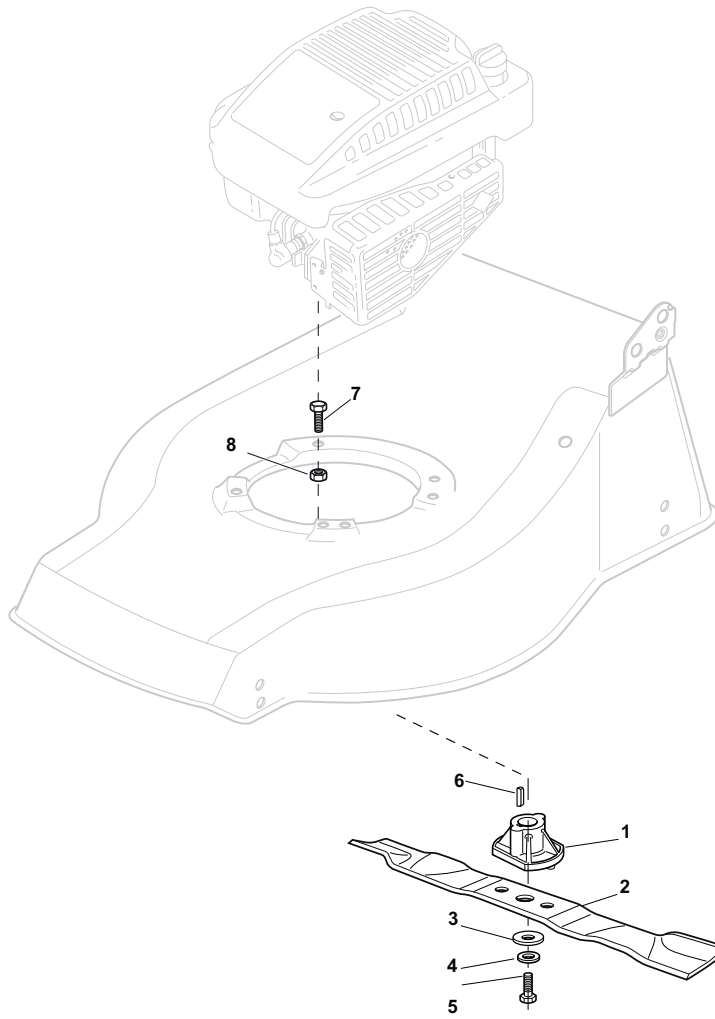
| POS | PART. NO | Q.ty | DESCRIPTION | DESCRIZIONE | DESCRIPTION | BESCHREIBUNG | REMARKS |
|-----|-------------|------|----------------|--------------------|------------------|--------------|---------|
| 1 | 122122200/0 | 8 | Bearing | Cuscinetto | Coussinet | Lager | |
| 2 | 381007420/1 | 2 | Wheel Ø 170 | Ruota Ø 170 | Roue Ø 170 | Rad Ø 170 | |
| 4 | 381007390/1 | 2 | Wheel Ø 210 | Ruota Rigata Ø 210 | Roue Ø 210 | Rad. Ø 210 | |
| 6 | 112523060/0 | 4 | Washer | Rosetta | Rondelle | Scheibe | |
| 7 | 112155000/0 | 4 | Nut | Dado | Ecrou | Mutter | |
| 8 | 112530150/0 | 4 | Elastic Washer | Disco Elastico | Disque Elastique | Federscheibe | |



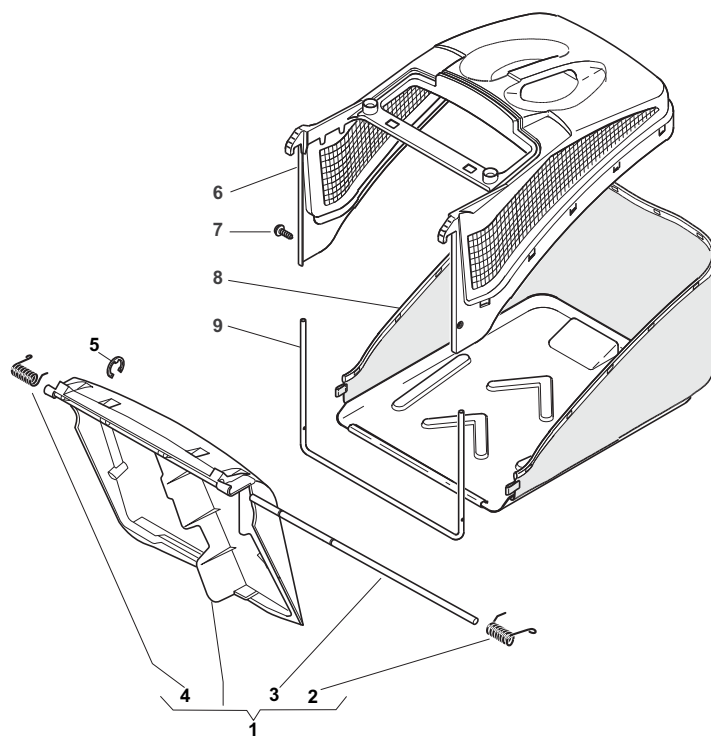
| POS | PART. NO | Q.ty | DESCRIPTION | DESCRIZIONE | DESCRIPTION | BESCHREIBUNG | REMARKS |
|-----|-------------|------|-------------|-------------------|-------------|--------------|---------|
| 1 | 122034508/0 | 8 | Bush | Bussola | Douille | Büchse | |
| 2 | 381007351/0 | 2 | Wheel Ø 170 | Ruota Ø 170 | Roue Ø 170 | Rad Ø 170 | |
| 4 | 181007343/0 | 2 | Wheel Ø 210 | Ruota Stiga Ø 210 | Roue Ø 210 | Rad Ø 210 | |
| 6 | 112523060/0 | 4 | Washer | Rosetta | Rondelle | Scheibe | |
| 7 | 112155000/0 | 4 | Nut | Dado | Ecrou | Mutter | |



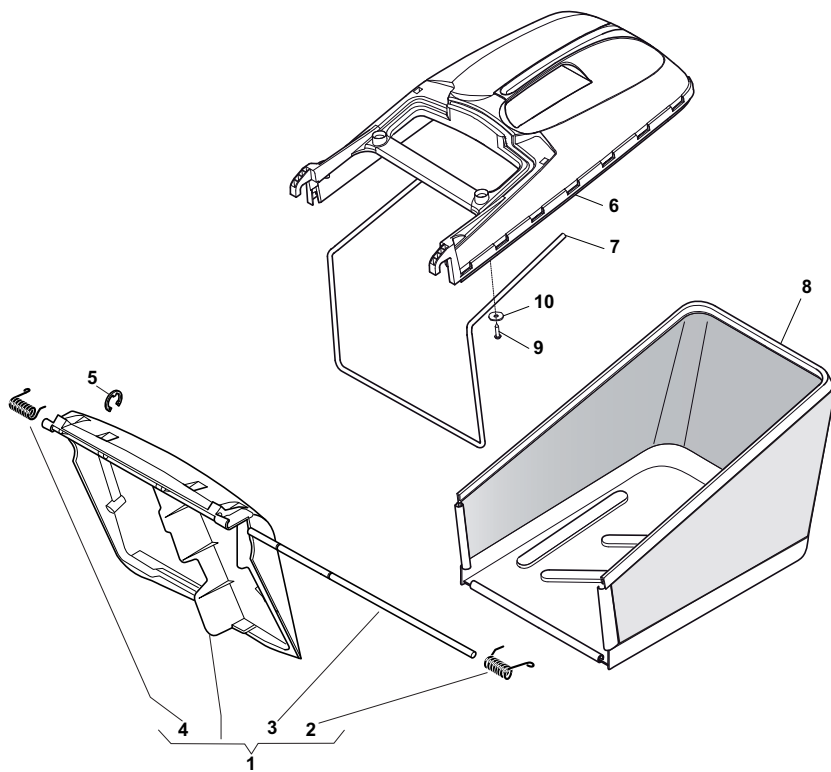
| POS | PART. NO | Q.ty | DESCRIPTION | DESCRIZIONE | DESCRIPTION | BESCHREIBUNG | REMARKS |
|-----|------------|------|----------------|------------------|--------------------|---------------|---------|
| A1 | 22110252/1 | 2 | Hub Cap White | Coprimito Bianco | Couvre-Moyeu Blanc | Radkappe Weiß | |
| A1 | 22110254/1 | 2 | Hub Cap Yellow | Coprimito Giallo | Couvre-Moyeu Jaune | Radkappe Gelb | |
| A1 | 22110255/1 | 2 | Hub Cap Red | Coprimito Rosso | Couvre-Moyeu Rouge | Radkappe Rot | |
| A2 | 22110344/0 | 2 | Hub Cap White | Coprimito Bianco | Couvre-Moyeu Blanc | Radkappe Weiß | |
| A2 | 22110395/0 | 2 | Hub Cap Grey | Coprimito Grigio | Couvre-Moyeu Gris | Radkappe Grau | |
| A3 | 22110347/0 | 2 | Hub Cap Grey | Coprimito Grigio | Couvre-Moyeu Gris | Radkappe Grau | |
| A4 | 22110381/0 | 2 | Hub Cap Grey | Coprimito Grigio | Couvre-Moyeu Gris | Radkappe Grau | |
| A5 | 22110416/0 | 2 | Hub Cap Grey | Coprimito Grigio | Couvre-Moyeu Gris | Radkappe Grau | |
| A6 | 22110491/0 | 2 | Hub Cap Grey | Coprimito Grigio | Couvre-Moyeu Gris | Radkappe Grau | |
| A7 | 22110493/0 | 2 | Hub Cap Grey | Coprimito Grigio | Couvre-Moyeu Gris | Radkappe Grau | |
| A8 | 22110495/0 | 2 | Hub Cap Grey | Coprimito Grigio | Couvre-Moyeu Gris | Radkappe Grau | |
| B1 | 22110251/0 | 2 | Hub Cap White | Coprimito Bianco | Couvre-Moyeu Blanc | Radkappe Weiß | |
| B1 | 22110253/0 | 2 | Hub Cap Yellow | Coprimito Giallo | Couvre-Moyeu Jaune | Radkappe Gelb | |
| B1 | 22110256/0 | 2 | Hub Cap Grey | Coprimito Grigio | Couvre-Moyeu Gris | Radkappe Grau | |
| B2 | 22110313/0 | 2 | Hub Cap White | Coprimito Bianco | Couvre-Moyeu Blanc | Radkappe Weiß | |
| B2 | 22110314/0 | 2 | Hub Cap Grey | Coprimito Grigio | Couvre-Moyeu Gris | Radkappe Grau | |
| B3 | 22110348/0 | 2 | Hub Cap Grey | Coprimito Grigio | Couvre-Moyeu Gris | Radkappe Grau | |
| B4 | 22110382/0 | 2 | Hub Cap Grey | Coprimito Grigio | Couvre-Moyeu Gris | Radkappe Grau | |
| B5 | 22110417/0 | 2 | Hub Cap Grey | Coprimito Grigio | Couvre-Moyeu Gris | Radkappe Grau | |
| B6 | 22110492/0 | 2 | Hub Cap Grey | Coprimito Grigio | Couvre-Moyeu Gris | Radkappe Grau | |
| B7 | 22110494/0 | 2 | Hub Cap Grey | Coprimito Grigio | Couvre-Moyeu Gris | Radkappe Grau | |
| B8 | 22110496/0 | 2 | Hub Cap Grey | Coprimito Grigio | Couvre-Moyeu Gris | Radkappe Grau | |



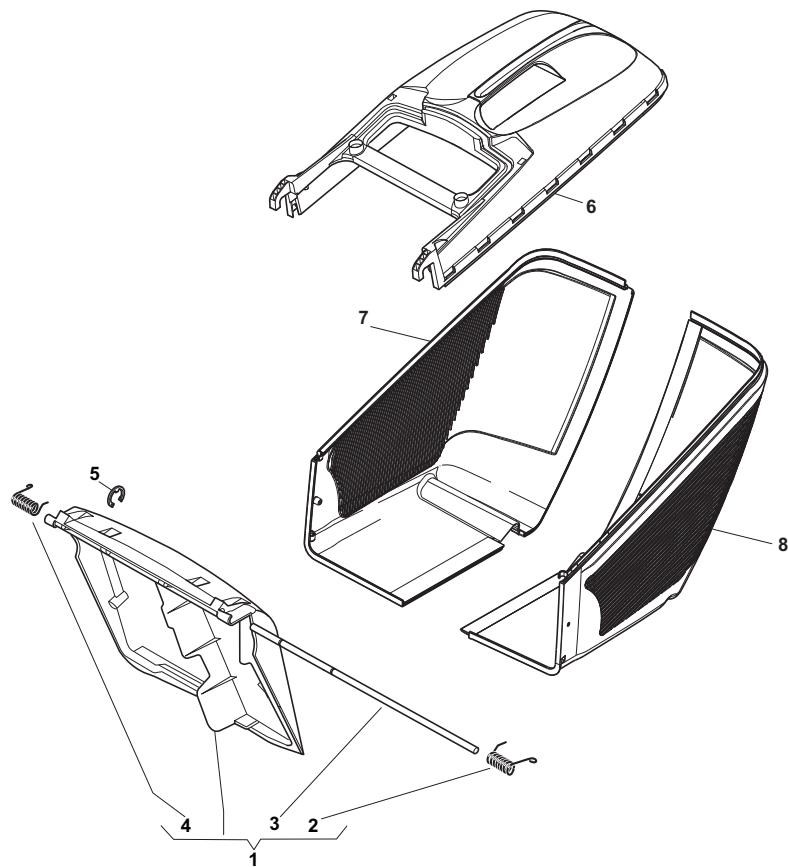
| POS | PART. NO | Q.ty | DESCRIPTION | DESCRIZIONE | DESCRIPTION | BESCHREIBUNG | REMARKS |
|-----|-------------|------|----------------------------|---------------------------------|-------------------------------|-------------------------|-----------------------|
| 1 | 122463012/2 | 1 | Hub, Crankshaft Ø 22.2 | Mozzo, Albero Motore Ø 22.2 | Moyeu, Arbre Moteur Ø 22.2 | Nabe, Motorwelle Ø 22.2 | GGP-B&S |
| 1 | 122463020/1 | 1 | Hub, Crankshaft Ø 25 | Mozzo, Albero Motore Ø 25 | Moyeu, Arbre Moteur Ø 25 | Nabe, Motorwelle Ø 25 | Honda |
| 2 | 181004381/1 | 1 | Blade Standard | Coltello Standard | Lame Standard | Messer Standard | |
| 2 | 181004398/0 | 1 | Blade Winged | Coltello Alettato | Lame Ailetée | Messer Flügel | |
| 3 | 122160400/0 | 1 | Elastic Washer | Disco Elastico | Disque Elastique | Federscheibe | |
| 4 | 112523080/0 | 1 | Washer | Rosetta | Rondelle | Scheibe | |
| 5 | 112735698/0 | 1 | Screw | Vite | Vis | Schraube | |
| 6 | 112139100/0 | 1 | Feather, Crankshaft Ø 22.2 | Linguetta, Albero Motore Ø 22.2 | Clavette, Arbre Moteur Ø 22.2 | Keil, Motorwelle Ø 22.2 | GGP-B&S |
| 6 | 112139150/0 | 1 | Feather, Crankshaft Ø 25 | Linguetta, Albero Motore Ø 25 | Clavette, Arbre Moteur Ø 25 | Keil, Motorwelle Ø 25 | Honda |
| 7 | 112691100/0 | 1 | Screw | Vite | Vis | Schraube | BS 450-500 |
| 7 | 112793701/0 | 2 | Screw | Vite | Vis | Schraube | BS 450-500 |
| 7 | 112691100/0 | 3 | Screw | Vite | Vis | Schraube | BS 625-675-Es / Sumec |
| 7 | 112691115/0 | 3 | Screw | Vite | Vis | Schraube | GGP-Honda |
| 8 | 112154210/0 | 3 | Nut | Dado | Ecrou | Mutter | |



| POS | PART. NO | Q.ty | DESCRIPTION | DESCRIZIONE | DESCRIPTION | BESCHREIBUNG | REMARKS |
|-----|-------------|------|------------------|------------------|------------------------|--------------------|---------|
| 1 | 381008021/2 | 1 | Stone-Guard | Parasassi | Pare-Pierres | Prallblech | |
| 2 | 122450420/1 | 1 | L Spring | Molla Sx | Ressort G | Linke Feder | |
| 3 | 122517906/1 | 1 | Pin | Perno | Pivot | Bolzen | |
| 4 | 122450410/1 | 1 | R Spring | Molla Dx | Ressort D | Rechte Feder | |
| 5 | 112000930/0 | 1 | Snap Ring | Anello Elastico | Anneau Ressort | Sprengring | |
| 6 | 122486093/0 | 1 | Grass-Box, Upper | Sacco, Parte Sup | Sac, Partie Superieure | Korb, Oberteil | |
| 7 | 112728445/0 | 2 | Screw | Vite | Vis | Schraube | |
| 8 | 181002195/0 | 1 | Box, Fabric | Sacco, Tela | Sac, Toile | Sack, Tuck | |
| 9 | 122608523/0 | 1 | Stiffening Lower | Rinforzo Inf | Réinforcement Inf | Verstärkung Untere | |



| POS | PART. NO | Q.ty | DESCRIPTION | DESCRIZIONE | DESCRIPTION | BESCHREIBUNG | REMARKS |
|-----|-------------|------|------------------|------------------|------------------------|--------------------|---------|
| 1 | 381008021/2 | 1 | Stone-Guard | Parasassi | Pare-Pierres | Prallblech | |
| 2 | 122450420/1 | 1 | L Spring | Molla Sx | Ressort G | Linke Feder | |
| 3 | 122517906/1 | 1 | Pin | Perno | Pivot | Bolzen | |
| 4 | 122450410/1 | 1 | R Spring | Molla Dx | Ressort D | Rechte Feder | |
| 5 | 112000930/0 | 1 | Snap Ring | Anello Elastico | Anneau Ressort | Sprengring | |
| 6 | 322486101/0 | 1 | Grass-Box, Upper | Sacco, Parte Sup | Sac, Partie Superieure | Korb, Oberteil | |
| 7 | 122608525/0 | 1 | Stiffening Lower | Rinforzo Inf | Réinforcement Inf | Verstärkung Untere | |
| 8 | 181002211/0 | 1 | Box, Fabric | Sacco, Tela | Sac, Toile | Sack, Tuck | |
| 9 | 112728680/0 | 2 | Screw | Vite | Vis | Schraube | |
| 10 | 112523050/0 | 2 | Washer | Rosetta | Rondelle | Scheibe | |



| POS | PART. NO | Q.ty | DESCRIPTION | DESCRIZIONE | DESCRIPTION | BESCHREIBUNG | REMARKS |
|-----|-------------|------|--------------------|---------------------|--------------------------|-------------------|---------|
| 1 | 381008021/2 | 1 | Stone-Guard | Parasassi | Pare-Pierres | Prallblech | |
| 2 | 122450420/1 | 1 | L Spring | Molla Sx | Ressort G | Linke Feder | |
| 3 | 122517906/1 | 1 | Pin | Perno | Pivot | Bolzen | |
| 4 | 122450410/1 | 1 | R Spring | Molla Dx | Ressort D | Rechte Feder | |
| 5 | 112000930/0 | 1 | Snap Ring | Anello Elastico | Anneau Ressort | Sprengring | |
| 6 | 322486101/0 | 1 | Grass-Box, Upper | Sacco, Parte Sup | Sac, Partie Superieure | Korb, Oberteil | |
| 7 | 322486150/1 | 1 | Grass-Box, R Lower | Sacco, Parte Inf Dx | Sac, Partie Inferieure D | Korb, R Unterteil | |
| 8 | 322486151/1 | 1 | Grass-Box, L Lower | Sacco, Parte Inf Sx | Sac, Partie Inferieure G | Korb, L Unterteil | |