

ILLUSTRATED PARTS LIST

CA 484
CAL 484



- Use GLOBAL GARDEN PRODUCT Genuine Spare Parts specified in the parts list for repair and/or replacement.
- The contents described in the parts list may change due to improvement.
- The drawings of the spare parts are only indicative and might not represent the part in question exactly.
- The indications "right" - "left" - "front" - "rear" refer to the position of the operator when using the machine.
- When placing orders of parts for repair and/or replacement, make sure that the illustrated parts list is the one applying to the machine's year of manufacture, as shown on the identification plate attached to the machine.

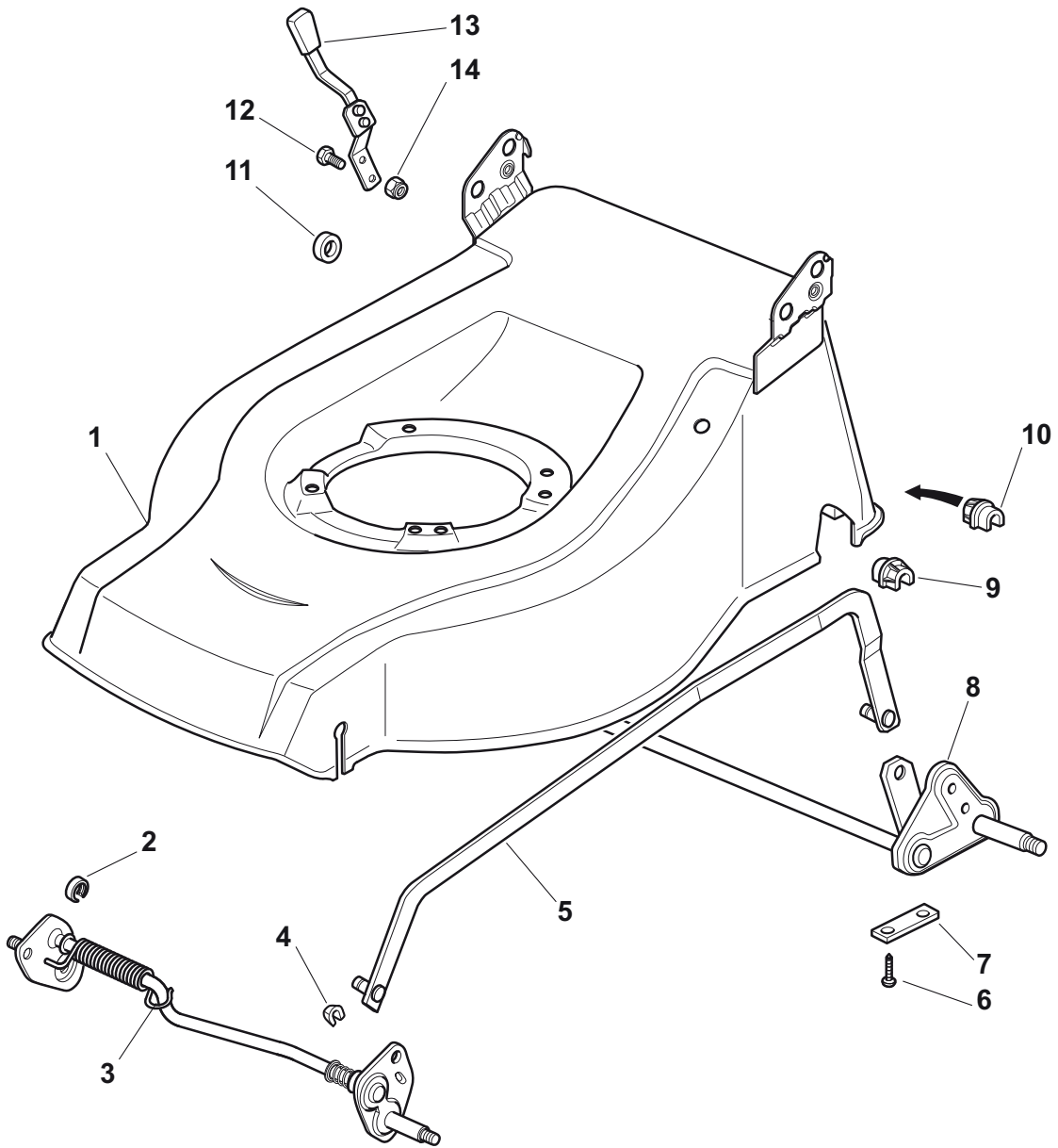
© Copyright 2013 Global Garden Products

All content is subject to copyright by Global Garden Products and may not be reproduced in whole or in part by any means, electronic or otherwise, without prior written approval.

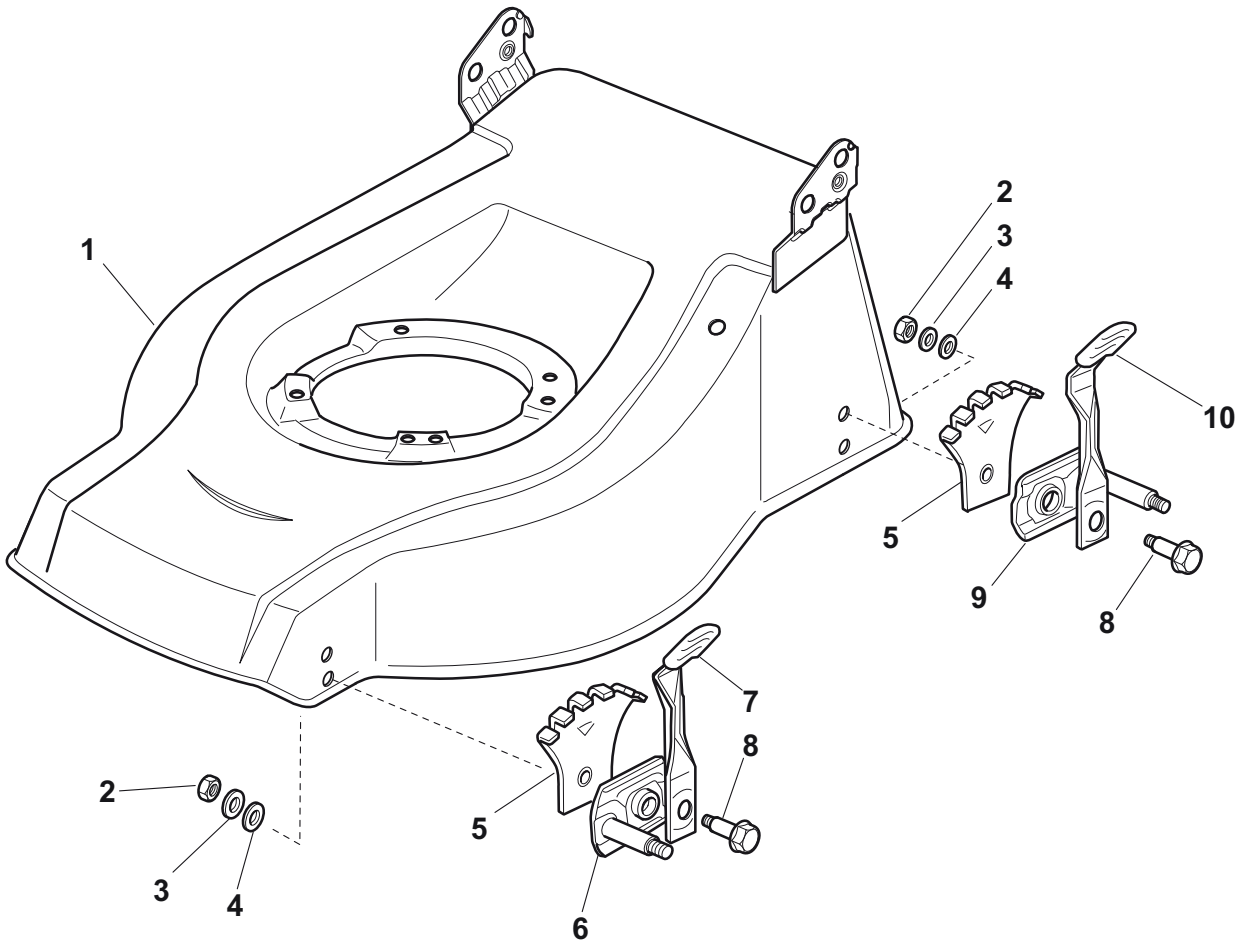
THIS INFORMATION IS NOT INTENDED FOR SALE OR RESALE, AND THIS NOTICE MUST REMAIN ON ALL COPIES.



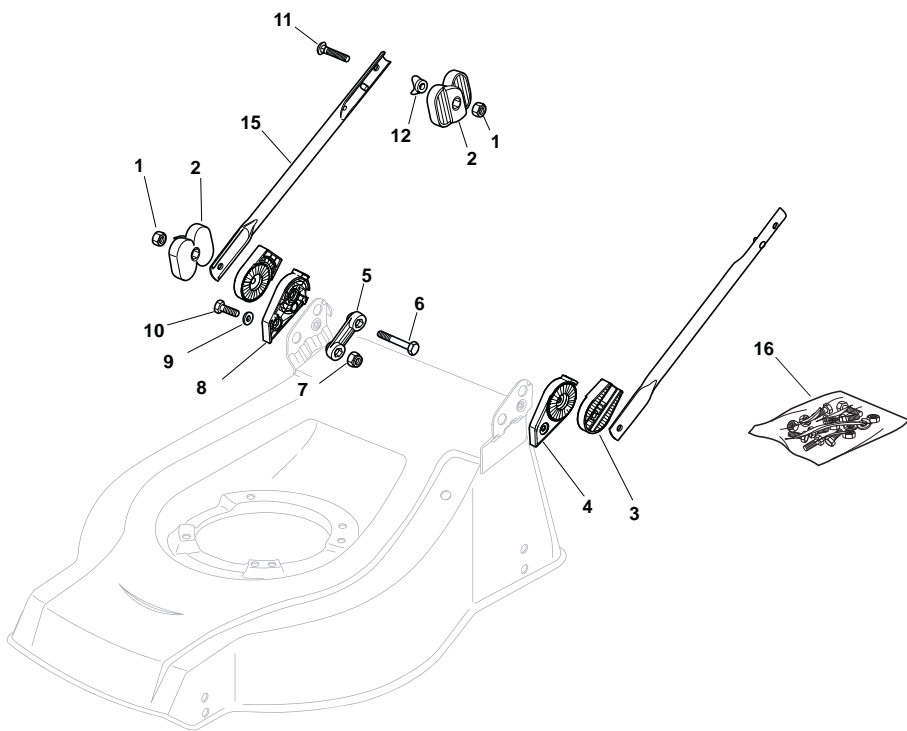
GLOBAL GARDEN PRODUCTS



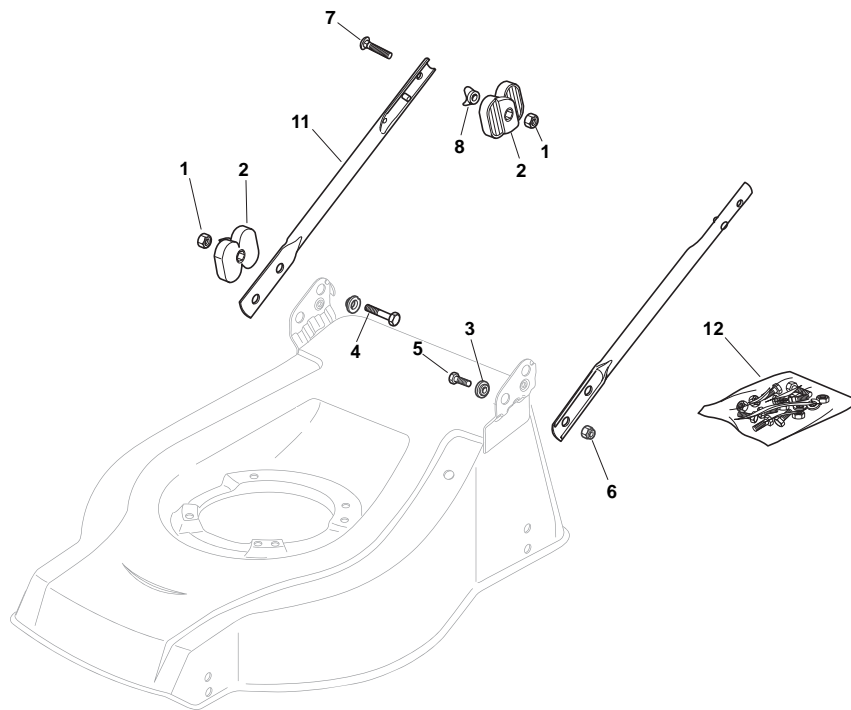
POS	PART. NO	Q.ty	DESCRIPTION	DESCRIZIONE	DESCRIPTION	BESCHREIBUNG	REMARKS
1	381001815/1	1	Deck Red	Chassis Rosso	Châssis Rouge	Gehäuse Rot	
2	122171002/0	1	Spacer	Distanziale	Entretoise	Distanzring	
3	381000141/1	1	Axle, Front Wheels	Asse Ruote Anteriori	Axe Roues Avant	Achse, Vorderrad	
4	112436051/0	2	Plate	Piastrina	Plaquette	Plättchen	
5	381002020/0	1	Rod, Height Adjustment	Asta Comando Regol. Altezza	Tige Commande Reglage Hauteur	Stange, Höheverstellung	
6	112731350/0	4	Screw	Vite	Vis	Schraube	
7	322545142/0	2	Plate	Piastrina	Plaquette	Plättchen	
8	381001278/0	1	Axle, Rear Wheels	Asse Ruote Posteriore	Axe Roues Arriere	Achse, Hinterrad	
9	122038403/0	1	L Bush	Bronzina Sx	Douille G	Linke Buchse	
10	122038402/0	1	R Bush	Bronzina Dx	Douille D	Rechte Buchse	
11	122170800/0	1	Spacer	Distanziale	Entretoise	Distanzring	
12	112789000/0	2	Screw	Vite	Vis	Schraube	
13	381003283/1	1	Lever, Height Adjustment	Leva Regolazione Altezza	Levier Reglage Hauteur	Hebel, Höneverstellung	
14	112154320/0	2	Nut	Dado	Ecrou	Mutter	



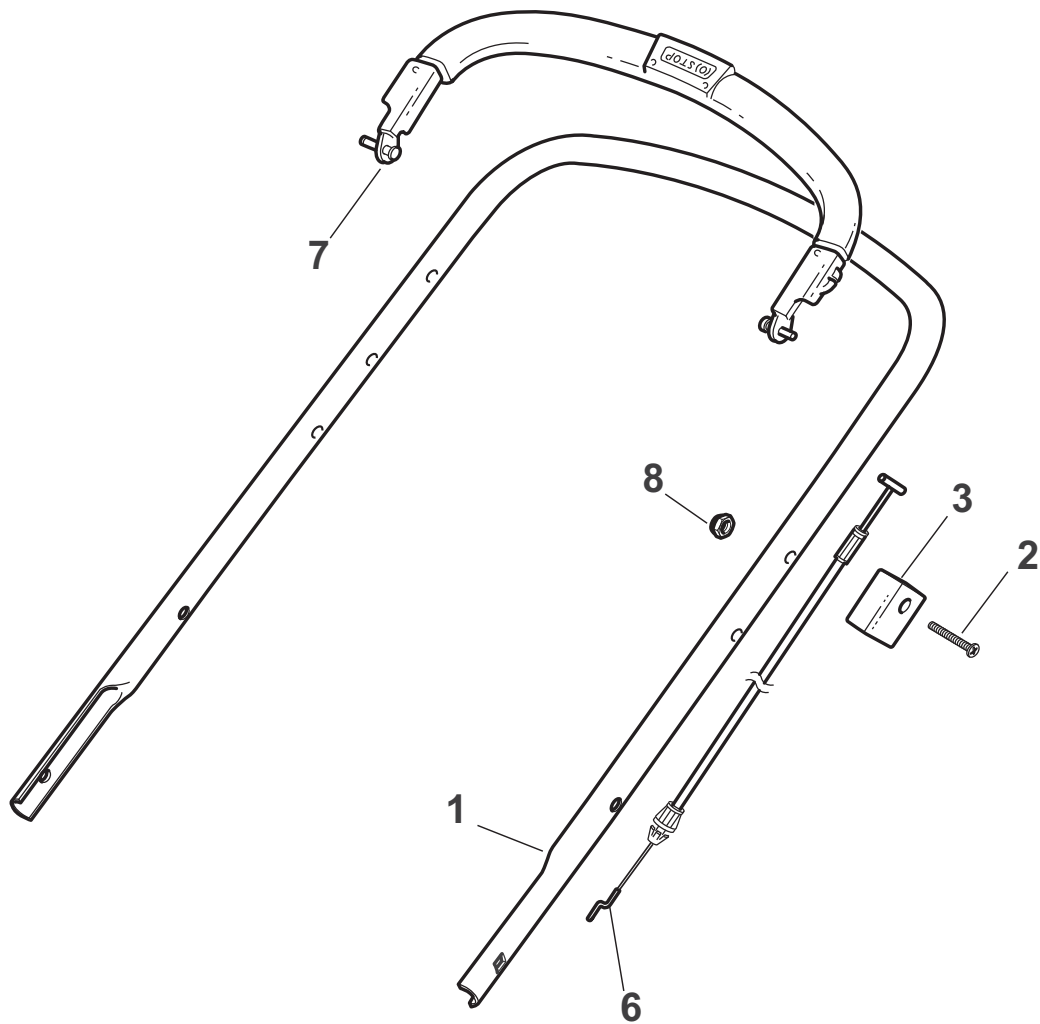
POS	PART. NO	Q.ty	DESCRIPTION	DESCRIZIONE	DESCRIPTION	BESCHREIBUNG	REMARKS
1	381001800/1	1	Deck Red	Chassis Rosso	Châssis Rouge	Gehäuse Rot	
2	112293200/0	4	Nut	Dado	Ecrou	Mutter	
3	112583500/0	4	Grower	Grower	Grower	Federring	
4	112523070/0	4	Washer	Rosetta	Rondelle	Scheibe	
5	322735547/0	4	Sector, Height Adjustment	Settore Regolazione Altezza	Secteur Reglage Hauteur	Sektor, Höheverstellung	
6	381005082/0	2	Support, Wheel	Supporto Ruota	Support Roue	Halter, Rad	
7	481003285/1	2	Lever, Height Adjustment	Leva Regolazione Altezza	Levier Reglage Hauteur	Hebel, Höneverstellung	
8	122519811/0	4	Pin	Perno	Pivot	Bolzen	
9	381005084/0	2	Support, Wheel	Supporto Ruota	Support Roue	Halter, Rad	
10	481003286/0	2	Lever, Height Adjustment	Leva Regolazione Altezza	Levier Reglage Hauteur	Hebel, Höneverstellung	



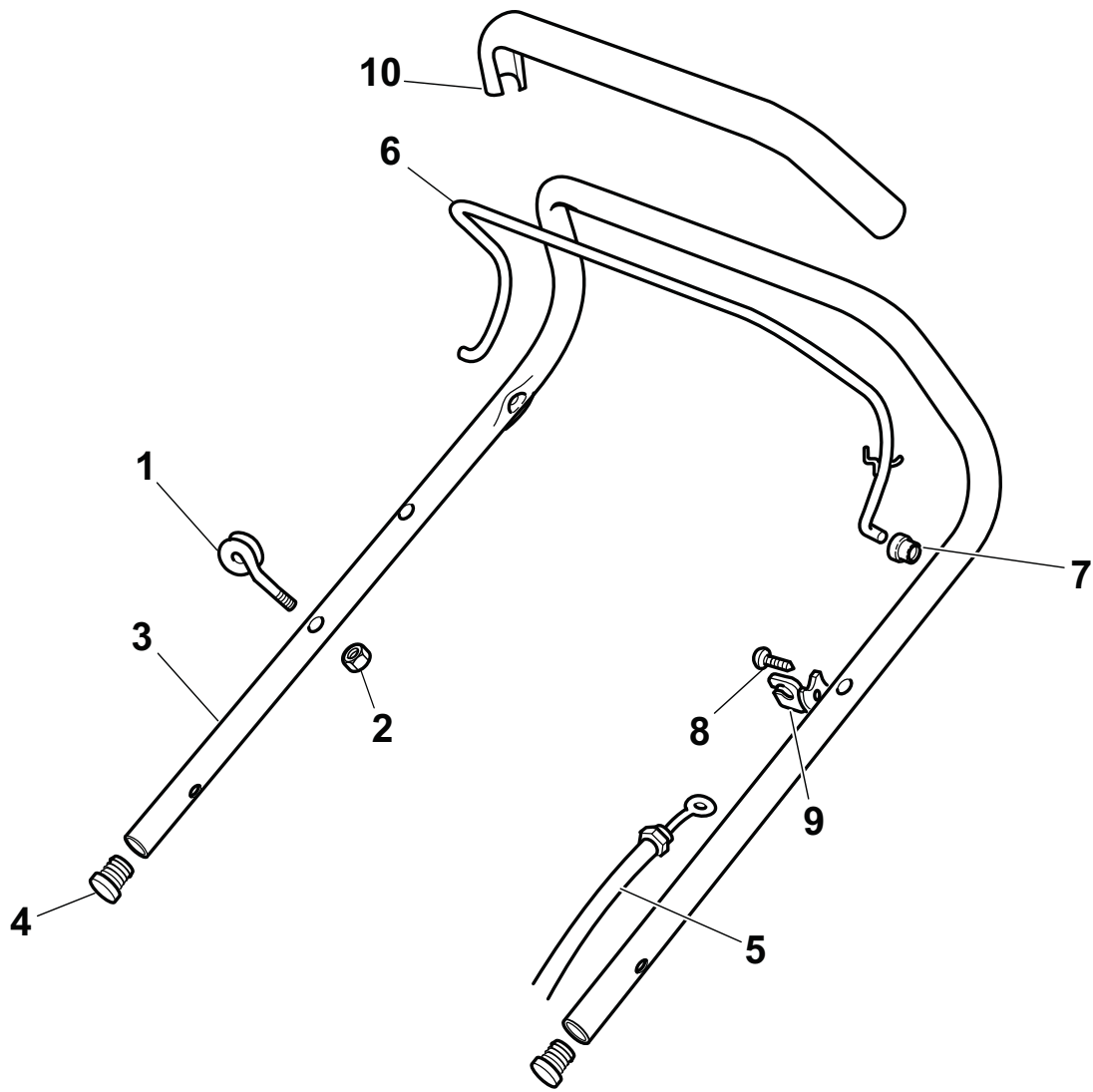
POS	PART. NO	Q.ty	DESCRIPTION	DESCRIZIONE	DESCRIPTION	BESCHREIBUNG	REMARKS
1	112293202/0	4	Nut	Dado	Ecrou	Mutter	
2	122399803/0	4	Knob	Manopolina	Poignée	Griff	
3	322785081/1	2	Support, External	Supporto Esterno	Support Externe	Halter, Außere	
4	122785083/1	1	Support, L Internal	Supporto Interno	Support Interne D	Halter, Innere R	
5	122551575/0	2	Plate, Inside	Piastrina Interna	Plaquette Interne	Platte, Innere	
6	112691810/0	2	Screw	Vite	Vis	Schraube	
7	112155000/0	2	Nut	Dado	Ecrou	Mutter	
8	122785082/0	1	Support, R Internal	Supporto Interno	Support Interne D	Halter, Innere R	
9	112521350/0	2	Washer	Rosetta	Rondelle	Scheibe	
10	112793301/0	2	Screw	Vite	Vis	Schraube	
11	112819125/0	2	Screw	Vite	Vis	Schraube	
12	122680006/1	2	Washer	Rosetta	Rondelle	Scheibe	
15	381006531/0	2	Handle, Lower Part	Parte Inf Maniglia	Poignée, Partie Inferieure	Griff, Unterteil	
16	381008633/0	1	Outfit, Screws	Dotazione Viteria	Dotation Visserie	Satz, Schrauben	



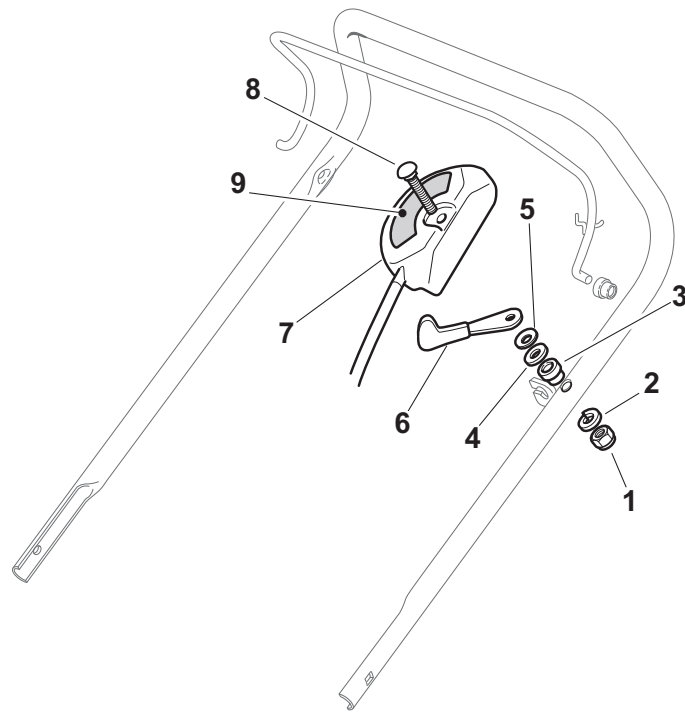
POS	PART. NO	Q.ty	DESCRIPTION	DESCRIZIONE	DESCRIPTION	BESCHREIBUNG	REMARKS
1	112293202/0	4	Nut	Dado	Ecrou	Mutter	
2	122399803/0	4	Knob	Manopolina	Poignée	Griff	
3	322041955/0	4	Bush	Bussola	Douille	Büchse	
4	112793700/0	2	Screw	Vite	Vis	Schraube	
5	112792610/0	2	Screw	Vite	Vis	Schraube	
6	112155000/0	2	Nut	Dado	Ecrou	Mutter	
7	112819125/0	2	Screw	Vite	Vis	Schraube	
8	122680006/1	2	Washer	Rosetta	Rondelle	Scheibe	
11	381006973/0	2	Handle, Lower Part	Parte Inf Maniglia	Poignée, Partie Inferieure	Griff, Unterteil	
12	381008633/0	1	Outfit, Screws	Dotazione Viteria	Dotation Visserie	Satz, Schrauben	



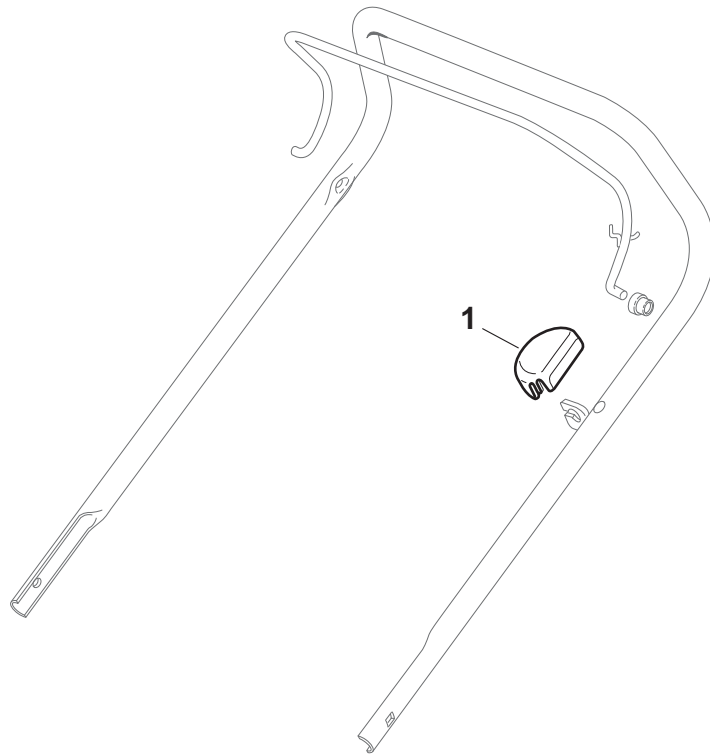
POS	PART. NO	Q.ty	DESCRIPTION	DESCRIZIONE	DESCRIPTION	BESCHREIBUNG	REMARKS
1	122430309/0	1	Spring	Molla	Ressort	Feder	
2	112154330/0	1	Nut	Dado	Ecrou	Mutter	
3	381006977/1	1	Handle, Upper Part	Manico, Parte Sup	Mancheron, Partie Superieure	Holm, Oberteil	
4	118566112/0	2	Cap	Puntale	Bouchon	Gummistopfen	
5	181000625/0	1	Cable, Thread Engine Brake	Cavo Freno Motore	Cable Frein Moteur	Kabel, Motorbremse	B&S 450-500
5	181000631/0	1	Cable, Thread Engine Brake	Cavo Freno Motore	Cable Frein Moteur	Kabel, Motorbremse	BS675Es
5	181000641/0	1	Cable, Thread Engine Brake	Cavo Freno Motore	Cable Frein Moteur	Kabel, Motorbremse	Honda
5	181000642/1	1	Cable, Thread Engine Brake	Cavo Freno Motore	Cable Frein Moteur	Kabel, Motorbremse	B&S 625-675
5	181000757/0	1	Cable, Thread Engine Brake	Cavo Freno Motore	Cable Frein Moteur	Kabel, Motorbremse	GGP
6	181003291/2	1	Lever, Engine Brake	Leva Freno Motore	Levier Frein Moteur	Hebel, Motorbremse	
6	181003291/3	1	Lever, Engine Brake	Leva Freno Motore	Levier Frein Moteur	Hebel, Motorbremse	
7	122041966/0	2	Bush	Bussola	Douille	Büchse	
8	112728518/0	1	Screw	Vite	Vis	Schraube	
9	322806612/0	1	Support	Supporto	Support	Halter	
10	122291050/0	1	Handgrip Black	Impugnatura Manico Nera	Poignée Noir	Handgriff Schwarz	



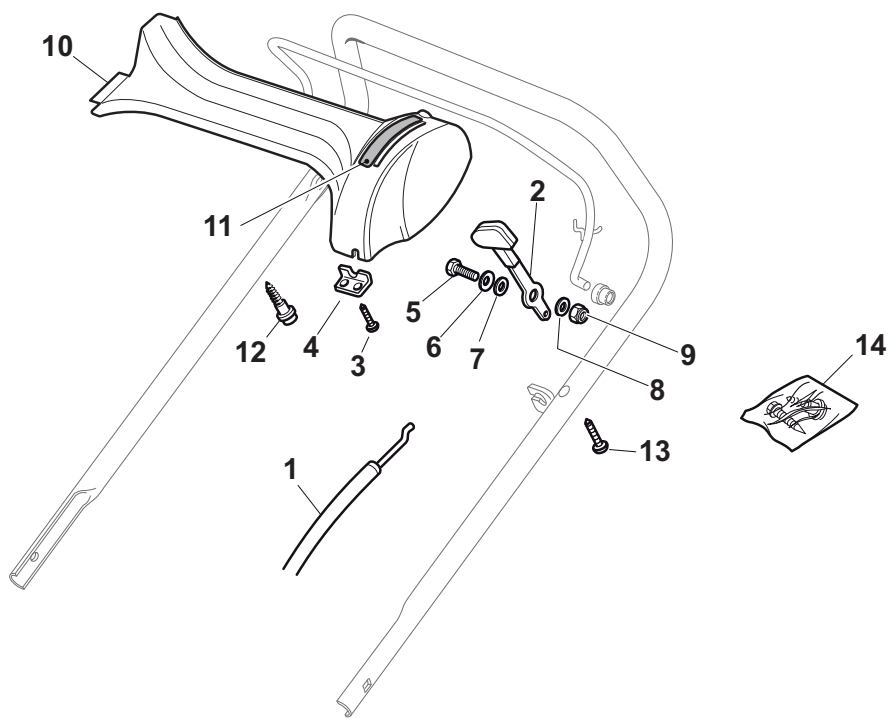
POS	PART. NO	Q.ty	DESCRIPTION	DESCRIZIONE	DESCRIPTION	BESCHREIBUNG	REMARKS
1	381006979/2	1	Handle, Upper Part	Manico, Parte Sup	Mancheron, Partie Superieure	Holm, Oberteil	
2	112689500/0	1	Screw	Vite	Vis	Schraube	
3	322551640/0	1	Plate	Piastrina	Plaquette	Plättchen	
6	181000754/0	1	Cable, Thread Engine Brake	Cavo Freno Motore	Cable Frein Moteur	Kabel, Motorbremse	GGP-Honda
6	181030010/0	1	Cable, Thread Engine Brake	Cavo Freno Motore	Cable Frein Moteur	Kabel, Motorbremse	GGP 196cc
6	181030010/0	1	Cable, Thread Engine Brake	Cavo Freno Motore	Cable Frein Moteur	Kabel, Motorbremse	B&S 450-500
6	381000743/0	1	Cable, Thread Eng. Brake	Cavo Freno Motore	Cable Frein Moteur	Kabel, Motorbremse	Sumec
7	381003298/1	1	Lever, Engine Brake	Leva Freno Motore	Levier Frein Moteur	Hebel, Motorbremse	
8	112154510/0	1	Nut	Dado	Ecrou	Mutter	



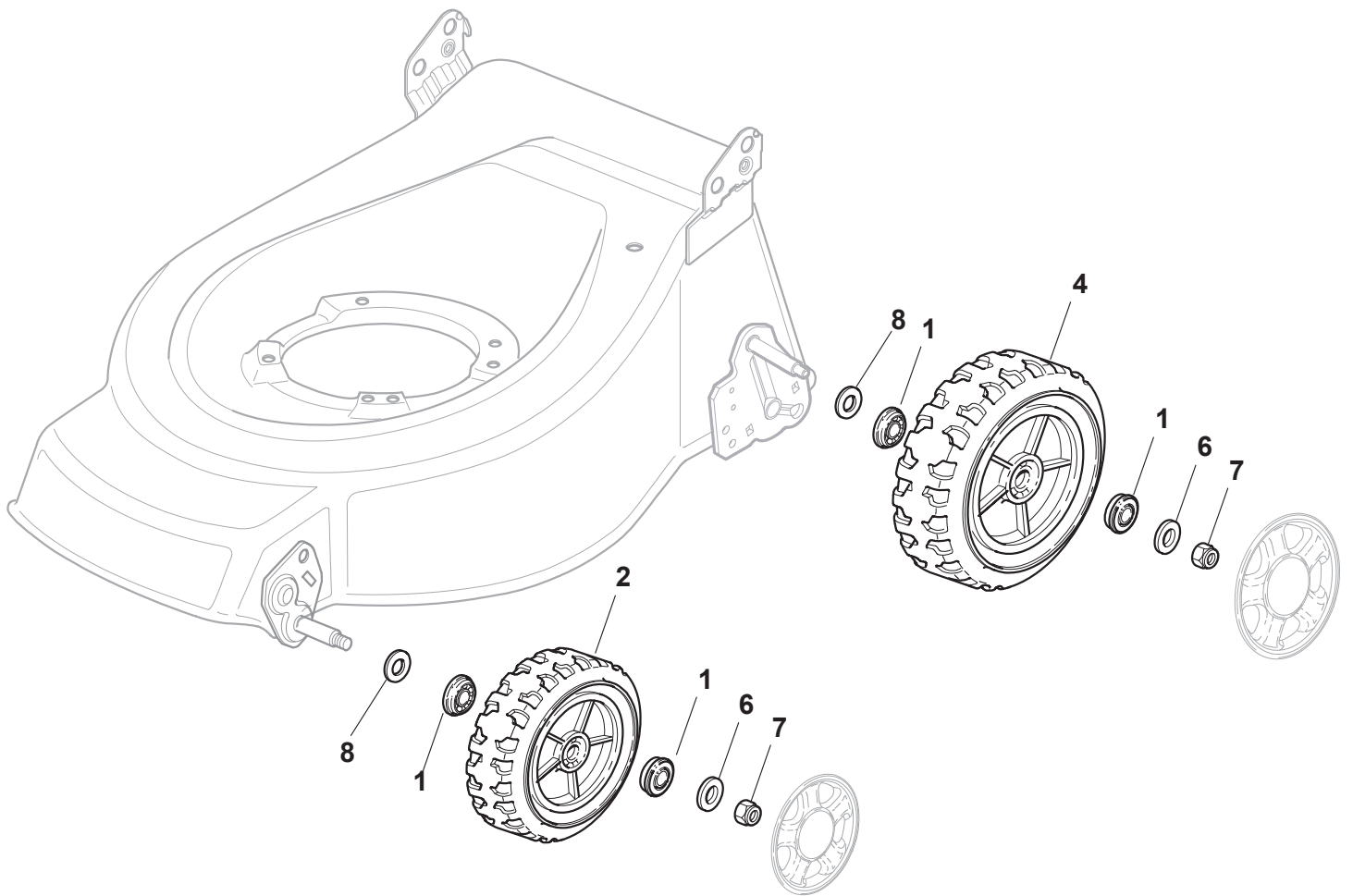
POS	PART. NO	Q.ty	DESCRIPTION	DESCRIZIONE	DESCRIPTION	BESCHREIBUNG	REMARKS
1	12291000/0	1	Nut	Dado	Ecrou	Mutter	
2	12581500/0	1	Grower	Grower	Grower	Federring	
3	22171005/0	1	Spacer	Distanziale	Entretoise	Distanzring	
4	12521360/0	1	Washer	Rosetta	Rondelle	Scheibe	
5	12508100/0	1	Spring Washer	Rosetta Elastica	Rondelle Elastique	Elastische Scheibe	
6	81007279/1	1	Lever, Throttle	Leva, Acceleratore	Levier, Accelérateur	Hebel, Beschleuniger	B&S-GGP-Honda
6	81007220/0	1	Lever, Throttle	Leva, Acceleratore	Levier, Accelérateur	Hebel, Beschleuniger	B&S450-500/GGP150cc
7	81007080/0	1	Throttle Cable	Cavo Acceleratore	Cable, Accelérateur	Gashebel Kabel	
8	12815000/0	1	Screw	Vite	Vis	Schraube	
9	14356703/0	1	Label	Etichetta	Etiquette	Etikette	B&S
9	114356905/0	1	Label	Etichetta	Etiquette	Etikette	B&S DOV
9	14356702/0	1	Label	Etichetta	Etiquette	Etikette	GGP
9	114364264/0	1	Label	Etichetta	Etiquette	Etikette	GGP AVS
9	14356702/0	1	Label	Etichetta	Etiquette	Etikette	Honda
9	114356905/0	1	Label	Etichetta	Etiquette	Etikette	Honda AC



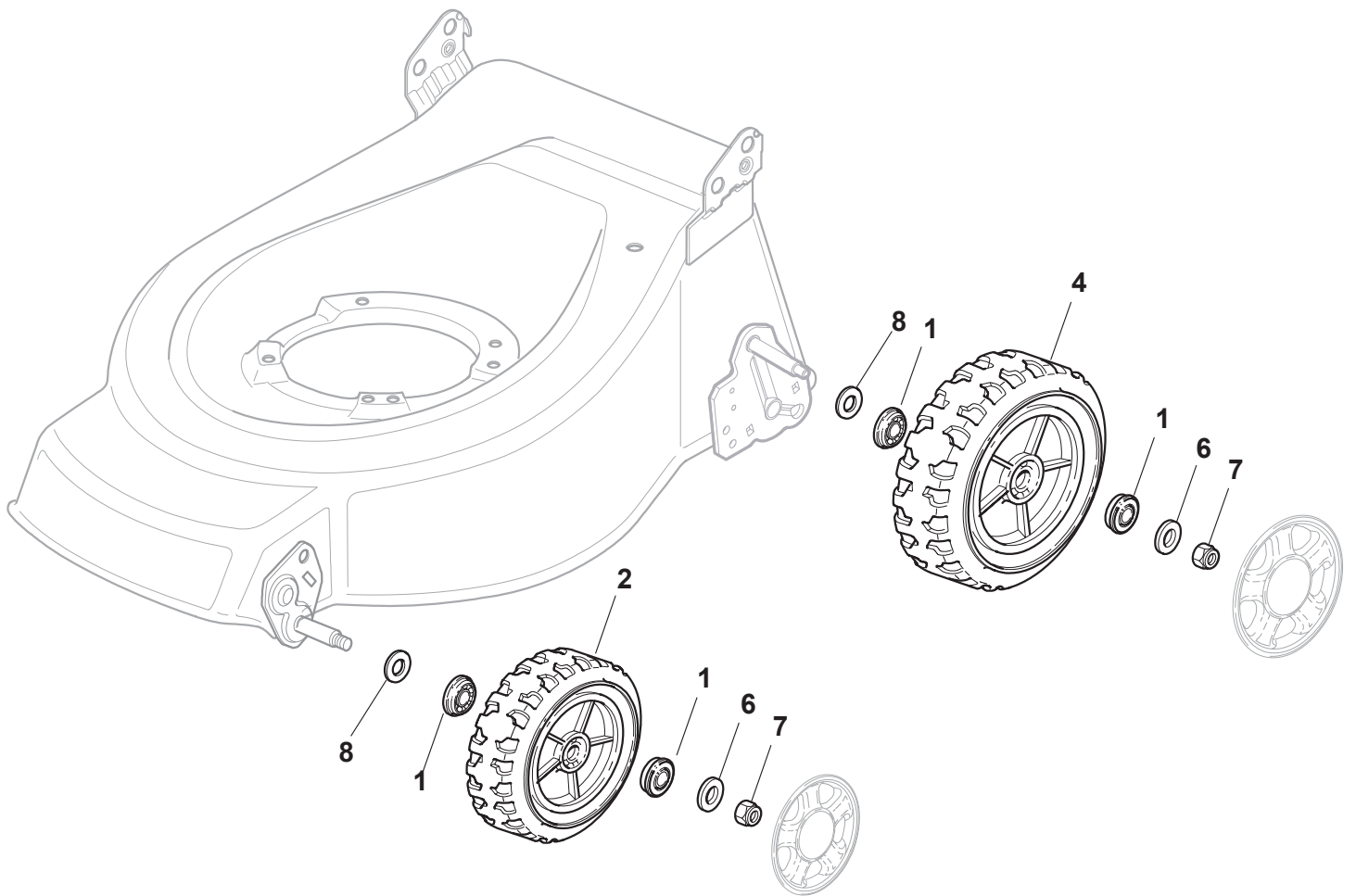
POS	PART. NO	Q.ty	DESCRIPTION	DESCRIZIONE	DESCRIPTION	BESCHREIBUNG	REMARKS
1	22601000/0	1	Protection	Protezione	Protection	Schutz	



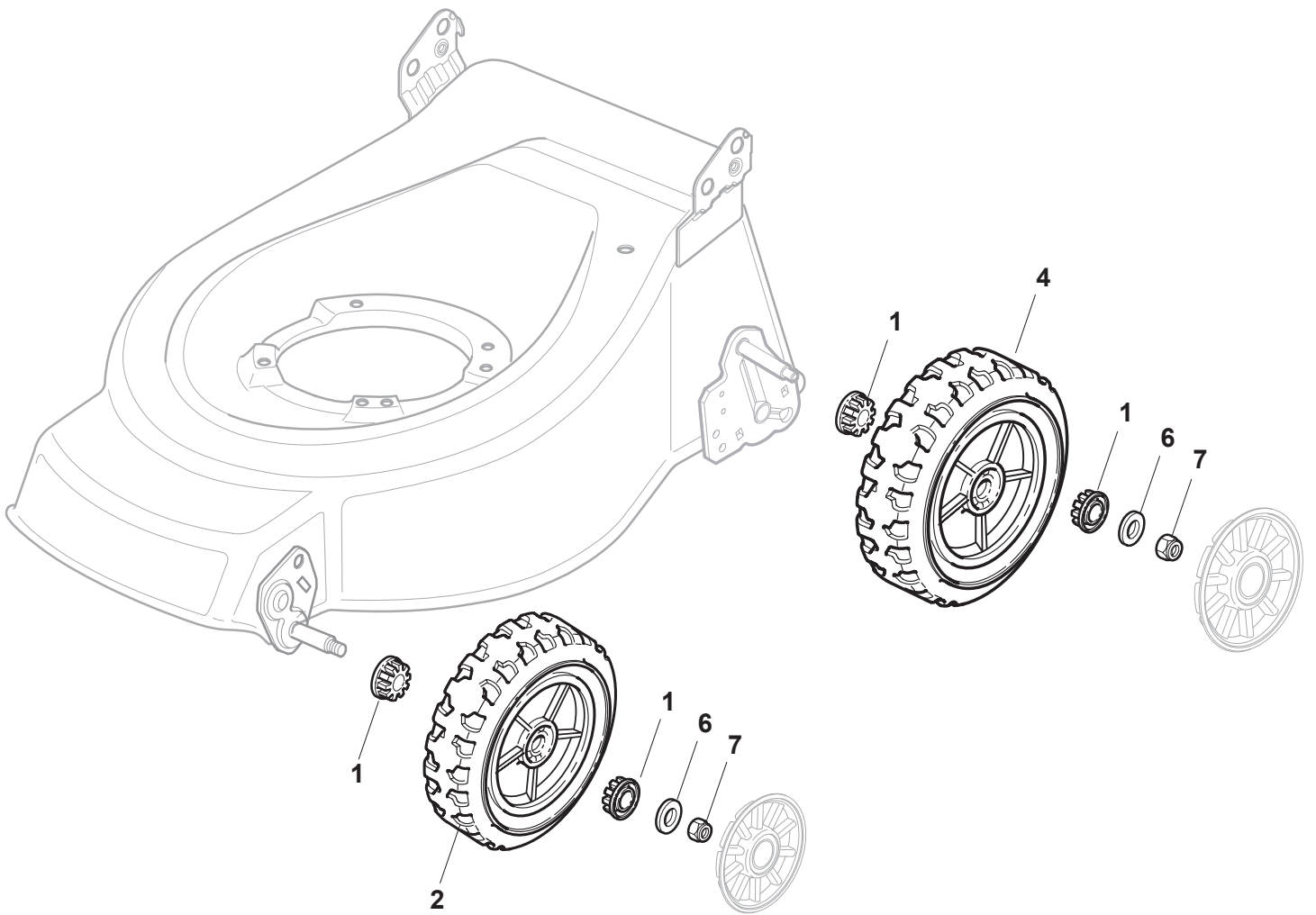
POS	PART. NO	Q.ty	DESCRIPTION	DESCRIZIONE	DESCRIPTION	BESCHREIBUNG	REMARKS
1	81007160/0	1	Throttle Cable	Cavo Acceleratore	Cable, Accelérateur	Gashebel Kabel	
2	81007280/2	1	Lever, Throttle	Leva, Acceleratore	Levier	Hebel, Beshleuniger	B&S-GGP-Honda
2	81007221/0	1	Lever, Throttle	Leva, Acceleratore	Levier	Hebel, Beshleuniger	B&S450-500/GGP150cc
3	12735105/0	2	Screw	Vite	Vis	Schraube	
4	22981467/0	1	Plate	Piastrina	Plaquette	Platte	
5	12791500/0	1	Screw	Vite	Vis	Schraube	
6	12530060/0	1	Elastic Washer	Rosetta Elastica	Rondelle Elastique	Elastische Scheibe	
7	12523040/0	1	Washer	Rosetta	Rondelle	Scheibe	
8	12523040/0	1	Washer	Rosetta	Rondelle	Scheibe	
9	12154510/0	1	Nut	Dado	Ecrou	Mutter	
10	22120172/0	1	Dash Board Black	Cruscotto Nero	Console Noire	Konsole Schwarze	
10	22120173/0	1	Dash Board Red	Cruscotto Rosso	Console Rouge	Konsole Rote	
10	22120174/0	1	Dash Board Yellow	Cruscotto Giallo	Console Jaune	Konsole Gelbe	
11	114356744/1	1	Label	Etichetta	Etiquette	Etikette	B&S
11	114356906/1	1	Label	Etichetta	Etiquette	Etikette	B&S 700
11	114356743/1	1	Label	Etichetta	Etiquette	Etikette	GGP
11	114356743/1	1	Label	Etichetta	Etiquette	Etikette	Honda
11	114357646/1	1	Label	Etichetta	Etiquette	Etikette	Honda AC
12	22943006/0	1	Screw	Vite	Vis	Schraube	
13	12728460/0	1	Screw	Vite	Vis	Schraube	
14	81008609/0	1	Outfit, Dash-Board Screws	Dotazione Viteria Cruscotto	Dotation Visserie Consolle	Satz, Konsole Schrauben	



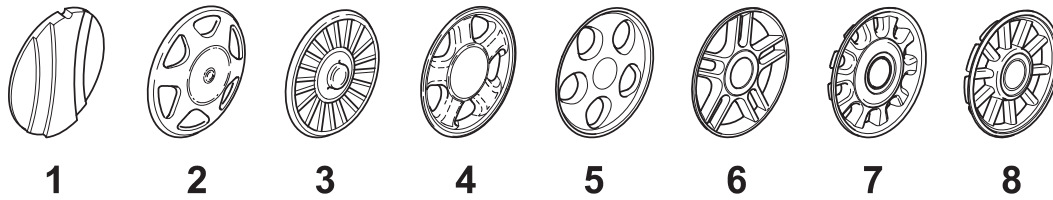
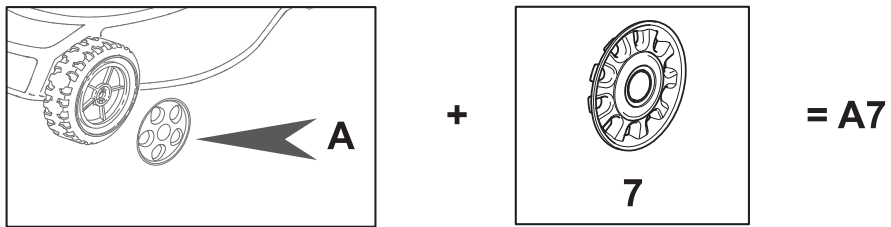
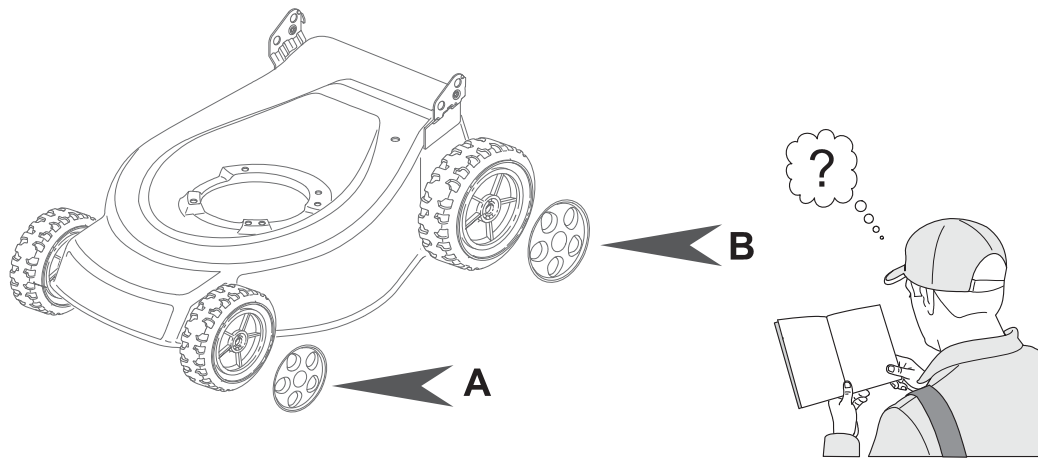
POS	PART. NO	Q.ty	DESCRIPTION	DESCRIZIONE	DESCRIPTION	BESCHREIBUNG	REMARKS
1	122122200/0	8	Bearing	Cuscinetto	Coussinet	Lager	
2	381007351/0	2	Wheel Ø 170	Ruota Ø 170	Roue Ø 170	Rad Ø 170	
4	181007343/0	2	Wheel Ø 210	Ruota Stiga Ø 210	Roue Ø 210	Rad Ø 210	
6	112523060/0	4	Washer	Rosetta	Rondelle	Scheibe	
7	112155000/0	4	Nut	Dado	Ecrou	Mutter	
8	112530150/0	4	Elastic Washer	Disco Elastico	Disque Elastique	Federscheibe	



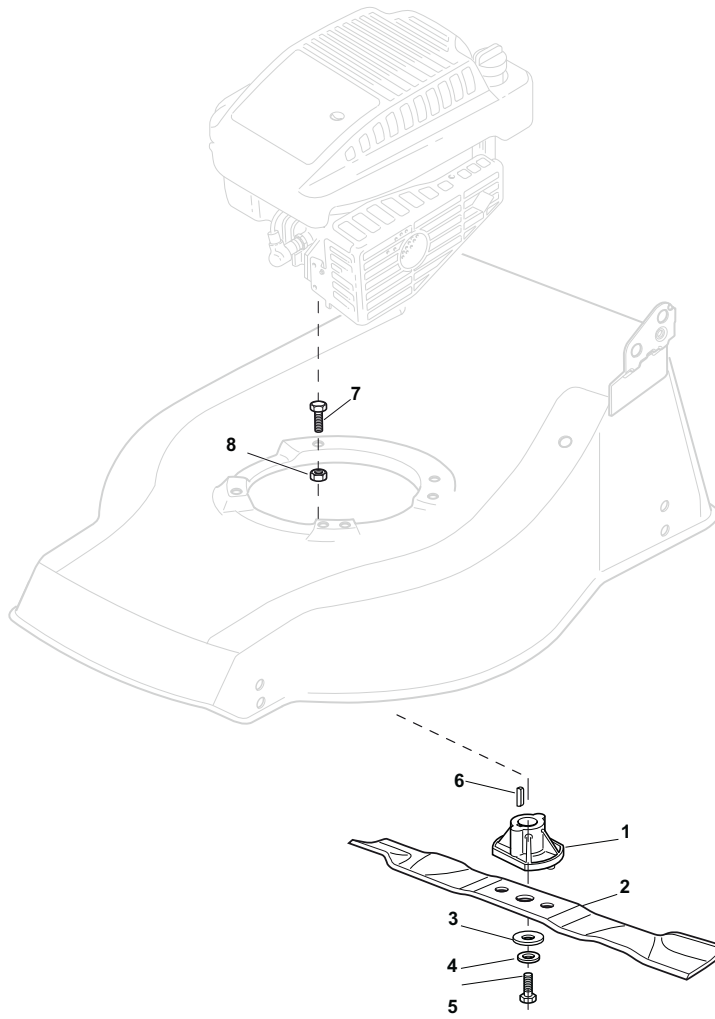
POS	PART. NO	Q.ty	DESCRIPTION	DESCRIZIONE	DESCRIPTION	BESCHREIBUNG	REMARKS
1	122122200/0	8	Bearing	Cuscinetto	Coussinet	Lager	
2	381007420/1	2	Wheel Ø 170	Ruota Ø 170	Roue Ø 170	Rad Ø 170	
4	381007390/1	2	Wheel Ø 210	Ruota Rigata Ø 210	Roue Ø 210	Rad. Ø 210	
6	112523060/0	4	Washer	Rosetta	Rondelle	Scheibe	
7	112155000/0	4	Nut	Dado	Ecrou	Mutter	
8	112530150/0	4	Elastic Washer	Disco Elastico	Disque Elastique	Federscheibe	



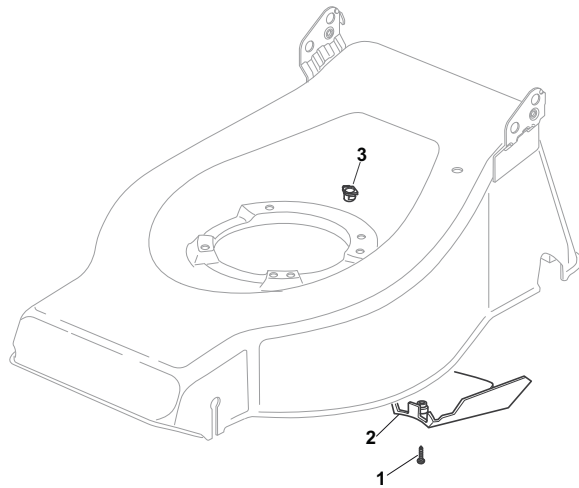
POS	PART. NO	Q.ty	DESCRIPTION	DESCRIZIONE	DESCRIPTION	BESCHREIBUNG	REMARKS
1	122034508/0	8	Bush	Bussola	Douille	Büchse	
2	381007351/0	2	Wheel Ø 170	Ruota Ø 170	Roue Ø 170	Rad Ø 170	
4	181007343/0	2	Wheel Ø 210	Ruota Stiga Ø 210	Roue Ø 210	Rad Ø 210	
6	112523060/0	4	Washer	Rosetta	Rondelle	Scheibe	
7	112155000/0	4	Nut	Dado	Ecrou	Mutter	



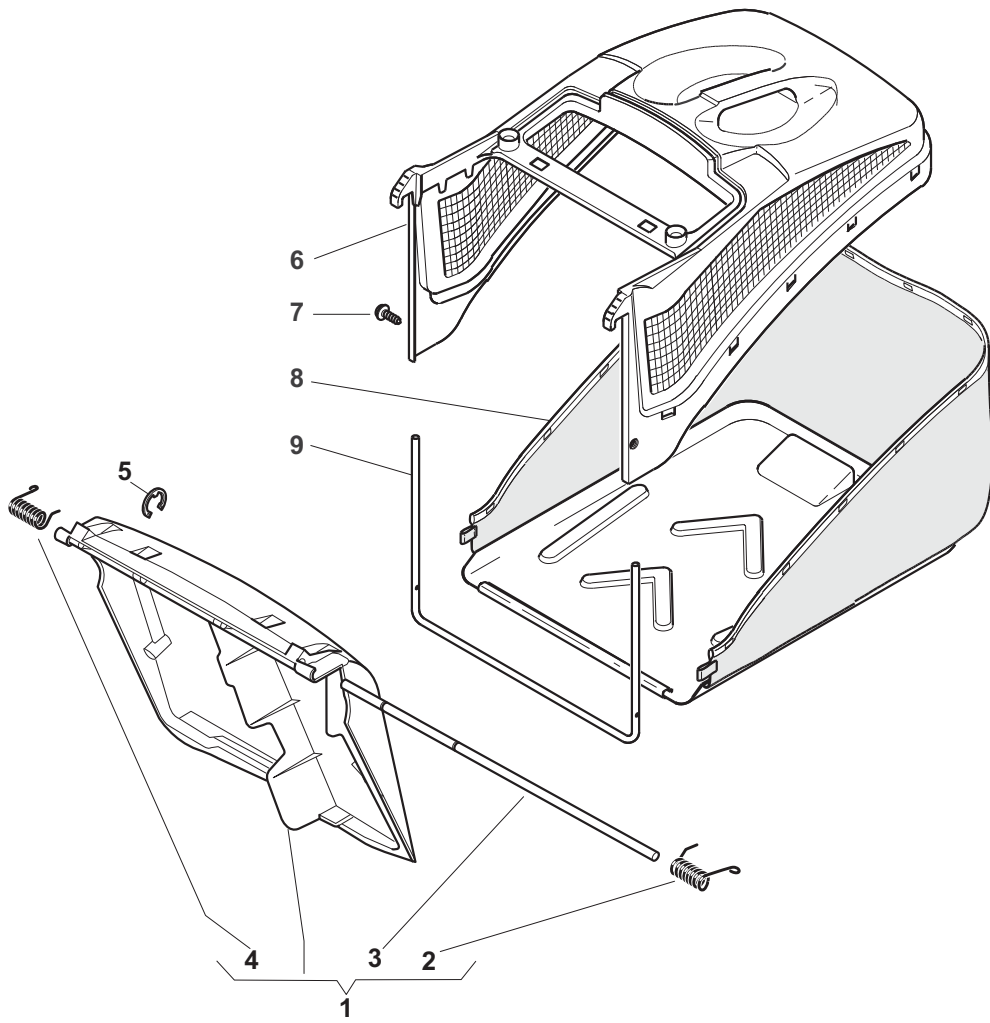
POS	PART. NO	Q.ty	DESCRIPTION	DESCRIZIONE	DESCRIPTION	BESCHREIBUNG	REMARKS
A1	22110252/1	2	Hub Cap White	Coprimito Bianco	Couvre-Moyeu Blanc	Radkappe Weiß	
A1	22110254/1	2	Hub Cap Yellow	Coprimito Giallo	Couvre-Moyeu Jaune	Radkappe Gelb	
A1	22110255/1	2	Hub Cap Red	Coprimito Rosso	Couvre-Moyeu Rouge	Radkappe Rot	
A2	22110344/0	2	Hub Cap White	Coprimito Bianco	Couvre-Moyeu Blanc	Radkappe Weiß	
A2	22110395/0	2	Hub Cap Grey	Coprimito Grigio	Couvre-Moyeu Gris	Radkappe Grau	
A3	22110347/0	2	Hub Cap Grey	Coprimito Grigio	Couvre-Moyeu Gris	Radkappe Grau	
A4	22110381/0	2	Hub Cap Grey	Coprimito Grigio	Couvre-Moyeu Gris	Radkappe Grau	
A5	22110416/0	2	Hub Cap Grey	Coprimito Grigio	Couvre-Moyeu Gris	Radkappe Grau	
A6	22110491/0	2	Hub Cap Grey	Coprimito Grigio	Couvre-Moyeu Gris	Radkappe Grau	
A7	22110493/0	2	Hub Cap Grey	Coprimito Grigio	Couvre-Moyeu Gris	Radkappe Grau	
A8	22110495/0	2	Hub Cap Grey	Coprimito Grigio	Couvre-Moyeu Gris	Radkappe Grau	
B1	22110251/0	2	Hub Cap White	Coprimito Bianco	Couvre-Moyeu Blanc	Radkappe Weiß	
B1	22110253/0	2	Hub Cap Yellow	Coprimito Giallo	Couvre-Moyeu Jaune	Radkappe Gelb	
B1	22110256/0	2	Hub Cap Grey	Coprimito Grigio	Couvre-Moyeu Gris	Radkappe Grau	
B2	22110313/0	2	Hub Cap White	Coprimito Bianco	Couvre-Moyeu Blanc	Radkappe Weiß	
B2	22110314/0	2	Hub Cap Grey	Coprimito Grigio	Couvre-Moyeu Gris	Radkappe Grau	
B3	22110348/0	2	Hub Cap Grey	Coprimito Grigio	Couvre-Moyeu Gris	Radkappe Grau	
B4	22110382/0	2	Hub Cap Grey	Coprimito Grigio	Couvre-Moyeu Gris	Radkappe Grau	
B5	22110417/0	2	Hub Cap Grey	Coprimito Grigio	Couvre-Moyeu Gris	Radkappe Grau	
B6	22110492/0	2	Hub Cap Grey	Coprimito Grigio	Couvre-Moyeu Gris	Radkappe Grau	
B7	22110494/0	2	Hub Cap Grey	Coprimito Grigio	Couvre-Moyeu Gris	Radkappe Grau	
B8	22110496/0	2	Hub Cap Grey	Coprimito Grigio	Couvre-Moyeu Gris	Radkappe Grau	



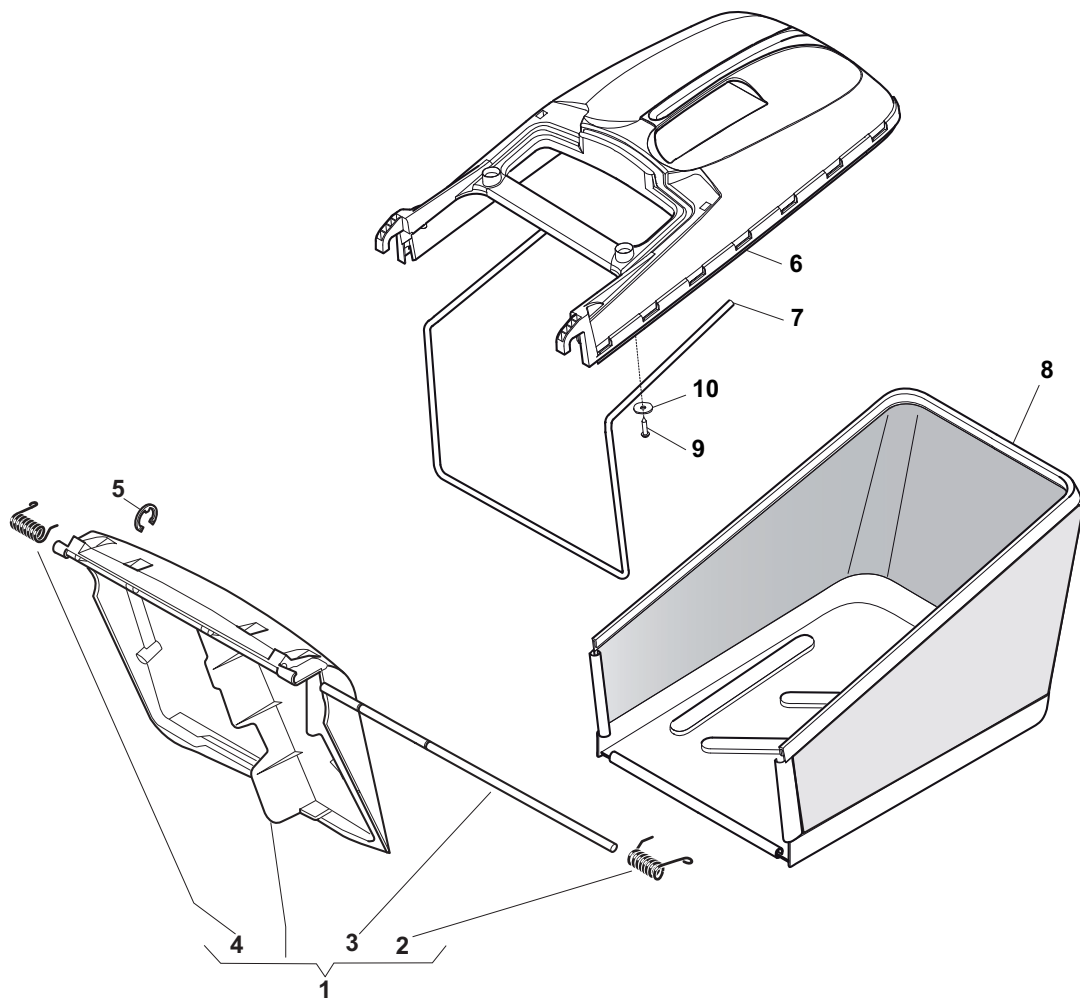
POS	PART. NO	Q.ty	DESCRIPTION	DESCRIZIONE	DESCRIPTION	BESCHREIBUNG	REMARKS
1	122463012/2	1	Hub, Crankshaft Ø 22.2	Mozzo, Albero Motore Ø 22.2	Moyeu, Arbre Moteur Ø 22.2	Nabe, Motorwelle Ø 22.2	B&S - GGP
1	122463020/1	1	Hub, Crankshaft Ø 25	Mozzo, Albero Motore Ø 25	Moyeu, Arbre Moteur Ø 25	Nabe, Motorwelle Ø 25	Honda
2	181004346/3	1	Blade Standard	Coltello Standard	Lame Standard	Messer Standard	
2	181004397/0	1	Blade Winged	Coltello Alettato	Lame Ailette	Messer Flügel	
3	122160400/0	1	Elastic Washer	Disco Elastico	Disque Elastique	Federscheibe	
4	112523080/0	1	Washer	Rosetta	Rondelle	Scheibe	
5	112735698/0	1	Screw	Vite	Vis	Schraube	
6	112139100/0	1	Feather, Crankshaft Ø 22.2	Linguetta, Albero Motore Ø 22.2	Clavette, Arbre Moteur Ø 22.2	Keil, Motorwelle Ø 22.2	B&S - GGP
6	112139150/0	1	Feather, Crankshaft Ø 25	Linguetta, Albero Motore Ø 25	Clavette, Arbre Moteur Ø 25	Keil, Motorwelle Ø 25	Honda
7	112691100/0	1	Screw	Vite	Vis	Schraube	B&S 450-500
7	112793701/0	2	Screw	Vite	Vis	Schraube	B&S 450-500
7	112691100/0	3	Screw	Vite	Vis	Schraube	B&S 625-675 / Sumec
7	112691115/0	3	Screw	Vite	Vis	Schraube	Honda - GGP
8	112154210/0	3	Nut	Dado	Ecrou	Mutter	



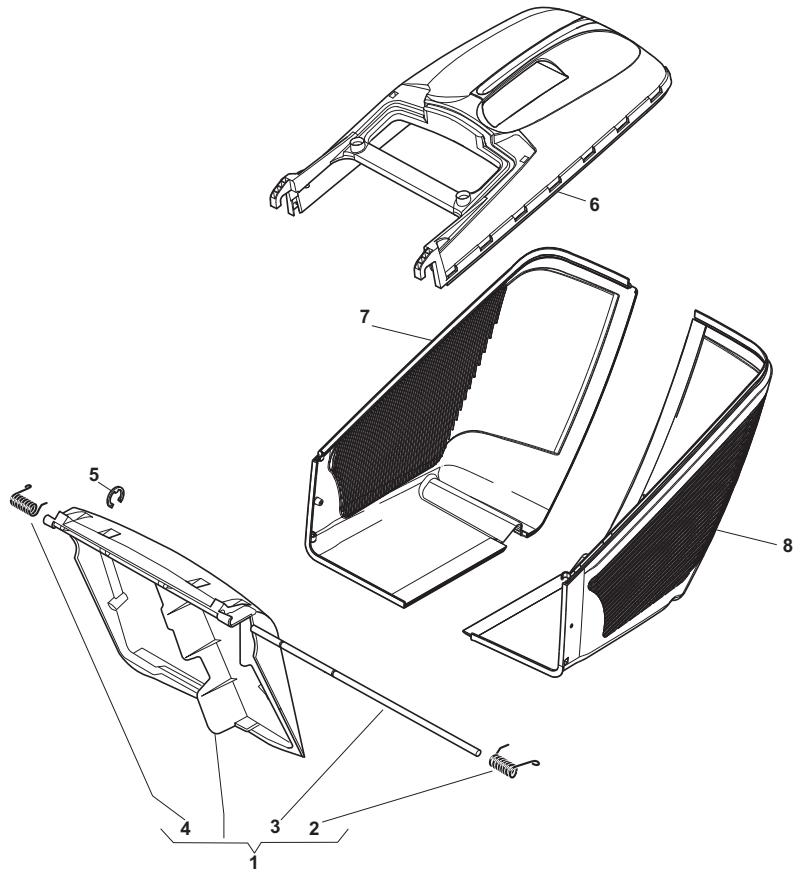
POS	PART. NO	Q.ty	DESCRIPTION	DESCRIZIONE	DESCRIPTION	BESCHREIBUNG	REMARKS
1	112727791/0	1	Screw	Vite	Vis	Schraube	
2	122060195/0	1	Protection, Belt	Carter Cinghia	Protection Courroire	Schutz, Riemen	
3	322291150/0	1	Rubber Insert	Inserto In Gomma	Insert De	Gummi Einsatz	



POS	PART. NO	Q.ty	DESCRIPTION	DESCRIZIONE	DESCRIPTION	BESCHREIBUNG	REMARKS
1	381008021/2	1	Stone-Guard	Parasassi	Pare-Pierres	Prallblech	
2	22450420/1	1	R Spring	Molla Dx	Ressort D	Rechte Feder	
3	22517906/1	1	Pin	Perno	Pivot	Bolzen	
4	22450410/1	1	L Spring	Molla Sx	Ressort G	Linke Feder	
5	12000930/0	1	Snap Ring	Anello Elastico	Anneau Ressort	Sprengring	
6	22486093/0	1	Grass-Box, Upper	Sacco, Parte Sup	Sac, Partie	Korb, Oberteil	
7	12728445/0	2	Screw	Vite	Vis	Schraube	
8	81002195/0	1	Box, Fabric	Sacco, Tela	Sac, Toile	Sack, Tuck	
9	22608523/0	1	Stiffening Lower	Rinforzo Inf	Réinforcement Inf	Verstärkung	



POS	PART. NO	Q.ty	DESCRIPTION	DESCRIZIONE	DESCRIPTION	BESCHREIBUNG	REMARKS
1	381008021/2	1	Stone-Guard	Parasassi	Pare-Pierres	Prallblech	
2	22450420/1	1	L Spring	Molla Sx	Ressort G	Linke Feder	
3	22517906/1	1	Pin	Perno	Pivot	Bolzen	
4	22450410/1	1	R Spring	Molla Dx	Ressort D	Rechte Feder	
5	12000930/0	1	Snap Ring	Anello Elastico	Anneau Ressort	Sprengring	
6	22486101/0	1	Grass-Box, Upper	Sacco, Parte Sup	Sac, Partie	Korb, Oberteil	
7	22608525/0	1	Stiffening Lower	Rinforzo Inf	Réinforcement Inf	Verstärkung	
8	81002211/0	1	Box, Fabric	Sacco, Tela	Sac, Toile	Sack, Tuck	
9	12728680/0	2	Screw	Vite	Vis	Schraube	
10	12523050/0	2	Washer	Rosetta	Rondelle	Scheibe	



POS	PART. NO	Q.ty	DESCRIPTION	DESCRIZIONE	DESCRIPTION	BESCHREIBUNG	REMARKS
1	381008021/2	1	Stone-Guard	Parasassi	Pare-Pierres	Prallblech	
2	22450420/1	1	L Spring	Molla Sx	Ressort G	Linke Feder	
3	22517906/1	1	Pin	Perno	Pivot	Bolzen	
4	22450410/1	1	R Spring	Molla Dx	Ressort D	Rechte Feder	
5	12000930/0	1	Snap Ring	Anello Elastico	Anneau Ressort	Sprengring	
6	22486101/0	1	Grass-Box, Upper	Sacco, Parte Sup	Sac, Partie	Korb, Oberteil	
7	322486150/1	1	Grass-Box, R Lower	Sacco, Parte Inf Dx	Sac, Partie Inf. D	Korb, R Unterteil	
8	322486151/1	1	Grass-Box, L Lower	Sacco, Parte Inf Sx	Sac, Partie Inf. G	Korb, L Unterteil	