

# ILLUSTRATED PARTS LIST

## MCS 504

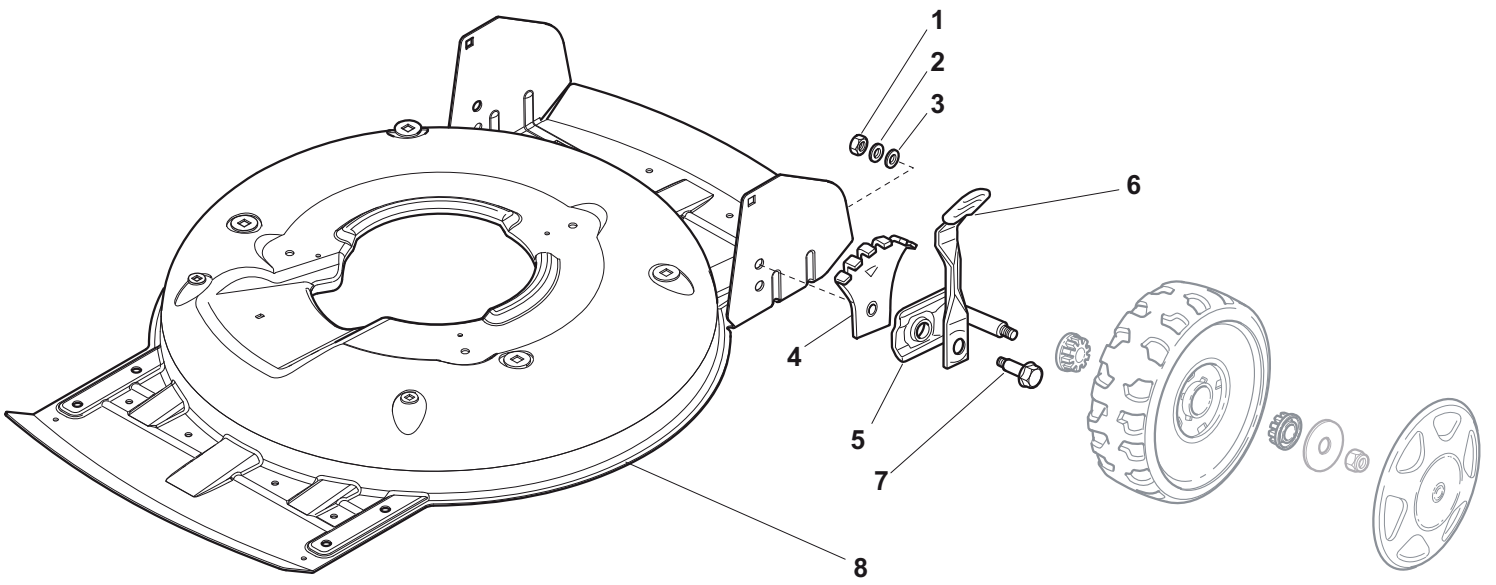


- Use GLOBAL GARDEN PRODUCT Genuine Spare Parts specified in the parts list for repair and/or replacement.
- The contents described in the parts list may change due to improvement.
- The drawings of the spare parts are only indicative and might not represent the part in question exactly.
- The indications "right" - "left" - "front" - "rear" refer to the position of the operator when using the machine.
- When placing orders of parts for repair and/or replacement, make sure that the illustrated parts list is the one applying to the machine's year of manufacture, as shown on the identification plate attached to the machine.

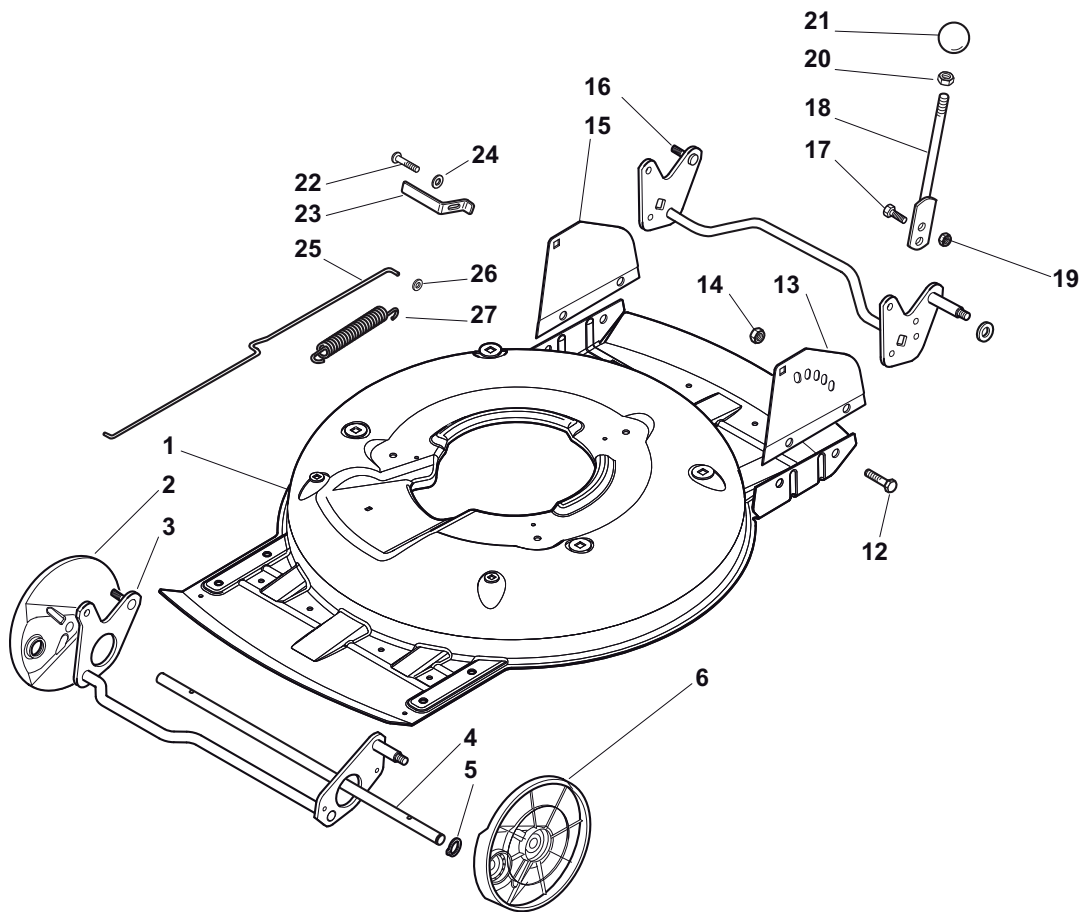
© Copyright 2012 Global Garden Products

All content is subject to copyright by Global Garden Products and may not be reproduced in whole or in part by any means, electronic or otherwise, without prior written approval.

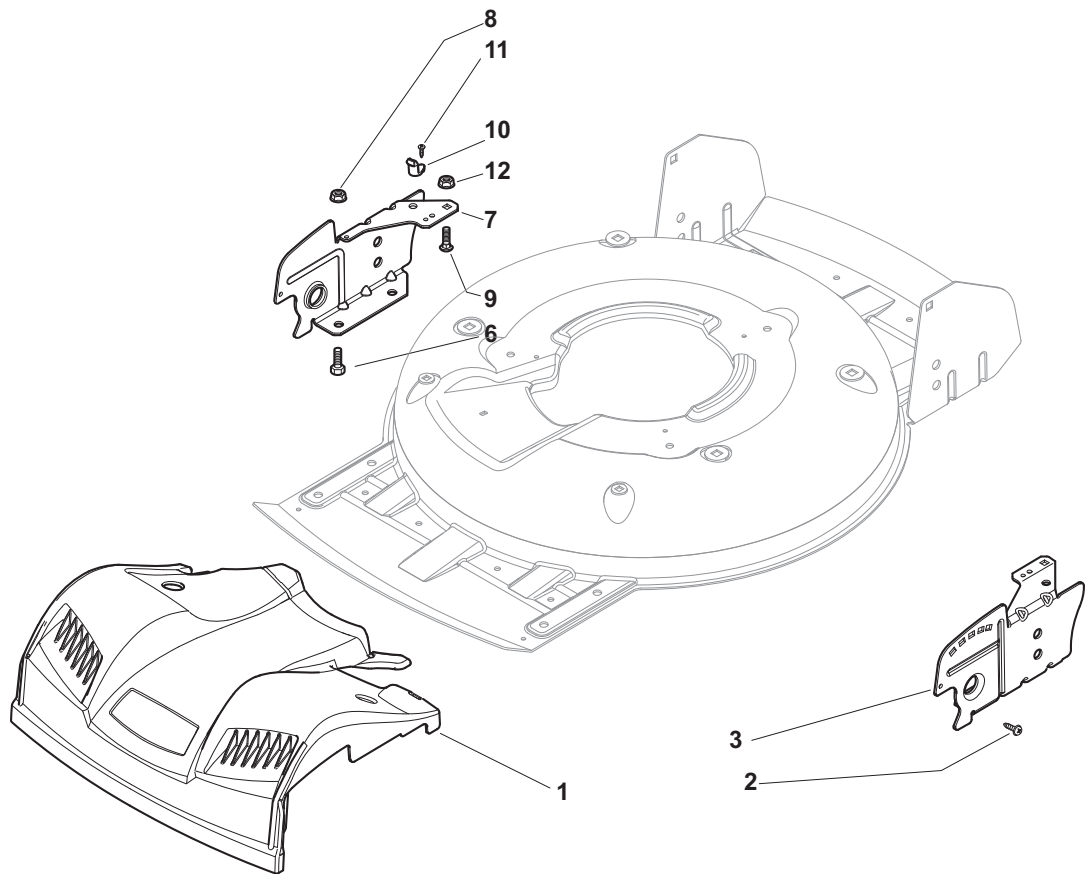
THIS INFORMATION IS NOT INTENDED FOR SALE OR RESALE, AND THIS NOTICE MUST REMAIN ON ALL COPIES.



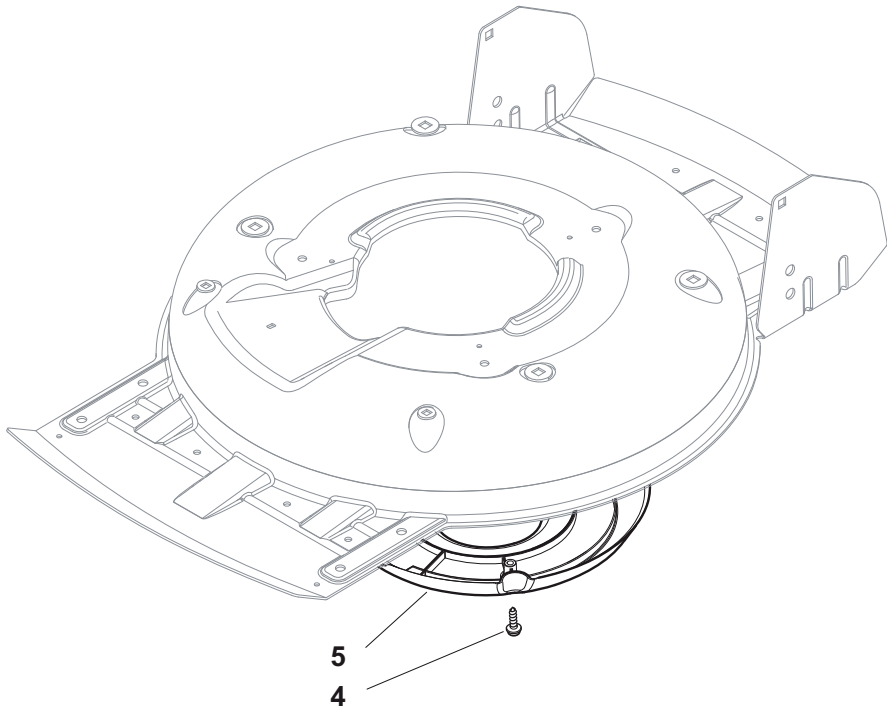
POS	PART. NO	Q.ty	DESCRIPTION	DESCRIZIONE	DESCRIPTION	BESCHREIBUNG	REMARKS
1	12293200/0	4	Nut	Dado	Ecrou	Mutter	
2	12583500/0	4	Grower	Grower	Grower	Federring	
3	12523070/0	4	Washer	Rosetta	Rondelle	Scheibe	
4	22735547/0	4	Sector, Height Adjustment	Settore Regolazione Altezza	Secteur Reglage Hauteur	Sektor, Höheverstellung	
5	81005082/0	4	Support, Wheel	Supporto Ruota	Support Roue	Halter, Rad	Ø 190
5	81005084/0	4	Support, Wheel	Supporto Ruota	Support Roue	Halter, Rad	Ø 210
6	81003286/0	4	Lever, Height Adjustment	Leva Regolazione Altezza	Levier, Reglage Hauteur	Hebel, Höheverstellung	
7	22519811/0	4	Pin	Perno	Pivot	Bolzen	
8	81002907/1	1	Deck Yellow	Chassis Giallo	Châssis Jaune	Gehäuse Gelb	



POS	PART. NO	Q.ty	DESCRIPTION	DESCRIZIONE	DESCRIPTION	BESCHREIBUNG	REMARKS
1	81002909/1	1	Deck Grey	Chassis Grigio	Châssis Gris	Gehäuse Grau	
1	322064691/0	1	Deck INOX	Chassis INOX	Châssis INOX	Gehäuse INOX	
2	22600093/0	1	Protection, L Wheel	Prot. Ruote Sx	Protection Roue G	Schütz, Linkes	
3	81002849/0	1	Axle, Front Wheels	Asse Ruote Anteriore	Axe Roues Avant	Achse, Vorderrad	
4	22033397/0	1	Axle, Front Wheels	Asse Fulcro Ruote	Axe Roues Avant	Achse, Vorderrad	
5	22020050/0	2	Snap Ring	Anello Elastico	Anneau Ressort	Sprengring	
6	22600092/0	1	Protection, R Wheel	Prot. Ruote Dx	Protection Roue D	Schütz, Rechtes	
12	12791011/0	4	Screw	Vite	Vis	Schraube	
13	81545105/0	1	Left Plate	Piastrina Sinistra	Plaquette G	Plättchen L	
13	322545169/0	1	Left Plate, INOX	Piastrina Sinistra, INOX	Plaquette Gauche, INOX	Plättchen Linke, INOX	
14	12154510/0	4	Nut	Dado	Ecrou	Mutter	
15	81545104/0	1	Right Plate	Piastrina Destra	Plaquette D	Plättchen R	
15	322545167/0	1	Right Plate, INOX	Piastrina Destra, INOX	Plaquette Droite, INOX	Plättchen Rechte, INOX	
16	81002851/0	1	Axle, Rear Wheels	Asse Ruote Posteriore	Axe Roues Arriere	Achse, Hinterrad	
17	12789000/0	2	Screw	Vite	Vis	Schraube	
18	81003323/0	1	Lever, Height Adjustment	Leva Regolazione Altezza	Levier Reglage Hauteur	Hebel, Höneverstellung	
19	12154330/0	2	Nut	Dado	Ecrou	Mutter	
20	12293200/0	1	Nut	Dado	Ecrou	Mutter	
21	22399812/0	1	Knob	Manopolina	Poignée	Griff	
22	12735661/0	2	Screw	Vite	Vis	Schraube	
23	22551529/0	2	Plate	Piastrina	Plaquette	Plättchen	
24	12521330/0	2	Washer	Rosetta	Rondelle	Scheibe	
25	22033329/0	1	Rod, Height Adjustment Control	Asta Comando Regol.	Tige Commande Reglage Hauteur	Stange, Höneverstellung	
26	12604899/0	2	Crown Fastener	Fissatore A Corona	Fixateur A Couronne	Kronescheibe	
27	22446184/0	1	Spring	Molla	Ressort	Feder	

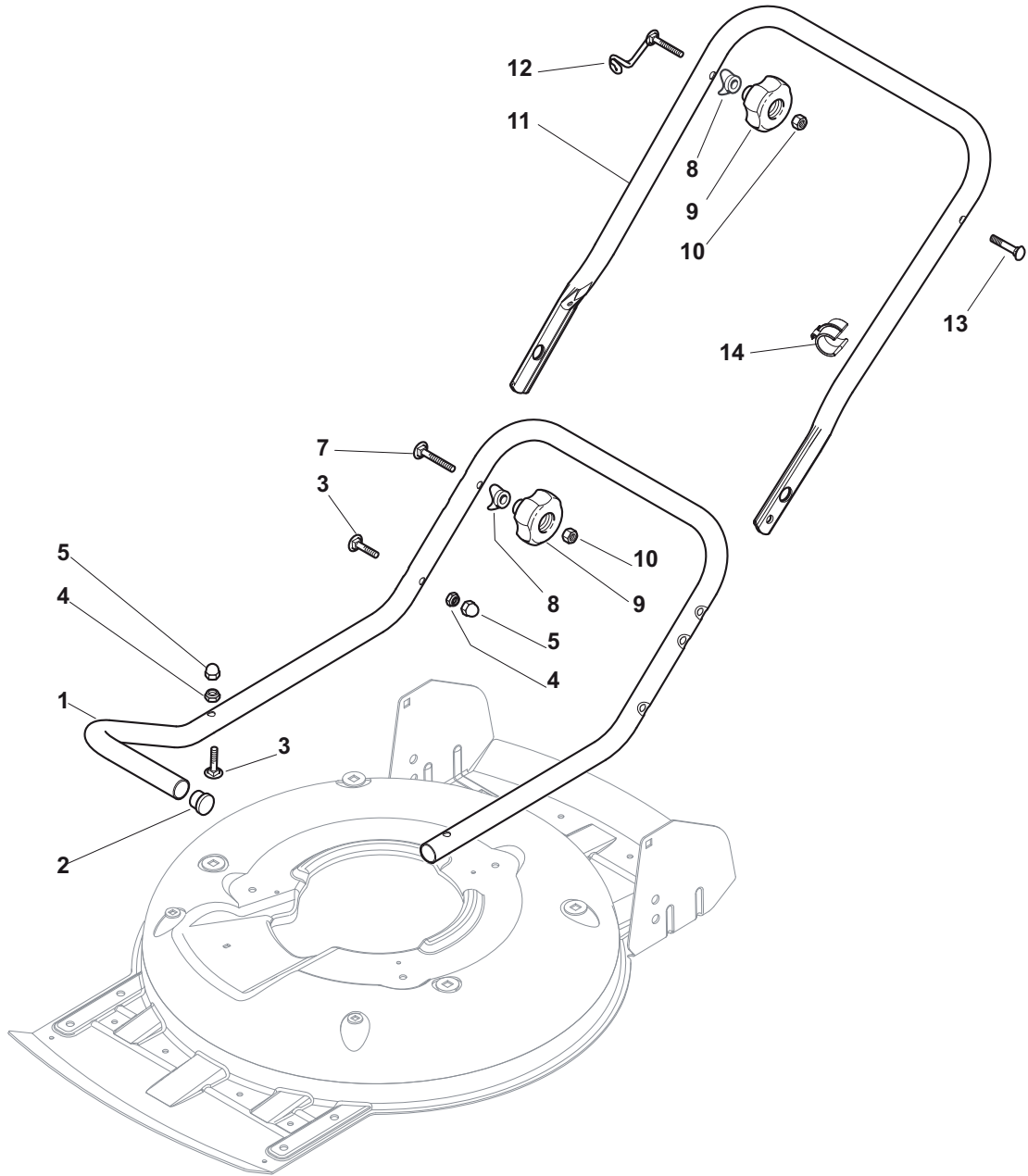


POS	PART. NO	Q.ty	DESCRIPTION	DESCRIZIONE	DESCRIPTION	BESCHREIBUNG	REMARKS
1	322226097/1	1	Mask, Yellow	Mascherina, Giallo	Mesque, Jaune	Maske, Gelb	
1	322226098/1	1	Mask, Grey	Mascherina, Grigio	Mesque, Gris	Maske, Grau	
1	322226133/0	1	Mask, Black	Mascherina, Nero	Mesque, Noir	Maske, Schwarz	
2	12728523/0	2	Screw	Vite	Vis	Schraube	
3	22778421/0	1	Bracket, L	Staffa Sx	Bride G	Pratze, Linke	
6	12792611/0	4	Screw	Vite	Vis	Schraube	
7	22778419/0	1	Bracket, R	Staffa Dx	Bride D	Pratze, Rechte	
8	12293201/0	4	Nut	Dado	Ecrou	Mutter	
9	12815200/0	2	Screw	Vite	Vis	Schraube	
10	22020400/0	2	Fairlead	Aggancio	Support	Halter	
11	12728523/0	2	Screw	Vite	Vis	Schraube	
12	12292102/0	2	Nut	Dado	Ecrou	Mutter	

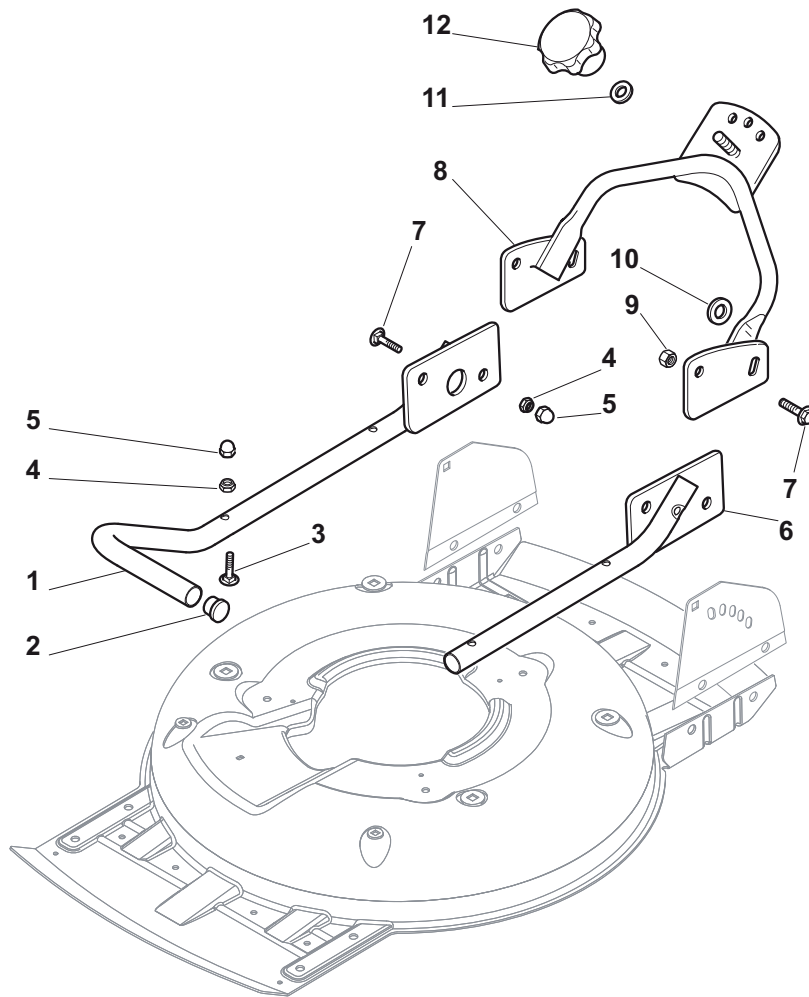




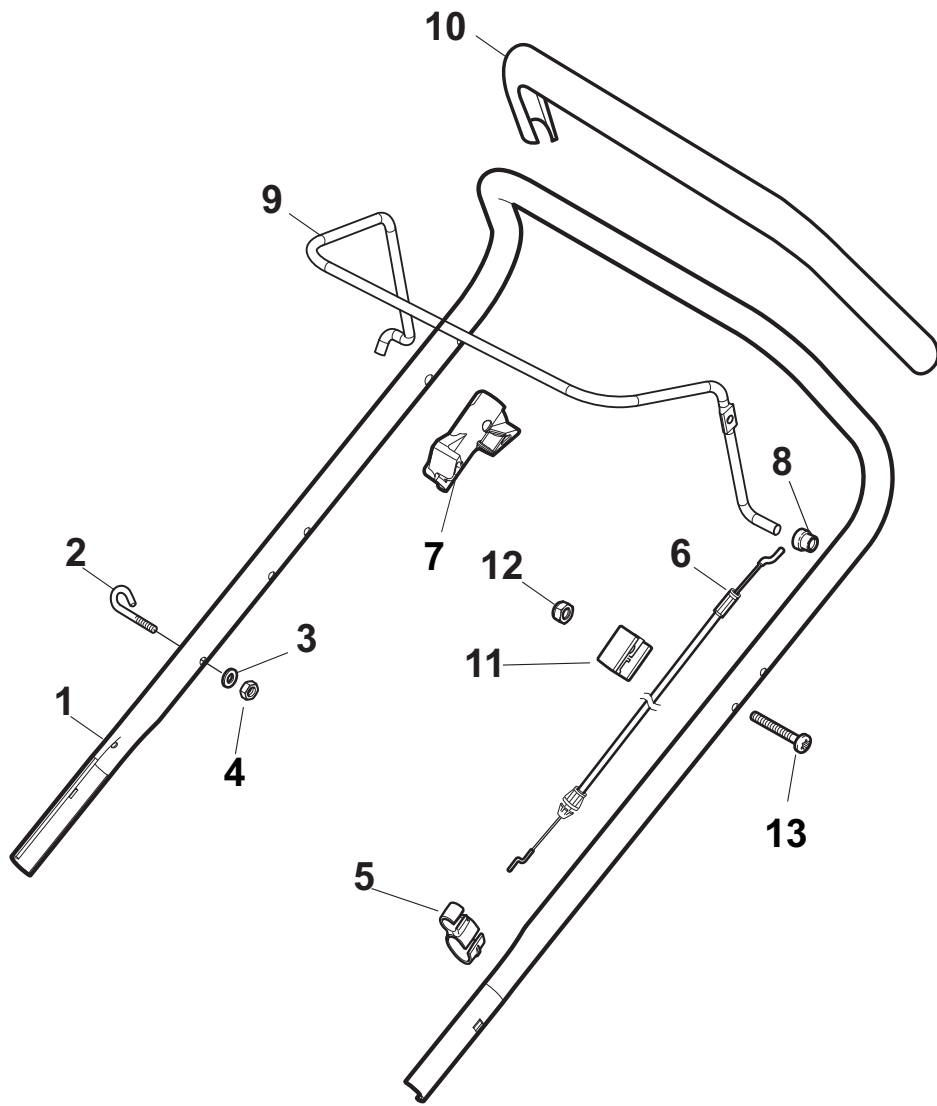
POS	PART. NO	Q.ty	DESCRIPTION	DESCRIZIONE	DESCRIPTION	BESCHREIBUNG	REMARKS
4	12728530/0	3	Screw	Vite	Vis	Schraube	
5	22060220/0	1	Protection	Carter	Protection	Schutz	



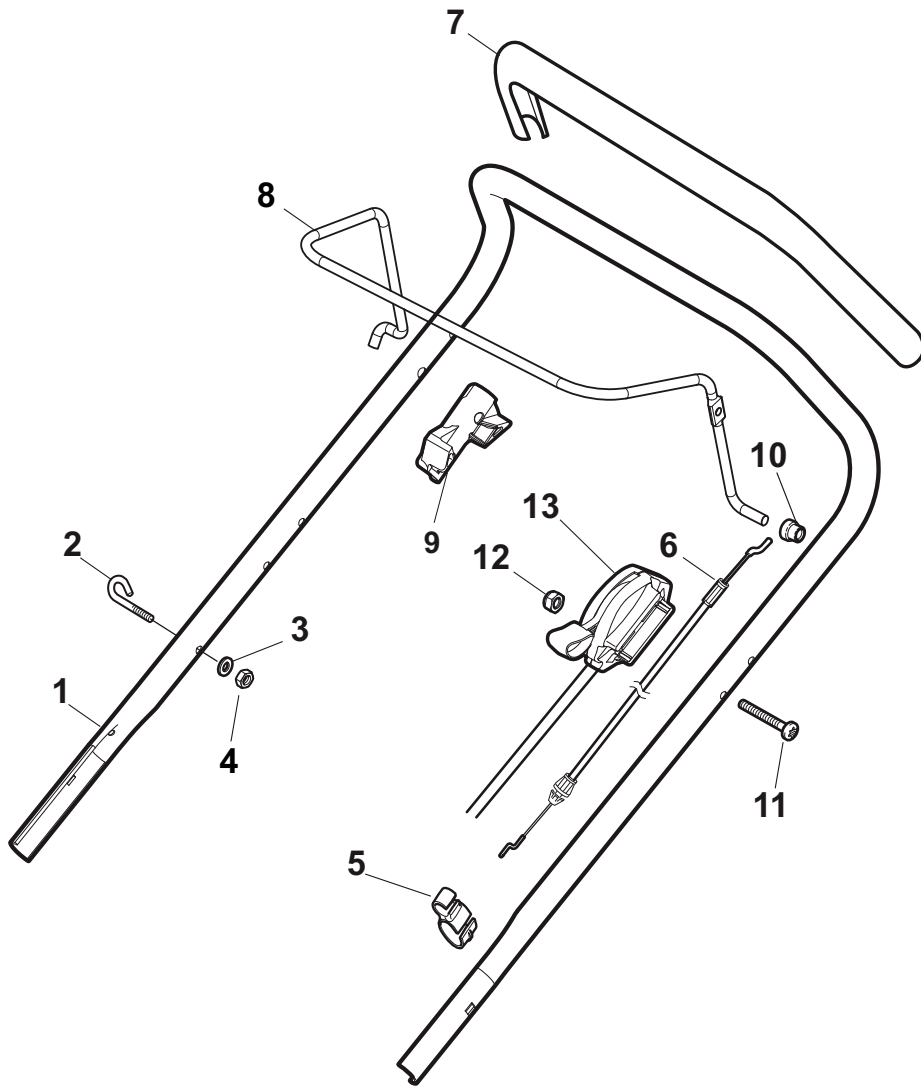
POS	PART. NO	Q.ty	DESCRIPTION	DESCRIZIONE	DESCRIPTION	BESCHREIBUNG	REMARKS
1	81006667/0	1	Handle, Lower Part	Manico, Parte Inf	Mancheron, Partie Inferieure	Holm, Unterteil	
2	18566110/0	2	Cap	Puntale	Bouchon	Gummistopfen	
3	12818900/0	4	Screw	Vite	Vis	Schraube	
4	12155000/0	4	Nut	Dado	Ecrou	Mutter	
5	18203854/0	4	Protection	Cappuccio	Capuchon	Stecker	
7	12819201/0	2	Screw	Vite	Vis	Schraube	
8	22680006/1	4	Washer	Rosetta	Rondelle	Scheibe	
9	322399804/1	4	Knob	Manopolina	Poignée	Griff	
10	12293200/0	4	Nut	Dado	Ecrou	Mutter	
11	81006668/0	1	Handle, Middle Part	Manico, Parte Intermedia	Mancheron	Holm	
12	81003801/1	1	Guide Spring	Molla Guida	Ressort	Feder	
13	12819201/0	1	Screw	Vite	Vis	Schraube	
14	118390020/0	1	Fairlead	Fermacavo	Fixation Cable	Kabelbefestigung	



POS	PART. NO	Q.ty	DESCRIPTION	DESCRIZIONE	DESCRIPTION	BESCHREIBUNG	REMARKS
1	81006373/0	1	Right Handle, Lower Part Yellow	Manico, Parte Inf Dx, Giallo	Mancheron, Partie Inferieure Jaune	Holm, Unterteil Gelb	
1	81006377/0	1	Right Handle, Lower Part Black	Manico, Parte Inf Dx, Nero	Mancheron, Partie Inferieure Noir	Holm, Unterteil Schwarz	
2	18566114/0	4	Cap	Puntale	Bouchon	Gummistopfen	
3	12819100/0	6	Screw	Vite	Vis	Schraube	
4	12155000/0	6	Nut	Dado	Ecrou	Mutter	
5	18203854/0	6	Protection	Cappuccio	Capuchon	Stecker	
6	81006375/0	1	Left Handle, Lower Part Yellow	Manico, Parte Inf Sx, Giallo	Mancheron, Partie Inferieure Jaune	Holm, Unterteil Gelb	
6	381006379/0	1	Left Handle, Lower Part Black	Manico, Parte Inf Sx Nero	Mancheron, Partie Inferieure Noir	Holm, Unterteil Schwarz	
7	12793102/0	4	Screw	Vite	Vis	Schraube	
8	181006361/1	1	Handle, Middle Part Yellow	Manico, Parte Intermedia Giallo	Mancheron Jaune	Holm Gelb	
8	181006365/1	1	Handle, Middle Part Black	Manico, Parte Intermedia Nero	Mancheron Noir	Holm Schwarz	
9	12155000/0	4	Nut	Dado	Ecrou	Mutter	
10	12523060/0	2	Washer	Rosetta	Rondelle	Scheibe	
11	12523080/0	1	Washer	Rosetta	Rondelle	Scheibe	
12	22399813/0	1	Knob	Manopolina	Poignée	Griff	

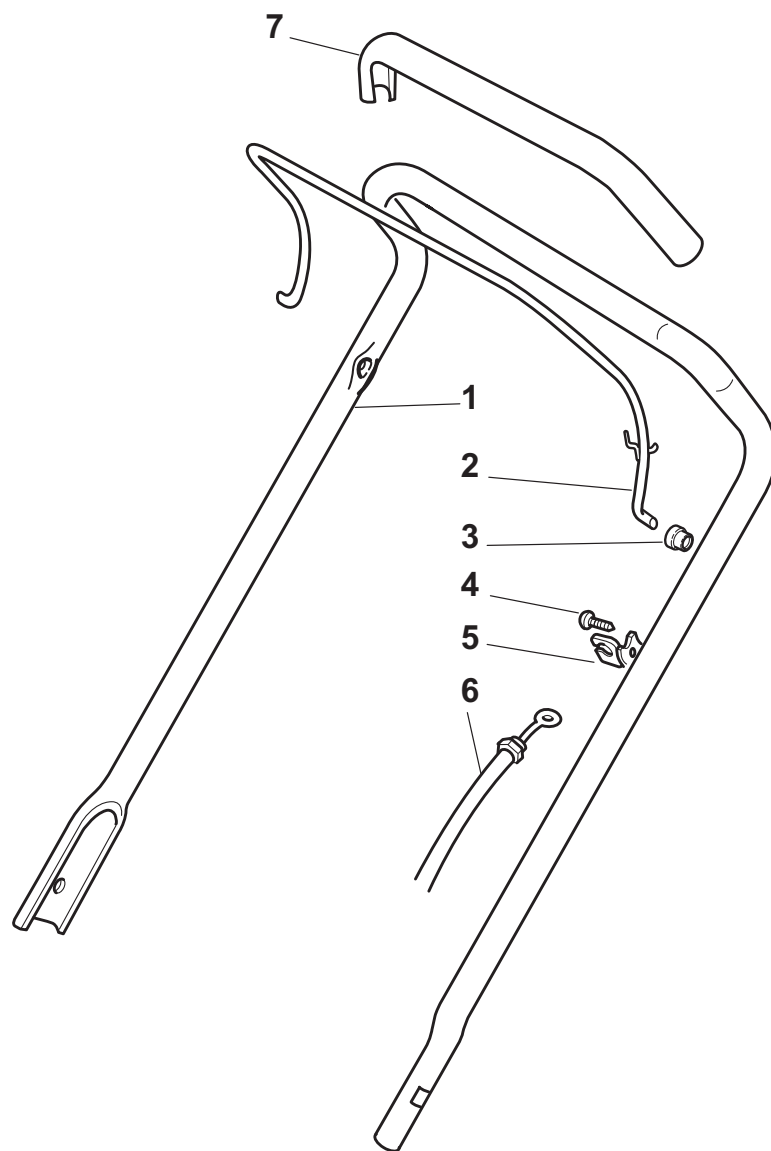


POS	PART. NO	Q.ty	DESCRIPTION	DESCRIZIONE	DESCRIPTION	BESCHREIBUNG	REMARKS
1	381007522/0	1	Handle, Upper Part	Manico, Parte Sup	Mancheron, Partie Superieure	Holm, Oberteil	
2	22430313/0	1	Guide Spring	Molla Guida	Ressort De Guide	Feder Führer	
3	12521330/0	1	Washer	Rosetta	Rondelle	Scheibe	
4	12154510/0	1	Nut	Dado	Ecrou	Mutter	
5	118390020/0	1	Fairlead	Fermacavo	Fixation Cable	Kabelbefestigung	
6	181030056/0	1	Cable, Thread Engine Brake	Cavo Freno Motore	Cable Frein Moteur	Kabel, Motorbremse	GGP-B&S-Honda
6	181030053/0	1	Cable, Thread Engine Brake	Cavo Freno Motore	Cable Frein Moteur	Kabel, Motorbremse	GGP150cc
6	181030069/0	1	Cable, Thread Engine Brake	Cavo Freno Motore	Cable Frein Moteur	Kabel, Motorbremse	GGP100cc
7	322545204/0	1	Fulcrum Pin	Fulcro	Point D'Appui	Gelenkpunkt	
8	22041966/0	2	Bush	Bussola	Douille	Buchse	
9	181003300/1	1	Lever, Engine Brake	Leva Freno Motore	Levier Frein Moteur	Hebel, Motorbremse	Black
9	381003373/0	1	Lever, Engine Brake	Leva Freno Motore	Levier Frein Moteur	Hebel, Motorbremse	Yellow
10	22291050/0	1	Handgrip Black	Impugnatura Manico Nera	Poignée Noire	Handgriff Schwarz	
11	22551640/0	1	Plate	Piastrina	Plaquette	Plättchen	
12	12154510/0	1	Nut	Dado	Ecrou	Mutter	
13	112727783/0	1	Screw	Vite	Vis	Schraube	

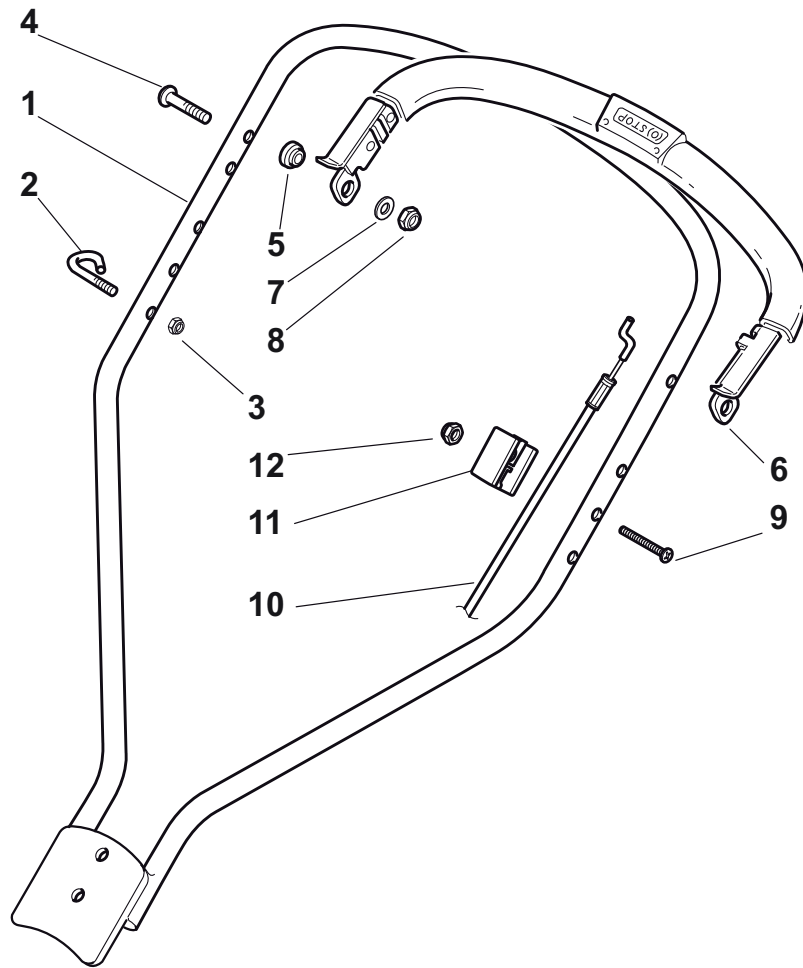




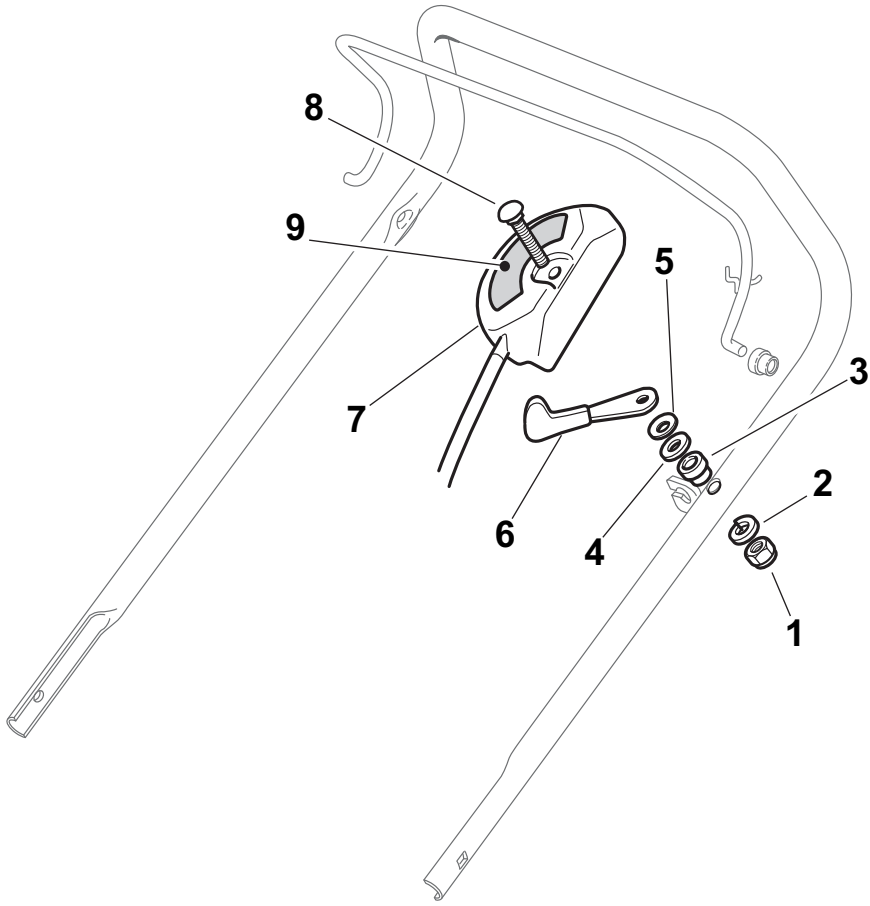
POS	PART. NO	Q.ty	DESCRIPTION	DESCRIZIONE	DESCRIPTION	BESCHREIBUNG	REMARKS
1	381007522/0	1	Handle, Upper Part	Manico, Parte Sup	Mancheron, Partie Superieure	Holm, Oberteil	
2	22430313/0	1	Guide Spring	Molla Guida	Ressort De Guide	Feder Führer	
3	12521330/0	1	Washer	Rosetta	Rondelle	Scheibe	
4	12154510/0	1	Nut	Dado	Ecrou	Mutter	
5	118390020/0	1	Fairlead	Fermacavo	Fixation Cable	Kabelbefestigung	
6	181030056/0	1	Cable, Thread Engine Brake	Cavo Freno Motore	Cable Frein Moteur	Kabel, Motorbremse	GGP-B&S-Honda
6	181030053/0	1	Cable, Thread Engine Brake	Cavo Freno Motore	Cable Frein Moteur	Kabel, Motorbremse	GGP150cc
6	181030069/0	1	Cable, Thread Engine Brake	Cavo Freno Motore	Cable Frein Moteur	Kabel, Motorbremse	GGP100cc
7	22291050/0	1	Handgrip Black	Impugnatura Manico Nera	Poignée Noire	Handgriff Schwarz	
8	181003300/1	1	Lever, Engine Brake	Leva Freno Motore	Levier Frein Moteur	Hebel, Motorbremse	Black
8	381003373/0	1	Lever, Engine Brake	Leva Freno Motore	Levier Frein Moteur	Hebel, Motorbremse	Yellow
9	322545204/0	1	Fulcrum Pin	Fulcro	Point D'Appui	Gelenkpunkt	
10	22041966/0	2	Bush	Bussola	Douille	Buchse	
11	12727783/0	1	Screw	Vite	Vis	Schraube	
12	12154510/0	1	Nut	Dado	Ecrou	Mutter	
13	181005511/0	1	Throttle Cable	Cavo Acceleratore	Cable, Accelérateur	Gashebel Kabel	B&S
13	181005504/1	1	Throttle Cable	Cavo Acceleratore	Cable, Accelérateur	Gashebel Kabel	GGP150cc
13	181005517/0	1	Throttle Cable	Cavo Acceleratore	Cable, Accelérateur	Gashebel Kabel	GGP-Honda



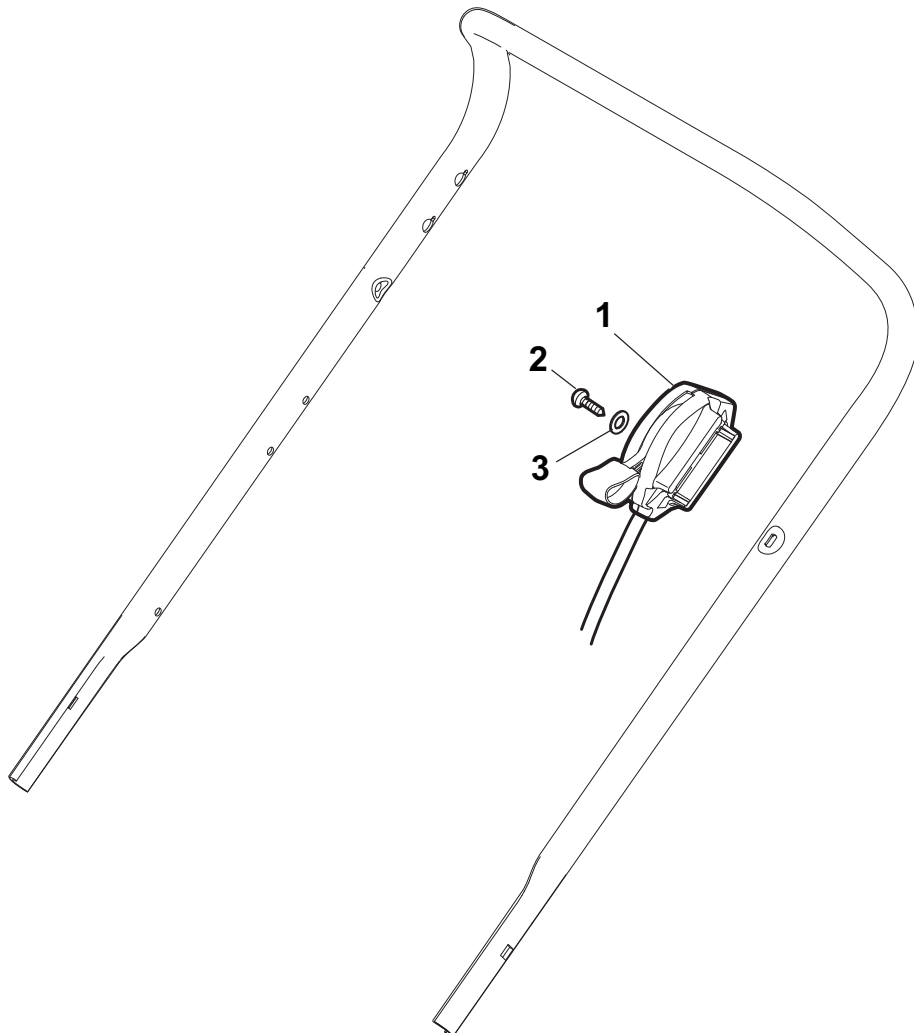
POS	PART. NO	Q.ty	DESCRIPTION	DESCRIZIONE	DESCRIPTION	BESCHREIBUNG	REMARKS
1	81007018/1	1	Handle, Upper Part	Manico, Parte Sup	Mancheron, Partie Superieure	Holm, Oberteil	
2	81003291/3	1	Lever, Engine Brake	Leva Freno Motore	Levier Frein Moteur	Hebel, Motorbremse	
3	22041966/0	2	Bush	Bussola	Douille	Buchse	
4	12728518/0	1	Screw	Vite	Vis	Schraube	
5	22806612/0	1	Support	Supporto	Support	Halter	
6	81000631/0	1	Cable, Thread Engine Brake	Cavo Freno Motore	Cable Frein Moteur	Kabel, Motorbremse	B&S 625-675
6	81000642/1	1	Cable, Thread Engine Brake	Cavo Freno Motore	Cable Frein Moteur	Kabel, Motorbremse	B&S 450-500
6	81000634/0	1	Cable, Thread Engine Brake	Cavo Freno Motore	Cable Frein Moteur	Kabel, Motorbremse	GGP
6	81000615/0	1	Cable, Thread Engine Brake	Cavo Freno Motore	Cable Frein Moteur	Kabel, Motorbremse	GGP150cc
6	81000631/0	1	Cable, Thread Engine Brake	Cavo Freno Motore	Cable Frein Moteur	Kabel, Motorbremse	Honda
7	22291050/0	1	Handgrip Black	Impugnatura Manico Nera	Poignée Noire	Handgriff Schwarz	



POS	PART. NO	Q.ty	DESCRIPTION	DESCRIZIONE	DESCRIPTION	BESCHREIBUNG	REMARKS
1	181006363/2	1	Handle, Upper Part Yellow	Manico, Parte Sup, Giallo	Mancheron, Partie Superieure Jaune	Holm, Oberteil Gelb	
1	181006367/1	1	Handle, Upper Part Black	Manico, Parte Sup Nero	Mancheron, Partie Superieure Noir	Holm, Oberteil Schwarz	
2	22430314/0	1	Spring	Molla Guida	Ressort	Feder	
3	12154510/0	1	Nut	Dado	Ecrou	Mutter	
4	12727784/0	2	Screw	Vite	Vis	Schraube	
5	22671660/1	2	Washer	Rosetta	Rondelle	Scheibe	
6	81003318/1	1	Lever, Engine Brake	Leva Freno Motore	Levier Frein Moteur	Hebel, Motorbremse	
7	12523040/0	2	Washer	Rosetta	Rondelle	Scheibe	
8	12154510/0	2	Nut	Dado	Ecrou	Mutter	
9	12727783/0	1	Screw	Vite	Vis	Schraube	
10	181000769/1	1	Cable, Thread Engine Brake	Cavo Freno Motore	Cable Frein Moteur	Kabel, Motorbremse	B&S 450-500
10	181000618/0	1	Cable, Thread Engine Brake	Cavo Freno Motore	Cable Frein Moteur	Kabel, Motorbremse	B&S 625-675
10	181000618/0	1	Cable, Thread Engine Brake	Cavo Freno Motore	Cable Frein Moteur	Kabel, Motorbremse	GGP
10	81000730/0	1	Cable, Thread Engine Brake	Cavo Freno Motore	Cable Frein Moteur	Kabel, Motorbremse	GGP150cc
10	81000733/0	1	Cable, Thread Engine Brake	Cavo Freno Motore	Cable Frein Moteur	Kabel, Motorbremse	Honda
10	181000761/1	1	Cable, Thread Engine Brake	Cavo Freno Motore	Cable Frein Moteur	Kabel, Motorbremse	AVS
11	22551640/0	1	Plate	Piastrina	Plaquette	Plättchen	
12	12154510/0	1	Nut	Dado	Ecrou	Mutter	

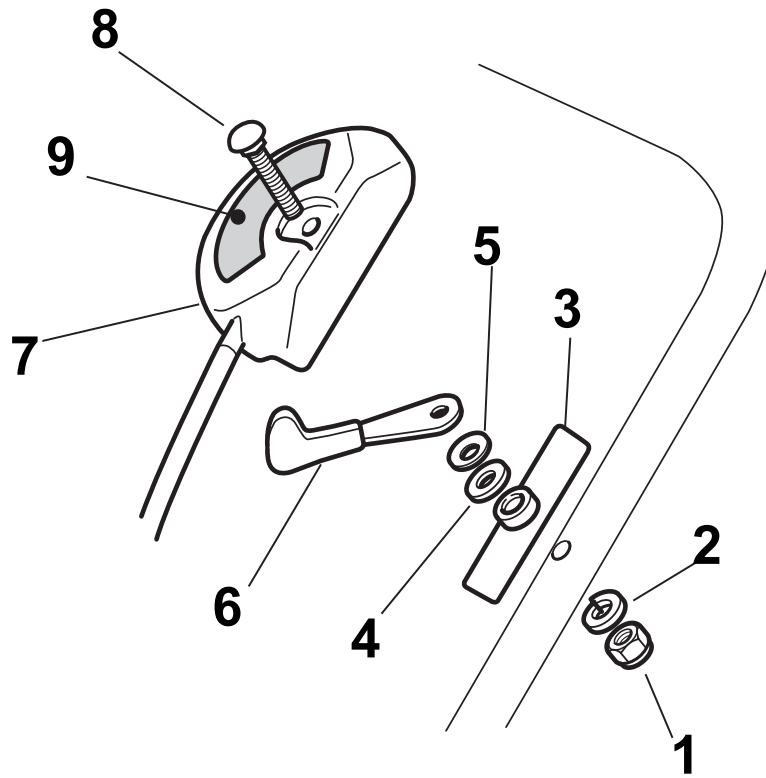


POS	PART. NO	Q.ty	DESCRIPTION	DESCRIZIONE	DESCRIPTION	BESCHREIBUNG	REMARKS
1	12291000/0	1	Nut	Dado	Ecrou	Mutter	
2	12581500/0	1	Grower	Grower	Grower	Federring	
3	22171005/0	1	Spacer	Distanziale	Entretoise	Distanzring	
4	12521360/0	1	Washer	Rosetta	Rondelle	Scheibe	
5	12508100/0	1	Spring Washer	Rosetta Elastica	Rondelle Elastique	Elastische Scheibe	
6	81007279/1	1	Lever, Throttle	Leva, Acceleratore	Levier, Accelérateur	Hebel, Beschleuniger	GGP-B&S-Honda
6	81007220/0	1	Lever, Throttle	Leva, Acceleratore	Levier, Accelérateur	Hebel, Beschleuniger	GGP150-B&S450-500
7	81007080/0	1	Throttle Cable	Cavo Acceleratore	Cable, Accelérateur	Gashebel Kabel	
8	12815000/0	1	Screw	Vite	Vis	Schraube	
9	14356703/0	1	Label	Etichetta	Etiquette	Etikette	B&S
9	114356905/0	1	Label	Etichetta	Etiquette	Etikette	B&S DOV
9	14356702/0	1	Label	Etichetta	Etiquette	Etikette	GGP
9	114364264/0	1	Label	Etichetta	Etiquette	Etikette	AVS
9	14356702/0	1	Label	Etichetta	Etiquette	Etikette	Honda
9	114356905/0	1	Label	Etichetta	Etiquette	Etikette	Honda Autochoke

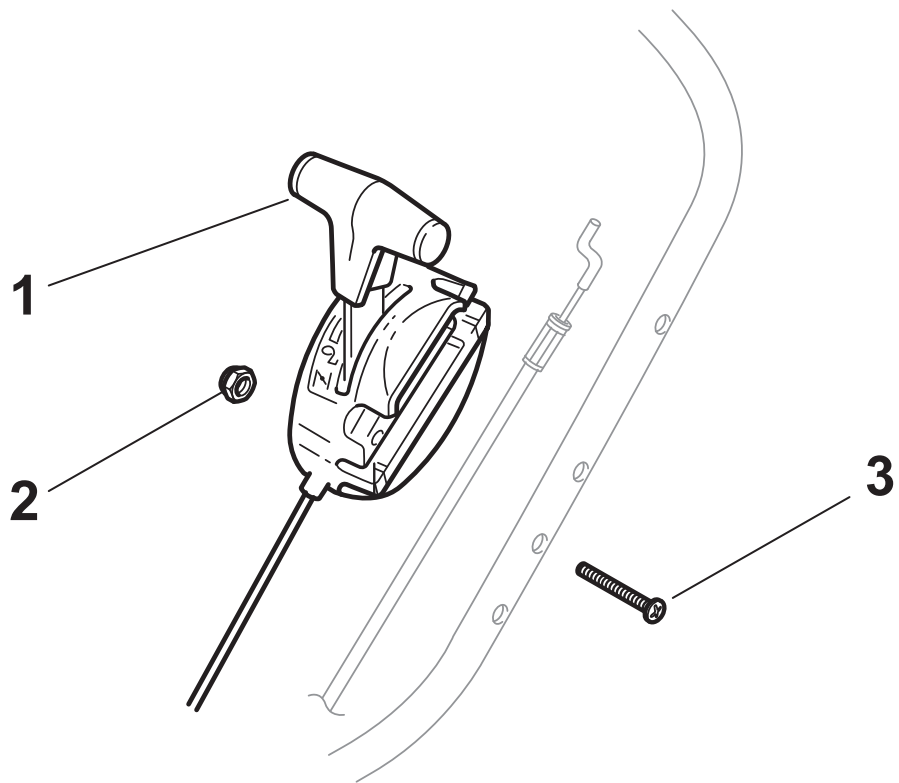




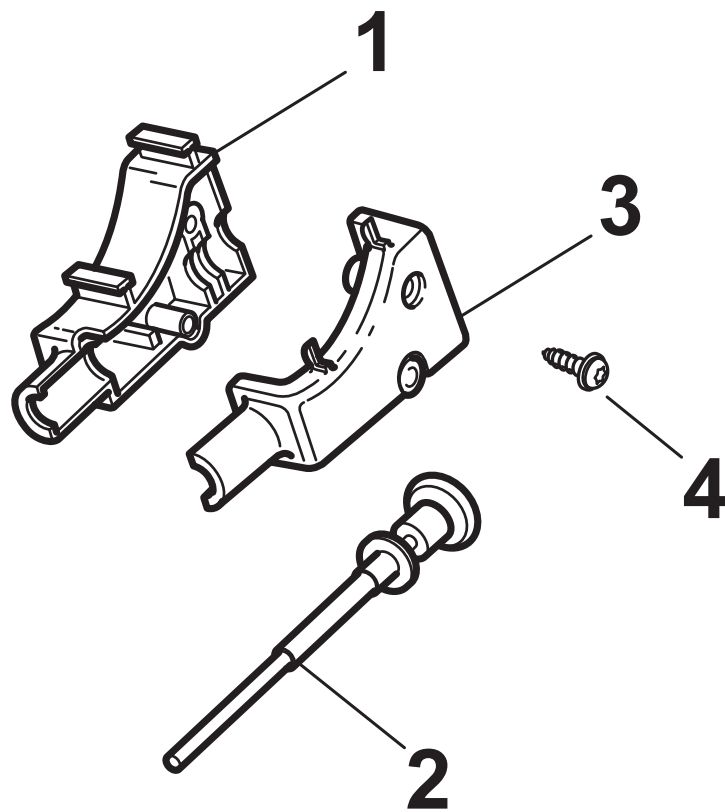
POS	PART. NO	Q.ty	DESCRIPTION	DESCRIZIONE	DESCRIPTION	BESCHREIBUNG	REMARKS
1	181005501/1	1	Throttle Cable	Cavo Acceleratore	Cable, Accelérateur	Gashebel Kabel	GGP
1	181005501/1	1	Throttle Cable	Cavo Acceleratore	Cable, Accelérateur	Gashebel Kabel	Honda
1	181005502/1	1	Throttle Cable	Cavo Acceleratore	Cable, Accelérateur	Gashebel Kabel	B&S
1	181005503/1	1	Throttle Cable	Cavo Acceleratore	Cable, Accelérateur	Gashebel Kabel	Honda Autochoke
1	181005504/1	1	Throttle Cable	Cavo Acceleratore	Cable, Accelérateur	Gashebel Kabel	GGP150cc
1	181005537/0	1	Throttle Cable	Cavo Acceleratore	Cable, Accelérateur	Gashebel Kabel	GGP100cc
2	12735103/0	1	Screw	Vite	Vis	Schraube	
3	12523040/0	1	Washer	Rosetta	Rondelle	Scheibe	



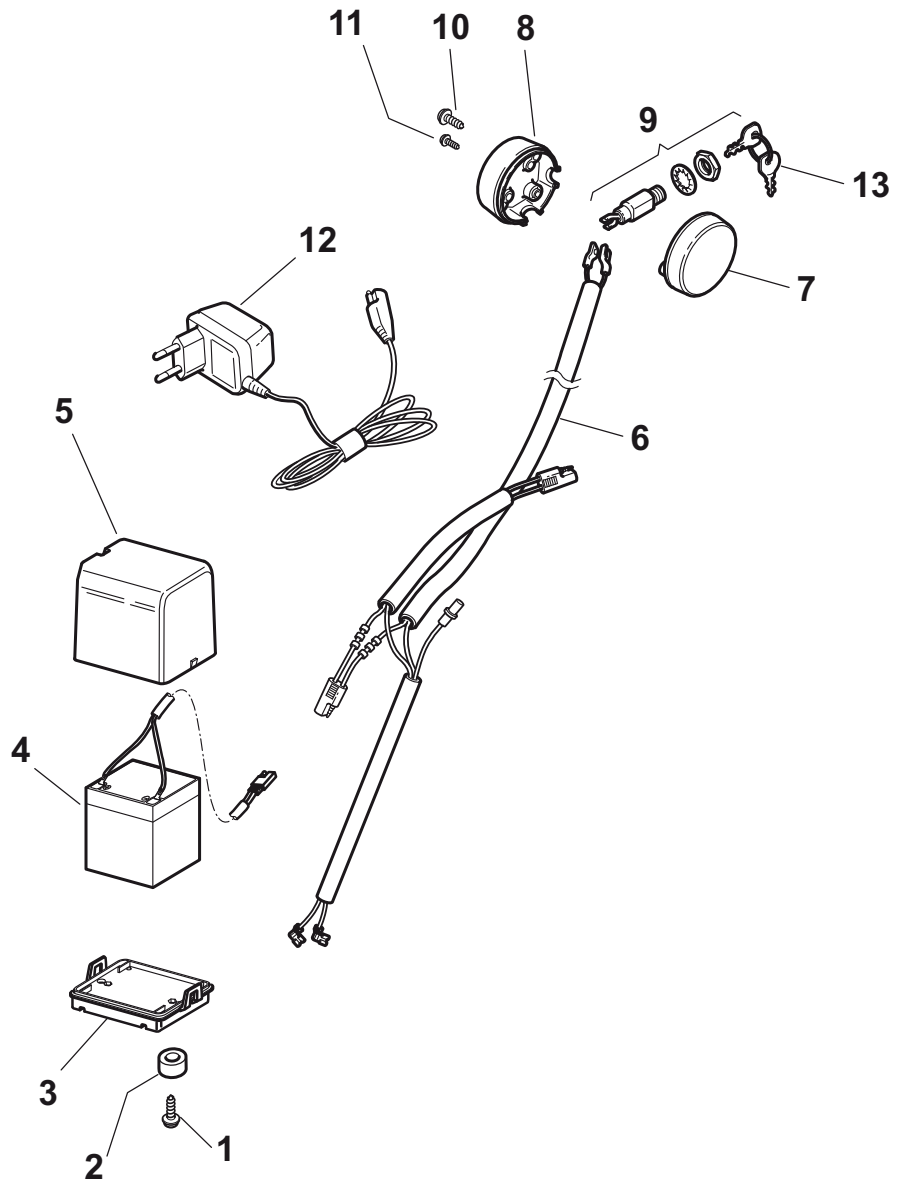
POS	PART. NO	Q.ty	DESCRIPTION	DESCRIZIONE	DESCRIPTION	BESCHREIBUNG	REMARKS
1	12291000/0	1	Nut	Dado	Ecrou	Mutter	
2	12581500/0	1	Grower	Grower	Grower	Federring	
3	22171006/0	1	Spacer	Distanziale	Entretoise	Distanzring	
4	12521360/0	1	Washer	Rosetta	Rondelle	Scheibe	
5	12508100/0	1	Spring Washer	Rosetta Elastica	Rondelle Elastique	Elastische Scheibe	
6	81007279/1	1	Lever, Throttle	Leva, Acceleratore	Levier, Accelérateur	Hebel, Beschleuniger	Honda-GGP-B&S
6	81007220/0	1	Lever, Throttle	Leva, Acceleratore	Levier, Accelérateur	Hebel, Beschleuniger	GGP150cc - B&S 450-500
7	81007080/0	1	Throttle Cable	Cavo Acceleratore	Cable, Accelérateur	Gashebel Kabel	
8	12815030/0	1	Screw	Vite	Vis	Schraube	
9	14356703/0	1	Label	Etichetta	Etiquette	Etikette	B&S
9	114356905/0	1	Label	Etichetta	Etiquette	Etikette	B&S DOV
9	14356702/0	1	Label	Etichetta	Etiquette	Etikette	GGP
9	114364264/0	1	Label	Etichetta	Etiquette	Etikette	Honda
9	14356702/0	1	Label	Etichetta	Etiquette	Etikette	Honda Autochoke
9	114356905/0	1	Label	Etichetta	Etiquette	Etikette	AVS



POS	PART. NO	Q.ty	DESCRIPTION	DESCRIZIONE	DESCRIPTION	BESCHREIBUNG	REMARKS
1	81007130/0	1	Throttle Cable	Cavo Acceleratore	Cable, Accelérateur	Gashebel Kabel	
2	12154510/0	1	Nut	Dado	Ecrou	Mutter	
3	12727786/0	1	Screw	Vite	Vis	Schraube	

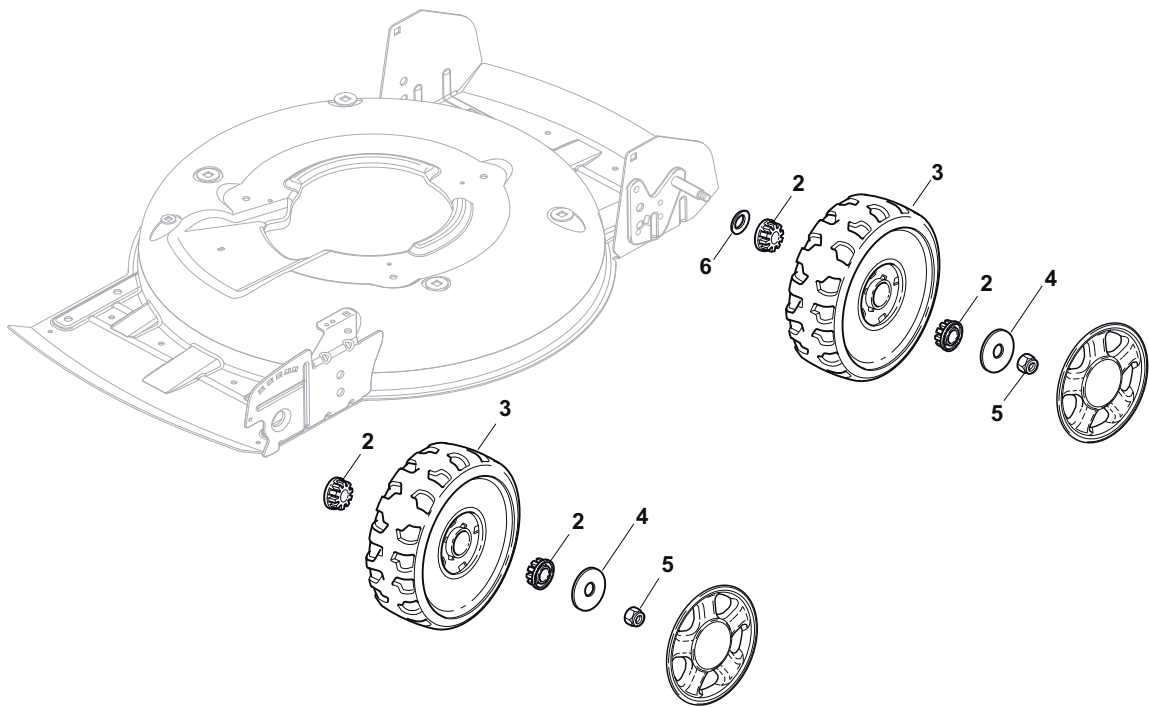


POS	PART. NO	Q.ty	DESCRIPTION	DESCRIZIONE	DESCRIPTION	BESCHREIBUNG	REMARKS
1	22722804/1	1	R Protection	Protezione Dx	Protection D	Rechte Schutz	
2	381000742/1	1	Starter Drive	Comando Starter	Commande Starter	Starter Betaetigung	GGP 150cc
2	381030022/0	1	Starter Drive	Comando Starter	Commande Starter	Starter Betaetigung	GGP 160cc
2	381030024/0	1	Starter Drive	Comando Starter	Commande Starter	Starter Betaetigung	Honda
3	22722805/1	1	L Protection	Protezione Sx	Protection G	Linke Schutz	
4	12728300/0	1	Screw	Vite	Vis	Schraube	

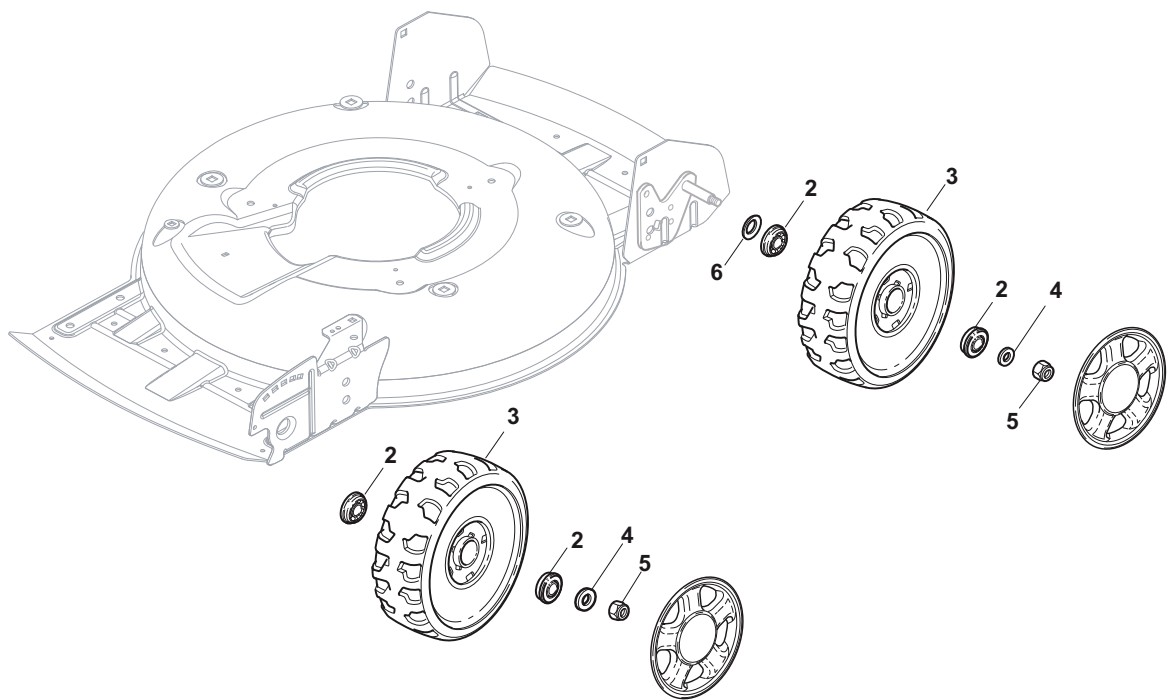




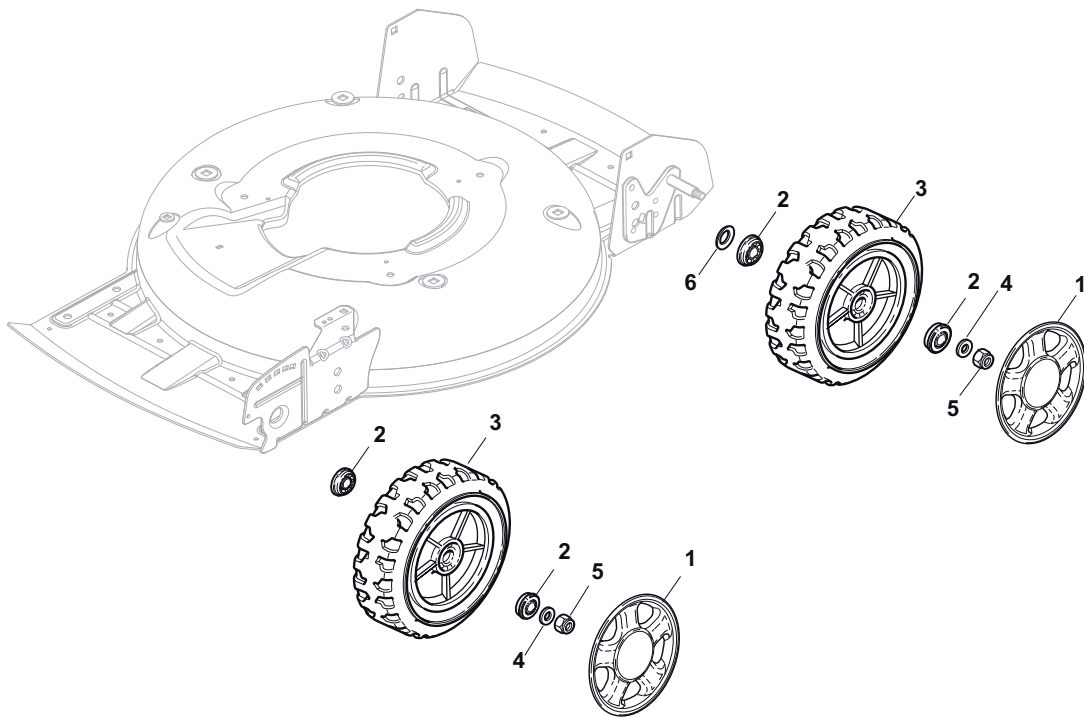
POS	PART. NO	Q.ty	DESCRIPTION	DESCRIZIONE	DESCRIPTION	BESCHREIBUNG	REMARKS
1	12738702/0	2	Screw	Vite	Vis	Schraube	
2	25160012/0	2	Washer	Rosetta	Rondelle	Scheibe	
3	22785122/0	1	Support, Battery	Supporto Batteria	Support Batterie	Halter, Batterie	
4	18120052/0	1	Battery	Batteria	Batterie	Batterie	
5	22109530/0	1	Cover	Coperchio	Couvercle	Deckel	
6	118204197/0	1	Cable, Start	Cavo Avviamento	Cable Démarrage	Kabel, Start	B&S - GGP
6	18204198/0	1	Cable, Start	Cavo Avviamento	Cable Démarrage	Kabel, Start	Honda
7	22722801/0	1	L Protection	Protezione Dx	Protection G	Linke Schutz	
8	22722800/0	1	R Protection	Protezione Sx	Protection D	Rechte Schutz	
9	18450050/0	1	Switch	Interruttore	Interrupteur	Schalter	
10	12728702/0	2	Screw	Vite	Vis	Schraube	
11	12728691/0	1	Screw	Vite	Vis	Schraube	
12	18204120/0	1	Battery Charger	Carica Batteria	Chargeur De	Ladgerät	CE
12	18204121/0	1	Battery Charger	Carica Batteria	Chargeur De	Ladgerät	UK
13	18210016/1	1	Starting Key	Chiave Avviamento	Clef A Demarrage	Schlüssel Für Start	



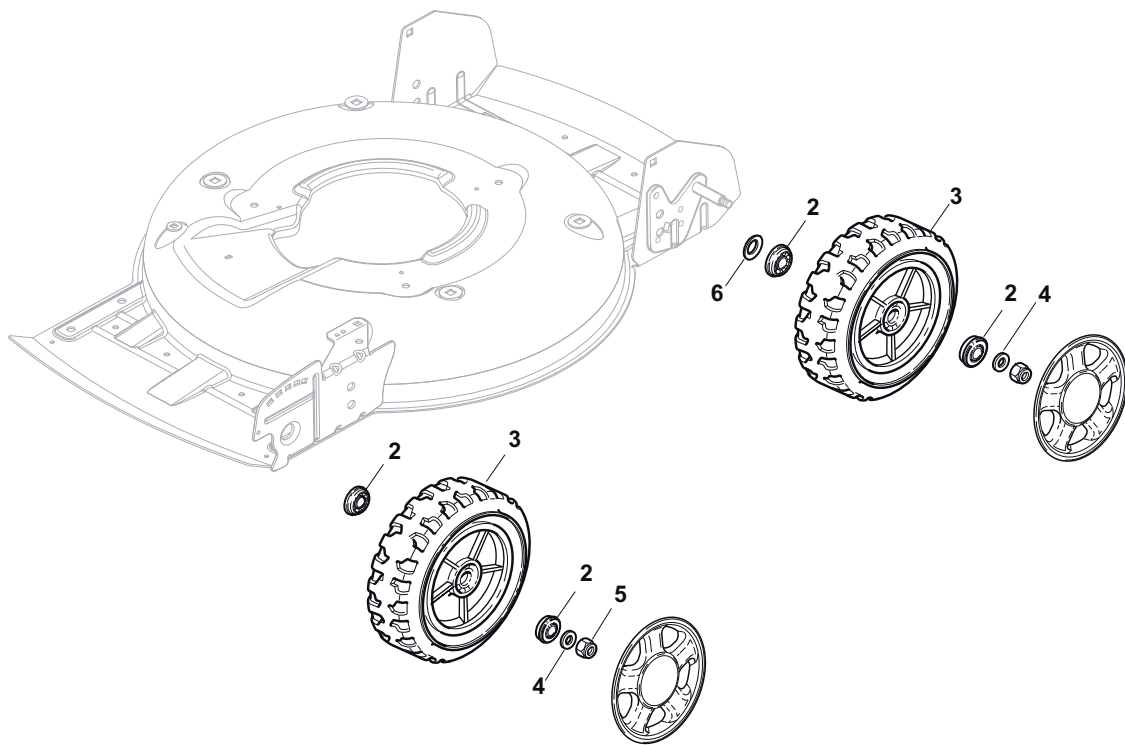
POS	PART. NO	Q.ty	DESCRIPTION	DESCRIZIONE	DESCRIPTION	BESCHREIBUNG	REMARKS
2	22034508/0	8	Bush	Bussola	Douille	Buchse	
3	22686092/0	4	Wheel Ø 190	Ruota Ø 190	Roue Ø 190	Rad Ø 190	
4	12523060/0	4	Washer	Rosetta	Rondelle	Scheibe	
5	12155000/0	4	Nut	Dado	Ecrou	Mutter	
6	22170622/0	4	Spacer	Distanziale	Entretoise	Distanzring	



POS	PART. NO	Q.ty	DESCRIPTION	DESCRIZIONE	DESCRIPTION	BESCHREIBUNG	REMARKS
2	22122200/0	8	Bearing	Cuscinetto	Coussinet	Lager	
3	22686092/0	4	Wheel Ø 190	Ruota Ø 190	Roue Ø 190	Rad Ø 190	
4	12521350/0	4	Washer	Rosetta	Rondelle	Scheibe	
5	12155000/0	4	Nut	Dado	Ecrou	Mutter	
6	22170622/0	4	Spacer	Distanziale	Entretoise	Distanzring	

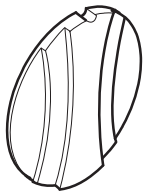
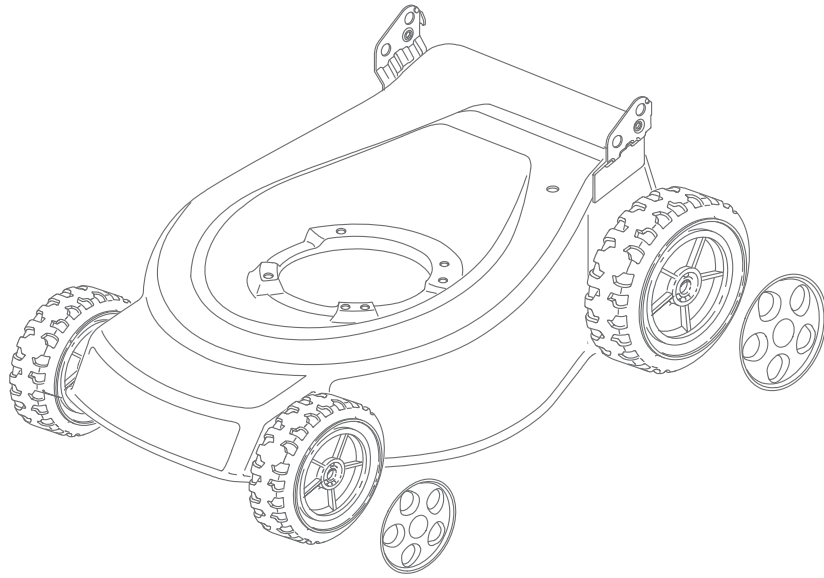


POS	PART. NO	Q.ty	DESCRIPTION	DESCRIZIONE	DESCRIPTION	BESCHREIBUNG	REMARKS
2	22122200/0	8	Bearing	Cuscinetto	Coussinet	Lager	
3	81007343/0	4	Wheel Ø 210	Ruota Ø 210	Roue Ø 210	Rad. Ø 210	
4	12521350/0	4	Washer	Rosetta	Rondelle	Scheibe	
5	12155000/0	4	Nut	Dado	Ecrou	Mutter	
6	12530150/0	2	Elastic Washer	Rosetta Elastica	Rondelle Elastique	Elastische Scheibe	





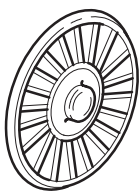
POS	PART. NO	Q.ty	DESCRIPTION	DESCRIZIONE	DESCRIPTION	BESCHREIBUNG	REMARKS
2	22122200/0	8	Bearing	Cuscinetto	Coussinet	Lager	
3	381007390/1	4	Wheel Ø 210	Ruota Ø 210	Roue Ø 210	Rad. Ø 210	
4	12521350/0	4	Washer	Rosetta	Rondelle	Scheibe	
5	12155000/0	4	Nut	Dado	Ecrou	Mutter	
6	12530150/0	2	Elastic Washer	Rosetta Elastica	Rondelle Elastique	Elastische Scheibe	



**1**



**2**



**3**



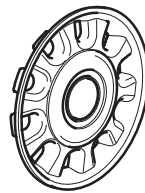
**4**



**5**



**6**

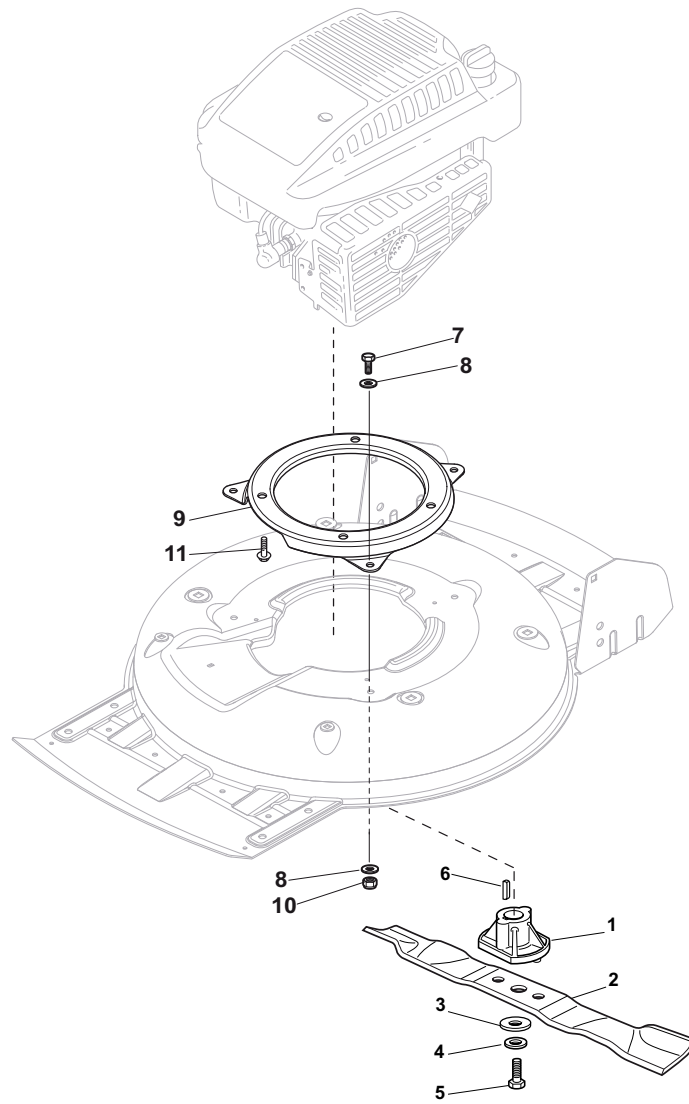


**7**

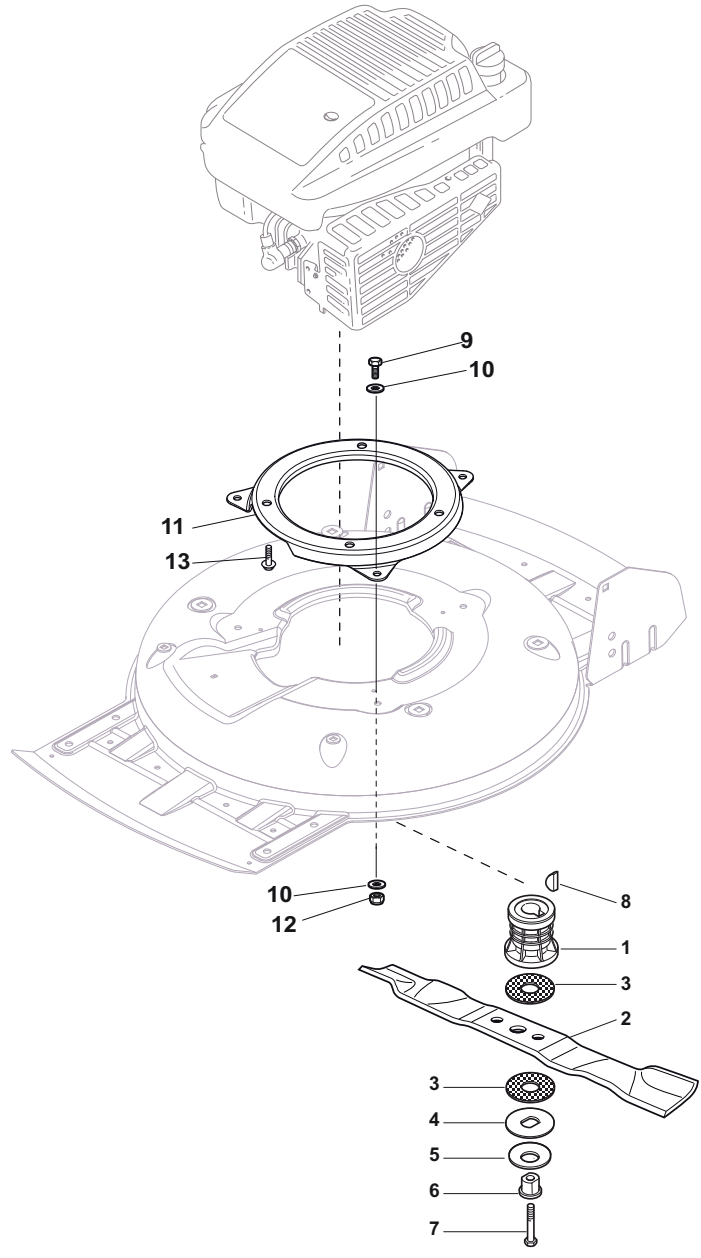


**8**

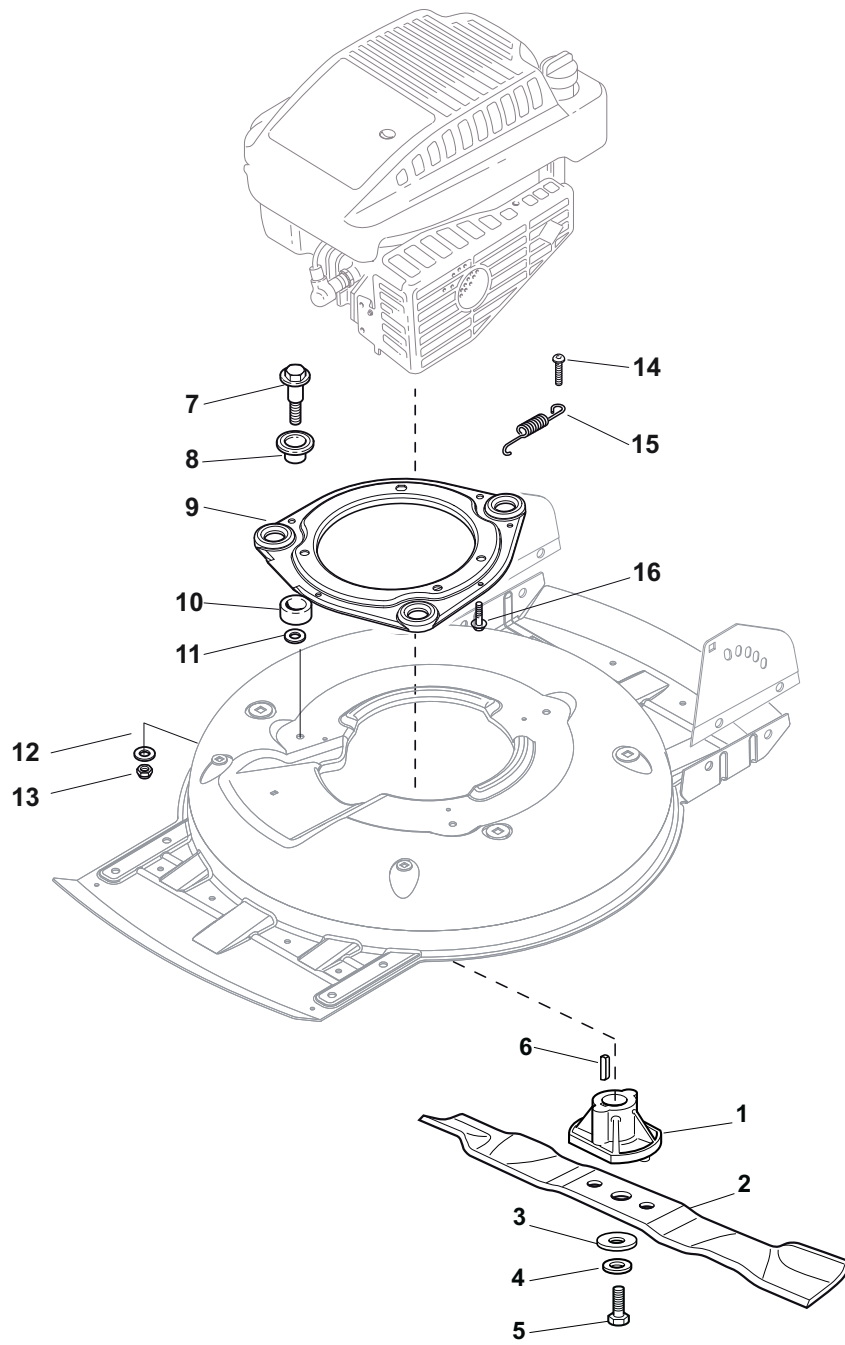
POS	PART. NO	Q.ty	DESCRIPTION	DESCRIZIONE	DESCRIPTION	BESCHREIBUNG	REMARKS
1	22110252/1	4	Hub Cap White	Coprимozzo Bianco	Couvre-Moyeu Blanc	Radkappe	
1	22110254/1	4	Hub Cap Yellow	Coprимozzo Giallo	Couvre-Moyeu Jaune	RadkappeGelbe	
1	22110255/1	4	Hub Cap Red	Coprимozzo Rosso	Couvre-Moyeu Rouge	Radkappe Rot	
2	22110344/0	4	Hub Cap White	Coprимozzo Bianco	Couvre-Moyeu Blanc	Radkappe	
2	22110395/0	4	Hub Cap Grey	Coprимozzo Grigio	Couvre-Moyeu	Radkappe	
3	22110347/0	4	Hub Cap Grey	Coprимozzo Grigio	Couvre-Moyeu	Radkappe	
4	22110381/0	4	Hub Cap Grey	Coprимozzo Grigio	Couvre-Moyeu	Radkappe	
5	22110416/0	4	Hub Cap Grey	Coprимozzo Grigio	Couvre-Moyeu	Radkappe	
6	22110491/0	4	Hub Cap Grey	Coprимozzo Grigio	Couvre-Moyeu	Radkappe	
7	22110493/0	4	Hub Cap Grey	Coprимozzo Grigio	Couvre-Moyeu	Radkappe	
8	22110495/0	4	Hub Cap Grey	Coprимozzo Grigio	Couvre-Moyeu	Radkappe	



POS	PART. NO	Q.ty	DESCRIPTION	DESCRIZIONE	DESCRIPTION	BESCHREIBUNG	REMARKS
1	22463012/2	1	Hub, Crankshaft Ø 22.2	Mozzo, Albero Motore Ø 22.2	Moyeu, Arbre Moteur Ø 22.2	Halter, Motorwelle Ø 22.2	B&S-GGP
1	122463020/1	1	Hub, Crankshaft Ø 25	Mozzo, Albero Motore Ø 25	Moyeu, Arbre Moteur Ø 25	Halter, Motorwelle Ø 25	Honda
2	81004146/0	1	Blade Standard	Coltello Standard	Lame Standard	Messer Standard	
3	22160400/0	1	Elastic Washer	Disco Elastico	Rondelle Elastique	Elastischescheibe	
4	12523080/0	1	Washer	Rosetta	Rondelle	Scheibe	
5	12735698/0	1	Screw	Vite	Vis	Schraube	
6	12139100/0	1	Feather, Crankshaft Ø 22.2	Linguetta, Albero Motore Ø 22.2	Clavette, Arbre Moteur Ø 22.2	Keil, Motorwelle Ø 22.2	B&S-GGP
6	12139150/0	1	Feather, Crankshaft Ø 25	Linguetta, Albero Motore Ø 25	Clavette, Arbre Moteur Ø 25	Keil, Motorwelle Ø 25	Honda
7	12792611/0	3	Screw	Vite	Vis	Schraube	
8	12523060/0	6	Washer	Rosetta	Rondelle	Scheibe	
9	322207219/1	1	Flange	Flangia	Bride	Flansch	
10	12293201/0	3	Nut	Dado	Ecrou	Mutter	
11	112735108/1	3	Screw	Vite	Vis	Schraube	

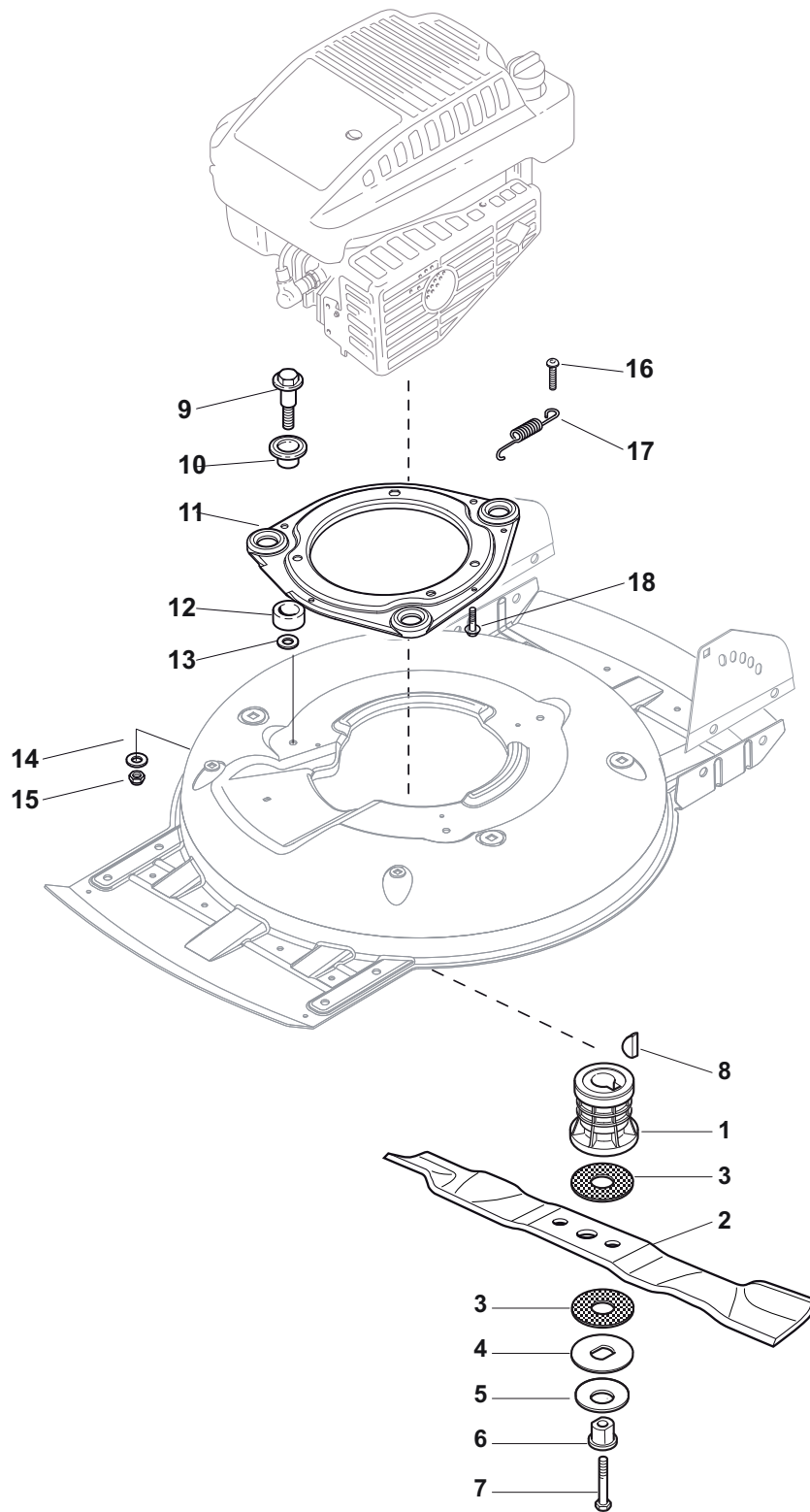


POS	PART. NO	Q.ty	DESCRIPTION	DESCRIZIONE	DESCRIPTION	BESCHREIBUNG	REMARKS
1	22465611/0	1	Hub With Pulley, Crankshaft Ø 22	Mozzo Con Puleggia, Albero Motore Ø 22	Moyeu Avec Poulie, Arbre Moteur Ø 22	Nabe Mit Scheibe, Motorwelle Ø 22	B&S-GGP
1	122465612/1	1	Hub With Pulley, Crankshaft Ø 25	Mozzo Con Puleggia, Albero Motore Ø 25	Moyeu Avec Poulie, Arbre Moteur Ø 25	Nabe Mit Scheibe, Motorwelle Ø 25	Honda
2	81004146/0	1	Blade Winged	Coltello Alettato	Lame Ailetée	Messer Flügel	
3	22672110/1	2	Clutch Washer	Rondella Frizione	Rondelle Friction	Kupplungscheibe	
4	22672105/0	1	Washer	Rosetta	Rondelle	Scheibe	
5	12508120/0	1	Cupped Spring	Molla A Tazza	Ressort	Teller Feder	
6	22041940/0	1	Clutch Bush	Bussola Frizione	Douille Friction	Kupplungsscheibe	
7	12736850/0	1	Screw	Vite	Vis	Schraube	
8	12139100/0	1	Feather, Crankshaft Ø 22.2	Linguetta, Albero Motore Ø 22.2	Clavette, Arbre Moteur Ø 22.2	Keil, Motorwelle Ø 22.2	B&S-GGP
8	12139150/0	1	Feather, Crankshaft Ø 25	Linguetta, Albero Motore Ø 25	Clavette, Arbre Moteur Ø 25	Keil, Motorwelle Ø 25	Honda
9	12792611/0	3	Screw	Vite	Vis	Schraube	
10	12523060/0	6	Washer	Rosetta	Rondelle	Scheibe	
11	322207219/1	1	Flange	Flangia	Bride	Flansch	
12	12293201/0	3	Nut	Dado	Ecrou	Mutter	
13	112735108/1	3	Screw	Vite	Vis	Schraube	





POS	PART. NO	Q.ty	DESCRIPTION	DESCRIZIONE	DESCRIPTION	BESCHREIBUNG	REMARKS
1	22463012/2	1	Hub, Crankshaft Ø 22.2	Mozzo, Albero Motore Ø 22.2	Moyeu, Arbre Moteur Ø 22.2	Halter, Motorwelle Ø 22.2	B&S-GGP
1	122463020/1	1	Hub, Crankshaft Ø 25	Mozzo, Albero Motore Ø 25	Moyeu, Arbre Moteur Ø 25	Halter, Motorwelle Ø 25	Honda
2	81004146/0	1	Blade Standard	Coltello Standard	Lame Standard	Messer Standard	
3	22160400/0	1	Elastic Washer	Disco Elastico	Rondelle Elastique	Elastischescheibe	
4	12523080/0	1	Washer	Rosetta	Rondelle	Scheibe	
5	12735698/0	1	Screw	Vite	Vis	Schraube	
6	12139100/0	1	Feather, Crankshaft Ø 22.2	Linguetta, Albero Motore Ø 22.2	Clavette, Arbre Moteur Ø 22.2	Keil, Motorwelle Ø 22.2	B&S-GGP
6	12139150/0	1	Feather, Crankshaft Ø 25	Linguetta, Albero Motore Ø 25	Clavette, Arbre Moteur Ø 25	Keil, Motorwelle Ø 25	Honda
7	22524329/0	3	Pin	Perno	Pivot	Bolzen	
8	22672201/0	3	Washer	Rosetta	Rondelle	Scheibe	
9	22207225/0	1	Flange, Black	Flangia, Nero	Bride, Noir	Flansch, Schwarz	
9	81207221/1	1	Flange, Yellow	Flangia, Giallo	Bride, Jaune	Flansch, Gelb	
10	22250012/0	3	Grommet	Gommino	Caoutchouc	Gummi	
11	22671651/0	3	Washer	Rosetta	Rondelle	Scheibe	
12	12521350/0	3	Washer	Rosetta	Rondelle	Scheibe	
13	12155000/0	3	Nut	Dado	Ecrou	Mutter	
14	12791400/0	1	Screw	Vite	Vis	Schraube	
15	22450444/0	1	Spring	Molla	Ressort	Feder	
16	112735108/1	3	Screw	Vite	Vis	Schraube	



POS	PART. NO	Q.ty	DESCRIPTION	DESCRIZIONE	DESCRIPTION	BESCHREIBUNG	REMARKS
1	22465611/0	1	Hub With Pulley, Crankshaft Ø 22	Mozzo Con Puleggia, Albero Motore Ø 22	Moyeu Avec Poulie, Arbre Moteur Ø 22	Nabe Mit Scheibe, Motorwelle Ø 22	GGP-B&S
1	122465612/1	1	Hub With Pulley, Crankshaft Ø 25	Mozzo Con Puleggia, Albero Motore Ø 25	Moyeu Avec Poulie, Arbre Moteur Ø 25	Nabe Mit Scheibe, Motorwelle Ø 25	Honda
2	81004146/0	1	Blade Winged	Coltello Alettato	Lame Ailettée	Messer Flügel	
3	22672110/1	2	Clutch Washer	Rondella Frizione	Rondelle Friction	Kupplungscheibe	
4	22672105/0	1	Washer	Rosetta	Rondelle	Scheibe	
5	12508120/0	1	Cupped Spring	Molla A Tazza	Ressort	Teller Feder	
6	22041940/0	1	Clutch Bush	Bussola Frizione	Douille Friction	Kupplungsscheibe	
7	12736850/0	1	Screw	Vite	Vis	Schraube	
8	12139100/0	1	Feather, Crankshaft Ø 22.2	Linguetta, Albero Motore Ø 22.2	Clavette, Arbre Moteur Ø 22.2	Keil, Motorwelle Ø 22.2	GGP-B&S
8	12139150/0	1	Feather, Crankshaft Ø 25	Linguetta, Albero Motore Ø 25	Clavette, Arbre Moteur Ø 25	Keil, Motorwelle Ø 25	Honda
9	22524329/0	3	Pin	Perno	Pivot	Bolzen	
10	22672201/0	3	Washer	Rosetta	Rondelle	Scheibe	
11	22207225/0	1	Flange, Black	Flangia, Nero	Bride, Noir	Flansch, Schwarz	
11	81207221/1	1	Flange, Yellow	Flangia, Giallo	Bride, Jaune	Flansch, Gelb	
12	22250012/0	3	Grommet	Gommino	Caoutchouc	Gummi	
13	22671651/0	3	Washer	Rosetta	Rondelle	Scheibe	
14	22671651/0	3	Washer	Rosetta	Rondelle	Scheibe	
15	12155000/0	3	Nut	Dado	Ecrou	Mutter	
16	12791400/0	1	Screw	Vite	Vis	Schraube	
17	22450444/0	1	Spring	Molla	Ressort	Feder	
18	112735108/1	3	Screw	Vite	Vis	Schraube	