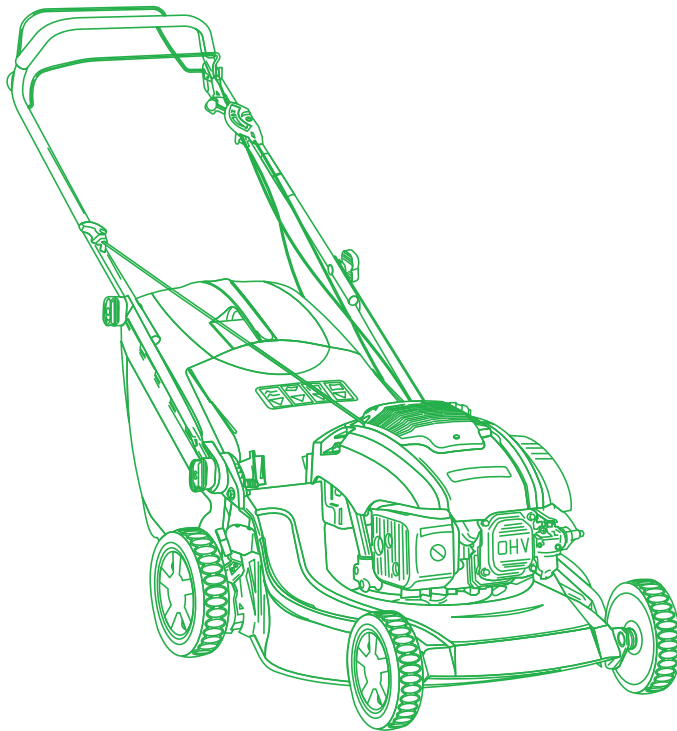


# ILLUSTRATED PARTS LIST

## CAL 480 TR



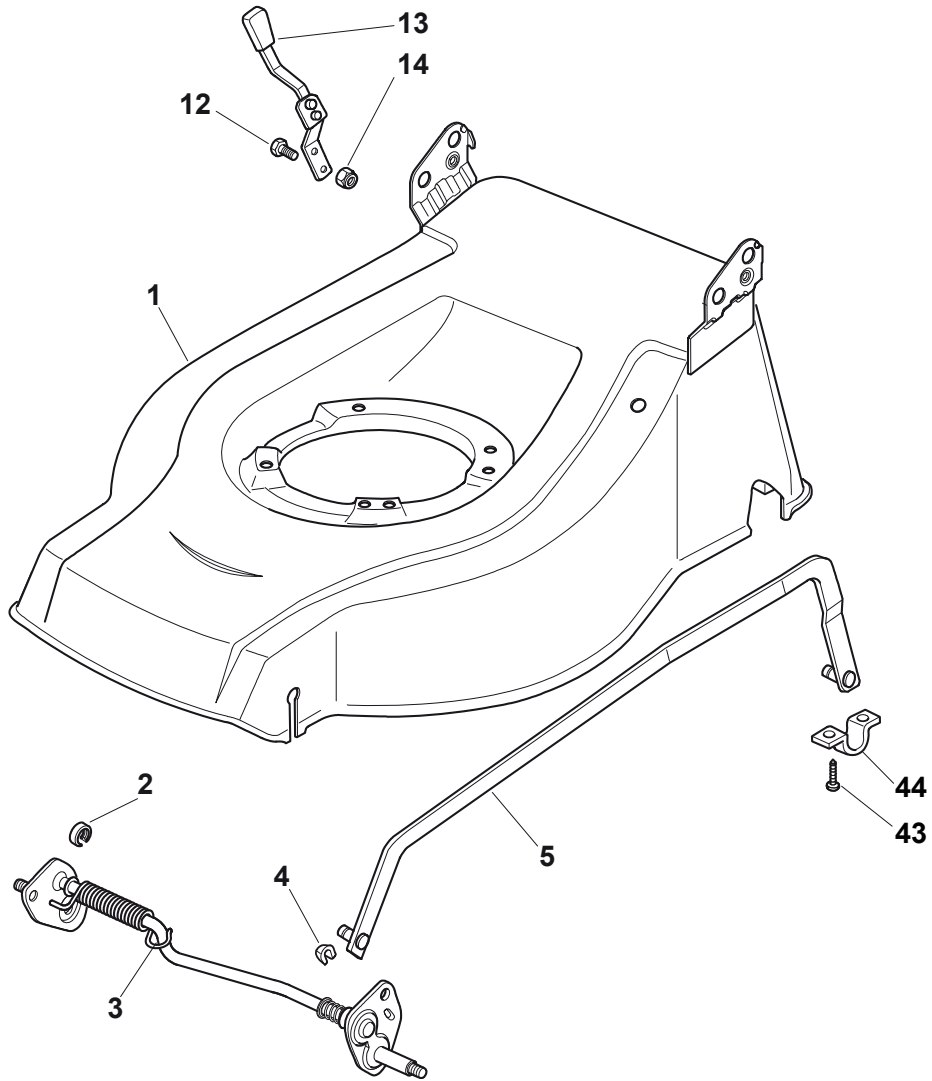
- Use GLOBAL GARDEN PRODUCT Genuine Spare Parts specified in the parts list for repair and/or replacement.
- The contents described in the parts list may change due to improvement.
- The drawings of the spare parts are only indicative and might not represent the part in question exactly.
- The indications "right" - "left" - "front" - "rear" refer to the position of the operator when using the machine.
- When placing orders of parts for repair and/or replacement, make sure that the illustrated parts list is the one applying to the machine's year of manufacture, as shown on the identification plate attached to the machine.

© Copyright 2012 Global Garden Products

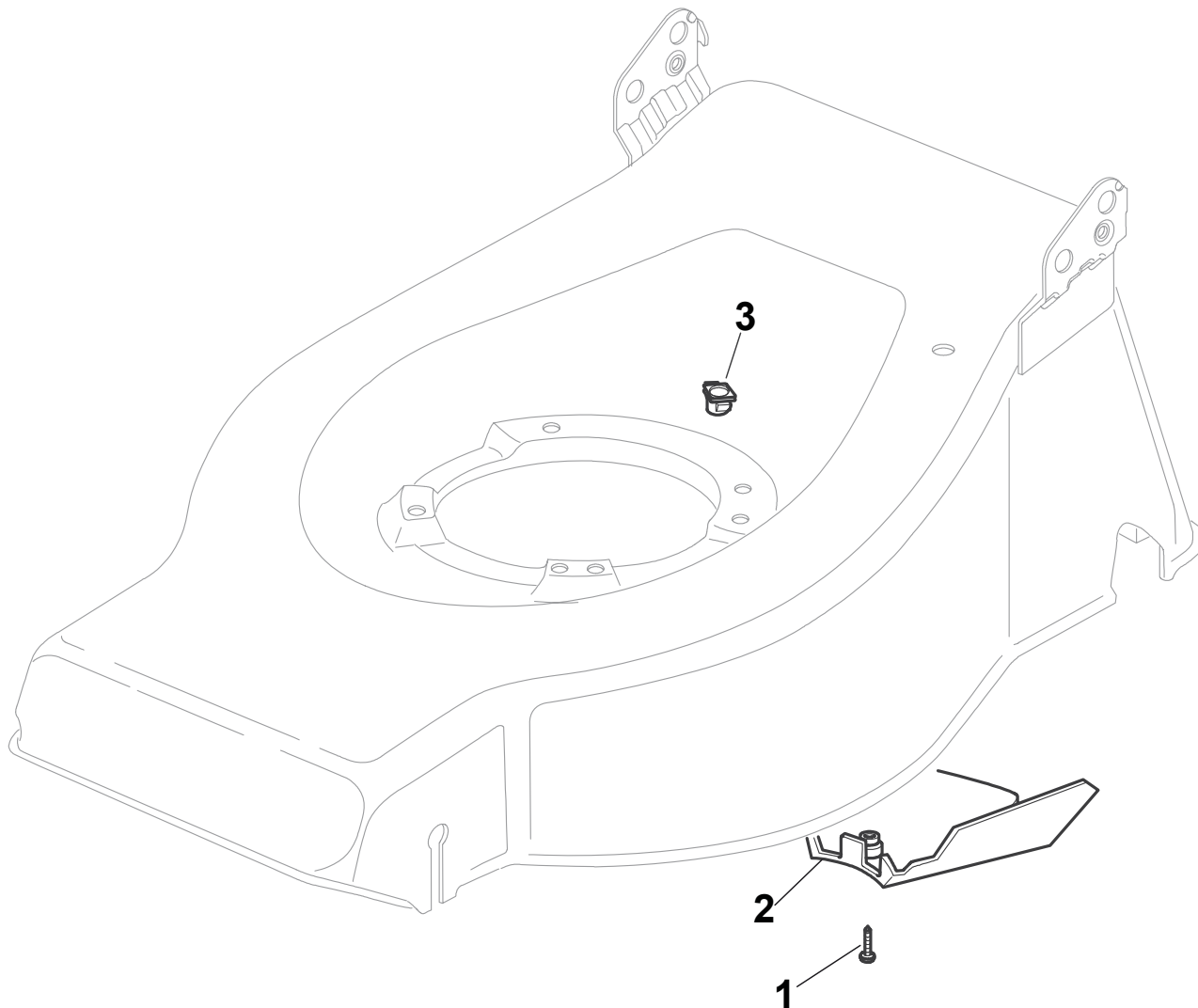
All content is subject to copyright by Global Garden Products and may not be reproduced in whole or in part by any means, electronic or otherwise, without prior written approval.

THIS INFORMATION IS NOT INTENDED FOR SALE OR RESALE, AND THIS NOTICE MUST REMAIN ON ALL COPIES.

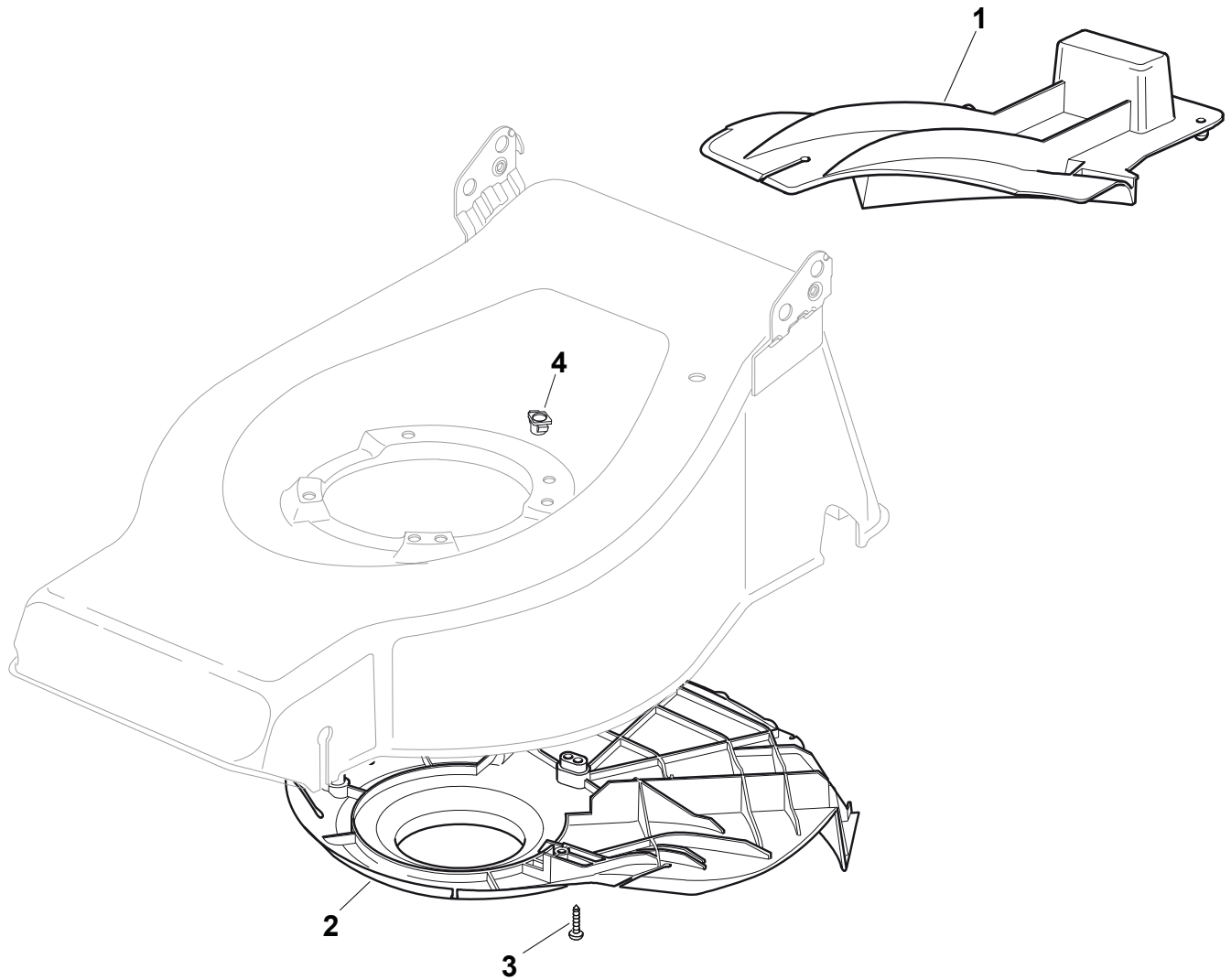
  
GLOBAL GARDEN PRODUCTS



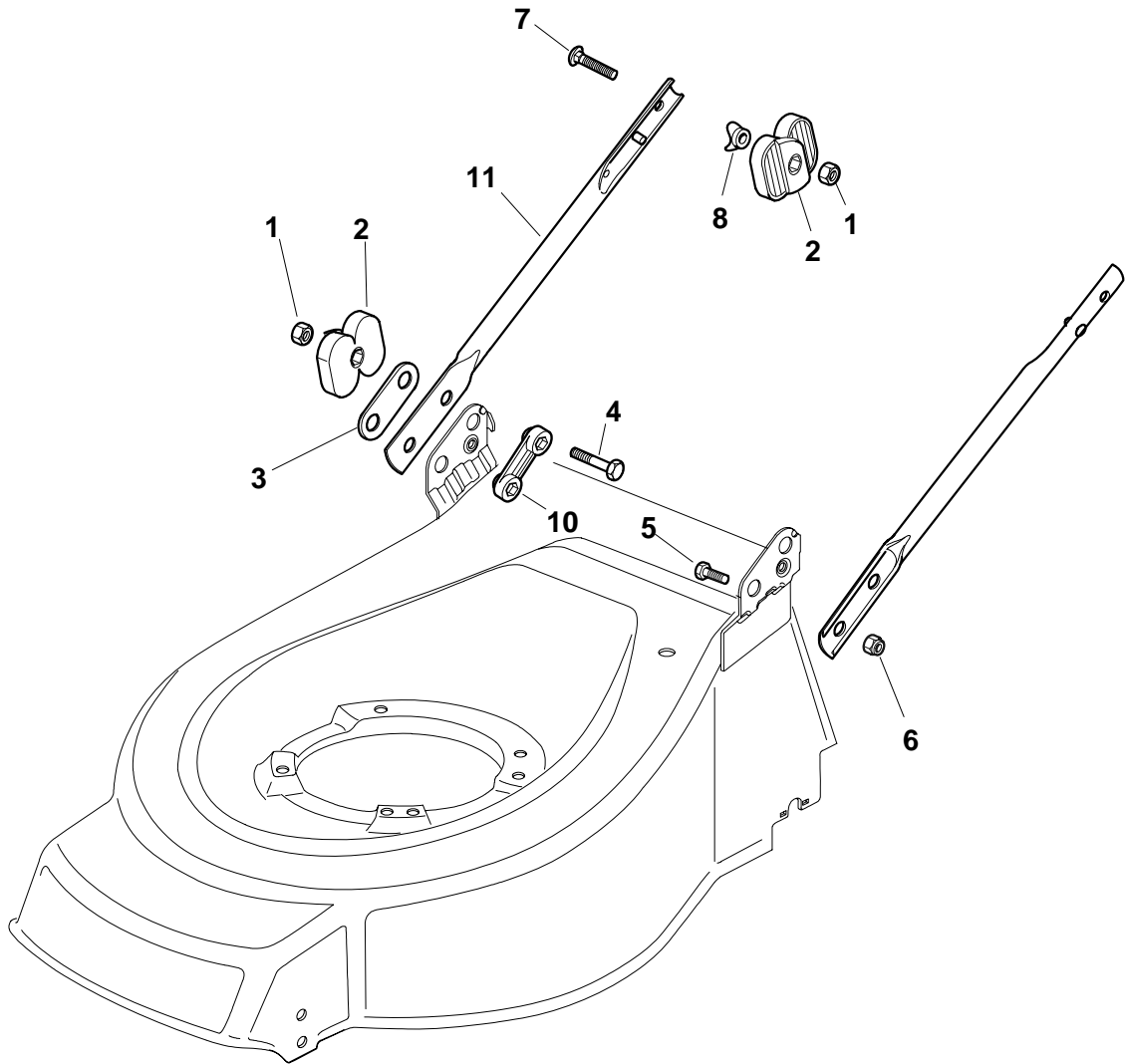
| N. | CODE        | Q.TY | DESCRIZIONE                 | DESCRIPTION              | DESCRIPTION                   | BESCHREIBUNG            | REMARK |
|----|-------------|------|-----------------------------|--------------------------|-------------------------------|-------------------------|--------|
| 1  | 81002424/1  | 1    | Chassis Rosso               | Deck Red                 | Châssis Rouge                 | Gehäuse Rot             |        |
| 2  | 22171002/0  | 1    | Distanziale                 | Spacer                   | Entretoise                    | Distanzring             |        |
| 3  | 81000141/1  | 1    | Asse Ruote Anteriori        | Axle, Front Wheels       | Axe Roues Avant               | Achse, Vorderrad        |        |
| 4  | 112436051/0 | 2    | Piastrina                   | Plate                    | Plaquette                     | Plättchen               |        |
| 5  | 381002020/0 | 1    | Asta Comando Regol. Altezza | Rod, Height Adjustment   | Tige Commande Reglage Hauteur | Stange, Höheverstellung |        |
| 12 | 12789000/0  | 2    | Vite                        | Screw                    | Vis                           | Schraube                |        |
| 13 | 81003283/1  | 1    | Leva Regolazione Altezza    | Lever, Height Adjustment | Levier, Reglage Hauteur       | Hebel, Höheverstellung  |        |
| 14 | 12154320/0  | 2    | Dado                        | Nut                      | Ecrou                         | Mutter                  |        |
| 25 | 12530150/0  | 2    | Rosetta Elastica            | Elastic Washer           | Rondelle Elastique            | Elastische Scheibe      |        |
| 43 | 12731350/0  | 4    | Vite                        | Screw                    | Vis                           | Schraube                |        |
| 44 | 22545152/0  | 2    | Piastrina                   | Plate                    | Plaquette                     | Platte                  |        |



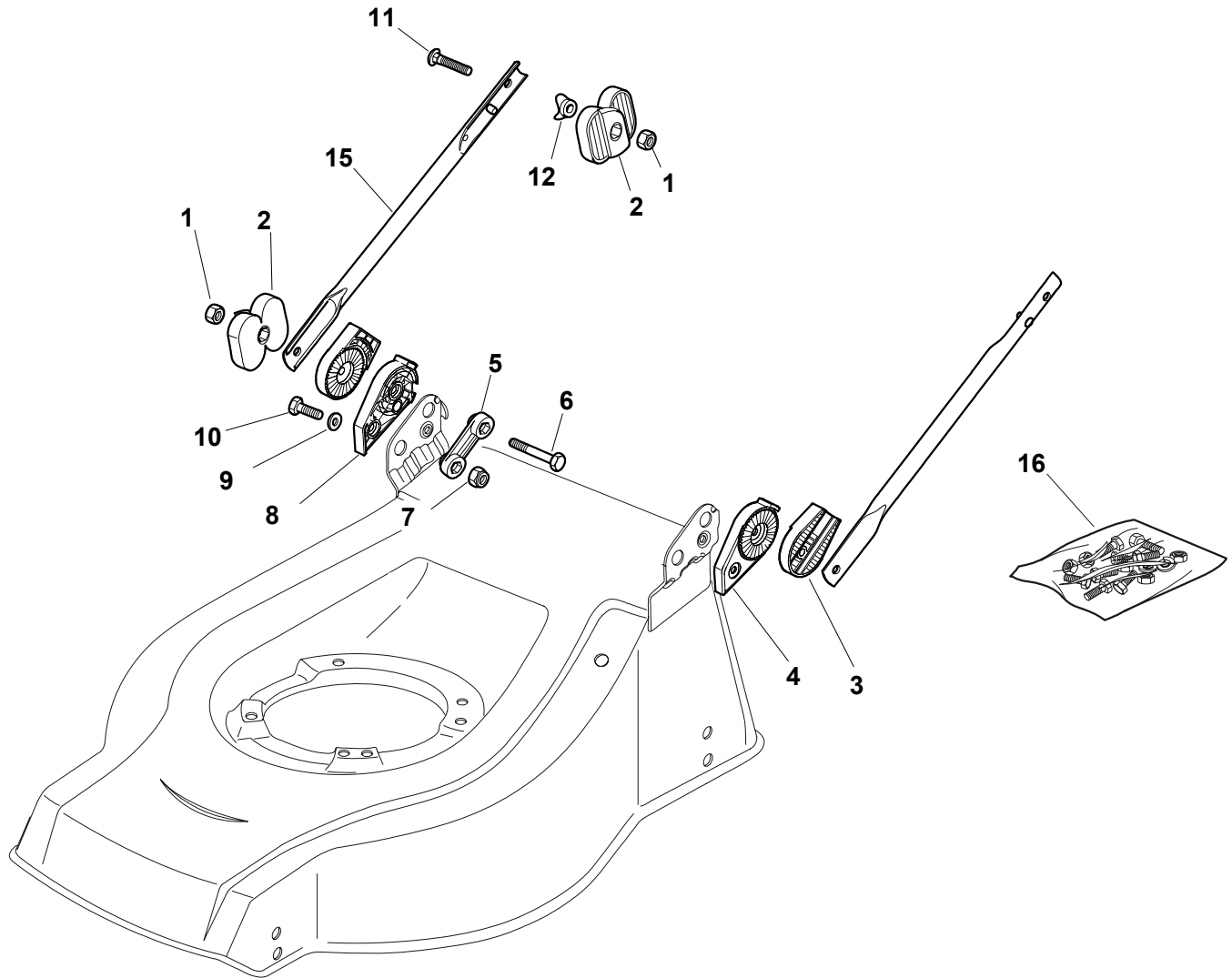
| N. | CODE       | Q.TY | DESCRIZIONE      | DESCRIPTION      | DESCRIPTION | BESCHREIBUNG   | REMARK    |
|----|------------|------|------------------|------------------|-------------|----------------|-----------|
| 1  | 12727791/0 | 1    | Vite             | Screw            | Vis         | Schraube       |           |
| 1  | 12727791/0 | 1    | Vite             | Screw            | Vis         | Schraube       | 430 - 480 |
| 1  | 12728530/0 | 1    | Vite             | Screw            | Vis         | Schraube       | Mulching  |
| 2  | 22060195/0 | 1    | Carter Cinghia   | Protection, Belt | Protection  | Schutz, Riemen |           |
| 3  | 22291150/0 | 1    | Inserto In Gomma | Rubber Insert    | Insert De   | Gummi Einsatz  |           |



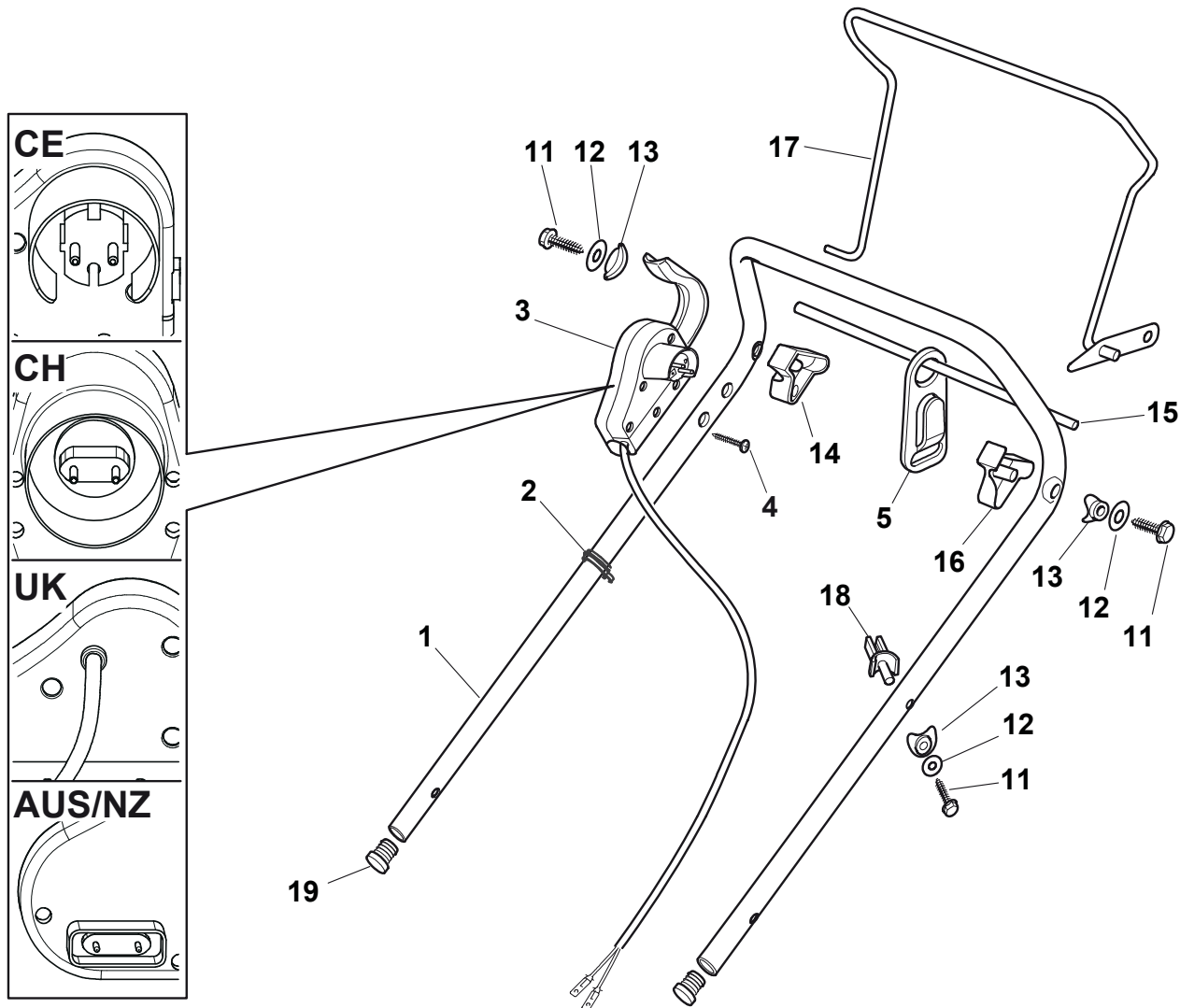
| N. | CODE       | Q.TY | DESCRIZIONE     | DESCRIPTION   | DESCRIPTION | BESCHREIBUNG  | REMARK |
|----|------------|------|-----------------|---------------|-------------|---------------|--------|
| 1  | 22140223/0 | 1    | Deflettore      | Deflector     | Deflecteur  | Deflektor     |        |
| 2  | 22060198/0 | 1    | Carter          | Protection    | Protection  | Schutz        |        |
| 3  | 12728530/0 | 3    | Vite            | Screw         | Vis         | Schraube      |        |
| 4  | 22291150/0 | 1    | Insero In Gomma | Rubber Insert | Insert De   | Gummi Einsatz |        |



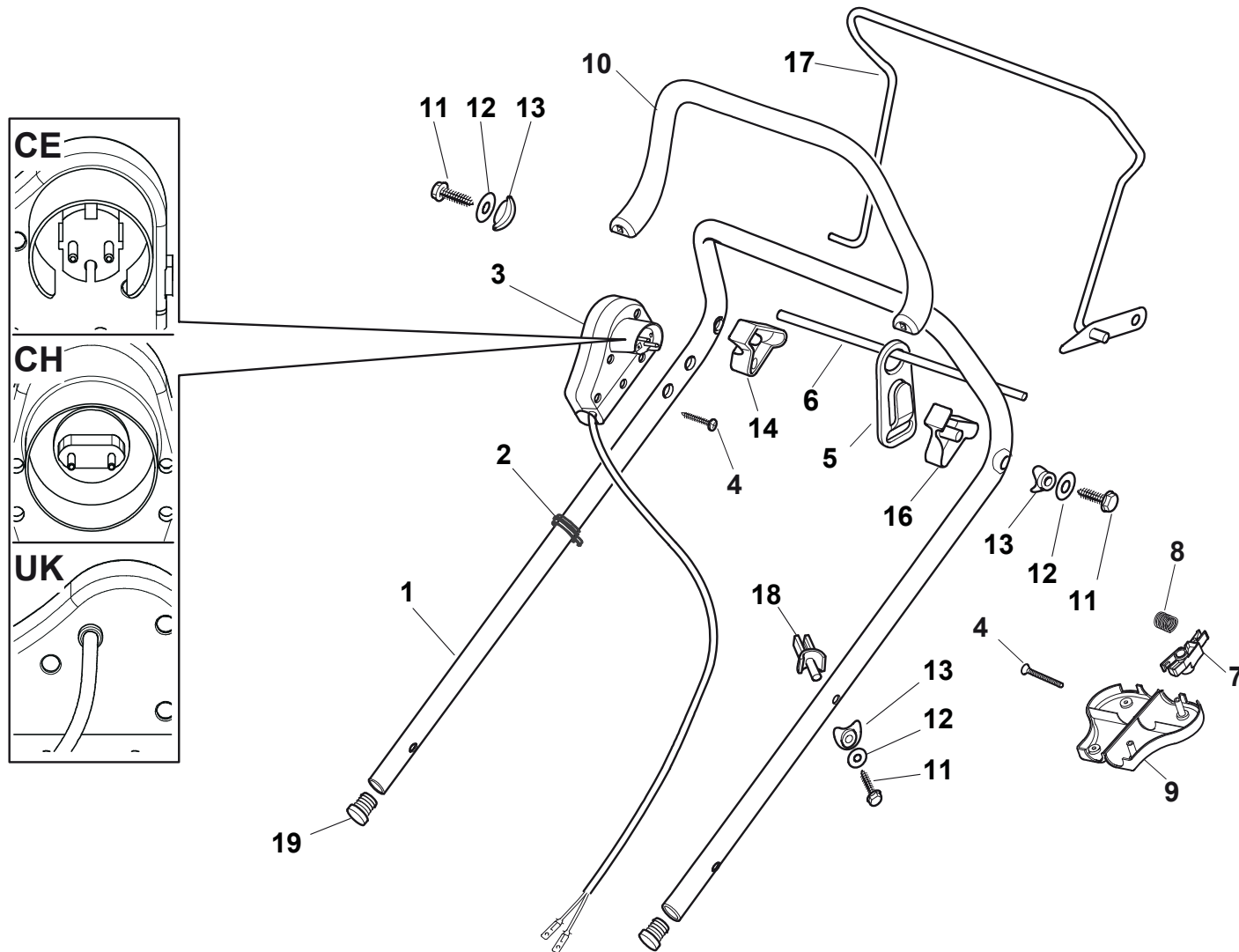
| N. | CODE       | Q.TY | DESCRIZIONE       | DESCRIPTION        | DESCRIPTION                  | BESCHREIBUNG    | REMARK |
|----|------------|------|-------------------|--------------------|------------------------------|-----------------|--------|
| 1  | 12293202/0 | 4    | Dado              | Nut                | Ecrou                        | Mutter          |        |
| 2  | 22399803/0 | 4    | Manopolina        | Knob               | Poignée                      | Griff           |        |
| 3  | 22551574/0 | 2    | Piastrina Esterna | Plate, Outside     | Plaquette Externe            | Platte, Äußere  |        |
| 4  | 12691115/0 | 2    | Vite              | Screw              | Vis                          | Schraube        |        |
| 5  | 12793300/0 | 2    | Vite              | Screw              | Vis                          | Schraube        |        |
| 6  | 12155000/0 | 2    | Dado              | Nut                | Ecrou                        | Mutter          |        |
| 7  | 12819125/0 | 2    | Vite              | Screw              | Vis                          | Schraube        |        |
| 8  | 22680006/1 | 2    | Rosetta           | Washer             | Rondelle                     | Scheibe         |        |
| 10 | 22551575/0 | 2    | Piastrina Interna | Plate, Inside      | Plaquette Interne            | Platte, Innere  |        |
| 11 | 81006973/0 | 2    | Manico, Parte Inf | Handle, Lower Part | Mancheron, Partie Inferieure | Holm, Unterteil |        |



| N. | CODE       | Q.TY | DESCRIZIONE         | DESCRIPTION         | DESCRIPTION                  | BESCHREIBUNG     | REMARK |
|----|------------|------|---------------------|---------------------|------------------------------|------------------|--------|
| 1  | 12293202/0 | 4    | Dado                | Nut                 | Ecrou                        | Mutter           |        |
| 2  | 22399803/0 | 4    | Manopolina          | Knob                | Poignée                      | Griff            |        |
| 3  | 22785081/1 | 2    | Supporto Esterno    | Support, External   | Support Externe              | Halter, Außere   |        |
| 4  | 22785083/1 | 1    | Supporto Interno Sx | Support, L Internal | Support Interne G            | Halter, Innere L |        |
| 5  | 22551575/0 | 2    | Piastrina Interna   | Plate, Inside       | Plaquette Interne            | Platte, Innere   |        |
| 6  | 12691810/0 | 2    | Vite                | Screw               | Vis                          | Schraube         |        |
| 7  | 12155000/0 | 2    | Dado                | Nut                 | Ecrou                        | Mutter           |        |
| 8  | 22785082/0 | 1    | Supporto Interno Dx | Support, R Internal | Support Interne D            | Halter, Innere R |        |
| 9  | 12521350/0 | 2    | Rosetta             | Washer              | Rondelle                     | Scheibe          |        |
| 10 | 12793301/0 | 2    | Vite                | Screw               | Vis                          | Schraube         |        |
| 11 | 12819125/0 | 2    | Vite                | Screw               | Vis                          | Schraube         |        |
| 12 | 22680006/1 | 2    | Rosetta             | Washer              | Rondelle                     | Scheibe          |        |
| 15 | 81006531/0 | 2    | Manico, Parte Inf   | Handle, Lower Part  | Mancheron, Partie Inferieure | Holm, Unterteil  |        |
| 16 | 81008633/0 | 1    | Dotazione Viteria   | Outfit, Screws      | Dotation Visserie            | Satz, Schrauben  |        |

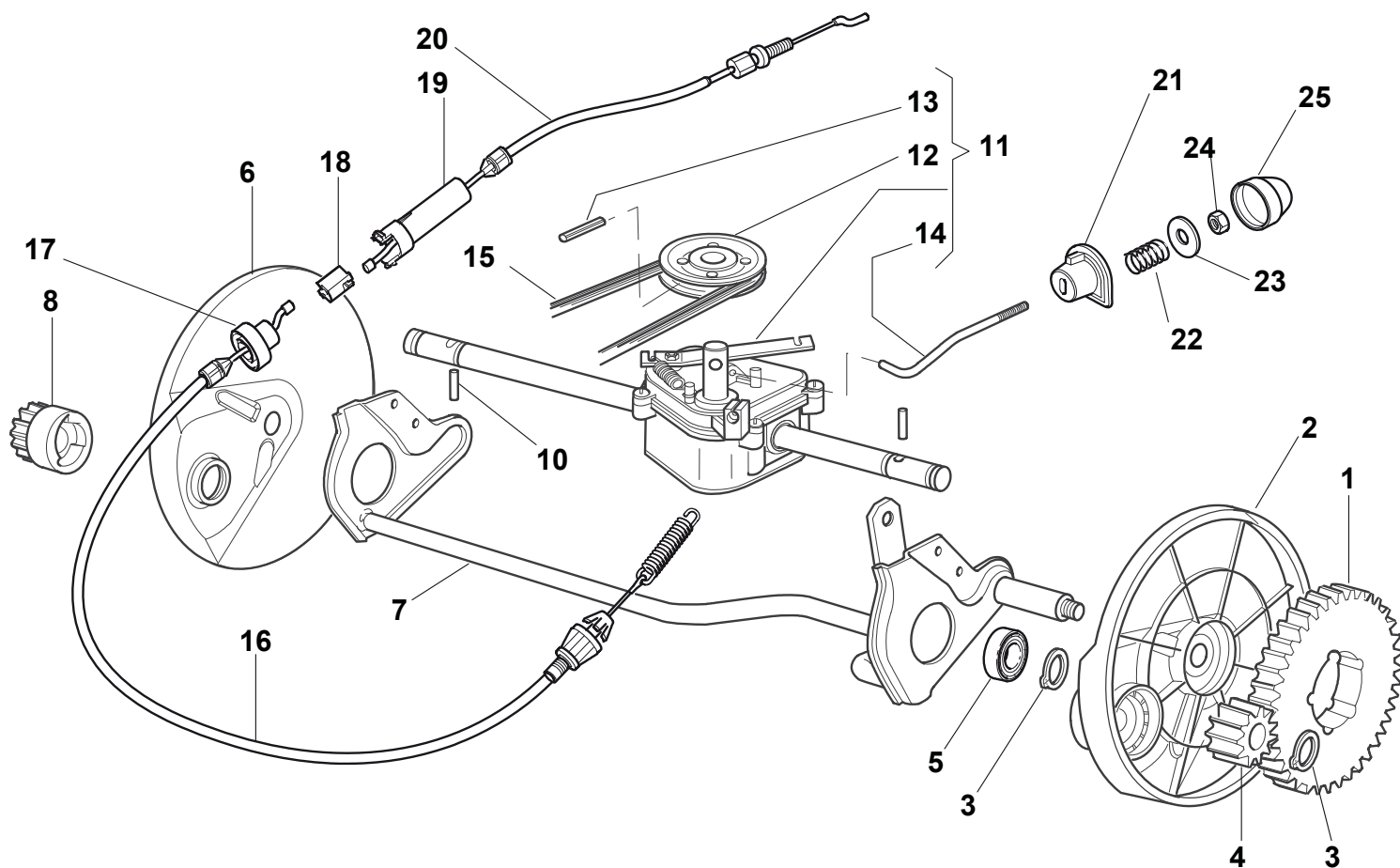


| N. | CODE        | Q.TY | DESCRIZIONE       | DESCRIPTION        | DESCRIPTION                  | BESCHREIBUNG     | REMARK |
|----|-------------|------|-------------------|--------------------|------------------------------|------------------|--------|
| 1  | 81006604/0  | 1    | Manico, Parte Sup | Handle, Upper Part | Mancheron, Partie Superieure | Holm, Oberteil   |        |
| 2  | 22192000/1  | 2    | Fascetta          | Anchor Clamp       | Collier Ancrage              | Bowdenzughalter  |        |
| 3  | 18710628/0  | 1    | Salvatore         | Dead Hand Switch   | Int. Main Morte              | Tot Manschalter  | AUS/NZ |
| 3  | 81600500/1  | 1    | Salvatore         | Dead Hand Switch   | Int. Main Morte              | Tot Manschalter  | CE     |
| 3  | 81600501/1  | 1    | Salvatore         | Dead Hand Switch   | Int. Main Morte              | Tot Manschalter  | CH     |
| 3  | 81600502/1  | 1    | Salvatore         | Dead Hand Switch   | Int. Main Morte              | Tot Manschalter  | UK     |
| 4  | 12728701/0  | 2    | Vite              | Screw              | Vis                          | Schraube         |        |
| 5  | 22195101/4  | 1    | Fermacavo         | Fairlead           | Fixation Cable               | Kabelbefestigung |        |
| 11 | 12735103/0  | 3    | Vite              | Screw              | Vis                          | Schraube         |        |
| 12 | 12523040/0  | 3    | Rosetta           | Washer             | Rondelle                     | Scheibe          |        |
| 13 | 22680006/1  | 3    | Rosetta           | Washer             | Rondelle                     | Scheibe          |        |
| 14 | 322806518/2 | 1    | Supporto Dx       | Support, R         | Support D                    | Halter, Rechter  |        |
| 15 | 22020320/0  | 1    | Aggancio          | Fairlead Bearing   | Support Serrecable           | Kabelhalter      |        |
| 16 | 322806519/2 | 1    | Supporto Sx       | Support, L         | Support G                    | Halter, Linker   |        |
| 17 | 81001245/1  | 1    | Leva Trazione     | Driving Lever      | Levier Traction              | Antriebshebel    |        |
| 18 | 22806520/0  | 1    | Supporto Registro | Support, Adjuster  | Support Ecrou Reg.           | Halter, Regler   |        |
| 19 | 18566112/0  | 2    | Puntale           | Cap                | Bouchon                      | Gummistopfen     |        |

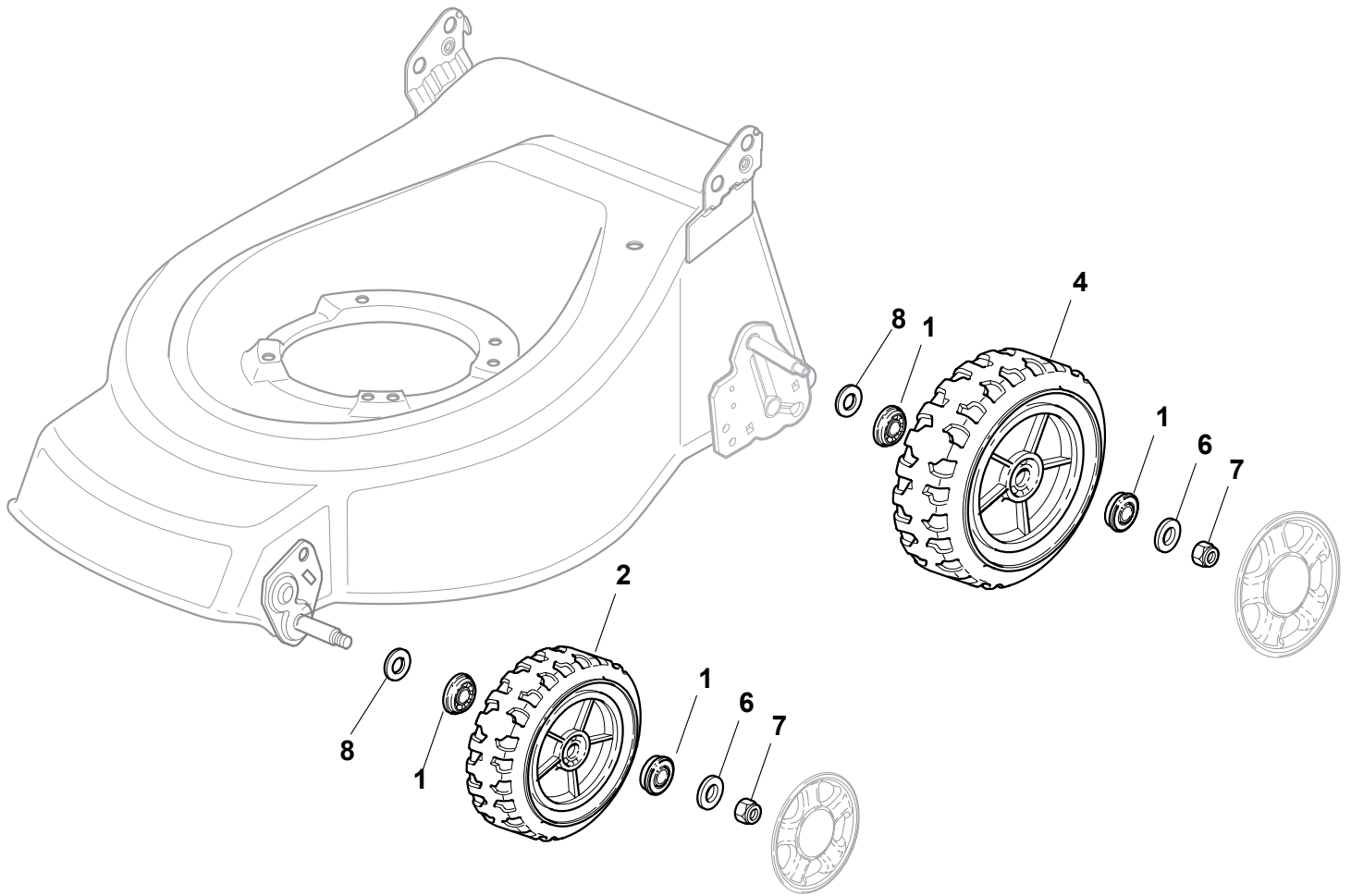


| N. | CODE        | Q.TY | DESCRIZIONE               | DESCRIPTION           | DESCRIPTION                  | BESCHREIBUNG        | REMARK |
|----|-------------|------|---------------------------|-----------------------|------------------------------|---------------------|--------|
| 1  | 81006604/0  | 1    | Manico, Parte Sup         | Handle, Upper Part    | Mancheron, Partie Superieure | Holm, Oberteil      |        |
| 2  | 22192000/1  | 2    | Fascetta                  | Anchor Clamp          | Collier Ancrage              | Bowdenzughalter     |        |
| 3  | 381600503/3 | 1    | Salvatore                 | Dead Hand Switch      | Int. Main Morte              | Tot Manschalter     | CE     |
| 3  | 381600504/3 | 1    | Salvatore                 | Dead Hand Switch      | Int. Main Morte              | Tot Manschalter     | CH     |
| 3  | 381600505/3 | 1    | Salvatore                 | Dead Hand Switch      | Int. Main Morte              | Tot Manschalter     | UK     |
| 4  | 12728701/0  | 4    | Vite                      | Screw                 | Vis                          | Schraube            |        |
| 5  | 22195101/4  | 1    | Fermacavo                 | Fairlead              | Fixation Cable               | Kabelbefestigung    |        |
| 6  | 22010251/0  | 1    | Asta Aggancio Fermacavo   | Rod, Fairlead Bearing | Tige Support Serrecable      | Stange, Kabelhalter |        |
| 7  | 322230350/1 | 1    | Fulcro                    | Fulcrum Pin           | Point D'Appui                | Gelenkpunkt         |        |
| 8  | 22450115/0  | 1    | Molla                     | Spring                | Ressort                      | Feder               |        |
| 9  | 322785144/1 | 1    | Supporto                  | Support               | Support                      | Halter              |        |
| 10 | 322322881/1 | 1    | Leva Freno Motore, Nero   | Lever, Engine Brake   | Levier Frein Moteur          | Hebel, Motorbremse  |        |
| 10 | 322322885/1 | 1    | Leva Freno Motore, Giallo | Lever, Engine Brake   | Levier Frein Moteur          | Hebel, Motorbremse  |        |
| 11 | 12735103/0  | 3    | Vite                      | Screw                 | Vis                          | Schraube            |        |
| 12 | 12523040/0  | 3    | Rosetta                   | Washer                | Rondelle                     | Scheibe             |        |
| 13 | 22680006/1  | 3    | Rosetta                   | Washer                | Rondelle                     | Scheibe             |        |
| 14 | 322806518/2 | 1    | Supporto Dx               | Support, R            | Support D                    | Halter, Rechter     |        |
| 15 | 22020320/0  | 1    | Aggancio                  | Fairlead Bearing      | Support Serrecable           | Kabelhalter         |        |
| 16 | 322806519/2 | 1    | Supporto Sx               | Support, L            | Support G                    | Halter, Linker      |        |
| 17 | 81001245/1  | 1    | Leva Trazione             | Driving Lever         | Levier Traction              | Antriebhebel        |        |
| 18 | 22806520/0  | 1    | Supporto Registro         | Support, Adjuster     | Support Ecrou Reg.           | Halter, Regler      |        |
| 19 | 18566112/0  | 2    | Puntale                   | Cap                   | Bouchon                      | Gummistopfen        |        |

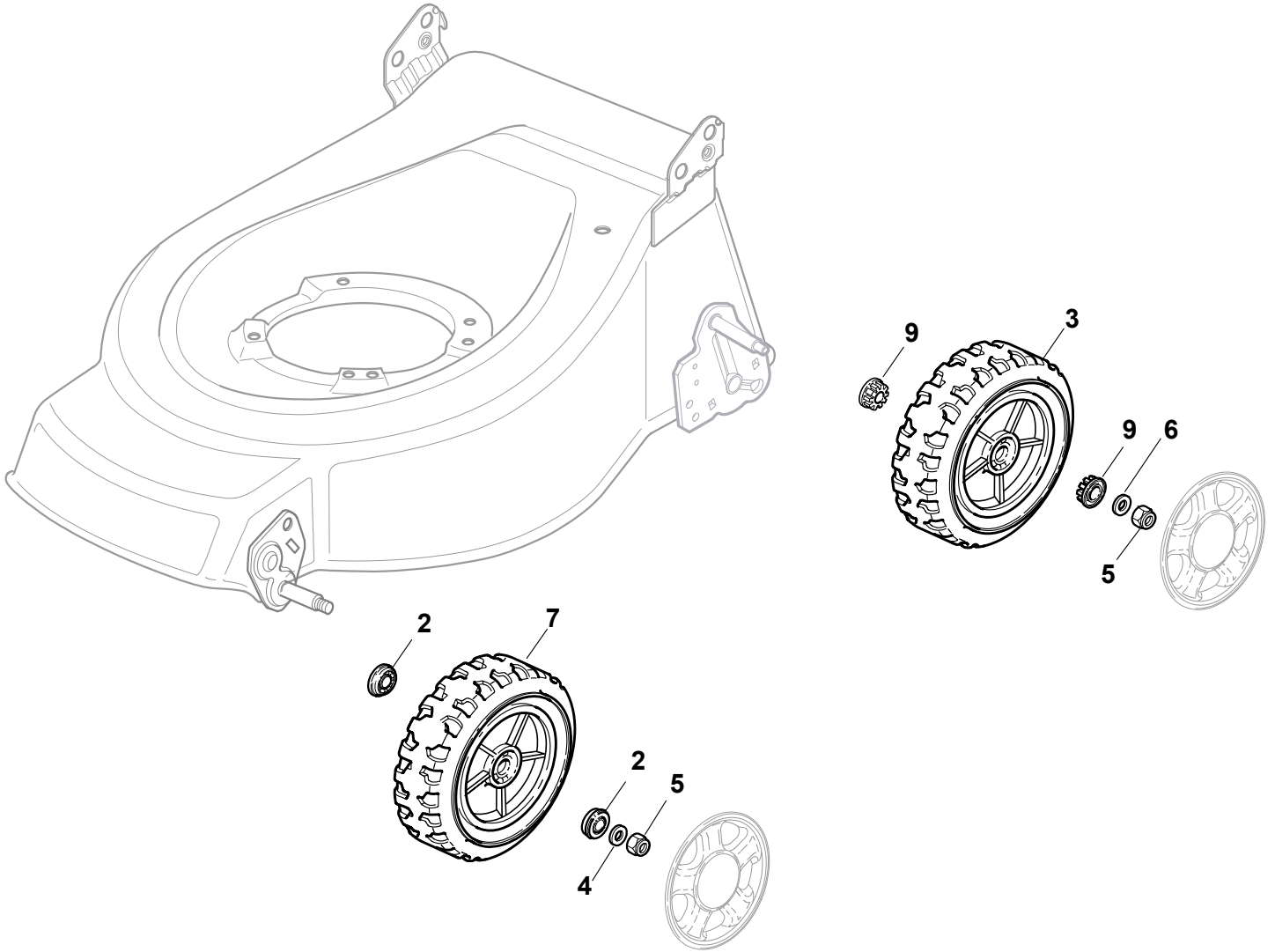




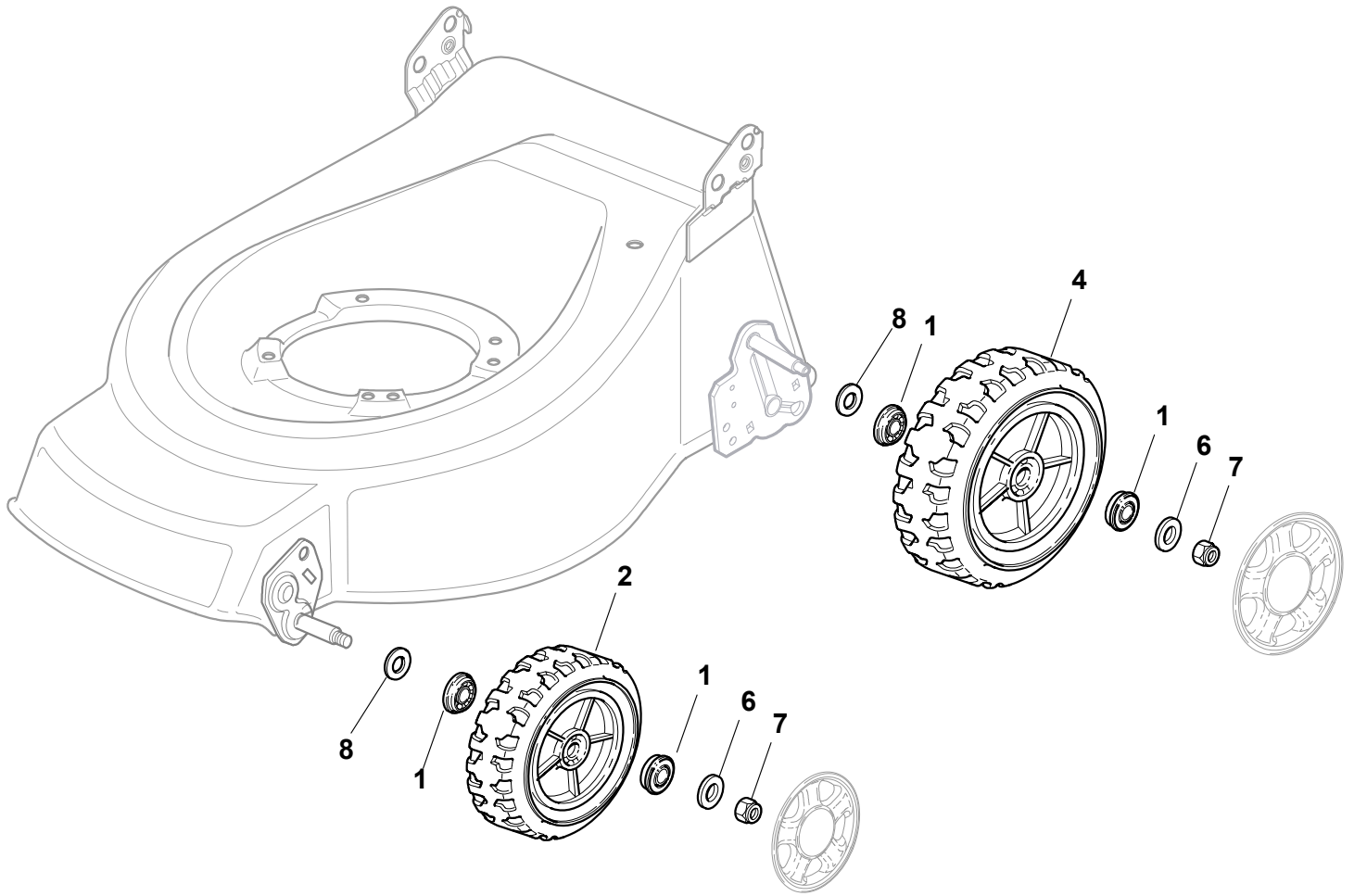
| N. | CODE        | Q.TY | DESCRIZIONE               | DESCRIPTION             | DESCRIPTION                        | BESCHREIBUNG         | REMARK |
|----|-------------|------|---------------------------|-------------------------|------------------------------------|----------------------|--------|
| 1  | 22120105/1  | 2    | Corona                    | Ring Gear               | Couronne                           | Kranz                |        |
| 2  | 22600093/0  | 1    | Prot. Ruote Sx            | Protection, L Wheel     | Protection Roue G                  | Schütz, Linkes       |        |
| 3  | 12608600/0  | 4    | Seeger                    | Seeger                  | Seeger                             | Seeger               |        |
| 4  | 22570120/1  | 1    | Pignone Sx                | Pinion L                | Pignon G                           | Ritzel Linkes        |        |
| 5  | 19216035/0  | 2    | Cuscinetto                | Bearing                 | Coussinet                          | Lager                |        |
| 6  | 22600092/0  | 1    | Prot. Ruote Dx            | Protection, R Wheel     | Protection Roue D                  | Schütz, Rechtes      |        |
| 7  | 81000147/0  | 1    | Asse Ruote Posteriori     | Axle, Rear Wheels       | Axe Roues Arriere                  | Achse, Hinterrad     |        |
| 8  | 22570110/1  | 1    | Pignone Dx                | Pinion R                | Pignon D                           | Ritzel Rechtes       |        |
| 10 | 22753000/0  | 2    | Spina                     | Pin                     | Goupille                           | Stift                |        |
| 11 | 181003092/0 | 1    | Gruppo Trazione           | Gear Box                | Groupe Traction                    | Antrieb              |        |
| 12 | 22601904/0  | 1    | Puleggia                  | Pulley                  | Poulie                             | Riemenscheibe        |        |
| 13 | 12645705/0  | 1    | Spina                     | Pin                     | Goupille                           | Stift                |        |
| 14 | 22033283/0  | 1    | Asta Regolazione          | Adjustment Rod          | Tige Reglage                       | Verstellungstange    |        |
| 15 | 35063800/0  | 1    | Cinghia Z 27              | Belt Z 27               | Courroie Z 27                      | Riemen Z 27          |        |
| 16 | 81000671/0  | 1    | Cavo Comando Trazione Inf | Cable, Rear Drive Lower | Câble, Commande Traction Inferieur | Kabel, Antrieb Unter |        |
| 17 | 22246031/0  | 1    | Giunzione Inf             | Lower Joint             | Connection Inf                     | Verbindung Unter     |        |
| 18 | 22042040/0  | 1    | Bussola Isolamento        | Isolation Compass       | Boussole De                        | Absonderung          |        |
| 19 | 22246030/0  | 1    | Giunzione Sup             | Upper Joint             | Connection Sup                     | Verbindung Unter     |        |
| 20 | 81001150/0  | 1    | Cavo Comando Trazione Sup | Cable, Rear Drive Upper | Câble, Commande Traction Superieu  | Kabel, Antrieb Ober  |        |
| 21 | 22041957/1  | 1    | Bussola                   | Bush                    | Douille                            | Buchse               |        |
| 22 | 22450063/0  | 1    | Molla                     | Spring                  | Ressort                            | Feder                |        |
| 23 | 22680009/0  | 1    | Rosetta                   | Washer                  | Rondelle                           | Scheibe              |        |
| 24 | 12154510/0  | 1    | Dado                      | Nut                     | Ecrou                              | Mutter               |        |
| 25 | 22110230/0  | 1    | Tappo                     | Cap                     | Bouchon                            | Gummistopfen         |        |



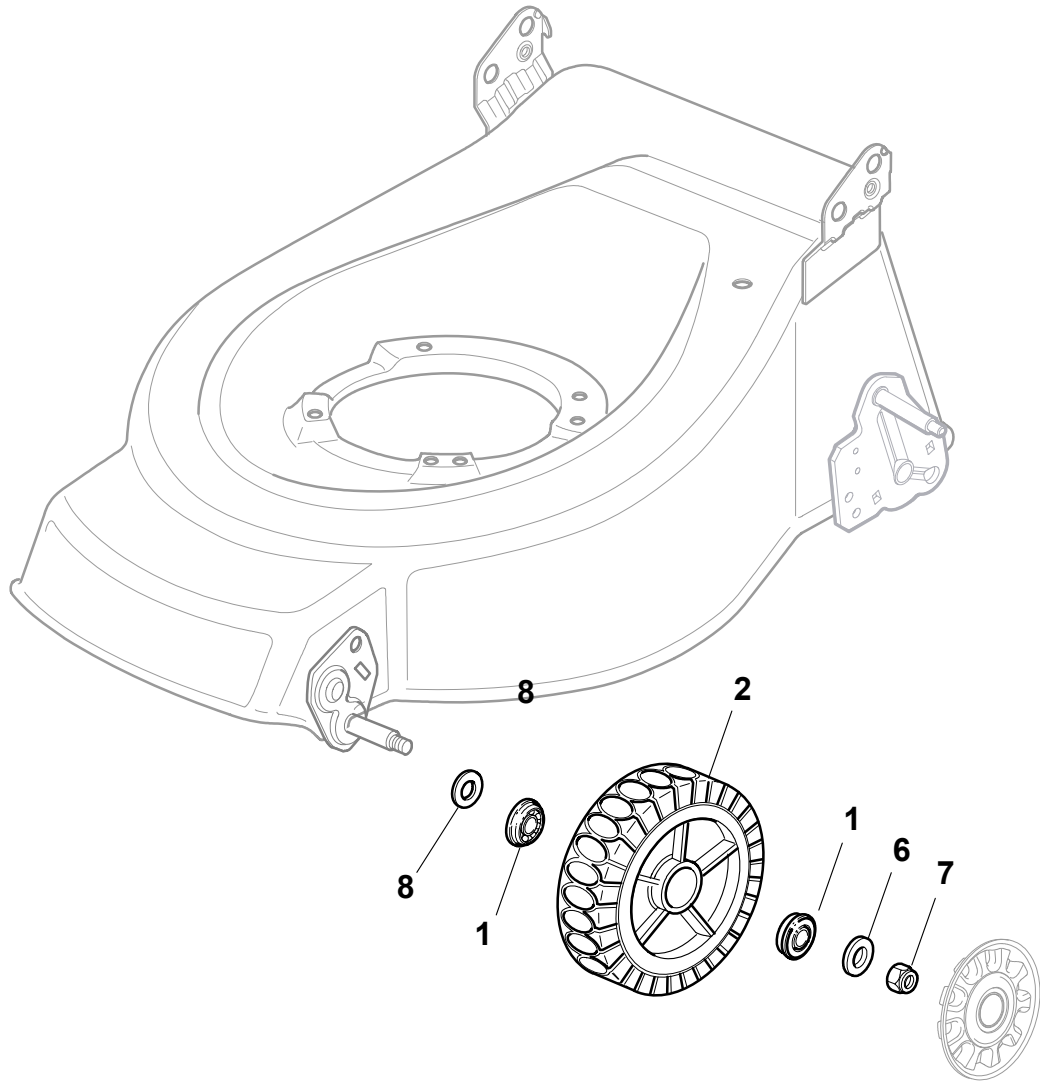
| N. | CODE       | Q.TY | DESCRIZIONE      | DESCRIPTION    | DESCRIPTION        | BESCHREIBUNG       | REMARK |
|----|------------|------|------------------|----------------|--------------------|--------------------|--------|
| 1  | 22122200/0 | 8    | Cuscinetto       | Bearing        | Coussinet          | Lager              |        |
| 2  | 81007351/0 | 2    | Ruota Ø 170      | Wheel Ø 170    | Roue Ø 170         | Rad Ø 170          |        |
| 4  | 81007343/0 | 2    | Ruota Ø 210      | Wheel Ø 210    | Roue Ø 210         | Rad Ø 210          |        |
| 6  | 12523060/0 | 4    | Rosetta          | Washer         | Rondelle           | Scheibe            |        |
| 7  | 12155000/0 | 4    | Dado             | Nut            | Ecrou              | Mutter             |        |
| 8  | 12530150/0 | 4    | Rosetta Elastica | Elastic Washer | Rondelle Elastique | Elastische Scheibe |        |



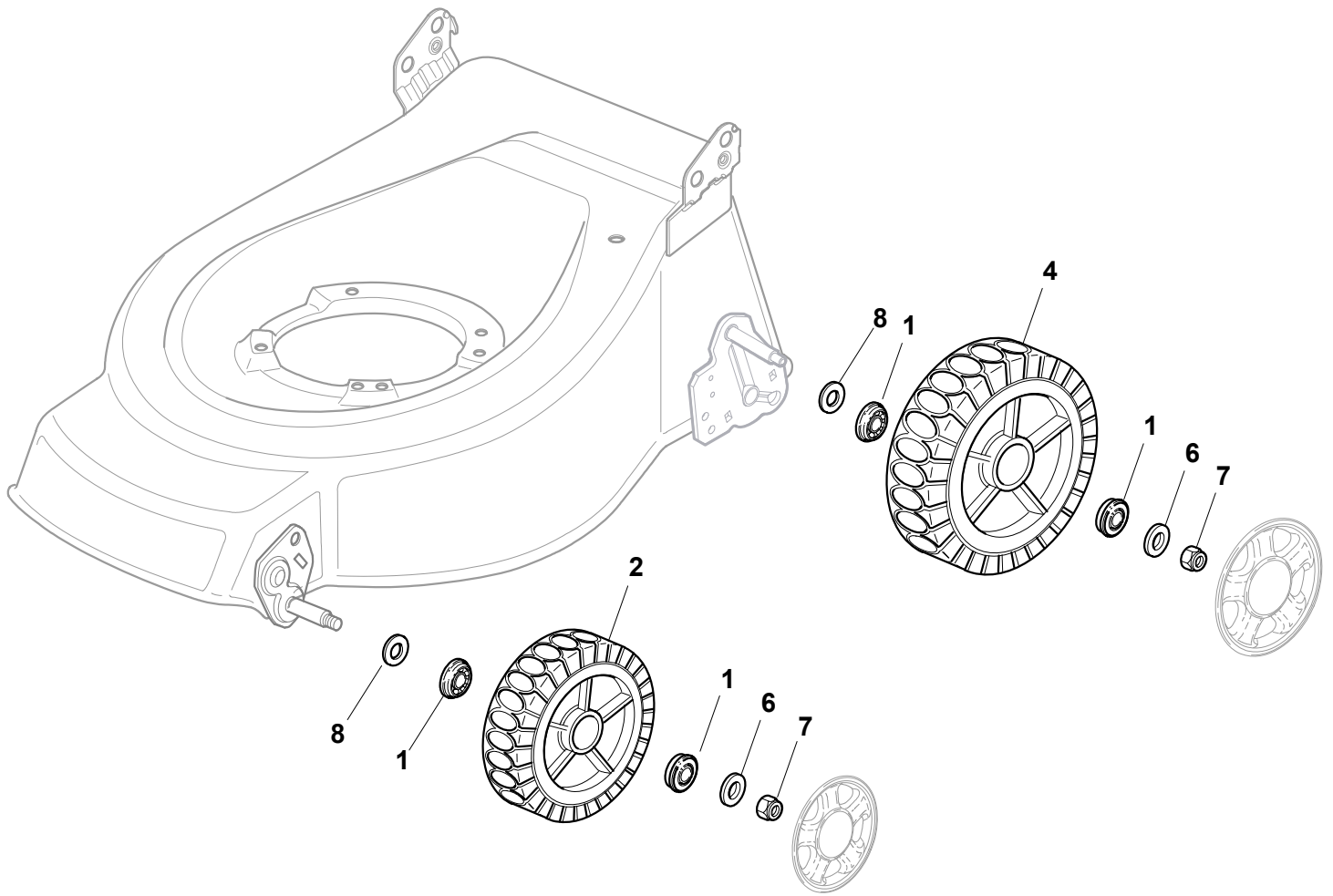
| N. | CODE        | Q.TY | DESCRIZIONE | DESCRIPTION | DESCRIPTION | BESCHREIBUNG | REMARK |
|----|-------------|------|-------------|-------------|-------------|--------------|--------|
| 2  | 22122200/0  | 2    | Cuscinetto  | Bearing     | Coussinet   | Lager        |        |
| 3  | 81007343/0  | 2    | Ruota Ø 210 | Wheel Ø 210 | Roue Ø 210  | Rad Ø 210    |        |
| 4  | 12369500/0  | 4    | Rosetta     | Washer      | Rondelle    | Scheibe      |        |
| 5  | 12155000/0  | 4    | Dado        | Nut         | Ecrou       | Mutter       |        |
| 6  | 12523060/0  | 4    | Rosetta     | Washer      | Rondelle    | Scheibe      |        |
| 7  | 381007420/1 | 2    | Ruota Ø 170 | Wheel Ø 170 | Roue Ø 170  | Rad Ø 170    |        |
| 9  | 22034508/0  | 4    | Bussola     | Bush        | Douille     | Buchse       |        |



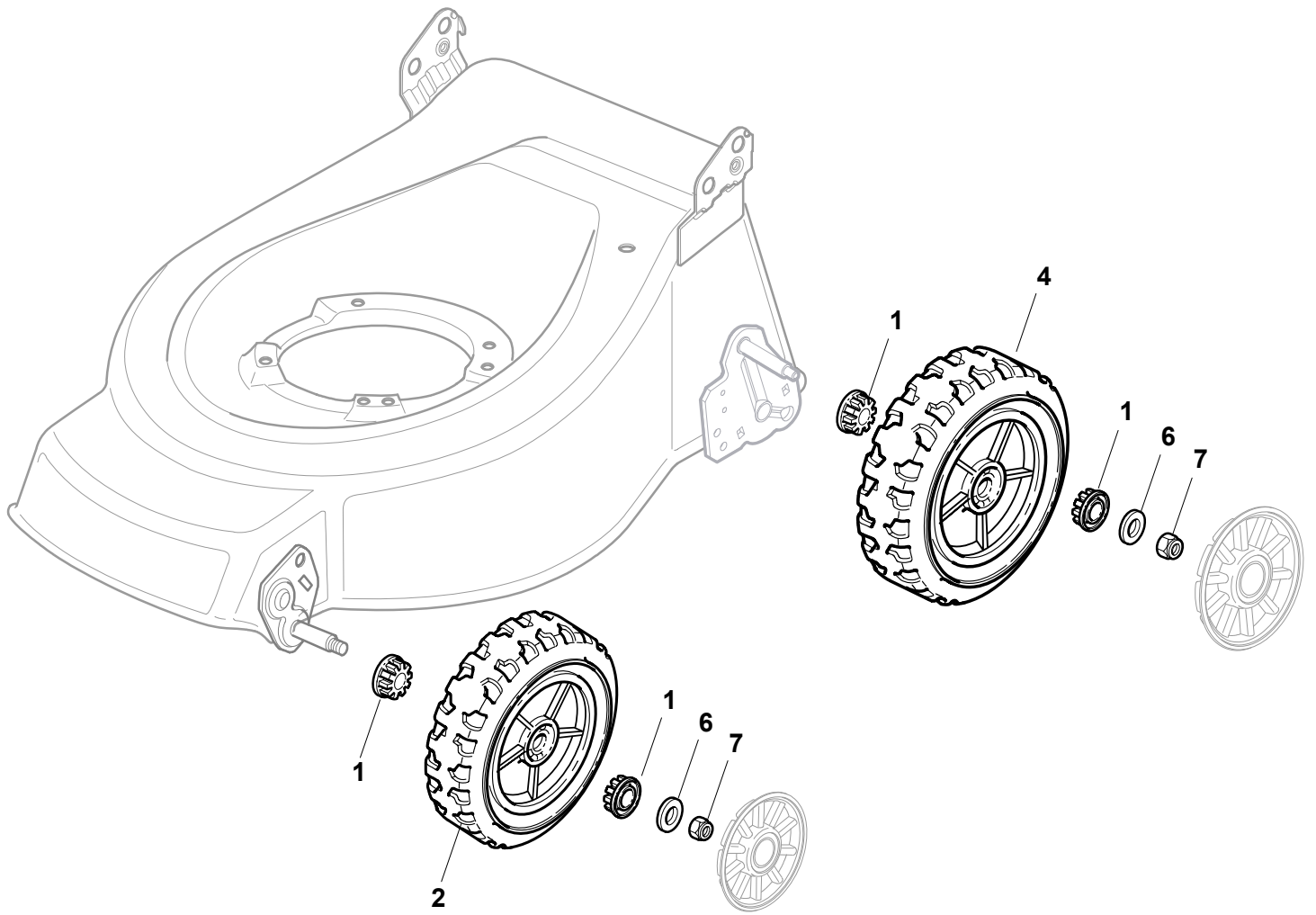
| N. | CODE        | Q.TY | DESCRIZIONE      | DESCRIPTION    | DESCRIPTION        | BESCHREIBUNG       | REMARK |
|----|-------------|------|------------------|----------------|--------------------|--------------------|--------|
| 1  | 22122200/0  | 8    | Cuscinetto       | Bearing        | Coussinet          | Lager              |        |
| 2  | 381007420/1 | 2    | Ruota Ø 170      | Wheel Ø 170    | Roue Ø 170         | Rad Ø 170          |        |
| 4  | 381007390/1 | 2    | Ruota Ø 210      | Wheel Ø 210    | Roue Ø 210         | Rad Ø 210          |        |
| 6  | 12523060/0  | 4    | Rosetta          | Washer         | Rondelle           | Scheibe            |        |
| 7  | 12155000/0  | 4    | Dado             | Nut            | Ecrou              | Mutter             |        |
| 8  | 12530150/0  | 4    | Rosetta Elastica | Elastic Washer | Rondelle Elastique | Elastische Scheibe |        |



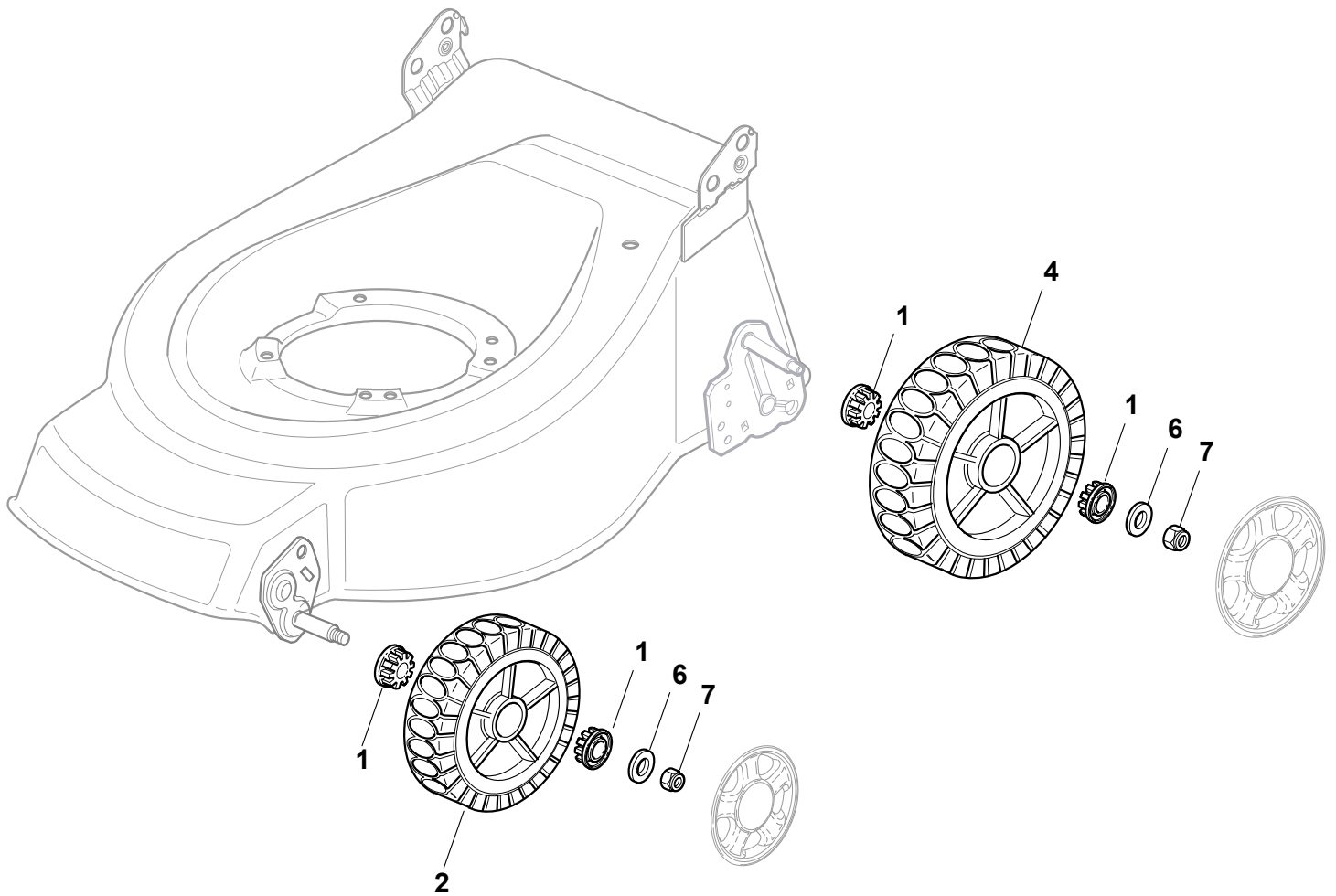
| N. | CODE       | Q.TY | DESCRIZIONE          | DESCRIPTION          | DESCRIPTION         | BESCHREIBUNG            | REMARK |
|----|------------|------|----------------------|----------------------|---------------------|-------------------------|--------|
| 1  | 22122200/0 | 8    | Cuscinetto           | Bearing              | Coussinet           | Lager                   |        |
| 2  | 81007336/0 | 4    | Ruota Scolpita Ø 170 | Wheel, Knobbly Ø 170 | Roue Sculptee Ø 170 | Rad M. Stollenpr. Ø 170 |        |
| 6  | 12523060/0 | 4    | Rosetta              | Washer               | Rondelle            | Scheibe                 |        |
| 7  | 12155000/0 | 4    | Dado                 | Nut                  | Ecrou               | Mutter                  |        |
| 8  | 12530150/0 | 4    | Rosetta Elastica     | Elastic Washer       | Rondelle Elastique  | Elastische Scheibe      |        |



| N. | CODE       | Q.TY | DESCRIZIONE          | DESCRIPTION         | DESCRIPTION         | BESCHREIBUNG            | REMARK |
|----|------------|------|----------------------|---------------------|---------------------|-------------------------|--------|
| 1  | 22122200/0 | 8    | Cuscinetto           | Bearing             | Coussinet           | Lager                   |        |
| 2  | 81007336/0 | 2    | Ruota Scolpita Ø 170 | Wheel, Knobby Ø 170 | Roue Sculptee Ø 170 | Rad M. Stollenpr. Ø 170 |        |
| 4  | 81007337/0 | 2    | Ruota Scolpita Ø 210 | Wheel, Knobby Ø 210 | Roue Sculptee Ø 210 | Rad M. Stollenpr. Ø 210 |        |
| 6  | 12523060/0 | 4    | Rosetta              | Washer              | Rondelle            | Scheibe                 |        |
| 7  | 12155000/0 | 4    | Dado                 | Nut                 | Ecrou               | Mutter                  |        |
| 8  | 12530150/0 | 4    | Rosetta Elastica     | Elastic Washer      | Rondelle Elastique  | Elastische Scheibe      |        |

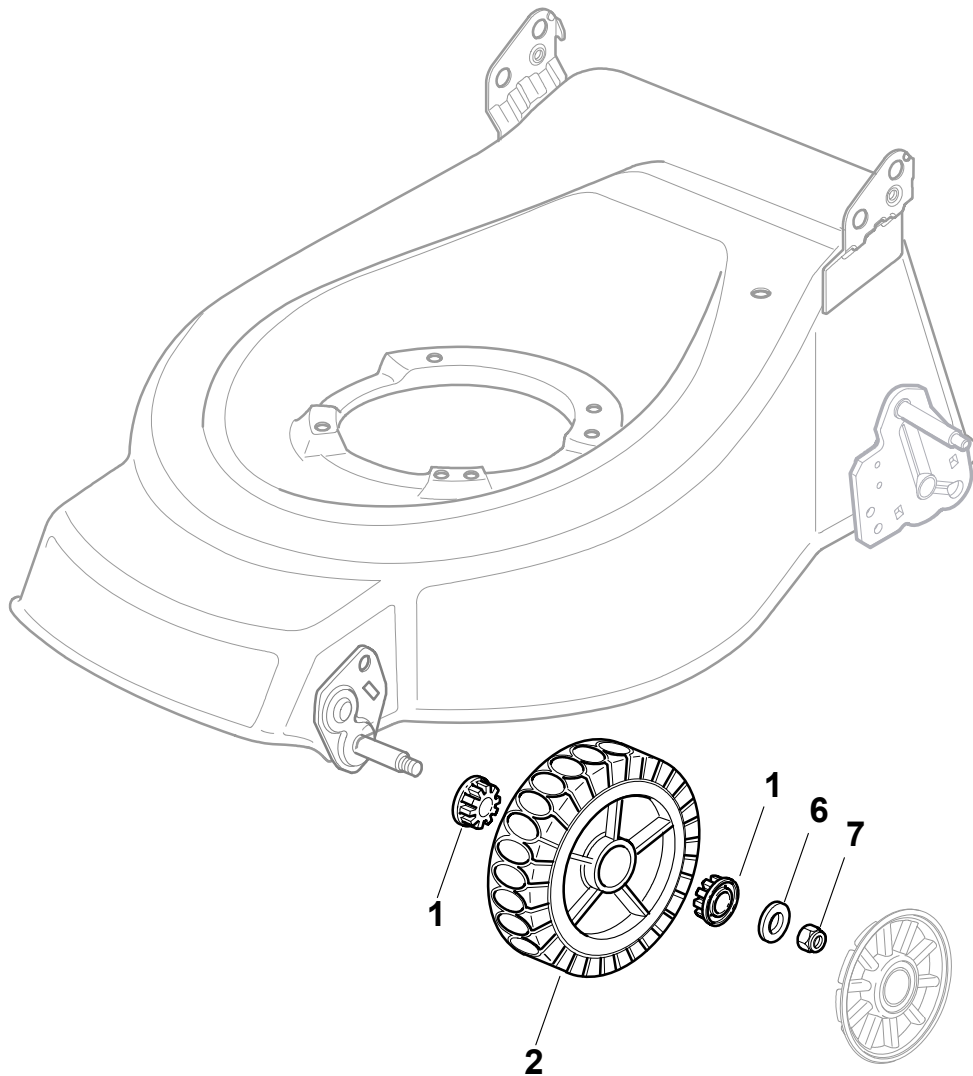


| N. | CODE       | Q.TY | DESCRIZIONE | DESCRIPTION | DESCRIPTION | BESCHREIBUNG | REMARK |
|----|------------|------|-------------|-------------|-------------|--------------|--------|
| 1  | 22034508/0 | 8    | Bussola     | Bush        | Douille     | Buchse       |        |
| 2  | 81007351/0 | 2    | Ruota Ø 170 | Wheel Ø 170 | Roue Ø 170  | Rad Ø 170    |        |
| 4  | 81007343/0 | 2    | Ruota Ø 210 | Wheel Ø 210 | Roue Ø 210  | Rad Ø 210    |        |
| 6  | 12523060/0 | 4    | Rosetta     | Washer      | Rondelle    | Scheibe      |        |
| 7  | 12155000/0 | 4    | Dado        | Nut         | Ecrou       | Mutter       |        |

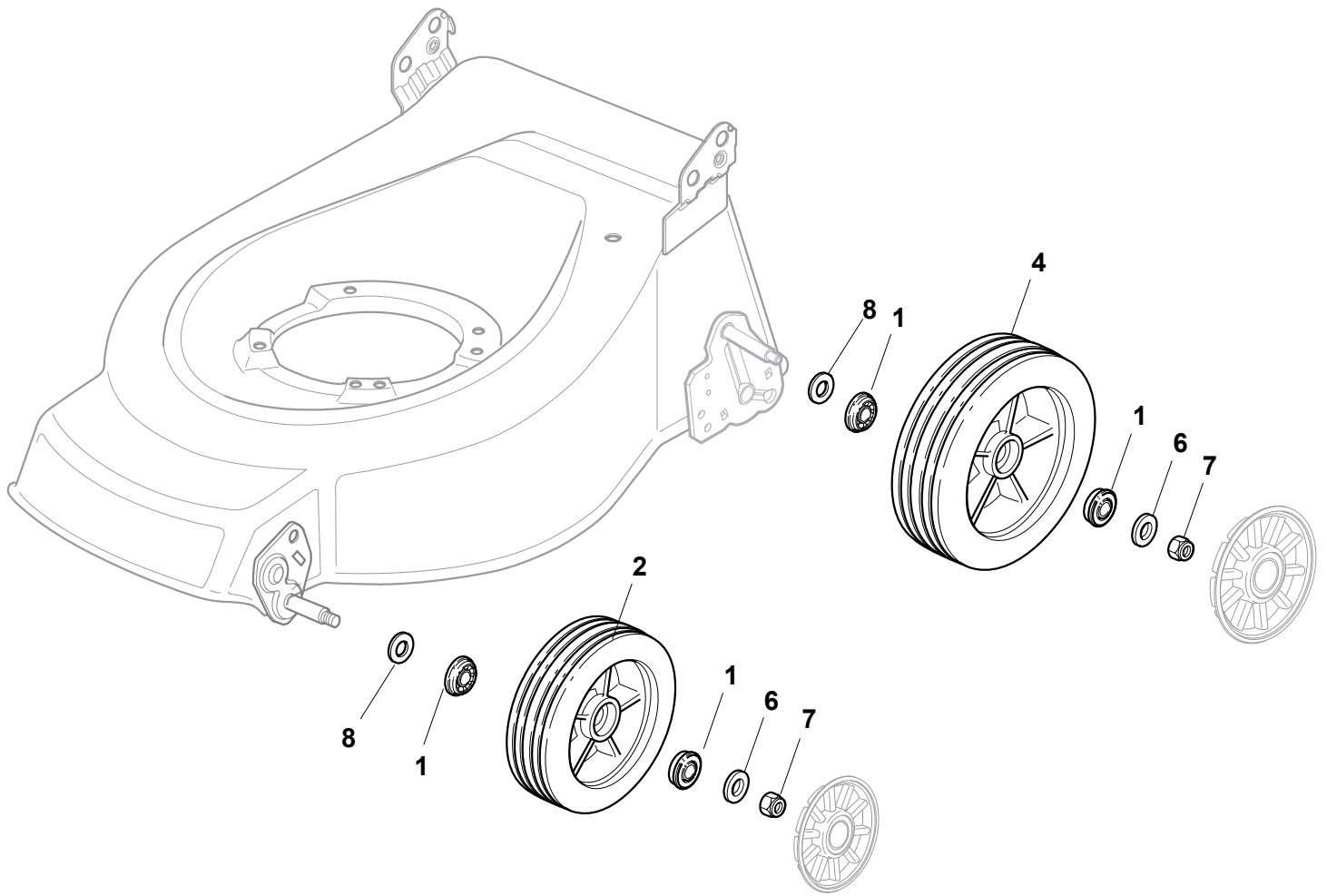


| N. | CODE       | Q.TY | DESCRIZIONE          | DESCRIPTION         | DESCRIPTION         | BESCHREIBUNG            | REMARK |
|----|------------|------|----------------------|---------------------|---------------------|-------------------------|--------|
| 1  | 22034508/0 | 8    | Bussola              | Bush                | Douille             | Buchse                  |        |
| 2  | 81007336/0 | 2    | Ruota Scolpita Ø 170 | Wheel, Knobby Ø 170 | Roue Sculptee Ø 170 | Rad M. Stollenpr. Ø 170 |        |
| 4  | 81007337/0 | 2    | Ruota Scolpita Ø 210 | Wheel, Knobby Ø 210 | Roue Sculptee Ø 210 | Rad M. Stollenpr. Ø 210 |        |
| 6  | 12523060/0 | 4    | Rosetta              | Washer              | Rondelle            | Scheibe                 |        |
| 7  | 12155000/0 | 4    | Dado                 | Nut                 | Ecrou               | Mutter                  |        |

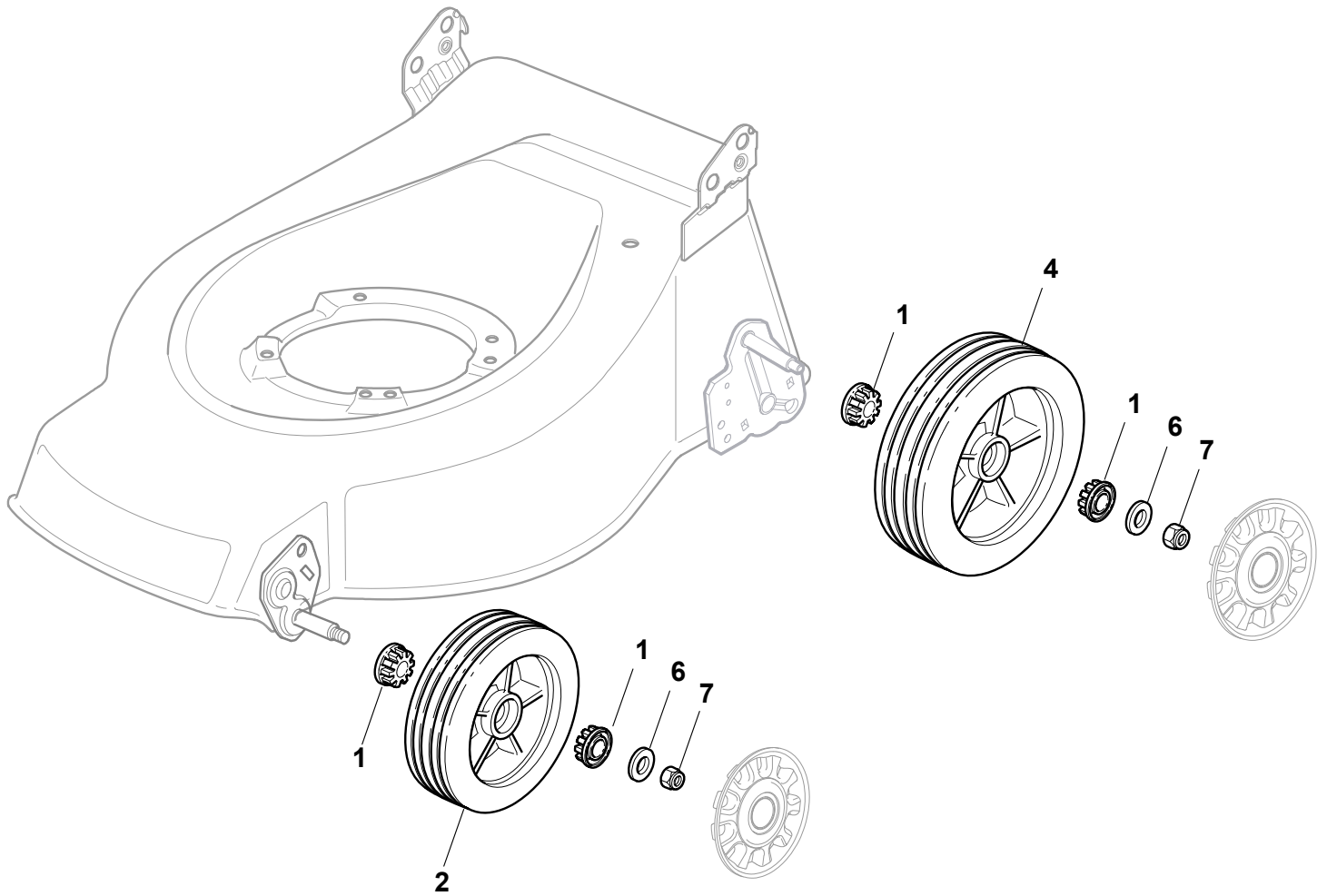




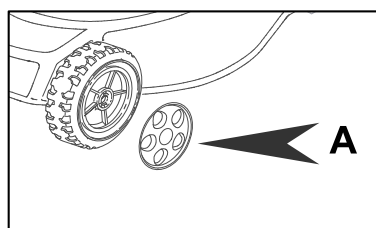
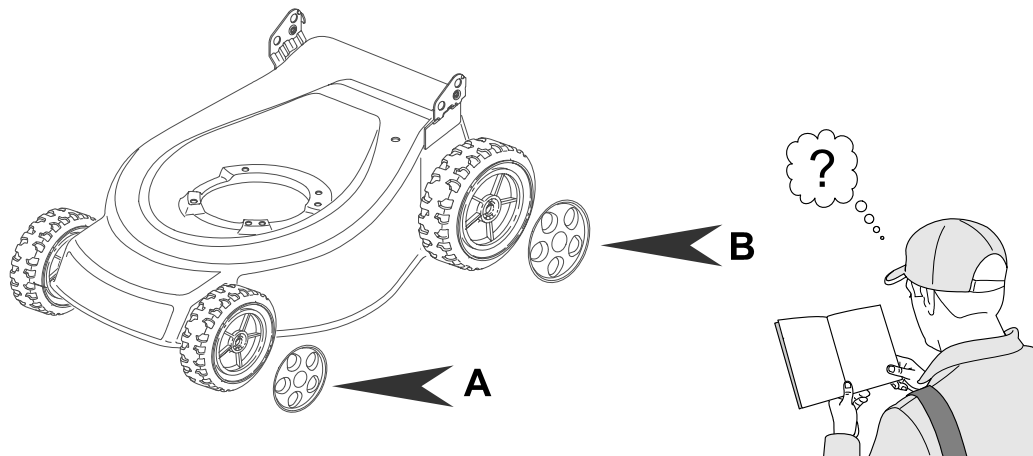
| N. | CODE       | Q.TY | DESCRIZIONE          | DESCRIPTION         | DESCRIPTION         | BESCHREIBUNG            | REMARK |
|----|------------|------|----------------------|---------------------|---------------------|-------------------------|--------|
| 1  | 22034508/0 | 8    | Bussola              | Bush                | Douille             | Buchse                  |        |
| 2  | 81007336/0 | 4    | Ruota Scolpita Ø 170 | Wheel, Knobby Ø 170 | Roue Sculptee Ø 170 | Rad M. Stollenpr. Ø 170 |        |
| 6  | 12523060/0 | 4    | Rosetta              | Washer              | Rondelle            | Scheibe                 |        |
| 7  | 12155000/0 | 4    | Dado                 | Nut                 | Ecrou               | Mutter                  |        |



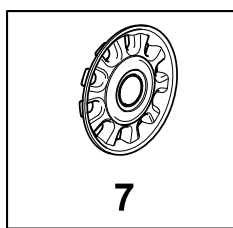
| N. | CODE       | Q.TY | DESCRIZIONE        | DESCRIPTION    | DESCRIPTION        | BESCHREIBUNG       | REMARK |
|----|------------|------|--------------------|----------------|--------------------|--------------------|--------|
| 1  | 22122200/0 | 8    | Cuscinetto         | Bearing        | Coussinet          | Lager              |        |
| 2  | 81007326/0 | 2    | Ruota Rigata Ø 170 | Wheel Ø 170    | Roue Ø 170         | Rad. Ø 170         |        |
| 4  | 81007328/0 | 2    | Ruota Rigata Ø 210 | Wheel Ø 210    | Roue Ø 210         | Rad. Ø 210         |        |
| 6  | 12523060/0 | 4    | Rosetta            | Washer         | Rondelle           | Scheibe            |        |
| 7  | 12155000/0 | 4    | Dado               | Nut            | Ecrou              | Mutter             |        |
| 8  | 12530150/0 | 4    | Rosetta Elastica   | Elastic Washer | Rondelle Elastique | Elastische Scheibe |        |



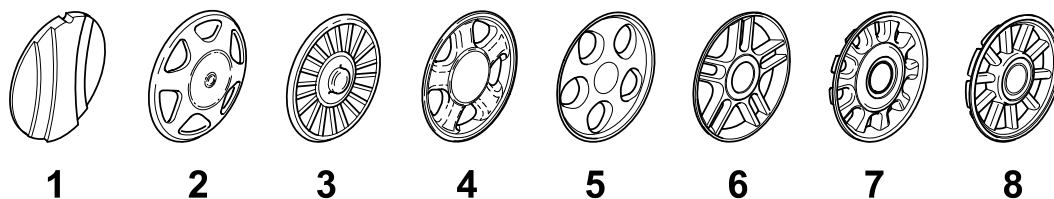
| N. | CODE       | Q.TY | DESCRIZIONE        | DESCRIPTION | DESCRIPTION | BESCHREIBUNG | REMARK |
|----|------------|------|--------------------|-------------|-------------|--------------|--------|
| 1  | 22034508/0 | 8    | Bussola            | Bush        | Douille     | Buchse       |        |
| 2  | 81007326/0 | 2    | Ruota Rigata Ø 170 | Wheel Ø 170 | Roue Ø 170  | Rad. Ø 170   |        |
| 4  | 81007328/0 | 2    | Ruota Rigata Ø 210 | Wheel Ø 210 | Roue Ø 210  | Rad. Ø 210   |        |
| 6  | 12523060/0 | 4    | Rosetta            | Washer      | Rondelle    | Scheibe      |        |
| 7  | 12155000/0 | 4    | Dado               | Nut         | Ecrou       | Mutter       |        |



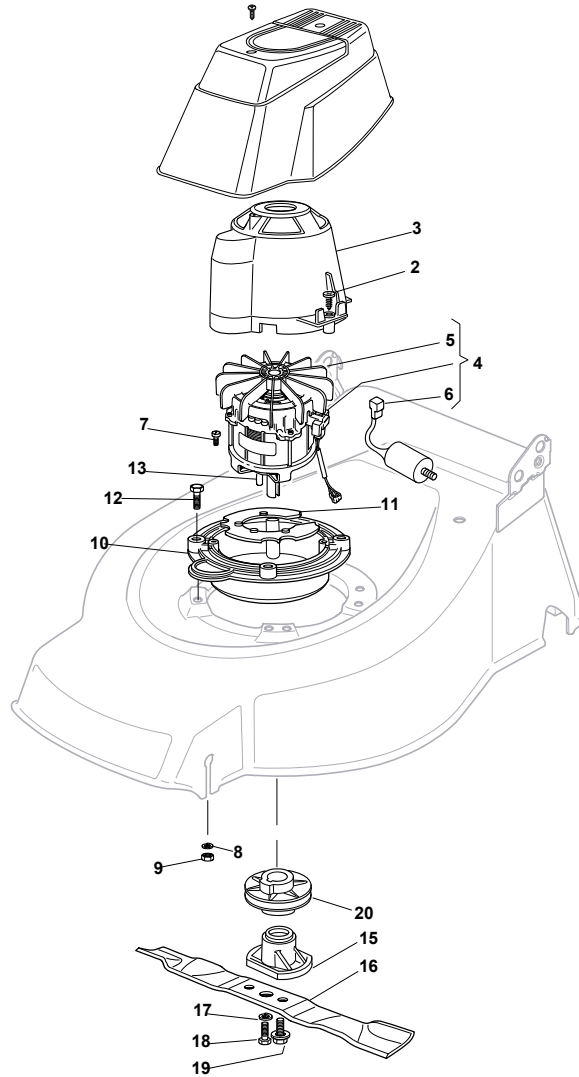
+



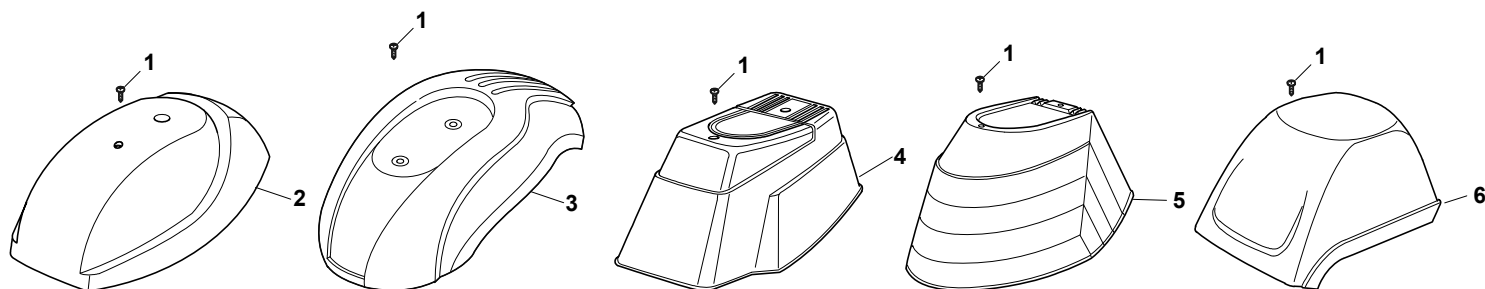
= A7



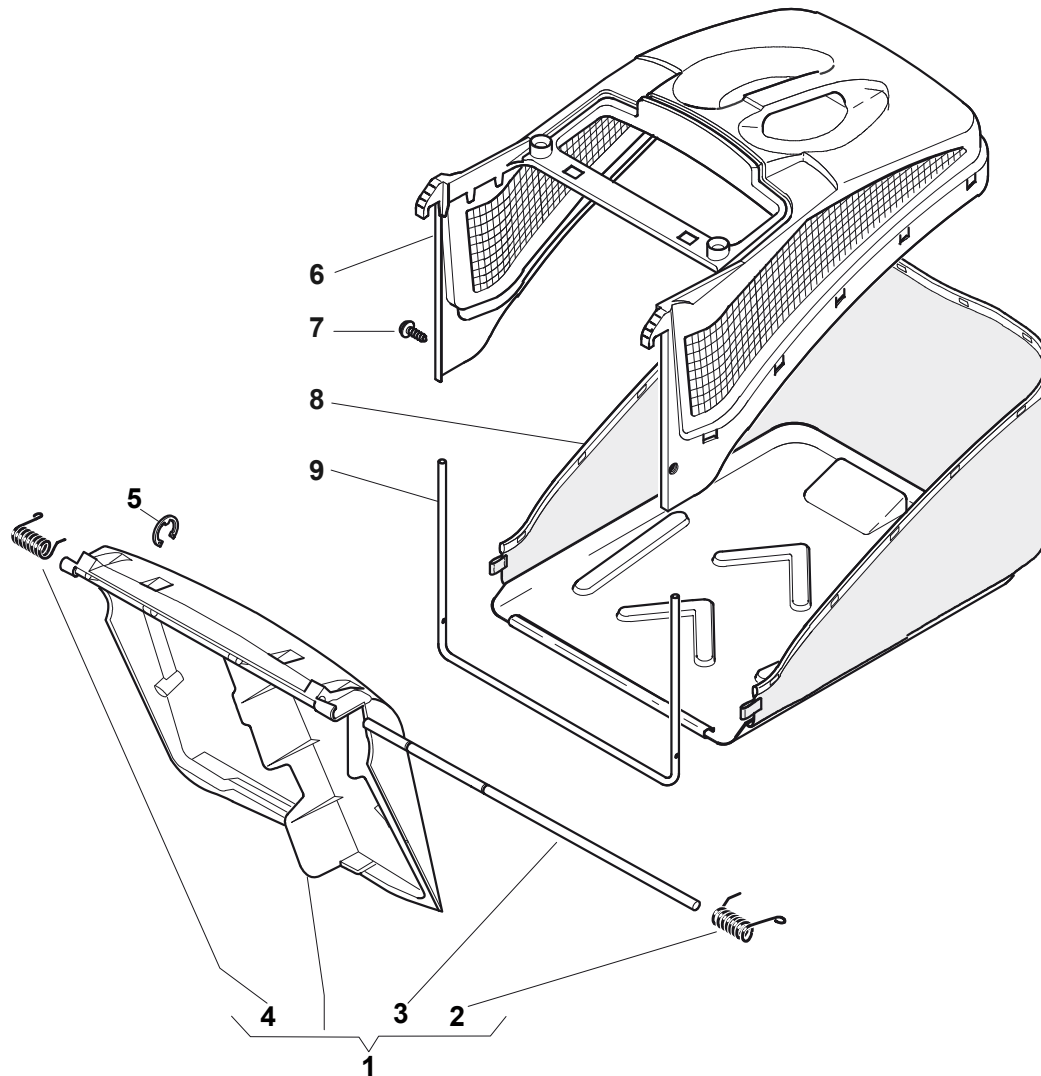
| N. | CODE       | Q.TY | DESCRIZIONE        | DESCRIPTION    | DESCRIPTION       | BESCHREIBUNG   | REMARK |
|----|------------|------|--------------------|----------------|-------------------|----------------|--------|
| B1 | 22110251/0 | 2    | Coprismozzo Bianco | Hub Cap White  | Couvre-Moyeu      | Radkappe Weiße |        |
| A1 | 22110252/1 | 2    | Coprismozzo Bianco | Hub Cap White  | Couvre-Moyeu      | Radkappe Weiße |        |
| B1 | 22110253/0 | 2    | Coprismozzo Giallo | Hub Cap Yellow | Couvre-Moyeu      | Radkappe Gelbe |        |
| A1 | 22110254/1 | 2    | Coprismozzo Giallo | Hub Cap Yellow | Couvre-Moyeu      | Radkappe Gelbe |        |
| A1 | 22110255/1 | 2    | Coprismozzo Rosso  | Hub Cap Red    | Couvre-Moyeu      | Radkappe Rote  |        |
| B1 | 22110256/0 | 2    | Coprismozzo Rosso  | Hub Cap Red    | Couvre-Moyeu      | Radkappe Rote  |        |
| A1 | 22110381/0 | 2    | Coprismozzo Grigio | Hub Cap Grey   | Couvre-Moyeu Gris | Radkappe Grau  |        |
| B1 | 22110382/0 | 2    | Coprismozzo Grigio | Hub Cap Grey   | Couvre-Moyeu Gris | Radkappe Grau  |        |
| B2 | 22110313/0 | 2    | Coprismozzo Bianco | Hub Cap White  | Couvre-Moyeu      | Radkappe Weiße |        |
| B2 | 22110314/0 | 2    | Coprismozzo Grigio | Hub Cap Grey   | Couvre-Moyeu Gris | Radkappe Grau  |        |
| A2 | 22110344/0 | 2    | Coprismozzo Bianco | Hub Cap White  | Couvre-Moyeu      | Radkappe Weiße |        |
| A2 | 22110395/0 | 2    | Coprismozzo Grigio | Hub Cap Grey   | Couvre-Moyeu Gris | Radkappe Grau  |        |
| A3 | 22110347/0 | 2    | Coprismozzo Grigio | Hub Cap Grey   | Couvre-Moyeu Gris | Radkappe Grau  |        |
| B3 | 22110348/0 | 2    | Coprismozzo Grigio | Hub Cap Grey   | Couvre-Moyeu Gris | Radkappe Grau  |        |
| A4 | 22110381/0 | 2    | Coprismozzo Grigio | Hub Cap Grey   | Couvre-Moyeu Gris | Radkappe Grau  |        |
| B4 | 22110382/0 | 2    | Coprismozzo Grigio | Hub Cap Grey   | Couvre-Moyeu Gris | Radkappe Grau  |        |
| A5 | 22110416/0 | 2    | Coprismozzo Grigio | Hub Cap Grey   | Couvre-Moyeu Gris | Radkappe Grau  |        |
| B5 | 22110417/0 | 2    | Coprismozzo Grigio | Hub Cap Grey   | Couvre-Moyeu Gris | Radkappe Grau  |        |
| A6 | 22110491/0 | 2    | Coprismozzo Grigio | Hub Cap Grey   | Couvre-Moyeu Gris | Radkappe Grau  |        |
| B6 | 22110492/0 | 2    | Coprismozzo Grigio | Hub Cap Grey   | Couvre-Moyeu Gris | Radkappe Grau  |        |
| A7 | 22110493/0 | 2    | Coprismozzo Grigio | Hub Cap Grey   | Couvre-Moyeu Gris | Radkappe Grau  |        |
| B7 | 22110494/0 | 2    | Coprismozzo Grigio | Hub Cap Grey   | Couvre-Moyeu Gris | Radkappe Grau  |        |
| A8 | 22110495/0 | 2    | Coprismozzo Grigio | Hub Cap Grey   | Couvre-Moyeu Gris | Radkappe Grau  |        |
| B8 | 22110496/0 | 2    | Coprismozzo Grigio | Hub Cap Grey   | Couvre-Moyeu Gris | Radkappe Grau  |        |



| N. | CODE        | Q.TY | DESCRIZIONE            | DESCRIPTION        | DESCRIPTION            | BESCHREIBUNG      | REMARK       |
|----|-------------|------|------------------------|--------------------|------------------------|-------------------|--------------|
| 2  | 22785210/0  | 1    | Supporto Capottina     | Support, Cover     | Support Capot          | Halter, Haube     |              |
| 3  | 12728710/0  | 4    | Vite                   | Screw              | Vis                    | Schraube          |              |
| 4  | 118563641/1 | 1    | Motore Atb             | Motor Atb          | Moteur Atb             | Motor Atb         | 230V (1800W) |
| 5  | 18740054/0  | 1    | Ventola Per Motore Atb | Fan Motor Atb      | Ventilateur Moteur Atb | Lüfter Motor Atb  |              |
| 6  | 18222039/0  | 1    | Condensatore 25 µf     | Condenser 25 µf    | Condenseur 25 µf       | Kondensator 25 µf | (Atb)        |
| 7  | 12735410/0  | 4    | Vite                   | Screw              | Vis                    | Schraube          |              |
| 8  | 12583500/0  | 4    | Grower                 | Grower             | Grower                 | Federring         |              |
| 9  | 12293200/0  | 4    | Dado                   | Nut                | Ecrou                  | Mutter            |              |
| 10 | 322207211/4 | 1    | Flangia                | Flange             | Bride                  | Flansch           |              |
| 11 | 322720360/2 | 1    | Schermo                | Ventilation Screen | Ecran Ventilation      | Lüftungschirm     |              |
| 12 | 12793700/0  | 4    | Vite                   | Screw              | Vis                    | Schraube          |              |
| 13 | 12139440/0  | 1    | Linguetta              | Feather            | Clavette               | Keil              |              |
| 15 | 322463186/3 | 1    | Mozzo                  | Hub                | Moyeu                  | Halter            |              |
| 16 | 81004346/3  | 1    | Coltello Standard      | Blade Standard     | Lame Standard          | Messer Standard   |              |
| 16 | 81004397/0  | 1    | Coltello Alettato      | Blade Winged       | Lame Ailetée           | Messer Flügel     |              |
| 17 | 12583500/0  | 2    | Grower                 | Grower             | Grower                 | Federring         |              |
| 18 | 12793101/0  | 2    | Vite                   | Screw              | Vis                    | Schraube          |              |
| 19 | 381004352/1 | 1    | Vite                   | Screw              | Vis                    | Schraube          |              |
| 20 | 22601911/1  | 1    | Puleggia               | Pulley             | Pouile                 | Riemenscheibe     |              |



| N. | CODE       | Q.TY | DESCRIZIONE | DESCRIPTION | DESCRIPTION | BESCHREIBUNG | REMARK |
|----|------------|------|-------------|-------------|-------------|--------------|--------|
| 1  | 12728680/0 | 2    | Vite        | Screw       | Vis         | Schraube     |        |
| 2  | 22055058/0 | 1    | Capottina   | Cover       | Capot       | Haube        |        |
| 3  | 22055065/0 | 1    | Capottina   | Cover       | Capot       | Haube        |        |
| 4  | 22055045/1 | 1    | Capottina   | Cover       | Capot       | Haube        |        |
| 5  | 22055033/1 | 1    | Capottina   | Cover       | Capot       | Haube        |        |
| 6  | 22055053/1 | 1    | Capottina   | Cover       | Capot       | Haube        |        |



| N. | CODE        | Q.TY | DESCRIZIONE      | DESCRIPTION      | DESCRIPTION       | BESCHREIBUNG   | REMARK |
|----|-------------|------|------------------|------------------|-------------------|----------------|--------|
| 1  | 381008021/2 | 1    | Parasassi        | Stone-Guard      | Pare-Pierres      | Prallblech     |        |
| 2  | 22450410/1  | 1    | Molla Dx         | R Spring         | Ressort D         | Rechte Feder   |        |
| 3  | 22517906/1  | 1    | Perno            | Pin              | Pivot             | Bolzen         |        |
| 4  | 22450420/1  | 1    | Molla Sx         | L Spring         | Ressort G         | Linke Feder    |        |
| 5  | 12000930/0  | 1    | Anello Elastico  | Snap Ring        | Anneau Ressort    | Sprengring     |        |
| 6  | 22486093/0  | 1    | Sacco, Parte Sup | Grass-Box, Upper | Sac, Partie       | Korb, Oberteil |        |
| 7  | 12728445/0  | 2    | Vite             | Screw            | Vis               | Schraube       |        |
| 8  | 81002195/0  | 1    | Sacco, Tela      | Box, Fabric      | Sac, Toile        | Sack, Tuck     |        |
| 9  | 22608523/0  | 1    | Rinforzo Inf     | Stiffening Lower | Réinforcement Inf | Verstärkung    |        |