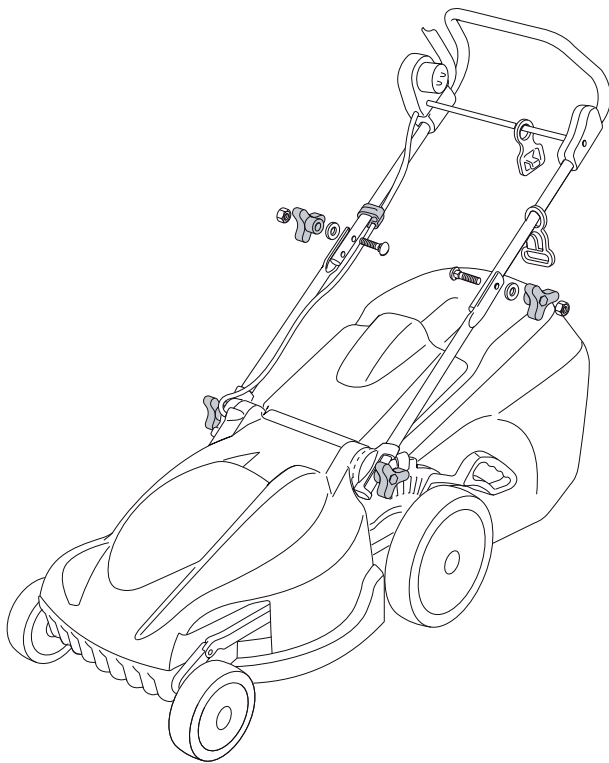


ILLUSTRATED PARTS LIST

EL 380 Li



- Use GLOBAL GARDEN PRODUCT Genuine Spare Parts specified in the parts list for repair and/or replacement.
- The contents described in the parts list may change due to improvement.
- The drawings of the spare parts are only indicative and might not represent the part in question exactly.
- The indications "right" - "left" - "front" - "rear" refer to the position of the operator when using the machine.
- When placing orders of parts for repair and/or replacement, make sure that the illustrated parts list is the one applying to the machine's year of manufacture, as shown on the identification plate attached to the machine.

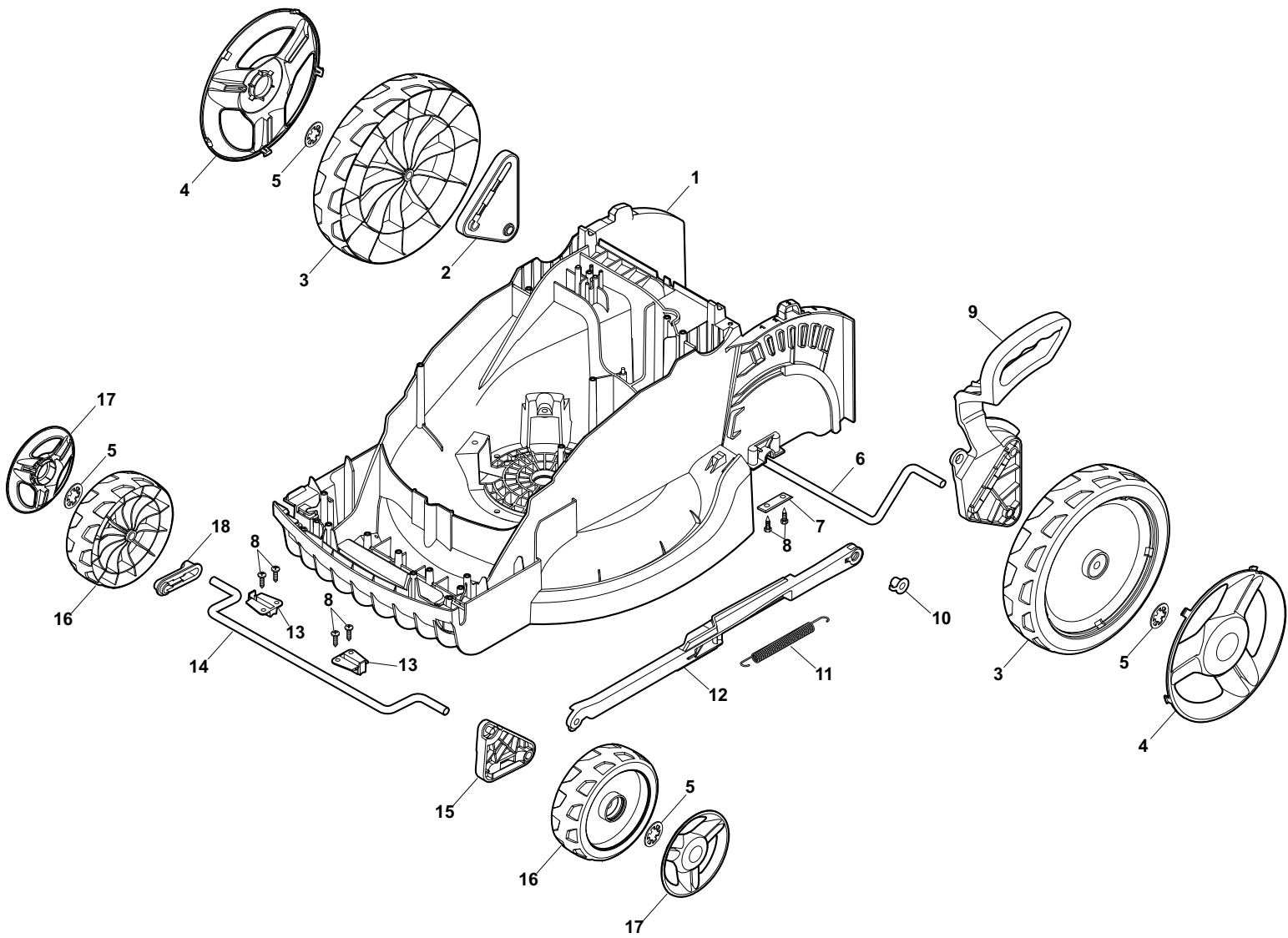
© Copyright 2012 Global Garden Products

All content is subject to copyright by Global Garden Products and may not be reproduced in whole or in part by any means, electronic or otherwise, without prior written approval.

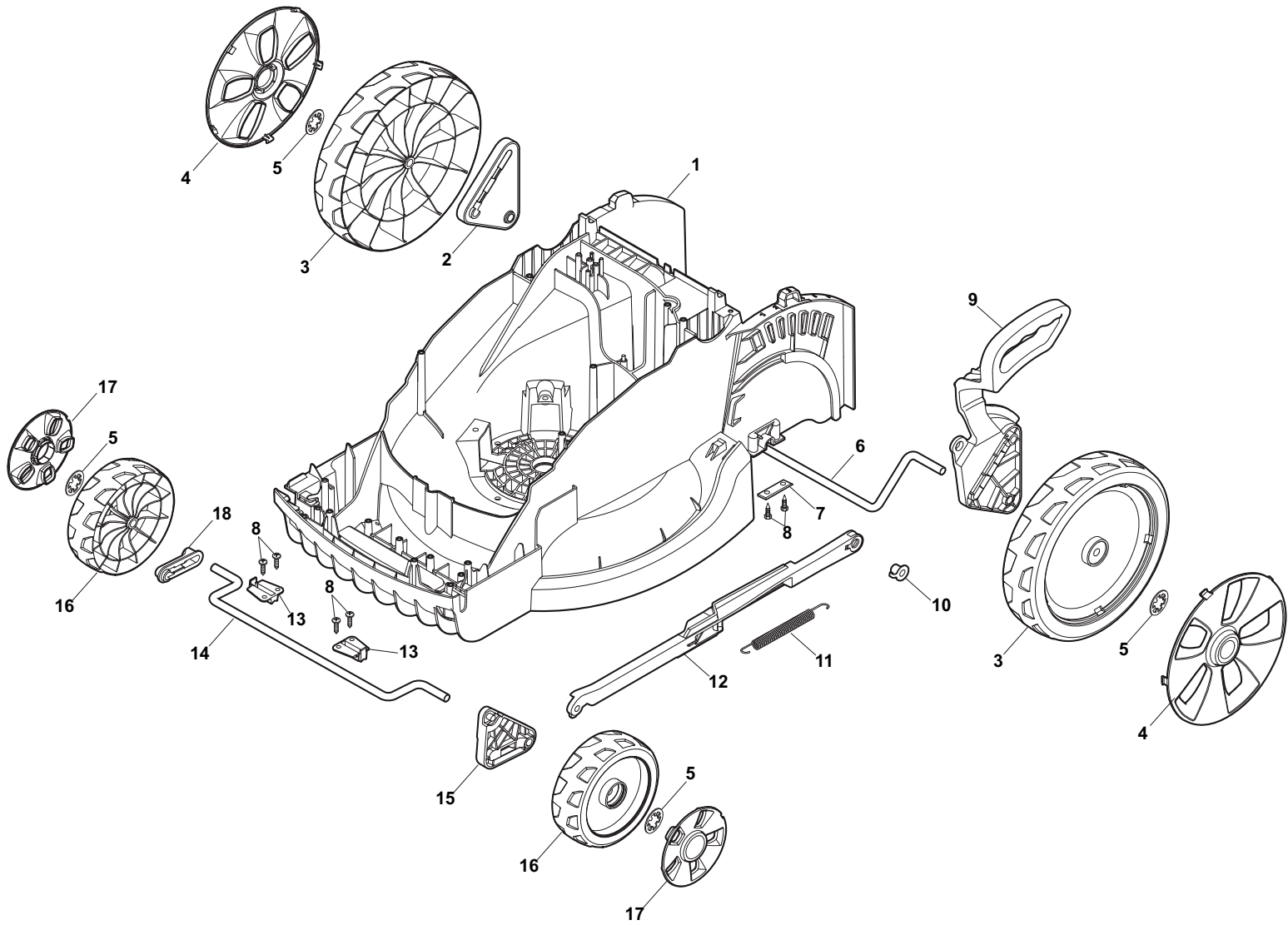
THIS INFORMATION IS NOT INTENDED FOR SALE OR RESALE, AND THIS NOTICE MUST REMAIN ON ALL COPIES.



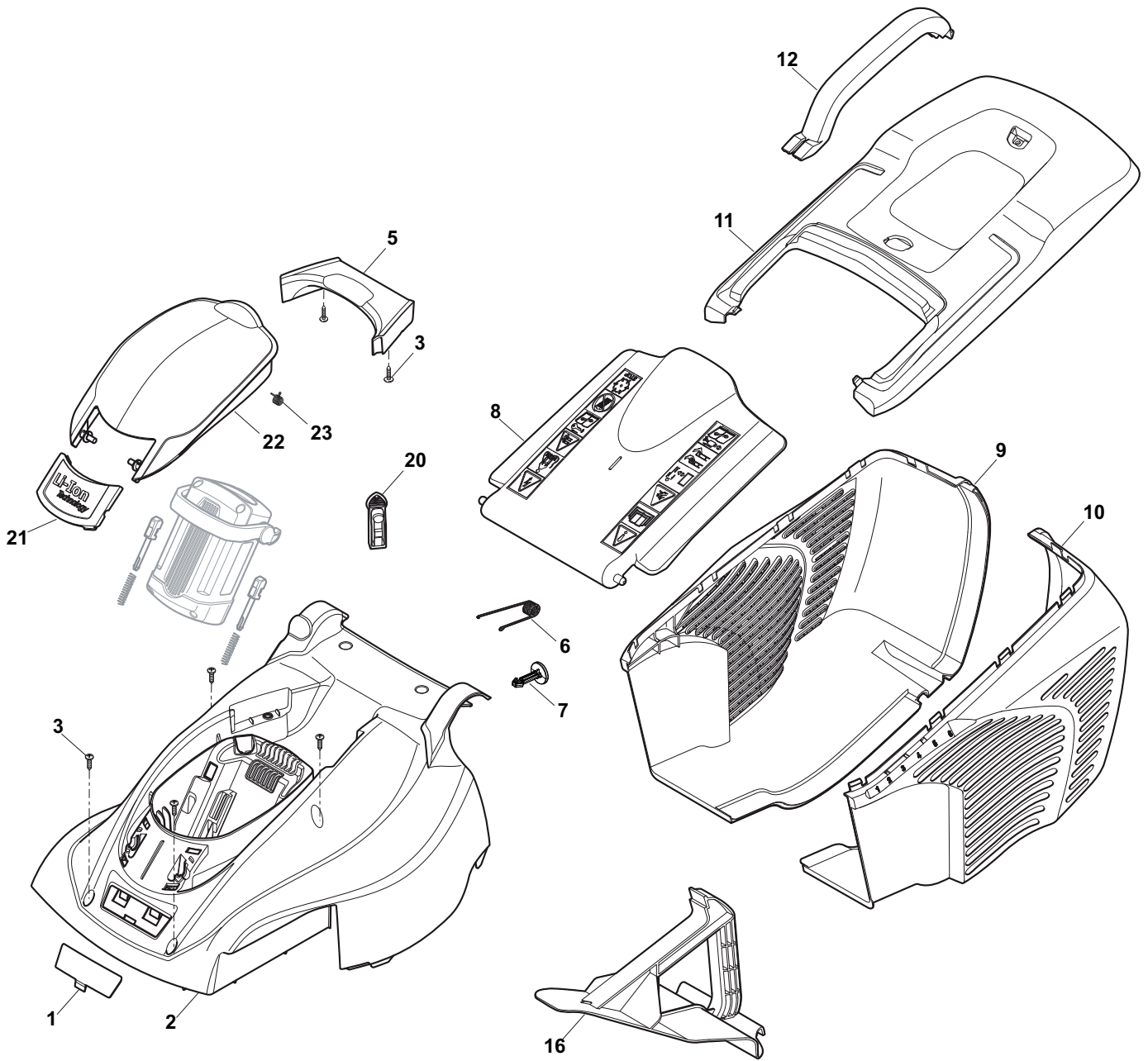
GLOBAL GARDEN PRODUCTS



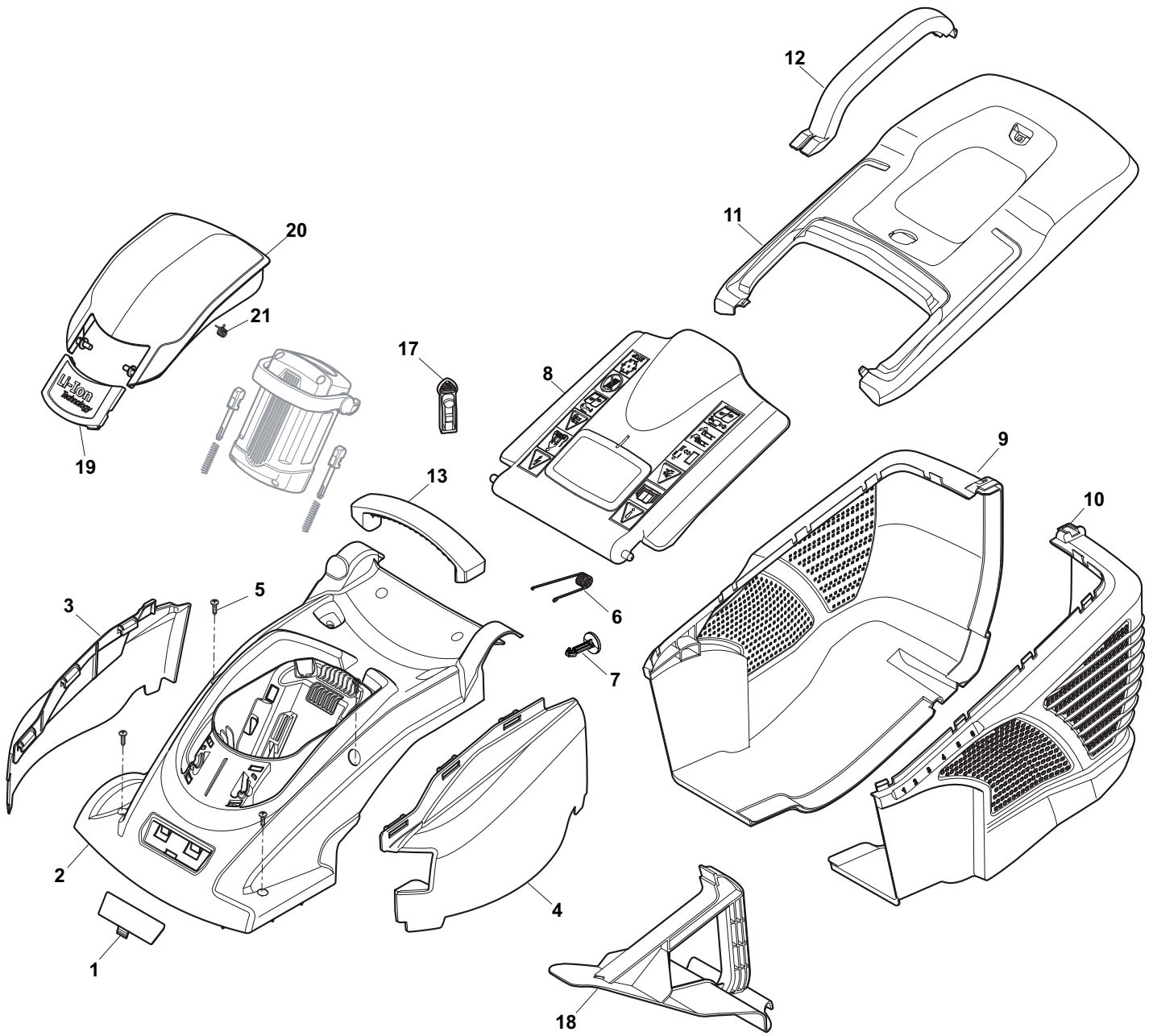
POS	PART. NO	Q.ty	DESCRIPTION	DESCRIZIONE	DESCRIPTION	BESCHREIBUNG	REMARKS
1	322066760/0	1	Deck Grey	Chassis Grigio	Châssis Gris	Gehäuse Grau	
2	322785387/0	1	Support, Wheels	Supporto Ruote	Support Roue	Halter, Rad	
3	322686105/0	2	Wheel Ø 250	Ruota Ø 250	Roue Ø 250	Rad Ø 250	
4	322110700/0	2	Hub Cap Yellow	Coprimozzo Giallo	Couvre-Moyeu Jaune	Radkappe	
4	322110691/0	2	Hub Cap White	Coprimozzo Bianco	Couvre-Moyeu Blanche	Radkappe	
4	322110684/0	2	Hub Cap Grey	Coprimozzo Grigio	Couvre-Moyeu Gris	Radkappe	
5	112604903/0	1	Crown Fastener	Fissatore A Corona	Fixateur A Couronne	Kronescheibe	
6	122033425/0	1	Axle, Rear Wheels	Asse Ruote Posteriore	Axe Roues Arriere	Achse, Hinterrad	
7	322545142/0	2	Plate	Piastrina	Plaquette	Plättchen	
8	112728714/0	8	Screw	Vite	Vis	Schraube	
9	322785388/0	1	Lever, Height Adjustment	Leva Regolazione Altezza	Levier Reglage Hauteur	Hebel, Höneverstellung	
10	322524354/0	1	Pin	Perno	Goupille	Stift	
11	122446195/0	1	Spring	Molla	Ressort	Feder	
12	322869680/0	1	Rod, Height Adjustment Grey	Asta Comando Regol. Altezza Grigio	Tige Commande Reglage Hauteur Gris	Stange, Höneverstellung Grau	
12	322869685/0	1	Rod, Height Adjustment Black	Asta Comando Regol. Altezza Nero	Tige Commande Reglage Hauteur Noir	Stange, Höneverstellung Schwarz	
13	322785415/0	2	Plate	Piastrina	Plaquette	Plättchen	
14	122033424/0	1	Axle, Front Wheels	Asse Ruote Anteriore	Axe Roues Avant	Achse, Vorderrad	
15	322785386/0	1	Support, Wheels Grey	Supporto Ruote Grigio	Support Roue Gris	Halter, Rad Grau	
15	322785422/0	1	Support, Wheels Black	Supporto Ruote Nero	Support Roue Noir	Halter, Rad Schwarz	
16	322686104/0	2	Wheel Ø 150	Ruota Ø 150	Roue Ø 150	Rad Ø 150	
17	322110699/0	2	Hub Cap Yellow	Coprimozzo Giallo	Couvre-Moyeu Jaune	Radkappe	
17	322110690/0	2	Hub Cap White	Coprimozzo Bianco	Couvre-Moyeu Blanche	Radkappe	
17	322110683/0	2	Hub Cap Grey	Coprimozzo Grigio	Couvre-Moyeu Gris	Radkappe	
18	322785385/0	1	Support, Wheels	Supporto Ruote	Support Roue	Halter, Rad	



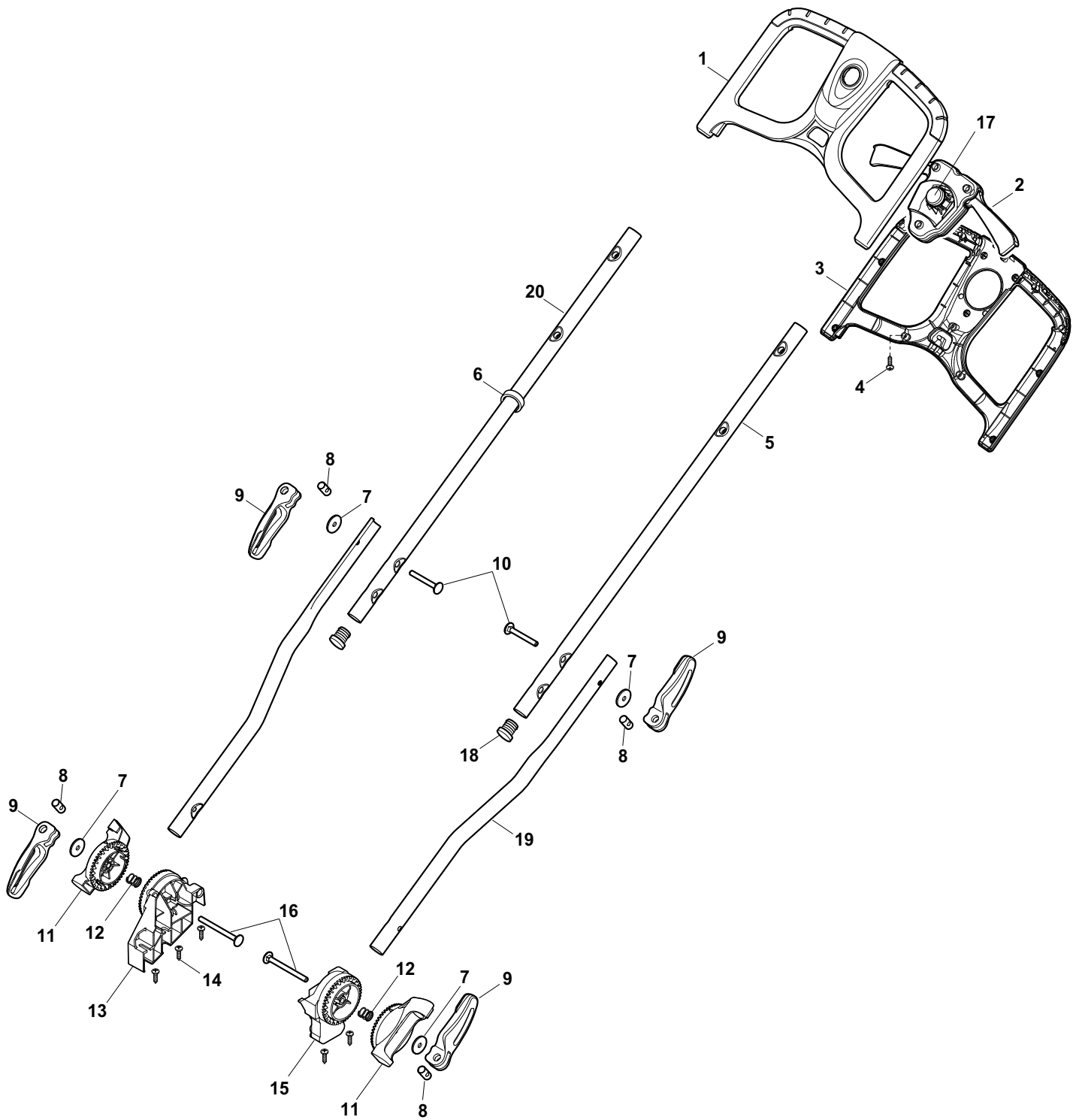
POS	PART. NO	Q.ty	DESCRIPTION	DESCRIZIONE	DESCRIPTION	BESCHREIBUNG	REMARKS
1	322066760/0	1	Deck Grey	Chassis Grigio	Châssis Gris	Gehäuse Grau	
2	322785387/0	1	Support, Wheels	Supporto Ruote	Support Roue	Halter, Rad	
3	322686105/0	2	Wheel Ø 250	Ruota Ø 250	Roue Ø 250	Rad Ø 250	
4	322110637/0	2	Hub Cap Grey	Coprimozzo Grigio	Couvre-Moyeu Gris	Radkappe Grau	
5	112604903/0	4	Crown Fastener	Fissatore A Corona	Fixateur A Couronne	Kronescheibe	
6	122033425/0	1	Axle, Rear Wheels	Asse Ruote Posteriore	Axe Roues Arriere	Achse, Hinterrad	
7	322545142/0	2	Plate	Piastrina	Plaquette	Plättchen	
8	112728714/0	8	Screw	Vite	Vis	Schraube	
9	322785388/0	1	Lever, Height Adjustment	Leva Regolazione Altezza	Levier Reglage Hauteur	Hebel, Höneverstellung	
10	322524354/0	1	Pin	Perno	Goupille	Stift	
11	122446195/0	1	Spring	Molla	Ressort	Feder	
12	322869680/0	1	Rod, Height Adjustment Grey	Asta Comando Regol. Altezza Grigio	Tige Commande Reglage Hauteur Gris	Stange, Höneverstellung Grau	
12	322869685/0	1	Rod, Height Adjustment Black	Asta Comando Regol. Altezza Nero	Tige Commande Reglage Hauteur Noir	Stange, Höneverstellung Schwarz	
13	322785415/0	2	Plate	Piastrina	Plaquette	Plättchen	
14	122033424/0	1	Axle, Front Wheels	Asse Ruote Anteriore	Axe Roues Avant	Achse, Vorderrad	
15	322785386/0	1	Support, Wheels Grey	Supporto Ruote Grigio	Support Roue Gris	Halter, Rad Grau	
15	322785422/0	1	Support, Wheels Black	Supporto Ruote Nero	Support Roue Noir	Halter, Rad Schwarz	
16	322686104/0	2	Wheel Ø 150	Ruota Ø 150	Roue Ø 150	Rad Ø 150	
17	322110685/0	2	Hub Cap Grey	Coprimozzo Grigio	Couvre-Moyeu Gris	Radkappe Grau	
18	322785385/0	1	Support, Wheels	Supporto Ruote	Support Roue	Halter, Rad	



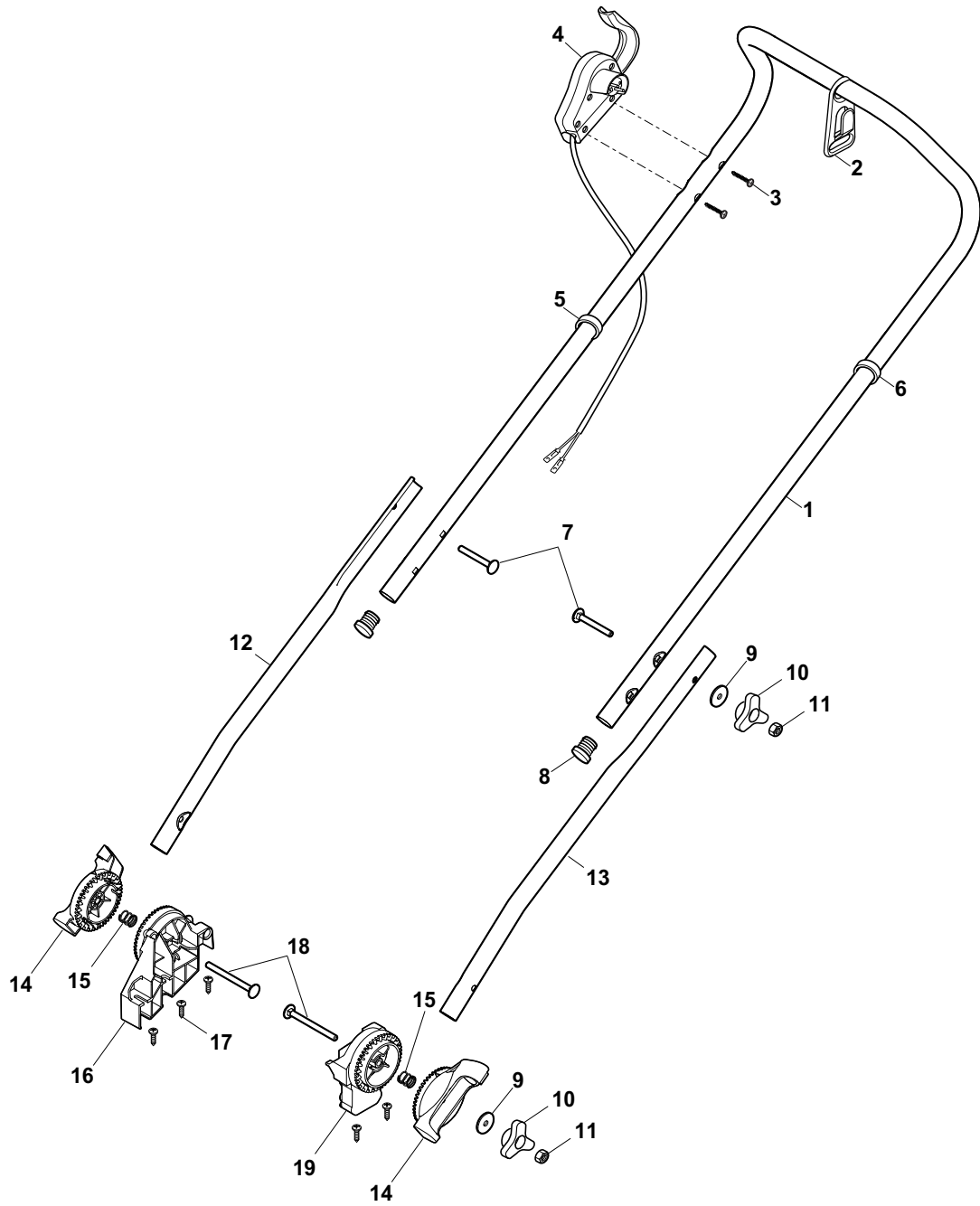
POS	PART. NO	Q.ty	DESCRIPTION	DESCRIZIONE	DESCRIPTION	BESCHREIBUNG	REMARKS
1	322055168/0	1	Frontal Plate	Piastra Frontale	Avant Plaquette	Front Plättchen	
2	322055166/0	1	Deck Red	Chassis Rosso	Châssis Rouge	Gehäuse Rot	
3	112728714/0	10	Screw	Vite	Vis	Schraube	
5	322393662/0	1	Handle	Maniglia	Poignée	Griff	
6	122450470/0	1	Spring	Molla	Ressort	Feder	
7	322524356/0	1	Pin	Perno	Goupille	Stift	
8	322600235/0	1	Stone-Guard	Parasassi	Pare-Pierres	Prallblech	
9	322486299/0	1	Grass-Box, R Lower	Sacco, Parte Inf Dx	Sac, Partie Inferieure D	Korb, R Unterteil	
10	322486300/0	1	Grass-Box, L Lower	Sacco, Parte Inf Sx	Sac, Partie Inferieure G	Korb, L Unterteil	
11	322486309/0	1	Grass-Box, Upper Red	Sacco, Parte Superiore Rosso	Sac, Partie Superieure Rouge	Korb, Oberteil Rot	
11	322486308/0	1	Grass-Box, Upper White	Sacco, Parte Superiore Bianco	Sac, Partie Superieure Blanche	Korb, Oberteil Vit	
11	322486323/0	1	Grass-Box, Upper Yellow	Sacco, Parte Superiore Giallo	Sac, Partie Superieure Jaune	Korb, Oberteil Gelb	
11	322486329/0	1	Grass-Box, Upper Grey	Sacco, Parte Superiore Grigio	Sac, Partie Superieure Gris	Korb, Oberteil Grau	
12	322393656/0	1	Handle	Maniglia	Poignée	Griff	
16	322140242/0	1	Mulching Plug	Tappo Mulching	Bouchon Mulching	Gummistopfen Mulching	
20	322076570/0	1	Battery Safety Key	Chiave Sicurezza Batteria	Battery Safety Key	Battery Safety Key	
21	322545222/0	1	Battery door fix plate	Piastrina	Battery door fix plate	Battery door fix plate	
22	322055167/0	1	Cover	Capottina	Capot	Haube	
23	122450473/0	1	Spring	Molla	Ressort	Feder	



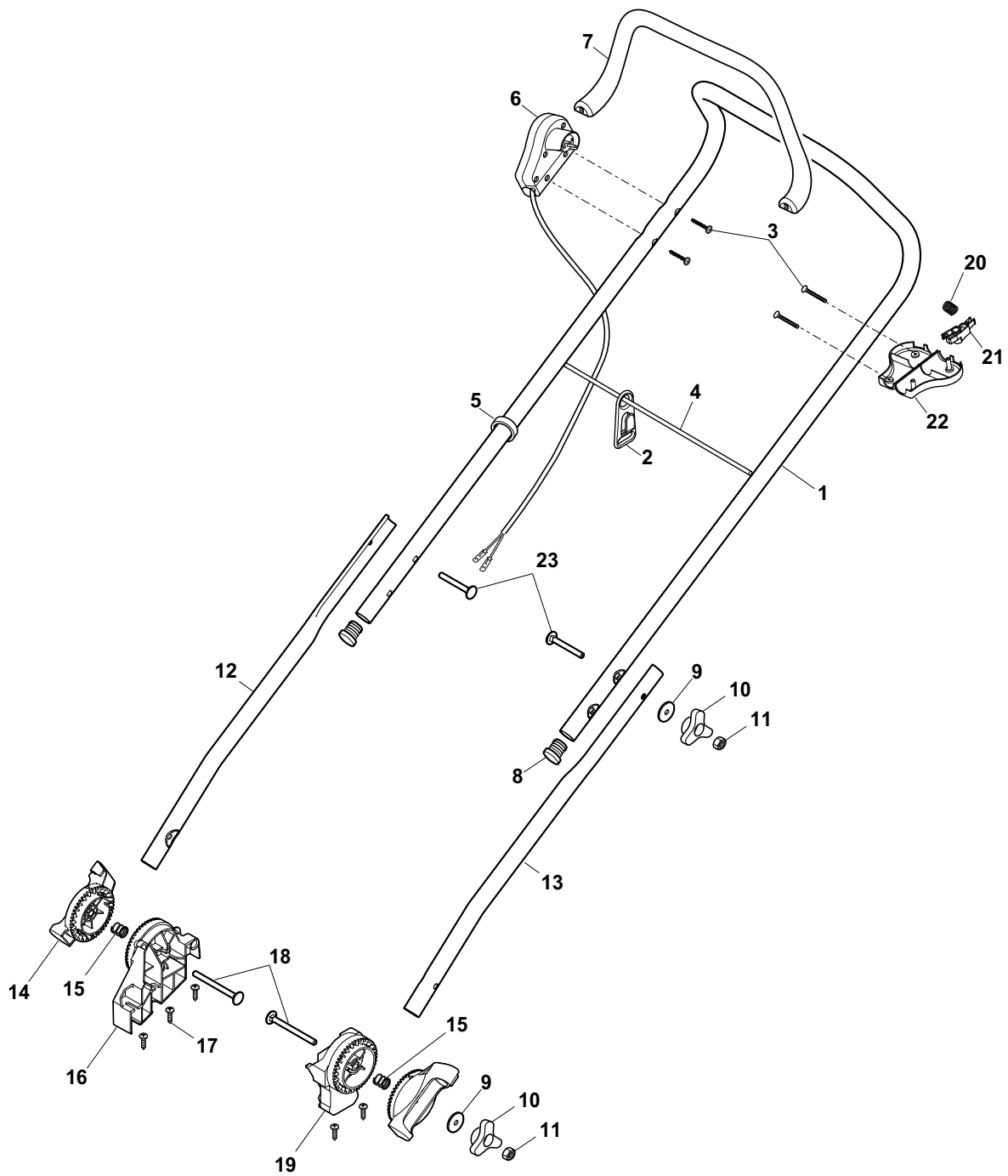
POS	PART. NO	Q.ty	DESCRIPTION	DESCRIZIONE	DESCRIPTION	BESCHREIBUNG	REMARKS
1	322055168/0	1	Frontal Plate	Piastra Frontale	Avant Plaquette	Front Plättchen	
2	322055164/0	1	Deck Red	Chassis Rosso	Châssis Rouge	Gehäuse Rot	
3	322109856/0	1	Right Side Cover	Copertura Laterare Destra	Couvre latéral Droit	Rechte Seitentür	
4	322109854/0	1	Left Side Cover	Copertura Laterare Sinistra	Couvre latéral Gauche	Linke Seitentür	
5	112728714/0	10	Screw	Vite	Vis	Schraube	
6	122450470/0	1	Spring	Molla	Ressort	Feder	
7	322524356/0	1	Pin	Perno	Goupille	Stift	
8	322600242/0	1	Stone-Guard	Parasassi	Pare-Pierres	Prallblech	
9	322486293/0	1	Grass-Box, R Lower	Sacco, Parte Inf Dx	Sac, Partie Inferieure D	Korb, R Unterteil	
10	322486294/0	1	Grass-Box, L Lower	Sacco, Parte Inf Sx	Sac, Partie Inferieure G	Korb, L Unterteil	
11	322486309/0	1	Grass-Box, Upper Red	Sacco, Parte Sup. Rosso	Sac, Partie Sup. Rouge	Korb, Oberteil Rot	
11	322486308/0	1	Grass-Box, Upper White	Sacco, Parte Sup. Bianco	Sac, Partie Sup. Blanche	Korb, Oberteil Vit	
11	322486323/0	1	Grass-Box, Upper Yellow	Sacco, Parte Sup. Giallo	Sac, Partie Sup. Jaune	Korb, Oberteil Gelb	
11	322486329/0	1	Grass-Box, Upper Grey	Sacco, Parte Sup. Grigio	Sac, Partie Sup. Gris	Korb, Oberteil Grau	
12	322393656/0	1	Handle	Maniglia	Poignée	Griff	
13	322393660/0	1	Handle	Maniglia	Poignée	Griff	
17	322076570/0	1	Battery Safety Key	Chiave Sicurezza Batteria	Battery Safety Key	Battery Safety Key	
18	322140242/0	1	Mulching Plug	Tappo Mulching	Bouchon Mulching	Gummistopfen Mulching	
19	322545222/0	1	Battery door fix plate	Piastrina	Battery door fix plate	Battery door fix plate	
20	322055165/0	1	Cover	Capottina	Capot	Haube	
21	122450473/0	1	Spring	Molla	Ressort	Feder	



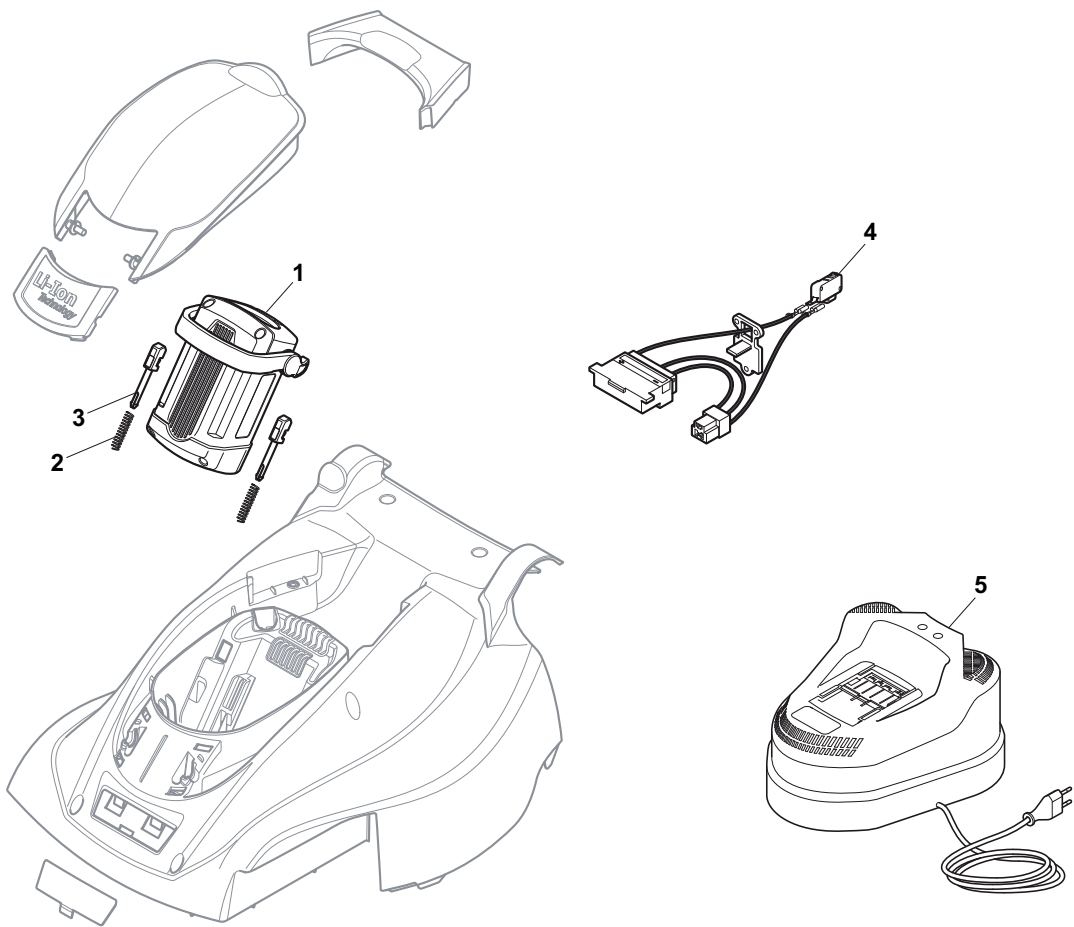
POS	PART. NO	Q.ty	DESCRIPTION	DESCRIZIONE	DESCRIPTION	BESCHREIBUNG	REMARKS
1	322291032/0	1	Upper Half Handgrip Switch	Semiinpugnatura Sup. Salvamotore	Poignée Demi Sup. Int. Main Morte	Oberteil Hälfte Tot Manschalter	
2	381600524/0	1	Dead Hand Switch	Salvamotore	Int. Main Morte	Tot Manschalter	Yellow
2	381600528/0	1	Dead Hand Switch	Salvamotore	Int. Main Morte	Tot Manschalter	Red
3	322291033/0	1	Lower Half Handgrip Switch	Semiinpugnatura Inf. Salvamotore	Poignée Demi Inferiore Int. Main Morte	Untere Hälfte Tot Manschalter	
4	112728713/0	11	Screw	Vite	Vis	Schraube	
5	381007515/0	1	Handle, Lower Part Left	Manico, Parte Inf	Mancheron, Partie Inferieure	Holm, Unterteil	
6	122192000/1	1	Clamp	Fascetta	Collier	Bowdenzughalter	
7	112523050/0	4	Washer	Rosetta	Rondelle	Scheibe	
8	122524352/0	4	Pin	Perno	Goupille	Stift	
9	322319519/0	4	Fixing Lever Handle	Leva Fix Manico	Fixation de la poignée de levier	Fixing Hebelgriff	
9	322319520/0	4	Fixing Lever Handle	Leva Fix Manico	Fixation de la poignée de levier	Fixing Hebelgriff	
10	122943016/0	2	Screw	Vite	Vis	Schraube	
11	322246100/0	2	Handle Joint Grey	Giunto Manico Grigio	Mancheron Jointe Gris	Gelenk Grau	
12	122430210/0	2	Spring	Molla	Ressort	Feder	
13	322745052/0	2	Right Joint	Giunto Destro	Jointe Droite	Gelenk Rechte	
14	112728714/0	5	Screw	Vite	Vis	Schraube	
15	322745051/0	1	Left Joint	Giunto Sinistro	Jointe Gauche	Gelenk Linke	
16	122943017/0	2	Screw	Vite	Vis	Schraube	
18	118566112/0	2	Cap	Puntale	Bouchon	Gummistopfen	
19	381007513/0	2	Handle, Lower Part	Manico, Parte Inf	Mancheron, Partie Inferieure	Holm, Unterteil	
20	381007514/0	1	Handle, Upper Part Right	Manico, Parte Inf	Mancheron, Partie Inferieure	Holm, Unterteil	



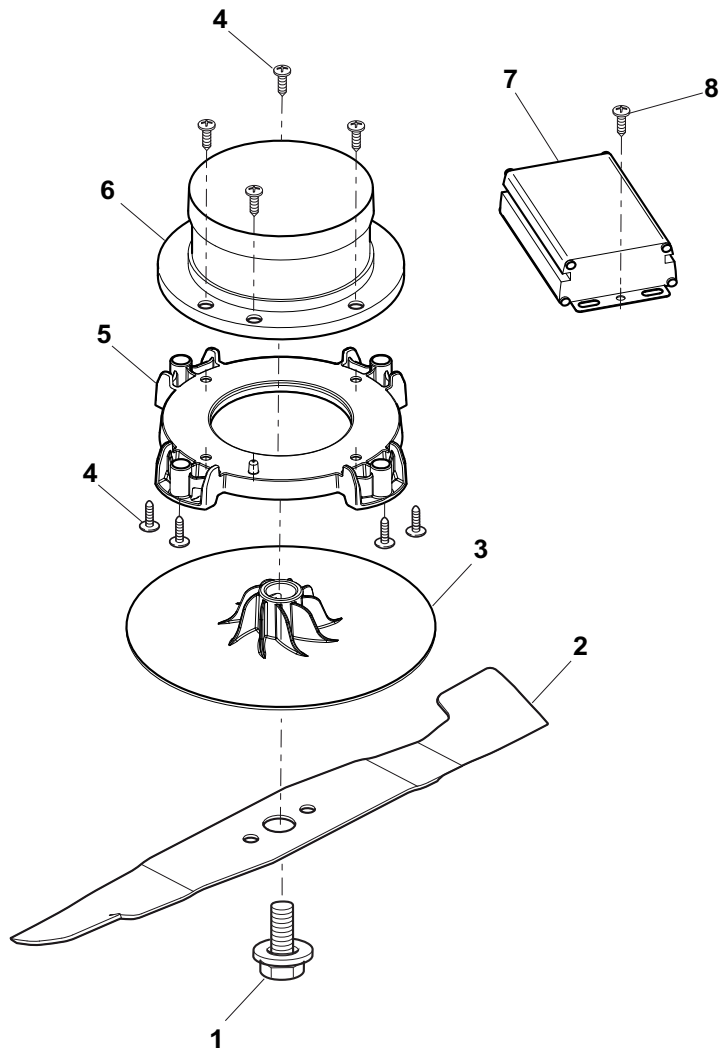
POS	PART. NO	Q.ty	DESCRIPTION	DESCRIZIONE	DESCRIPTION	BESCHREIBUNG	REMARKS
1	381007516/0	1	Handle, Upper Part	Manico, Parte Sup	Mancheron, Partie Superieure	Holm, Oberteil	
2	322195101/4	1	Fairlead	Fermacavo	Fixation Cable	Kabelbefestigung	
3	112728701/0	2	Screw	Vite	Vis	Schraube	
4	381600500/2	1	Dead Hand Switch	Salvamotore	Int. Main Morte	Tot Manschalter	CE
4	381600501/2	1	Dead Hand Switch	Salvamotore	Int. Main Morte	Tot Manschalter	CH
4	381600502/2	1	Dead Hand Switch	Salvamotore	Int. Main Morte	Tot Manschalter	UK
5	122192000/1	1	Fairlead	Fermacavo	Fixation Cable	Kabelbefestigung	
6	22192151/0	1	Fairlead	Fermacavo	Fixation Cable	Kabelbefestigung	
7	122943016/0	2	Screw	Vite	Vis	Schraube	
8	118566112/0	2	Cap	Puntale	Bouchon	Gummistopfen	
9	112523050/0	4	Washer	Rosetta	Rondelle	Scheibe	
10	122399900/0	4	Black Knob	Manopolina Nera	Poignée Noir	Griff Svart	
11	112154521/0	4	Nut	Dado	Ecrou	Mutter	
12	381007517/0	1	Right Handle, Lower Part	Manico, Parte Inf Dx	Mancheron, Partie Inferieure Droite	Holm, Rechte Unterteil	
13	381007518/0	1	Left Handle, Lower Part	Manico, Parte Inf Sx	Mancheron, Partie Inferieure Gauche	Holm, Linke Unterteil	
14	322246100/0	2	Handle Joint Grey	Giunto Manico Grigio	Mancheron Jointe Gris	Gelenk Grau	
15	122430210/0	2	Spring	Molla	Ressort	Feder	
16	322745052/0	2	Right Joint	Giunto Destro	Jointe Droite	Gelenk Rechte	
17	112728714/0	5	Screw	Vite	Vis	Schraube	
18	122943017/0	2	Screw	Vite	Vis	Schraube	
19	322745051/0	1	Left Joint	Giunto Sinistro	Jointe Gauche	Gelenk Linke	



POS	PART. NO	Q.ty	DESCRIPTION	DESCRIZIONE	DESCRIPTION	BESCHREIBUNG	REMARKS
1	381007516/0	1	Handle, Upper Part	Manico, Parte Sup	Mancheron, Partie Superieure	Holm, Oberteil	
2	322195101/4	1	Fairlead	Fermacavo	Fixation Cable	Kabelbefestigung	
3	112728701/0	4	Screw	Vite	Vis	Schraube	
4	22010250/0	1	Rod, Fairlead Bearing	Asta Aggancio	tige Support	Stift	
5	122192000/1	1	Fairlead	Fermacavo	Fixation Cable	Kabelbefestigung	
6	381600503/4	1	Dead Hand Switch	Salvamotore	Int. Main Morte	Tot Manschalter	CE
6	381600504/4	1	Dead Hand Switch	Salvamotore	Int. Main Morte	Tot Manschalter	CH
6	381600505/3	1	Dead Hand Switch	Salvamotore	Int. Main Morte	Tot Manschalter	UK
7	322322880/1	1	Handgrip Black	Impugnatura Manico Nera	Poignée Noire	Handgriff Schwarz	
7	322322882/1	1	Handgrip Red	Impugnatura Manico Rossa	Poignée Rouge	Handgriff Rot	
7	322322883/1	1	Handgrip Yellow	Impugnatura Manico Gialla	Poignée Jaune	Handgriff Gelb	
8	118566112/0	2	Cap	Puntale	Bouchon	Gummistopfen	
9	112523050/0	4	Washer	Rosetta	Rondelle	Scheibe	
10	122399900/0	4	Black Knob	Manopolina Nera	Poignée Noir	Griff Svart	
11	112154521/0	4	Nut	Dado	Ecrou	Mutter	
12	381007517/0	1	Right Handle, Lower Part	Manico, Parte Inf Dx	Mancheron, Partie Inferieure Droite	Holm, Rechte Unterteil	
13	381007518/0	1	Left Handle, Lower Part	Manico, Parte Inf Sx	Mancheron, Partie Inferieure Gauche	Holm, Linke Unterteil	
14	322246100/0	2	Handle Joint Grey	Giunto Manico Grigio	Mancheron Jointe Gris	Gelenk Grau	
15	122430210/0	2	Spring	Molla	Ressort	Feder	
16	322745052/0	2	Right Joint	Giunto Destro	Jointe Droite	Gelenk Rechte	
17	112728714/0	5	Screw	Vite	Vis	Schraube	
18	122943017/0	2	Screw	Vite	Vis	Schraube	
19	322745051/0	1	Left Joint	Giunto Sinistro	Jointe Gauche	Gelenk Linke	
20	22450115/0	1	Spring	Molla	Ressort	Feder	
21	322230350/1	1	Fulcrum Pin	Fulcro	Point D'Appui	Gelenkpunkt	
22	322785144/1	1	Support	Supporto	Support	Halter	
23	122943016/0	2	Screw	Vite	Vis	Schraube	



POS	PART. NO	Q.ty	DESCRIPTION	DESCRIZIONE	DESCRIPTION	BESCHREIBUNG	REMARKS
1	381600529/0	1	Battery Ass.y	Ass. Batteria	Batterie	Batterie	
2	122450472/0	1	Spring	Molla	Ressort	Feder	
3	322524356/0	1	Pin	Perno	Goupille	Stift	
4	118210025/0	1	Controller	Controller	Controller	Controller	
5	118204132/0	1	Battery Charger	Carica Batteria	Chargeur De Batterie	Ladgerät	CE
5	118204133/0	1	Battery Charger	Carica Batteria	Chargeur De Batterie	Ladgerät	UK



POS	PART. NO	Q.ty	DESCRIPTION	DESCRIZIONE	DESCRIPTION	BESCHREIBUNG	REMARKS
1	381004352/1	1	Screw	Vite	Vis	Schraube	
2	181004156/0	1	Blade	Coltello	Lame	Messer	
3	322465644/0	1	Hub Fan	Mozzo Girante	Moyeu Ventilateur	Läufendenabe	
4	112728699/0	8	Screw	Vite	Vis	Schraube	
5	322207227/0	1	Flange	Flangia	Bride	Flansch	
6	118563513/0	1	Battery Motor	Motore Batteria	Moteur De la Batterie	Battery Motor	
7	118206001/0	1	Controller	Controller	Controller	Controller	
8	112728714/0	1	Screw	Vite	Vis	Schraube	