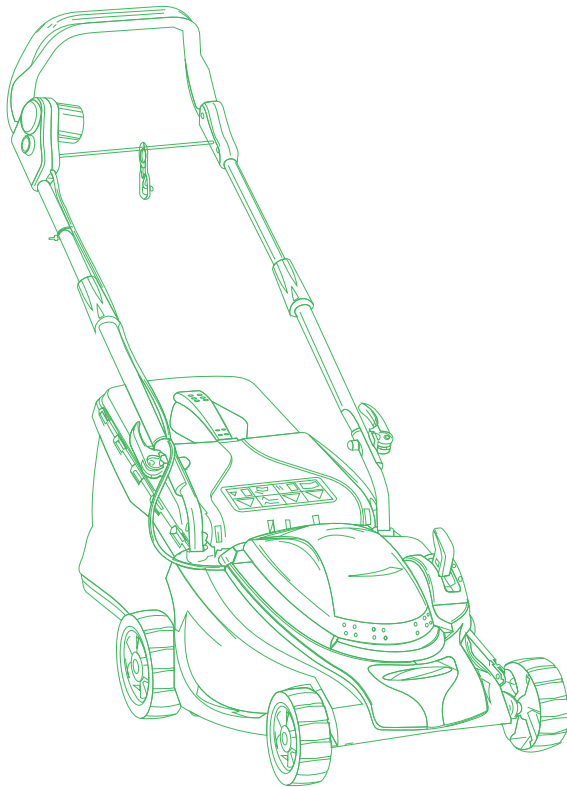


# ILLUSTRATED PARTS LIST

## CSL 480 WSQ CRL 480 WSQ



- Use GLOBAL GARDEN PRODUCT Genuine Spare Parts specified in the parts list for repair and/or replacement.
- The contents described in the parts list may change due to improvement.
- The drawings of the spare parts are only indicative and might not represent the part in question exactly.
- The indications "right" - "left" - "front" - "rear" refer to the position of the operator when using the machine.
- When placing orders of parts for repair and/or replacement, make sure that the illustrated parts list is the one applying to the machine's year of manufacture, as shown on the identification plate attached to the machine.

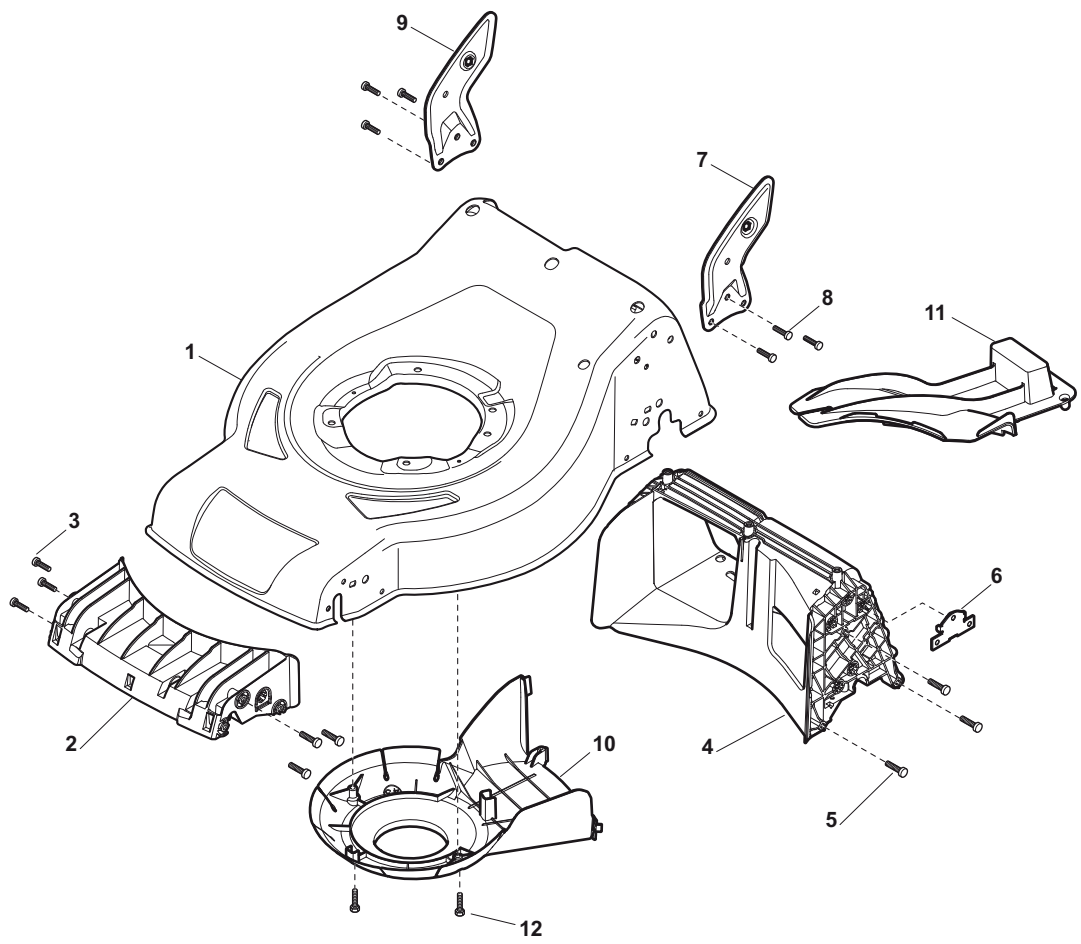
© Copyright 2012 Global Garden Products

All content is subject to copyright by Global Garden Products and may not be reproduced in whole or in part by any means, electronic or otherwise, without prior written approval.

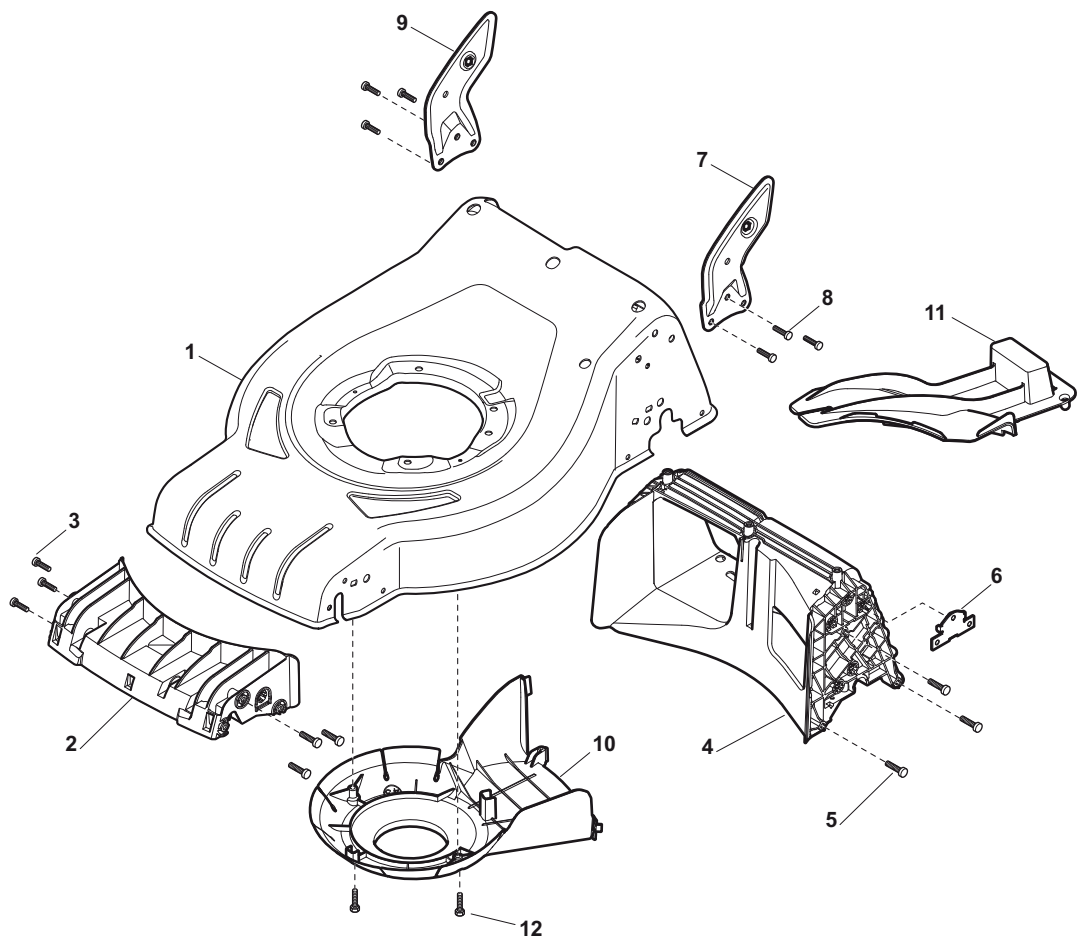
THIS INFORMATION IS NOT INTENDED FOR SALE OR RESALE, AND THIS NOTICE MUST REMAIN ON ALL COPIES.



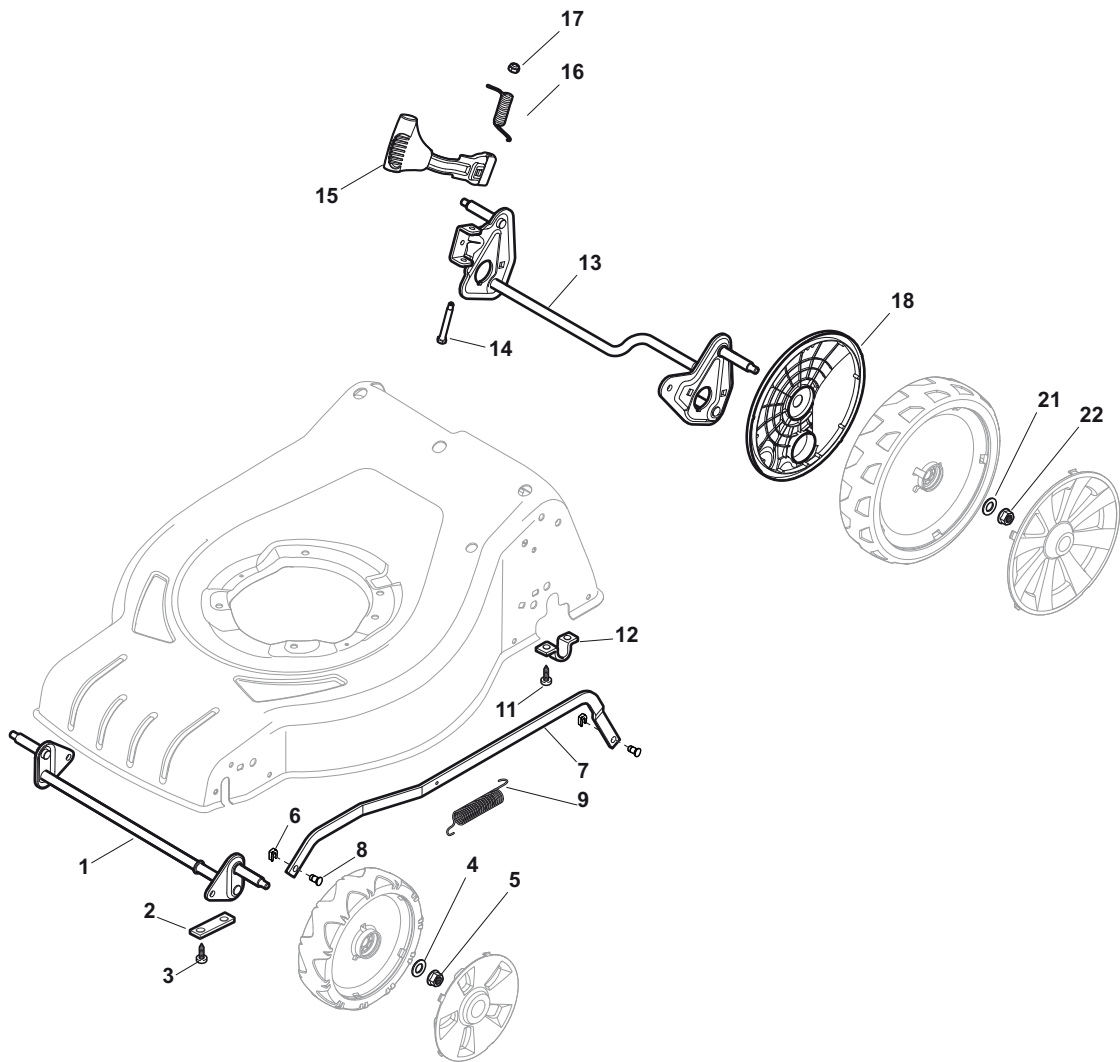
GLOBAL GARDEN PRODUCTS



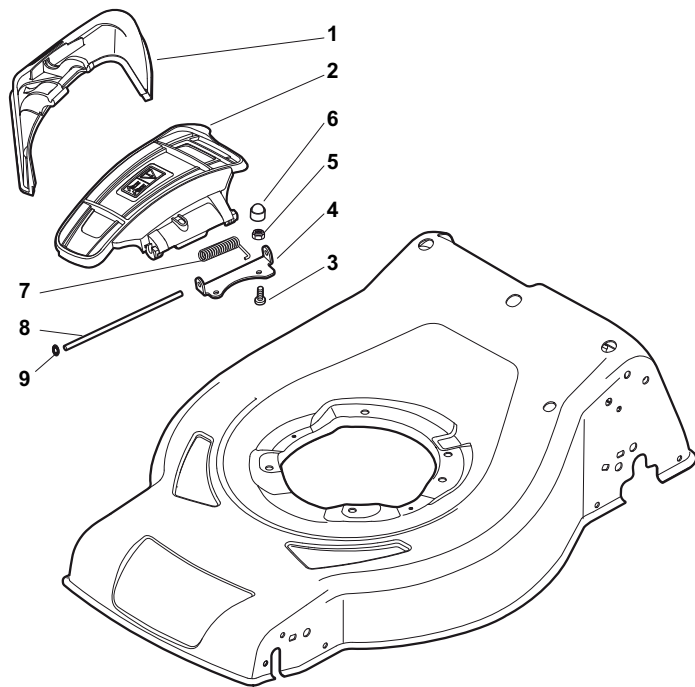
| POS | PART. NO    | Q.ty | DESCRIPTION         | DESCRIZIONE         | DESCRIPTION          | BESCHREIBUNG          | REMARKS        |
|-----|-------------|------|---------------------|---------------------|----------------------|-----------------------|----------------|
| 1   | 381004547/0 | 1    | Deck Red            | Chassis Rosso       | Châssis Rouge        | Gehäuse Rot           | Side Discharge |
| 2   | 322108301/1 | 1    | Front Conveyor Assy | Convogl. Anteriore  | Ens. Convoyeur Avant | Hinterleitblechvorder |                |
| 3   | 112728699/0 | 6    | Screw               | Vite                | Vis                  | Schraube              |                |
| 4   | 322108302/0 | 1    | Rear Conveyor Assy  | Convogl. Posteriore | Ens. Convoyeur Post. | Hinterleitblechsatz   |                |
| 5   | 112728699/0 | 6    | Screw               | Vite                | Vis                  | Schraube              |                |
| 6   | 322545213/0 | 2    | Plate               | Piastrina           | Plaquette            | Platte                |                |
| 7   | 381005139/0 | 1    | Bracket, L          | Staffa Sx           | Bride G              | Pratze, Linke         |                |
| 8   | 112727801/0 | 6    | Screw               | Vite                | Vis                  | Schraube              |                |
| 9   | 381005137/0 | 1    | Bracket, R          | Staffa Dx           | Bride D              | Pratze, Rechte        |                |
| 10  | 322060242/0 | 1    | Protection, Belt    | Carter Cinghia      | Protection Courroire | Schutz, Riemen        |                |
| 11  | 322140239/0 | 1    | Deflector           | Deflettore          | Deflecteur           | Deflektor             |                |
| 12  | 12728530/0  | 2    | Screw               | Vite                | Vis                  | Schraube              |                |



| POS | PART. NO    | Q.ty | DESCRIPTION         | DESCRIZIONE         | DESCRIPTION          | BESCHREIBUNG          | REMARKS        |
|-----|-------------|------|---------------------|---------------------|----------------------|-----------------------|----------------|
| 1   | 381004617/0 | 1    | Deck Red            | Chassis Rosso       | Châssis Rouge        | Gehäuse Rot           | Side Discharge |
| 2   | 322108301/1 | 1    | Front Conveyor Assy | Convogl. Anteriore  | Ens. Convoyeur Avant | Hinterleitblechvorder |                |
| 3   | 112728699/0 | 6    | Screw               | Vite                | Vis                  | Schraube              |                |
| 4   | 322108302/0 | 1    | Rear Conveyor Assy  | Convogl. Posteriore | Ens. Convoyeur Post. | Hinterleitblechsatz   |                |
| 5   | 112728699/0 | 6    | Screw               | Vite                | Vis                  | Schraube              |                |
| 6   | 322545213/0 | 2    | Plate               | Piastrina           | Plaquette            | Platte                |                |
| 7   | 381005139/0 | 1    | Bracket, L          | Staffa Sx           | Bride G              | Pratze, Linke         |                |
| 8   | 112727801/0 | 6    | Screw               | Vite                | Vis                  | Schraube              |                |
| 9   | 381005137/0 | 1    | Bracket, R          | Staffa Dx           | Bride D              | Pratze, Rechte        |                |
| 10  | 322060242/0 | 1    | Protection, Belt    | Carter Cinghia      | Protection Courroire | Schutz, Riemen        |                |
| 11  | 322140239/0 | 1    | Deflector           | Deflettore          | Deflecteur           | Deflektor             |                |
| 12  | 12728530/0  | 2    | Screw               | Vite                | Vis                  | Schraube              |                |

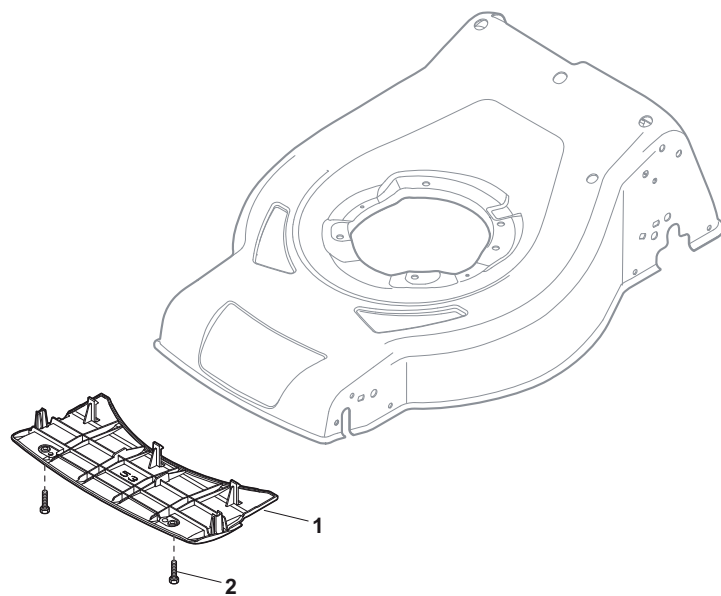


| POS | PART. NO    | Q.ty | DESCRIPTION              | DESCRIZIONE                 | DESCRIPTION                   | BESCHREIBUNG            | REMARKS       |
|-----|-------------|------|--------------------------|-----------------------------|-------------------------------|-------------------------|---------------|
| 1   | 381302821/0 | 1    | Axle, Front Wheels       | Asse Ruote Anteriori        | Axe Roues Avant               | Achse, Vorderrad        |               |
| 2   | 22545142/0  | 2    | Plate                    | Piastrina                   | Plaquette                     | Platte                  |               |
| 3   | 112728698/0 | 4    | Screw                    | Vite                        | Vis                           | Schraube                |               |
| 4   | 12521350/0  | 2    | Washer                   | Rosetta                     | Rondelle                      | Scheibe                 |               |
| 5   | 12155000/0  | 2    | Nut                      | Dado                        | Ecrou                         | Mutter                  |               |
| 6   | 112436051/0 | 2    | Plate                    | Piastrina                   | Plaquette                     | Plättchen               |               |
| 7   | 322869673/0 | 1    | Rod, Height Adjustment   | Asta Comando Regol. Altezza | Tige Commande Reglage Hauteur | Stange, Höheverstellung | GGP-Honda-B&S |
| 7   | 322869683/0 | 1    | Rod, Height Adjustment   | Asta Comando Regol. Altezza | Tige Commande Reglage Hauteur | Stange, Höheverstellung | B&S E Series  |
| 8   | 122519820/0 | 2    | Pin                      | Perno                       | Pivot                         | Bolzen                  |               |
| 9   | 122446193/0 | 1    | Spring                   | Molla                       | Ressort                       | Feder                   |               |
| 11  | 112728698/0 | 4    | Screw                    | Vite                        | Vis                           | Schraube                |               |
| 12  | 22545152/0  | 2    | Plate                    | Piastrina                   | Plaquette                     | Platte                  |               |
| 13  | 381302817/0 | 1    | Axle, Rear Wheels        | Asse Ruote Posteriori       | Axe Roues Arriere             | Achse, Hinterrad        |               |
| 14  | 122534131/0 | 1    | Pin                      | Perno                       | Pivot                         | Bolzen                  |               |
| 15  | 381003357/0 | 1    | Lever, Height Adjustment | Leva Regolazione Altezza    | Levier, Reglage Hauteur       | Hebel, Höheverstellung  |               |
| 16  | 122446192/0 | 1    | Spring                   | Molla                       | Ressort                       | Feder                   |               |
| 17  | 12154510/0  | 1    | Nut                      | Dado                        | Ecrou                         | Mutter                  |               |
| 18  | 322600205/0 | 2    | Wheel Protection         | Prot. Ruote                 | Protection Roue               | Schütz, Rechtes         |               |
| 21  | 12521350/0  | 2    | Washer                   | Rosetta                     | Rondelle                      | Scheibe                 |               |
| 22  | 12155000/0  | 2    | Nut                      | Dado                        | Ecrou                         | Mutter                  |               |

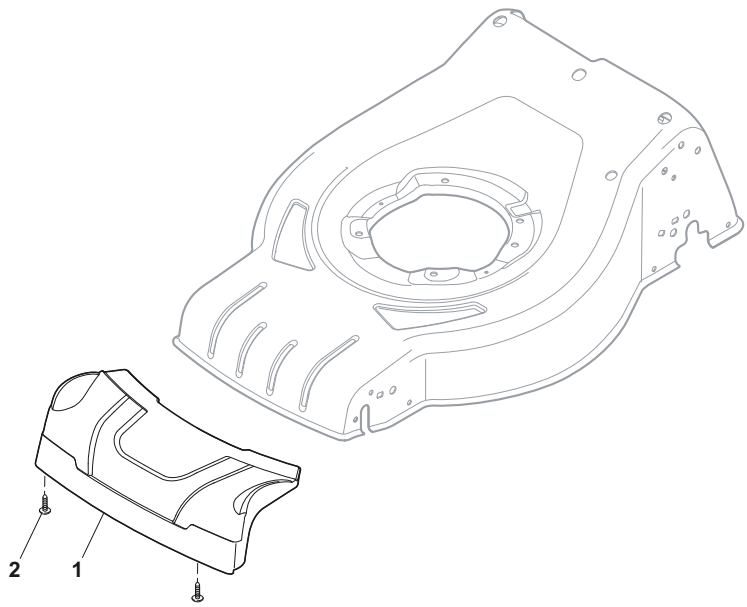




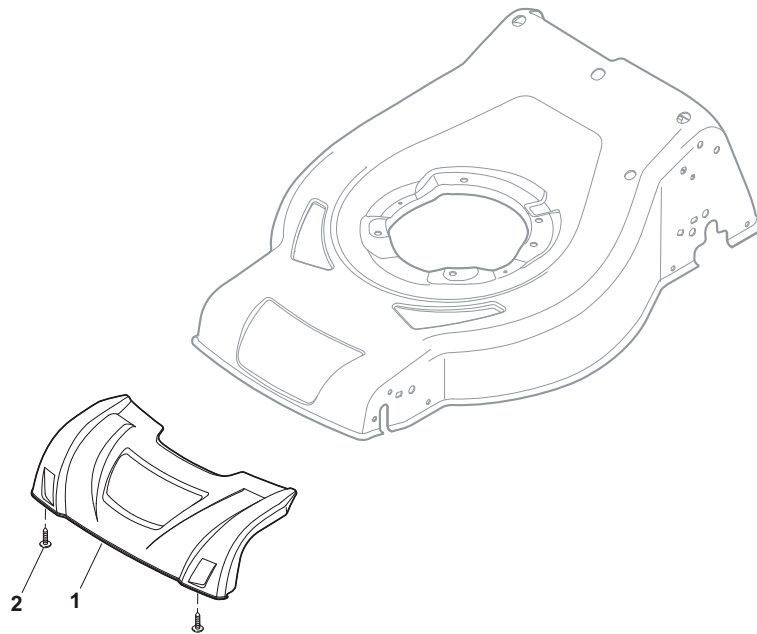
| POS | PART. NO    | Q.ty | DESCRIPTION    | DESCRIZIONE        | DESCRIPTION         | BESCHREIBUNG  | REMARKS |
|-----|-------------|------|----------------|--------------------|---------------------|---------------|---------|
| 1   | 322108309/0 | 1    | Stone-Guard    | Parasassi          | Pare-Pierres        | Prallblech    |         |
| 2   | 322600238/0 | 1    | Ejection Guard | Protezione Uscita  | Protection Sortie   | Auswurfschutz |         |
| 3   | 112727803/0 | 2    | Screw          | Vite               | Vis                 | Schraube      |         |
| 4   | 322806639/0 | 1    | Fulcrum Pin    | Fulcro             | Point D'Appui       | Gelenkpunkt   |         |
| 5   | 12154510/0  | 2    | Nut            | Dado               | Ecrou               | Mutter        |         |
| 6   | 18203853/0  | 2    | Protection     | Cappuccio          | Capuchon            | Stecker       |         |
| 7   | 122450456/0 | 1    | Spring         | Molla              | Ressort             | Feder         |         |
| 8   | 122517869/0 | 1    | Pin            | Perno              | Pivot               | Bolzen        |         |
| 9   | 12604896/0  | 2    | Crown Fastener | Fissatore A Corona | Fixateur A Couronne | Kronescheibe  |         |



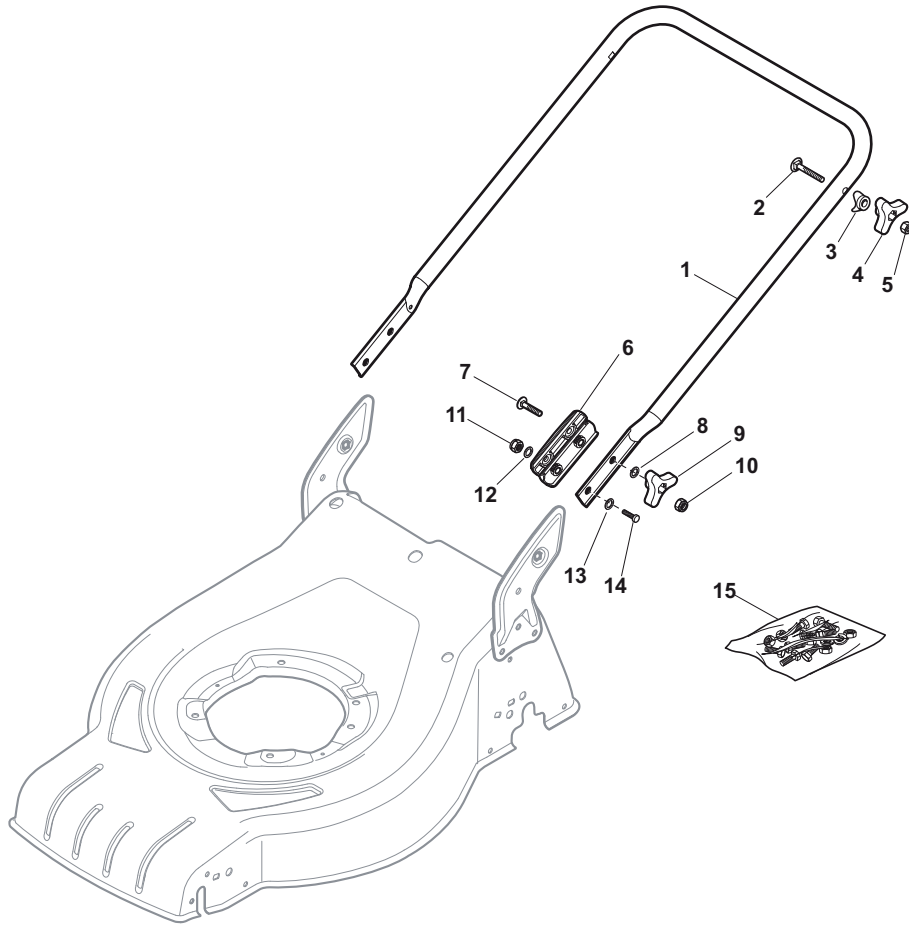
| POS | PART. NO    | Q.ty | DESCRIPTION | DESCRIZIONE       | DESCRIPTION  | BESCHREIBUNG | REMARKS |
|-----|-------------|------|-------------|-------------------|--------------|--------------|---------|
| 1   | 322500106/0 | 1    | Front Combi | Pettine Anteriore | Peigne Avant | Vorne Comb   |         |
| 2   | 112728698/0 | 2    | Screw       | Vite              | Vis          | Schraube     |         |



| POS | PART. NO    | Q.ty | DESCRIPTION | DESCRIZIONE      | DESCRIPTION   | BESCHREIBUNG   | REMARKS |
|-----|-------------|------|-------------|------------------|---------------|----------------|---------|
| 1   | 322226170/0 | 1    | Mask, Black | Mascherina, Nero | Mesque, Noire | Maske, Schwarz |         |
| 2   | 112728698/0 | 2    | Screw       | Vite             | Vis           | Schraube       |         |

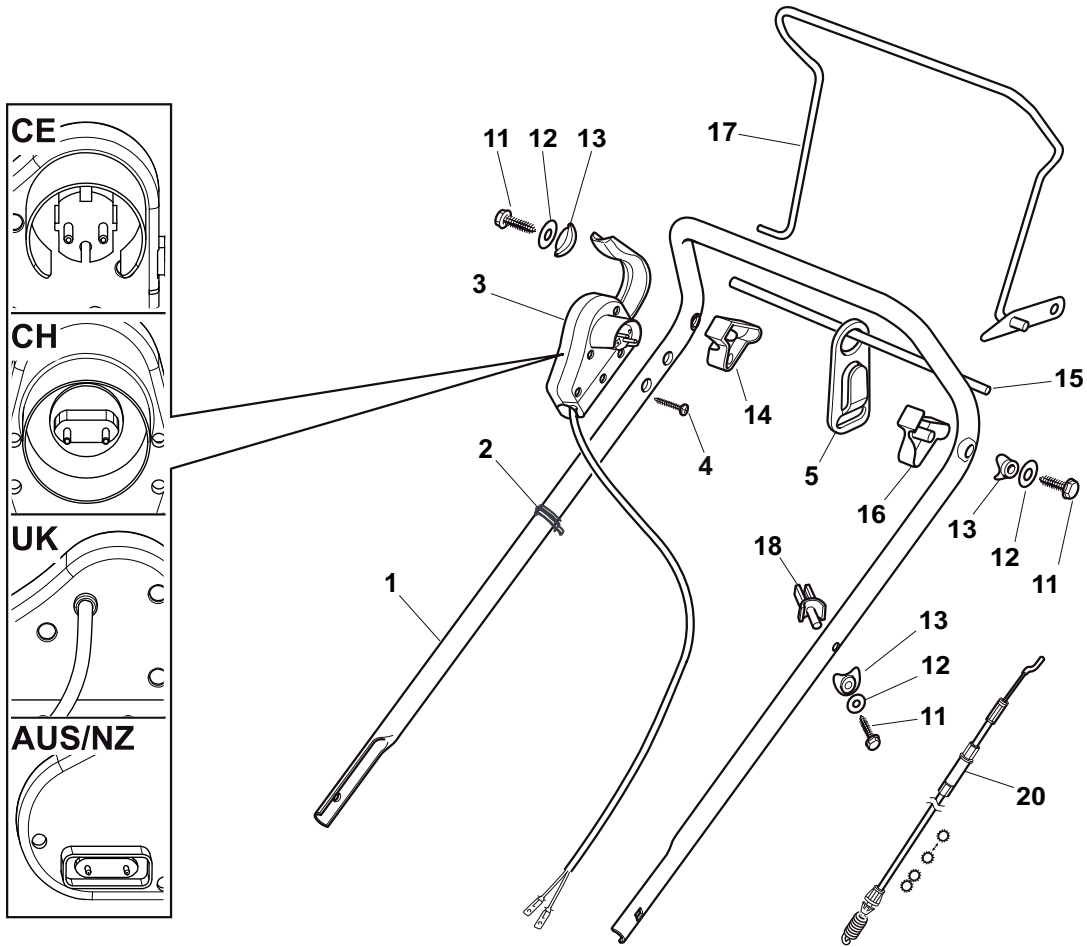


| POS | PART. NO    | Q.ty | DESCRIPTION | DESCRIZIONE      | DESCRIPTION   | BESCHREIBUNG   | REMARKS |
|-----|-------------|------|-------------|------------------|---------------|----------------|---------|
| 1   | 322226168/0 | 1    | Mask, Black | Mascherina, Nero | Mesque, Noire | Maske, Schwarz |         |
| 2   | 112728698/0 | 2    | Screw       | Vite             | Vis           | Schraube       |         |

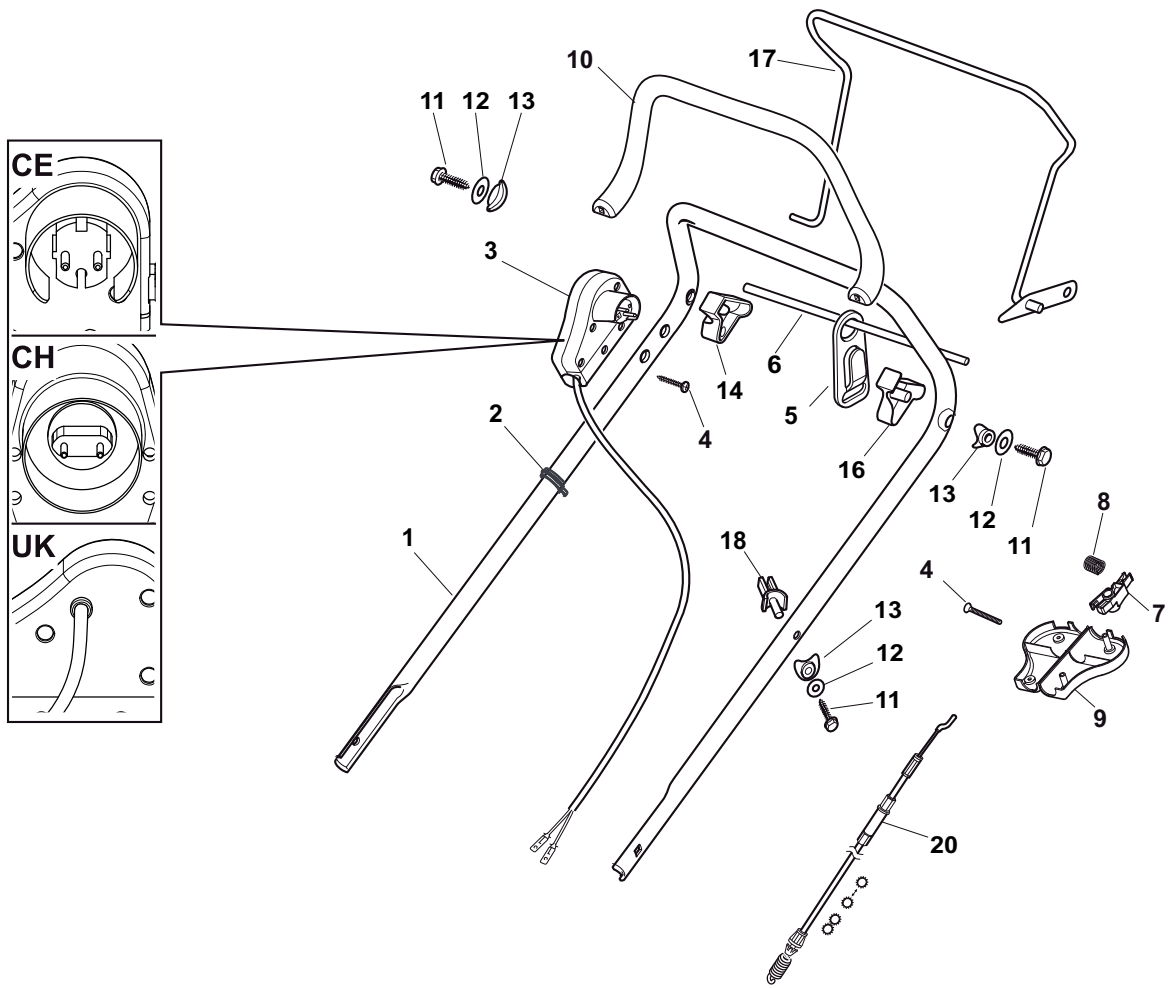




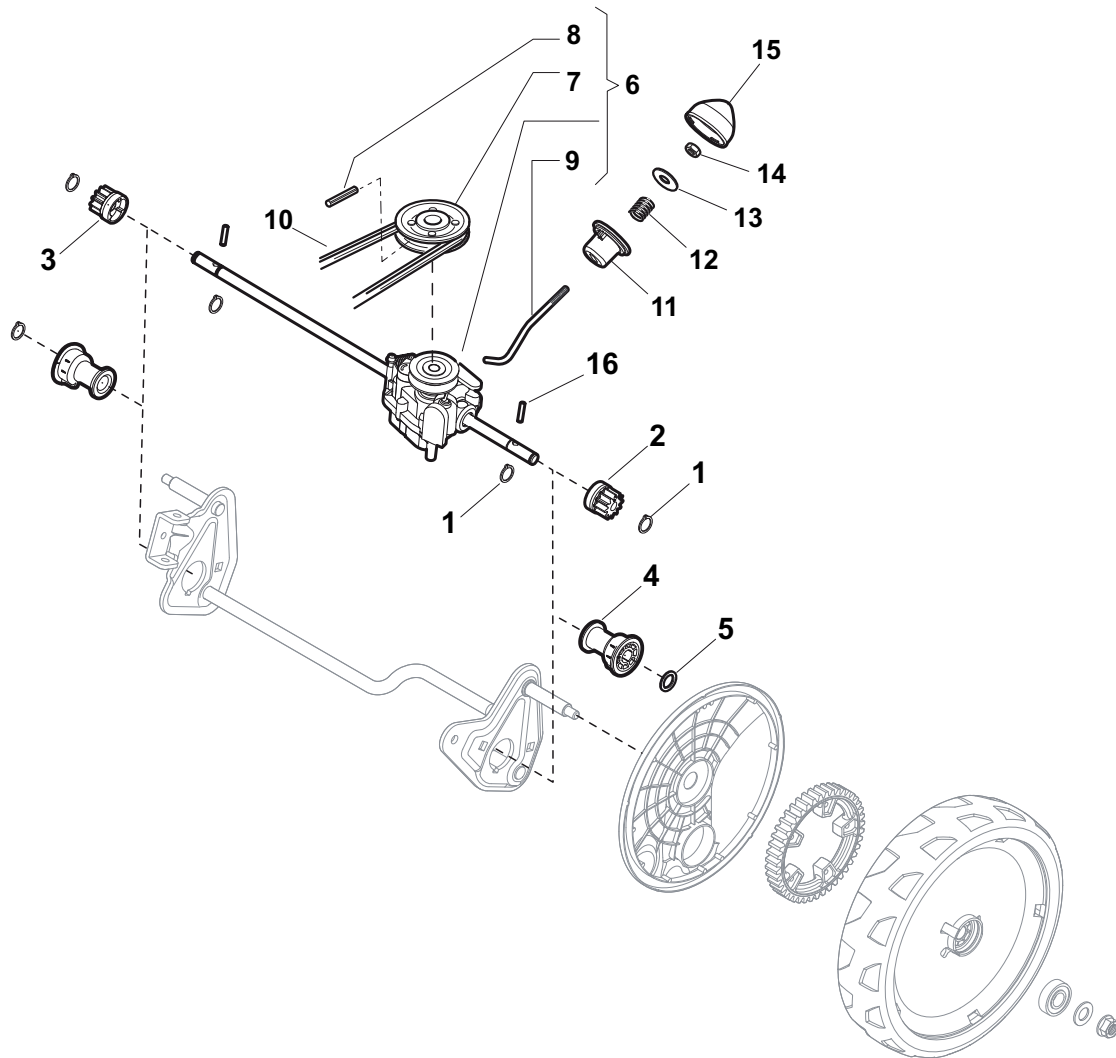
| POS | PART. NO    | Q.ty | DESCRIPTION        | DESCRIZIONE          | DESCRIPTION            | BESCHREIBUNG    | REMARKS |
|-----|-------------|------|--------------------|----------------------|------------------------|-----------------|---------|
| 1   | 381006735/0 | 1    | Handle, Lower Part | Manico, Parte Inf    | Mancheron, Partie Inf. | Holm, Unterteil |         |
| 2   | 12819120/0  | 2    | Screw              | Vite                 | Vis                    | Schraube        |         |
| 3   | 22680006/1  | 2    | Washer             | Rosetta              | Rondelle               | Scheibe         |         |
| 4   | 22399900/0  | 2    | Knob               | Manopolina           | Poignée                | Griff           | Black   |
| 4   | 322399840/0 | 2    | Knob               | Manopolina           | Poignée                | Griff           | Yellow  |
| 5   | 12293200/0  | 2    | Nut                | Dado                 | Ecrou                  | Mutter          |         |
| 6   | 322551582/0 | 2    | Plate              | Piastrina Isolamento | Plaquette              | Platte          |         |
| 7   | 12819110/0  | 2    | Screw              | Vite                 | Vis                    | Schraube        |         |
| 8   | 12523060/0  | 2    | Washer             | Rosetta              | Rondelle               | Scheibe         |         |
| 9   | 22399900/0  | 2    | Knob               | Manopolina           | Poignée                | Griff           | Black   |
| 9   | 322399840/0 | 2    | Knob               | Manopolina           | Poignée                | Griff           | Yellow  |
| 10  | 12293200/0  | 2    | Nut                | Dado                 | Ecrou                  | Mutter          |         |
| 11  | 12155000/0  | 2    | Nut                | Dado                 | Ecrou                  | Mutter          |         |
| 12  | 12521350/0  | 2    | Washer             | Rosetta              | Rondelle               | Scheibe         |         |
| 13  | 12521350/0  | 2    | Washer             | Rosetta              | Rondelle               | Scheibe         |         |
| 14  | 12793701/0  | 2    | Screw              | Vite                 | Vis                    | Schraube        |         |
| 15  | 381008698/0 | 1    | Outfit, Screws     | Dotazione Viteria    | Dotation Visserie      | Satz, Schrauben | Black   |
| 15  | 381008699/0 | 1    | Outfit, Screws     | Dotazione Viteria    | Dotation Visserie      | Satz, Schrauben | Yellow  |



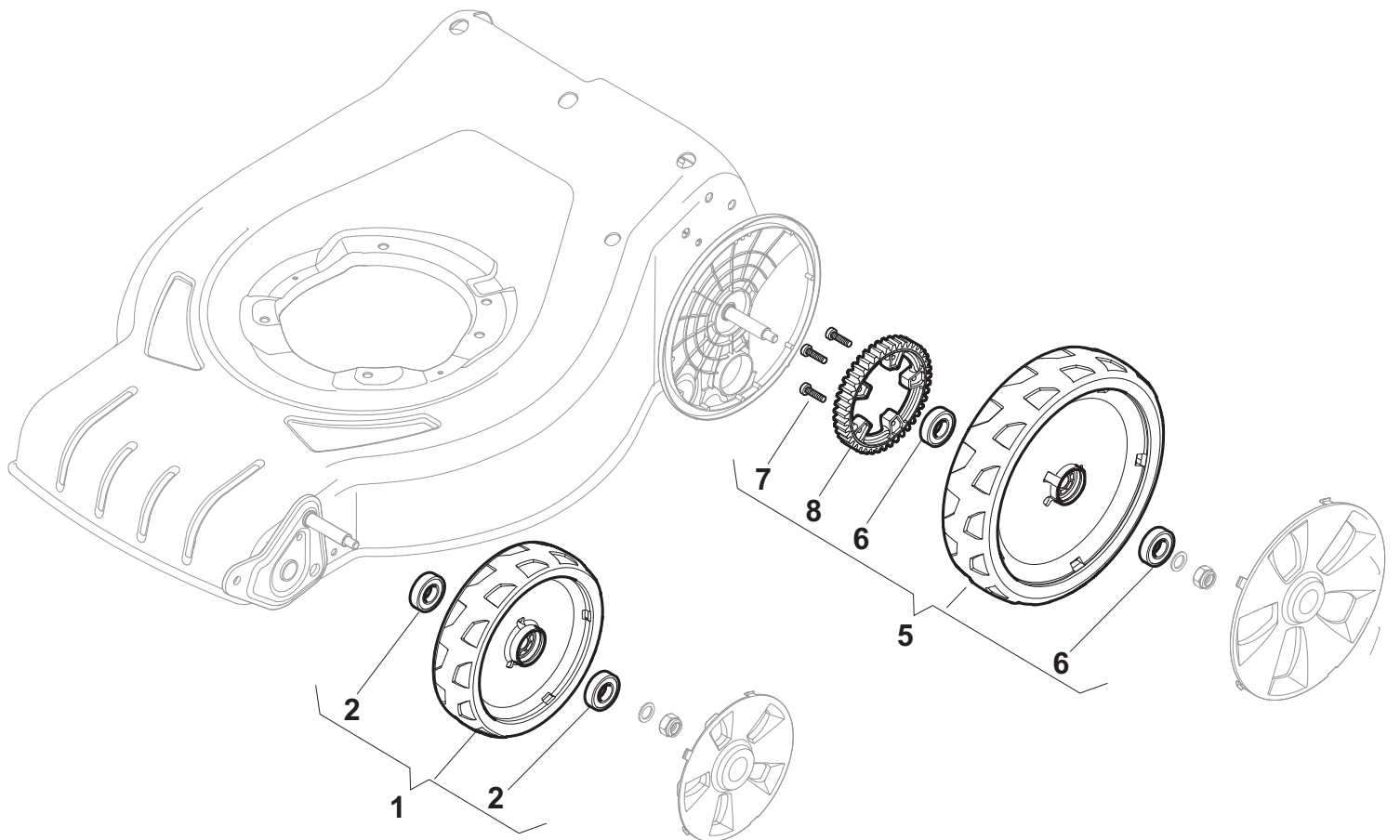
| POS | PART. NO    | Q.ty | DESCRIPTION        | DESCRIZIONE           | DESCRIPTION                  | BESCHREIBUNG     | REMARKS |
|-----|-------------|------|--------------------|-----------------------|------------------------------|------------------|---------|
| 1   | 81006603/0  | 1    | Handle, Upper Part | Manico, Parte Sup     | Mancheron, Partie Superieure | Holm, Oberteil   |         |
| 2   | 22192000/1  | 2    | Anchor Clamp       | Fascetta              | Collier Ancrage              | Bowdenzughalter  |         |
| 3   | 18710628/0  | 1    | Dead Hand Switch   | Salvatore             | Int. Main Morte              | Tot Manschalter  | AUS-NZ  |
| 3   | 381600501/2 | 1    | Dead Hand Switch   | Salvatore             | Int. Main Morte              | Tot Manschalter  | CH      |
| 3   | 381600500/2 | 1    | Dead Hand Switch   | Salvatore             | Int. Main Morte              | Tot Manschalter  | CE      |
| 3   | 381600502/2 | 1    | Dead Hand Switch   | Salvatore             | Int. Main Morte              | Tot Manschalter  | UK      |
| 4   | 12728701/0  | 2    | Screw              | Vite                  | Vis                          | Schraube         |         |
| 5   | 322195101/4 | 1    | Fairlead           | Fermacavo             | Fixation Cable               | Kabelbefestigung |         |
| 11  | 12735103/0  | 3    | Screw              | Vite                  | Vis                          | Schraube         |         |
| 12  | 12523040/0  | 3    | Washer             | Rosetta               | Rondelle                     | Scheibe          |         |
| 13  | 22680006/1  | 3    | Washer             | Rosetta               | Rondelle                     | Scheibe          |         |
| 14  | 322806518/2 | 1    | Support, R         | Supporto Dx           | Support D                    | Halter, Rechter  |         |
| 15  | 22020320/0  | 1    | Fairlead Bearing   | Aggancio              | Support Serrecable           | Kabelhalter      |         |
| 16  | 322806519/2 | 1    | Support, L         | Supporto Sx           | Support G                    | Halter, Linker   |         |
| 17  | 81001245/1  | 1    | Driving Lever      | Leva Trazione         | Levier Traction              | Antriebhebel     |         |
| 18  | 22806520/0  | 1    | Support, Adjuster  | Supporto Registro     | Support Ecrou Reg.           | Halter, Regler   |         |
| 20  | 381030012/0 | 1    | Cable, Rear Drive  | Cavo Comando Trazione | Câble, Commande Traction     | Kabel, Antrieb   |         |



| POS | PART. NO    | Q.ty | DESCRIPTION              | DESCRIZIONE               | DESCRIPTION                  | BESCHREIBUNG             | REMARKS |
|-----|-------------|------|--------------------------|---------------------------|------------------------------|--------------------------|---------|
| 1   | 81006603/0  | 1    | Handle, Upper Part       | Manico, Parte Sup         | Mancheron, Partie Superieure | Holm, Oberteil           |         |
| 2   | 22192000/1  | 2    | Anchor Clamp             | Fascetta                  | Collier Ancrage              | Bowdenzughalter          |         |
| 3   | 381600503/4 | 1    | Dead Hand Switch         | Salvamotore               | Int. Main Morte              | Tot Manschalter          | CE      |
| 3   | 381600505/4 | 1    | Dead Hand Switch         | Salvamotore               | Int. Main Morte              | Tot Manschalter          | UK      |
| 3   | 381600504/4 | 1    | Dead Hand Switch         | Salvamotore               | Int. Main Morte              | Tot Manschalter          | CH      |
| 4   | 12728701/0  | 4    | Screw                    | Vite                      | Vis                          | Schraube                 |         |
| 5   | 322195101/4 | 1    | Fairlead                 | Fermacavo                 | Fixation Cable               | Kabelbefestigung         |         |
| 6   | 22010251/0  | 1    | Rod, Fairlead Bearing    | Asta Aggancio Fermacavo   | Tige Support Serrecable      | Stange, Kabelhalter      |         |
| 7   | 322230350/1 | 1    | Fulcrum Pin              | Fulcro                    | Point D'Appui                | Gelenkpunkt              |         |
| 8   | 22450115/0  | 1    | Spring                   | Molla                     | Ressort                      | Feder                    |         |
| 9   | 322785144/1 | 1    | Support                  | Supporto                  | Support                      | Halter                   |         |
| 10  | 322322881/1 | 1    | Lever, Engine Brake      | Leva Freno Motore, Nero   | Levier Frein Moteur          | Hebel, Motorbremse       | Black   |
| 10  | 322322885/1 | 1    | Lever, Engine Brake      | Leva Freno Motore, Giallo | Levier Frein Moteur          | Hebel, Motorbremse       | Yellow  |
| 10  | 322322884/1 | 1    | Lever, Engine Brake. Red | Leva Freno Motore, Rosso  | Levier Frein Moteur. Rouge   | Hebel, Motorbremse. Rote | Red     |
| 11  | 12735103/0  | 3    | Screw                    | Vite                      | Vis                          | Schraube                 |         |
| 12  | 12523040/0  | 3    | Washer                   | Rosetta                   | Rondelle                     | Scheibe                  |         |
| 13  | 22680006/1  | 3    | Washer                   | Rosetta                   | Rondelle                     | Scheibe                  |         |
| 14  | 322806518/2 | 1    | Support, R               | Supporto Dx               | Support D                    | Halter, Rechter          |         |
| 16  | 322806519/2 | 1    | Support, L               | Supporto Sx               | Support G                    | Halter, Linker           |         |
| 17  | 181003372/0 | 1    | Driving Lever            | Leva Trazione             | Levier Traction              | Antriebhebel             | Yellow  |
| 17  | 81001245/1  | 1    | Driving Lever            | Leva Trazione             | Levier Traction              | Antriebhebel             | Black   |
| 18  | 22806520/0  | 1    | Support, Adjuster        | Supporto Registro         | Support Ecrou Reg.           | Halter, Regler           |         |
| 20  | 381030012/0 | 1    | Cable, Rear Drive        | Cavo Comando Trazione     | Câble, Commande Traction     | Kabel, Antrieb           |         |

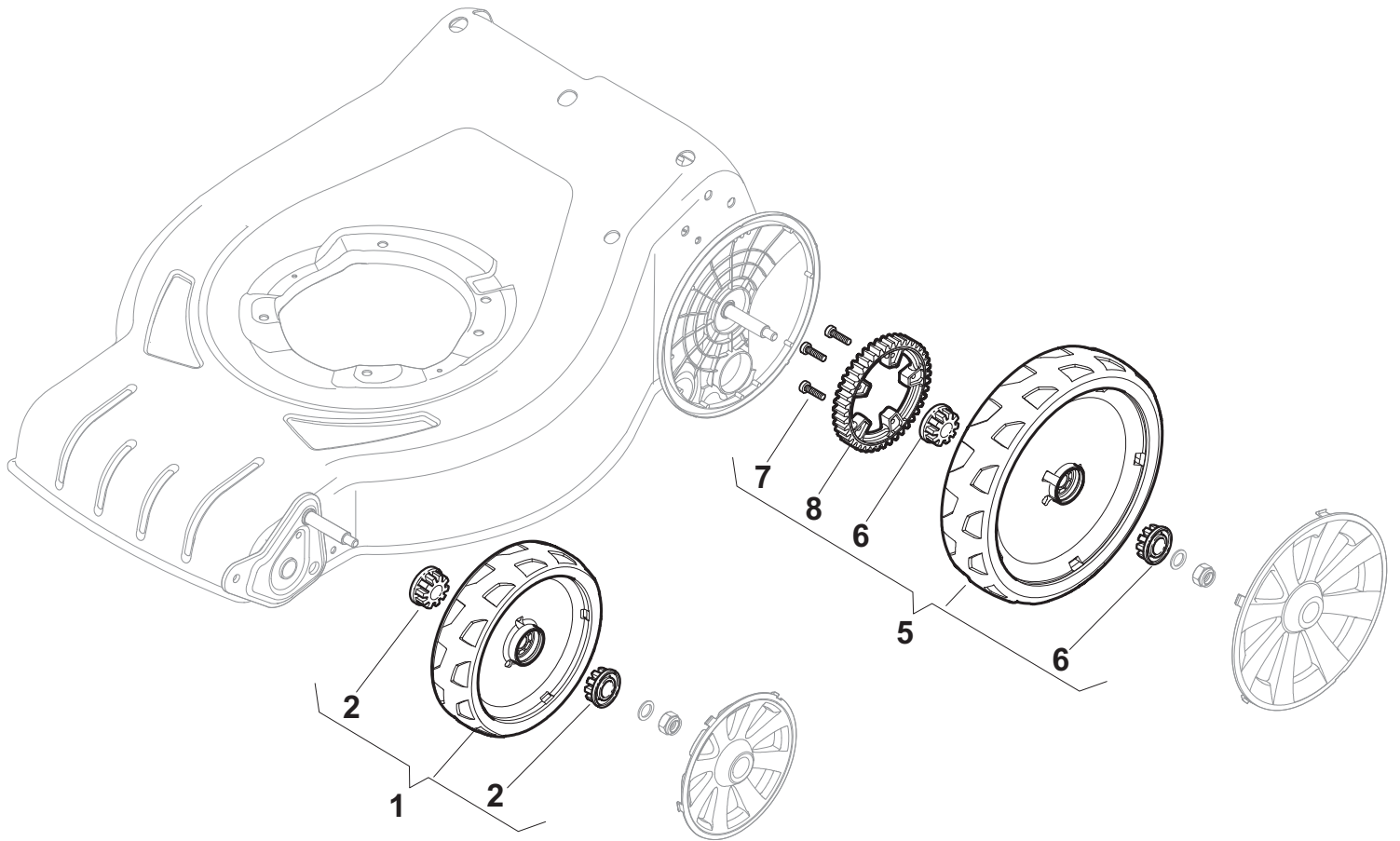


| POS | PART. NO    | Q.ty | DESCRIPTION    | DESCRIZIONE      | DESCRIPTION     | BESCHREIBUNG      | REMARKS |
|-----|-------------|------|----------------|------------------|-----------------|-------------------|---------|
| 1   | 12608600/0  | 4    | Seeger         | Seeger           | Seeger          | Seeger            |         |
| 2   | 22570120/1  | 1    | Pinion L       | Pignone Sx       | Pignon G        | Ritzel Linkes     |         |
| 3   | 22570110/1  | 1    | Pinion R       | Pignone Dx       | Pignon D        | Ritzel Rechtes    |         |
| 4   | 322042066/0 | 2    | Bush           | Bussola          | Douille         | Buchse            |         |
| 5   | 112521371/0 | 2    | Washer         | Rosetta          | Rondelle        | Scheibe           |         |
| 6   | 81003092/0  | 1    | Gear Box       | Gruppo Trazione  | Groupe Traction | Antrieb           |         |
| 7   | 22601904/0  | 1    | Pulley         | Puleggia         | Poulie          | Riemenscheibe     |         |
| 8   | 12645700/0  | 1    | Pin            | Spina            | Goupille        | Stift             |         |
| 9   | 22033283/0  | 1    | Adjustment Rod | Asta Regolazione | Tige Reglage    | Verstellungstange |         |
| 10  | 35063800/0  | 1    | Belt Z 27      | Cinghia Z 27     | Courroie Z 27   | Riemen Z 27       |         |
| 11  | 22041957/1  | 1    | Bush           | Bussola          | Douille         | Buchse            |         |
| 12  | 22450063/0  | 1    | Spring         | Molla            | Ressort         | Feder             |         |
| 13  | 22680009/0  | 1    | Washer         | Rosetta          | Rondelle        | Scheibe           |         |
| 14  | 12154510/0  | 1    | Nut            | Dado             | Ecrou           | Mutter            |         |
| 15  | 22110230/0  | 1    | Cap            | Tappo            | Bouchon         | Gummistopfen      |         |
| 16  | 22753000/0  | 2    | Pin            | Spina            | Goupille        | Stift             |         |

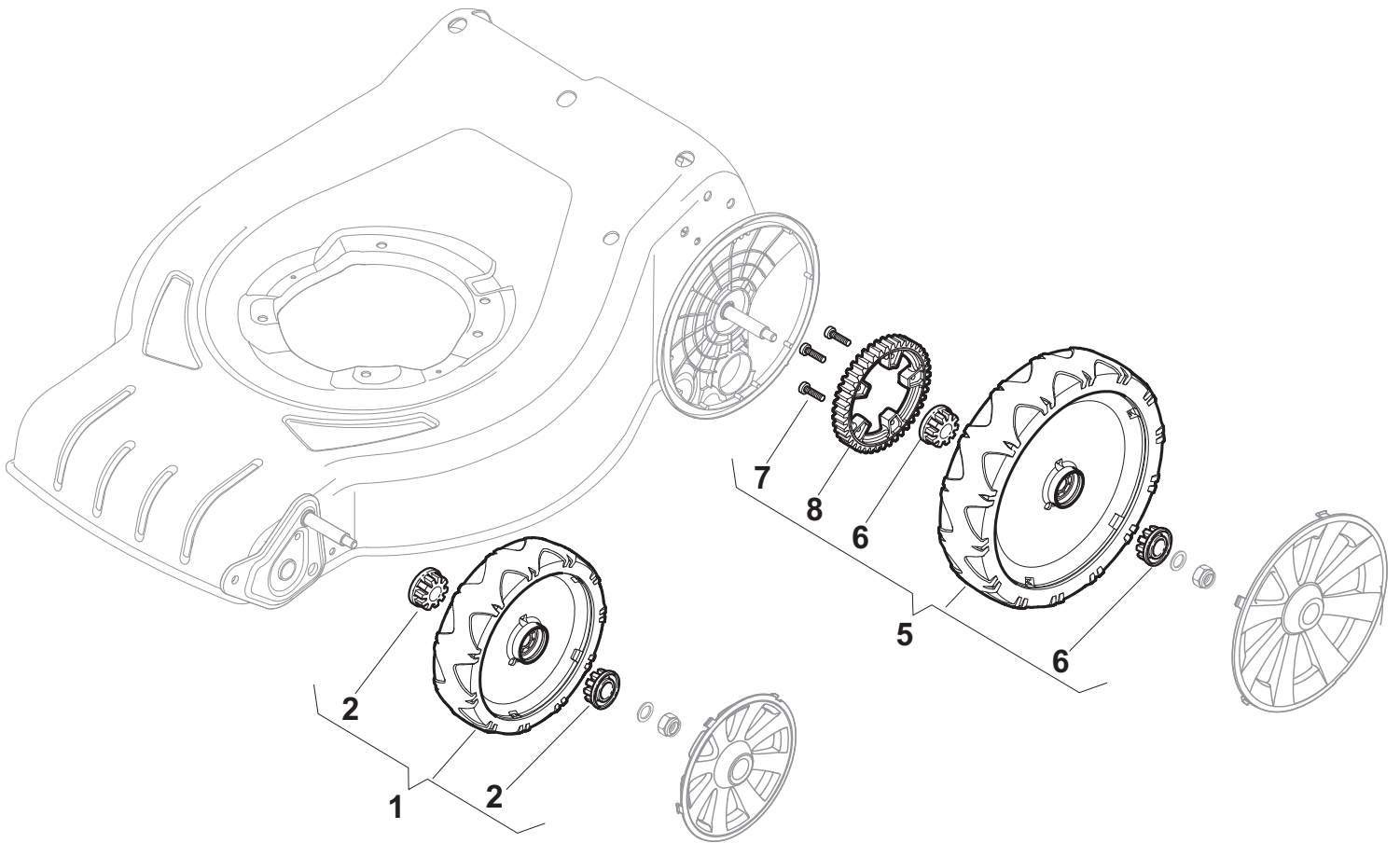




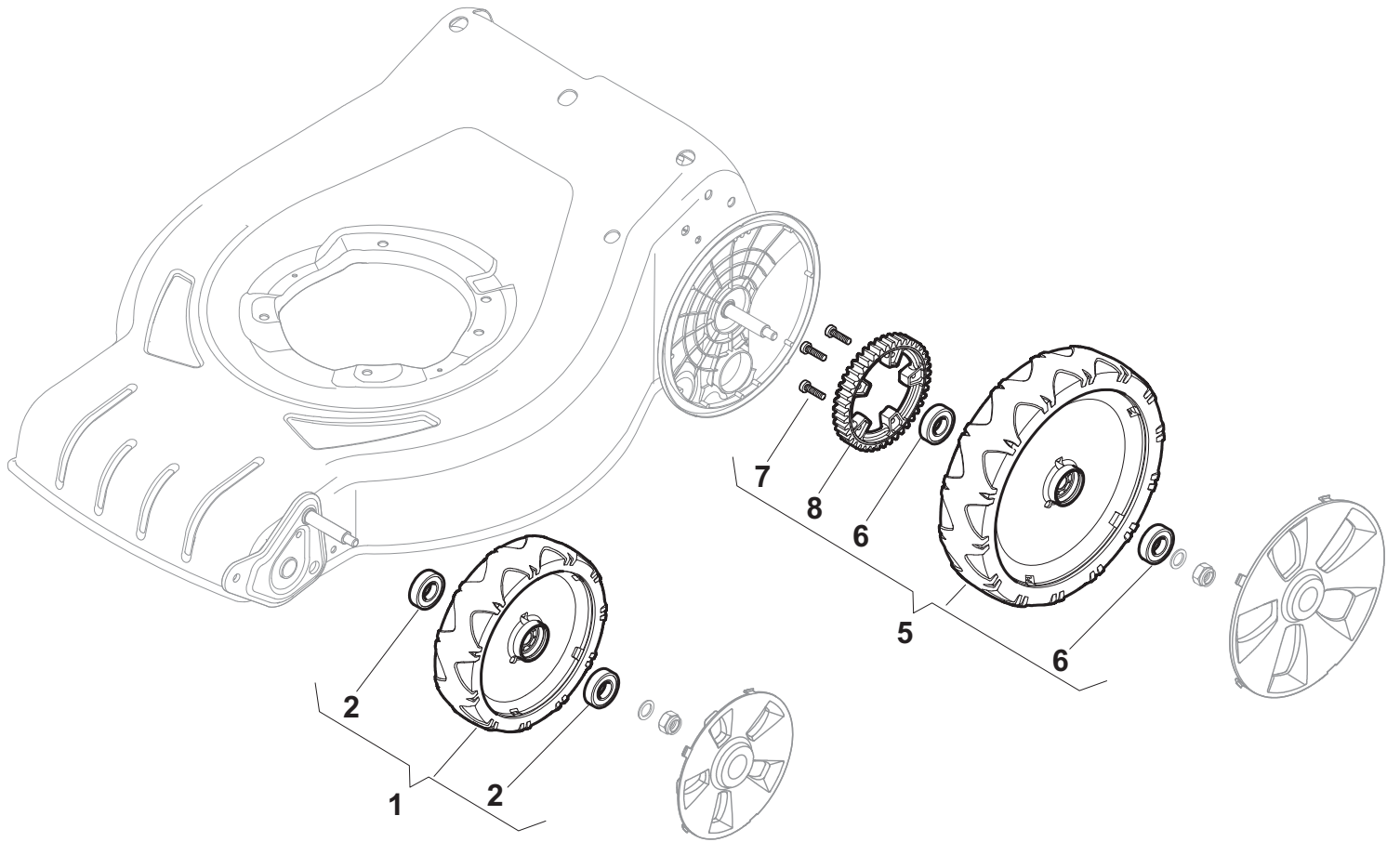
| POS | PART. NO    | Q.ty | DESCRIPTION | DESCRIZIONE         | DESCRIPTION | BESCHREIBUNG | REMARKS |
|-----|-------------|------|-------------|---------------------|-------------|--------------|---------|
| 1   | 381007448/0 | 2    | Wheel Ø 180 | Ruota Ø 180         | Roue Ø 180  | Rad Ø 180    |         |
| 2   | 19216035/0  | 4    | Bearing     | Cuscinetto          | Coussinet   | Lager        |         |
| 5   | 381007463/0 | 2    | Wheel Ø 240 | Ruota Ø 240         | Roue Ø 240  | Rad Ø 240    |         |
| 6   | 19216035/0  | 4    | Bearing     | Cuscinetto          | Coussinet   | Lager        |         |
| 7   | 112728706/0 | 6    | Screw       | Vite                | Vis         | Schraube     |         |
| 8   | 322120116/0 | 2    | Ring Gear   | Corona Trasinamento | Couronne    | Kranz        |         |



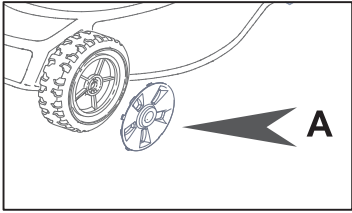
| POS | PART. NO    | Q.ty | DESCRIPTION | DESCRIZIONE         | DESCRIPTION | BESCHREIBUNG | REMARKS |
|-----|-------------|------|-------------|---------------------|-------------|--------------|---------|
| 1   | 381007442/0 | 2    | Wheel Ø 180 | Ruota Ø 180         | Roue Ø 180  | Rad Ø 180    |         |
| 2   | 322042064/0 | 4    | Bush        | Bussola             | Douille     | Buchse       |         |
| 5   | 381007462/0 | 2    | Wheel Ø 240 | Ruota Ø 240         | Roue Ø 240  | Rad Ø 240    |         |
| 6   | 322042064/0 | 4    | Bush        | Bussola             | Douille     | Buchse       |         |
| 7   | 112728706/0 | 6    | Screw       | Vite                | Vis         | Schraube     |         |
| 8   | 322120116/0 | 2    | Ring Gear   | Corona Trasinamento | Couronne    | Kranz        |         |



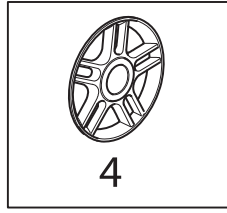
| POS | PART. NO    | Q.ty | DESCRIPTION | DESCRIZIONE         | DESCRIPTION | BESCHREIBUNG | REMARKS |
|-----|-------------|------|-------------|---------------------|-------------|--------------|---------|
| 1   | 381007445/0 | 2    | Wheel Ø 180 | Ruota Ø 180         | Roue Ø 180  | Rad Ø 180    |         |
| 2   | 322042064/0 | 4    | Bush        | Bussola             | Douille     | Buchse       |         |
| 5   | 381007466/0 | 2    | Wheel Ø 240 | Ruota Ø 240         | Roue Ø 240  | Rad Ø 240    |         |
| 6   | 322042064/0 | 4    | Bush        | Bussola             | Douille     | Buchse       |         |
| 7   | 112728706/0 | 6    | Screw       | Vite                | Vis         | Schraube     |         |
| 8   | 322120116/0 | 2    | Ring Gear   | Corona Trasinamento | Couronne    | Kranz        |         |



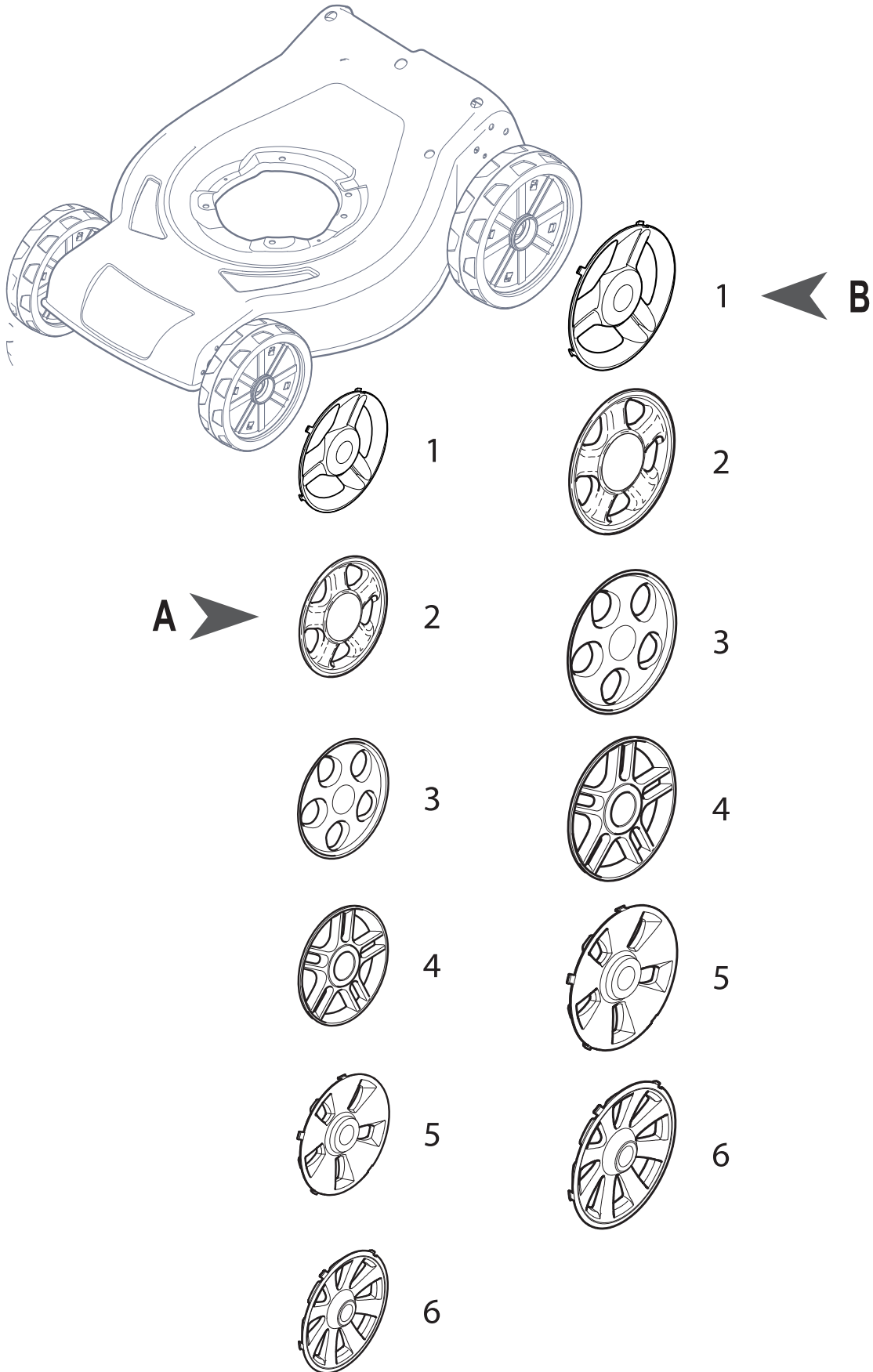
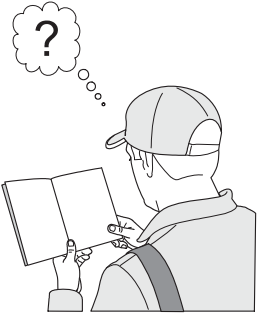
| POS | PART. NO    | Q.ty | DESCRIPTION | DESCRIZIONE         | DESCRIPTION | BESCHREIBUNG | REMARKS |
|-----|-------------|------|-------------|---------------------|-------------|--------------|---------|
| 1   | 381007455/0 | 2    | Wheel Ø 180 | Ruota Ø 180         | Roue Ø 180  | Rad Ø 180    |         |
| 2   | 19216035/0  | 4    | Bearing     | Cuscinetto          | Coussinet   | Lager        |         |
| 5   | 381007467/0 | 2    | Wheel Ø 240 | Ruota Ø 240         | Roue Ø 240  | Rad Ø 240    |         |
| 6   | 19216035/0  | 4    | Bearing     | Cuscinetto          | Coussinet   | Lager        |         |
| 7   | 112728706/0 | 6    | Screw       | Vite                | Vis         | Schraube     |         |
| 8   | 322120116/0 | 2    | Ring Gear   | Corona Trasinamento | Couronne    | Kranz        |         |



+

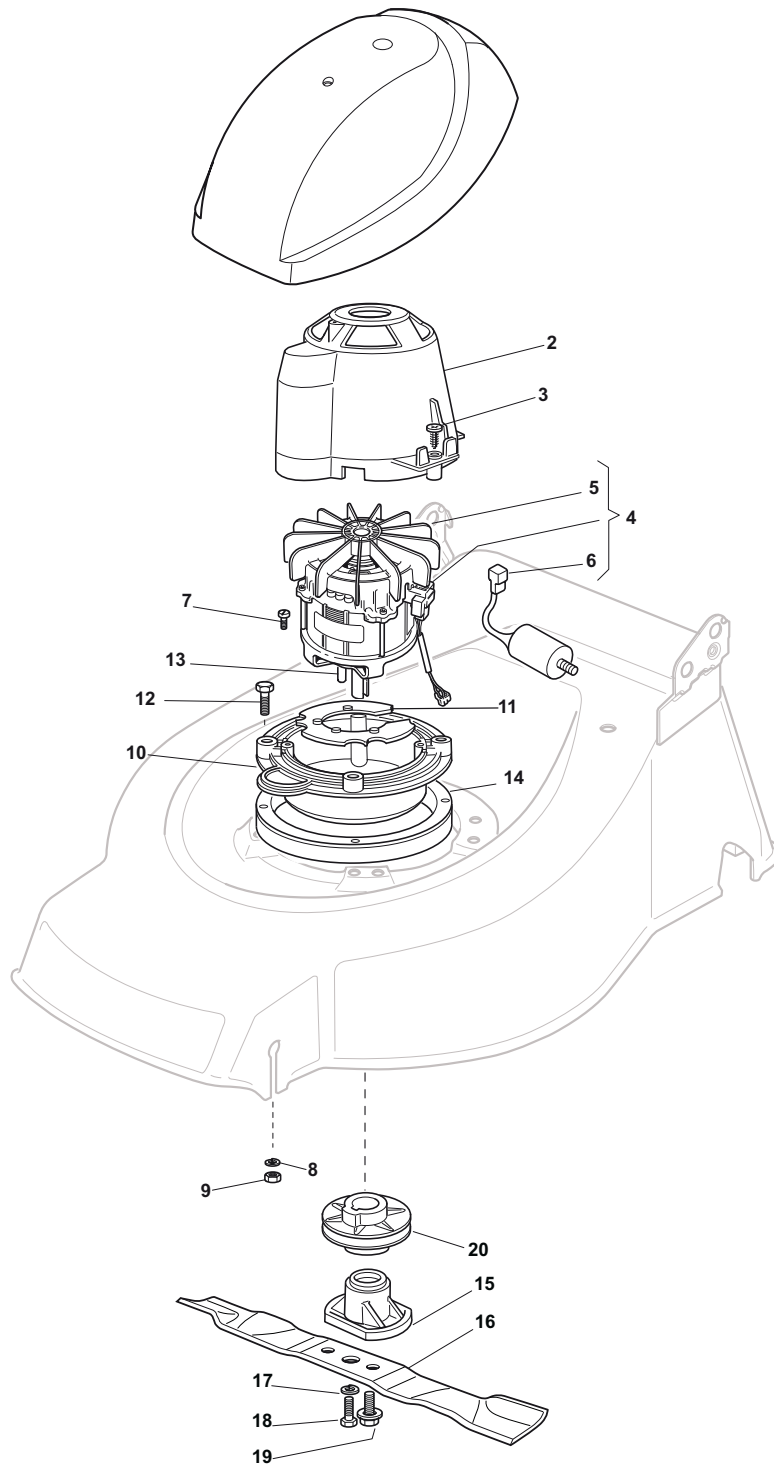


= A4

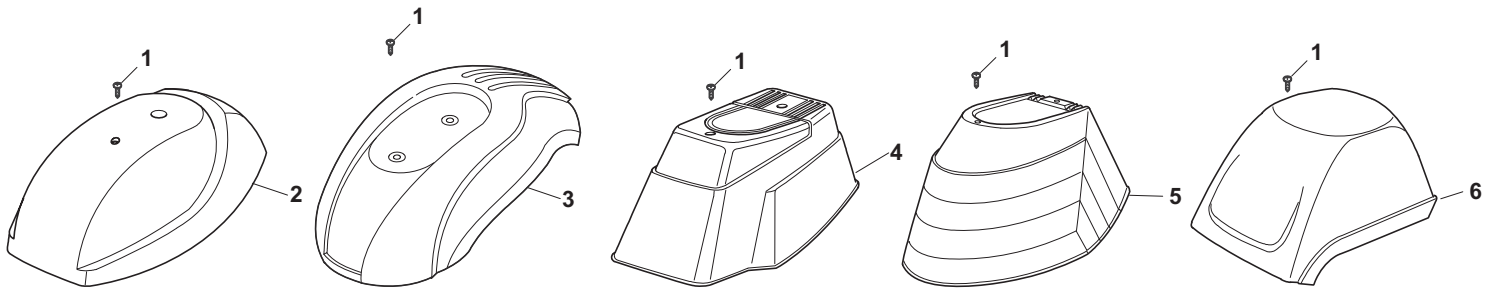




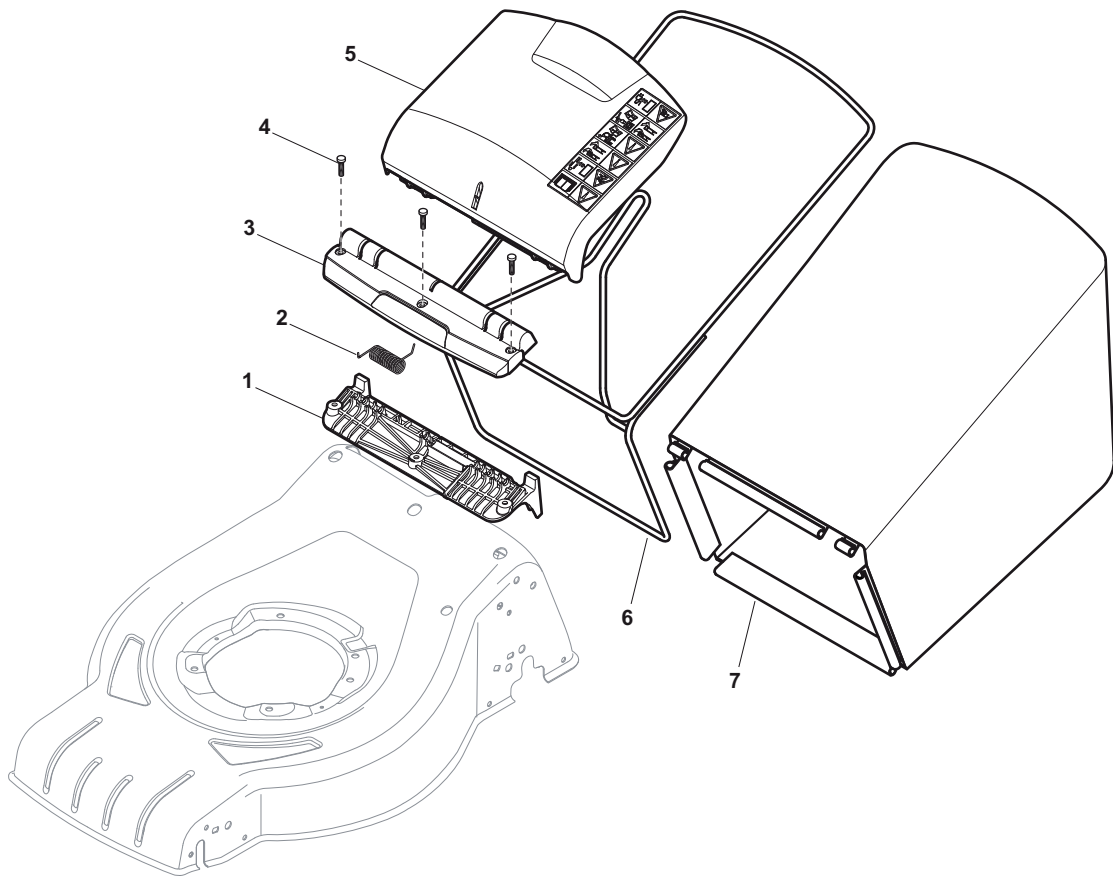
| POS | PART. NO    | Q.ty | DESCRIPTION  | DESCRIZIONE       | DESCRIPTION  | BESCHREIBUNG | REMARKS |
|-----|-------------|------|--------------|-------------------|--------------|--------------|---------|
| A1  | 322110687/0 | 2    | Hub Cap Grey | Coprимozzo Grigio | Couvre-Moyeu | Radkappe     |         |
| A2  | 22110382/0  | 2    | Hub Cap Grey | Coprимozzo Grigio | Couvre-Moyeu | Radkappe     |         |
| A3  | 22110416/0  | 2    | Hub Cap Grey | Coprимozzo Grigio | Couvre-Moyeu | Radkappe     |         |
| A4  | 22110492/0  | 2    | Hub Cap Grey | Coprимozzo Grigio | Couvre-Moyeu | Radkappe     |         |
| A5  | 322110643/0 | 2    | Hub Cap Grey | Coprимozzo Grigio | Couvre-Moyeu | Radkappe     |         |
| A6  | 322110645/0 | 2    | Hub Cap Grey | Coprимozzo Grigio | Couvre-Moyeu | Radkappe     |         |
| B1  | 322110641/0 | 2    | Hub Cap Grey | Coprимozzo Grigio | Couvre-Moyeu | Radkappe     |         |
| B2  | 22110511/0  | 2    | Hub Cap Grey | Coprимozzo Grigio | Couvre-Moyeu | Radkappe     |         |
| B3  | 322110560/0 | 2    | Hub Cap Grey | Coprимozzo Grigio | Couvre-Moyeu | Radkappe     |         |
| B4  | 22110417/0  | 2    | Hub Cap Grey | Coprимozzo Grigio | Couvre-Moyeu | Radkappe     |         |
| B5  | 322110644/0 | 2    | Hub Cap Grey | Coprимozzo Grigio | Couvre-Moyeu | Radkappe     |         |
| B6  | 322110646/0 | 2    | Hub Cap Grey | Coprимozzo Grigio | Couvre-Moyeu | Radkappe     |         |



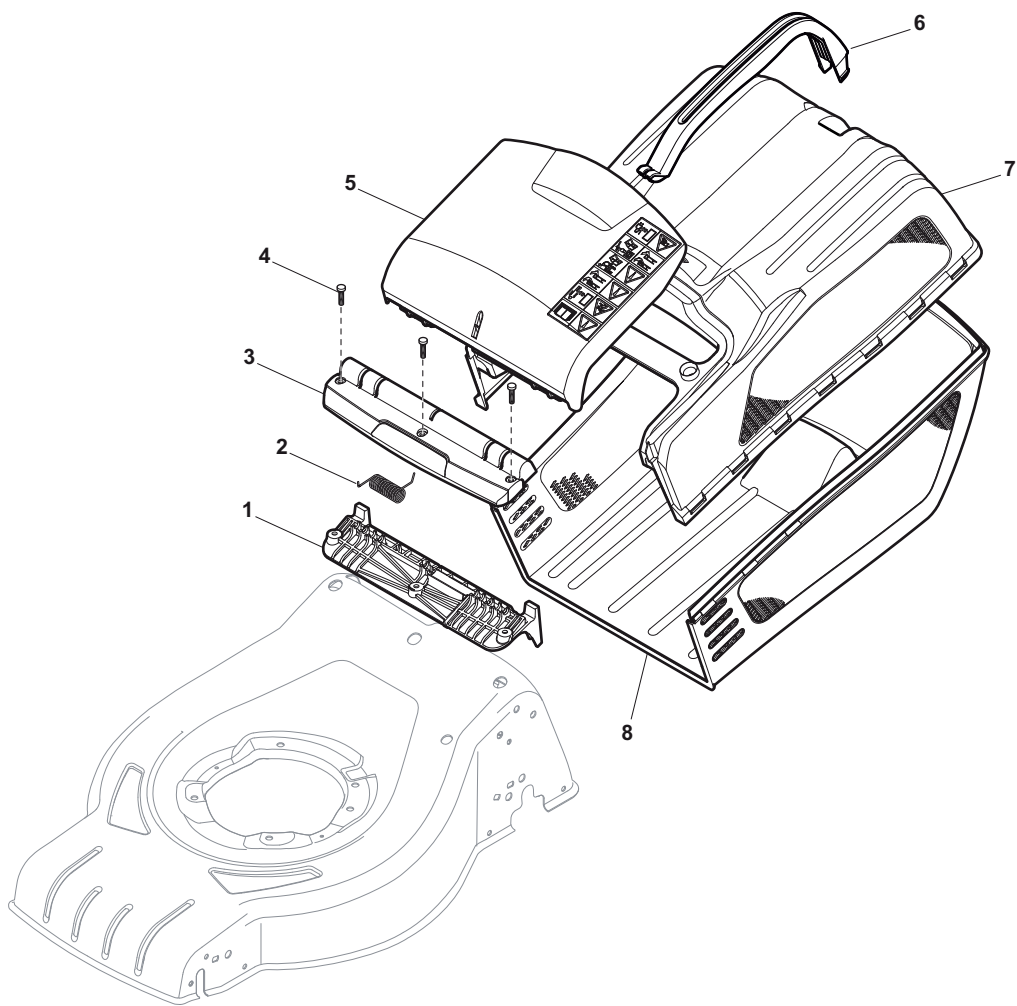
| POS | PART. NO    | Q.ty | DESCRIPTION        | DESCRIZIONE            | DESCRIPTION            | BESCHREIBUNG      | REMARKS |
|-----|-------------|------|--------------------|------------------------|------------------------|-------------------|---------|
| 2   | 22785210/0  | 1    | Support, Cover     | Supporto Capottina     | Support Capot          | Halter, Haube     |         |
| 3   | 12728710/0  | 4    | Screw              | Vite                   | Vis                    | Schraube          |         |
| 4   | 118563641/1 | 1    | Motor Atb          | Motore Atb             | Moteur Atb             | Motor Atb         | (1800W) |
| 5   | 18740054/0  | 1    | Fan Motor Atb      | Ventola Per Motore Atb | Ventilateur Moteur Atb | Lüfter Motor Atb  |         |
| 6   | 18222039/0  | 1    | Condenser 25 µf    | Condensatore 25 µf     | Condenseur 25 µf       | Kondensator 25 µf |         |
| 7   | 12735410/0  | 4    | Screw              | Vite                   | Vis                    | Schraube          |         |
| 8   | 12583500/0  | 4    | Grower             | Grower                 | Grower                 | Federring         |         |
| 9   | 12293200/0  | 4    | Nut                | Dado                   | Ecrou                  | Mutter            |         |
| 10  | 322207211/4 | 1    | Flange             | Flangia                | Bride                  | Flansch           |         |
| 11  | 322720360/2 | 1    | Ventilation Screen | Schermo                | Ecran Ventilation      | Lüftungschirm     |         |
| 12  | 12691800/0  | 4    | Screw              | Vite                   | Vis                    | Schraube          |         |
| 13  | 12139440/0  | 1    | Feather            | Linguetta              | Clavette               | Keil              |         |
| 14  | 22170960/1  | 1    | Spacer             | Distanziale            | Entretoise             | Distanzring       |         |
| 15  | 322463186/3 | 1    | Hub                | Mozzo                  | Moyeu                  | Halter            |         |
| 16  | 81004346/3  | 1    | Blade Standard     | Coltello Standard      | Lame Standard          | Messer Standard   |         |
| 16  | 81004397/0  | 1    | Blade Winged       | Coltello Alettato      | Lame Ailetée           | Messer Flügel     |         |
| 17  | 12583500/0  | 2    | Grower             | Grower                 | Grower                 | Federring         |         |
| 18  | 12793101/0  | 2    | Screw              | Vite                   | Vis                    | Schraube          |         |
| 19  | 381004352/1 | 1    | Screw              | Vite                   | Vis                    | Schraube          |         |
| 20  | 22601911/1  | 1    | Pulley             | Puleggia               | Pouile                 | Riemenscheibe     |         |



| POS | PART. NO   | Q.ty | DESCRIPTION | DESCRIZIONE | DESCRIPTION | BESCHREIBUNG | REMARKS |
|-----|------------|------|-------------|-------------|-------------|--------------|---------|
| 1   | 12728680/0 | 2    | Screw       | Vite        | Vis         | Schraube     |         |
| 2   | 22055058/0 | 1    | Cover       | Capottina   | Capot       | Haube        |         |
| 3   | 22055065/0 | 1    | Cover       | Capottina   | Capot       | Haube        |         |
| 4   | 22055045/1 | 1    | Cover       | Capottina   | Capot       | Haube        |         |
| 5   | 22055033/1 | 1    | Cover       | Capottina   | Capot       | Haube        |         |
| 6   | 22055053/1 | 1    | Cover       | Capottina   | Capot       | Haube        |         |

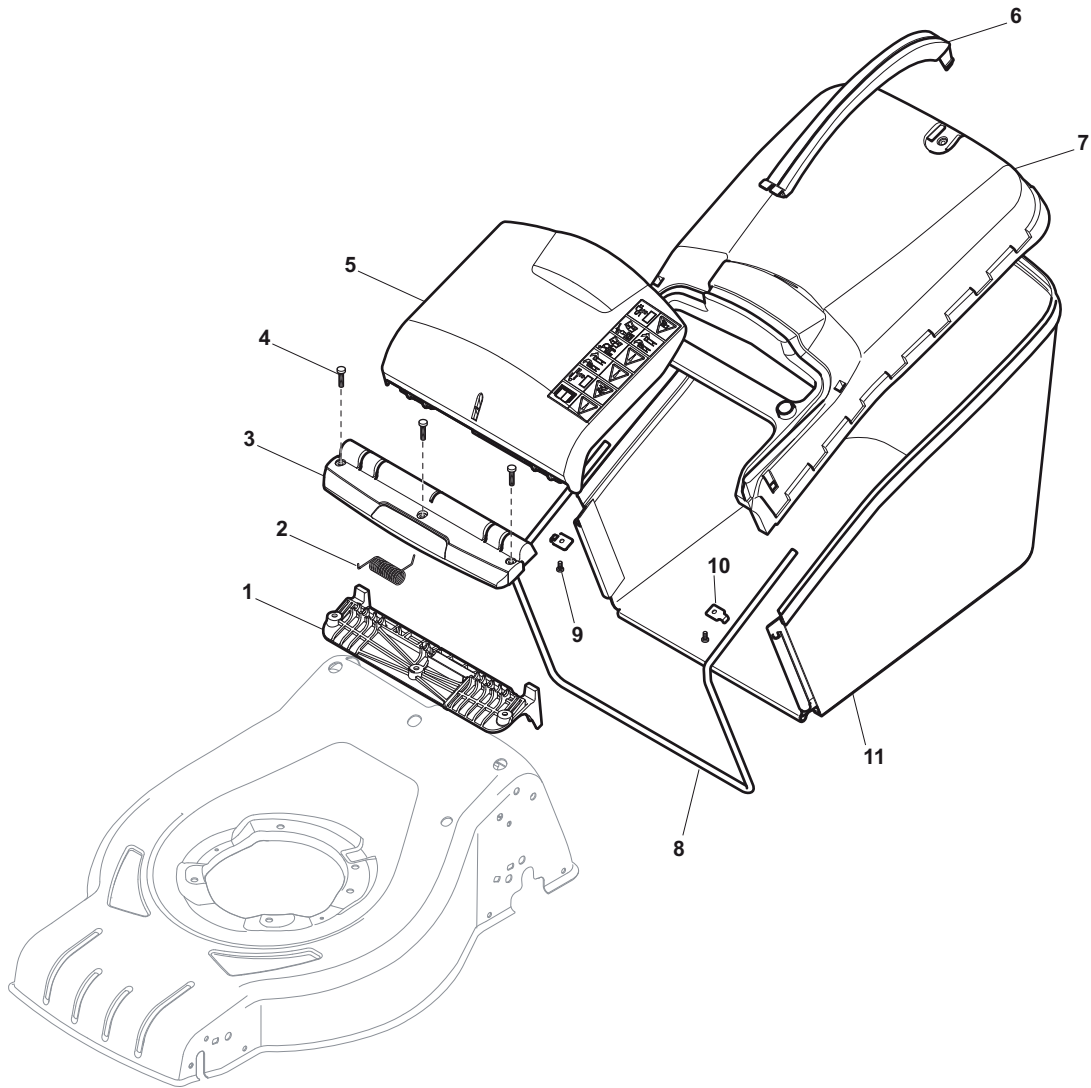


| POS | PART. NO    | Q.ty | DESCRIPTION         | DESCRIZIONE  | DESCRIPTION  | BESCHREIBUNG | REMARKS |
|-----|-------------|------|---------------------|--------------|--------------|--------------|---------|
| 1   | 322785331/0 | 1    | Support             | Supporto     | Support      | Halter       |         |
| 2   | 122450464/0 | 1    | Spring              | Molla        | Ressort      | Feder        |         |
| 3   | 322109557/0 | 1    | Cover, Grey         | Copertura    | Couvre       | Kappe        | Grey    |
| 3   | 322109556/0 | 1    | Cover, Yellow       | Copertura    | Couvre       | Kappe        | Yellow  |
| 4   | 112728699/0 | 3    | Screw               | Vite         | Vis          | Schraube     |         |
| 5   | 322600216/1 | 1    | Stone-Guard, Grey   | Parasassi    | Pare-Pierres | Prallblech   | Grey    |
| 5   | 322600214/1 | 1    | Stone-Guard, Yellow | Parasassi    | Pare-Pierres | Prallblech   | Yellow  |
| 6   | 181006409/0 | 1    | Chassis Box         | Telaio Sacco | Châssis Bac  | Rahmen Sack  |         |
| 7   | 181002319/0 | 1    | Box, Fabric         | Sacco, Tela  | Sac, Toile   | Sack, Tuck   |         |





| POS | PART. NO    | Q.ty | DESCRIPTION         | DESCRIZIONE        | DESCRIPTION            | BESCHREIBUNG   | REMARKS |
|-----|-------------|------|---------------------|--------------------|------------------------|----------------|---------|
| 1   | 322785331/0 | 1    | Support             | Supporto           | Support                | Halter         |         |
| 2   | 122450464/0 | 1    | Spring              | Molla              | Ressort                | Feder          |         |
| 3   | 322109557/0 | 1    | Cover, Grey         | Copertura          | Couvre                 | Kappe          | Grey    |
| 3   | 322109556/0 | 1    | Cover, Yellow       | Copertura          | Couvre                 | Kappe          | Yellow  |
| 4   | 112728699/0 | 3    | Screw               | Vite               | Vis                    | Schraube       |         |
| 5   | 322600216/1 | 1    | Stone-Guard, Grey   | Parasassi          | Pare-Pierres           | Prallblech     | Grey    |
| 5   | 322600214/1 | 1    | Stone-Guard, Yellow | Parasassi          | Pare-Pierres           | Prallblech     | Yellow  |
| 6   | 322393645/0 | 1    | Handle              | Maniglia           | Poignée                | Griff          |         |
| 7   | 322486263/0 | 1    | Grassbox Upper Part | Parte Sup.Sacco    | Sac, Partie Superieure | Korb Oberteil  |         |
| 8   | 322486267/0 | 1    | Grassbox Lower Part | Parte Infer. Sacco | Sac, Partie Inferieure | Korb Unterteil |         |



| POS | PART. NO    | Q.ty | DESCRIPTION         | DESCRIZIONE     | DESCRIPTION            | BESCHREIBUNG  | REMARKS |
|-----|-------------|------|---------------------|-----------------|------------------------|---------------|---------|
| 1   | 322785331/0 | 1    | Support             | Supporto        | Support                | Halter        |         |
| 2   | 122450464/0 | 1    | Spring              | Molla           | Ressort                | Feder         |         |
| 3   | 322109557/0 | 1    | Cover, Grey         | Copertura       | Couvre                 | Kappe         | Grey    |
| 3   | 322109556/0 | 1    | Cover, Yellow       | Copertura       | Couvre                 | Kappe         | Yellow  |
| 4   | 112728699/0 | 3    | Screw               | Vite            | Vis                    | Schraube      |         |
| 5   | 322600216/1 | 1    | Stone-Guard, Grey   | Parasassi       | Pare-Pierres           | Prallblech    | Grey    |
| 5   | 322600214/1 | 1    | Stone-Guard, Yellow | Parasassi       | Pare-Pierres           | Prallblech    | Yellow  |
| 6   | 322393649/0 | 1    | Handle              | Maniglia        | Poignée                | Griff         |         |
| 6   | 322393646/0 | 1    | Handle              | Maniglia        | Poignée                | Griff         |         |
| 7   | 322486270/0 | 1    | Grassbox Upper Part | Parte Sup.Sacco | Sac, Partie Superieure | Korb Oberteil | Grey    |
| 7   | 322486264/0 | 1    | Grassbox Upper Part | Parte Sup.Sacco | Sac, Partie Superieure | Korb Oberteil | Yellow  |
| 8   | 122608561/0 | 1    | Stiffening Lower    | Rinforzo Inf    | Réinforcement Inf      | Verstärkung   |         |
| 9   | 12728692/0  | 2    | Screw               | Vite            | Vis                    | Schraube      |         |
| 10  | 322545159/0 | 2    | Plate               | Piastrina       | Plaquette              | Plättchen     |         |
| 11  | 181002318/0 | 1    | Box, Fabric         | Sacco, Tela     | Sac, Toile             | Sack, Tuck    |         |