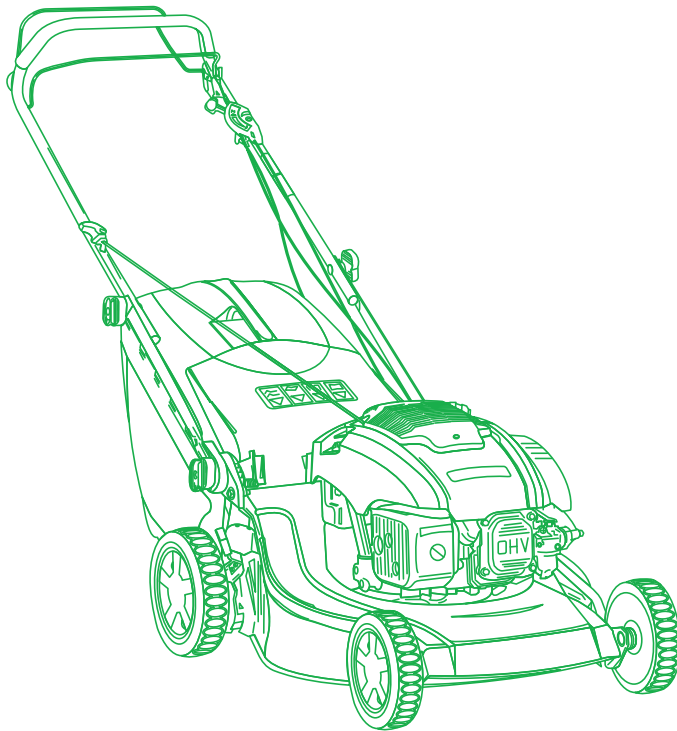


ILLUSTRATED PARTS LIST

ES 534 TR



- Use GLOBAL GARDEN PRODUCT Genuine Spare Parts specified in the parts list for repair and/or replacement.
- The contents described in the parts list may change due to improvement.
- The drawings of the spare parts are only indicative and might not represent the part in question exactly.
- The indications "right" - "left" - "front" - "rear" refer to the position of the operator when using the machine.
- When placing orders of parts for repair and/or replacement, make sure that the illustrated parts list is the one applying to the machine's year of manufacture, as shown on the identification plate attached to the machine.

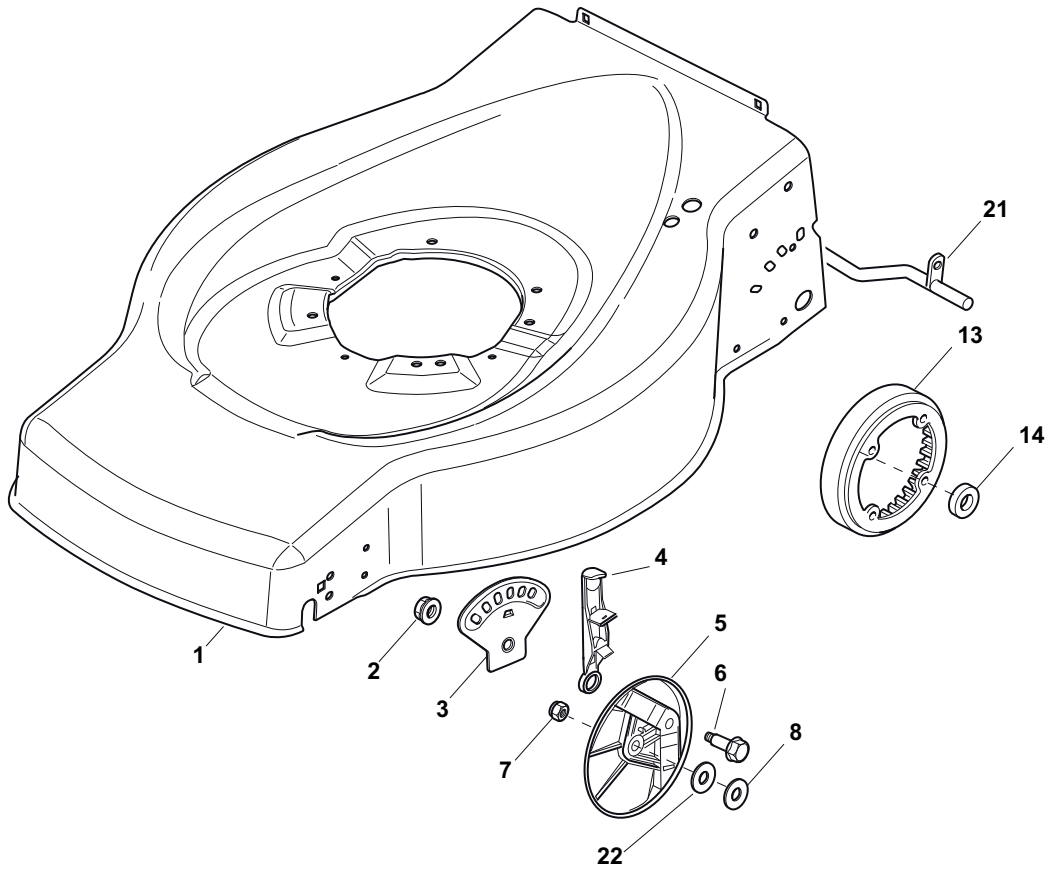
© Copyright 2012 Global Garden Products

All content is subject to copyright by Global Garden Products and may not be reproduced in whole or in part by any means, electronic or otherwise, without prior written approval.

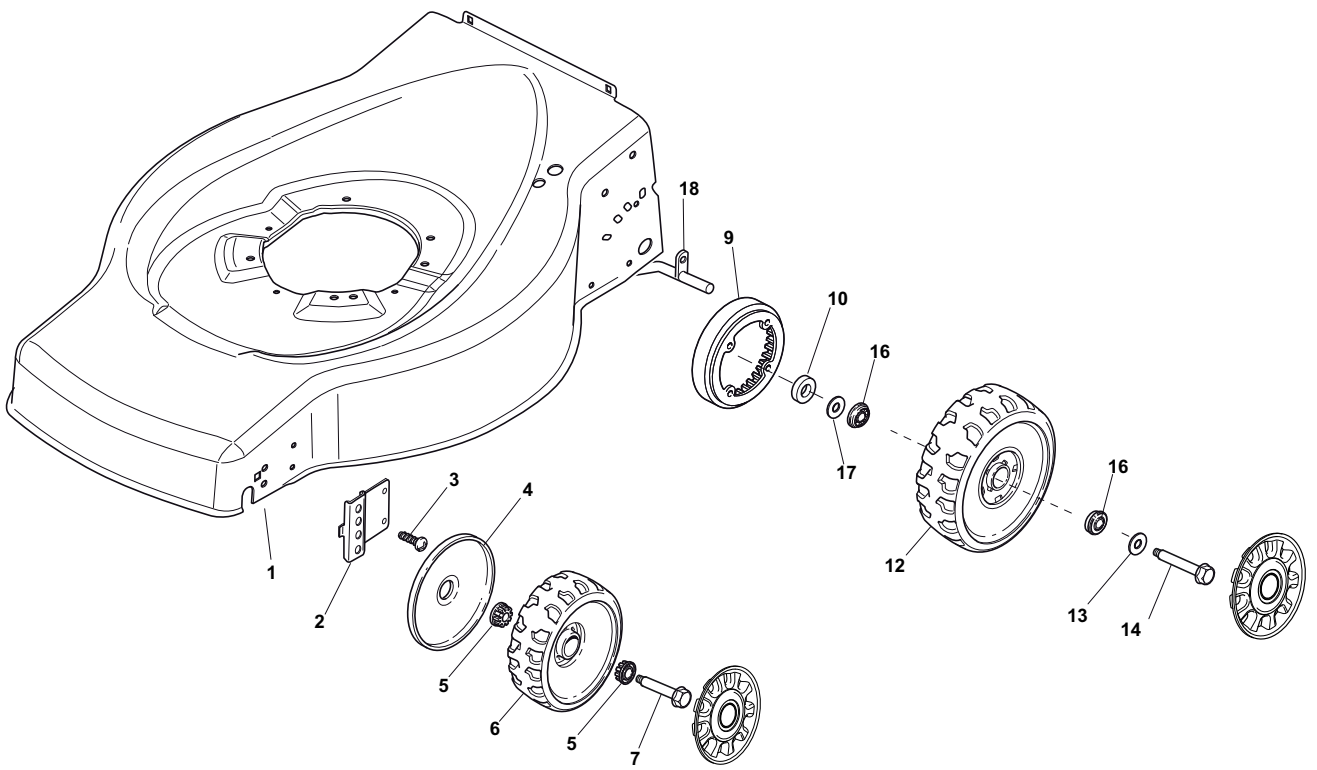
THIS INFORMATION IS NOT INTENDED FOR SALE OR RESALE, AND THIS NOTICE MUST REMAIN ON ALL COPIES.



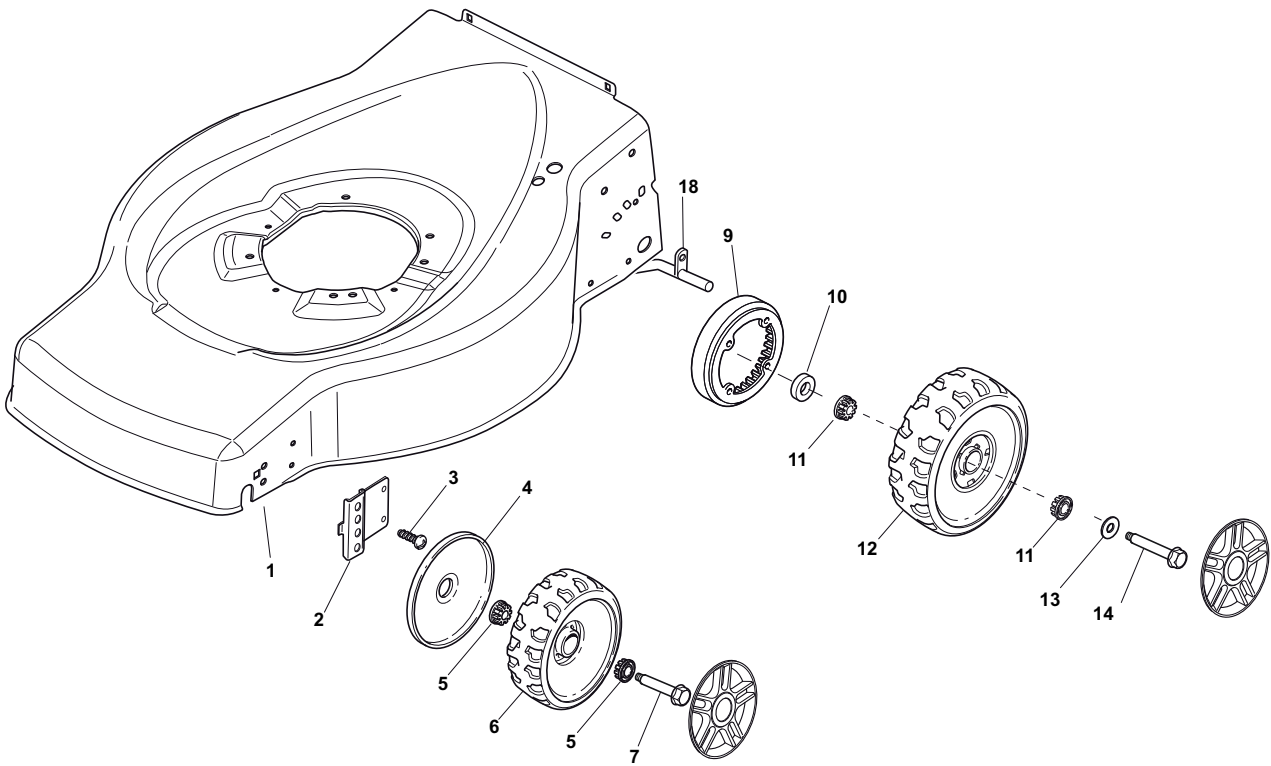
GLOBAL GARDEN PRODUCTS



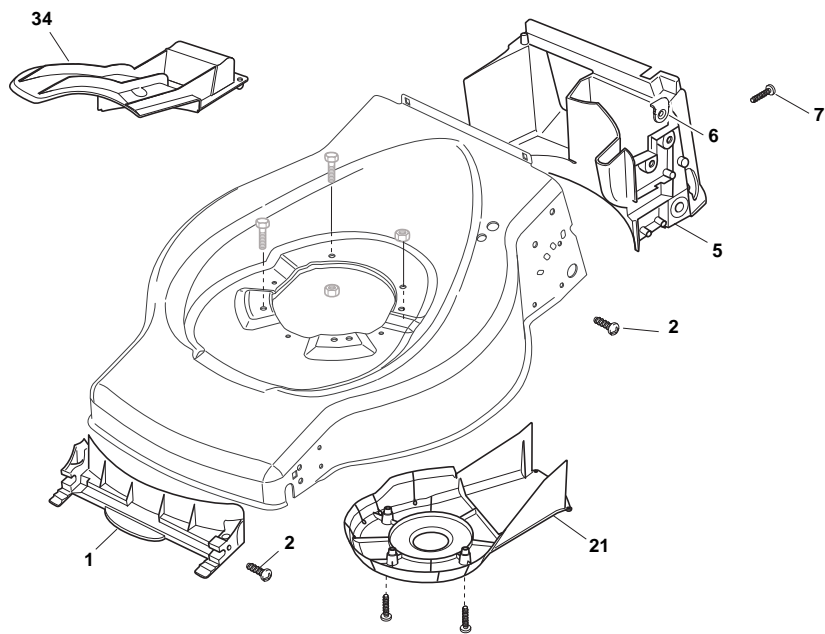
POS	PART. NO	Q.ty	DESCRIPTION	DESCRIZIONE	DESCRIPTION	BESCHREIBUNG	REMARKS
1	381003703/0	1	Deck Red	Chassis Rosso	Châssis Rouge	Gehäuse Rot	
2	122131750/0	2	Nut	Dado	Ecrou	Mutter	
3	322735557/0	2	Sector, Height Adjustment	Settore Regolazione Altezza	Secteur Reglage Hauteur	Sektor, Höheverstellung	
4	381003306/0	2	Lever, Height Adjustment	Leva Regolazione Altezza	Levier Reglage Hauteur	Hebel, Höheverstellung	
5	322600170/0	2	Protection, Wheel	Protezione Ruote	Protection Roue	Schütz, Räder	
6	122524324/0	2	Pin	Perno	Pivot	Bolzen	
7	112155000/0	2	Nut	Dado	Ecrou	Mutter	
8	325670011/0	2	Washer	Rosetta	Rondelle	Scheibe	
13	322120109/0	2	Ring Gear	Corona	Couronne	Kranz	
14	322170622/0	2	Washer	Rosetta	Rondelle	Scheibe	
21	122033393/0	1	Axle, Rear Wheels	Asse Ruote Posteriore	Axe Roues Arriere	Achse, Hinterrad	
22	112530150/0	2	Elastic Washer	Disco Elastico	Disque Elastique	Federscheibe	



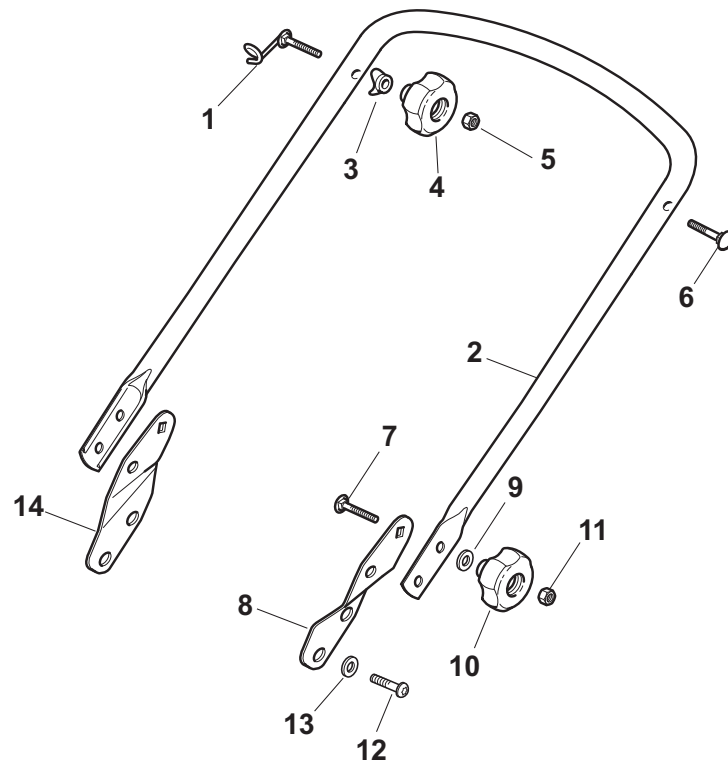
POS	PART. NO	Q.ty	DESCRIPTION	DESCRIZIONE	DESCRIPTION	BESCHREIBUNG	REMARKS
1	381003703/0	1	Deck Red	Chassis Rosso	Châssis Rouge	Gehäuse Rot	
2	322551523/0	2	Plate, Front	Piastra Anteriore	Plaque Antérieure	Platte, Vorder	
3	112728686/0	4	Screw	Vite	Vis	Schraube	
4	322600095/0	2	Protection, Wheel	Protezione Ruote	Protection Roue	Schütz, Räder	
5	322034515/1	4	Bush	Bussola	Douille	Büchse	
6	322686091/1	2	Wheel Ø 165	Ruota Ø 165	Roue Ø 165	Rad Ø 165	
7	122524340/0	2	Pin	Perno	Pivot	Bolzen	
9	322120109/0	2	Ring Gear	Corona	Couronne	Kranz	
10	322170622/0	2	Washer	Rosetta	Rondelle	Scheibe	
12	322686093/0	2	Wheel Ø 190	Ruota Ø 190	Roue Ø190	Rad Ø 190	
13	112523050/0	2	Washer	Rosetta	Rondelle	Scheibe	
14	112735599/0	2	Screw	Vite	Vis	Schraube	
16	122122200/0	4	Bearing	Cuscinetto	Coussinet	Lager	
17	122675100/0	2	Washer	Rosetta	Rondelle	Scheibe	
18	122033393/0	1	Axle, Rear Wheels	Asse Ruote Posteriore	Axe Roues Arriere	Achse, Hinterrad	



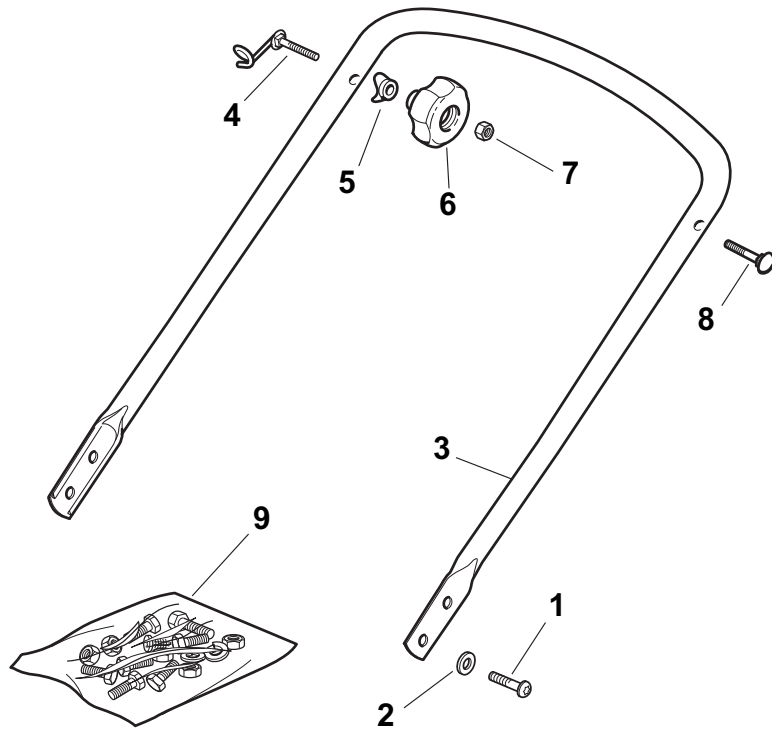
POS	PART. NO	Q.ty	DESCRIPTION	DESCRIZIONE	DESCRIPTION	BESCHREIBUNG	REMARKS
1	381003703/0	1	Deck Red	Chassis Rosso	Châssis Rouge	Gehäuse Rot	
2	322551523/0	2	Plate, Front	Piastra Anteriore	Plaque Antérieure	Platte, Vorder	
3	112728686/0	4	Screw	Vite	Vis	Schraube	
4	322600095/0	2	Protection, Wheel	Protezione Ruote	Protection Roue	Schütz, Räder	
5	322034515/1	4	Bush	Bussola	Douille	Büchse	
6	322686091/1	2	Wheel Ø 165	Ruota Ø 165	Roue Ø 165	Rad Ø 165	
7	122524340/0	2	Pin	Perno	Pivot	Bolzen	
9	322120109/0	2	Ring Gear	Corona	Couronne	Kranz	
10	322170622/0	2	Spacer	Distanziale	Entretoise	Distanzring	
11	122034508/0	4	Bush	Bussola	Douille	Büchse	
12	322686093/0	2	Wheel Ø 190	Ruota Ø 190	Roue Ø190	Rad Ø 190	
13	112523050/0	2	Washer	Rosetta	Rondelle	Scheibe	
14	112735599/0	2	Screw	Vite	Vis	Schraube	
18	122033393/0	1	Axle, Rear Wheels	Asse Ruote Posteriore	Axe Roues Arriere	Achse, Hinterrad	



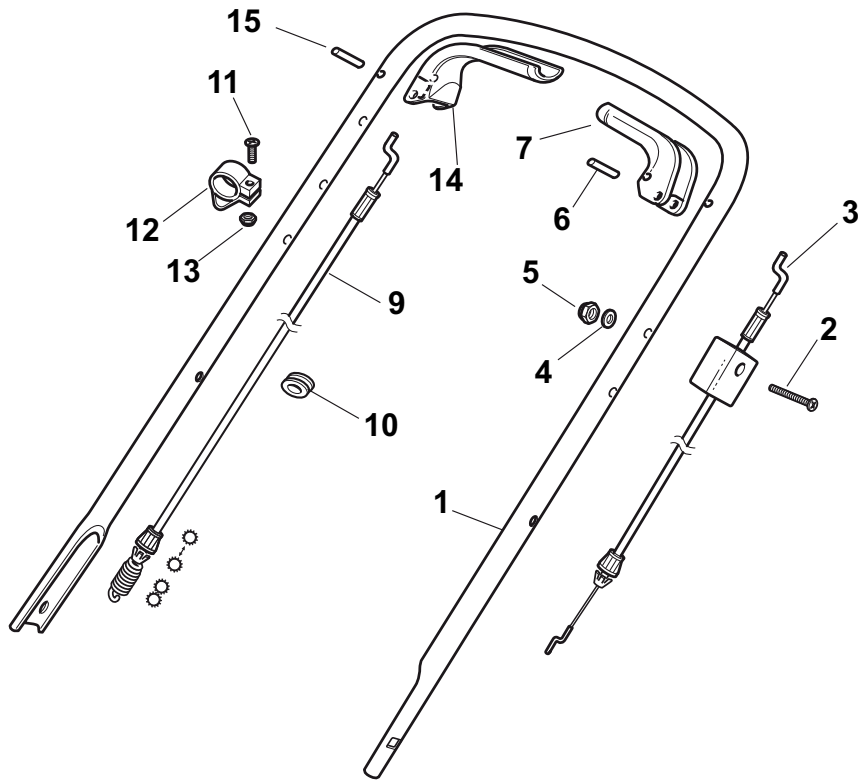
POS	PART. NO	Q.ty	DESCRIPTION	DESCRIZIONE	DESCRIPTION	BESCHREIBUNG	REMARKS
1	322108271/0	1	Front Conveyor Assy	Convogl. Anteriore	Ens. Convoyeur Avant	Hinterleitblechvorder	
2	112728686/0	6	Screw	Vite	Vis	Schraube	
5	322108272/2	1	Rear Conveyor Assy	Convogl. Posteriore	Ens. Convoyeur Post.	Hinterleitblechsatz	
6	322545189/0	4	Plate	Piastrina	Plaquette	Plättchen	
7	112728686/0	2	Screw	Vite	Vis	Schraube	
8	112728530/0	2	Screw	Vite	Vis	Schraube	
21	322060222/0	1	Protection, Belt	Carter Cinghia	Protection Courroie	Schutz, Riemen	
34	322140233/0	1	Deflector	Deflettore	Deflecteur	Abweiser	



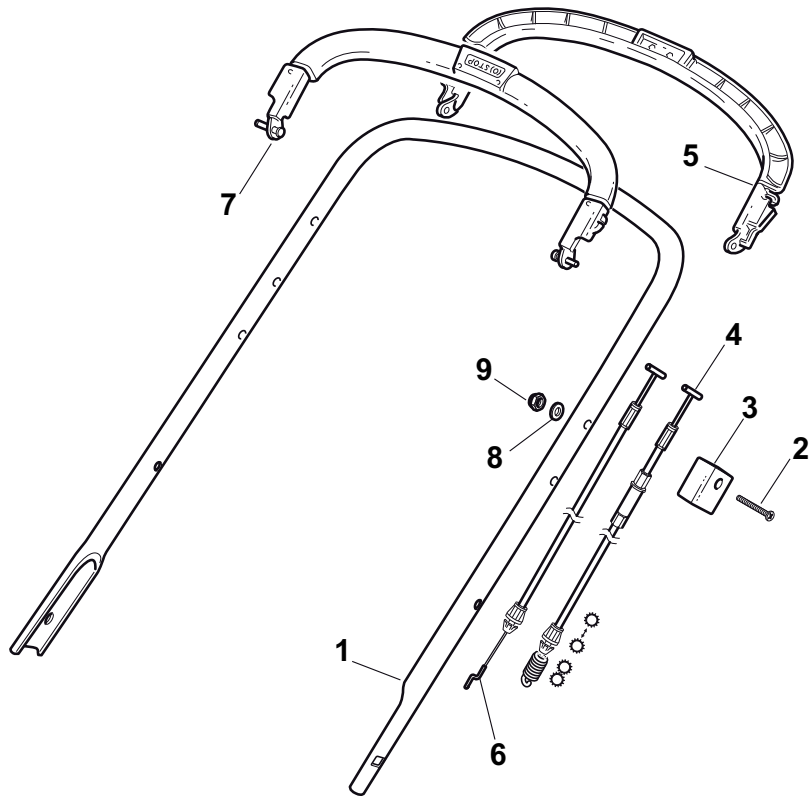
POS	PART. NO	Q.ty	DESCRIPTION	DESCRIZIONE	DESCRIPTION	BESCHREIBUNG	REMARKS
1	181003801/1	1	Guide Spring	Molla Guida	Ressort De Guide	Feder Führer	
2	381006687/0	1	Handle, Lower Part	Parte Inf Maniglia	Poignée, Partie Inferieure	Griff, Unterteil	
3	122680006/1	2	Washer	Rosetta	Rondelle	Scheibe	
4	322399804/1	2	Knob	Manopolina	Poignée	Griff	
5	112293200/0	2	Nut	Dado	Ecrou	Mutter	
6	112819201/0	1	Screw	Vite	Vis	Schraube	
7	112818900/0	2	Screw	Vite	Vis	Schraube	
8	322778425/0	1	Bracket, L	Staffa Sx	Etrier Gauche	Steigbügel, Linke	
9	122671653/0	2	Washer	Rosetta	Rondelle	Scheibe	
10	322399804/1	2	Knob	Manopolina	Poignée	Griff	
11	112293200/0	2	Nut	Dado	Ecrou	Mutter	
12	112760605/0	4	Screw	Vite	Vis	Schraube	
13	112521350/0	4	Washer	Rosetta	Rondelle	Scheibe	
14	322778423/0	1	Bracket, R	Staffa Dx	Etrier Droit	Steigbügel, Rechte	



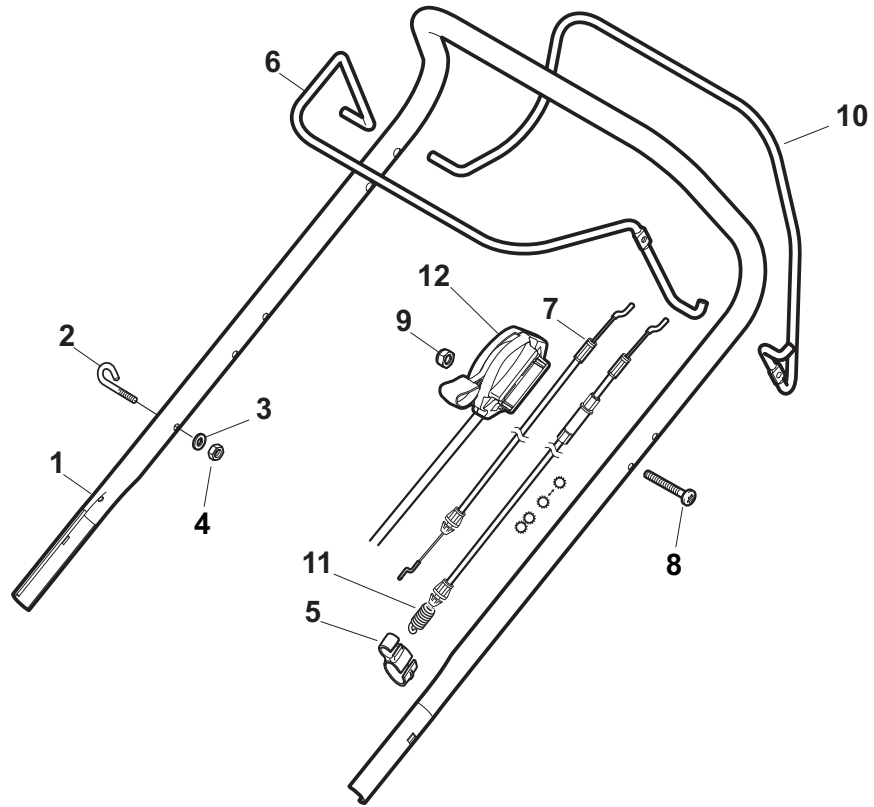
POS	PART. NO	Q.ty	DESCRIPTION	DESCRIZIONE	DESCRIPTION	BESCHREIBUNG	REMARKS
1	112760610/0	4	Screw	Vite	Vis	Schraube	
2	122671651/0	4	Washer	Rosetta	Rondelle	Scheibe	
3	322551579/0	2	Isolation Plate	Piastrina Isolamento	Plaquette De Isolement	Absonderung Platte	
4	381006600/0	1	Handle, Lower Part	Parte Inf Maniglia	Poignée, Partie Inferieure	Griff, Unterteil	
5	112819201/0	2	Screw	Vite	Vis	Schraube	
6	122680006/1	2	Washer	Rosetta	Rondelle	Scheibe	
7	322399804/1	2	Knob	Manopolina	Poignée	Griff	
8	112293200/0	2	Nut	Dado	Ecrou	Mutter	



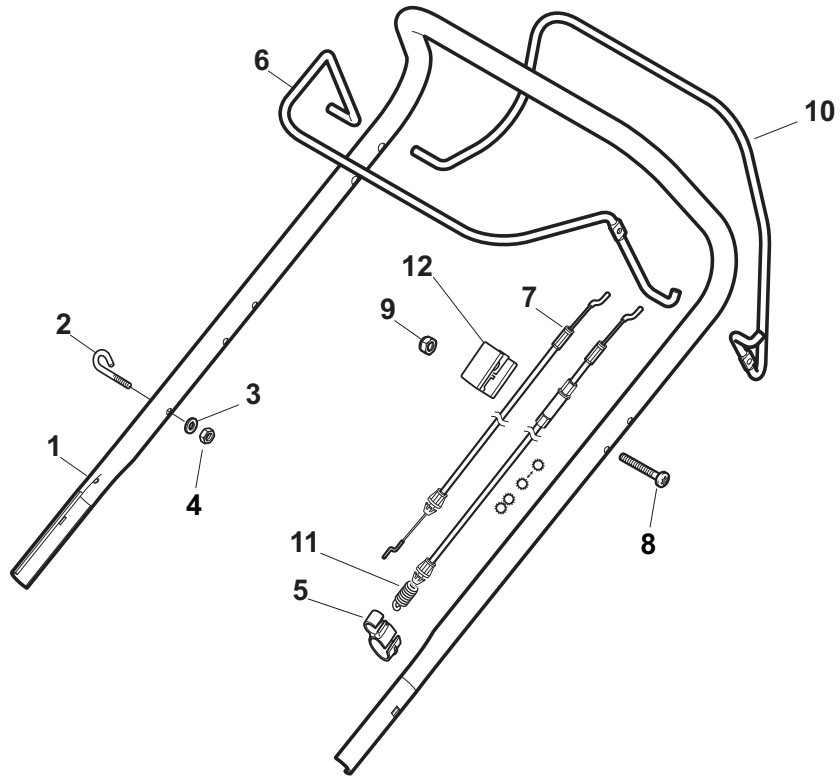
POS	PART. NO	Q.ty	DESCRIPTION	DESCRIZIONE	DESCRIPTION	BESCHREIBUNG	REMARKS
1	381006577/0	1	Handle, Upper Part	Manico, Parte Sup	Mancheron, Partie Superieure	Holm, Oberteil	
2	112674700/0	1	Screw	Vite	Vis	Schraube	
3	181030003/0	1	Cable, Thread Engine Brake	Cavo Freno Motore	Cable Frein Moteur	Kabel, Motorbremse	B&S 450-500
3	181030004/0	1	Cable, Thread Engine Brake	Cavo Freno Motore	Cable Frein Moteur	Kabel, Motorbremse	B&S 625-675 / Honda / GGP
3	181030005/0	1	Cable, Thread Engine Brake	Cavo Freno Motore	Cable Frein Moteur	Kabel, Motorbremse	Sumec
4	112521330/0	1	Washer	Rosetta	Rondelle	Scheibe	
5	112292100/0	1	Nut	Dado	Ecrou	Mutter	
6	112645710/0	1	Pin	Perno	Pivot	Bolzen	
7	322321700/1	1	Lever, Eng. Brake	Leva Freno Motore	Levier Frein Moteur	Hebel, Motorbremse	
9	381000654/0	1	Cable, Rear Drive	Cavo Comando Trazione	Câble, Comm. Traction	Kabel, Antrieb	
10	118564520/1	1	Fair Lead	Passacavo	Passe Cable	Kabeldurchgang	
11	112769616/0	1	Screw	Vite	Vis	Schraube	
12	322806521/0	1	Clamp	Staffa	Etrier	Bride	
13	112292100/0	1	Nut	Dado	Ecrou	Mutter	
14	322321701/0	1	Driving Lever	Leva Trazione	Levier Traction	Antriebhebel	
15	112645710/0	1	Pin	Perno	Pivot	Bolzen	



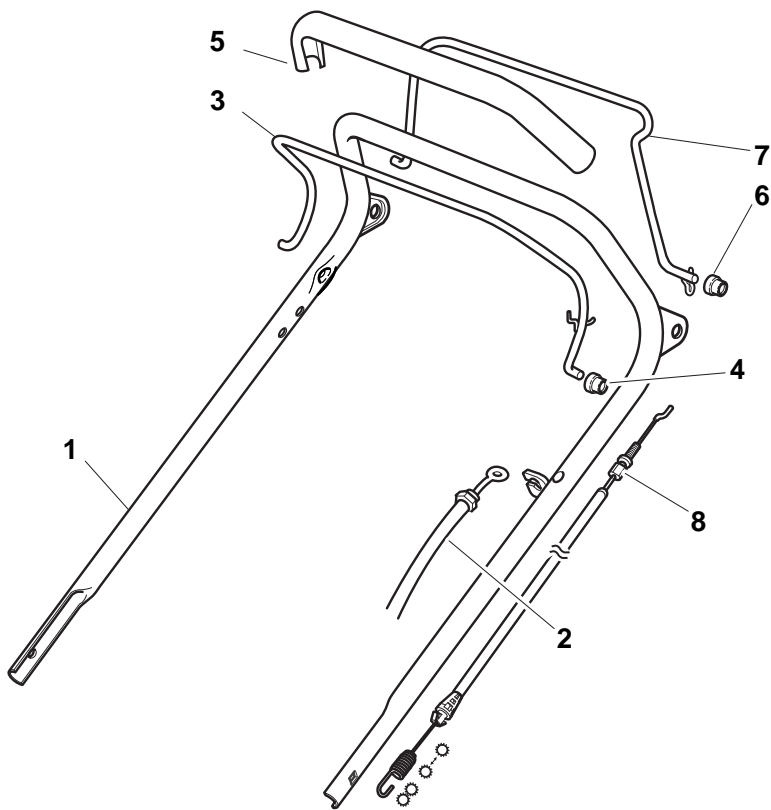
POS	PART. NO	Q.ty	DESCRIPTION	DESCRIZIONE	DESCRIPTION	BESCHREIBUNG	REMARKS
1	381006579/1	1	Handle, Upper Part	Manico, Parte Sup	Mancheron, Partie Superieure	Holm, Oberteil	
2	112689500/0	1	Screw	Vite	Vis	Schraube	
3	322551640/0	1	Plate	Piastrina	Plaquette	Plättchen	
4	381000659/0	1	Cable, Rear Drive	Cavo Comando Trazione	Câble, Comm. Traction	Kabel, Antrieb	
5	381003297/1	1	Driving Lever	Leva Trazione	Levier Traction	Antriebhebel	
6	181030000/0	1	Cable, Thread Engine Brake	Cavo Freno Motore	Cable Frein Moteur	Kabel, Motorbremse	Sumec
6	181030001/0	1	Cable, Thread Engine Brake	Cavo Freno Motore	Cable Frein Moteur	Kabel, Motorbremse	GGP / Honda / B&S
7	381003298/1	1	Lever, Engine Brake	Leva Freno Motore	Levier Frein Moteur	Hebel, Motorbremse	
8	112521330/0	1	Washer	Rosetta	Rondelle	Scheibe	
9	112292100/0	1	Nut	Dado	Ecrou	Mutter	



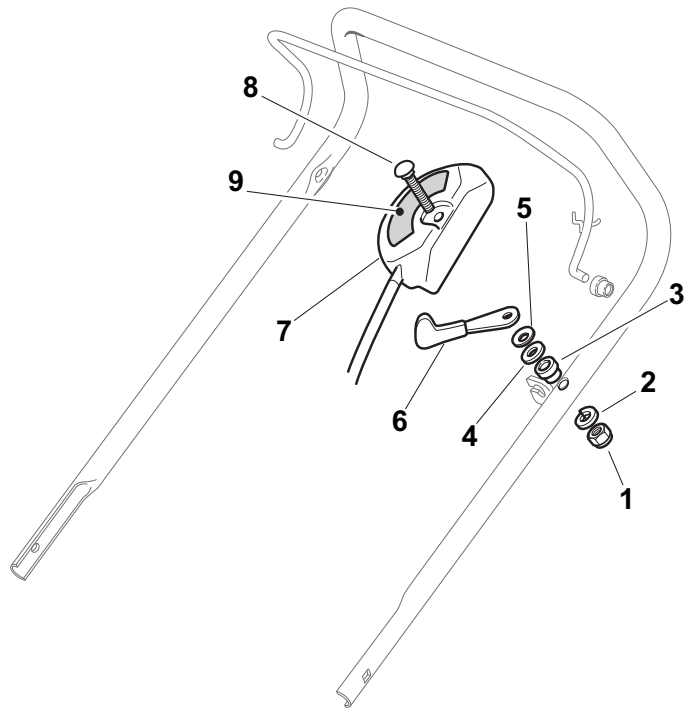
POS	PART. NO	Q.ty	DESCRIPTION	DESCRIZIONE	DESCRIPTION	BESCHREIBUNG	REMARKS
1	381006739/0	1	Handle, Upper Part	Manico, Parte Sup	Mancheron, Partie Superieure	Holm, Oberteil	
1	381006745/0	1	Handle, Upper Part with sponge handgrip	Manico, Parte Sup. con impugantura in spugna	Mancheron, Partie Superieure avec éponge poignée	Holm, Oberteil Handgriff Schwamm	
2	122430313/0	1	Guide Spring	Molla Guida	Ressort De Guide	Feder Führer	
3	112521330/0	1	Washer	Rosetta	Rondelle	Scheibe	
4	112154510/0	1	Nut	Dado	Ecrou	Mutter	
5	118390020/0	1	Fairlead	Fermacavo	Fixation Cable	Kabelbefestigung	
6	181003363/1	1	Lever, Engine Brake Black	Leva Freno Motore Nero	Levier Frein Moteur Noir	Hebel, Motorbremse Schwarz	
6	381003365/0	1	Lever, Engine Brake Yellow	Leva Freno Motore, Giallo	Levier Frein Moteur Jaune	Hebel, Motorbremse, Gelb	
6	381003376/0	1	Lever, Engine Brake Red	Leva Freno Motore, Rosso	Levier Frein Moteur Rouge	Hebel, Motorbremse, Rot	
7	181030057/0	1	Cable, Thread Engine Brake	Cavo Freno Motore	Cable Frein Moteur	Kabel, Motorbremse	Honda - B&S
7	181030054/0	1	Cable, Thread Engine Brake	Cavo Freno Motore	Cable Frein Moteur	Kabel, Motorbremse	GGP
8	112727788/0	1	Screw	Vite	Vis	Schraube	
9	112154510/0	1	Nut	Dado	Ecrou	Mutter	
10	181003364/0	1	Lever, Driving Black	Leva Trazione Nero	Levier Traction Noir	Hebel, Antrieb Schwarz	
10	381003366/0	1	Lever, Driving Yellow	Leva Trazione Giallo	Levier Traction Jaune	Hebel, Antrieb Gelb	
10	381003377/0	1	Lever, Driving Red	Leva Trazione Rosso	Levier Traction Rouge	Hebel, Antrieb Rot	
11	381030082/0	1	Cable, Rear Drive	Cavo Comando Trazione	Câble, Comm. Traction	Kabel, Antrieb	
12	181005508/0	1	Throttle Cable	Cavo Acceleratore	Cable, Accelérateur	Gashebel Kabel	B&S
12	181005507/0	1	Throttle Cable	Cavo Acceleratore	Cable, Accelérateur	Gashebel Kabel	GGP - Honda



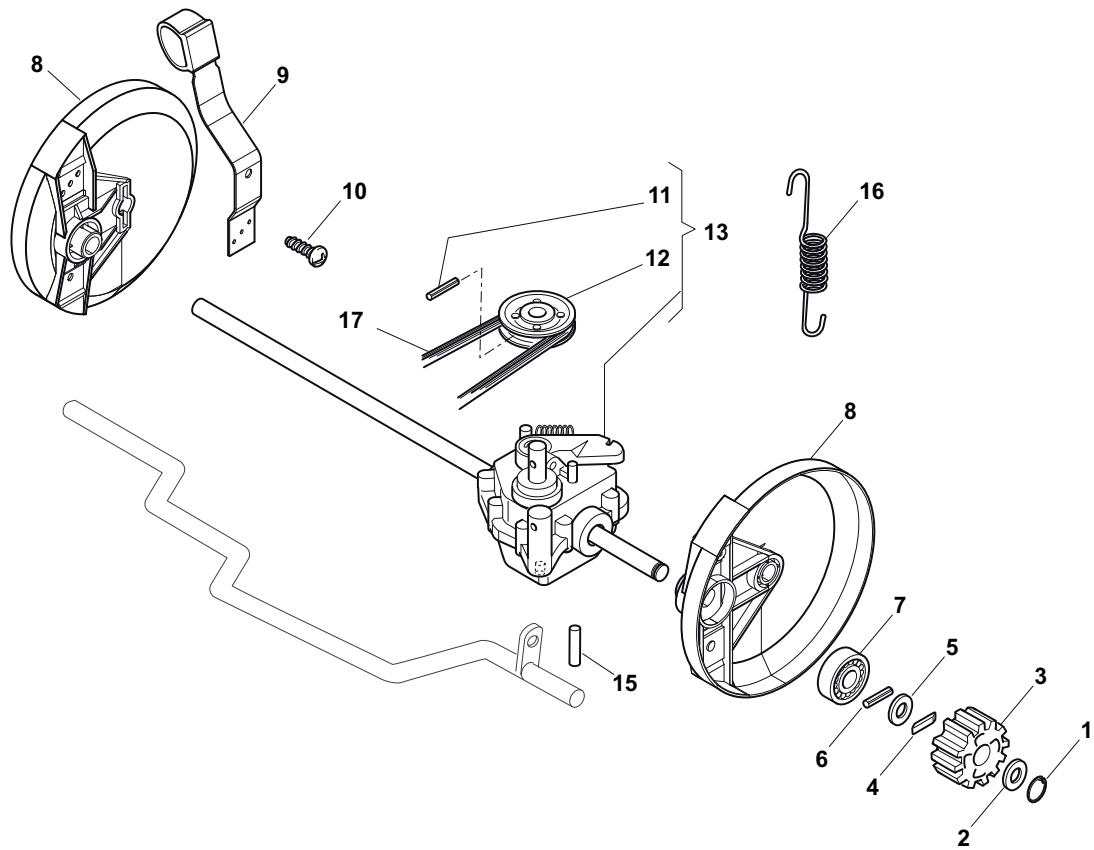
POS	PART. NO	Q.ty	DESCRIPTION	DESCRIZIONE	DESCRIPTION	BESCHREIBUNG	REMARKS
1	381006739/0	1	Handle, Upper Part	Manico, Parte Sup	Mancheron, Partie Superieure	Holm, Oberteil	
1	381006745/0	1	Handle, Upper Part with sponge handgrip	Manico, Parte Sup. con impugantura in spugna	Mancheron, Partie Superieure avec éponge poignée	Holm, Oberteil Handgriff Schwamm	
2	122430313/0	1	Guide Spring	Molla Guida	Ressort De Guide	Feder Führer	
3	112521330/0	1	Washer	Rosetta	Rondelle	Scheibe	
4	112154510/0	1	Nut	Dado	Ecrou	Mutter	
5	118390020/0	1	Fairlead	Fermacavo	Fixation Cable	Kabelbefestigung	
6	181003363/1	1	Lever, Engine Brake Black	Leva Freno Motore Nero	Levier Frein Moteur Noir	Hebel, Motorbremse Schwarz	
6	381003365/0	1	Lever, Engine Brake Yellow	Leva Freno Motore, Giallo	Levier Frein Moteur Jaune	Hebel, Motorbremse, Gelb	
6	381003376/0	1	Lever, Engine Brake Red	Leva Freno Motore, Rosso	Levier Frein Moteur Rouge	Hebel, Motorbremse, Rot	
7	181030057/0	1	Cable, Thread Engine Brake	Cavo Freno Motore	Cable Frein Moteur	Kabel, Motorbremse	Honda - B&S
7	181030054/0	1	Cable, Thread Engine Brake	Cavo Freno Motore	Cable Frein Moteur	Kabel, Motorbremse	GGP
8	112727788/0	1	Screw	Vite	Vis	Schraube	
9	112154510/0	1	Nut	Dado	Ecrou	Mutter	
10	181003364/0	1	Lever, Driving Black	Leva Trazione Nero	Levier Traction Noir	Hebel, Antrieb Schwarz	
10	381003366/0	1	Lever, Driving Yellow	Leva Trazione Giallo	Levier Traction Jaune	Hebel, Antrieb Gelb	
10	381003377/0	1	Lever, Driving Red	Leva Trazione Rosso	Levier Traction Rouge	Hebel, Antrieb Rot	
11	381030082/0	1	Cable, Rear Drive	Cavo Comando Trazione	Câble, Comm. Traction	Kabel, Antrieb	
12	322551640/0	1	Plate	Piastrina	Plaquette	Plättchen	



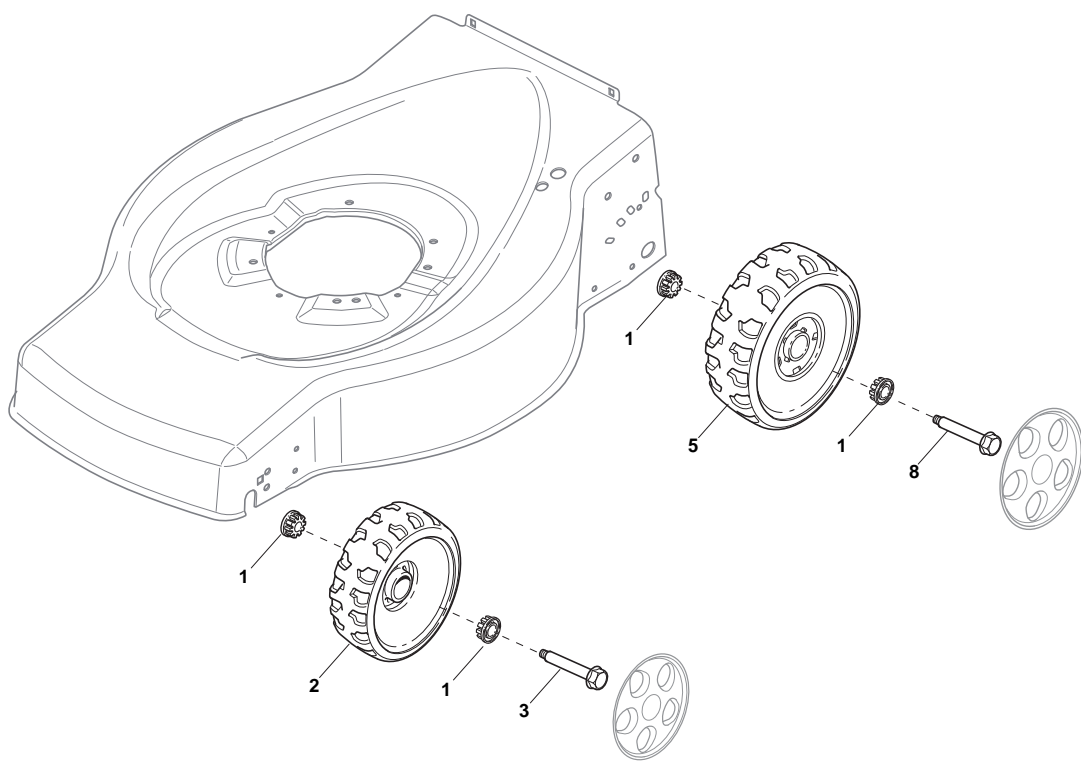
POS	PART. NO	Q.ty	DESCRIPTION	DESCRIZIONE	DESCRIPTION	BESCHREIBUNG	REMARKS
1	381007024/0	1	Handle, Upper Part	Manico, Parte Sup	Mancheron, Partie Superieure	Holm, Oberteil	
2	181000760/0	1	Cable, Thread Engine Brake	Cavo Freno Motore	Cable Frein Moteur	Kabel, Motorbremse	B&S 625-675 / GGP
2	181000761/0	1	Cable, Thread Engine Brake	Cavo Freno Motore	Cable Frein Moteur	Kabel, Motorbremse	B&S 450-500 / Honda
3	181003291/3	1	Lever, Engine Brake	Leva Freno Motore	Levier Frein Moteur	Hebel, Motorbremse	
4	122041966/0	2	Bush	Bussola	Douille	Büchse	
5	122291050/0	1	Handgrip Black	Impugnatura Manico Nera	Poignée Noir	Handgriff Schwarz	
6	322041965/1	2	Bush	Bussola	Douille	Büchse	
7	181003288/1	1	Lever, Driving	Leva Trazione	Levier Traction	Antriebhebel	
8	381000778/0	1	Cable, Rear Drive	Cavo Comando Trazione	Câble, Comm. Traction	Kabel, Antrieb	



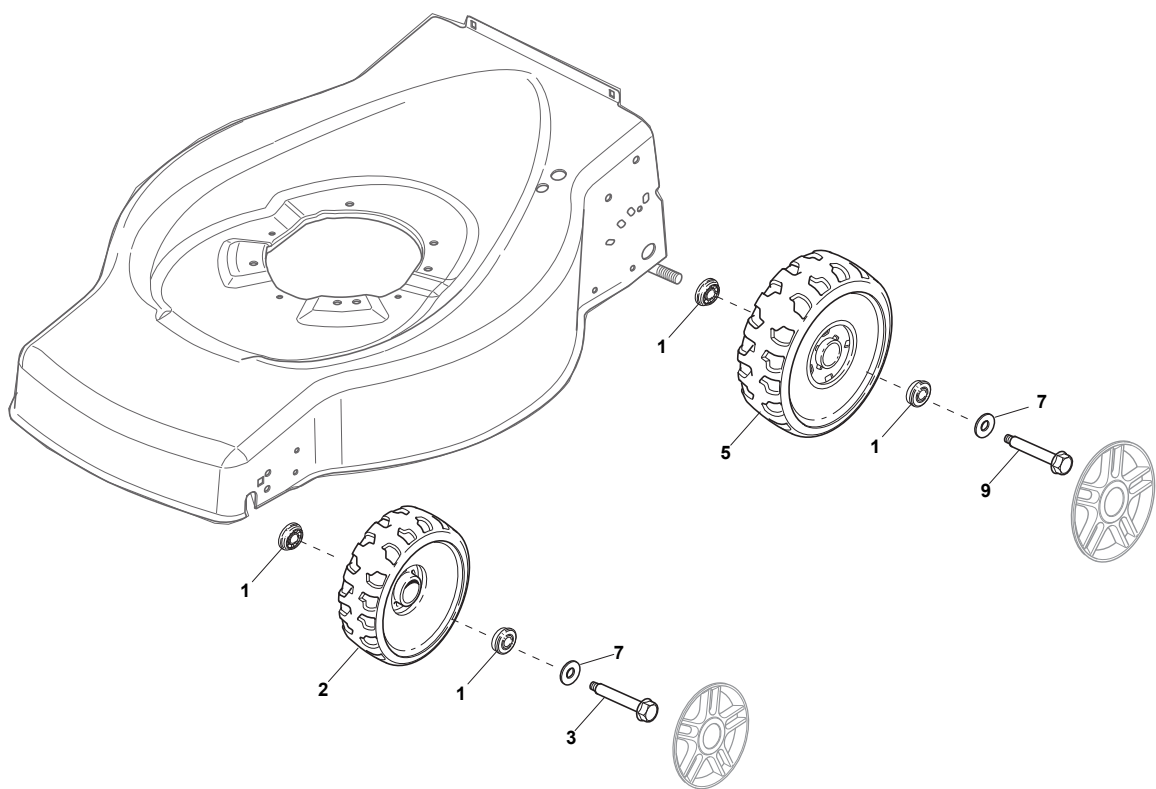
POS	PART. NO	Q.ty	DESCRIPTION	DESCRIZIONE	DESCRIPTION	BESCHREIBUNG	REMARKS
1	112291000/0	1	Nut	Dado	Ecrou	Mutter	
2	112581500/0	1	Grower	Grower	Grower	Federring	
3	122171005/0	1	Spacer	Distanziale	Entretoise	Distanzring	
4	112521360/0	1	Washer	Rosetta	Rondelle	Scheibe	
5	112508100/0	1	Spring Washer	Rosetta Elastica	Rondelle Elastique	Elastische Scheibe	
6	381007220/0	1	Lever, Throttle	Leva, Acceleratore	Levier, Accelérateur	Hebel, Beschleuniger	B&S450-500 / GGP 150cc
6	381007279/1	1	Lever, Throttle	Leva, Acceleratore	Levier, Accelérateur	Hebel, Beschleuniger	GGP - Honda - B&S
7	481007080/0	1	Throttle Cable	Cavo Acceleratore	Cable, Accelérateur	Gashebel Kabel	
8	112815000/0	1	Screw	Vite	Vis	Schraube	
9	114356702/0	1	Label	Etichetta	Etiquette	Etikette	Honda - GGP
9	114356703/0	1	Label	Etichetta	Etiquette	Etikette	B&S
9	114356905/0	1	Label	Etichetta	Etiquette	Etikette	B&S DOV
9	114356905/0	1	Label	Etichetta	Etiquette	Etikette	Honda Autochocke



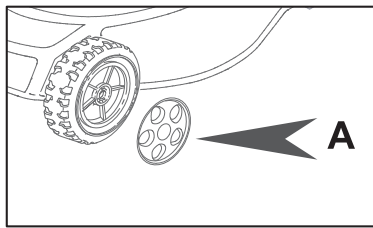
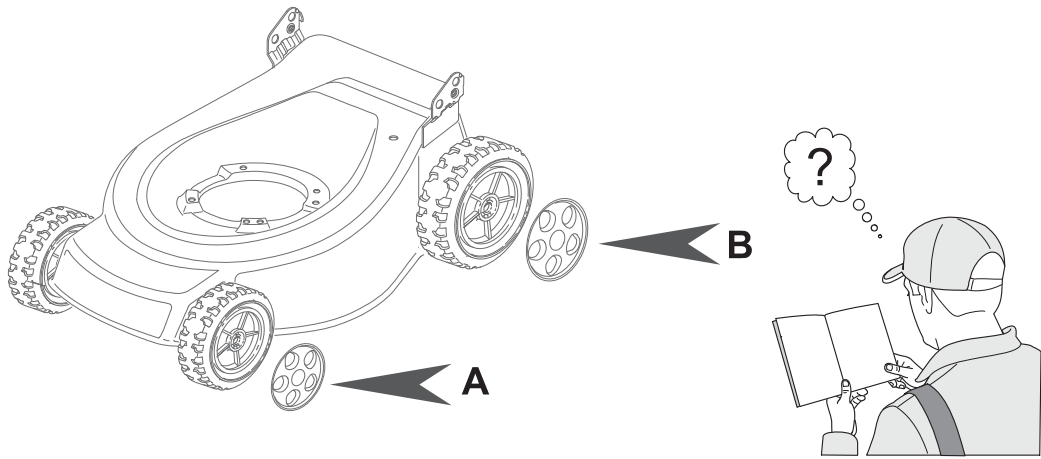
POS	PART. NO	Q.ty	DESCRIPTION	DESCRIZIONE	DESCRIPTION	BESCHREIBUNG	REMARKS
1	112608520/0	2	Seeger	Seeger	Seeger	Seeger	
2	322160520/0	2	Dust Cover	Disco Parapolvere	Protege-Poussiere	Staubschuttscheibe	
3	122570125/0	2	Pinion	Pignone	Pignon	Ritzel	
4	122076645/0	2	Key	Chiave	Clef	Schlüssel	
5	322160520/0	2	Dust Cover	Disco Parapolvere	Protege-Poussiere	Staubschuttscheibe	
6	112622620/0	2	Pin	Perno	Pivot	Bolzen	
7	122122202/0	2	Bearing	Cuscinetto	Coussinet	Lager	
8	322600106/1	2	Protection, Wheel	Protezione Ruote	Protection Roue	Schütz, Räder	
9	381003303/0	1	Lever, Height Adjustment	Leva Regolazione Altezza	Levier Reglage Hauteur	Hebel, Höneverstellung	
10	112728689/0	2	Screw	Vite	Vis	Schraube	
11	112713801/0	1	Dowel	Grano	Goupille	Stift	
12	122601909/0	1	Pulley	Puleggia	Poulie	Riemenscheibe	
13	181003093/1	1	Gear Box	Gruppo Trazione	Groupe Traction	Antrieb	
15	122753001/0	2	Pin	Perno	Pivot	Bolzen	
16	122450438/0	1	Spring	Molla	Ressort	Feder	
17	135064100/0	1	Belt	Cinghia	Courroire	Riemen	



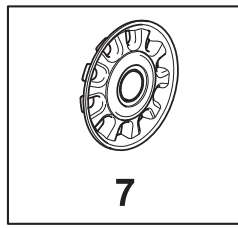
POS	PART. NO	Q.ty	DESCRIPTION	DESCRIZIONE	DESCRIPTION	BESCHREIBUNG	REMARKS
1	122034508/0	8	Bush	Bussola	Douille	Büchse	
2	322686091/1	2	Wheel Ø 165	Ruota Ø 165	Roue Ø 165	Rad Ø 165	
3	122524341/0	4	Pin	Perno	Pivot	Bolzen	
5	322686092/0	2	Wheel Ø 190	Ruota Ø 190	Roue Ø190	Rad Ø 190	
8	122524341/0	2	Pin	Perno	Pivot	Bolzen	



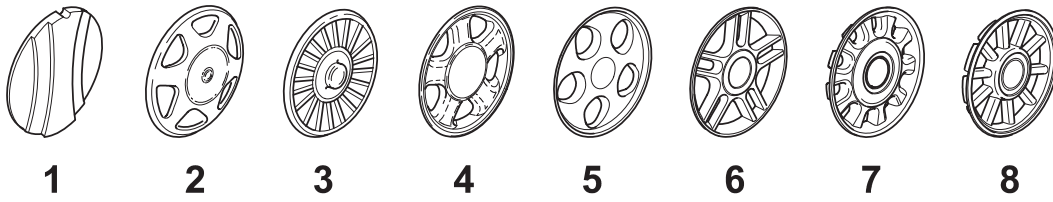
POS	PART. NO	Q.ty	DESCRIPTION	DESCRIZIONE	DESCRIPTION	BESCHREIBUNG	REMARKS
1	122122200/0	8	Bearing	Cuscinetto	Coussinet	Lager	
2	322686091/1	2	Wheel Ø 165	Ruota Ø 165	Roue Ø 165	Rad Ø 165	
3	122524341/0	4	Pin	Perno	Pivot	Bolzen	
5	322686092/0	2	Wheel Ø 190	Ruota Ø 190	Roue Ø190	Rad Ø 190	
7	122675100/0	4	Washer	Rosetta	Rondelle	Scheibe	
9	112735599/0	2	Screw	Vite	Vis	Schraube	



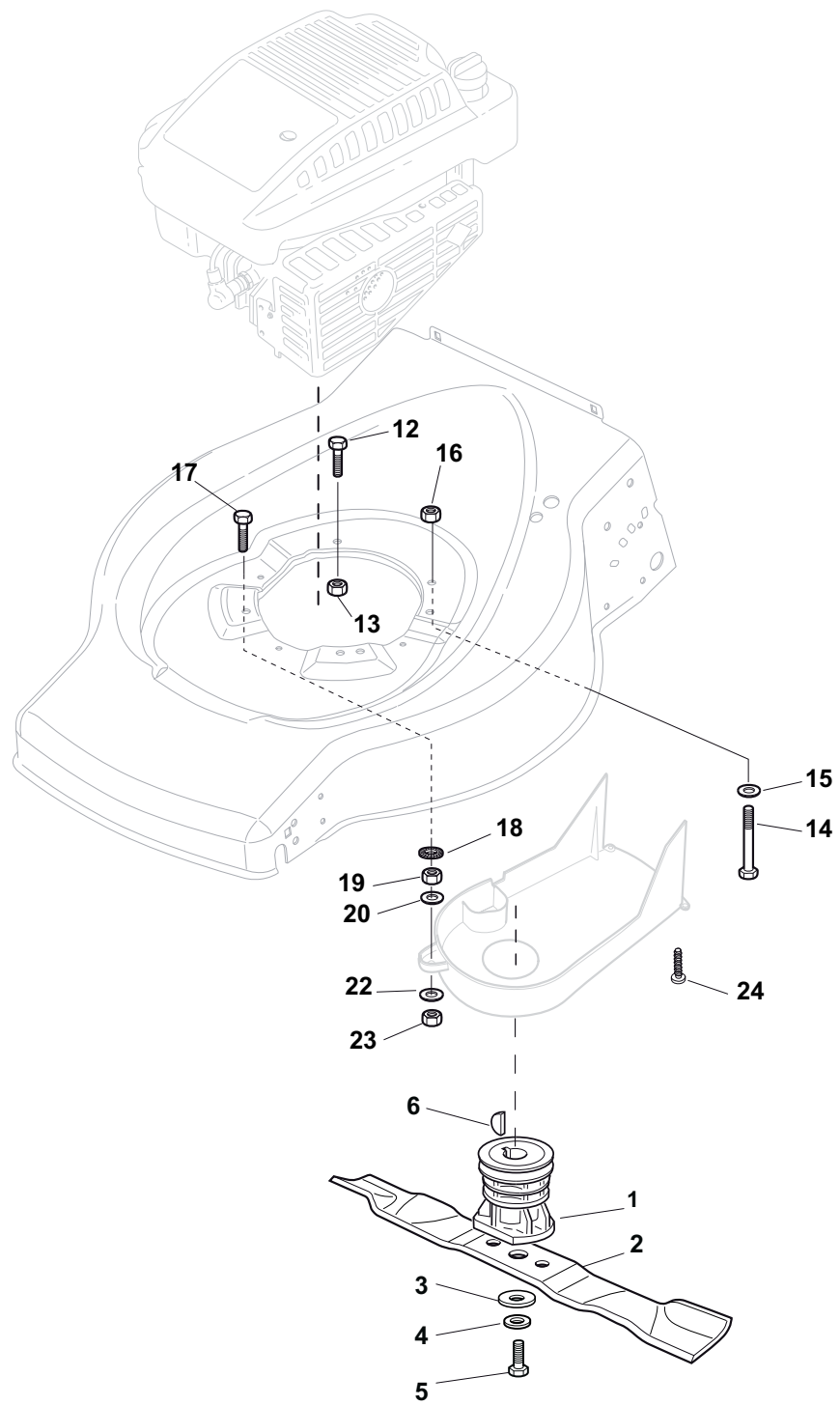
+



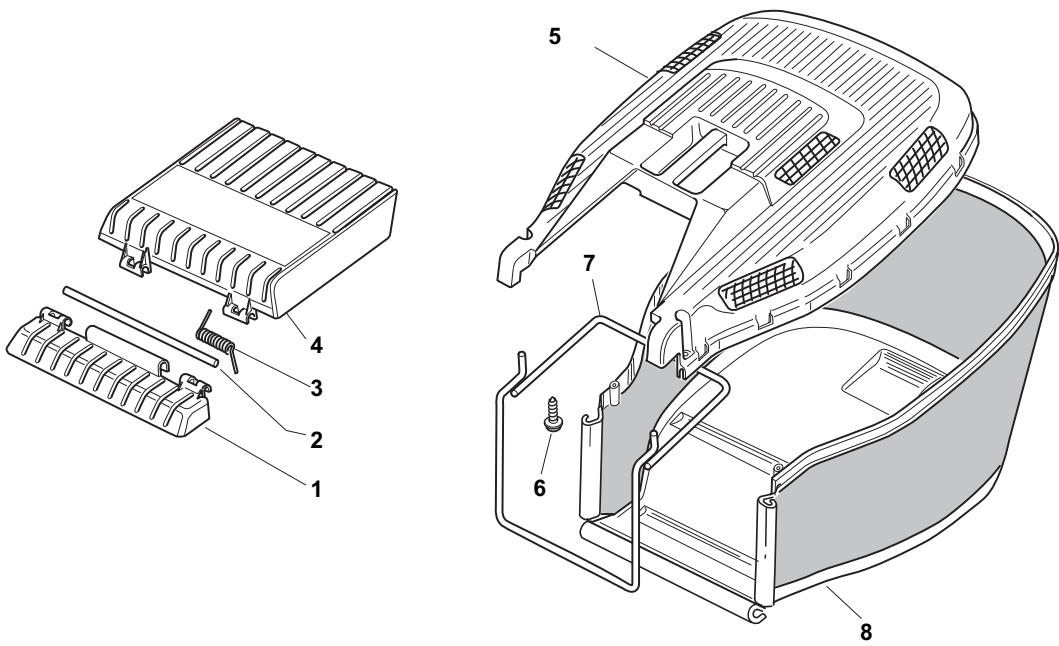
= A7



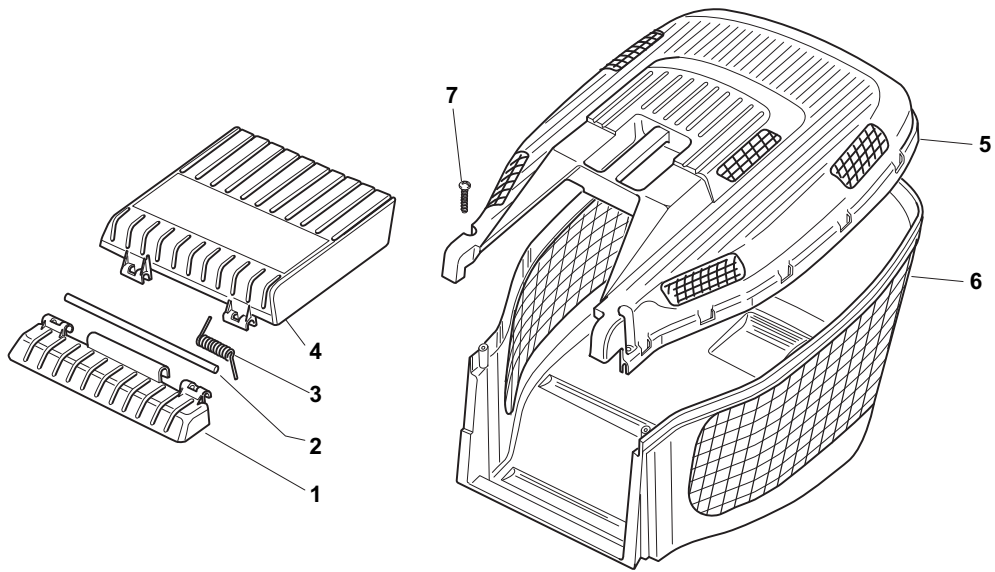
POS	PART. NO	Q.ty	DESCRIPTION	DESCRIZIONE	DESCRIPTION	BESCHREIBUNG	REMARKS
A1	22110252/1	2	Hub Cap White	Coprimito Bianco	Couvre-Moyeu Blanc	Radkappe Weiß	
A1	22110254/1	2	Hub Cap Yellow	Coprimito Giallo	Couvre-Moyeu Jaune	Radkappe Gelb	
A1	22110255/1	2	Hub Cap Red	Coprimito Rosso	Couvre-Moyeu Rouge	Radkappe Rot	
A2	22110344/0	2	Hub Cap White	Coprimito Bianco	Couvre-Moyeu Blanc	Radkappe Weiß	
A2	22110395/0	2	Hub Cap Grey	Coprimito Grigio	Couvre-Moyeu Gris	Radkappe Grau	
A3	22110347/0	2	Hub Cap Grey	Coprimito Grigio	Couvre-Moyeu Gris	Radkappe Grau	
A4	22110381/0	2	Hub Cap Grey	Coprimito Grigio	Couvre-Moyeu Gris	Radkappe Grau	
A5	22110416/0	2	Hub Cap Grey	Coprimito Grigio	Couvre-Moyeu Gris	Radkappe Grau	
A6	22110491/0	2	Hub Cap Grey	Coprimito Grigio	Couvre-Moyeu Gris	Radkappe Grau	
A7	22110493/0	2	Hub Cap Grey	Coprimito Grigio	Couvre-Moyeu Gris	Radkappe Grau	
A8	22110495/0	2	Hub Cap Grey	Coprimito Grigio	Couvre-Moyeu Gris	Radkappe Grau	
B1	22110251/0	2	Hub Cap White	Coprimito Bianco	Couvre-Moyeu Blanc	Radkappe Weiß	
B1	22110253/0	2	Hub Cap Yellow	Coprimito Giallo	Couvre-Moyeu Jaune	Radkappe Gelb	
B1	22110256/0	2	Hub Cap Grey	Coprimito Grigio	Couvre-Moyeu Gris	Radkappe Grau	
B2	22110313/0	2	Hub Cap White	Coprimito Bianco	Couvre-Moyeu Blanc	Radkappe Weiß	
B2	22110314/0	2	Hub Cap Grey	Coprimito Grigio	Couvre-Moyeu Gris	Radkappe Grau	
B3	22110348/0	2	Hub Cap Grey	Coprimito Grigio	Couvre-Moyeu Gris	Radkappe Grau	
B4	22110382/0	2	Hub Cap Grey	Coprimito Grigio	Couvre-Moyeu Gris	Radkappe Grau	
B5	22110417/0	2	Hub Cap Grey	Coprimito Grigio	Couvre-Moyeu Gris	Radkappe Grau	
B6	22110492/0	2	Hub Cap Grey	Coprimito Grigio	Couvre-Moyeu Gris	Radkappe Grau	
B7	22110494/0	2	Hub Cap Grey	Coprimito Grigio	Couvre-Moyeu Gris	Radkappe Grau	
B8	22110496/0	2	Hub Cap Grey	Coprimito Grigio	Couvre-Moyeu Gris	Radkappe Grau	



POS	PART. NO	Q.ty	DESCRIPTION	DESCRIZIONE	DESCRIPTION	BESCHREIBUNG	REMARKS
1	122465607/3	1	Hub With Pulley, Crankshaft Ø 22.2	Mozzo Con Puleggia, Albero Motore Ø 22.2	Moyeu Avec Poulie, Arbre Moteur Ø 22.2	Nabe Mit Scheibe, Motorwelle Ø 22.2	B&S-GGP Engine
1	122465608/2	1	Hub With Pulley, Crankshaft Ø 25	Mozzo Con Puleggia, Albero Motore Ø 25	Moyeu Avec Poulie, Arbre Moteur Ø 25	Nabe Mit Scheibe, Motorwelle Ø 25	Honda Engine
2	181004381/1	1	Blade	Coltello	Lame	Messer	
3	122160400/0	1	Elastic Washer	Disco Elastico	Disque Elastique	Federscheibe	
4	112523080/0	1	Washer	Rosetta	Rondelle	Scheibe	
5	112735698/0	1	Screw	Vite	Vis	Schraube	
6	112139100/0	1	Feather, Crankshaft Ø 22.2	Linguetta, Albero Motore Ø 22.2	Clavette, Arbre Moteur Ø 22.2	Keil, Motorwelle Ø 22.2	B&S-GGP Engine
6	112139150/0	1	Feather, Crankshaft Ø 25	Linguetta, Albero Motore Ø 25	Clavette, Arbre Moteur Ø 25	Keil, Motorwelle Ø 25	Honda Engine
12	112793701/0	2	Screw	Vite	Vis	Schraube	B&S Engine
12	112691100/0	2	Screw	Vite	Vis	Schraube	Honda-GGP
12	112793701/0	2	Screw	Vite	Vis	Schraube	Sumec Engine
13	112293201/0	2	Nut	Dado	Ecrou	Mutter	
14	112691100/0	2	Screw	Vite	Vis	Schraube	GGP-Not for Honda Engine
14	112691800/0	1	Screw	Vite	Vis	Schraube	B&S-Not for Honda Engine
15	112521350/0	1	Washer	Rosetta	Rondelle	Scheibe	
16	112155000/0	1	Nut	Dado	Ecrou	Mutter	
17	322943100/0	3	Screw	Vite	Vis	Schraube	B&S Engine
17	112775000/0	3	Screw	Vite	Vis	Schraube	Honda Engine
17	112691115/0	3	Screw	Vite	Vis	Schraube	GGP 150-196cc
17	112691200/0	3	Screw	Vite	Vis	Schraube	GGP 140-160cc
18	112540060/0	1	Washer	Rosetta	Rondelle	Scheibe	
19	112293200/0	1	Nut	Dado	Ecrou	Mutter	
20	122671651/0	1	Washer	Rosetta	Rondelle	Scheibe	
22	325670011/0	1	Washer	Rosetta	Rondelle	Scheibe	
23	112155000/0	1	Nut	Dado	Ecrou	Mutter	
24	112728530/0	2	Screw	Vite	Vis	Schraube	



POS	PART. NO	Q.ty	DESCRIPTION	DESCRIZIONE	DESCRIPTION	BESCHREIBUNG	REMARKS
1	322785136/1	1	Support	Supporto	Support	Halter	
2	122517858/0	1	Pin	Perno	Pivot	Bolzen	
3	122450431/0	1	Spring	Molla	Ressort	Feder	
4	322600099/2	1	Stone-Guard	Parasassi	Pare-Pierres	Prallblech	
5	322486122/0	1	Grassbox Upper Part	Parte Sup.Sacco	Sac, Partie Superieure	Korb Oberteil	
6	112728686/0	2	Screw	Vite	Vis	Schraube	
7	181006419/0	1	Chassis Box	Telaio Sacco	Châssis Bac	Rahmen Sack	
8	181002229/0	1	Box, Fabric	Sacco, Tela	Sac, Toile	Sack, Tuck	



POS	PART. NO	Q.ty	DESCRIPTION	DESCRIZIONE	DESCRIPTION	BESCHREIBUNG	REMARKS
1	322785136/1	1	Support	Supporto	Support	Halter	
2	122517858/0	1	Pin	Perno	Pivot	Bolzen	
3	122450431/0	1	Spring	Molla	Ressort	Feder	
4	322600099/2	1	Stone-Guard	Parasassi	Pare-Pierres	Prallblech	
5	322486122/0	1	Grassbox Upper Part	Parte Sup.Sacco	Sac, Partie Superieure	Korb Oberteil	
6	322486128/0	1	Grassbox Lower Part	Parte Infer. Sacco	Sac, Partie Inferieure	Korb Unterteil	
7	112728686/0	2	Screw	Vite	Vis	Schraube	