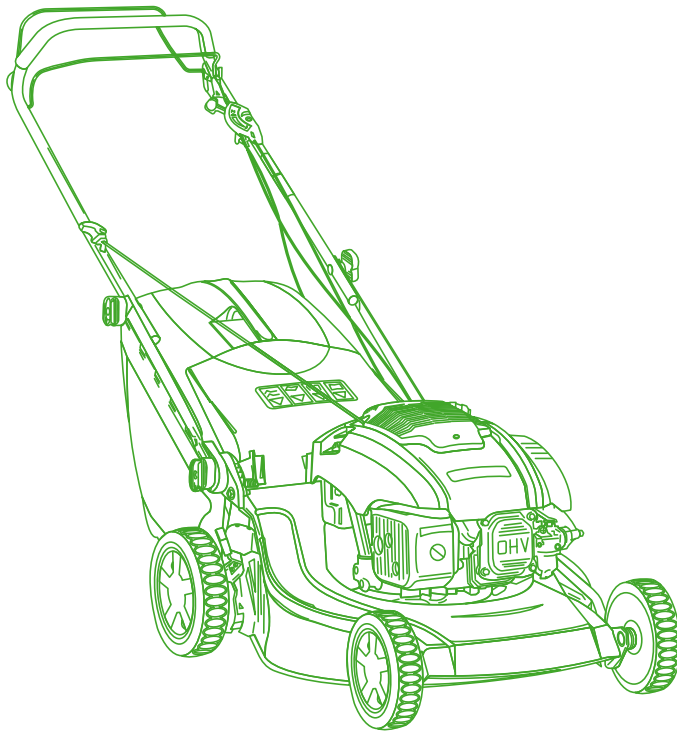


ILLUSTRATED PARTS LIST

T 484



- Use GLOBAL GARDEN PRODUCT Genuine Spare Parts specified in the parts list for repair and/or replacement.
- The contents described in the parts list may change due to improvement.
- The drawings of the spare parts are only indicative and might not represent the part in question exactly.
- The indications "right" - "left" - "front" - "rear" refer to the position of the operator when using the machine.
- When placing orders of parts for repair and/or replacement, make sure that the illustrated parts list is the one applying to the machine's year of manufacture, as shown on the identification plate attached to the machine.

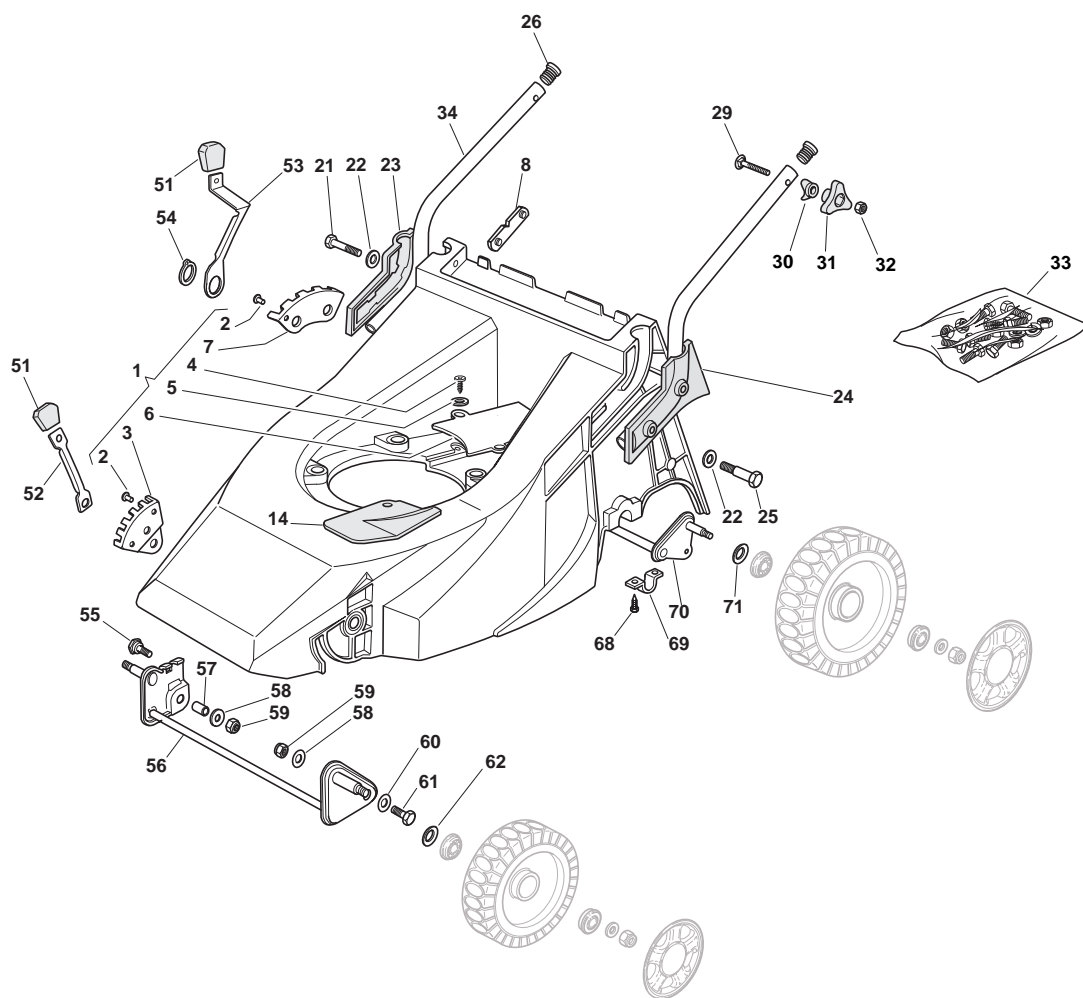
© Copyright 2012 Global Garden Products

All content is subject to copyright by Global Garden Products and may not be reproduced in whole or in part by any means, electronic or otherwise, without prior written approval.

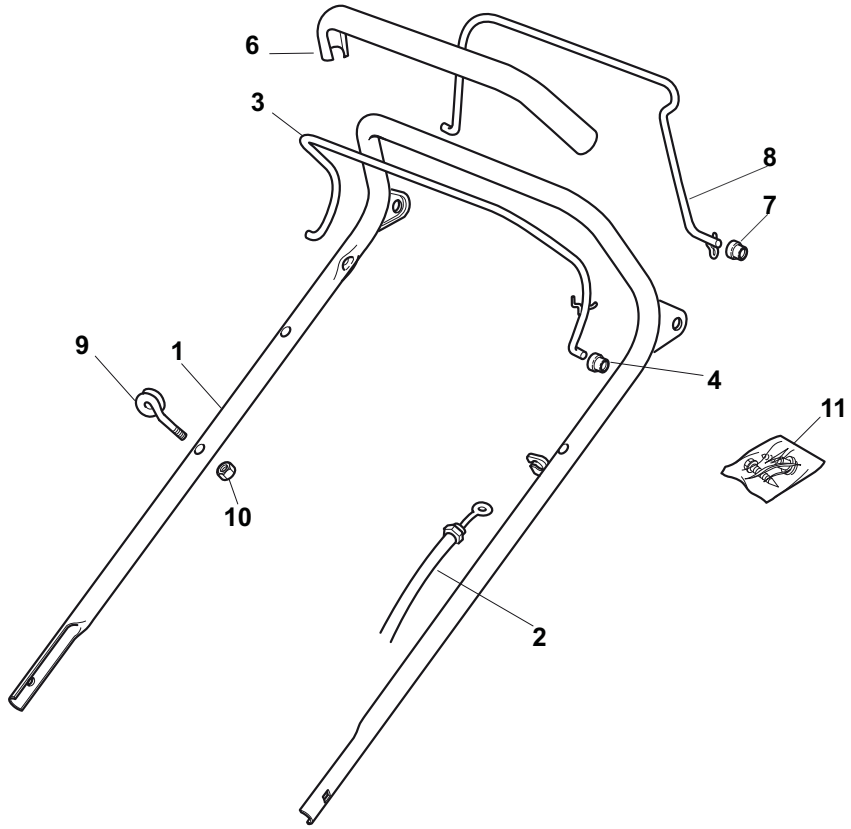
THIS INFORMATION IS NOT INTENDED FOR SALE OR RESALE, AND THIS NOTICE MUST REMAIN ON ALL COPIES.



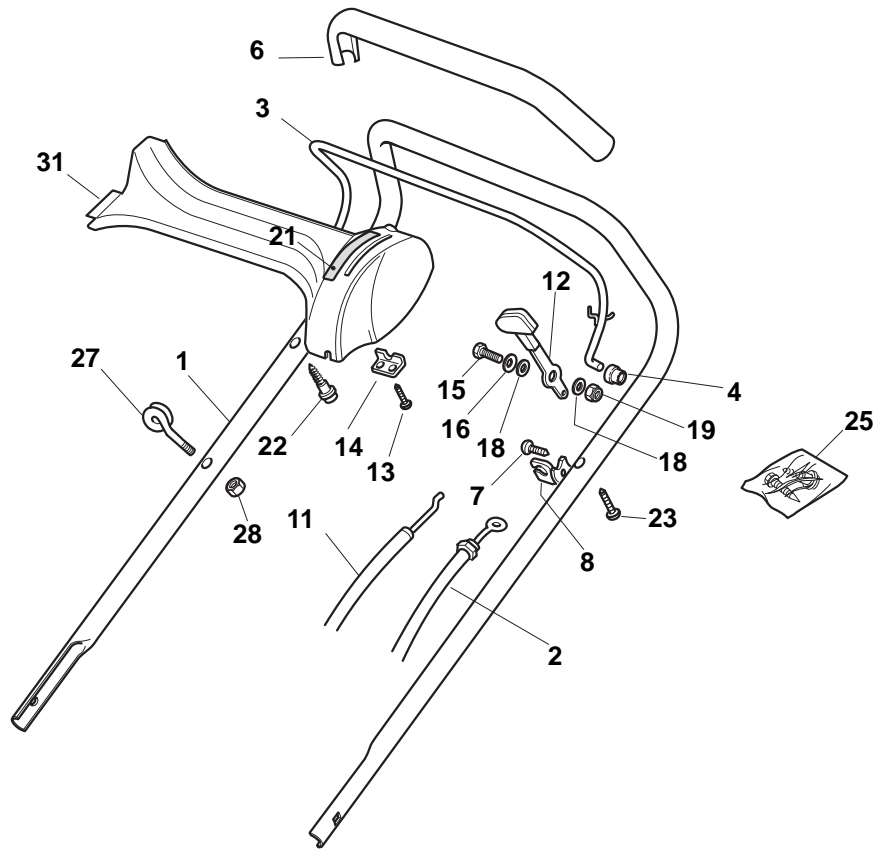
GLOBAL GARDEN PRODUCTS



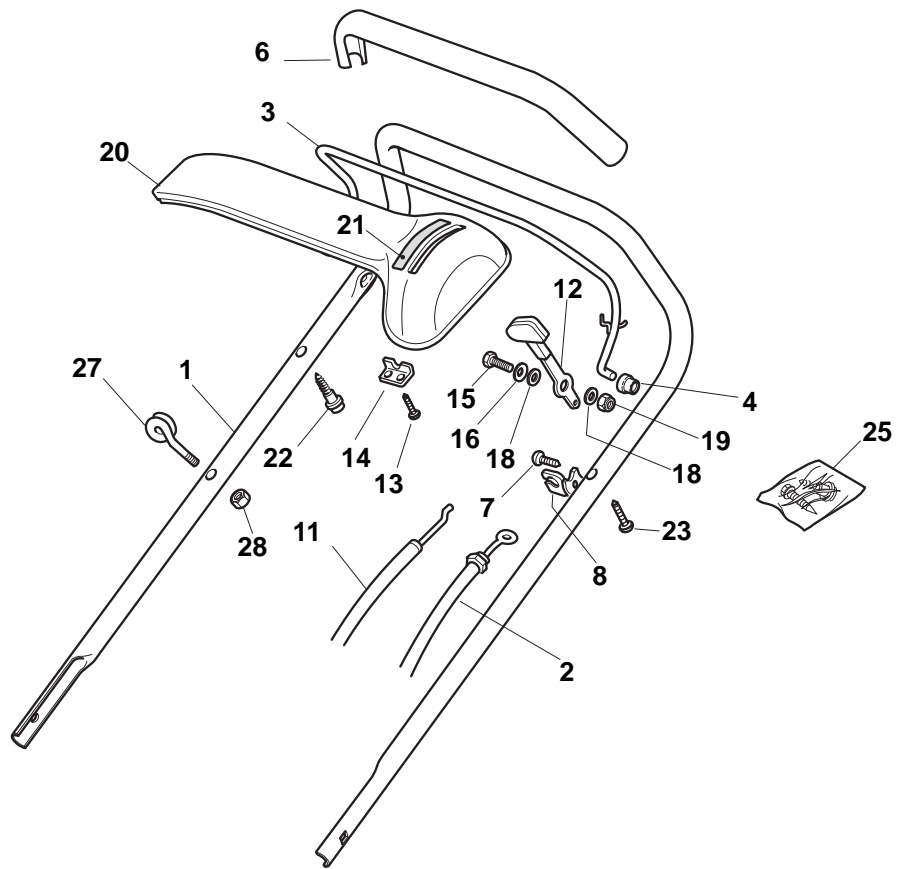
POS	PART. NO	Q.ty	DESCRIPTION	DESCRIZIONE	DESCRIPTION	BESCHREIBUNG	REMARKS
1	81001416/2	1	Deck Red	Chassis Rosso	Châssis Rouge	Gehäuse Rot	
2	12500070/0	3	Rivet	Rivetto	Rivet	Niete	
3	22735535/0	1	Sector, Height Adjustment	Settore Regolazione Altezza	Secteur Reglage Hauteur	Sektor, Höhenverstellung	
4	12728680/0	2	Screw	Vite	Vis	Schraube	
5	12523020/0	3	Washer	Rosetta	Rondelle	Scheibe	
6	22060172/0	1	Protection, Belt	Carter Cinghia	Protection	Schutz, Riemen	
7	22735508/0	1	Sector, Height Adjustment	Settore Regolazione Altezza	Secteur Reglage Hauteur	Sektor, Höhenverstellung	
8	22551632/1	2	Plate For Handle Fastening	Piastrina Fissaggio Manico	Plaquette Fixage Mancheron	Platte Holmbefestigung	
14	22484070/1	1	Muffler Guard	Paracalore	Grille De	Schutzabdeckung	
21	12728680/0	2	Screw	Vite	Vis	Schraube	
22	12521350/0	4	Washer	Rosetta	Rondelle	Scheibe	
23	22600042/0	1	Protection, R	Prot. Manico Dx	Protection Mancheron D	Schutz,	
24	22600043/0	1	Protection, L	Prot. Manico Sx	Protection Mancheron G	Schutz, Linkerholm	
25	12691900/0	2	Screw	Vite	Vis	Schraube	
26	18566110/0	2	Cap	Puntale	Bouchon	Gummistopfen	
29	12819120/0	2	Screw	Vite	Vis	Schraube	
30	22680006/1	2	Washer	Rosetta	Rondelle	Scheibe	
31	22399900/0	2	Knob	Manopolina	Poignée	Griff	
32	12293200/0	2	Nut	Dado	Ecrou	Mutter	
33	81008606/1	1	Outfit, Screws	Dotazione Viteria	Dotation Visserie	Satz, Schrauben	
34	81006917/0	2	Handle, Lower Part	Manico, Parte Inf	Mancheron, Partie Inferieure	Holm, Unterteil	
51	22400000/1	2	Knob	Manopolina	Poignée	Griff	
52	22321502/1	1	Lever, Height Adjustment	Leva Regolazione Altezza	Levier, Reglage Hauteur	Hebel, Höhenverstellung	
53	22321497/0	1	Lever, Height Adjustment	Leva Regolazione Altezza	Levier, Reglage Hauteur	Hebel, Höhenverstellung	
54	12609260/0	1	Ring	Anello Arresto	Anneau De Tennue	Ring	
55	22519510/0	1	Pin	Perno	Pivot	Bolzen	
56	81001410/0	1	Axle, Front Wheels	Asse Ruote Anteriori	Axe Roues Avant	Achse, Vorderrad	
57	22170950/0	1	R Spacer	Distanziale Dx	Entretoise D	Rechter Distanzring	
58	12523060/0	2	Washer	Rosetta	Rondelle	Scheibe	
59	12155000/0	2	Nut	Dado	Ecrou	Mutter	
60	12530150/0	2	Washer	Rosetta	Rondelle	Scheibe	
61	22519515/0	1	Pin	Perno	Pivot	Bolzen	
62	12521350/0	2	Elastic Washer	Rosetta Elastica	Rondelle Elastique	Elastische Scheibe	
68	12735402/0	4	Screw	Vite	Vis	Schraube	
69	22545154/0	2	Plate	Piastrina	Plaquette	Platte	
70	81000151/0	1	Axle, Rear Wheels	Asse Ruote Posteriori	Axe Roues Arriere	Achse, Hinterrad	
71	12530150/0	2	Elastic Washer	Rosetta Elastica	Rondelle Elastique	Elastische Scheibe	



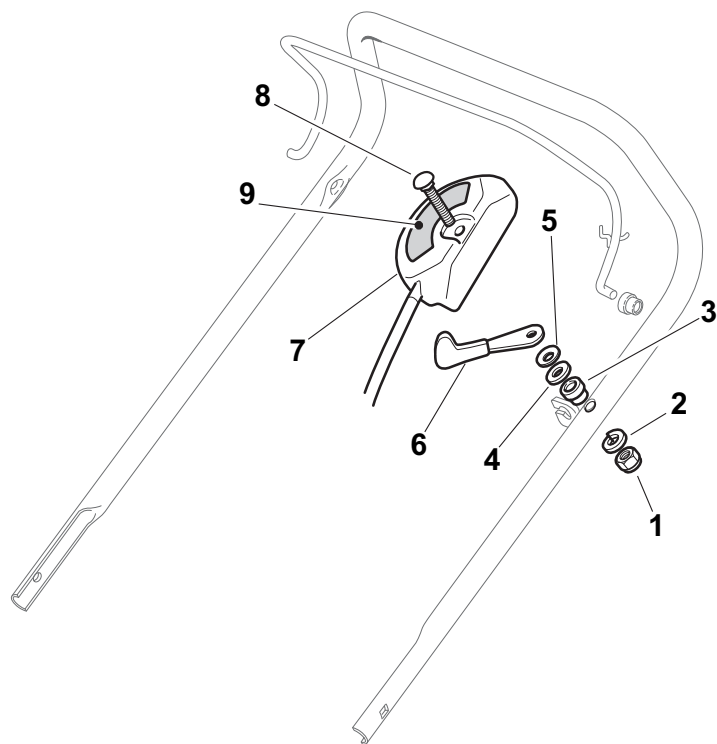
POS	PART. NO	Q.ty	DESCRIPTION	DESCRIZIONE	DESCRIPTION	BESCHREIBUNG	REMARKS
1	81006857/0	1	Handle, Upper Part	Manico, Parte Sup	Mancheron, Partie Superieure	Holm, Oberteil	
2	81000621/1	1	Cable, Thread Engine Brake	Cavo Freno Motore	Cable Frein Moteur	Kabel, Motorbremse	B&S450-500
2	81000633/0	1	Cable, Thread Engine Brake	Cavo Freno Motore	Cable Frein Moteur	Kabel, Motorbremse	B&S625-675
2	81000633/0	1	Cable, Thread Engine Brake	Cavo Freno Motore	Cable Frein Moteur	Kabel, Motorbremse	GGP
2	81000615/0	1	Cable, Thread Engine Brake	Cavo Freno Motore	Cable Frein Moteur	Kabel, Motorbremse	GGP150cc
2	81000639/0	1	Cable, Thread Engine Brake	Cavo Freno Motore	Cable Frein Moteur	Kabel, Motorbremse	Honda
3	81003291/3	1	Lever, Engine Brake	Leva Freno Motore	Levier Frein Moteur	Hebel, Motorbremse	
4	22041965/0	2	Bush	Bussola	Douille	Buchse	
6	22291050/0	1	Handgrip Black	Impugnatura Manico Nera	Poignée Noire	Handgriff Schwarz	
7	22041966/0	2	Bush	Bussola	Douille	Buchse	
8	81003288/1	1	Lever, Driving	Leva Trazione	Levier Traction	Hebel, Antrieb	
9	22430309/0	1	Guide Spring	Molla Guida	Ressort De Guide	Feder Führer	
10	12154330/0	1	Nut	Dado	Ecrou	Mutter	
11	81008609/0	1	Outfit, Dash-Board Screws	Dotazione Viteria Cruscotto	Dotation Visserie Console	Satz, Konsole Schrauben	



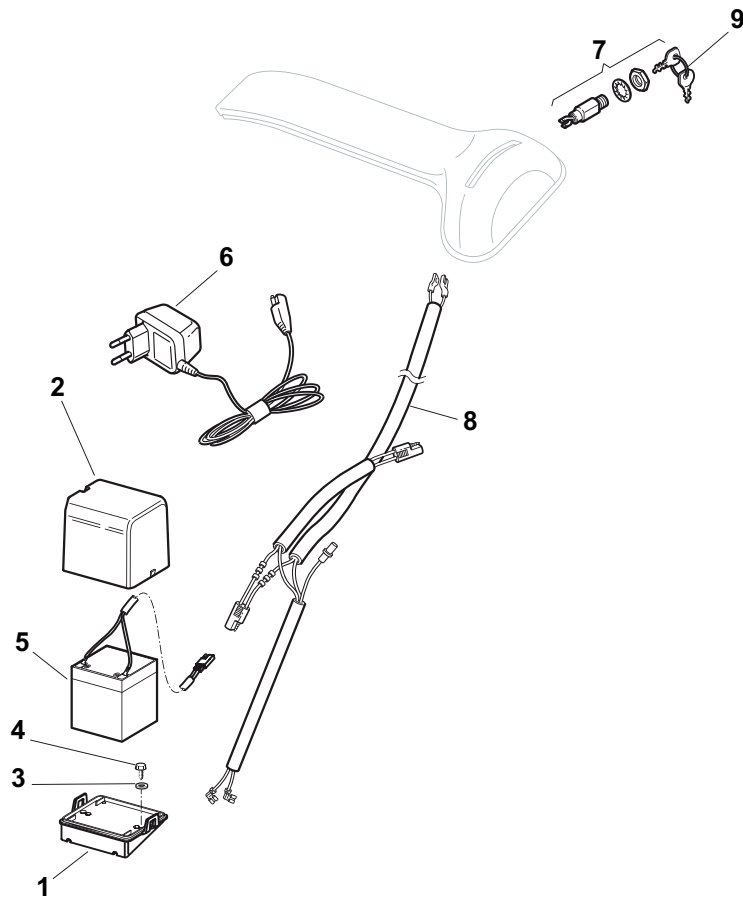
POS	PART. NO	Q.ty	DESCRIPTION	DESCRIZIONE	DESCRIPTION	BESCHREIBUNG	REMARKS
1	81006855/0	1	Handle, Upper Part	Manico, Parte Sup	Mancheron, Partie Superieure	Holm, Oberteil	
2	81000621/1	1	Cable, Thread Engine Brake	Cavo Freno Motore	Cable Frein Moteur	Kabel, Motorbremse	B&S450-500
2	81000639/0	1	Cable, Thread Engine Brake	Cavo Freno Motore	Cable Frein Moteur	Kabel, Motorbremse	Honda
2	81000615/0	1	Cable, Thread Engine Brake	Cavo Freno Motore	Cable Frein Moteur	Kabel, Motorbremse	GGP150cc
2	81000633/0	1	Cable, Thread Engine Brake	Cavo Freno Motore	Cable Frein Moteur	Kabel, Motorbremse	GGP/B&S625-675
3	81003291/3	1	Lever, Engine Brake	Leva Freno Motore	Levier Frein Moteur	Hebel, Motorbremse	
4	22041966/0	2	Bush	Bussola	Douille	Buchse	
6	22291050/0	1	Handgrip Black	Impugnatura Manico Nera	Poignée Noire	Handgriff Schwarz	
7	12728518/0	1	Screw	Vite	Vis	Schraube	
8	22806612/0	1	Support	Supporto	Support	Halter	
11	81007160/0	1	Throttle Cable	Cavo Acceleratore	Cable, Accelérateur	Gashebel Kabel	
12	81007280/2	1	Lever, Throttle	Leva, Acceleratore	Levier,	Hebel, Beshleuniger	B&S-GGP-Honda
12	81007221/0	1	Lever, Throttle	Leva, Acceleratore	Levier,	Hebel, Beshleuniger	B&S450-500/GGP150cc
13	12735105/0	2	Screw	Vite	Vis	Schraube	
14	22981467/0	1	Plate	Piastrina	Plaquette	Platte	
15	12791500/0	1	Screw	Vite	Vis	Schraube	
16	12530060/0	1	Elastic Washer	Rosetta Elastica	Rondelle Elastique	Elastische Scheibe	
18	12523040/0	2	Washer	Rosetta	Rondelle	Scheibe	
19	12154510/0	1	Nut	Dado	Ecrou	Mutter	
21	114356744/1	1	Label	Etichetta	Etiquette	Etikette	B&S
21	114356906/1	1	Label	Etichetta	Etiquette	Etikette	B&S DOV
21	114356743/1	1	Label	Etichetta	Etiquette	Etikette	GGP
21	114356743/1	1	Label	Etichetta	Etiquette	Etikette	Honda
21	114357646/1	1	Label	Etichetta	Etiquette	Etikette	Honda AC
22	22943006/0	1	Screw	Vite	Vis	Schraube	
23	12728460/0	1	Screw	Vite	Vis	Schraube	
25	81008609/0	1	Outfit, Dash-Board Screws	Dotazione Viteria Cruscotto	Dotation Visserie Console	Satz, Konsole Schrauben	
27	22430309/0	1	Guide Spring	Molla Guida	Ressort De Guide	Feder Führer	
28	12154330/0	1	Nut	Dado	Ecrou	Mutter	
31	22120172/0	1	Dash Board Black	Cruscotto Nero	Console Noire	Konsole Schwarze	
31	22120173/0	1	Dash Board Red	Cruscotto Rosso	Console Rouge	Konsole Rote	
31	22120174/0	1	Dash Board Yellow	Cruscotto Giallo	Console Jaune	Konsole Gelbe	



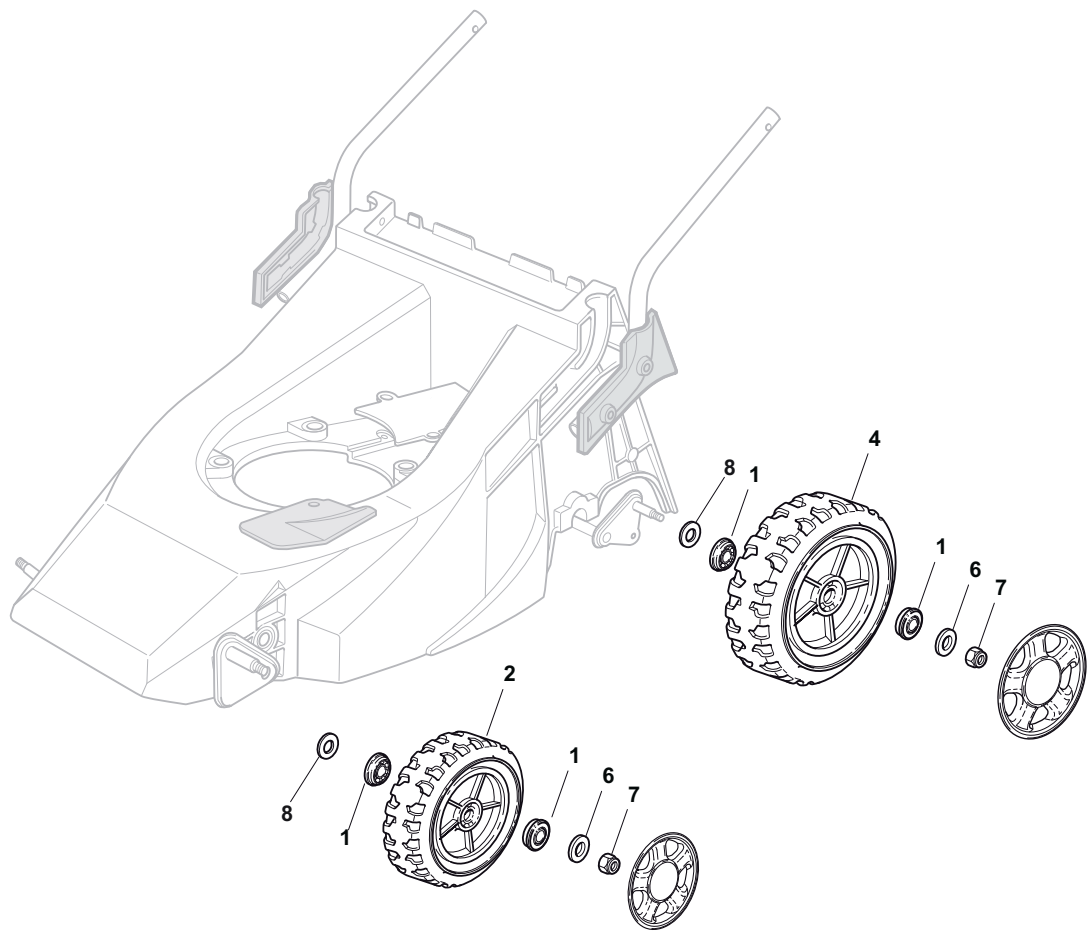
POS	PART. NO	Q.ty	DESCRIPTION	DESCRIZIONE	DESCRIPTION	BESCHREIBUNG	REMARKS
1	81006855/0	1	Handle, Upper Part	Manico, Parte Sup	Mancheron, Partie Superieure	Holm, Oberteil	
2	81000621/1	1	Cable, Thread Engine Brake	Cavo Freno Motore	Cable Frein Moteur	Kabel, Motorbremse	B&S450-500
2	81000639/0	1	Cable, Thread Engine Brake	Cavo Freno Motore	Cable Frein Moteur	Kabel, Motorbremse	Honda
2	81000615/0	1	Cable, Thread Engine Brake	Cavo Freno Motore	Cable Frein Moteur	Kabel, Motorbremse	GGP150cc
2	81000633/0	1	Cable, Thread Engine Brake	Cavo Freno Motore	Cable Frein Moteur	Kabel, Motorbremse	GGP/B&S625-675
3	81003291/3	1	Lever, Engine Brake	Leva Freno Motore	Levier Frein Moteur	Hebel, Motorbremse	
4	22041966/0	2	Bush	Bussola	Douille	Buchse	
6	22291050/0	1	Handgrip Black	Impugnatura Manico Nera	Poignée Noire	Handgriff Schwarz	
7	12728518/0	1	Screw	Vite	Vis	Schraube	
8	22806612/0	1	Support	Supporto	Support	Halter	
11	81007160/0	1	Throttle Cable	Cavo Acceleratore	Cable, Accelérateur	Gashebel Kabel	
12	81007280/2	1	Lever, Throttle	Leva, Acceleratore	Levier,	Hebel, Beshleuniger	B&S-GGP-Honda
12	81007221/0	1	Lever, Throttle	Leva, Acceleratore	Levier,	Hebel, Beshleuniger	B&S450-500/GGP150cc
13	12735105/0	2	Screw	Vite	Vis	Schraube	
14	22981467/0	1	Plate	Piastrina	Plaquette	Platte	
15	12791500/0	1	Screw	Vite	Vis	Schraube	
16	12530060/0	1	Elastic Washer	Rosetta Elastica	Rondelle Elastique	Elastische Scheibe	
18	12523040/0	2	Washer	Rosetta	Rondelle	Scheibe	
19	12154510/0	1	Nut	Dado	Ecrou	Mutter	
20	22120152/0	1	Dash Board Yellow	Cruscotto Giallo	Console Jaune	Konsole Gelbe	
20	22120154/0	1	Dash Board Red	Cruscotto Rosso	Console Rouge	Konsole Rote	
20	22120158/0	1	Dash Board Black	Cruscotto Nero	Console Noire	Konsole Schwarze	
21	114356744/1	1	Label	Etichetta	Etiquette	Etikette	B&S
21	114356906/1	1	Label	Etichetta	Etiquette	Etikette	B&S DOV
21	114356743/1	1	Label	Etichetta	Etiquette	Etikette	GGP
21	114356743/1	1	Label	Etichetta	Etiquette	Etikette	Honda
21	114357646/1	1	Label	Etichetta	Etiquette	Etikette	Honda AC
22	22943006/0	1	Screw	Vite	Vis	Schraube	
23	12728460/0	1	Screw	Vite	Vis	Schraube	
25	81008609/0	1	Outfit, Dash-Board Screws	Dotazione Viteria Cruscotto	Dotation Visserie Console	Satz, Konsole Schrauben	
27	22430309/0	1	Guide Spring	Molla Guida	Ressort De Guide	Feder Führer	
28	12154330/0	1	Nut	Dado	Ecrou	Mutter	



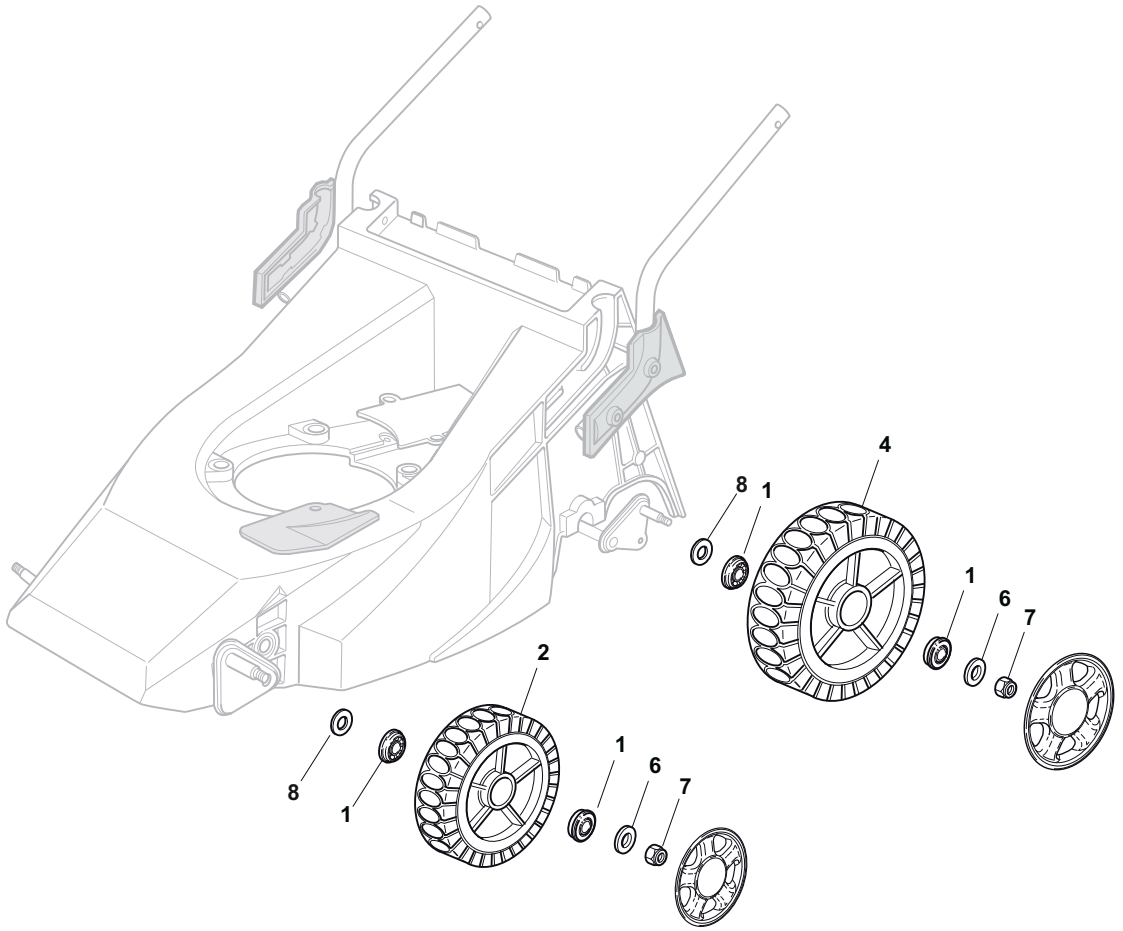
POS	PART. NO	Q.ty	DESCRIPTION	DESCRIZIONE	DESCRIPTION	BESCHREIBUNG	REMARKS
1	12291000/0	1	Nut	Dado	Ecrou	Mutter	
2	12581500/0	1	Grower	Grower	Grower	Federring	
3	22171005/0	1	Spacer	Distanziale	Entretoise	Distanzring	
4	12521360/0	1	Washer	Rosetta	Rondelle	Scheibe	
5	12508100/0	1	Spring Washer	Rosetta Elastica	Rondelle Elastique	Elastische Scheibe	
6	81007279/1	1	Lever, Throttle	Leva, Acceleratore	Levier, Accelérateur	Hebel, Beschleuniger	B&S-GGP-Honda
6	81007220/0	1	Lever, Throttle	Leva, Acceleratore	Levier, Accelérateur	Hebel, Beschleuniger	B&S450-500/GGP150cc
7	81007080/0	1	Throttle Cable	Cavo Acceleratore	Cable, Accelérateur	Gashebel Kabel	
8	12815000/0	1	Screw	Vite	Vis	Schraube	
9	14356703/0	1	Label	Etichetta	Etiquette	Etikette	B&S
9	14356702/0	1	Label	Etichetta	Etiquette	Etikette	GGP
9	14356905/0	1	Label	Etichetta	Etiquette	Etikette	Honda
9	114364264/0	1	Label	Etichetta	Etiquette	Etikette	Honda AC-B&S DOV



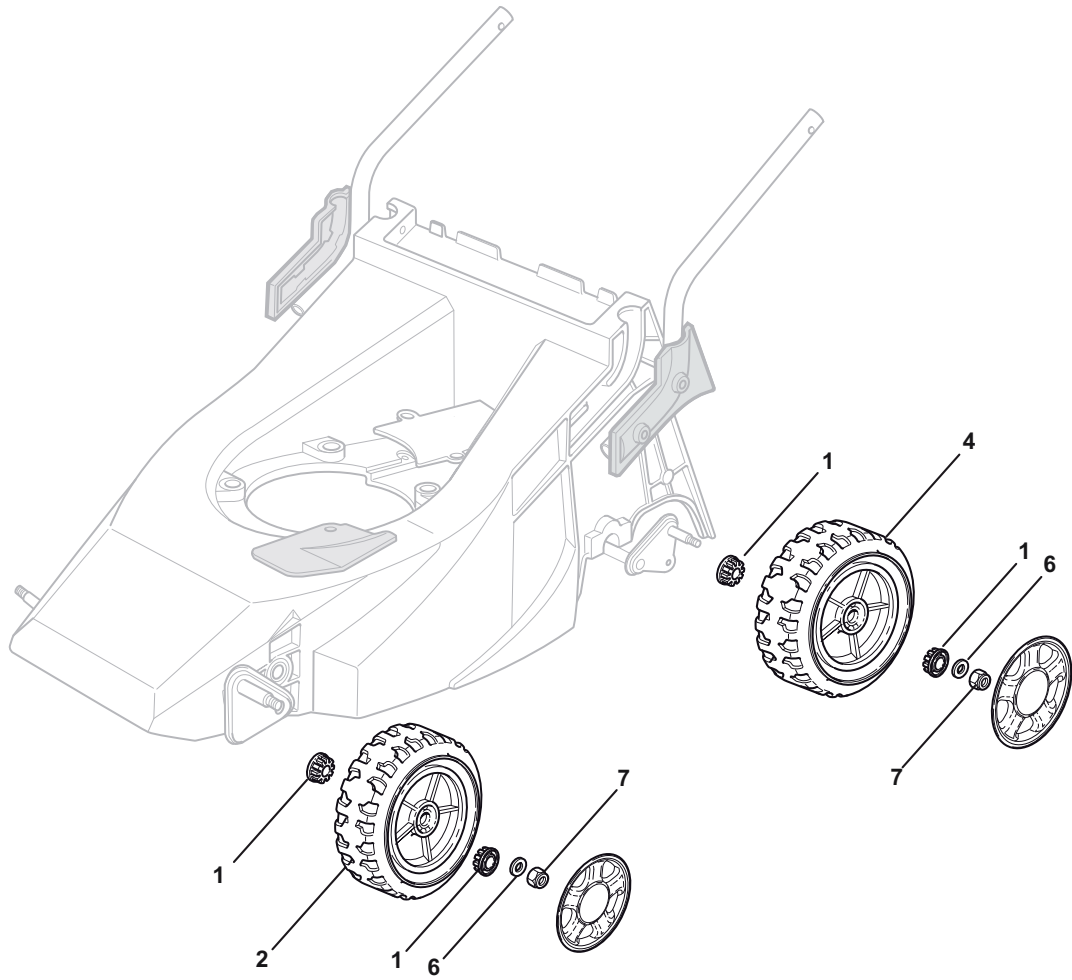
POS	PART. NO	Q.ty	DESCRIPTION	DESCRIZIONE	DESCRIPTION	BESCHREIBUNG	REMARKS
1	22785123/0	1	Support, Battery	Supporto Batteria	Support Batterie	Halter, Batterie	
2	22109530/0	1	Cover	Coperchio	Couvercle	Deckel	
3	12521310/0	2	Washer	Rosetta	Rondelle	Scheibe	
4	12731590/0	2	Screw	Vite	Vis	Schraube	
5	18120052/0	1	Battery	Batteria	Batterie	Batterie	
6	18204120/0	1	Battery Charger	Carica Batteria	Chargeur De	Ladgerät	CE
6	18204121/0	1	Battery Charger	Carica Batteria	Chargeur De	Ladgerät	UK
7	18450050/0	1	Switch	Interruttore	Interrupteur	Schalter	
8	118204192/3	1	Cable, Start	Cavo Avviamento	Cable Démarrage	Kabel, Start	B&S - GGP
8	18204198/0	1	Cable, Start	Cavo Avviamento	Cable Démarrage	Kabel, Start	Honda
9	18210016/1	1	Starting Key	Chiave Avviamento	Clef A Demarrage	Schlüssel Für Start	



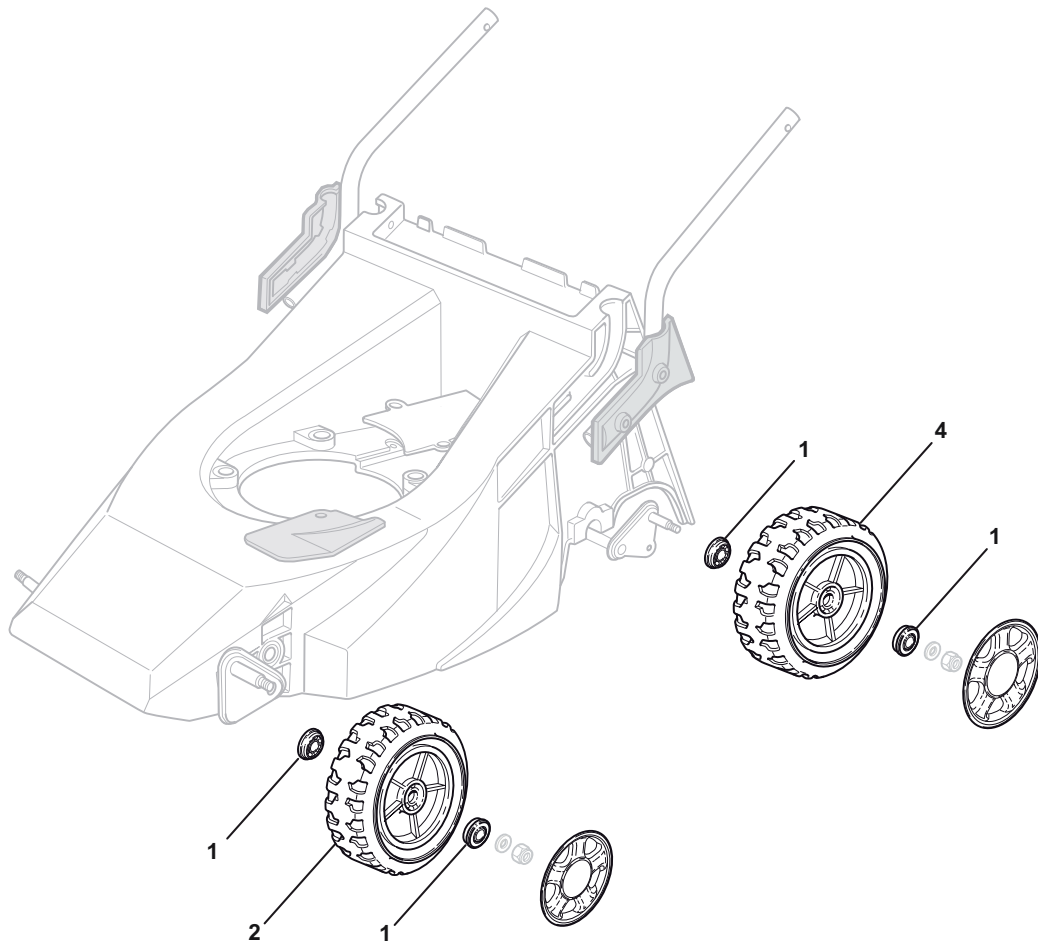
POS	PART. NO	Q.ty	DESCRIPTION	DESCRIZIONE	DESCRIPTION	BESCHREIBUNG	REMARKS
1	22122200/0	8	Bearing	Cuscinetto	Coussinet	Lager	
2	381007420/1	2	Wheel Ø 170	Ruota Ø 170	Roue Ø 170	Rad Ø 170	
4	381007390/1	2	Wheel Ø 210	Ruota Ø 210	Roue Ø 210	Rad Ø 210	
6	12523060/0	4	Washer	Rosetta	Rondelle	Scheibe	
7	12155000/0	4	Nut	Dado	Ecrou	Mutter	
8	12530150/0	4	Elastic Washer	Rosetta Elastica	Rondelle Elastique	Elastische Scheibe	



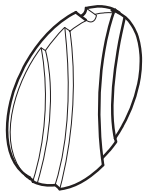
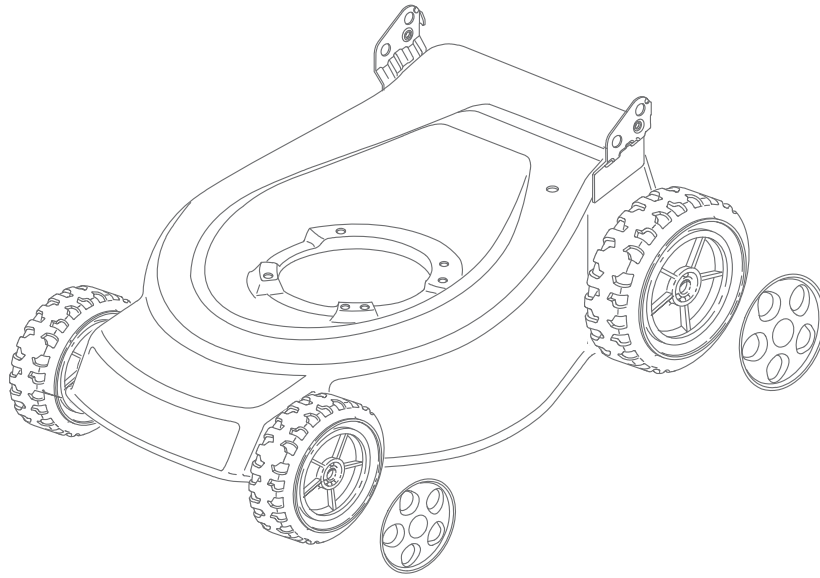
POS	PART. NO	Q.ty	DESCRIPTION	DESCRIZIONE	DESCRIPTION	BESCHREIBUNG	REMARKS
1	22122200/0	8	Bearing	Cuscinetto	Coussinet	Lager	
2	81007336/0	2	Wheel, Knobbly Ø 170	Ruota Scolpita Ø 170	Roue Sculptee Ø 170	Rad Stollenpr. Ø 170	
4	81007337/0	2	Wheel, Knobbly Ø 210	Ruota Scolpita Ø 210	Roue Sculptee Ø 210	Rad Stollenpr. Ø 210	
6	12521350/0	4	Washer	Rosetta	Rondelle	Scheibe	
7	12155000/0	4	Nut	Dado	Ecrou	Mutter	
8	12530150/0	4	Elastic Washer	Rosetta Elastica	Rondelle Elastique	Elastische Scheibe	



POS	PART. NO	Q.ty	DESCRIPTION	DESCRIZIONE	DESCRIPTION	BESCHREIBUNG	REMARKS
1	22034508/0	8	Bush	Bussola	Douille	Buchse	
2	81007351/0	2	Wheel Ø 170	Ruota Stiga Ø 170	Roue Ø 170	Rad Ø 170	
4	181007343/0	2	Wheel Ø 210	Ruota Stiga Ø 210	Roue Ø 210	Rad Ø 210	
6	12523060/0	4	Washer	Rosetta	Rondelle	Scheibe	
7	12155000/0	4	Nut	Dado	Ecrou	Mutter	



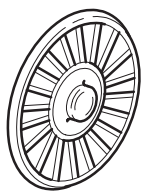
POS	PART. NO	Q.ty	DESCRIPTION	DESCRIZIONE	DESCRIPTION	BESCHREIBUNG	REMARKS
1	22122200/0	8	Bearing	Cuscinetto	Coussinet	Lager	
2	81007351/0	2	Wheel Ø 170	Ruota Stiga Ø 170	Roue Ø 170	Rad Ø 170	
4	181007343/0	2	Wheel Ø 210	Ruota Stiga Ø 210	Roue Ø 210	Rad Ø 210	



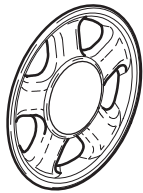
1



2



3



4



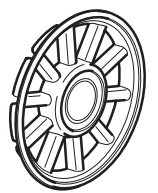
5



6

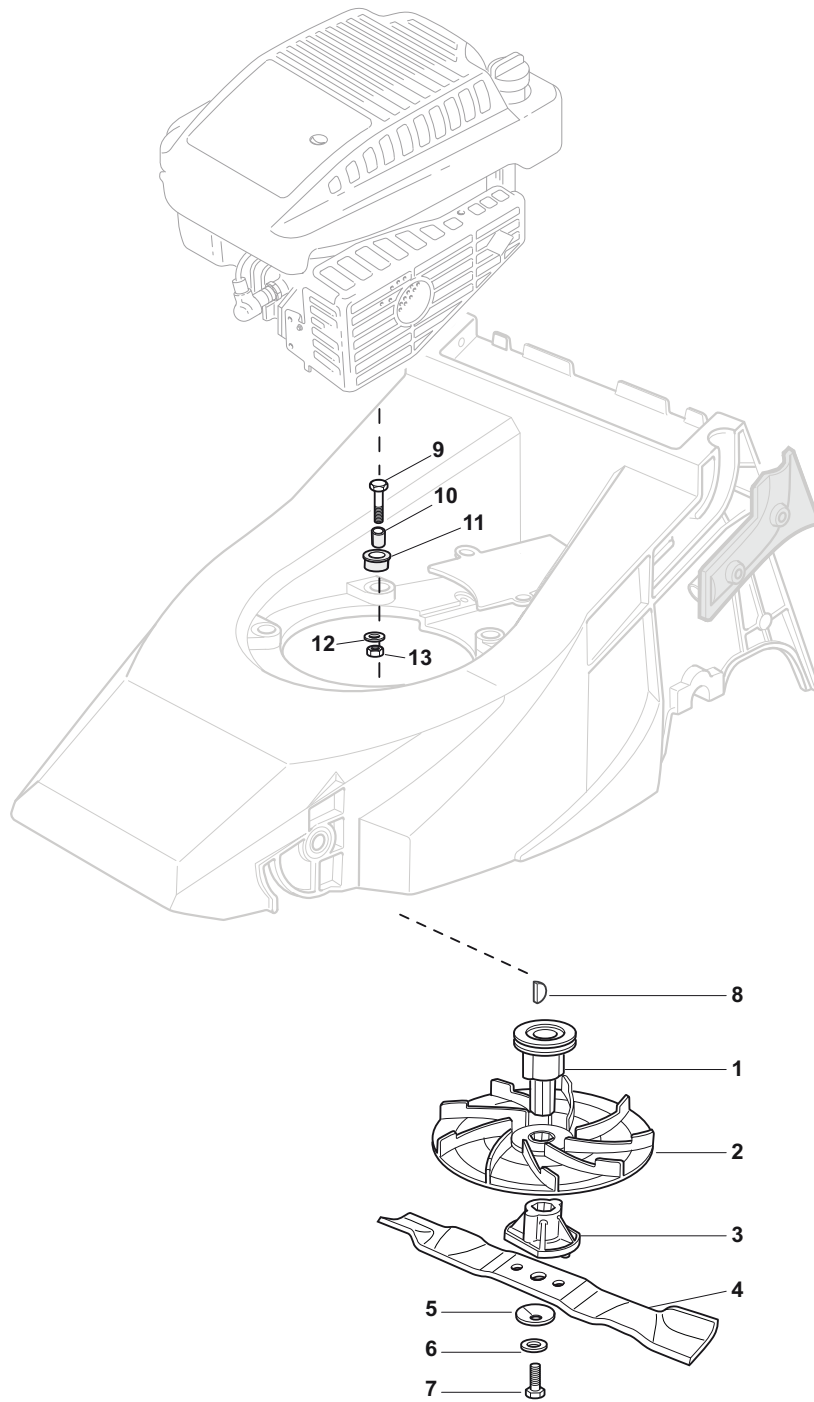


7

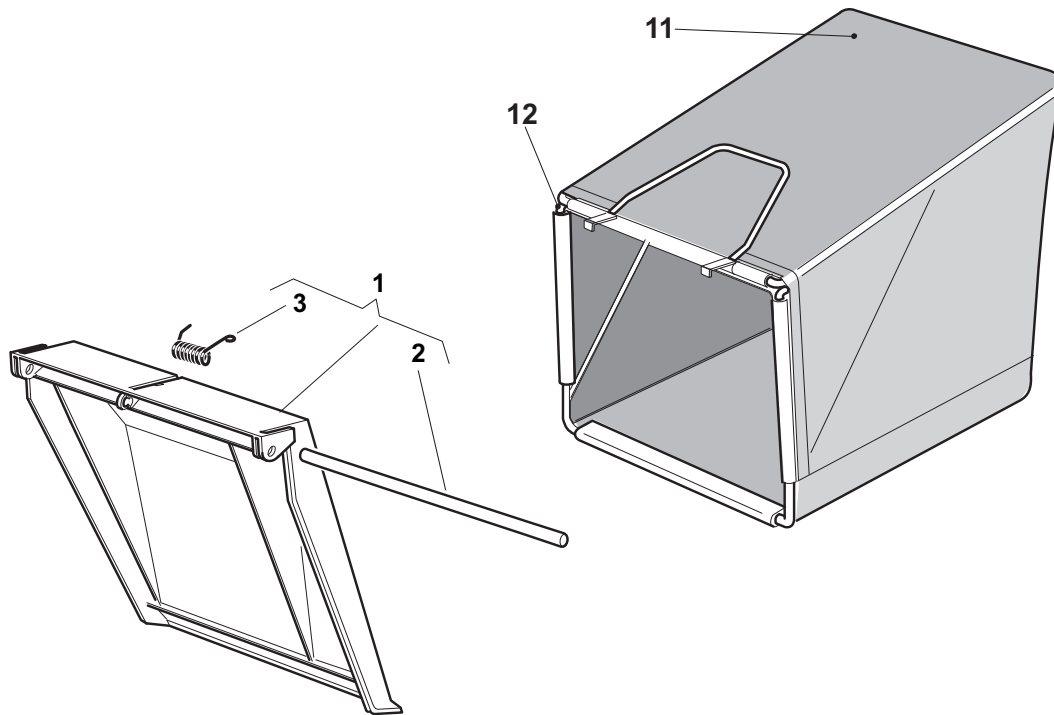


8

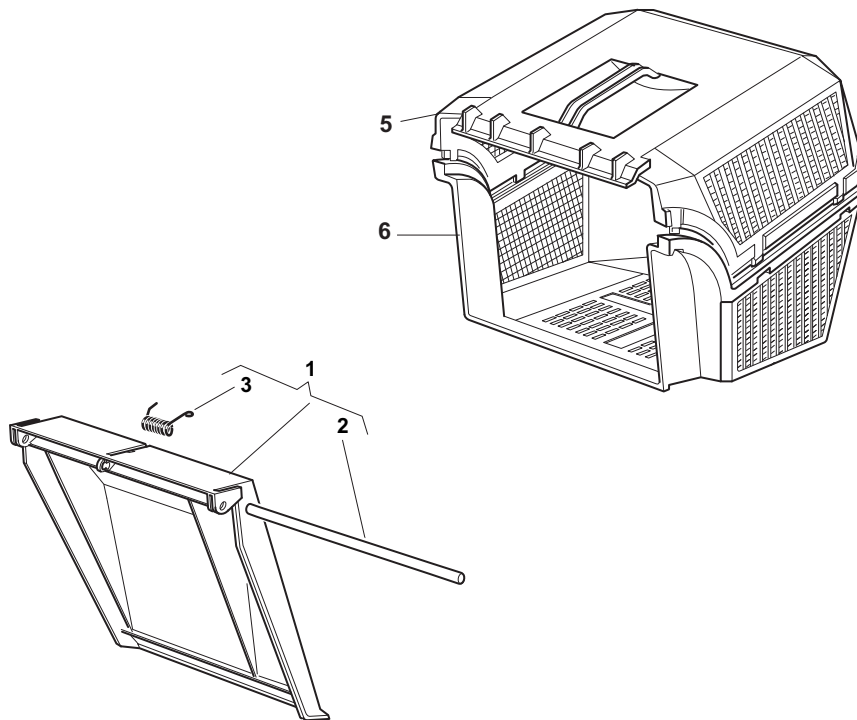
POS	PART. NO	Q.ty	DESCRIPTION	DESCRIZIONE	DESCRIPTION	BESCHREIBUNG	REMARKS
1	22110252/1	4	Hub Cap White	Coprimito Bianco	Couvre-Moyeu Blanc	Radkappe Weiße	
1	22110254/0	4	Hub Cap Yellow	Coprimito Giallo	Couvre-Moyeu Jaune	Radkappe Gelbe	
1	22110255/1	4	Hub Cap Red	Coprimito Rosso	Couvre-Moyeu Rouge	Radkappe Rot	
2	22110344/0	4	Hub Cap White	Coprimito Bianco	Couvre-Moyeu Blanc	Radkappe Weiße	
2	22110395/0	4	Hub Cap Grey	Coprimito Grigio	Couvre-Moyeu Gris	Radkappe Grau	
3	22110347/0	4	Hub Cap Grey	Coprimito Grigio	Couvre-Moyeu Gris	Radkappe Grau	
4	22110381/0	4	Hub Cap Grey	Coprimito Grigio	Couvre-Moyeu Gris	Radkappe Grau	
5	22110416/0	4	Hub Cap Grey	Coprimito Grigio	Couvre-Moyeu Gris	Radkappe Grau	
6	22110491/0	4	Hub Cap Grey	Coprimito Grigio	Couvre-Moyeu Gris	Radkappe Grau	
7	22110493/0	4	Hub Cap Grey	Coprimito Grigio	Couvre-Moyeu Gris	Radkappe Grau	
8	22110495/0	4	Hub Cap Grey	Coprimito Grigio	Couvre-Moyeu Gris	Radkappe Grau	



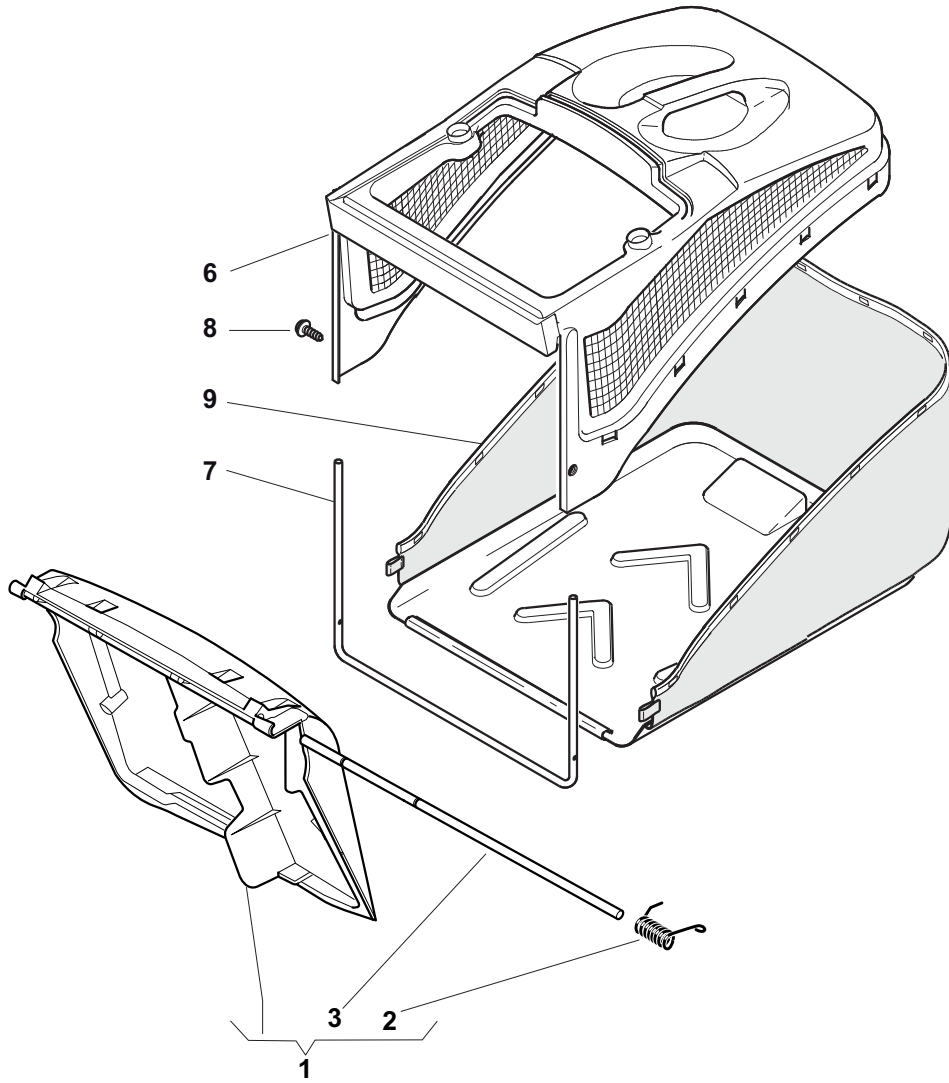
POS	PART. NO	Q.ty	DESCRIPTION	DESCRIZIONE	DESCRIPTION	BESCHREIBUNG	REMARKS
1	22465605/0	1	Hub Fan, Crankshaft Ø 22.2	Mozzo Girante, Albero Motore Ø 22.2	Moyeu Ventilateur, Arbre Moteur Ø 22.2	Läufendenabe, Motorwelle Ø 22.2	GGP/B&S
1	122465606/1	1	Hub Fan, Crankshaft Ø 25	Mozzo Girante, Albero Motore Ø 25	Moyeu Ventilateur, Arbre Moteur Ø 25	Läufendenabe, Motorwelle Ø 25	Honda
2	22245080/0	1	Fan	Girante	Ventilateur	Lüfter	
3	22465604/0	1	Hub	Mozzo	Moyeu	Halter	
4	81004346/3	1	Blade Standard	Coltello Standard	Lame Standard	Messer Standard	
4	81004397/0	1	Blade Winged	Coltello Alettato	Lame Ailettée	Messer Flügel	
5	22160400/0	1	Elastic Washer	Disco Elastico	Rondelle Elastique	Elastischescheibe	
6	12523080/0	1	Washer	Rosetta	Rondelle	Scheibe	
7	12736820/0	1	Screw	Vite	Vis	Schraube	
8	12139100/0	1	Feather, Crankshaft Ø 22.2	Linguetta, Albero Motore Ø 22.2	Clavette, Arbre Moteur Ø 22.2	Keil, Motorwelle Ø 22.2	GGP/B&S
8	12139150/0	1	Feather, Crankshaft Ø 25	Linguetta, Albero Motore Ø 25	Clavette, Arbre Moteur Ø 25	Keil, Motorwelle Ø 25	Honda
9	12691800/0	3	Screw	Vite	Vis	Schraube	GGP/B&S
9	12691900/0	3	Screw	Vite	Vis	Schraube	Honda
10	22167840/0	3	Spacer	Distanziale	Entretoise	Distanzring	
11	22040265/0	3	Bush	Bussola	Douille	Buchse	
12	12523070/0	3	Washer	Rosetta	Rondelle	Scheibe	
13	12155000/0	3	Nut	Dado	Ecrou	Mutter	



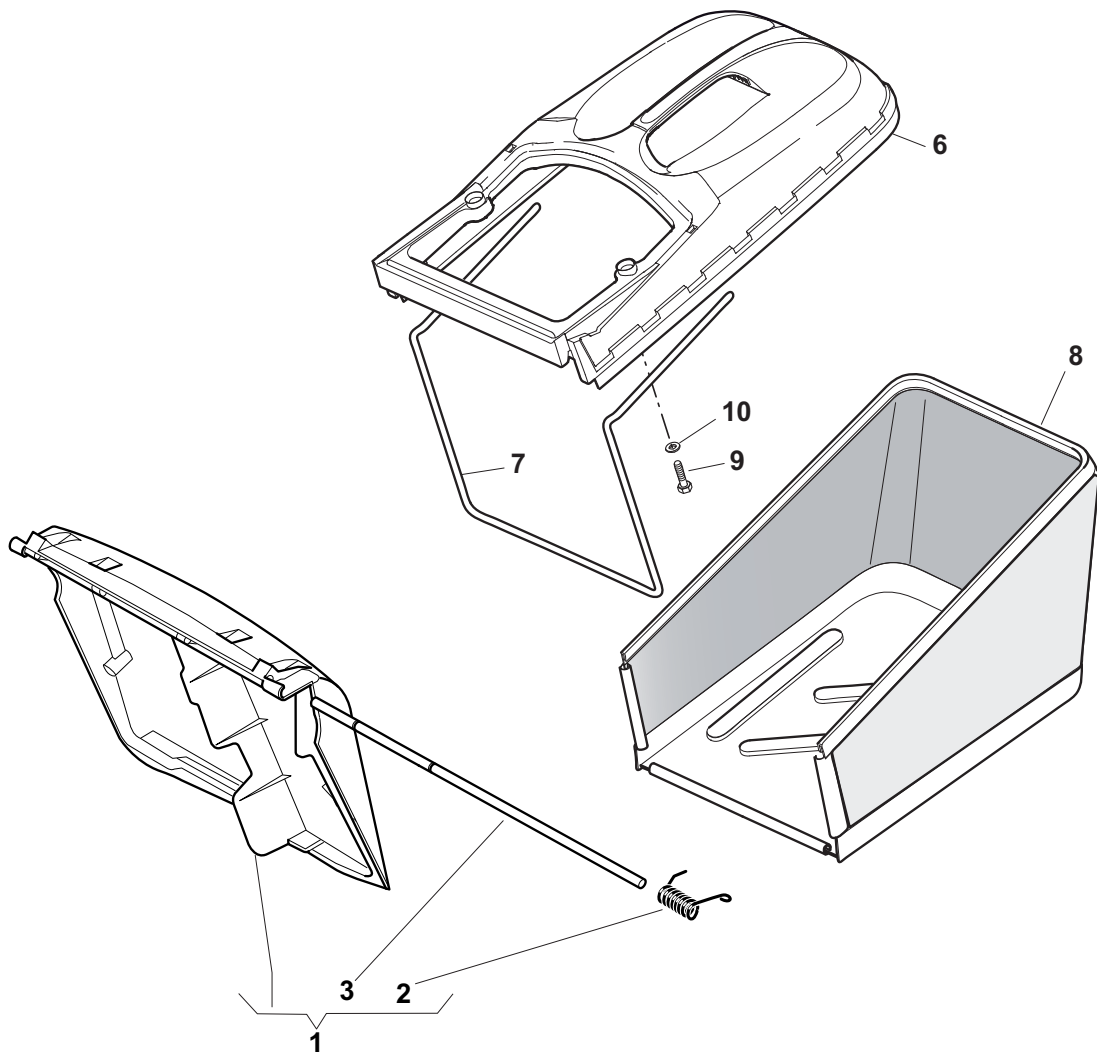
POS	PART. NO	Q.ty	DESCRIPTION	DESCRIZIONE	DESCRIPTION	BESCHREIBUNG	REMARKS
1	381008041/0	1	Stone-Guard	Parasassi	Pare-Pierres	Prallblech	
2	22517907/0	1	Pin	Perno	Pivot	Bolzen	
3	22450270/0	1	Spring	Molla	Ressort	Feder	
11	81002124/1	1	Box, Fabric	Sacco, Tela	Sac, Toile	Sack, Tuck	
12	81006430/0	1	Chassis Box	Telaio Sacco	Châssis Bac	Rahmen Sack	



POS	PART. NO	Q.ty	DESCRIPTION	DESCRIZIONE	DESCRIPTION	BESCHREIBUNG	REMARKS
1	381008041/0	1	Stone-Guard	Parasassi	Pare-Pierres	Prallblech	
2	22517907/0	1	Pin	Perno	Pivot	Bolzen	
3	22450270/0	1	Spring	Molla	Ressort	Feder	
5	22486065/0	1	Grass-Box, Upper	Sacco, Parte Sup	Sac, Partie Superieure	Korb, Oberteil	
6	22486064/0	1	Grass-Box, Lower	Sacco, Parte Inf	Sac, Partie Inferieure	Korb, Unterteil	



POS	PART. NO	Q.ty	DESCRIPTION	DESCRIZIONE	DESCRIPTION	BESCHREIBUNG	REMARKS
1	381008042/0	1	Stone-Guard	Parasassi	Pare-Pierres	Prallblech	
2	22451000/0	1	Spring	Molla	Ressort	Feder	
3	22517907/0	1	Pin	Perno	Pivot	Bolzen	
6	22486094/0	1	Grass-Box, Upper	Sacco, Parte Sup	Sac, Partie	Korb, Oberteil	
7	22608524/0	1	Stiffening Lower	Rinforzo Inf	Réinforcement Inf	Verstärkung	
8	12728445/0	2	Screw	Vite	Vis	Schraube	
9	81002196/0	1	Box, Fabric	Sacco, Tela	Sac, Toile	Sack, Tuck	



POS	PART. NO	Q.ty	DESCRIPTION	DESCRIZIONE	DESCRIPTION	BESCHREIBUNG	REMARKS
1	22600066/2	1	Stone-Guard	Parasassi	Pare-Pierres	Prallblech	
2	22451000/0	1	Spring	Molla	Ressort	Feder	
3	22517857/0	1	Pin	Perno	Pivot	Bolzen	
6	22486102/0	1	Grass-Box, Upper	Sacco, Parte Sup	Sac, Partie	Korb, Oberteil	
7	22608526/0	1	Stiffening Lower	Rinforzo Inf	Réinforcement Inf	Verstärkung	
8	81002212/0	1	Box, Fabric	Sacco, Tela	Sac, Toile	Sack, Tuck	
9	12728680/0	2	Screw	Vite	Vis	Schraube	
10	12523050/0	2	Washer	Rosetta	Rondelle	Scheibe	