

Genuine Spare Parts

DML 554 W TR - DML 554 W TR/E

Catalogo delle parti di ricambio
Spare parts catalogue
Catalogue des pieces de rechange
Ersatzteilkatalog

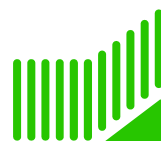
2011

- Use GLOBAL GARDEN PRODUCT Genuine Spare Parts specified in the parts list for repair and/or replacement.
- The contents described in the parts list may change due to improvement.
- The drawings of the spare parts are only indicative and might not represent the part in question exactly.
- The indications "right" - "left" - "front" - "rear" refer to the position of the operator when using the machine.
- When placing orders of parts for repair and/or replacement, make sure that the illustrated parts list is the one applying to the machine's year of manufacture, as shown on the identification plate attached to the machine.

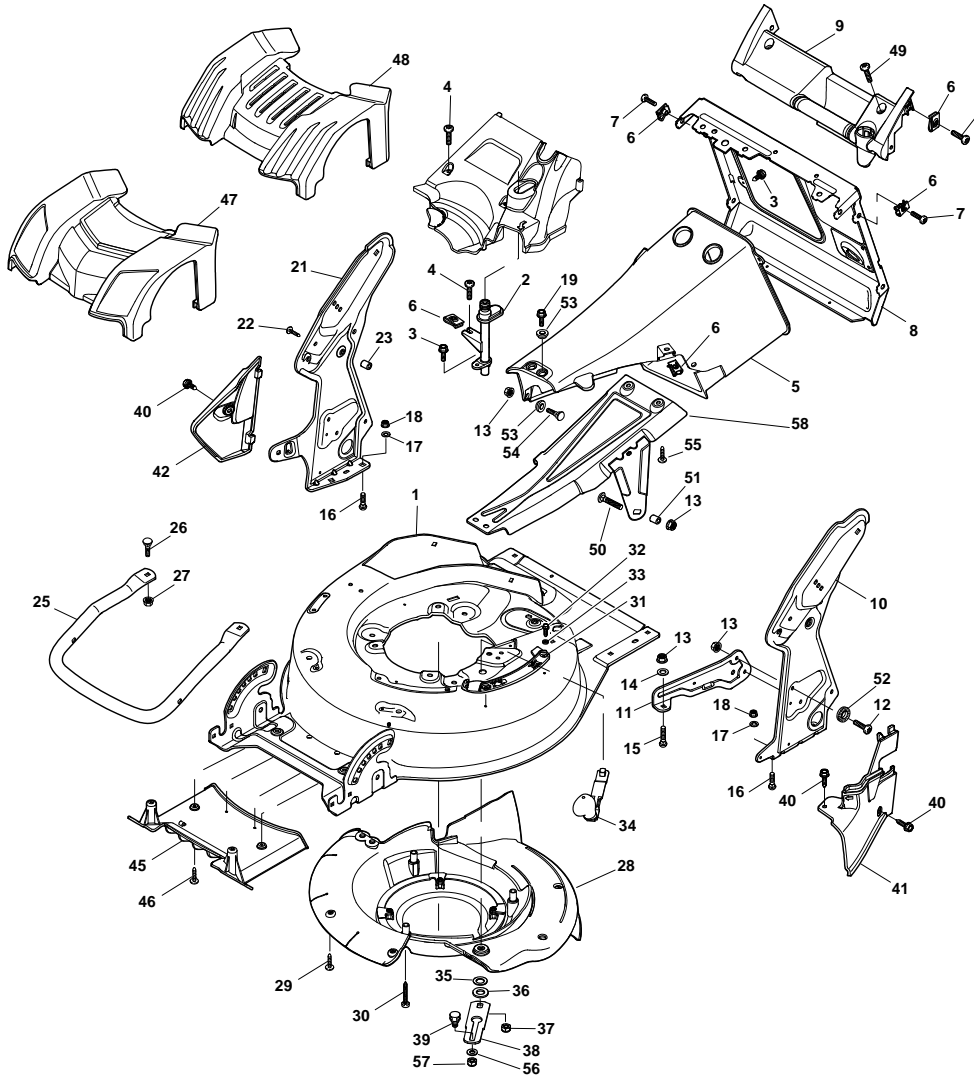
© Copyright 2011 Global Garden Products

All content is subject to copyright by Global Garden Products and may not be reproduced in whole or in part by any means, electronic or otherwise, without prior written approval.

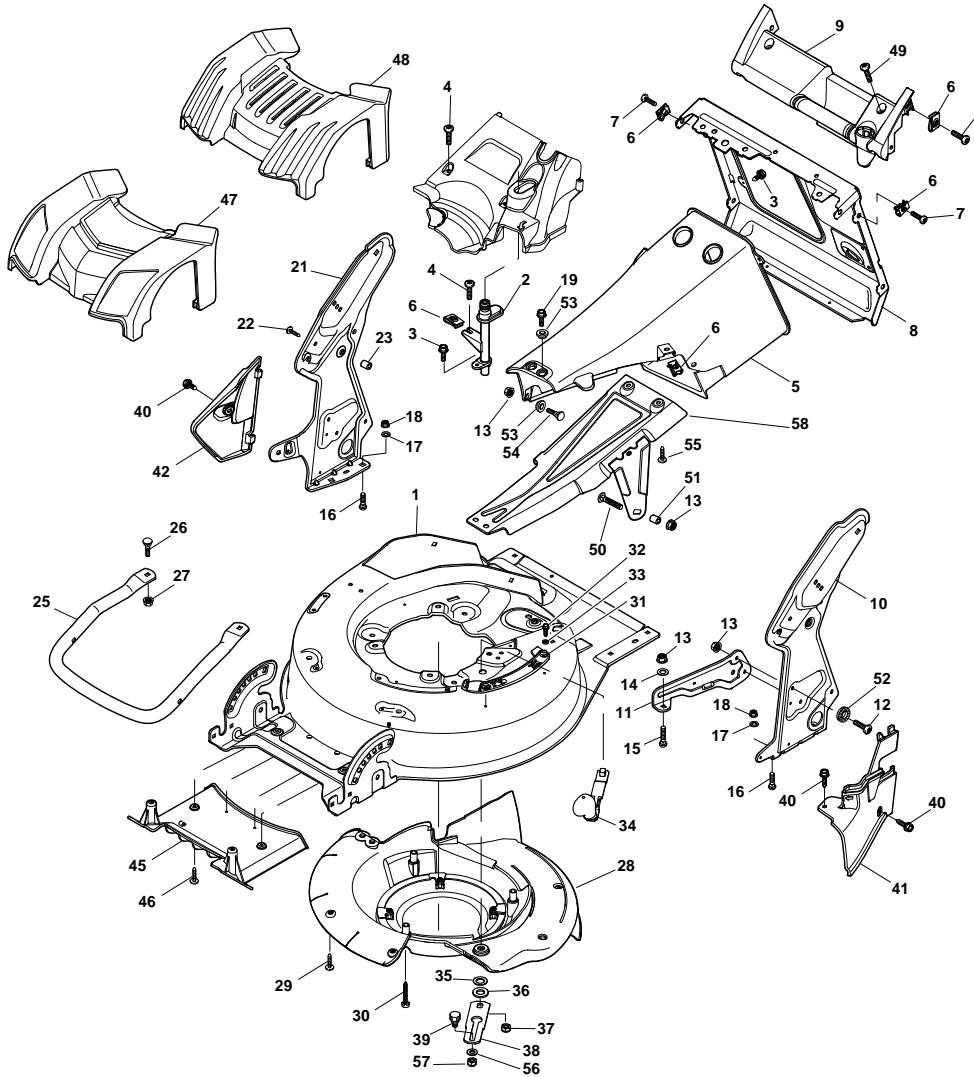
THIS INFORMATION IS NOT INTENDED FOR SALE OR RESALE, AND THIS NOTICE MUST REMAIN ON ALL COPIES.



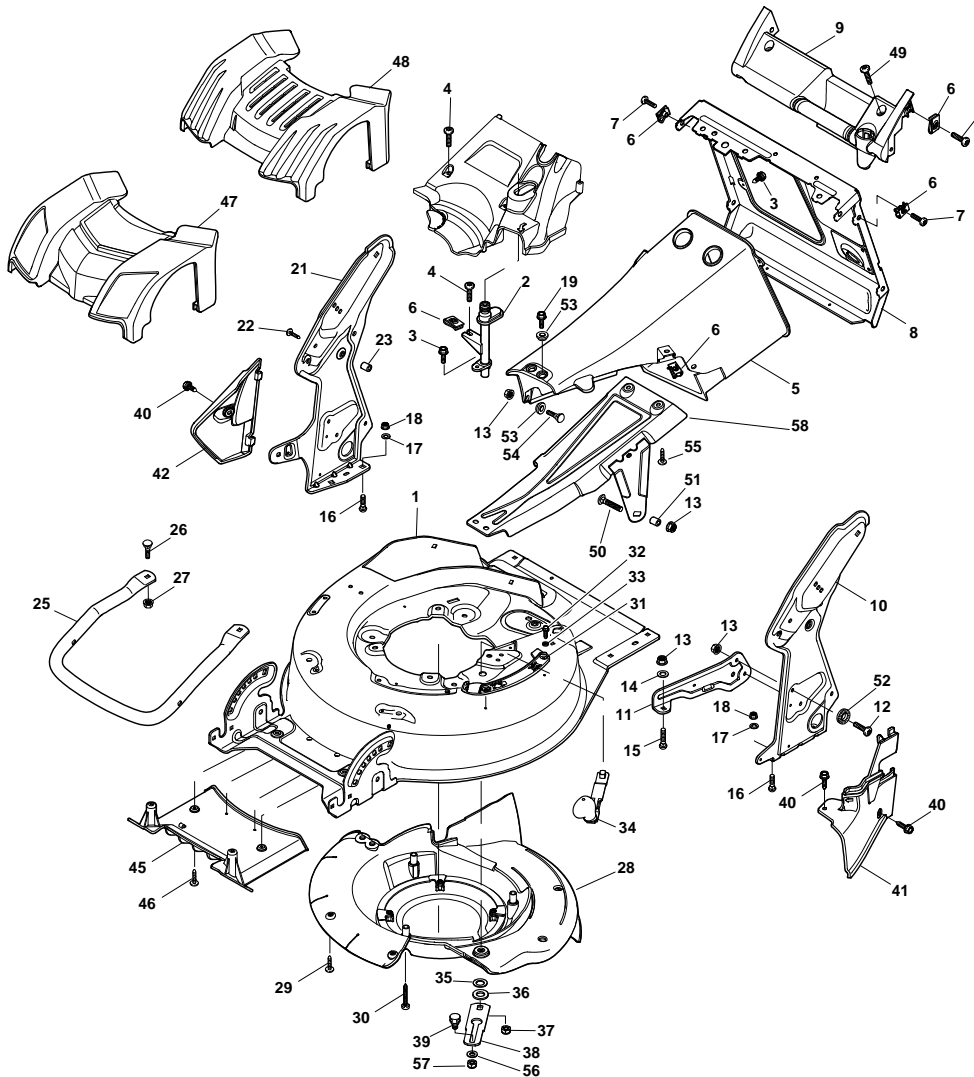
GLOBAL GARDEN PRODUCTS



N.	CODE	Q.TY	DESCRIZIONE	DESCRIPTION	DESCRIPTION	BESCHREIBUNG	REMARK
1	381003875/0	1	Chassis Giallo	Deck Yellow	Châssis Jaune	Gehäuse Gelb	
1	381003876/0	1	Chassis Grigio	Deck Grey	Châssis Gris	Gehäuse Grau	
1	381003944/0	1	Chassis INOX	Deck INOX	Châssis INOX	Gehäuse INOX	
2	322034001/1	1	Attacco Acqua Lavaggio	Washing Connection	Attaque Lavage	Waschenverbindung	
3	125943004/0	5	Vite	Screw	Vis	Schraube	
4	112727802/0	2	Vite	Screw	Vis	Schraube	
5	322108292/0	1	Convogliatore Rosso	Conveyor Red	Convoyeur Rouge	Leitblechsatz Rot	
5	322108294/0	1	Convogliatore Giallo	Conveyor Yellow	Convoyeur Jaune	Leitblechsatz Gelb	
6	112437507/0	12	Piastrina	Plate	Plaquette	Plättchen	
7	112727802/0	8	Vite	Screw	Vis	Schraube	
8	381545321/1	1	Piastra Posteriore	Rear Plate	Plaque Arriere	Hintere Platte	
8	381545323/1	1	Piastra Posteriore	Rear Plate	Plaque Arriere	Hintere Platte	only TR-E
9	322785282/0	1	Supporto	Support	Support	Halter	
10	381545333/0	1	Staffa Sx	Bracket, L	Bride G	Pratze, Linke	
11	322545191/0	1	Supporto	Support	Support	Halter	
12	112727803/0	2	Vite	Screw	Vis	Schraube	
13	12154510/0	4	Dado	Nut	Ecrou	Mutter	
14	12521330/0	1	Rosetta	Washer	Rondelle	Scheibe	
15	12815200/0	1	Vite	Screw	Vis	Schraube	
16	12818690/0	4	Vite	Screw	Vis	Schraube	
17	12521350/0	4	Rosetta	Washer	Rondelle	Scheibe	
18	12155000/0	4	Dado	Nut	Ecrou	Mutter	
19	12729601/1	2	Vite	Screw	Vis	Schraube	
21	381545331/0	1	Staffa Dx	Bracket, R	Bride D	Pratze, Rechte	
22	112735662/1	2	Vite	Screw	Vis	Schraube	
23	122534128/0	2	Piolo	Pin	Bondon	Dübel	
25	381393702/0	2	Protezione	Protection	Protection	Schutz	

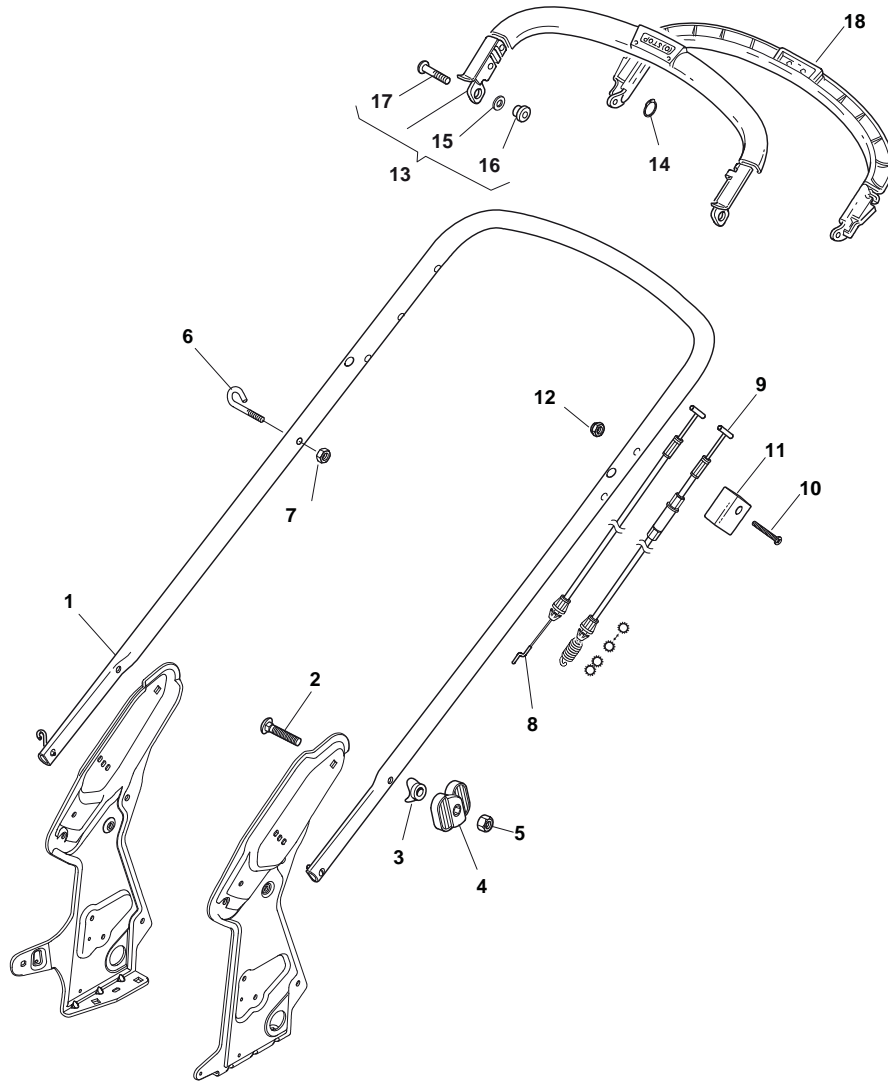


N.	CODE	Q.TY	DESCRIZIONE	DESCRIPTION	DESCRIPTION	BESCHREIBUNG	REMARK
26	12815205/0	2	Vite	Screw	Vis	Schraube	
27	12154510/0	2	Dado	Nut	Ecrou	Mutter	
28	381102203/0	1	Carter Mulching	Protection Mulching	Protection Mulching	Schutz Mulching	
29	125943004/0	2	Vite	Screw	Vis	Schraube	
30	112735115/0	3	Vite	Screw	Vis	Schraube	
31	322500052/2	1	Pattino	Shoe	Bloc De Glissement	Gleitblock	
32	12731580/0	2	Vite	Screw	Vis	Schraube	
33	12521331/0	2	Rosetta	Washer	Rondelle	Scheibe	
34	381003338/0	1	Leva Comando	Lever	Levier	Hebel	
35	21660100/0	1	Rosetta	Washer	Rondelle	Scheibe	
36	12521370/0	1	Rondella	Washer	Rondelle	Scheibe	
37	12154210/0	1	Dado	Nut	Ecrou	Mutter	
38	322320009/0	1	Leva	Lever	Levier	Hebel	
39	122042022/0	1	Bussola	Bush	Douille	Buchse	
40	125943004/0	3	Vite	Screw	Vis	Schraube	
41	322109830/0	1	Carter Nero	Guard Black	Carter Noire	Blech Schwarz	
42	322109825/0	1	Carter Nero	Guard Black	Carter Noire	Blech Schwarz	
45	322500101/0	1	Griglia Aspirazione	Air Intake Grill	Grille D'Aspiration	Ansauggitter	
46	112728706/0	2	Vite	Screw	Vis	Schraube	
46	12728703/0	4	Vite	Screw	Vis	Schraube	
47	322226139/0	1	Mascherina, Rosso	Mask, Red	Mesque, Rouge	Maske, Rot	
48	322226140/0	1	Mascherina, Giallo	Mask, Yellow	Mesque, Jaune	Maske, Gelb	
48	322226141/0	1	Mascherina, Grigio	Mask, Grey	Mesque, Gris	Maske, Grau	
49	112727801/0	2	Vite	Screw	Vis	Schraube	
50	112815270/0	2	Vite	Screw	Vis	Schraube	
51	122671664/0	2	Distanziale	Spacer	Entretoise	Distanzring	
52	12540040/0	2	Rosetta	Washer	Rondelle	Scheibe	

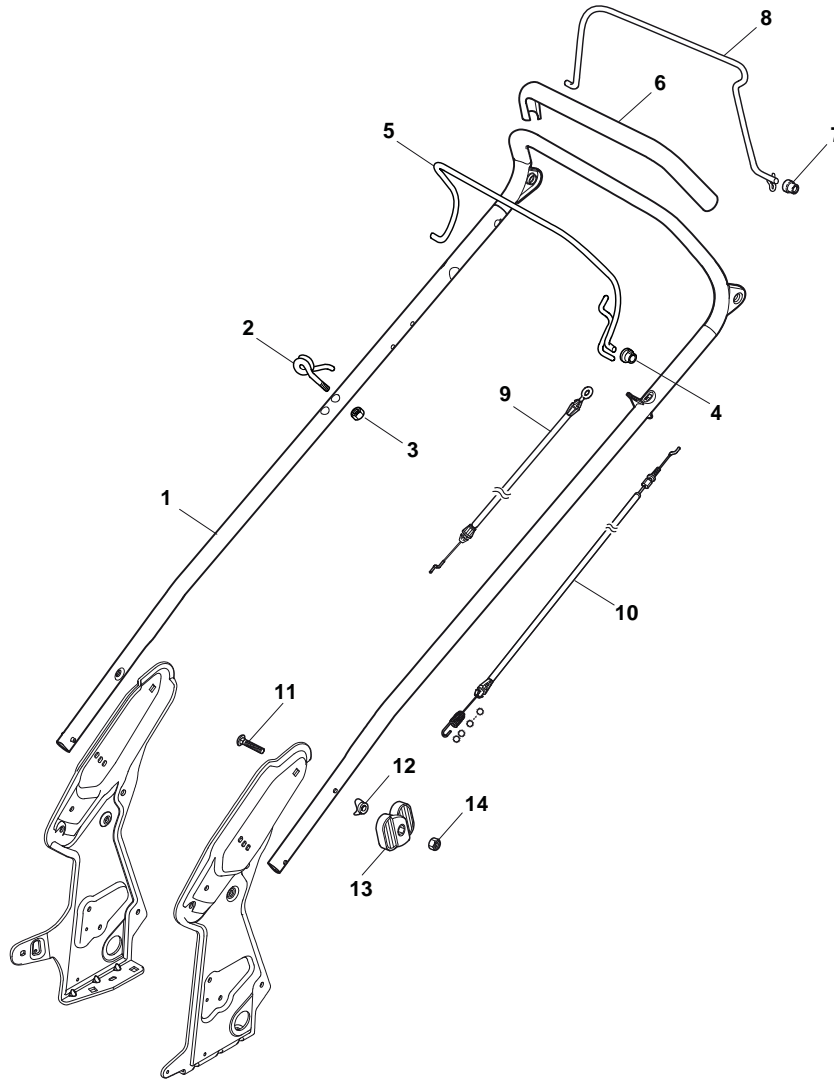


N. CODE	Q.TY	DESCRIZIONE	DESCRIPTION	DESCRIPTION	BESCHREIBUNG	REMARK	
53	325160039/0	6	Distanziale	Spacer	Entretoise	Distanzring	
54	112794986/0	1	Vite	Screw	Vis	Schraube	
55	112727799/0	2	Vite	Screw	Vis	Schraube	
56	12521350/0	1	Rosetta	Washer	Rondelle	Scheibe	
57	12155000/0	1	Dado	Nut	Ecrou	Mutter	
58	381608501/0	1	Rinforzo Inf	Stiffening Lower	Réforcement Inf	Verstärkung	

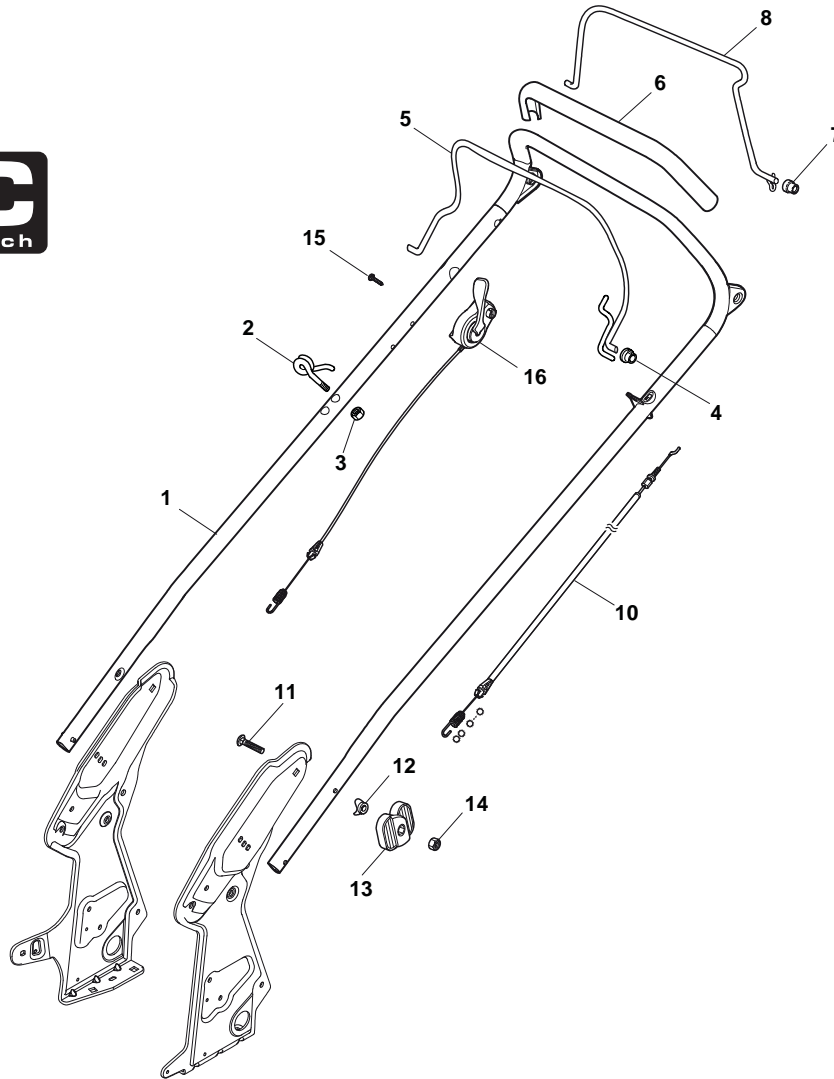
DML 554 W TR - DML 554 W TR/E



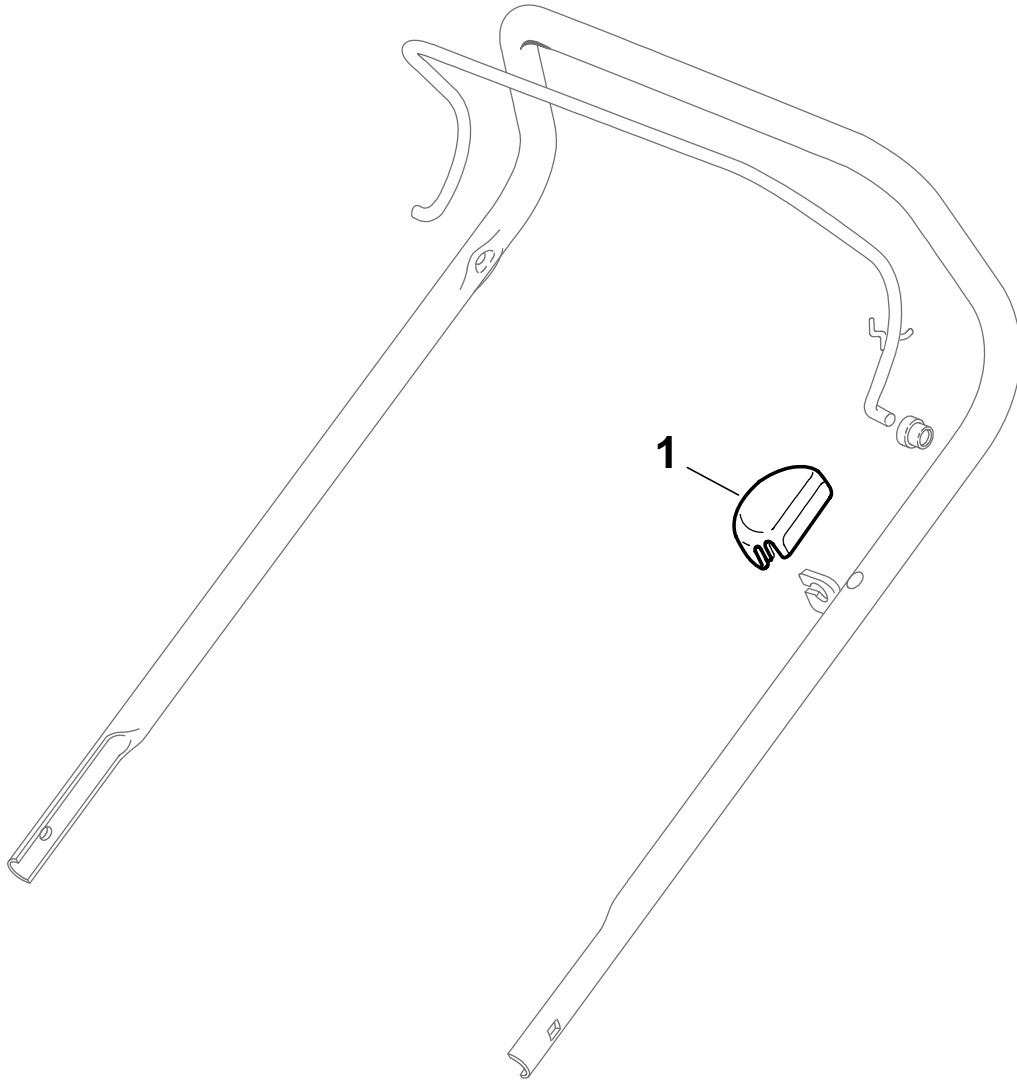
N.	CODE	Q.TY	DESCRIZIONE	DESCRIPTION	DESCRIPTION	BESCHREIBUNG	REMARK
1	381006877/0	1	Manico, Parte Sup	Handle, Upper Part	Mancheron, Partie Superieure	Holm, Oberteil	
2	12819120/0	2	Vite	Screw	Vis	Schraube	
3	22680006/1	2	Rosetta	Washer	Rondelle	Scheibe	
4	22399803/0	2	Manopolina	Knob	Poignée	Griff	
5	12293200/0	2	Dado	Nut	Ecrou	Mutter	
6	22430313/0	1	Molla Guida	Guide Spring	Ressort De Guide	Feder Führer	
7	12154510/0	1	Dado	Nut	Ecrou	Mutter	
8	181030041/1	1	Cavo Freno Motore	Cable, Thread Engine Brake	Cable Frein Moteur	Kabel, Motorbremse	(Honda GCV 190)
8	181030041/1	1	Cavo Freno Motore	Cable, Thread Engine Brake	Cable Frein Moteur	Kabel, Motorbremse	(B&S 750 series)
8	181030062/0	1	Cavo Freno Motore	Cable, Thread Engine Brake	Cable Frein Moteur	Kabel, Motorbremse	(B&S 675 series)
9	381030059/0	1	Cavo Comando Trazione	Cable, Rear Drive	Câble, Commande Traction	Kabel, Antrieb	
10	12727783/0	1	Vite	Screw	Vis	Schraube	
11	22551640/0	1	Piastrina	Plate	Plaquette	Plättchen	
12	12154510/0	1	Dado	Nut	Ecrou	Mutter	
13	381003330/0	1	Leva Freno Motore	Lever, Engine Brake	Levier Frein Moteur	Hebel, Motorbremse	
14	12000930/0	2	Anello Elastico	Snap Ring	Anneau Ressort	Sprengring	
15	12523010/0	2	Rosetta	Washer	Rondelle	Scheibe	
16	22041960/0	2	Bussola	Bush	Douille	Buchse	
17	122524328/0	2	Perno	Pin	Pivot	Bolzen	
18	81003297/1	1	Leva Trazione	Driving Lever	Levier Traction	Antriebhebel	



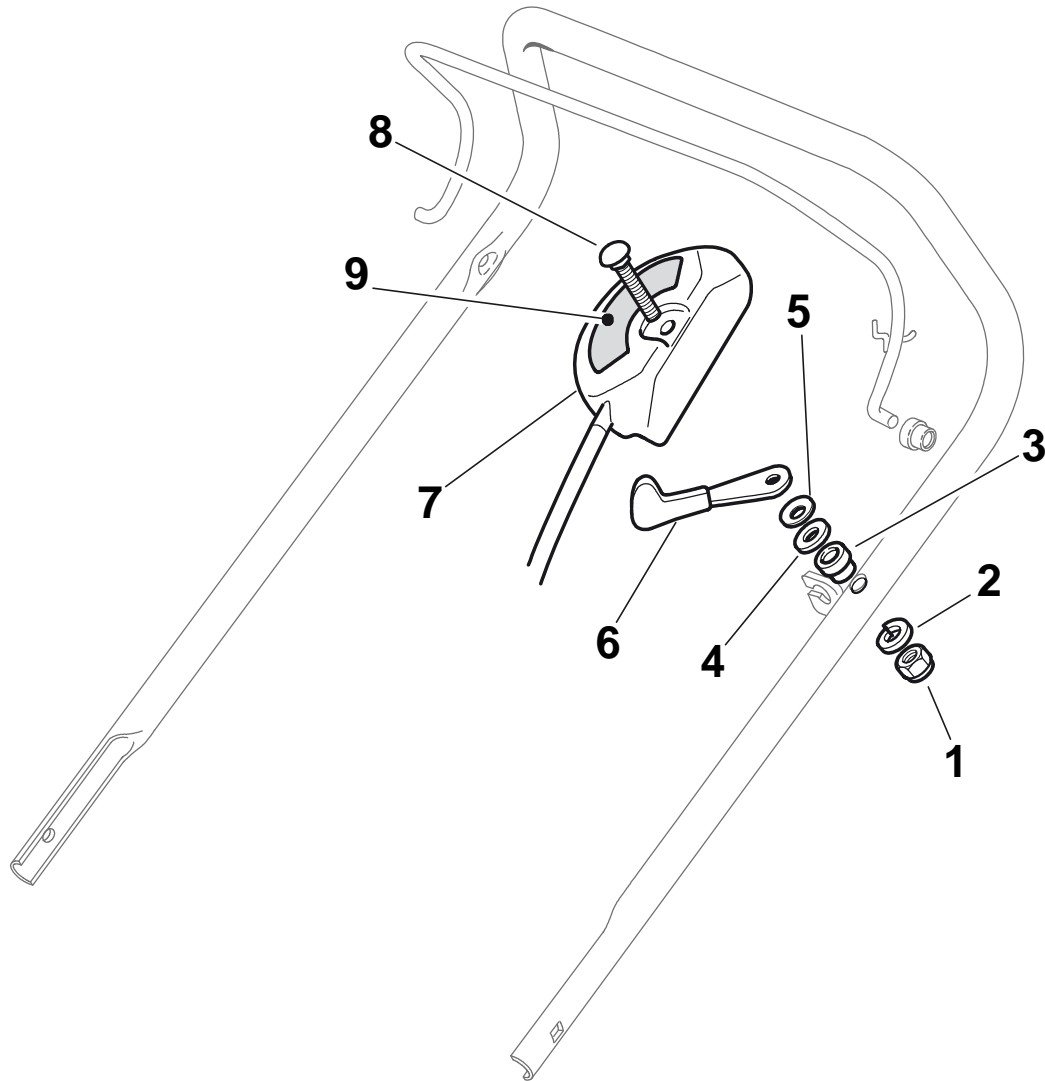
N.	CODE	Q.TY	DESCRIZIONE	DESCRIPTION	DESCRIPTION	BESCHREIBUNG	REMARK
1	381006881/0	1	Manico, Parte Sup. - Nero	Handle, Upper Part, Black	Mancheron, Partie Superieure, Noire	Holm, Oberteil, Schwarz	
2	22430309/0	1	Molla Guida	Guide Spring	Ressort De Guide	Feder Führer	
3	12154330/0	1	Dado	Nut	Ecrou	Mutter	
4	22041966/0	2	Bussola	Bush	Douille	Buchse	
5	81003291/3	1	Leva Freno Motore	Lever, Engine Brake	Levier Frein Moteur	Hebel, Motorbremse	
6	22291050/0	1	Impugnatura Manico Nera	Handgrip Black	Poignée Noire	Handgriff Schwarz	
7	22041965/1	2	Bussola	Bush	Douille	Buchse	
8	81003288/1	1	Leva Trazione	Lever, Driving	Levier Traction	Hebel, Antrieb	
9	181030063/0	1	Cavo Freno Motore	Cable, Thread Engine Brake	Cable Frein Moteur	Kabel, Motorbremse	(B&S 675 Series)
10	81000668/1	1	Cavo Comando Trazione	Cable, Rear Drive	Câble, Commande Traction	Kabel, Antrieb	
11	12819120/0	2	Vite	Screw	Vis	Schraube	
12	22680006/1	2	Rosetta	Washer	Rondelle	Scheibe	
13	22399803/0	2	Manopolina	Knob	Poignée	Griff	
14	12293202/0	2	Dado	Nut	Ecrou	Mutter	



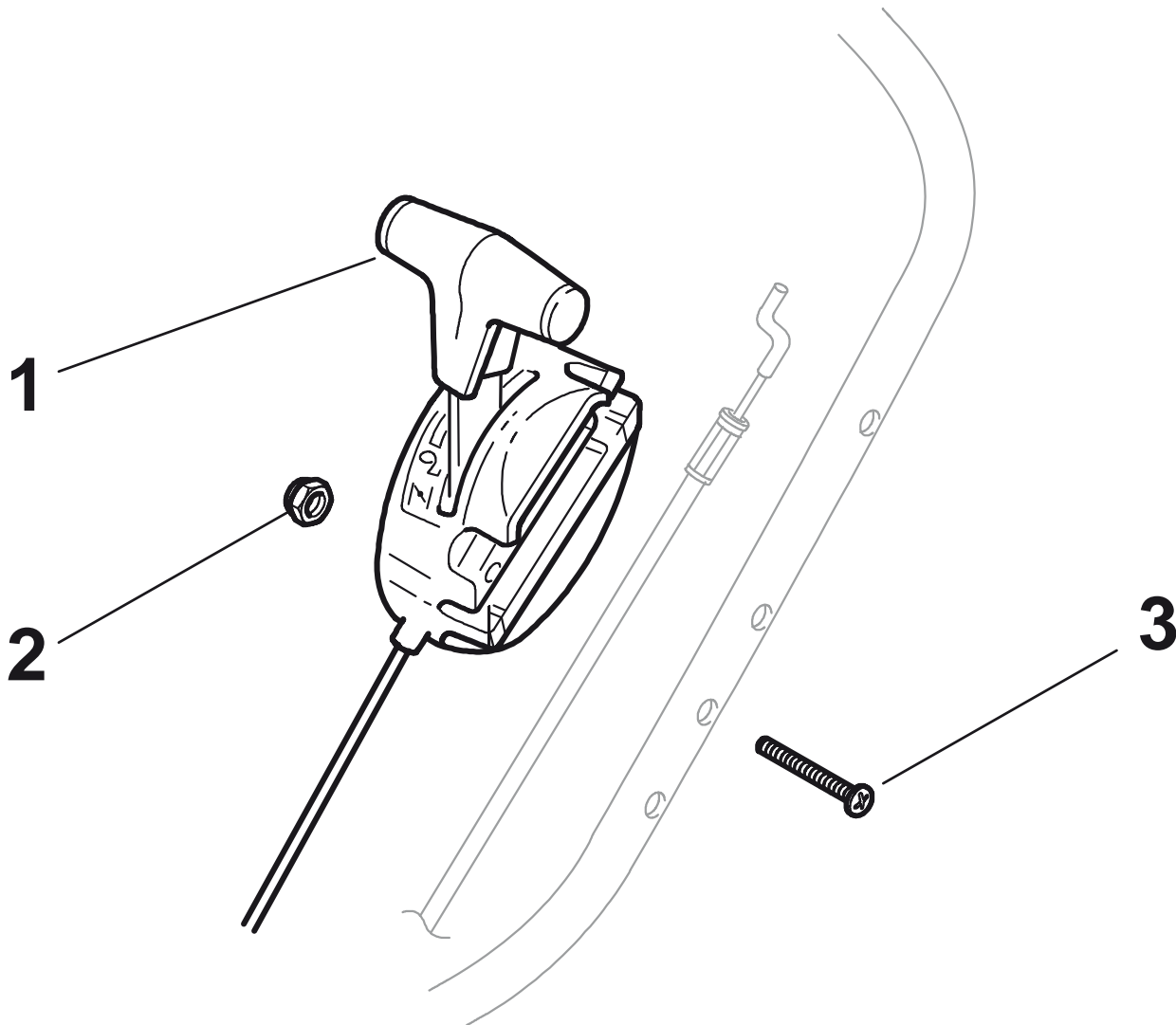
N.	CODE	Q.TY	DESCRIZIONE	DESCRIPTION	DESCRIPTION	BESCHREIBUNG	REMARK
1	381006879/0	1	Manico, Parte Sup. - Grigio	Handle, Upper Part, Grey	Mancheron, Partie Superieure, Gris	Holm, Oberteil, Grau	
1	381006881/0	1	Manico, Parte Sup. - Nero	Handle, Upper Part, Black	Mancheron, Partie Superieure, Noire	Holm, Oberteil, Schwarz	
2	22430309/0	1	Molla Guida	Guide Spring	Ressort De Guide	Feder Führer	
3	12154330/0	1	Dado	Nut	Ecrou	Mutter	
4	22041966/0	2	Bussola	Bush	Douille	Buchse	
5	181003332/1	1	Leva Freno Motore	Lever, Engine Brake	Levier Frein Moteur	Hebel, Motorbremse	
6	22291050/0	1	Impugnatura Manico Nera	Handgrip Black	Poignée Noire	Handgriff Schwarz	
7	22041965/1	2	Bussola	Bush	Douille	Buchse	
8	81003288/1	1	Leva Trazione	Lever, Driving	Levier Traction	Hebel, Antrieb	
10	81000668/1	1	Cavo Comando Trazione	Cable, Rear Drive	Câble, Commande Traction	Kabel, Antrieb	
11	12819120/0	2	Vite	Screw	Vis	Schraube	
12	22680006/1	2	Rosetta	Washer	Rondelle	Scheibe	
13	22399803/0	2	Manopolina	Knob	Poignée	Griff	
14	12293202/0	2	Dado	Nut	Ecrou	Mutter	
15	12727784/0	1	Vite	Screw	Vis	Schraube	
16	381030046/0	1	Cavo Comando Frizione Meccanica	Cable, Mechanical Clutch	Câble, Commande Embrayage Mecanique	Kabel, Mechanische Kupplung	



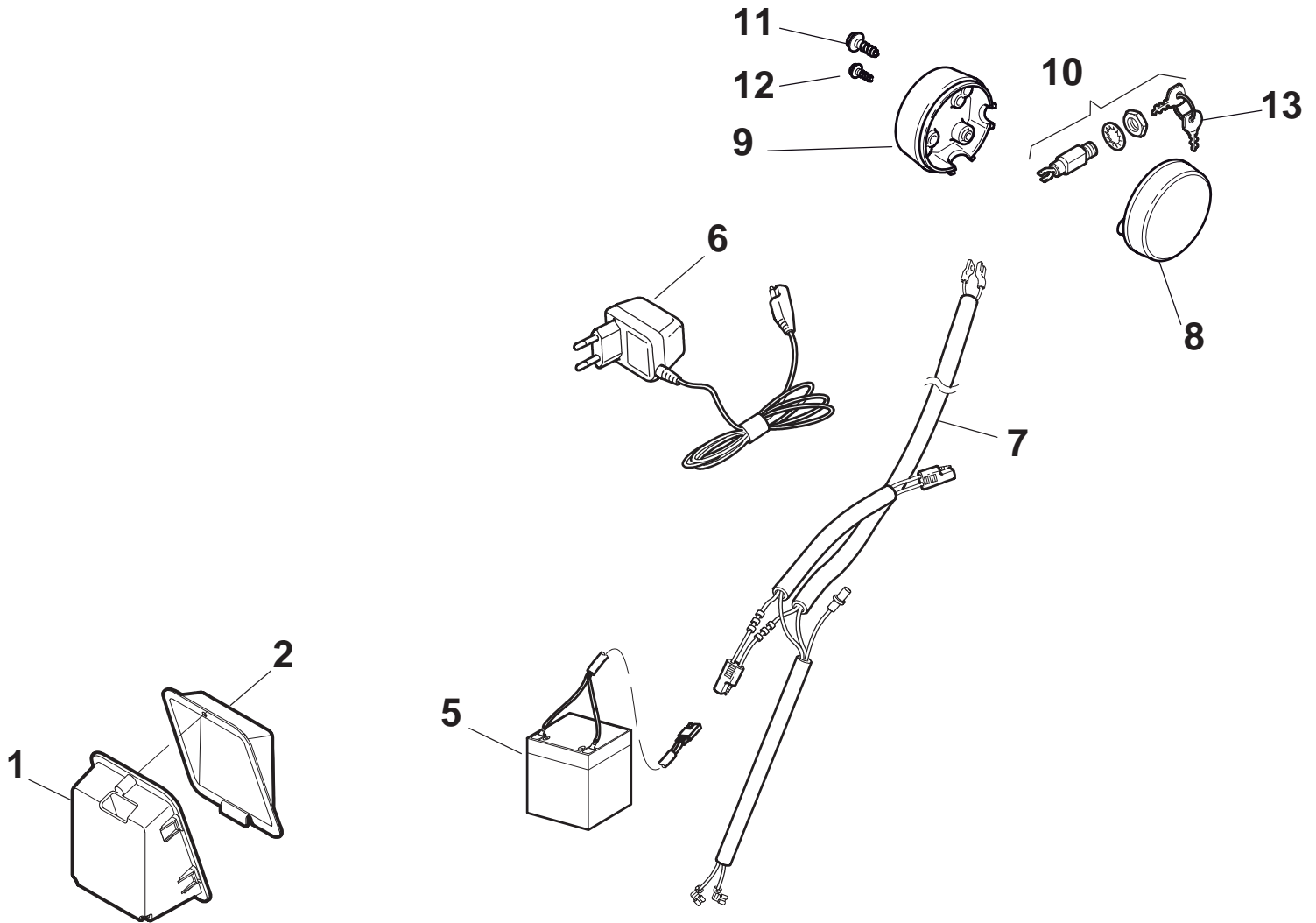
N. CODE	Q.TY	DESCRIZIONE	DESCRIPTION	DESCRIPTION	BESCHREIBUNG	REMARK
1 22601000/0	1	Protezione	Protection	Protection	Schutz	



N.	CODE	Q.TY	DESCRIZIONE	DESCRIPTION	DESCRIPTION	BESCHREIBUNG	REMARK
1	12291000/0	1	Dado	Nut	Ecrou	Mutter	
2	12581500/0	1	Grower	Grower	Grower	Federring	
3	22171005/0	1	Distanziale	Spacer	Entretoise	Distanzring	
4	12521360/0	1	Rosetta	Washer	Rondelle	Scheibe	
5	12508100/0	1	Rosetta Elastica	Spring Washer	Rondelle Elastique	Elastische Scheibe	
6	81007220/0	1	Leva, Acceleratore	Lever, Throttle	Levier, Accelérateur	Hebel, Beshleuniger	(B&S 450-500 Series - GGP 150 cc)
6	81007279/1	1	Leva, Acceleratore	Lever, Throttle	Levier, Accelérateur	Hebel, Beshleuniger	(B&S 625-675-700 Series - Honda - GGP 140-160-196 cc)
7	81007080/0	1	Cavo Acceleratore	Throttle Cable	Cable, Accelérateur	Gashebel Kabel	
8	12815000/0	1	Vite	Screw	Vis	Schraube	
9	114356905/0	1	Etichetta	Label	Etiquette	Etikette	(B&S 700 series DOV)
9	114356905/0	1	Etichetta	Label	Etiquette	Etikette	(Honda GCV 160-190 Autochoke)
9	114364264/0	1	Etichetta	Label	Etiquette	Etikette	AVS (GGP 160-196)
9	14356702/0	1	Etichetta	Label	Etiquette	Etikette	(GGP)
9	14356702/0	1	Etichetta	Label	Etiquette	Etikette	(Honda)
9	14356703/0	1	Etichetta	Label	Etiquette	Etikette	(B&S)

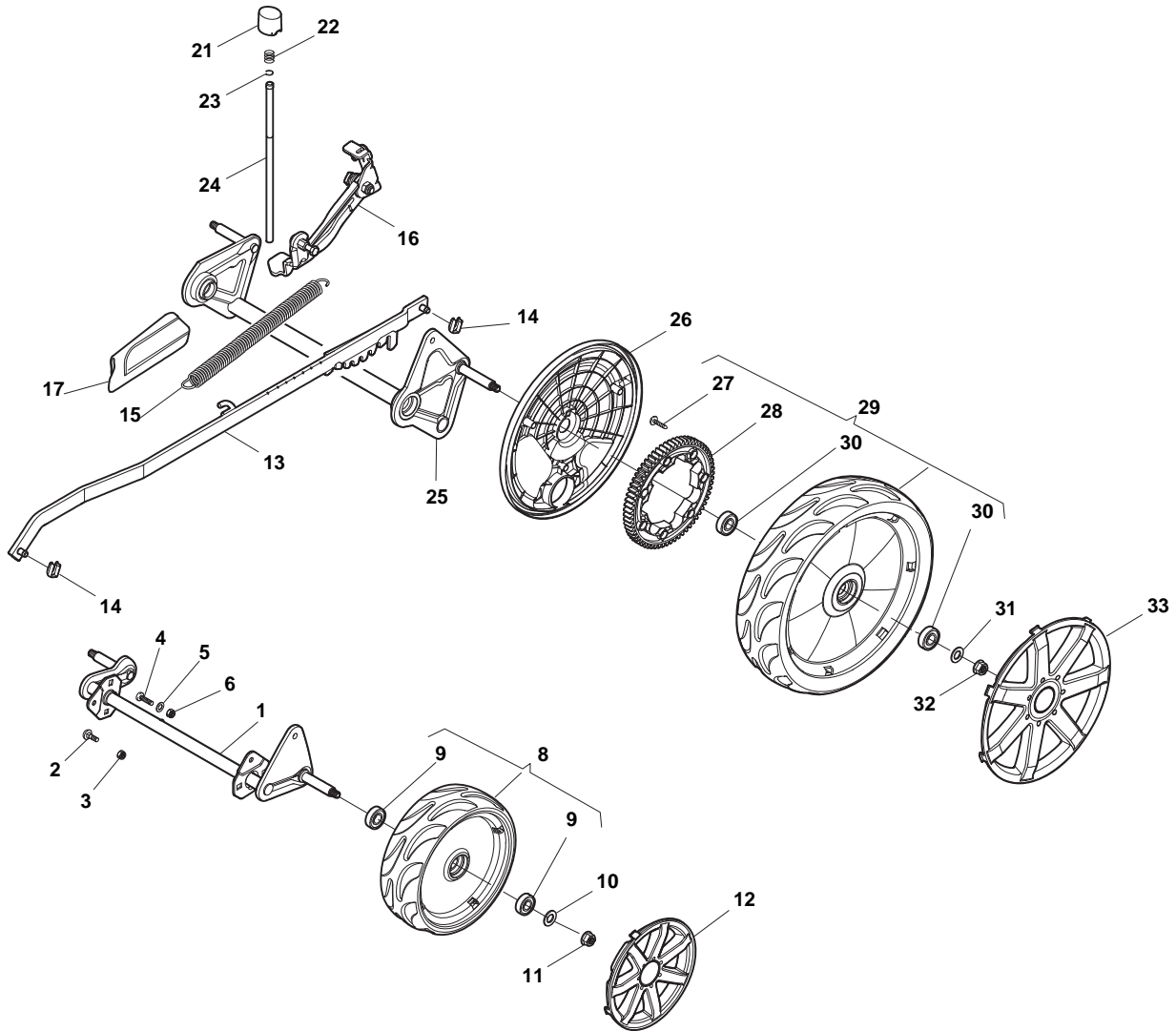


N.	CODE	Q.TY	DESCRIZIONE	DESCRIPTION	DESCRIPTION	BESCHREIBUNG	REMARK
1	81007130/0	1	Cavo Acceleratore	Throttle Cable	Cable, Accelérateur	Gashebel Kabel	(Honda)
2	12154510/0	1	Dado	Nut	Ecrou	Mutter	
3	12727786/0	1	Vite	Screw	Vis	Schraube	



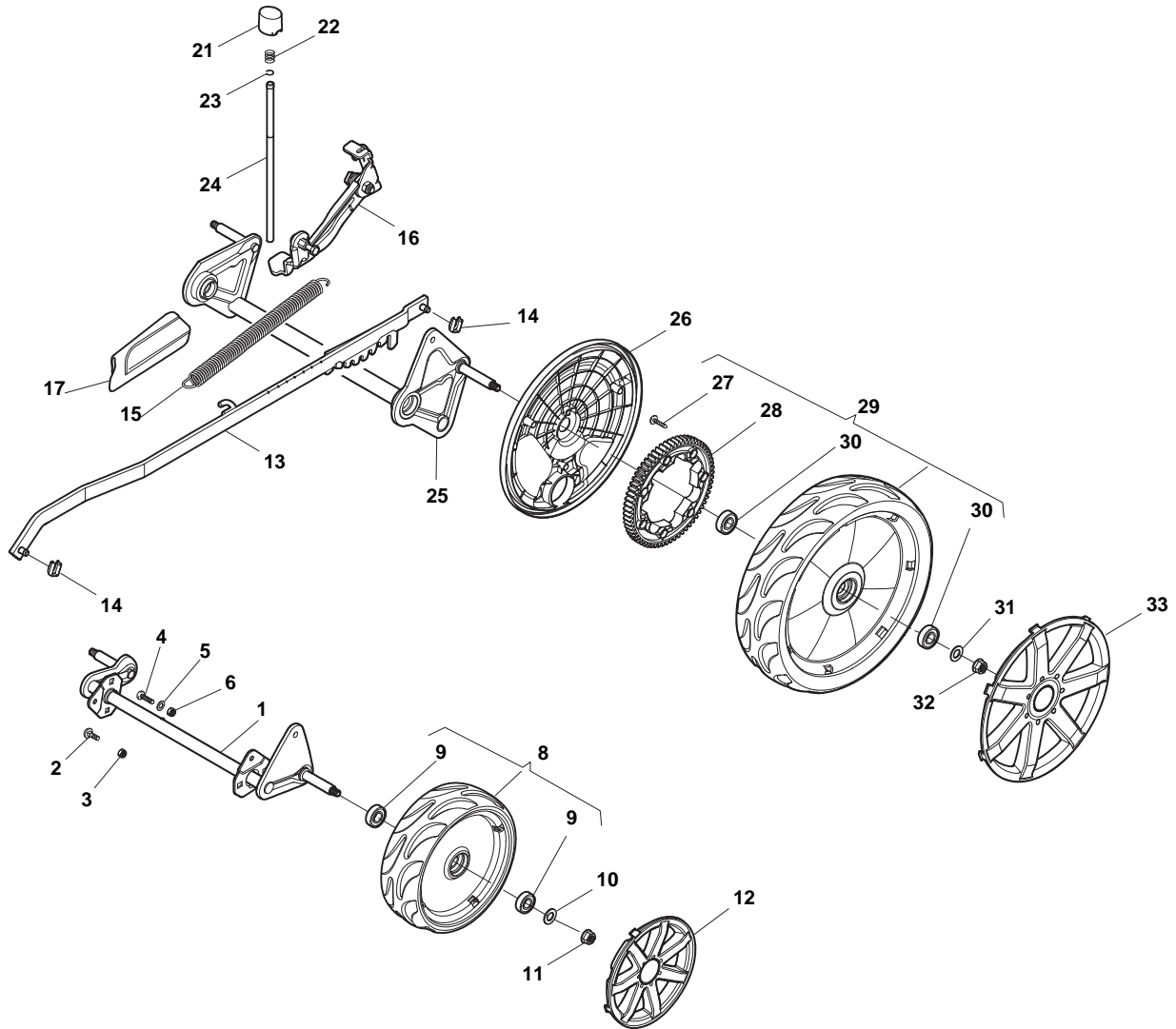
N.	CODE	Q.TY	DESCRIZIONE	DESCRIPTION	DESCRIPTION	BESCHREIBUNG	REMARK
1	322109548/1	1	Supporto Batteria	Support, Battery	Support Batterie	Halter, Batterie	
2	322109549/0	1	Coperchio	Cover	Couvercle	Deckel	
5	18120052/0	1	Batteria	Battery	Batterie	Batterie	
6	18204120/0	1	Carica Batteria	Battery Charger	Chargeur De	Ladgerät	CE
6	18204121/0	1	Carica Batteria	Battery Charger	Chargeur De	Ladgerät	UK
7	18204196/0	1	Cavo Avviamento	Cable, Start	Cable Démarrage	Kabel, Start	
8	22722800/0	1	Protezione Dx	R Protection	Protection D	Rechte Schutz	
9	22722801/0	1	Protezione Sx	L Protection	Protection G	Linke Schutz	
10	12728702/0	2	Vite	Screw	Vis	Schraube	
11	12728691/0	1	Vite	Screw	Vis	Schraube	
12	18450050/0	1	Interruttore	Switch	Interrupteur	Schalter	
13	18210016/1	1	Chiave Avviamento	Starting Key	Clef A Demarrage	Schlüssel Für Start	

DML 554 W TR - DML 554 W TR/E

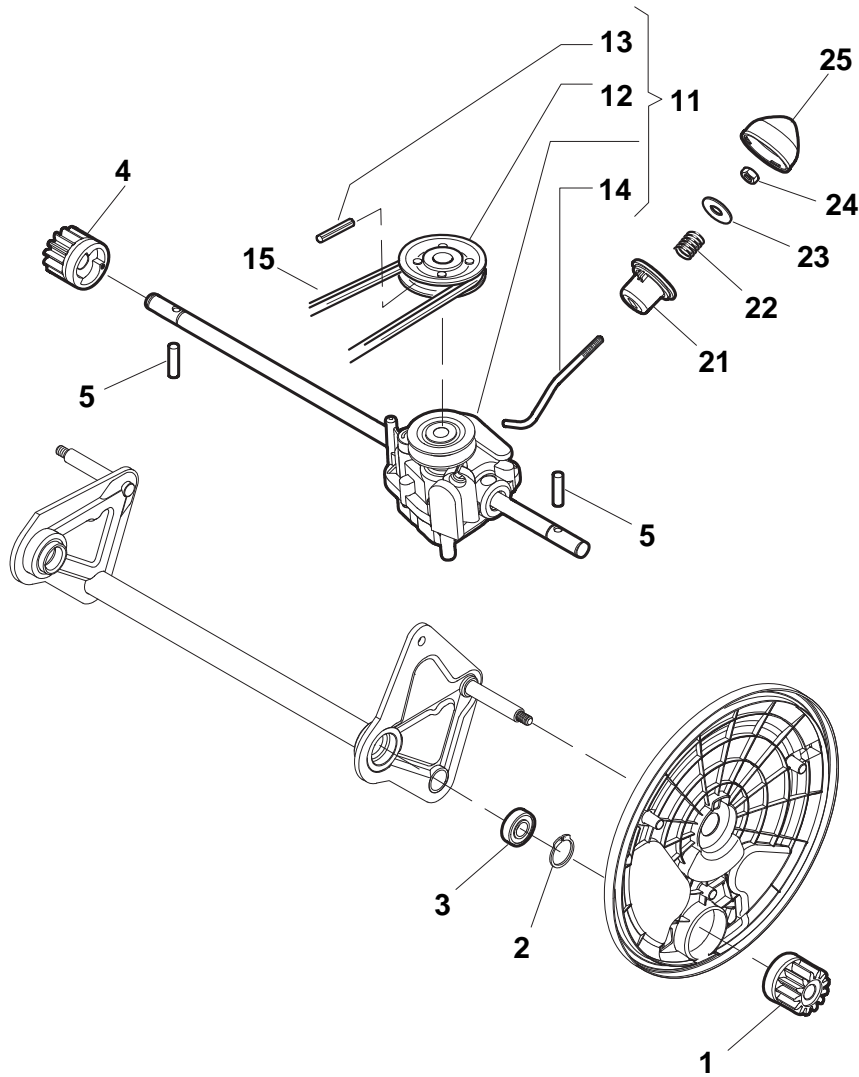


N.	CODE	Q.TY	DESCRIZIONE	DESCRIPTION	DESCRIPTION	BESCHREIBUNG	REMARK
1	381302801/0	1	Asse Ruote Anteriori	Axle, Front Wheels	Axe Roues Avant	Achse, Vorderrad	
2	12815205/0	4	Vite	Screw	Vis	Schraube	
3	12154510/0	4	Dado	Nut	Ecrou	Mutter	
4	112727799/0	2	Vite	Screw	Vis	Schraube	
5	12523040/0	2	Rosetta	Washer	Rondelle	Scheibe	
6	12154510/0	2	Dado	Nut	Ecrou	Mutter	
8	381007394/1	2	Ruota Ø 210	Wheel Ø 210	Roue Ø 210	Rad Ø 210	
9	19216035/0	4	Cuscinetto	Bearing	Coussinet	Lager	
10	12521350/0	2	Rosetta	Washer	Rondelle	Scheibe	
11	12155000/0	2	Dado	Nut	Ecrou	Mutter	
12	322110597/0	2	Coprismozzo	Hub Cap	Couvre-Moyeu	Radkappe	
13	381002035/0	1	Asta Comando Regol. Altezza	Rod, Height Adjustment	Tige Commande Reglage Hauteur	Stange, Höheverstellung	
14	112436051/0	2	Piastrina	Plate	Plaquette	Plättchen	
15	122450459/1	1	Molla	Spring	Ressort	Feder	
16	381003337/1	1	Leva Regolazione Altezza	Lever, Height Adjustment	Levier, Reglage Hauteur	Hebel, Höheverstellung	
17	322570202/0	1	Copertura	Cover	Couvre	Kappe	
21	322602012/1	1	Pulsante	Button	Poussoir	Druckknopf	
22	122450462/0	1	Molla	Spring	Ressort	Feder	
23	12000930/0	1	Anello Elastico	Snap Ring	Anneau Ressort	Sprengring	
24	122033351/1	1	Astina	Rod	Tige	Stange	
25	381002899/0	1	Asse Ruote Posteriori	Axle, Rear Wheels	Axe Roues Arriere	Achse, Hinterrad	
26	322600179/0	2	Prot. Ruote	Protection, Wheel	Protection Roue	Schütz	
27	12728691/0	6	Vite	Screw	Vis	Schraube	
28	322120113/0	2	Corona Trascinamento	Ring Gear	Couronne	Kranz	
29	381007398/1	2	Ruota Ø 300	Wheel Ø 300	Roue Ø 300	Rad Ø 300	
30	19216035/0	4	Cuscinetto	Bearing	Coussinet	Lager	
31	12521350/0	2	Rosetta	Washer	Rondelle	Scheibe	

DML 554 W TR - DML 554 W TR/E

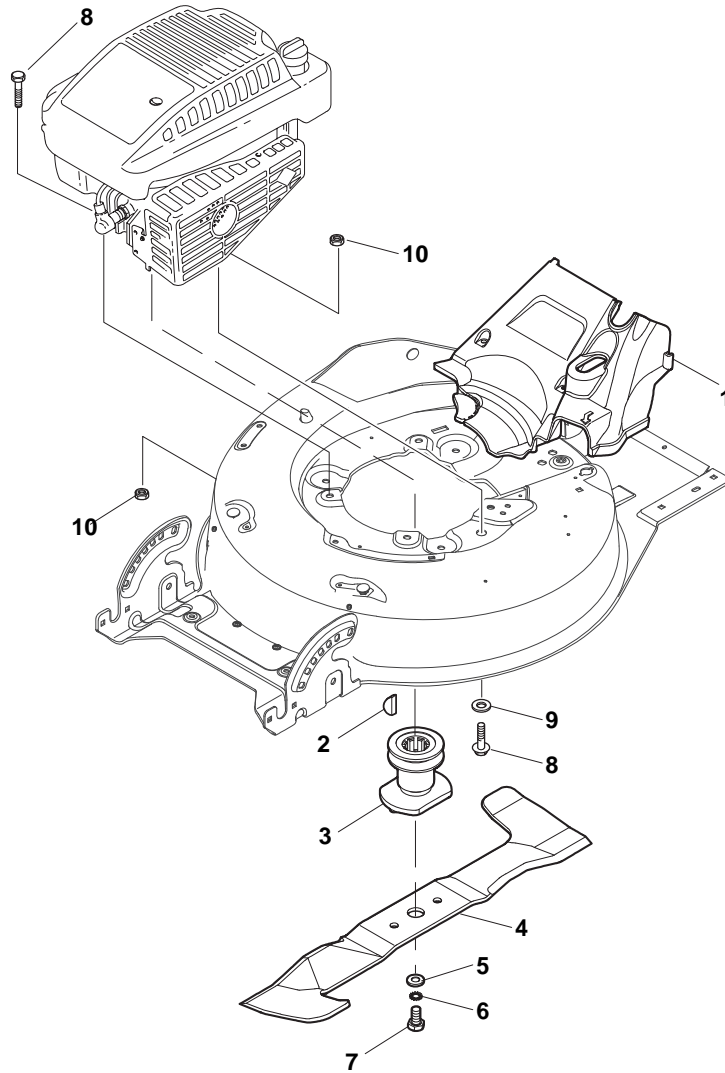


N. CODE	Q.TY	DESCRIZIONE	DESCRIPTION	DESCRIPTION	BESCHREIBUNG	REMARK	
32	12155000/0	2	Dado	Nut	Ecrou	Mutter	
33	322110598/0	2	Coprimozzo	Hub Cap	Couvre-Moyeu	Radkappe	

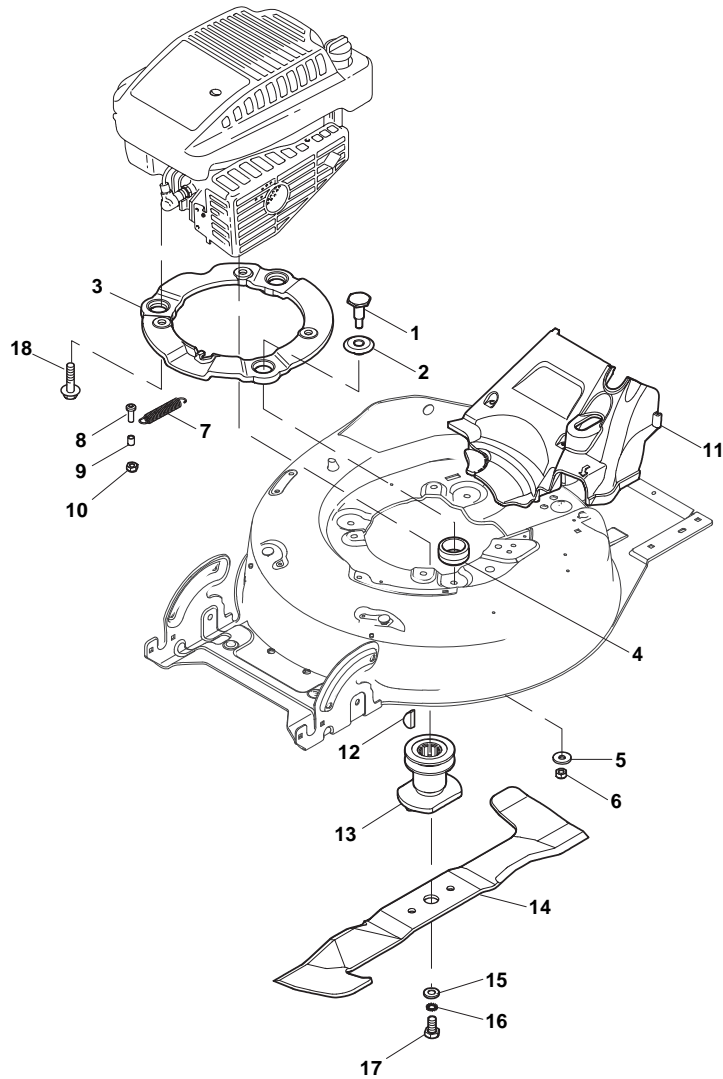


N.	CODE	Q.TY	DESCRIZIONE	DESCRIPTION	DESCRIPTION	BESCHREIBUNG	REMARK
1	122570132/0	1	Pignone Sx	Pinion L	Pignon G	Ritzel Linkes	
2	12608600/0	4	Seeger	Seeger	Seeger	Seeger	
3	19216035/0	2	Cuscinetto	Bearing	Coussinet	Lager	
4	122570131/0	1	Pignone Dx	Pinion R	Pignon D	Ritzel Rechtes	
5	22753000/0	2	Spina	Pin	Goupille	Stift	
11	181003106/0	1	Gruppo Trazione	Gear Box	Groupe Traction	Antrieb	
12	122601908/1	1	Puleggia	Pulley	Poulie	Riemenscheibe	
13	12645705/0	1	Spina	Pin	Goupille	Stift	
14	122033290/0	1	Asta Regolazione	Adjustment Rod	Tige Reglage	Verstellungstange	
15	135064392/0	1	Cinghia	Belt	Courroie	Riemen	
21	22041957/1	1	Bussola	Bush	Douille	Buchse	
22	22450063/0	1	Molla	Spring	Ressort	Feder	
23	22680009/0	1	Rosetta	Washer	Rondelle	Scheibe	
24	12154510/0	1	Dado	Nut	Ecrou	Mutter	
25	322109550/0	1	Tappo	Cap	Bouchon	Gummistopfen	

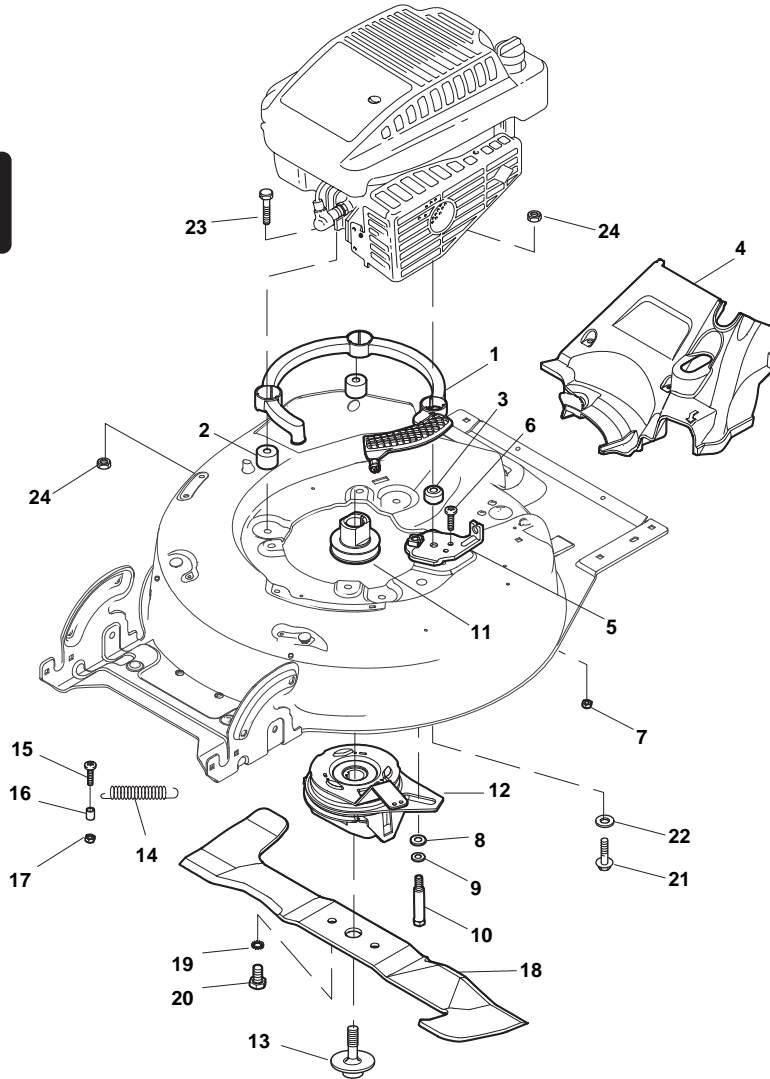
DML 554 W TR - DML 554 W TR/E



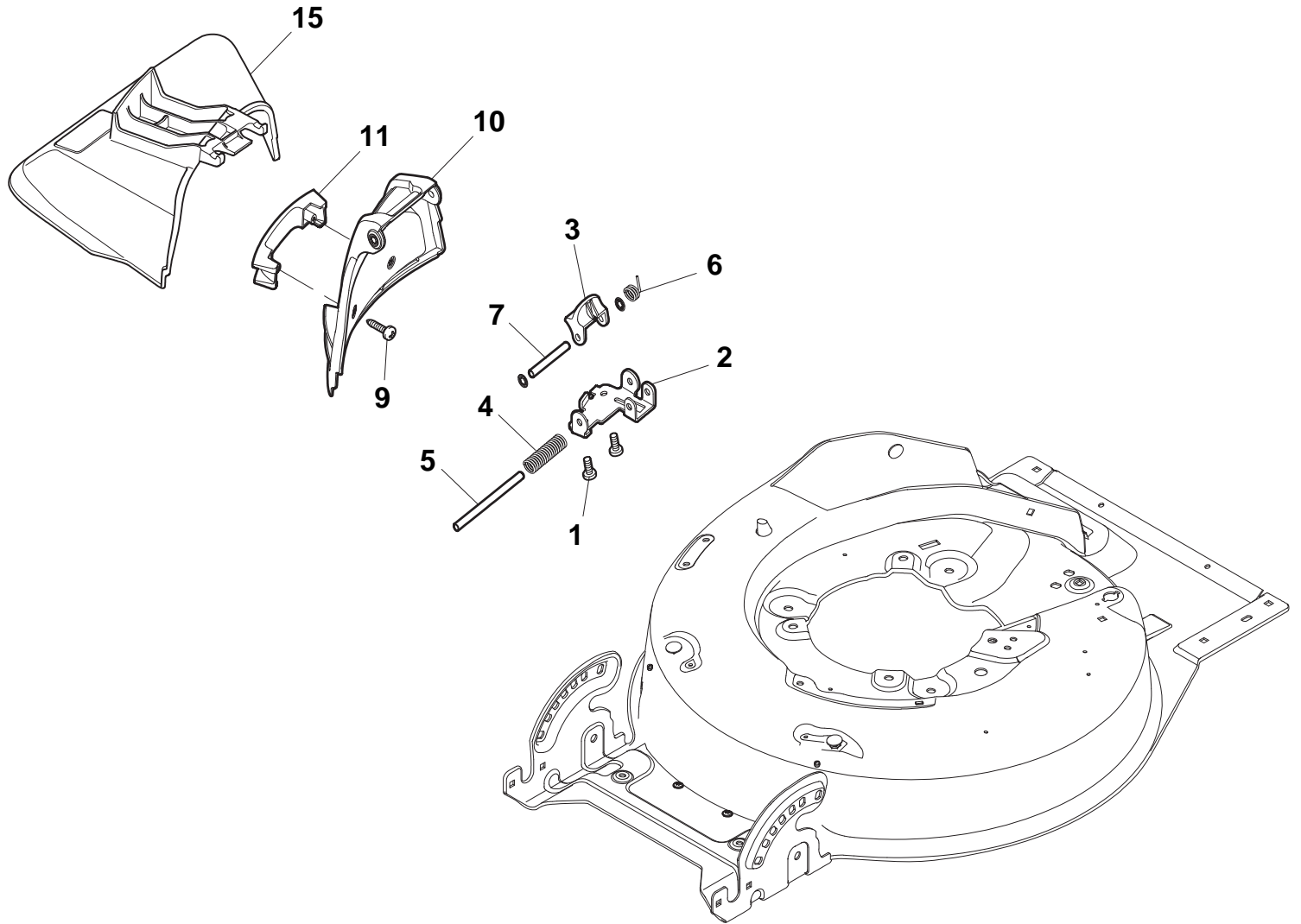
N.	CODE	Q.TY	DESCRIZIONE	DESCRIPTION	DESCRIPTION	BESCHREIBUNG	REMARK
1	322060234/0	1	Carter	Protection	Protection	Schutz	
2	12139100/0	1	Linguetta, Albero Motore Ø 22.2	Feather, Crankshaft Ø 22.2	Clavette, Arbre Moteur Ø 22.2	Keil, Motorwelle Ø 22.2	(B&S - GGP)
2	12139150/0	1	Linguetta, Albero Motore Ø 25	Feather, Crankshaft Ø 25	Clavette, Arbre Moteur Ø 25	Keil, Motorwelle Ø 25	(Honda)
3	122465607/3	1	Mozzo, Albero Motore Ø 22.2	Hub, Crankshaft Ø 22.2	Moyeu, Arbre Moteur Ø 22.2	Halter, Motorwelle Ø 22.2	(B&S - GGP)
3	122465608/2	1	Mozzo, Albero Motore Ø 25	Hub, Crankshaft Ø 25	Moyeu, Arbre Moteur Ø 25	Halter, Motorwelle Ø 25	(Honda)
4	181004453/0	1	Coltello Standard	Blade Standard	Lame Standard	Messer Standard	
5	22160400/0	1	Disco Elastico	Elastic Washer	Rondelle Elastique	Elastischescheibe	
6	12523080/0	1	Rosetta	Washer	Rondelle	Scheibe	
7	12735698/0	1	Vite	Screw	Vis	Schraube	
8	12691100/0	2	Vite	Screw	Vis	Schraube	(B&S 675 Series)
8	12691100/0	3	Vite	Screw	Vis	Schraube	(B&S 625-750 Series)
8	12691100/0	3	Vite	Screw	Vis	Schraube	(Honda GCV 160-190)
8	12691115/0	3	Vite	Screw	Vis	Schraube	(GGP Engine 140-160-196 cc)
8	12691800/0	1	Vite	Screw	Vis	Schraube	(B&S 675 Series)
9	12521350/0	1	Rosetta	Washer	Rondelle	Scheibe	
10	12154210/0	3	Dado	Nut	Ecrou	Mutter	



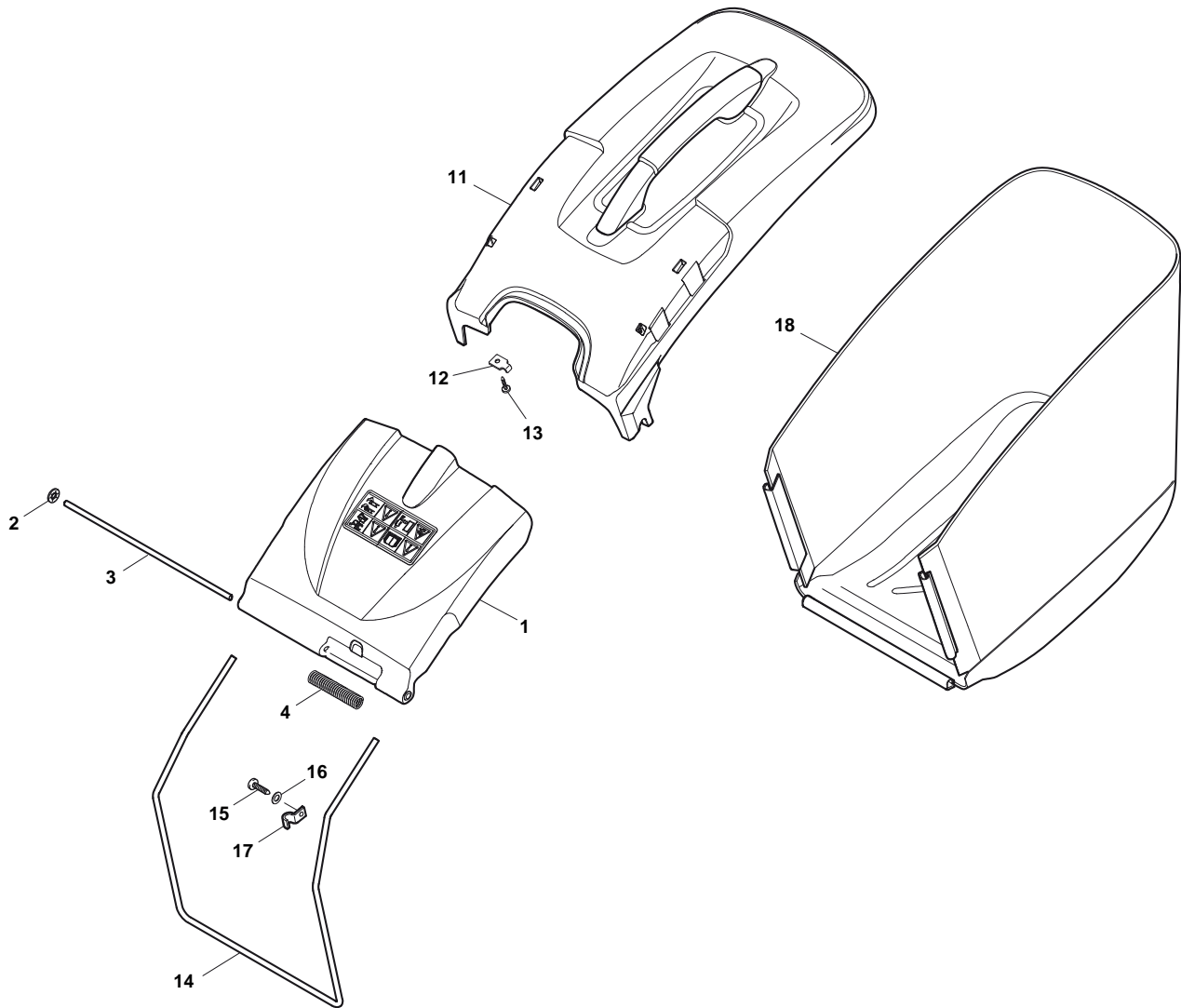
N.	CODE	Q.TY	DESCRIZIONE	DESCRIPTION	DESCRIPTION	BESCHREIBUNG	REMARK
1	122519816/0	3	Perno	Pin	Pivot	Bolzen	
2	22672201/0	3	Rondella	Washer	Rondelle	Scheibe	
3	322207226/0	1	Flangia	Flange	Bride	Flansch	
4	322250014/0	3	Gommino	Grommet	Caoutchouc	Gummi	
5	122170850/0	3	Distanziale	Spacer	Entretoise	Distanzring	
6	12155000/0	3	Dado	Nut	Ecrou	Mutter	
7	122450461/0	1	Molla	Spring	Ressort	Feder	
8	112727801/0	1	Vite	Screw	Vis	Schraube	
9	122170846/0	1	Distanziale	Spacer	Entretoise	Distanzring	
10	12154510/0	1	Dado	Nut	Ecrou	Mutter	
11	322060234/0	1	Carter	Protection	Protection	Schutz	
12	12139100/0	1	Linguetta, Albero Motore Ø 22.2	Feather, Crankshaft Ø 22.2	Clavette, Arbre Moteur Ø 22.2	Keil, Motorwelle Ø 22.2	(B&S - GGP)
12	12139150/0	1	Linguetta, Albero Motore Ø 25	Feather, Crankshaft Ø 25	Clavette, Arbre Moteur Ø 25	Keil, Motorwelle Ø 25	(Honda)
13	122465638/1	1	Mozzo Con Puleggia, Albero Motore Ø 22.2	Hub With Pulley, Crankshaft Ø 22.2	Moyeu Avec Poulie, Arbre Moteur Ø 22.2	Nabe Mit Scheibe, Motorwelle Ø 22.2	(B&S - GGP)
13	122465639/1	1	Mozzo Con Puleggia, Albero Motore Ø 25	Hub With Pulley, Crankshaft Ø 25	Moyeu Avec Poulie, Arbre Moteur Ø 25	Nabe Mit Scheibe, Motorwelle Ø 25	(Honda)
14	181004454/0	1	Coltello	Blade	Lame	Messer	
15	22160400/0	1	Disco Elastico	Elastic Washer	Rondelle Elastique	Elastischescheibe	
16	12523080/0	1	Rosetta	Washer	Rondelle	Scheibe	
17	12736815/0	1	Vite	Screw	Vis	Schraube	
18	112735108/1	3	Vite	Screw	Vis	Schraube	



N.	CODE	Q.TY	DESCRIZIONE	DESCRIPTION	DESCRIPTION	BESCHREIBUNG	REMARK
1	322170962/0	1	Protezione	Protection	Protection	Schutz	
2	22170835/0	2	Distanziale	Spacer	Entretoise	Distanzring	
3	122170836/1	1	Distanziale	Spacer	Entretoise	Distanzring	
4	322060235/0	1	Carter	Protection	Protection	Schutz	
5	381545329/0	1	Supporto	Support	Support	Halter	
6	112727802/0	1	Vite	Screw	Vis	Schraube	
7	12154510/0	1	Dado	Nut	Ecrou	Mutter	
8	22671653/0	1	Rosetta	Washer	Rondelle	Scheibe	
9	12540060/0	1	Rondella	Washer	Rondelle	Scheibe	
10	122534127/0	1	Piolo	Pin	Bondon	Dübel	
11	122601922/0	1	Puleggia, Albero Motore Ø 22.2	Pulley, Crankshaft Ø 22.2	Poulie, Arbre Moteur Ø 22.2	Scheibe, Motorwelle Ø 22.2	(B&S - GGP)
11	122601923/0	1	Puleggia, Albero Motore Ø 25	Pulley, Crankshaft Ø 25	Poulie, Arbre Moteur Ø 25	Scheibe, Motorwelle Ø 25	(Honda)
12	118399051/0	1	Ass. Frizione Meccanica	Mechanical Clutch	Embrayage Mecanique	Mechanische Kupplung	
13	12735460/0	1	Vite	Screw	Vis	Schraube	
14	122446188/0	1	Molla	Spring	Ressort	Feder	
15	112727801/0	1	Vite	Screw	Vis	Schraube	
16	122170846/0	1	Distanziale	Spacer	Entretoise	Distanzring	
17	12154510/0	1	Dado	Nut	Ecrou	Mutter	
18	181004455/0	1	Coltello	Blade	Lame	Messer	
19	12540060/0	2	Rondella	Washer	Rondelle	Scheibe	
20	12794110/0	2	Vite	Screw	Vis	Schraube	
21	12692050/0	1	Vite	Screw	Vis	Schraube	
22	12521350/0	1	Rosetta	Washer	Rondelle	Scheibe	
23	12691700/0	2	Vite	Screw	Vis	Schraube	
24	12154210/0	3	Dado	Nut	Ecrou	Mutter	



N.	CODE	Q.TY	DESCRIZIONE	DESCRIPTION	DESCRIPTION	BESCHREIBUNG	REMARK
1	112727803/0	2	Vite	Screw	Vis	Schraube	
2	322806635/1	1	Fulcro	Fulcrum Pin	Point D'Appui	Gelenkpunkt	
3	322783010/1	1	Pulsante	Button	Poussoir	Druckknopf	
4	122450456/0	1	Molla	Spring	Ressort	Feder	
5	122517864/0	1	Perno	Pin	Pivot	Bolzen	
6	122450457/0	1	Molla	Spring	Ressort	Feder	
7	122517866/0	1	Perno	Pin	Pivot	Bolzen	
9	112728706/0	2	Vite	Screw	Vis	Schraube	
10	322600200/0	1	Protezione Uscita	Ejection Guard	Protection Sortie	Auswurfschutz	
11	322393633/0	1	Maniglia	Handle	Poignee	Griff	
15	322108289/0	1	Protezione Uscita	Ejection Guard	Protection Sortie	Auswurfschutz	



N.	CODE	Q.TY	DESCRIZIONE	DESCRIPTION	DESCRIPTION	BESCHREIBUNG	REMARK
1	322600180/3	1	Parasassi	Stone-Guard	Pare-Pierres	Prallblech	
2	12604899/0	2	Fissatore A Corona	Crown Fastener	Fixateur A Couronne	Kronescheibe	
3	122517863/0	1	Perno	Pin	Pivot	Bolzen	
4	122450455/1	1	Molla	Spring	Ressort	Feder	
11	381486007/0	1	Sacco, Parte Sup	Grass-Box, Upper	Sac, Partie	Korb, Oberteil	
12	322545159/0	2	Piastrina	Plate	Plaquette	Plättchen	
13	12728689/0	2	Vite	Screw	Vis	Schraube	
14	122608542/0	1	Rinforzo Inf	Stiffening Lower	Réinforcement Inf	Verstärkung Untere	
15	12728689/0	2	Vite	Screw	Vis	Schraube	
16	12521320/0	2	Rosetta	Washer	Rondelle	Scheibe	
17	325774220/0	2	Piastrina	Plate	Plaquette	Plättchen	
18	181002298/1	1	Sacco, Tela	Box, Fabric	Sac, Toile	Sack, Tuck	Mountfield
18	181002302/2	1	Sacco, Tela	Box, Fabric	Sac, Toile	Sack, Tuck	Stiga
18	181002303/2	1	Sacco, Tela	Box, Fabric	Sac, Toile	Sack, Tuck	Castelgarden