

Genuine Spare Parts

DI 474

Catalogo delle parti di ricambio
Spare parts catalogue
Catalogue des pieces de rechange
Ersatzteilkatalog

2011

- Use GLOBAL GARDEN PRODUCT Genuine Spare Parts specified in the parts list for repair and/or replacement.
- The contents described in the parts list may change due to improvement.
- The drawings of the spare parts are only indicative and might not represent the part in question exactly.
- The indications "right" - "left" - "front" - "rear" refer to the position of the operator when using the machine.
- When placing orders of parts for repair and/or replacement, make sure that the illustrated parts list is the one applying to the machine's year of manufacture, as shown on the identification plate attached to the machine.

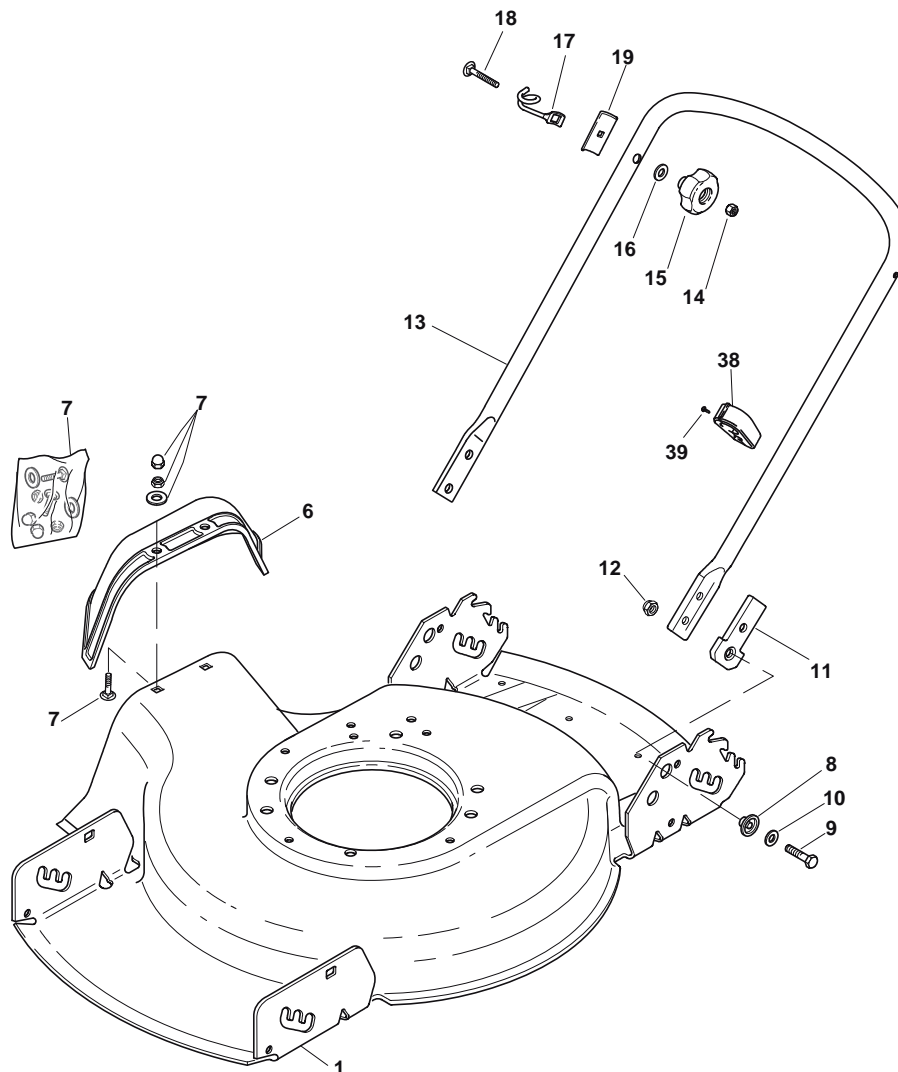
© Copyright 2011 Global Garden Products

All content is subject to copyright by Global Garden Products and may not be reproduced in whole or in part by any means, electronic or otherwise, without prior written approval.

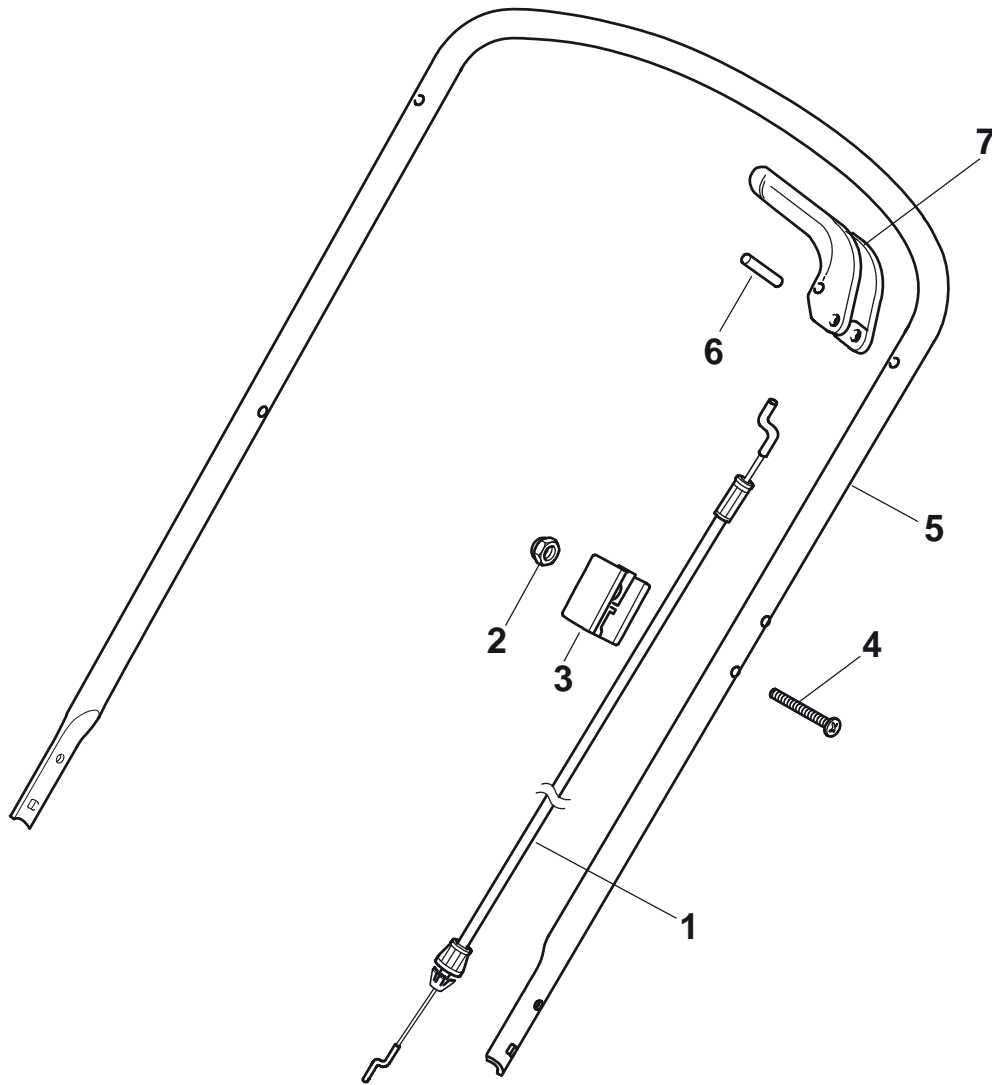
THIS INFORMATION IS NOT INTENDED FOR SALE OR RESALE, AND THIS NOTICE MUST REMAIN ON ALL COPIES.



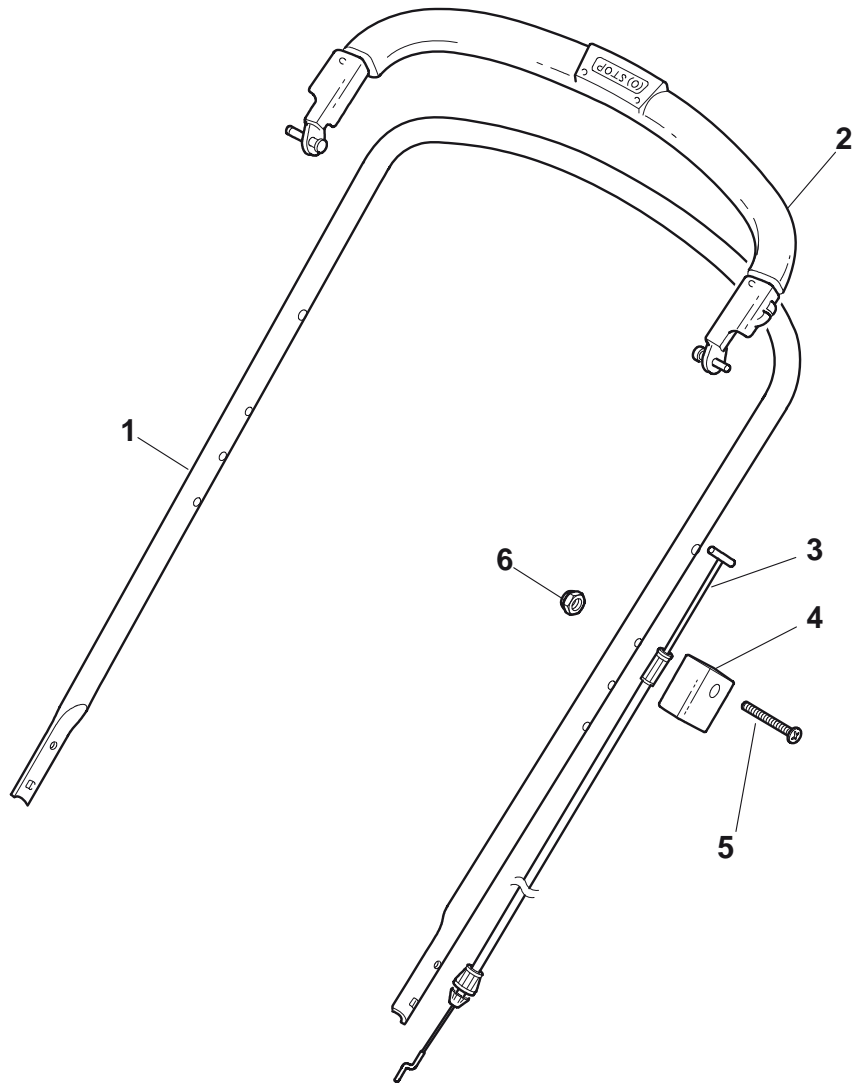
GLOBAL GARDEN PRODUCTS



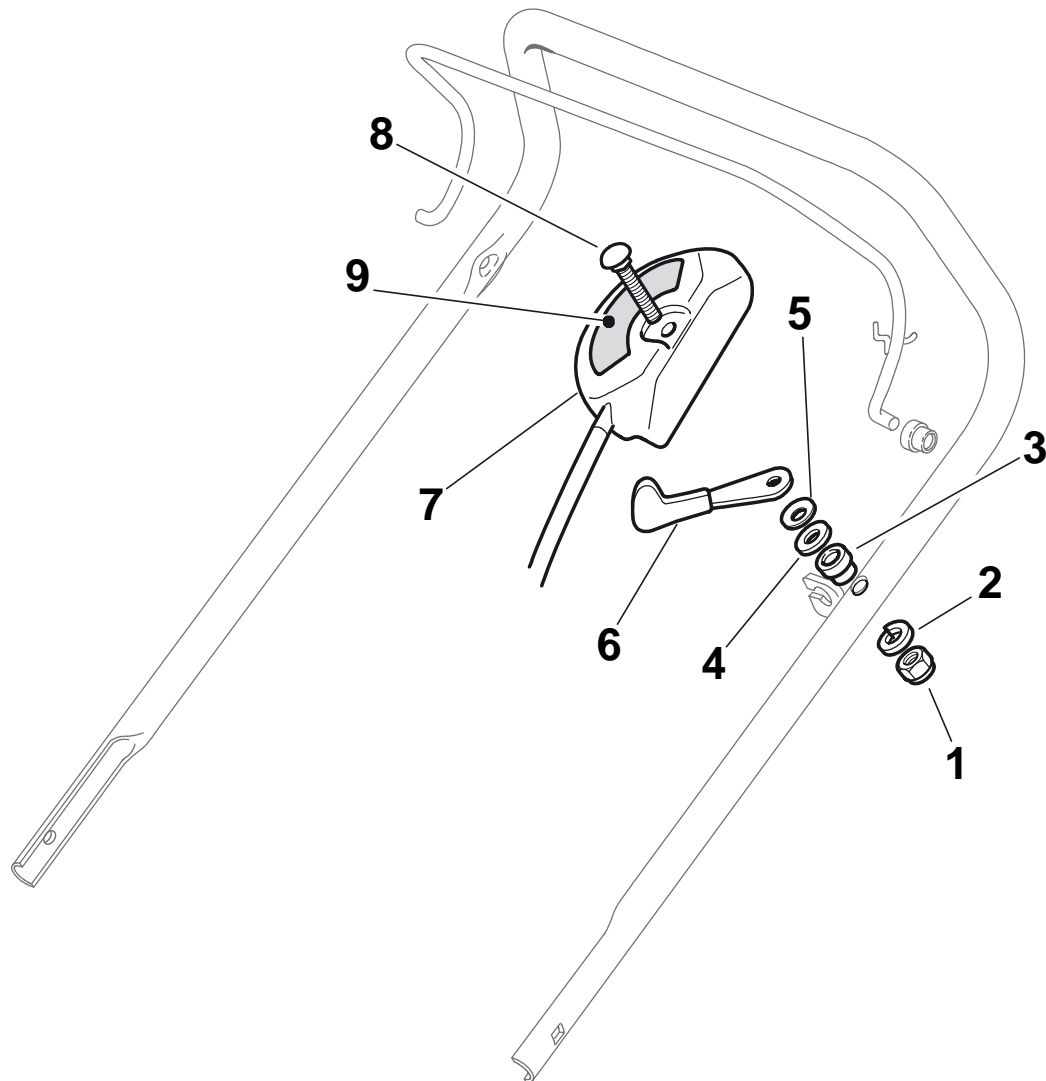
N.	CODE	Q.TY	DESCRIZIONE	DESCRIPTION	DESCRIPTION	BESCHREIBUNG	REMARK
1	81002984/0	1	Chassis Giallo	Deck Yellow	Châssis Jaune	Gehäuse Gelb	
6	22600159/0	1	Protezione	Protection	Protection	Schutz	
7	81008502/0	1	Dotazione Viteria	Outfit, Screws	Dotation Visserie	Satz, Schrauben	
8	22041958/0	4	Bussola Isolamento	Isolation Compass	Boussole De Isolement	Absonderung Kompass	
9	12793701/0	4	Vite	Screw	Vis	Schraube	
10	22671651/0	4	Rosetta	Washer	Rondelle	Scheibe	
11	22551577/0	2	Piastrina Isolamento	Plate	Plaquette	Platte	
12	12155000/0	4	Dado	Nut	Ecrou	Mutter	
13	81006639/0	1	Manico, Parte Inf	Handle, Lower Part	Mancheron, Partie Inferieure	Holz, Unterteil	
14	12361005/0	2	Dado	Nut	Ecrou	Mutter	
15	22399810/0	2	Manopolina	Knob	Poignée	Griff	
16	12521350/0	2	Rosetta	Washer	Rondelle	Scheibe	
17	22430311/0	1	Molla Guida	Guide Spring	Ressort De Guide	Feder Führer	
18	12820655/0	2	Vite	Screw	Vis	Schraube	
19	22545137/0	2	Piastrina Fissaggio Manico	Plate For Handle Fastening	Plaquette Fixage Mancheron	Platte Holmbefestigung	
38	22192001/0	1	Fascetta Ancoraggio	Anchor Clamp	Collier Ancrage	Bowdenzughalter	
39	12728691/0	1	Vite	Screw	Vis	Schraube	



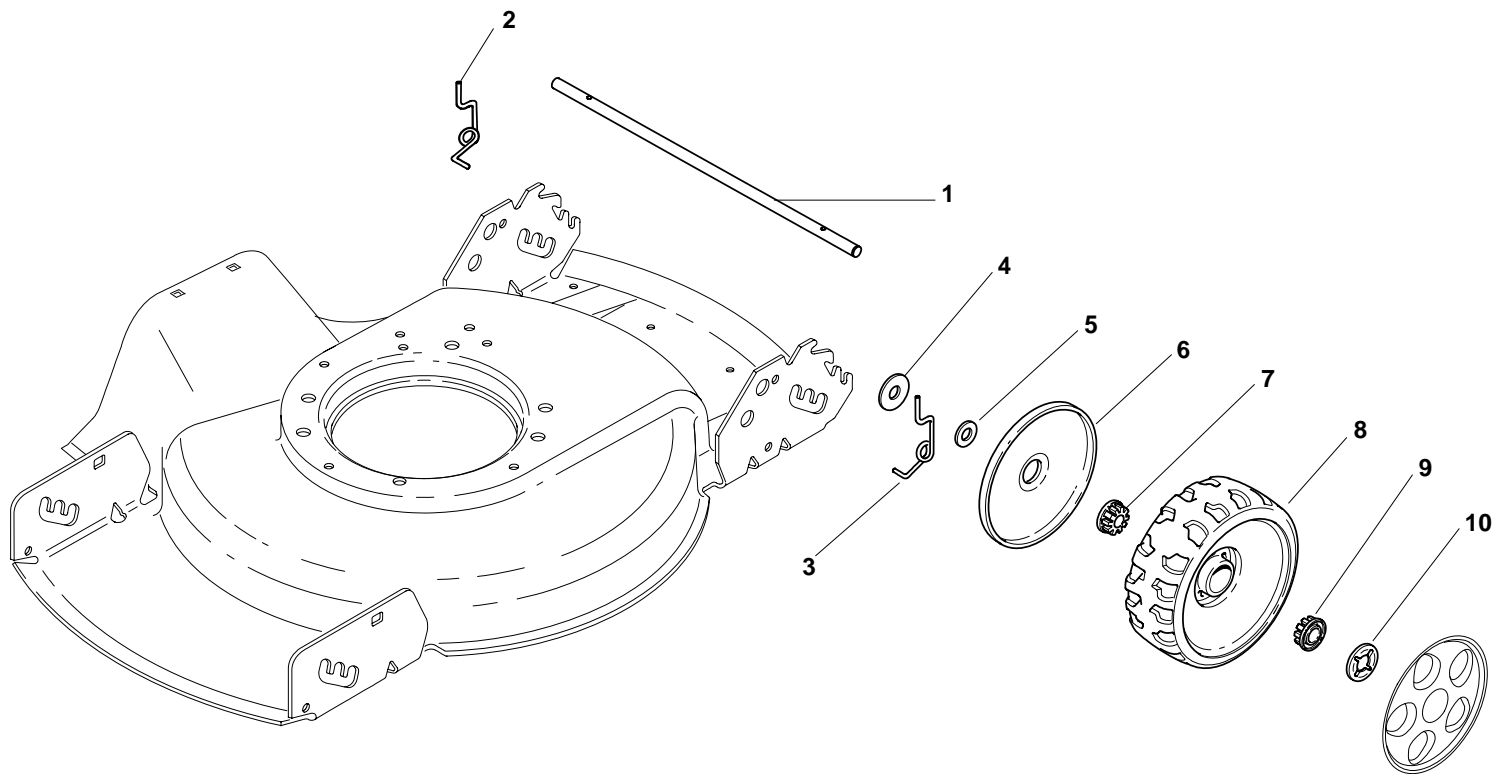
N.	CODE	Q.TY	DESCRIZIONE	DESCRIPTION	DESCRIPTION	BESCHREIBUNG	REMARK
1	181000762/0	1	Cavo Freno Motore	Cable, Thread Engine Brake	Cable Frein Moteur	Kabel, Motorbremse	(B&S 450-500 Series)
1	181000762/0	1	Cavo Freno Motore	Cable, Thread Engine Brake	Cable Frein Moteur	Kabel, Motorbremse	(Ggp 140cc)
1	181000762/0	1	Cavo Freno Motore	Cable, Thread Engine Brake	Cable Frein Moteur	Kabel, Motorbremse	(Ggp 160cc)
1	81000705/0	1	Cavo Freno Motore	Cable, Thread Engine Brake	Cable Frein Moteur	Kabel, Motorbremse	(Ggp 150cc)
2	12154510/0	1	Dado	Nut	Ecrou	Mutter	
3	22551640/0	1	Piastrina	Plate	Plaquette	Plättchen	(GGP)
4	12727783/0	1	Vite	Screw	Vis	Schraube	
5	81006615/1	1	Manico, Parte Sup	Handle, Upper Part	Mancheron, Partie Superieure	Holm, Oberteil	
6	12645710/0	1	Spina	Pin	Goupille	Stift	
7	322321700/1	1	Leva Freno Motore	Lever, Eng. Brake	Levier Frein Moteur	Hebel, Motorbremse	



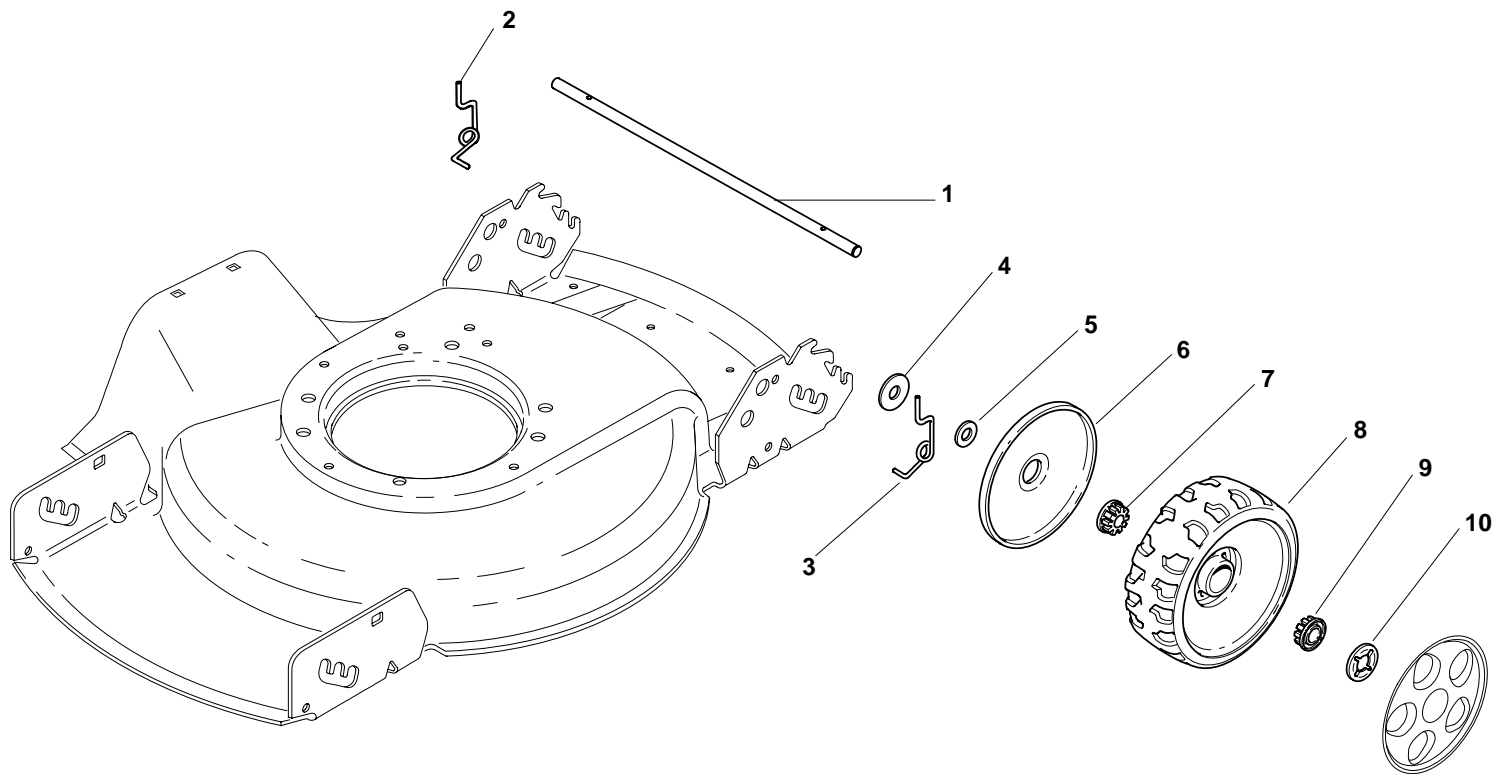
N.	CODE	Q.TY	DESCRIZIONE	DESCRIPTION	DESCRIPTION	BESCHREIBUNG	REMARK
1	81006618/1	1	Manico, Parte Sup	Handle, Upper Part	Mancheron, Partie Superieure	Holm, Oberteil	
2	81003298/1	1	Leva Freno Motore	Lever, Engine Brake	Levier Frein Moteur	Hebel, Motorbremse	
3	81000685/0	1	Cavo Freno Motore	Cable, Thread Engine Brake	Cable Frein Moteur	Kabel, Motorbremse	(B&S 450-500 Series)
3	81000685/0	1	Cavo Freno Motore	Cable, Thread Engine Brake	Cable Frein Moteur	Kabel, Motorbremse	(Ggp 150cc)
3	81000685/0	1	Cavo Freno Motore	Cable, Thread Engine Brake	Cable Frein Moteur	Kabel, Motorbremse	(Ggp 140cc)
3	81000685/0	1	Cavo Freno Motore	Cable, Thread Engine Brake	Cable Frein Moteur	Kabel, Motorbremse	(Ggp 160cc)
4	22551640/0	1	Piastrina	Plate	Plaquette	Plättchen	
5	12727783/0	1	Vite	Screw	Vis	Schraube	
6	12154510/0	1	Dado	Nut	Ecrou	Mutter	



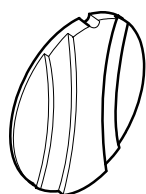
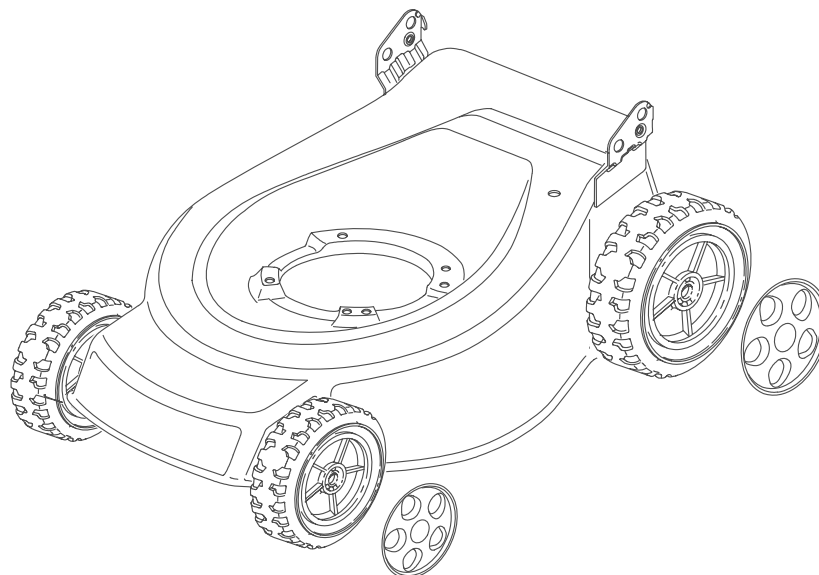
N.	CODE	Q.TY	DESCRIZIONE	DESCRIPTION	DESCRIPTION	BESCHREIBUNG	REMARK
1	12291000/0	1	Dado	Nut	Ecrou	Mutter	
2	12581500/0	1	Grower	Grower	Grower	Federring	
3	22171005/0	1	Distanziale	Spacer	Entretoise	Distanzring	
4	12521360/0	1	Rosetta	Washer	Rondelle	Scheibe	
5	12508100/0	1	Rosetta Elastica	Spring Washer	Rondelle Elastique	Elastische Scheibe	
6	81007220/0	1	Leva, Acceleratore	Lever, Throttle	Levier, Accelérateur	Hebel, Beshleuniger	(B&S 450-500 Series - Ggp 150 cc)
6	81007279/1	1	Leva, Acceleratore	Lever, Throttle	Levier, Accelérateur	Hebel, Beshleuniger	(B&S 625-675-700 Series - Honda - Ggp 140-160-196 cc)
7	81007080/0	1	Cavo Acceleratore	Throttle Cable	Cable, Accelérateur	Gashebel Kabel	
8	12815000/0	1	Vite	Screw	Vis	Schraube	
9	114356905/0	1	Etichetta	Label	Etiquette	Etikette	(B&S 700 series DOV)
9	114356905/0	1	Etichetta	Label	Etiquette	Etikette	(Honda GCV 160-190 Autochoke)
9	114364264/0	1	Etichetta	Label	Etiquette	Etikette	AVS (GGP 160-196)
9	14356702/0	1	Etichetta	Label	Etiquette	Etikette	(GGP)
9	14356702/0	1	Etichetta	Label	Etiquette	Etikette	(Honda)
9	14356703/0	1	Etichetta	Label	Etiquette	Etikette	(B&S)



N.	CODE	Q.TY	DESCRIZIONE	DESCRIPTION	DESCRIPTION	BESCHREIBUNG	REMARK
1	22033395/0	2	Asse	Axle	Axe	Achse	
2	22450442/0	2	Molla Dx	R Spring	Ressort D	Rechte Feder	
3	22450441/0	2	Molla Sx	L Spring	Ressort G	Linke Feder	
4	22671654/0	4	Rondella	Washer	Rondelle	Scheibe	
5	22671659/0	4	Rosetta	Washer	Rondelle	Scheibe	
6	22600095/0	4	Prot. Ruote	Protection, Wheel	Protection Roue	Schütz, Räder	
7	22034515/1	4	Bussola	Bush	Douille	Buchse	
8	22686091/1	4	Ruota Ø 165	Wheel Ø 165	Roue Ø 165	Rad Ø 165	
9	22034508/0	4	Bussola	Bush	Douille	Buchse	
10	22020050/0	4	Disco Elastico	Elastic Washer	Rondelle Elastique	Elastischescheibe	



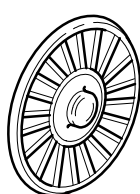
N.	CODE	Q.TY	DESCRIZIONE	DESCRIPTION	DESCRIPTION	BESCHREIBUNG	REMARK
1	22033395/0	2	Asse	Axle	Axe	Achse	
2	22450442/0	2	Molla Dx	R Spring	Ressort D	Rechte Feder	
3	22450441/0	2	Molla Sx	L Spring	Ressort G	Linke Feder	
4	22671654/0	4	Rondella	Washer	Rondelle	Scheibe	
5	22671659/0	4	Rosetta	Washer	Rondelle	Scheibe	
6	22600095/0	4	Prot. Ruote	Protection, Wheel	Protection Roue	Schütz, Räder	
7	22122200/0	8	Cuscinetto	Bearing	Coussinet	Lager	
8	22686091/1	4	Ruota Ø 165	Wheel Ø 165	Roue Ø 165	Rad Ø 165	
10	22020050/0	4	Disco Elastico	Elastic Washer	Rondelle Elastique	Elastischescheibe	
12	22430215/0	4	Molla	Spring	Ressort	Feder	



1



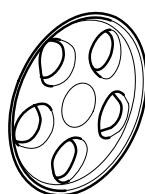
2



3



4



5



6

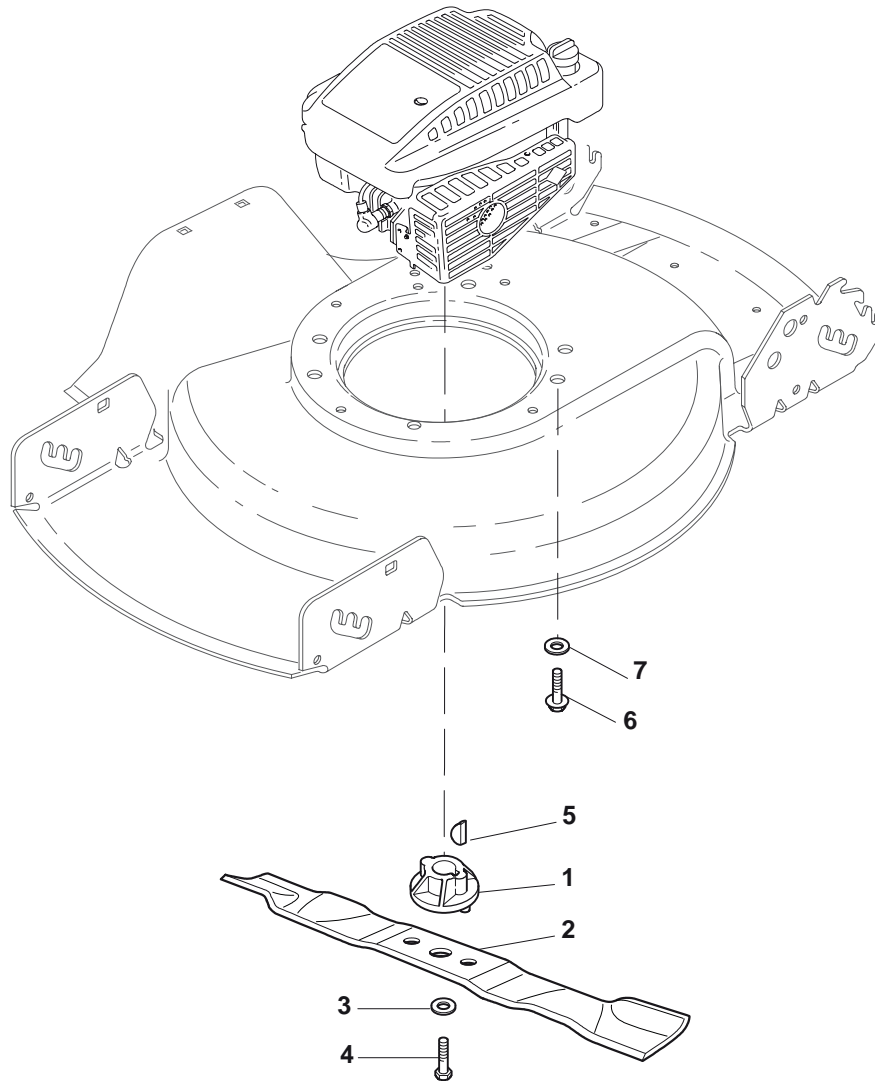


7



8

N.	CODE	Q.TY	DESCRIZIONE	DESCRIPTION	DESCRIPTION	BESCHREIBUNG	REMARK
1	22110252/1	4	Coprismozzo Bianco	Hub Cap White	Couvre-Moyeu	Radkappe Weiße	
1	22110254/1	4	Coprismozzo Giallo	Hub Cap Yellow	Couvre-Moyeu	Radkappe Gelbe	
1	22110255/1	4	Coprismozzo Rosso	Hub Cap Red	Couvre-Moyeu	Radkappe Rote	
1	22110381/0	4	Coprismozzo Grigio	Hub Cap Grey	Couvre-Moyeu Gris	Radkappe Grau	
2	22110344/0	4	Coprismozzo Bianco	Hub Cap White	Couvre-Moyeu	Radkappe Weiße	
2	22110395/0	4	Coprismozzo Grigio	Hub Cap Grey	Couvre-Moyeu Gris	Radkappe Grau	
3	22110347/0	4	Coprismozzo Grigio	Hub Cap Grey	Couvre-Moyeu Gris	Radkappe Grau	
4	22110381/0	4	Coprismozzo Grigio	Hub Cap Grey	Couvre-Moyeu Gris	Radkappe Grau	
5	22110416/0	4	Coprismozzo Grigio	Hub Cap Grey	Couvre-Moyeu Gris	Radkappe Grau	
6	22110491/0	4	Coprismozzo Grigio	Hub Cap Grey	Couvre-Moyeu Gris	Radkappe Grau	
7	22110493/0	4	Coprismozzo Grigio	Hub Cap Grey	Couvre-Moyeu Gris	Radkappe Grau	
8	22110495/0	4	Coprismozzo Grigio	Hub Cap Grey	Couvre-Moyeu Gris	Radkappe Grau	



N.	CODE	Q.TY	DESCRIZIONE	DESCRIPTION	DESCRIPTION	BESCHREIBUNG	REMARK
1	22465617/0	1	Mozzo	Hub	Moyeu	Halter	
2	81004124/1	1	Coltello Standard	Blade Standard	Lame Standard	Messer Standard	
3	12530140/0	1	Rosetta	Washer	Rondelle	Scheibe	
4	12735694/0	1	Vite	Screw	Vis	Schraube	
5	12139100/0	1	Linguetta, Albero Motore Ø 22.2	Feather, Crankshaft Ø 22.2	Clavette, Arbre Moteur Ø 22.2	Keil, Motorwelle Ø 22.2	
6	112735108/1	3	Vite	Screw	Vis	Schraube	
7	12521355/0	3	Rosetta	Washer	Rondelle	Scheibe	