

Genuine Spare Parts

CRL 484 - CSL 484

Catalogo delle parti di ricambio
Spare parts catalogue
Catalogue des pieces de rechange
Ersatzteilkatalog

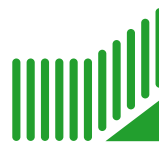
2011

- Use GLOBAL GARDEN PRODUCT Genuine Spare Parts specified in the parts list for repair and/or replacement.
- The contents described in the parts list may change due to improvement.
- The drawings of the spare parts are only indicative and might not represent the part in question exactly.
- The indications "right" - "left" - "front" - "rear" refer to the position of the operator when using the machine.
- When placing orders of parts for repair and/or replacement, make sure that the illustrated parts list is the one applying to the machine's year of manufacture, as shown on the identification plate attached to the machine.

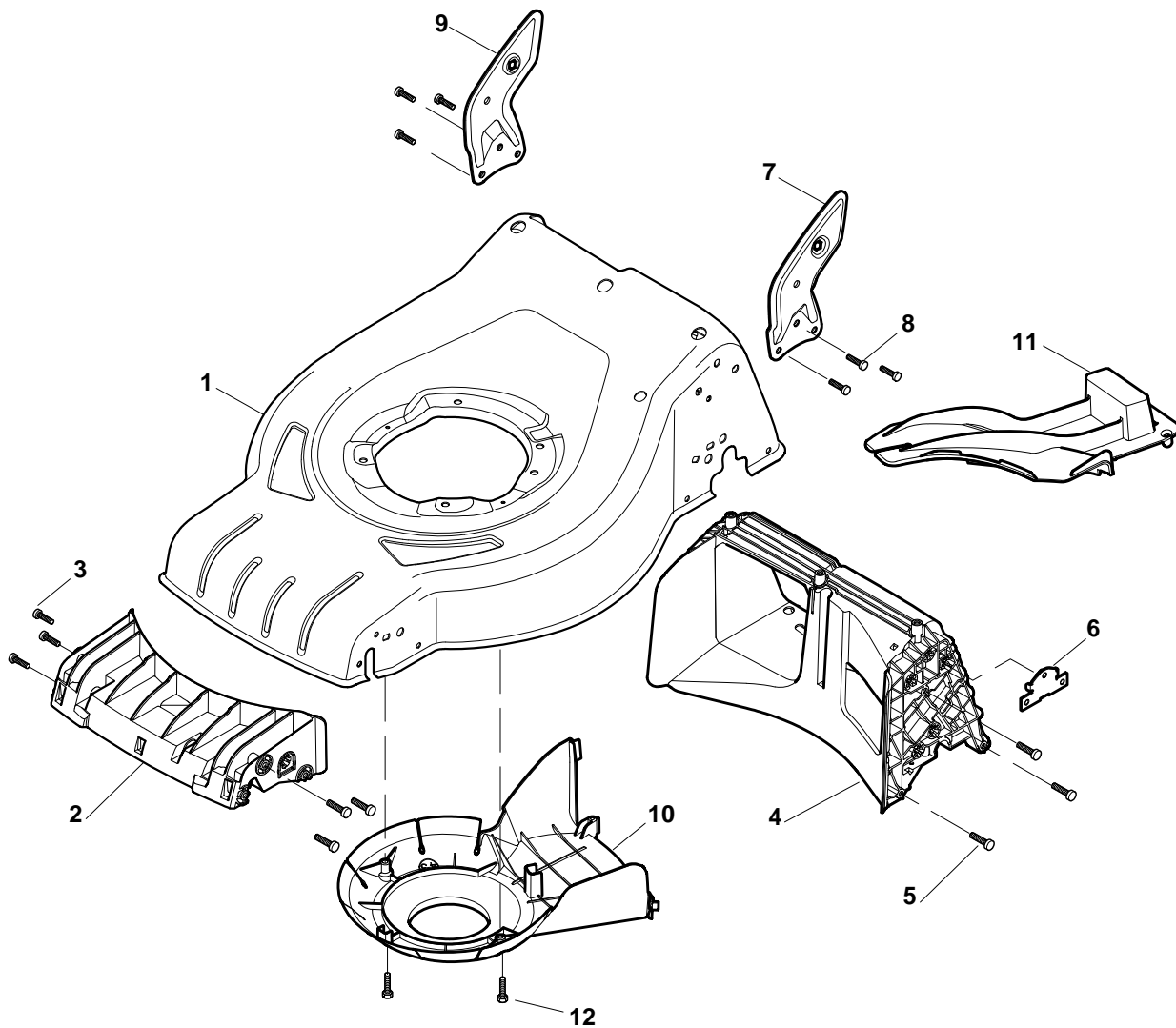
© Copyright 2011 Global Garden Products

All content is subject to copyright by Global Garden Products and may not be reproduced in whole or in part by any means, electronic or otherwise, without prior written approval.

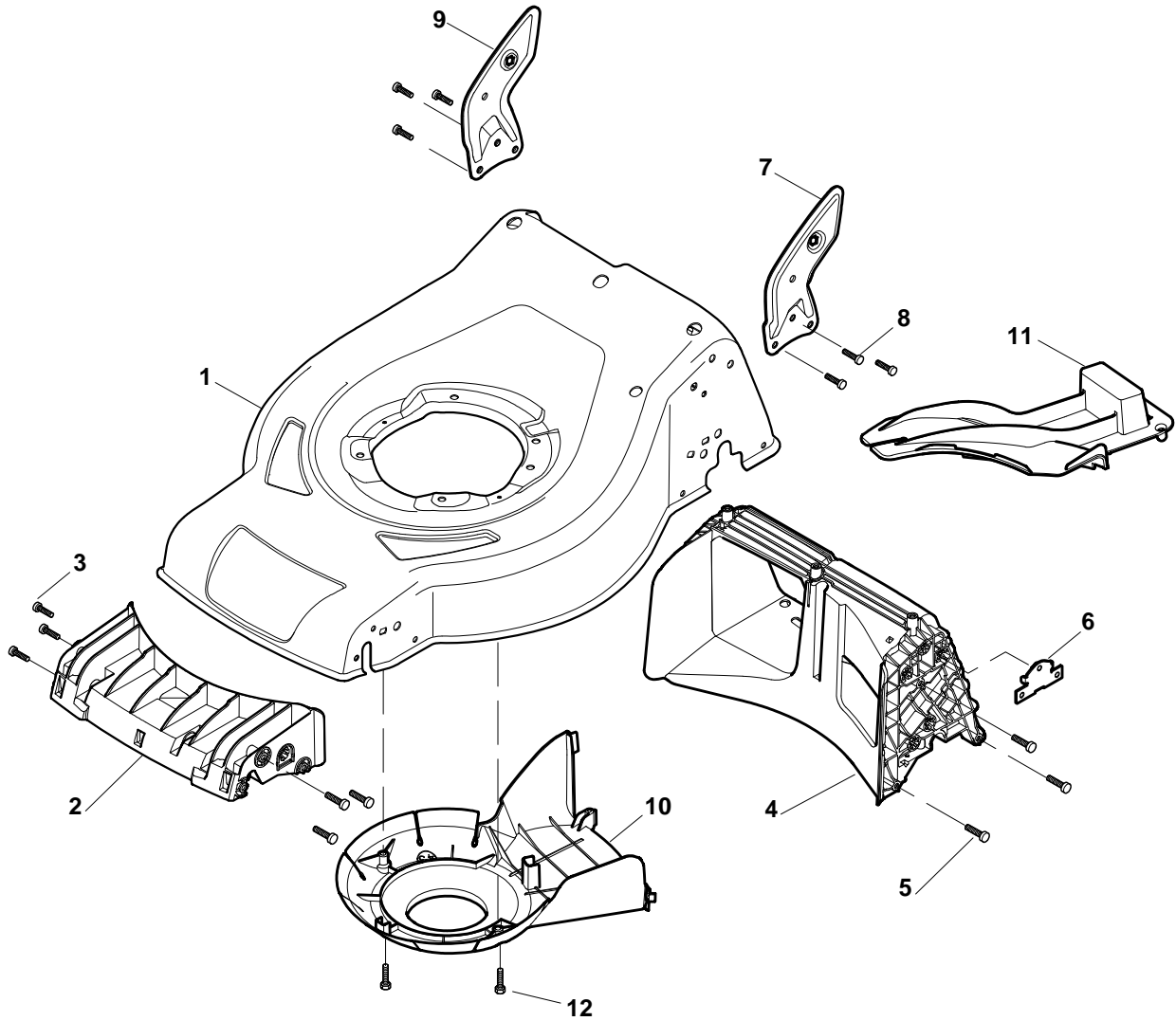
THIS INFORMATION IS NOT INTENDED FOR SALE OR RESALE, AND THIS NOTICE MUST REMAIN ON ALL COPIES.



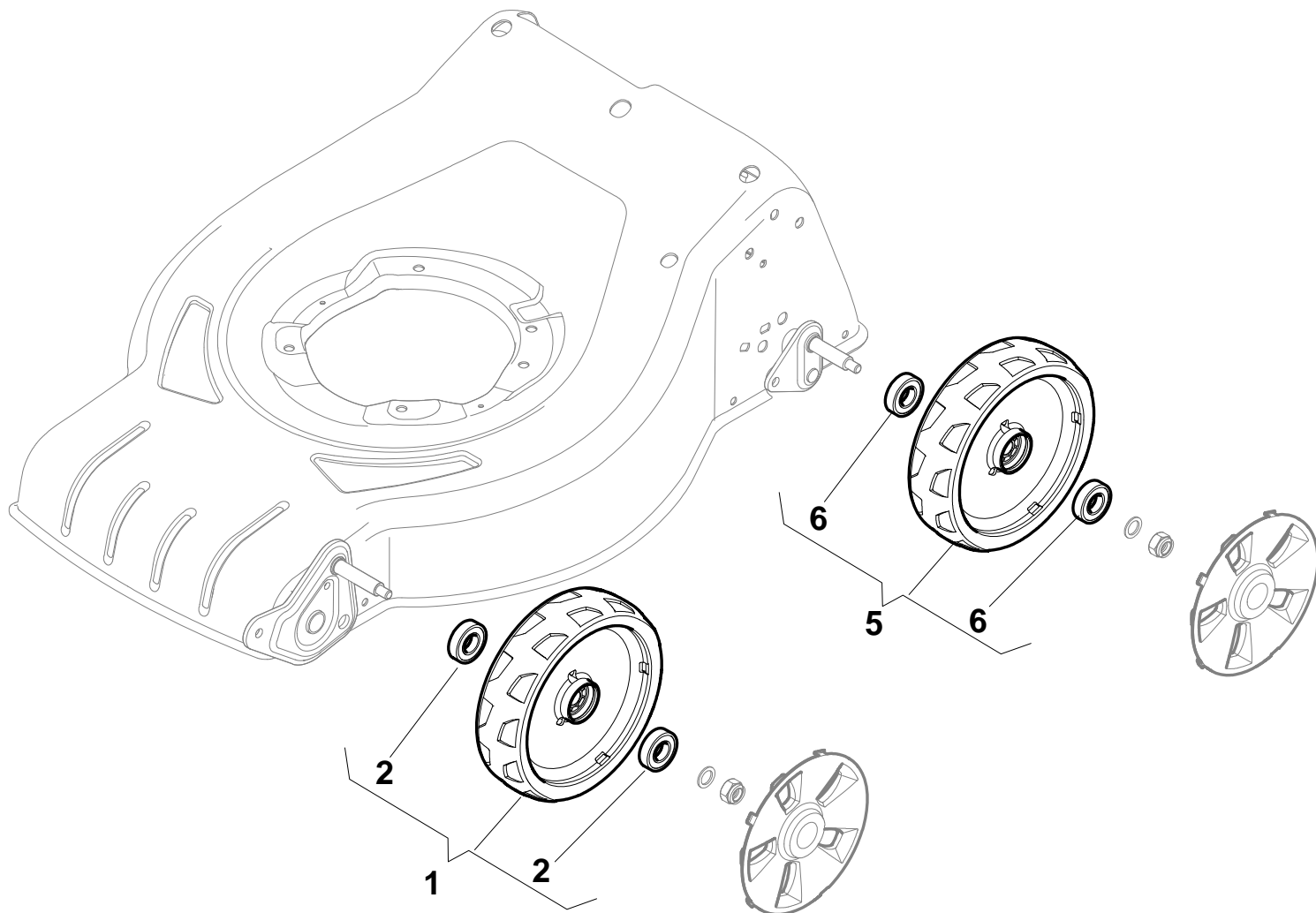
GLOBAL GARDEN PRODUCTS



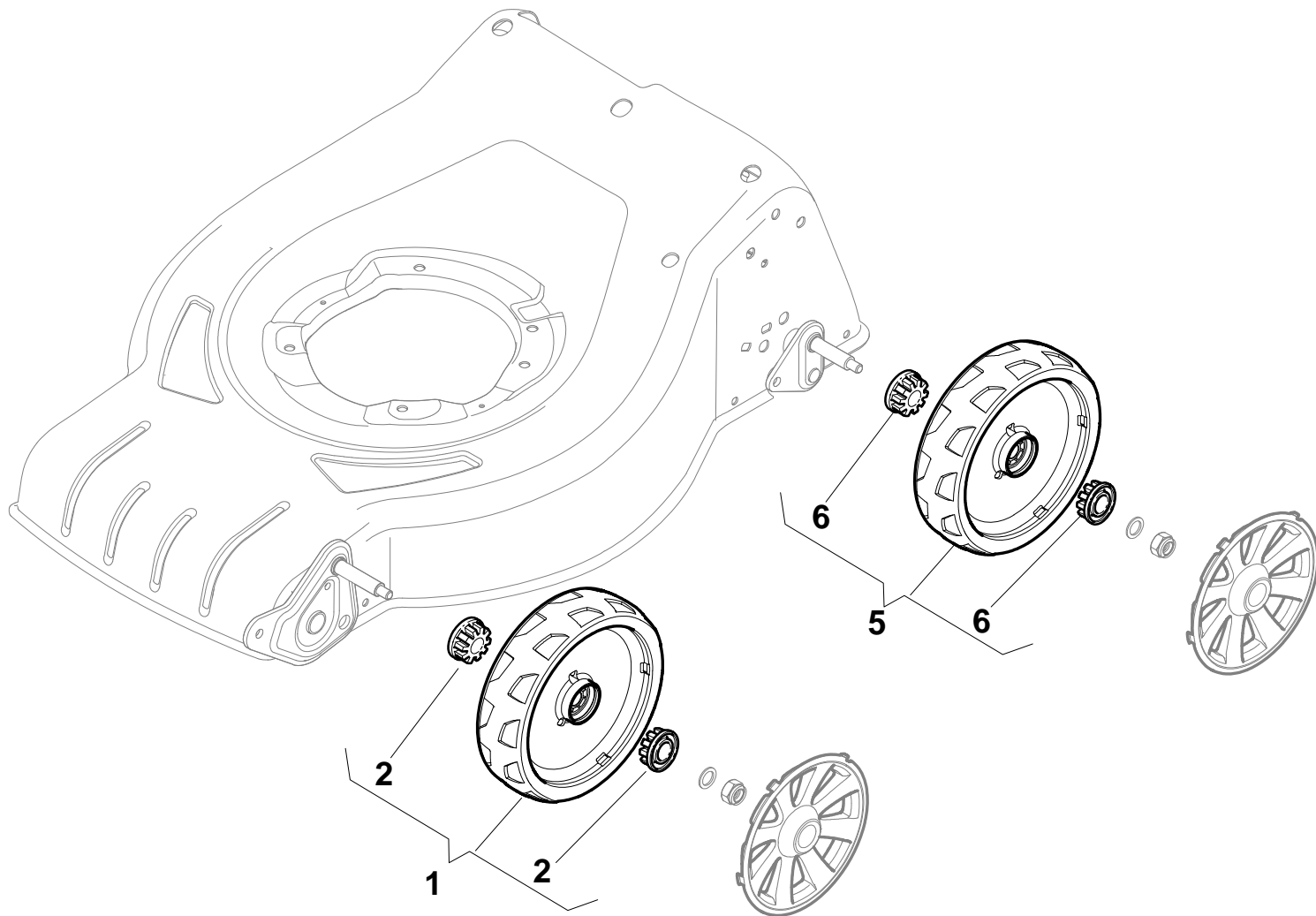
| N. | CODE | Q.TY | DESCRIZIONE | DESCRIPTION | DESCRIPTION | BESCHREIBUNG | REMARK |
|----|-------------|------|---------------------|---------------------|----------------------|-----------------------|--------|
| 1 | 381004018/0 | 1 | Chassis Rosso | Deck Red | Châssis Rouge | Gehäuse Rot | |
| 1 | 381004024/0 | 1 | Chassis Nero | Deck Black | Châssis Noir | Gehäuse Schwarz | |
| 2 | 322108301/0 | 1 | Convogl. Anteriore | Front Conveyor Assy | Ens. Convoyeur Avant | Hinterleitblechvorder | |
| 3 | 112728699/0 | 6 | Vite | Screw | Vis | Schraube | |
| 4 | 322108302/0 | 1 | Convogl. Posteriore | Rear Conveyor Assy | Ens. Convoyeur Post. | Hinterleitblechsatz | |
| 5 | 112728699/0 | 6 | Vite | Screw | Vis | Schraube | |
| 6 | 322545213/0 | 2 | Piastrina | Plate | Plaquette | Platte | |
| 7 | 381005139/0 | 1 | Staffa Sx | Bracket, L | Bride G | Pratze, Linke | |
| 8 | 112727801/0 | 6 | Vite | Screw | Vis | Schraube | |
| 9 | 381005137/0 | 1 | Staffa Dx | Bracket, R | Bride D | Pratze, Rechte | |
| 10 | 322060242/0 | 1 | Carter Cinghia | Protection, Belt | Protection Courroie | Schutz, Riemen | |
| 11 | 322140239/0 | 1 | Deflettore | Deflector | Deflecteur | Deflektor | |
| 12 | 12728530/0 | 2 | Vite | Screw | Vis | Schraube | |



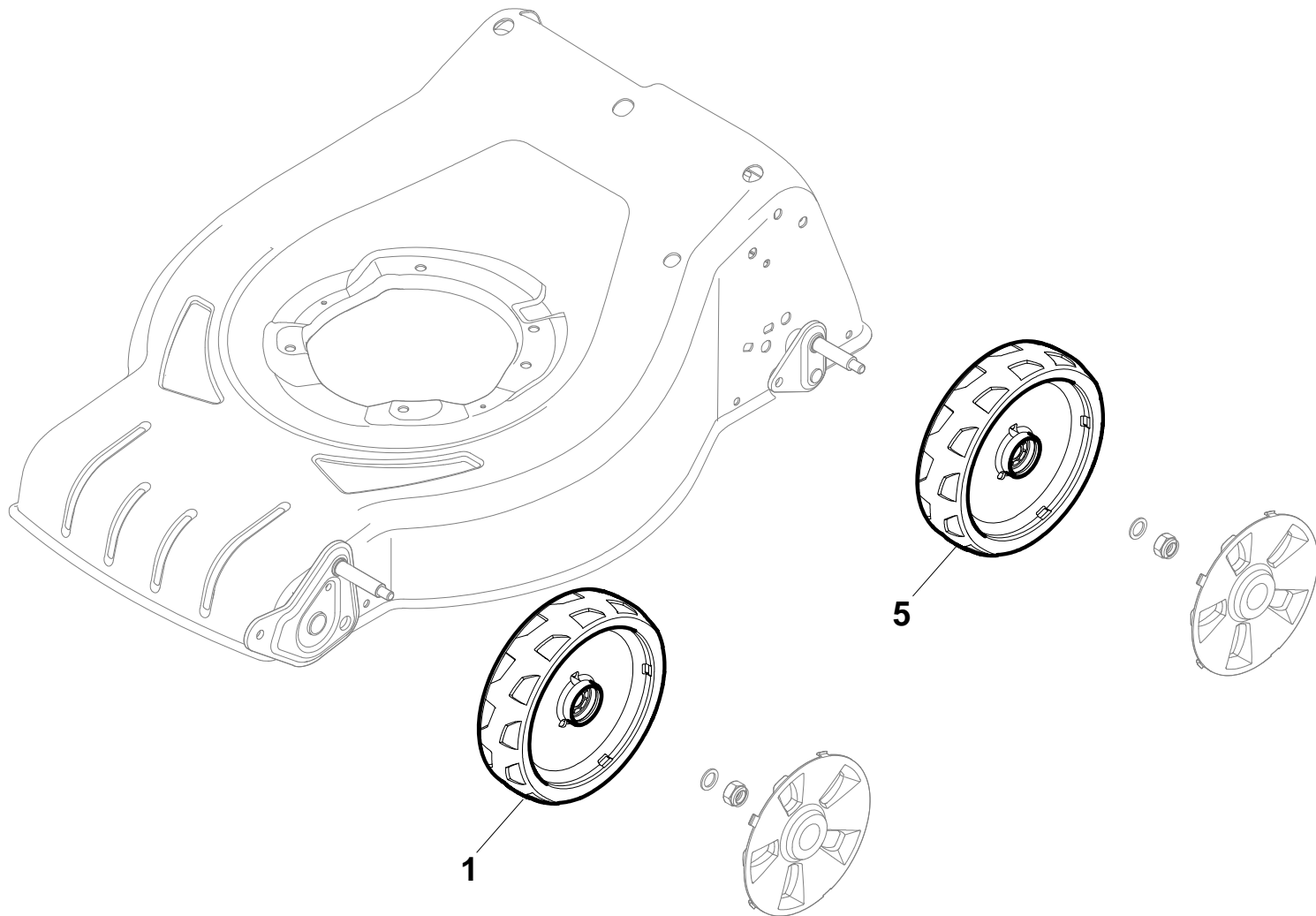
| N. | CODE | Q.TY | DESCRIZIONE | DESCRIPTION | DESCRIPTION | BESCHREIBUNG | REMARK |
|----|-------------|------|---------------------|---------------------|----------------------|-----------------------|--------|
| 1 | 381004020/0 | 1 | Chassis Rosso | Deck Red | Châssis Rouge | Gehäuse Rot | |
| 1 | 381004051/0 | 1 | Chassis Nero | Deck Black | Châssis Noir | Gehäuse Schwarz | |
| 2 | 322108301/0 | 1 | Convogl. Anteriore | Front Conveyor Assy | Ens. Convoyeur Avant | Hinterleitblechvorder | |
| 3 | 112728699/0 | 6 | Vite | Screw | Vis | Schraube | |
| 4 | 322108302/0 | 1 | Convogl. Posteriore | Rear Conveyor Assy | Ens. Convoyeur Post. | Hinterleitblechsatz | |
| 5 | 112728699/0 | 6 | Vite | Screw | Vis | Schraube | |
| 6 | 322545213/0 | 2 | Piastrina | Plate | Plaquette | Platte | |
| 7 | 381005139/0 | 1 | Staffa Sx | Bracket, L | Bride G | Pratze, Linke | |
| 8 | 112727801/0 | 6 | Vite | Screw | Vis | Schraube | |
| 9 | 381005137/0 | 1 | Staffa Dx | Bracket, R | Bride D | Pratze, Rechte | |
| 10 | 322060242/0 | 1 | Carter Cinghia | Protection, Belt | Protection Courroie | Schutz, Riemen | |
| 11 | 322140239/0 | 1 | Deflettore | Deflector | Deflecteur | Deflektor | |
| 12 | 12728530/0 | 2 | Vite | Screw | Vis | Schraube | |



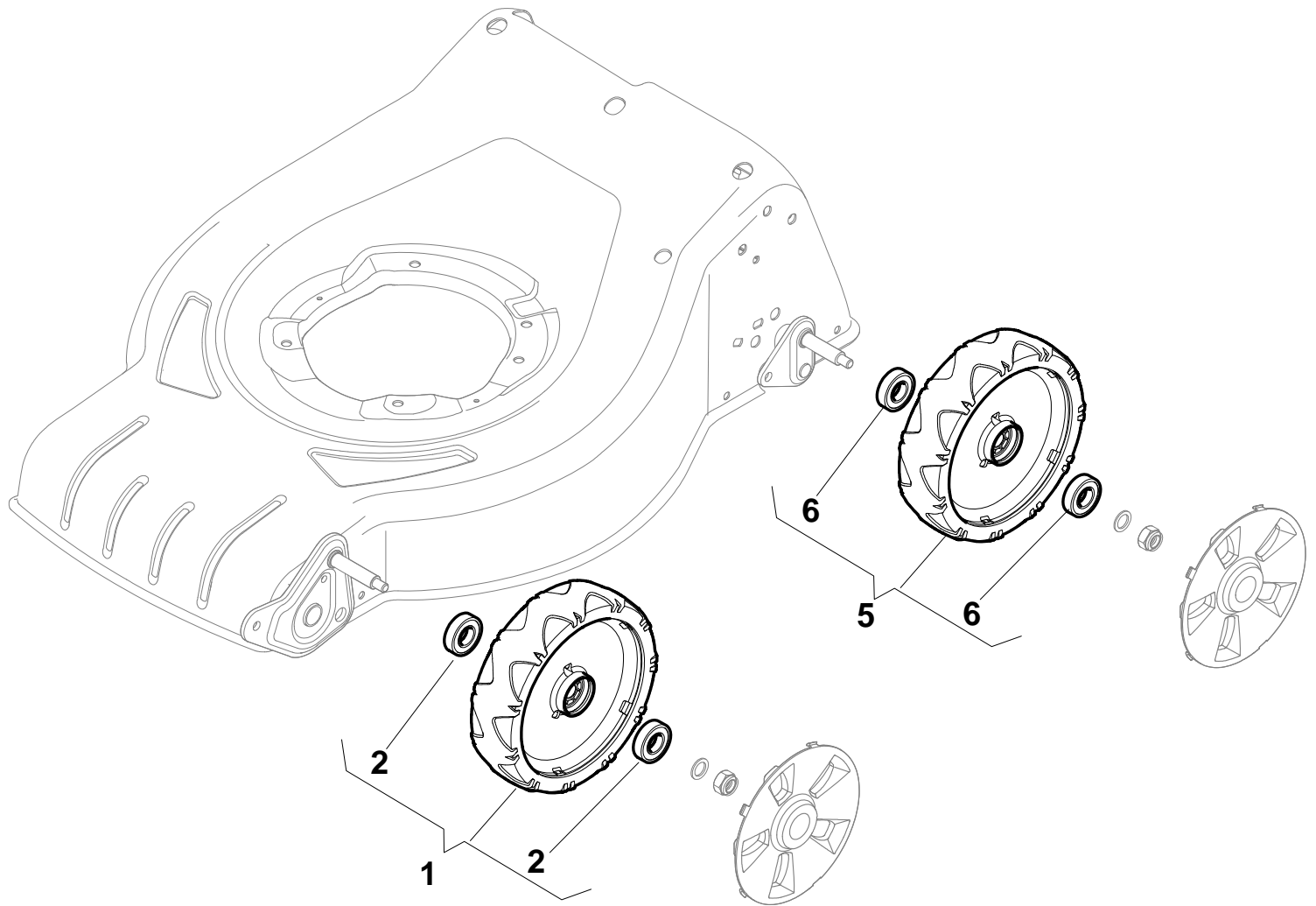
| N. | CODE | Q.TY | DESCRIZIONE | DESCRIPTION | DESCRIPTION | BESCHREIBUNG | REMARK |
|----|-------------|------|-------------|-------------|-------------|--------------|--------|
| 1 | 381007448/0 | 2 | Ruota Ø 180 | Wheel Ø 180 | Roue Ø 180 | Rad Ø 180 | |
| 2 | 19216035/0 | 4 | Cuscinetto | Bearing | Coussinet | Lager | |
| 5 | 381007448/0 | 2 | Ruota Ø 180 | Wheel Ø 180 | Roue Ø 180 | Rad Ø 180 | |
| 6 | 19216035/0 | 4 | Cuscinetto | Bearing | Coussinet | Lager | |



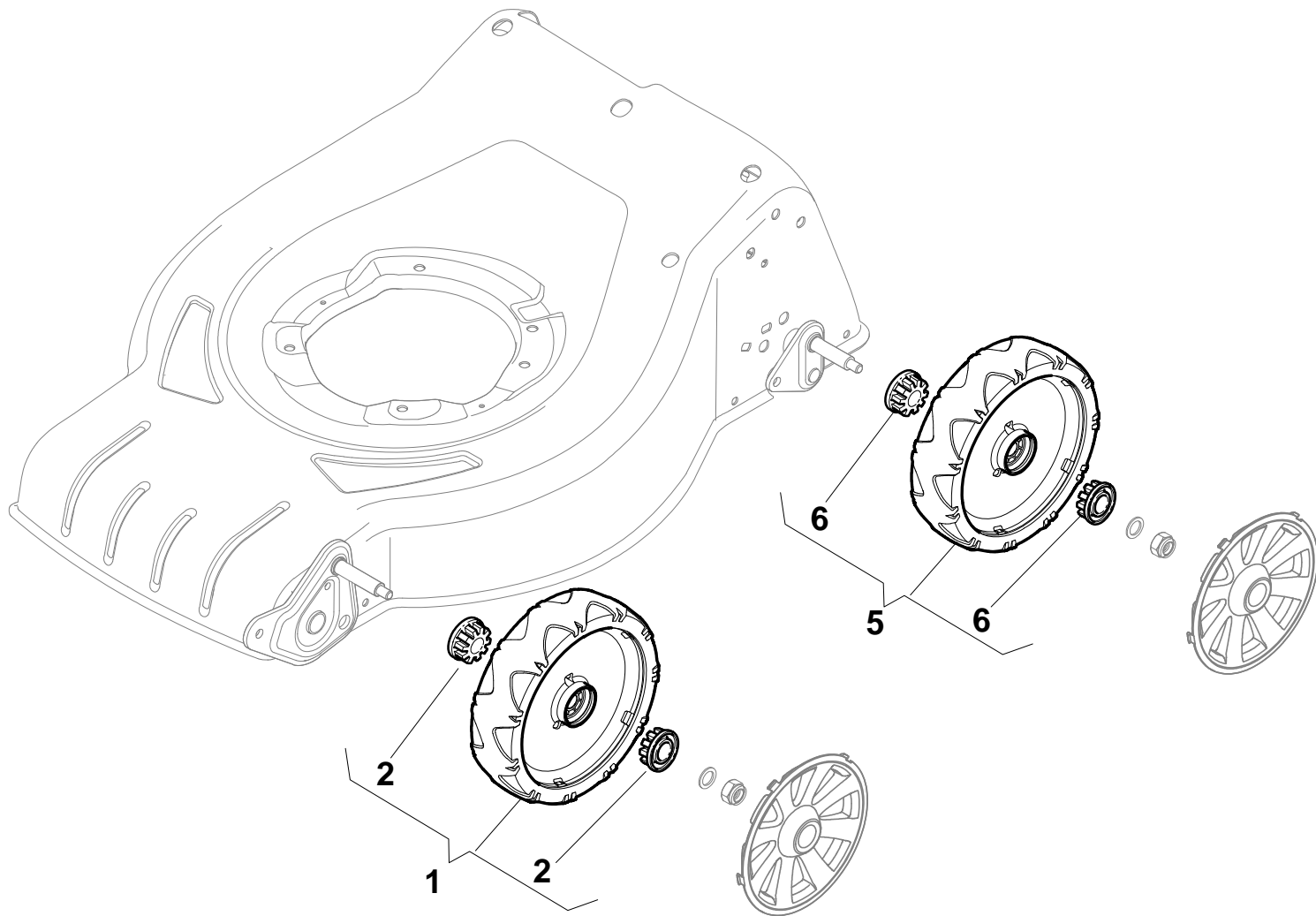
| N. | CODE | Q.TY | DESCRIZIONE | DESCRIPTION | DESCRIPTION | BESCHREIBUNG | REMARK |
|----|-------------|------|-------------|-------------|-------------|--------------|--------|
| 1 | 381007442/0 | 2 | Ruota Ø 180 | Wheel Ø 180 | Roue Ø 180 | Rad Ø 180 | |
| 2 | 322042064/0 | 4 | Bussola | Bush | Douille | Buchse | |
| 5 | 381007442/0 | 2 | Ruota Ø 180 | Wheel Ø 180 | Roue Ø 180 | Rad Ø 180 | |
| 6 | 322042064/0 | 4 | Bussola | Bush | Douille | Buchse | |



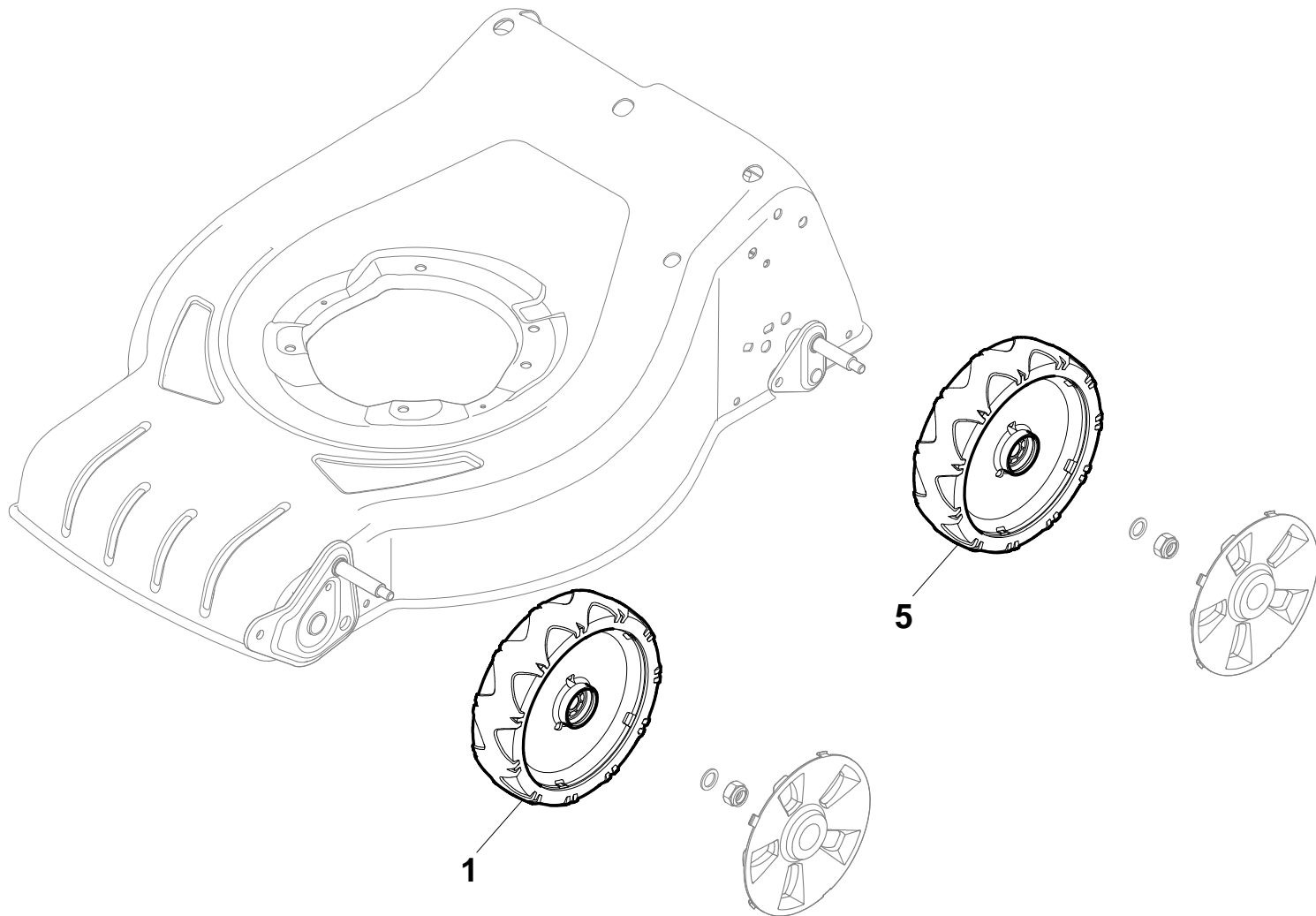
| N. | CODE | Q.TY | DESCRIZIONE | DESCRIPTION | DESCRIPTION | BESCHREIBUNG | REMARK |
|----|-------------|------|-------------|-------------|-------------|--------------|--------|
| 1 | 381007438/0 | 2 | Ruota Ø 180 | Wheel Ø 180 | Roue Ø 180 | Rad Ø 180 | |
| 5 | 381007438/0 | 2 | Ruota Ø 180 | Wheel Ø 180 | Roue Ø 180 | Rad Ø 180 | |



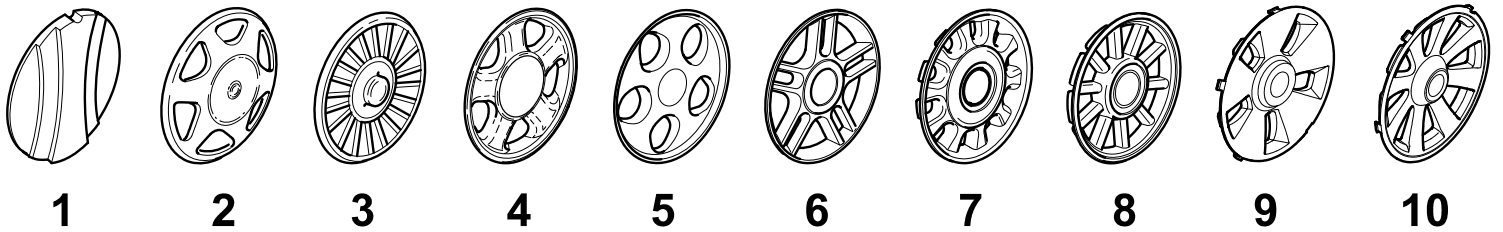
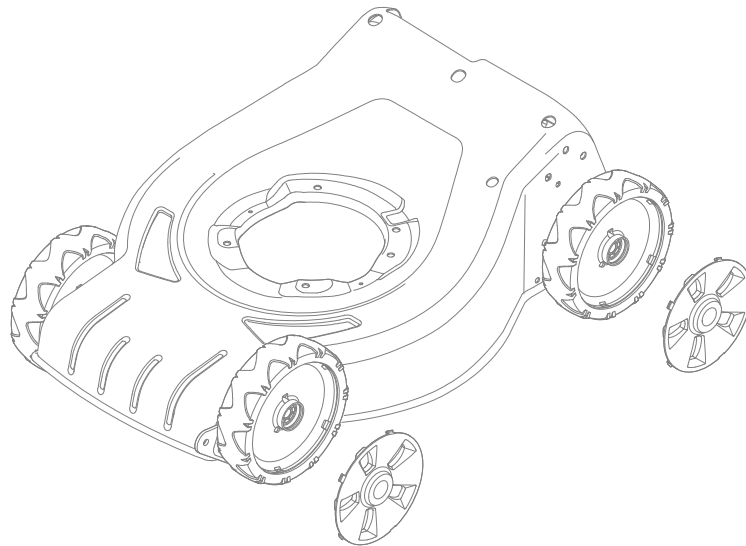
| N. | CODE | Q.TY | DESCRIZIONE | DESCRIPTION | DESCRIPTION | BESCHREIBUNG | REMARK |
|----|-------------|------|-------------|-------------|-------------|--------------|--------|
| 1 | 381007450/0 | 2 | Ruota Ø 180 | Wheel Ø 180 | Roue Ø 180 | Rad Ø 180 | |
| 2 | 19216035/0 | 4 | Cuscinetto | Bearing | Coussinet | Lager | |
| 5 | 381007450/0 | 2 | Ruota Ø 180 | Wheel Ø 180 | Roue Ø 180 | Rad Ø 180 | |
| 6 | 19216035/0 | 4 | Cuscinetto | Bearing | Coussinet | Lager | |



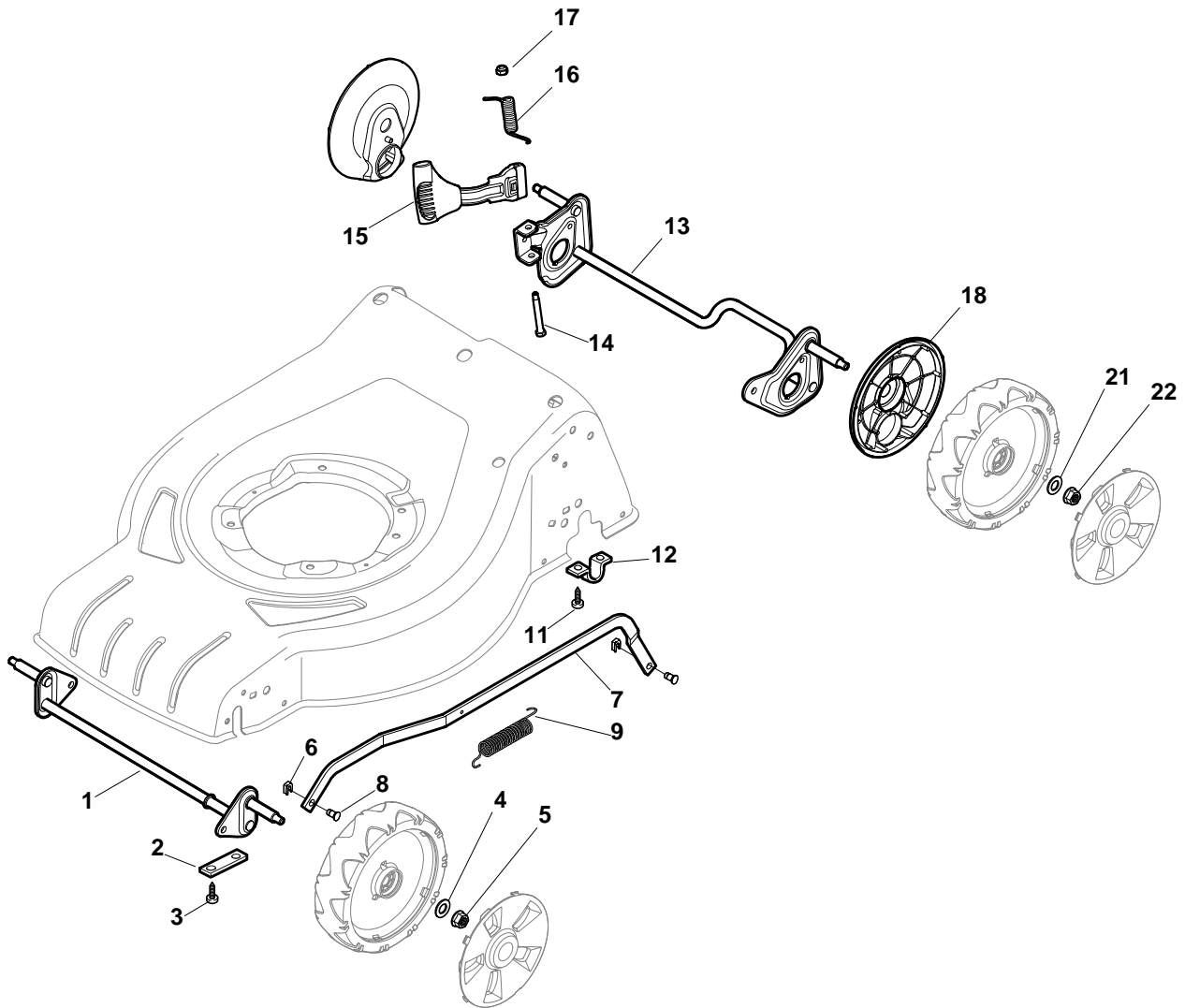
| N. | CODE | Q.TY | DESCRIZIONE | DESCRIPTION | DESCRIPTION | BESCHREIBUNG | REMARK |
|----|-------------|------|-------------|-------------|-------------|--------------|--------|
| 1 | 381007444/0 | 2 | Ruota Ø 180 | Wheel Ø 180 | Roue Ø 180 | Rad Ø 180 | |
| 2 | 322042064/0 | 4 | Bussola | Bush | Douille | Buchse | |
| 5 | 381007444/0 | 2 | Ruota Ø 180 | Wheel Ø 180 | Roue Ø 180 | Rad Ø 180 | |
| 6 | 322042064/0 | 4 | Bussola | Bush | Douille | Buchse | |



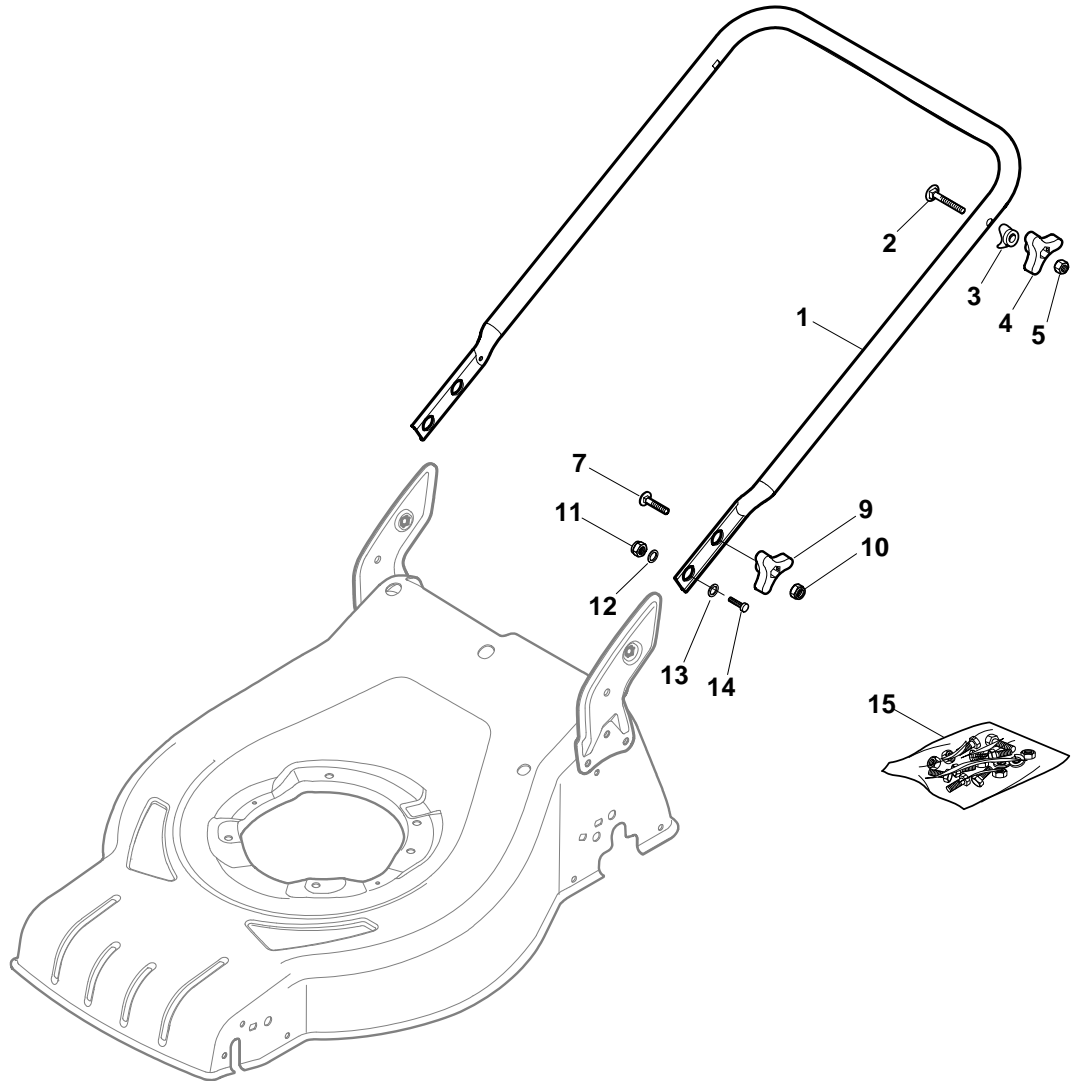
| N. | CODE | Q.TY | DESCRIZIONE | DESCRIPTION | DESCRIPTION | BESCHREIBUNG | REMARK |
|----|-------------|------|-------------|-------------|-------------|--------------|--------|
| 1 | 381007440/0 | 2 | Ruota Ø 180 | Wheel Ø 180 | Roue Ø 180 | Rad Ø 180 | |
| 5 | 381007440/0 | 2 | Ruota Ø 180 | Wheel Ø 180 | Roue Ø 180 | Rad Ø 180 | |



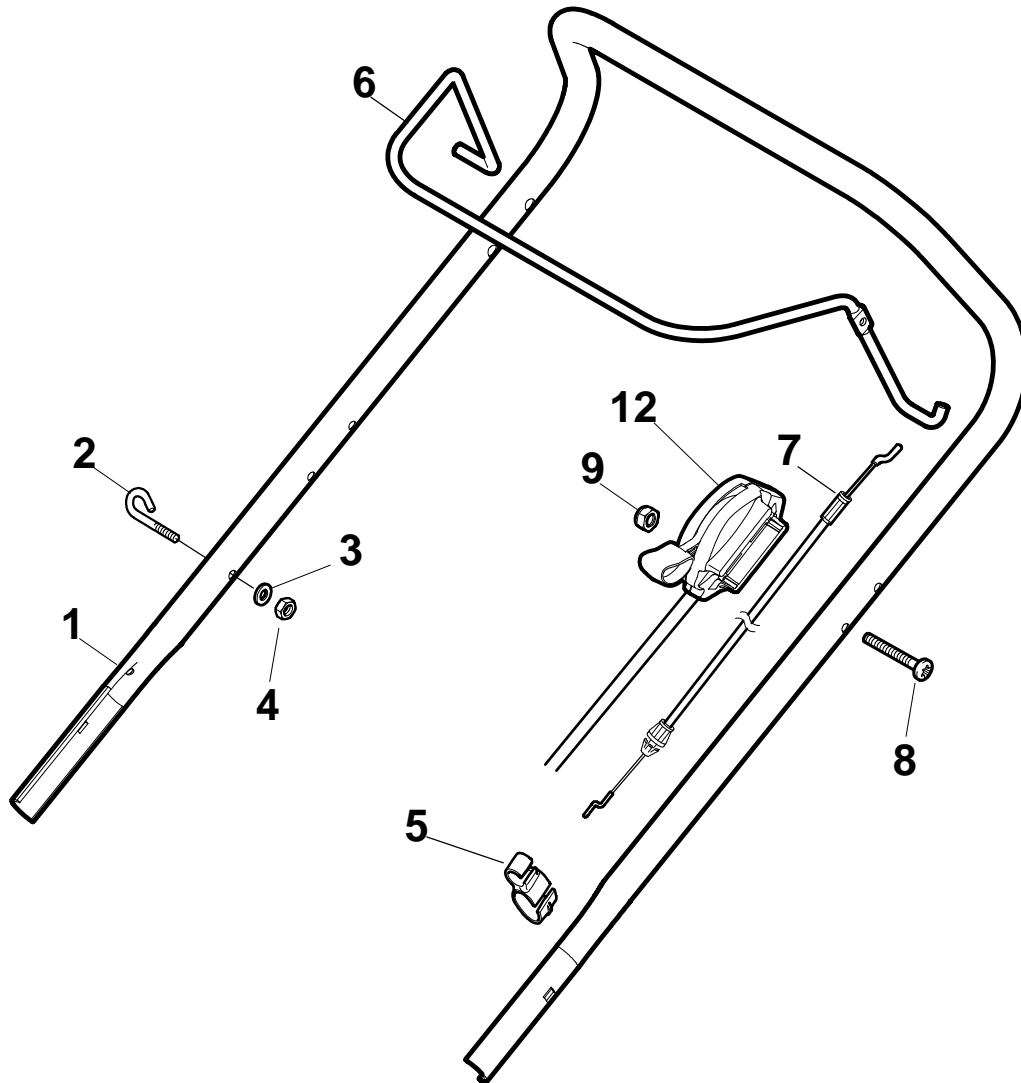
| N. | CODE | Q.TY | DESCRIZIONE | DESCRIPTION | DESCRIPTION | BESCHREIBUNG | REMARK |
|-----|-------------|------|-------------------|----------------|-------------------|----------------|--------|
| A1 | 22110252/1 | 4 | Coprimezzo Bianco | Hub Cap White | Couvre-Moyeu | Radkappe Weiße | |
| A1 | 22110254/1 | 4 | Coprimezzo Giallo | Hub Cap Yellow | Couvre-Moyeu | Radkappe Gelbe | |
| A1 | 22110255/1 | 4 | Coprimezzo Rosso | Hub Cap Red | Couvre-Moyeu | Radkappe Rote | |
| A1 | 22110381/0 | 4 | Coprimezzo Grigio | Hub Cap Grey | Couvre-Moyeu Gris | Radkappe Grau | |
| A2 | 22110344/0 | 4 | Coprimezzo Bianco | Hub Cap White | Couvre-Moyeu | Radkappe Weiße | |
| A2 | 22110395/0 | 4 | Coprimezzo Grigio | Hub Cap Grey | Couvre-Moyeu Gris | Radkappe Grau | |
| A3 | 22110347/0 | 4 | Coprimezzo Grigio | Hub Cap Grey | Couvre-Moyeu Gris | Radkappe Grau | |
| A4 | 22110381/0 | 4 | Coprimezzo Grigio | Hub Cap Grey | Couvre-Moyeu Gris | Radkappe Grau | |
| A5 | 22110416/0 | 4 | Coprimezzo Grigio | Hub Cap Grey | Couvre-Moyeu Gris | Radkappe Grau | |
| A6 | 22110491/0 | 4 | Coprimezzo Grigio | Hub Cap Grey | Couvre-Moyeu Gris | Radkappe Grau | |
| A7 | 22110493/0 | 4 | Coprimezzo Grigio | Hub Cap Grey | Couvre-Moyeu Gris | Radkappe Grau | |
| A8 | 22110495/0 | 4 | Coprimezzo Grigio | Hub Cap Grey | Couvre-Moyeu Gris | Radkappe Grau | |
| A9 | 322110636/0 | 4 | Coprimezzo Grigio | Hub Cap Grey | Couvre-Moyeu | Radkappe | |
| A10 | 322110638/0 | 4 | Coprimezzo Grigio | Hub Cap Grey | Couvre-Moyeu | Radkappe | |



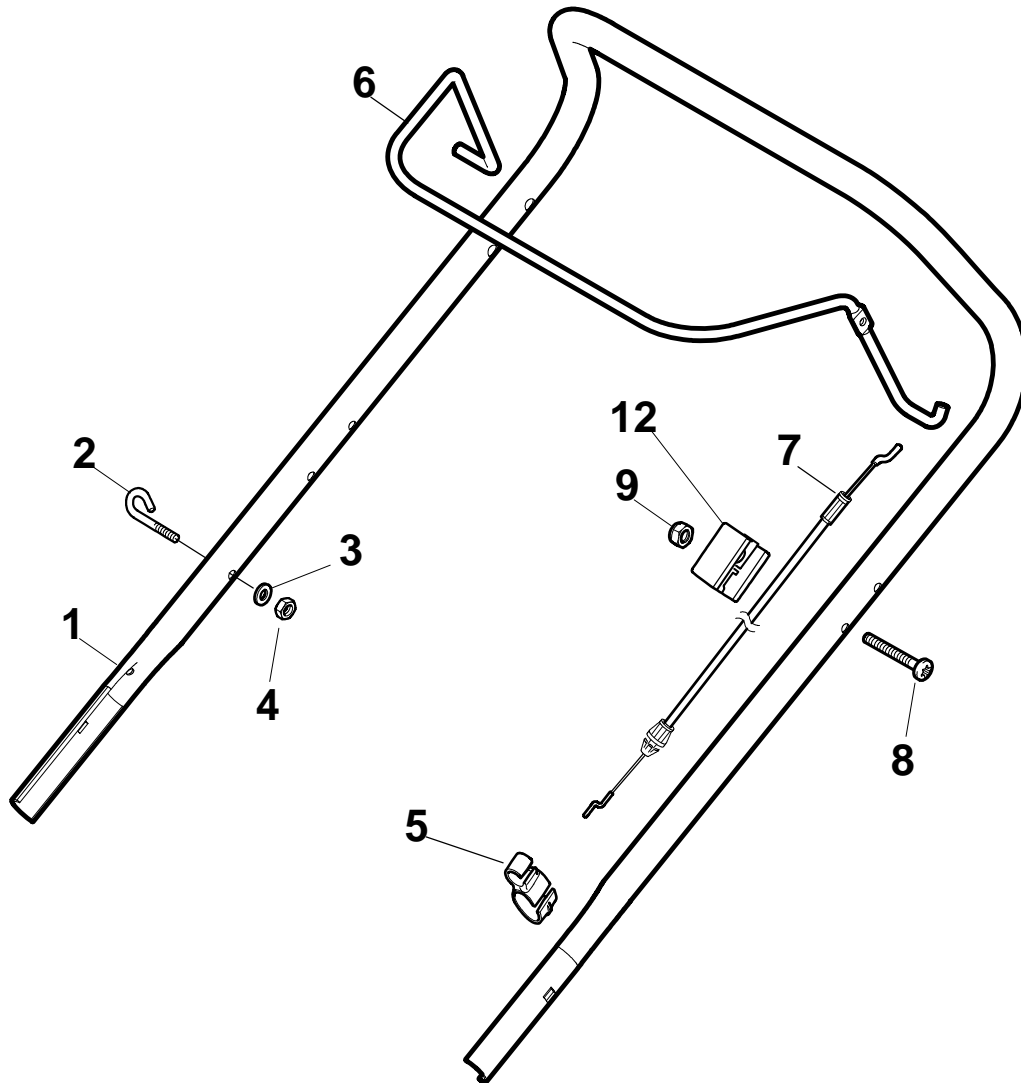
| N. | CODE | Q.TY | DESCRIZIONE | DESCRIPTION | DESCRIPTION | BESCHREIBUNG | REMARK |
|----|-------------|------|-----------------------------|--------------------------|-------------------------------|-------------------------|--------|
| 1 | 381302821/0 | 1 | Asse Ruote Anteriori | Axle, Front Wheels | Axe Roues Avant | Achse, Vorderrad | |
| 2 | 22545142/0 | 2 | Piastrina | Plate | Plaquette | Platte | |
| 3 | 112728698/0 | 4 | Vite | Screw | Vis | Schraube | |
| 4 | 12521350/0 | 2 | Rosetta | Washer | Rondelle | Scheibe | |
| 5 | 12155000/0 | 2 | Dado | Nut | Ecrou | Mutter | |
| 6 | 112436051/0 | 2 | Piastrina | Plate | Plaquette | Plättchen | |
| 7 | 322869671/0 | 1 | Asta Comando Regol. Altezza | Rod, Height Adjustment | Tige Commande Reglage Hauteur | Stange, Höheverstellung | |
| 8 | 122519820/0 | 2 | Perno | Pin | Pivot | Bolzen | |
| 9 | 122446193/0 | 1 | Molla | Spring | Ressort | Feder | |
| 11 | 112728698/0 | 4 | Vite | Screw | Vis | Schraube | |
| 12 | 22545152/0 | 2 | Piastrina | Plate | Plaquette | Platte | |
| 13 | 381302819/0 | 1 | Asse Ruote Posteriori | Axle, Rear Wheels | Axe Roues Arriere | Achse, Hinterrad | |
| 14 | 122534131/0 | 1 | Perno | Pin | Pivot | Bolzen | |
| 15 | 381003356/0 | 1 | Leva Regolazione Altezza | Lever, Height Adjustment | Levier, Reglage Hauteur | Hebel, Höheverstellung | |
| 16 | 122446192/0 | 1 | Molla | Spring | Ressort | Feder | |
| 17 | 12154510/0 | 1 | Dado | Nut | Ecrou | Mutter | |
| 18 | 322600204/0 | 2 | Prot. Ruote | Wheel Protection | Protection Roue | Schütz, Rechtes | |
| 21 | 12521350/0 | 2 | Rosetta | Washer | Rondelle | Scheibe | |
| 22 | 12155000/0 | 2 | Dado | Nut | Ecrou | Mutter | |



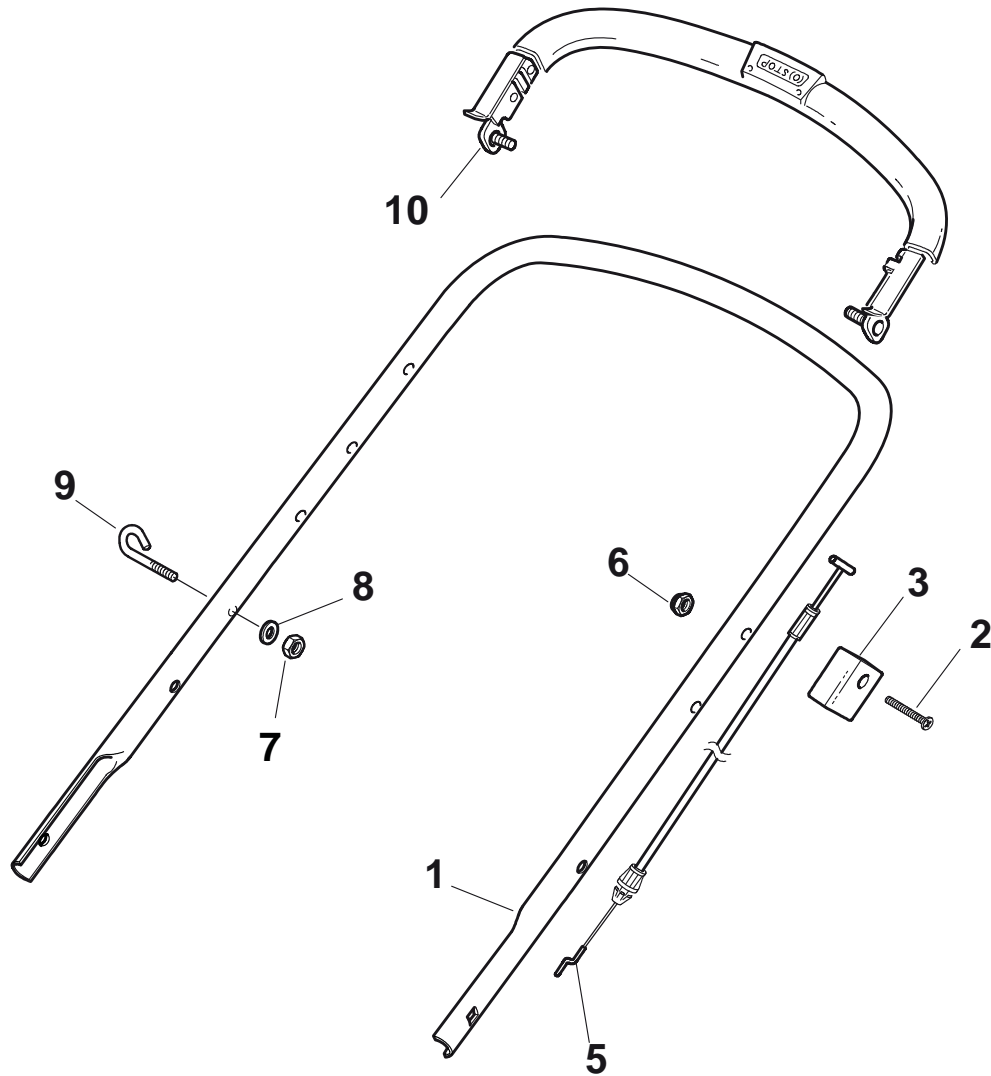
| N. | CODE | Q.TY | DESCRIZIONE | DESCRIPTION | DESCRIPTION | BESCHREIBUNG | REMARK |
|----|-------------|------|-------------------|--------------------|------------------------------|--------------------|--------|
| 1 | 381006737/0 | 1 | Manico, Parte Inf | Handle, Lower Part | Mancheron, Partie Inferieure | Holm, Unterteil | |
| 2 | 12819120/0 | 2 | Vite | Screw | Vis | Schraube | |
| 3 | 22680006/1 | 2 | Rosetta | Washer | Rondelle | Scheibe | |
| 4 | 22399900/0 | 2 | Manopolina | Knob | Poignée | Griff | |
| 5 | 12293200/0 | 2 | Dado | Nut | Ecrou | Mutter | |
| 7 | 12818900/0 | 2 | Vite | Screw | Vis | Schraube | |
| 9 | 22399900/0 | 2 | Manopolina | Knob | Poignée | Griff | |
| 10 | 12293200/0 | 2 | Dado | Nut | Ecrou | Mutter | |
| 11 | 12155000/0 | 2 | Dado | Nut | Ecrou | Mutter | |
| 12 | 12521350/0 | 2 | Rosetta | Washer | Rondelle | Scheibe | |
| 13 | 12369500/0 | 2 | Rosetta Elastica | Elastic Washer | Rondelle Elastique | Elastische Scheibe | |
| 14 | 12760605/0 | 2 | Vite | Screw | Vis | Schraube | |
| 15 | 381008691/0 | 1 | Dotazione Viteria | Outfit, Screws | Dotation Visserie | Satz, Schrauben | |



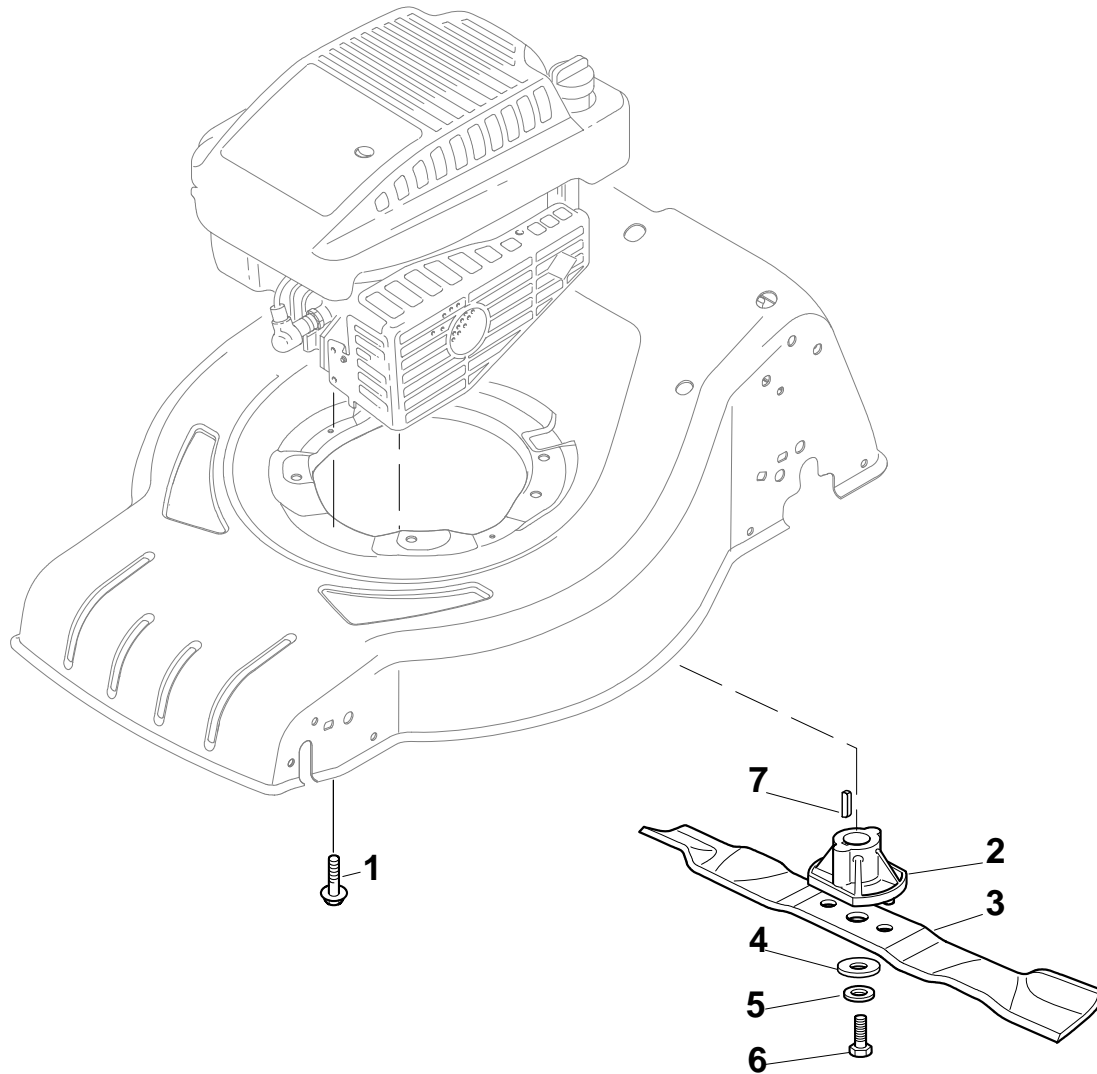
| N. | CODE | Q.TY | DESCRIZIONE | DESCRIPTION | DESCRIPTION | BESCHREIBUNG | REMARK |
|----|-------------|------|--|---|--|----------------------------------|--------|
| 1 | 381006739/0 | 1 | Manico, Parte Sup | Handle, Upper Part | Mancheron, Partie Superieure | Holm, Oberteil | |
| 1 | 381006745/0 | 1 | Manico, Parte Sup. con impugantura in spugna | Handle, Upper Part with sponge handgrip | Mancheron, Partie Superieure avec eponge poignée | Holm, Oberteil Handgriff Schwamm | |
| 2 | 22430313/0 | 1 | Molla Guida | Guide Spring | Ressort De Guide | Feder Führer | |
| 3 | 12521330/0 | 1 | Rosetta | Washer | Rondelle | Scheibe | |
| 4 | 12154510/0 | 1 | Dado | Nut | Ecrou | Mutter | |
| 5 | 118390020/0 | 1 | Fermacavo | Fairlead | Fixation Cable | Kabelbefestigung | |
| 6 | 181003363/1 | 1 | Leva Freno Motore | Lever, Engine Brake | Levier Frein Moteur | Hebel, Motorbremse | Black |
| 6 | 381003365/0 | 1 | Leva Freno Motore | Lever, Engine Brake | Levier Frein Moteur | Hebel, Motorbremse | Yellow |
| 6 | 381003376/0 | 1 | Leva Freno Motore | Lever, Engine Brake | Levier Frein Moteur | Hebel, Motorbremse | Red |
| 7 | 181030054/0 | 1 | Cavo Freno Motore | Cable, Thread Engine Brake | Cable Frein Moteur | Kabel, Motorbremse | GGP |
| 7 | 181030056/0 | 1 | Cavo Freno Motore | Cable, Thread Engine Brake | Cable Frein Moteur | Kabel, Motorbremse | GGP |
| 7 | 181030056/0 | 1 | Cavo Freno Motore | Cable, Thread Engine Brake | Cable Frein Moteur | Kabel, Motorbremse | B&S |
| 7 | 181030069/0 | 1 | Cavo Freno Motore | Cable, Thread Eng. Brake | Cable Frein Moteur | Kabel, Motorbremse | HONDA |
| 8 | 12727783/0 | 1 | Vite | Screw | Vis | Schraube | |
| 9 | 12154510/0 | 1 | Dado | Nut | Ecrou | Mutter | |
| 12 | 181005504/1 | 1 | Cavo Acceleratore | Throttle Cable | Cable, Accelérateur | Gashebel Kabel | GGP |
| 12 | 181005511/0 | 1 | Cavo Acceleratore | Throttle Cable | Cable, Accelérateur | Gashebel Kabel | |
| 12 | 181005517/0 | 1 | Cavo Acceleratore | Throttle Cable | Cable, Accelérateur | Gashebel Kabel | HONDA |
| 12 | 181005517/0 | 1 | Cavo Acceleratore | Throttle Cable | Cable, Accelérateur | Gashebel Kabel | GGP |



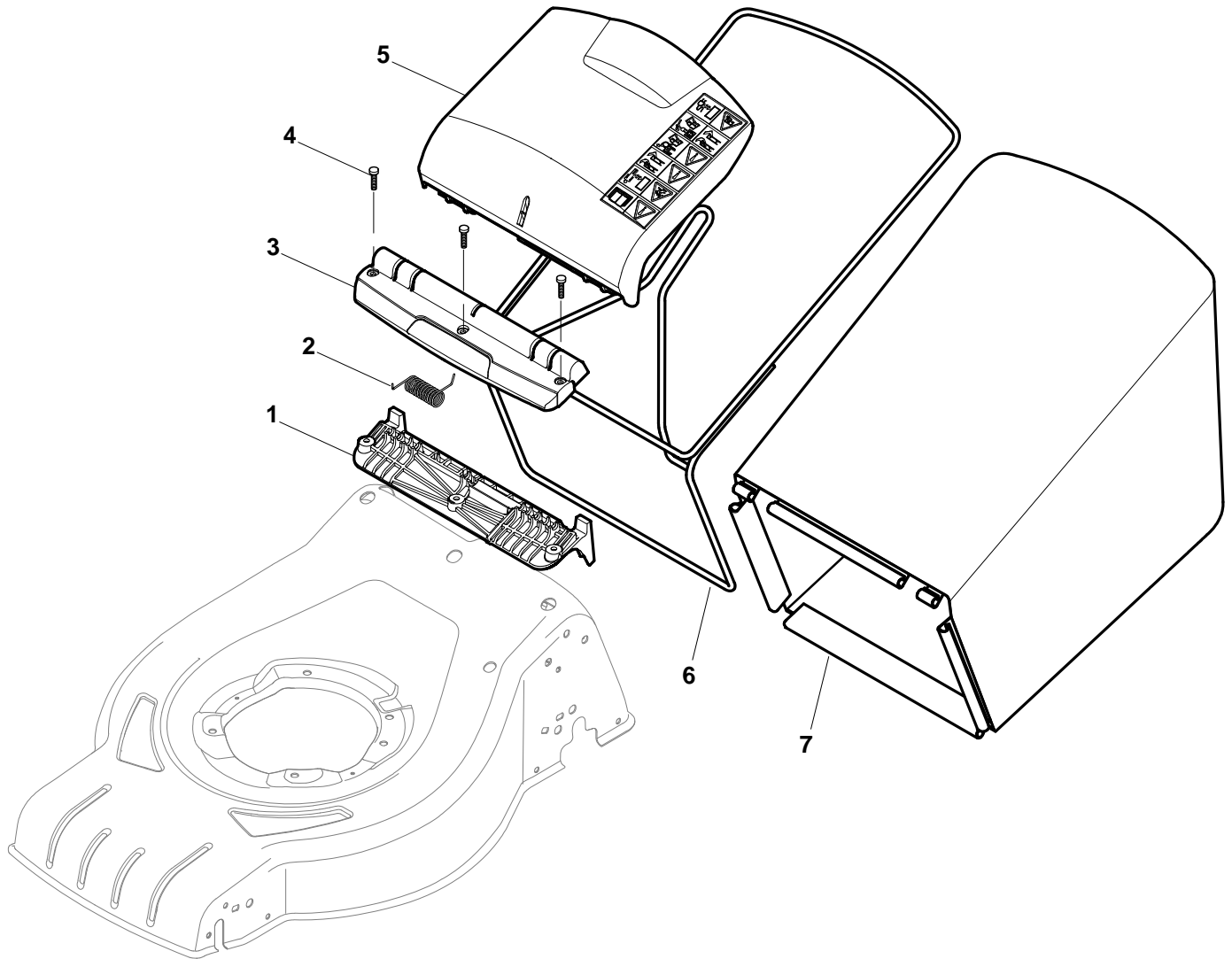
| N. | CODE | Q.TY | DESCRIZIONE | DESCRIPTION | DESCRIPTION | BESCHREIBUNG | REMARK |
|----|-------------|------|--|---|--|----------------------------------|--------|
| 1 | 381006739/0 | 1 | Manico, Parte Sup | Handle, Upper Part | Mancheron, Partie Superieure | Holm, Oberteil | |
| 1 | 381006745/0 | 1 | Manico, Parte Sup. con impugantura in spugna | Handle, Upper Part with sponge handgrip | Mancheron, Partie Superieure avec éponge poignée | Holm, Oberteil Handgriff Schwamm | |
| 2 | 22430313/0 | 1 | Molla Guida | Guide Spring | Ressort De Guide | Feder Führer | |
| 3 | 12521330/0 | 1 | Rosetta | Washer | Rondelle | Scheibe | |
| 4 | 12154510/0 | 1 | Dado | Nut | Ecrou | Mutter | |
| 5 | 118390020/0 | 1 | Fermacavo | Fairlead | Fixation Cable | Kabelbefestigung | |
| 6 | 181003363/1 | 1 | Leva Freno Motore | Lever, Engine Brake | Levier Frein Moteur | Hebel, Motorbremse | Black |
| 6 | 381003365/0 | 1 | Leva Freno Motore | Lever, Engine Brake | Levier Frein Moteur | Hebel, Motorbremse | Yellow |
| 6 | 381003376/0 | 1 | Leva Freno Motore | Lever, Engine Brake | Levier Frein Moteur | Hebel, Motorbremse | Red |
| 7 | 181030054/0 | 1 | Cavo Freno Motore | Cable, Thread Engine Brake | Cable Frein Moteur | Kabel, Motorbremse | GGP |
| 7 | 181030056/0 | 1 | Cavo Freno Motore | Cable, Thread Engine Brake | Cable Frein Moteur | Kabel, Motorbremse | B&S |
| 7 | 181030056/0 | 1 | Cavo Freno Motore | Cable, Thread Engine Brake | Cable Frein Moteur | Kabel, Motorbremse | GGP |
| 7 | 181030069/0 | 1 | Cavo Freno Motore | Cable, Thread Eng. Brake | Cable Frein Moteur | Kabel, Motorbremse | HONDA |
| 8 | 12727783/0 | 1 | Vite | Screw | Vis | Schraube | |
| 9 | 12154510/0 | 1 | Dado | Nut | Ecrou | Mutter | |
| 12 | 22551640/0 | 1 | Piastrina | Plate | Plaquette | Plättchen | |



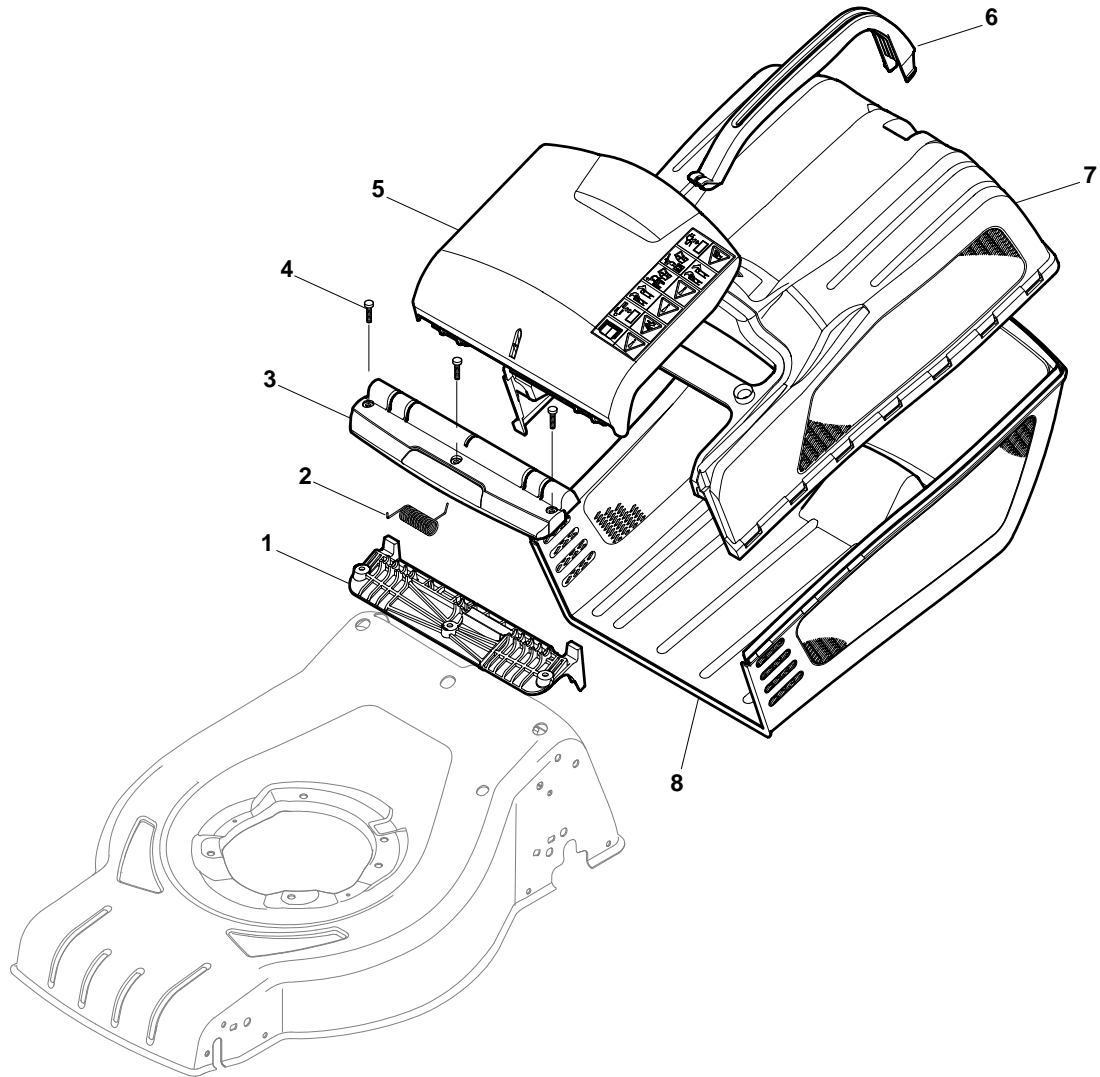
| N. | CODE | Q.TY | DESCRIZIONE | DESCRIPTION | DESCRIPTION | BESCHREIBUNG | REMARK |
|----|-------------|------|-------------------|----------------------------|------------------------------|--------------------|-------------|
| 1 | 81006979/2 | 1 | Manico, Parte Sup | Handle, Upper Part | Mancheron, Partie Superieure | Holm, Oberteil | |
| 2 | 12727787/0 | 1 | Vite | Screw | Vis | Schraube | |
| 3 | 22551640/0 | 1 | Piastrina | Plate | Plaquette | Plättchen | |
| 5 | 181030056/0 | 1 | Cavo Freno Motore | Cable, Thread Engine Brake | Cable Frein Moteur | Kabel, Motorbremse | (GGP 150cc) |
| 5 | 181030057/0 | 1 | Cavo Freno Motore | Cable, Thread Engine Brake | Cable Frein Moteur | Kabel, Motorbremse | |
| 6 | 12154510/0 | 1 | Dado | Nut | Ecrou | Mutter | |
| 7 | 12154510/0 | 1 | Dado | Nut | Ecrou | Mutter | |
| 8 | 12521330/0 | 1 | Rosetta | Washer | Rondelle | Scheibe | |
| 9 | 22430313/0 | 1 | Molla Guida | Guide Spring | Ressort De Guide | Feder Führer | |
| 10 | 381003330/0 | 1 | Leva Freno Motore | Lever, Engine Brake | Levier Frein Moteur | Hebel, Motorbremse | |



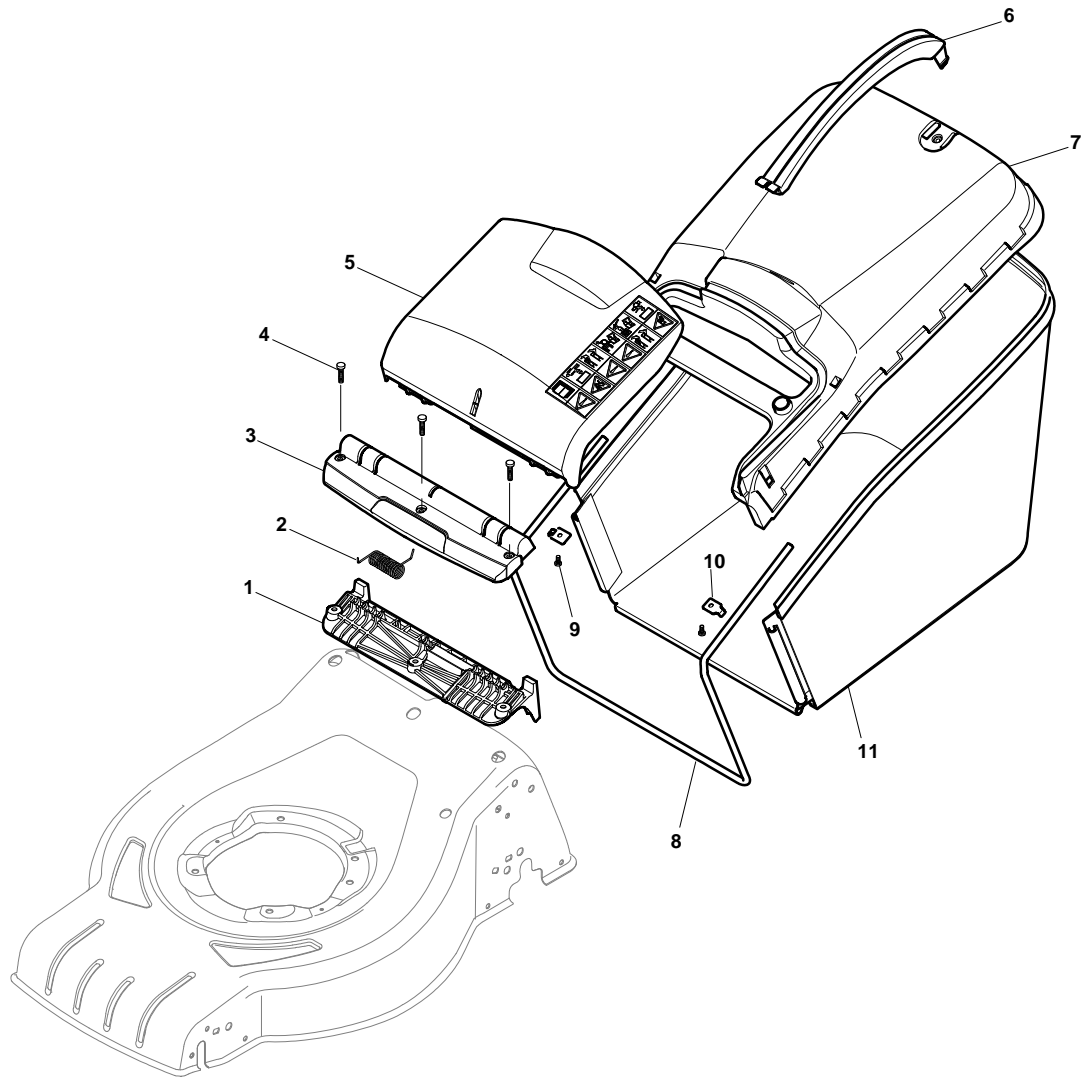
| N. | CODE | Q.TY | DESCRIZIONE | DESCRIPTION | DESCRIPTION | BESCHREIBUNG | REMARK |
|----|-------------|------|---------------------------------|----------------------------|-------------------------------|---------------------------|---------|
| 1 | 112735108/1 | 2 | Vite | Screw | Vis | Schraube | |
| 1 | 112735108/1 | 3 | Vite | Screw | Vis | Schraube | |
| 1 | 112735109/1 | 1 | Vite | Screw | Vis | Schraube | |
| 2 | 122463020/1 | 1 | Mozzo, Albero Motore Ø 25 | Hub, Crankshaft Ø 25 | Moyeu, Arbre Moteur Ø 25 | Halter, Motorwelle Ø 25 | HONDA |
| 2 | 22463012/2 | 1 | Mozzo, Albero Motore Ø 22.2 | Hub, Crankshaft Ø 22.2 | Moyeu, Arbre Moteur Ø 22.2 | Halter, Motorwelle Ø 22.2 | B&S-GGP |
| 3 | 81004346/3 | 1 | Coltello Standard | Blade Standard | Lame Standard | Messer Standard | 484 |
| 4 | 22160400/0 | 1 | Disco Elastico | Elastic Washer | Rondelle Elastique | Elastischescheibe | |
| 5 | 12523080/0 | 1 | Rosetta | Washer | Rondelle | Scheibe | |
| 6 | 12735698/0 | 1 | Vite | Screw | Vis | Schraube | |
| 7 | 12139100/0 | 1 | Linguetta, Albero Motore Ø 22.2 | Feather, Crankshaft Ø 22.2 | Clavette, Arbre Moteur Ø 22.2 | Keil, Motorwelle Ø 22.2 | B&S-GGP |
| 7 | 12139150/0 | 1 | Linguetta, Albero Motore Ø 25 | Feather, Crankshaft Ø 25 | Clavette, Arbre Moteur Ø 25 | Keil, Motorwelle Ø 25 | HONDA |



| N. | CODE | Q.TY | DESCRIZIONE | DESCRIPTION | DESCRIPTION | BESCHREIBUNG | REMARK |
|----|-------------|------|--------------|-------------|--------------|--------------|--------|
| 1 | 322785331/0 | 1 | Supporto | Support | Support | Halter | |
| 2 | 122450464/0 | 1 | Molla | Spring | Ressort | Feder | |
| 3 | 322109556/0 | 1 | Copertura | Cover | Couvre | Kappe | Yellow |
| 3 | 322109557/0 | 1 | Copertura | Cover | Couvre | Kappe | Grey |
| 4 | 112728699/0 | 3 | Vite | Screw | Vis | Schraube | |
| 5 | 322600214/0 | 1 | Parasassi | Stone-Guard | Pare-Pierres | Prallblech | Yellow |
| 5 | 322600216/0 | 1 | Parasassi | Stone-Guard | Pare-Pierres | Prallblech | Grey |
| 6 | 181006409/0 | 1 | Telaio Sacco | Chassis Box | Châssis Bac | Rahmen Sack | |
| 7 | 181002319/0 | 1 | Sacco, Tela | Box, Fabric | Sac, Toile | Sack, Tuck | |



| N. | CODE | Q.TY | DESCRIZIONE | DESCRIPTION | DESCRIPTION | BESCHREIBUNG | REMARK |
|----|-------------|------|--------------------|---------------------|------------------------|----------------|--------|
| 1 | 322785331/0 | 1 | Supporto | Support | Support | Halter | |
| 2 | 122450464/0 | 1 | Molla | Spring | Ressort | Feder | |
| 3 | 322109556/0 | 1 | Copertura | Cover | Couvre | Kappe | Yellow |
| 3 | 322109557/0 | 1 | Copertura | Cover | Couvre | Kappe | Grey |
| 4 | 112728699/0 | 3 | Vite | Screw | Vis | Schraube | |
| 5 | 322600214/0 | 1 | Parasassi | Stone-Guard | Pare-Pierres | Prallblech | Yellow |
| 5 | 322600216/0 | 1 | Parasassi | Stone-Guard | Pare-Pierres | Prallblech | Grey |
| 6 | 322393645/0 | 1 | Maniglia | Handle | Poignée | Griff | |
| 7 | 322486263/0 | 1 | Parte Sup.Sacco | Grassbox Upper Part | Sac, Partie Superieure | Korb Oberteil | |
| 8 | 322486267/0 | 1 | Parte Infer. Sacco | Grassbox Lower Part | Sac, Partie Inferieure | Korb Unterteil | |



| N. | CODE | Q.TY | DESCRIZIONE | DESCRIPTION | DESCRIPTION | BESCHREIBUNG | REMARK |
|----|-------------|------|-----------------|---------------------|------------------------|---------------|--------|
| 1 | 322785331/0 | 1 | Supporto | Support | Support | Halter | |
| 2 | 122450464/0 | 1 | Molla | Spring | Ressort | Feder | |
| 3 | 322109556/0 | 1 | Copertura | Cover | Couvre | Kappe | Yellow |
| 3 | 322109557/0 | 1 | Copertura | Cover | Couvre | Kappe | Grey |
| 4 | 112728699/0 | 3 | Vite | Screw | Vis | Schraube | |
| 5 | 322600214/0 | 1 | Parasassi | Stone-Guard | Pare-Pierres | Prallblech | Yellow |
| 5 | 322600216/0 | 1 | Parasassi | Stone-Guard | Pare-Pierres | Prallblech | Grey |
| 6 | 322393646/0 | 1 | Maniglia | Handle | Poignée | Griff | |
| 6 | 322393649/0 | 1 | Maniglia | Handle | Poignée | Griff | |
| 7 | 322486264/0 | 1 | Parte Sup.Sacco | Grassbox Upper Part | Sac, Partie Superieure | Korb Oberteil | |
| 7 | 322486270/0 | 1 | Parte Sup.Sacco | Grassbox Upper Part | Sac, Partie Superieure | Korb Oberteil | |
| 8 | 122608561/0 | 1 | Rinforzo Inf | Stiffening Lower | Réinforcement Inf | Verstärkung | |
| 9 | 322545159/0 | 2 | Piastrina | Plate | Plaquette | Plättchen | |
| 10 | 12728692/0 | 2 | Vite | Screw | Vis | Schraube | |
| 11 | 181002318/0 | 1 | Sacco, Tela | Box, Fabric | Sac, Toile | Sack, Tuck | |