

Genuine Spare Parts

CAL 534

Catalogo delle parti di ricambio
Spare parts catalogue
Catalogue des pieces de rechange
Ersatzteilkatalog

2011

- Use GLOBAL GARDEN PRODUCT Genuine Spare Parts specified in the parts list for repair and/or replacement.
- The contents described in the parts list may change due to improvement.
- The drawings of the spare parts are only indicative and might not represent the part in question exactly.
- The indications "right" - "left" - "front" - "rear" refer to the position of the operator when using the machine.
- When placing orders of parts for repair and/or replacement, make sure that the illustrated parts list is the one applying to the machine's year of manufacture, as shown on the identification plate attached to the machine.

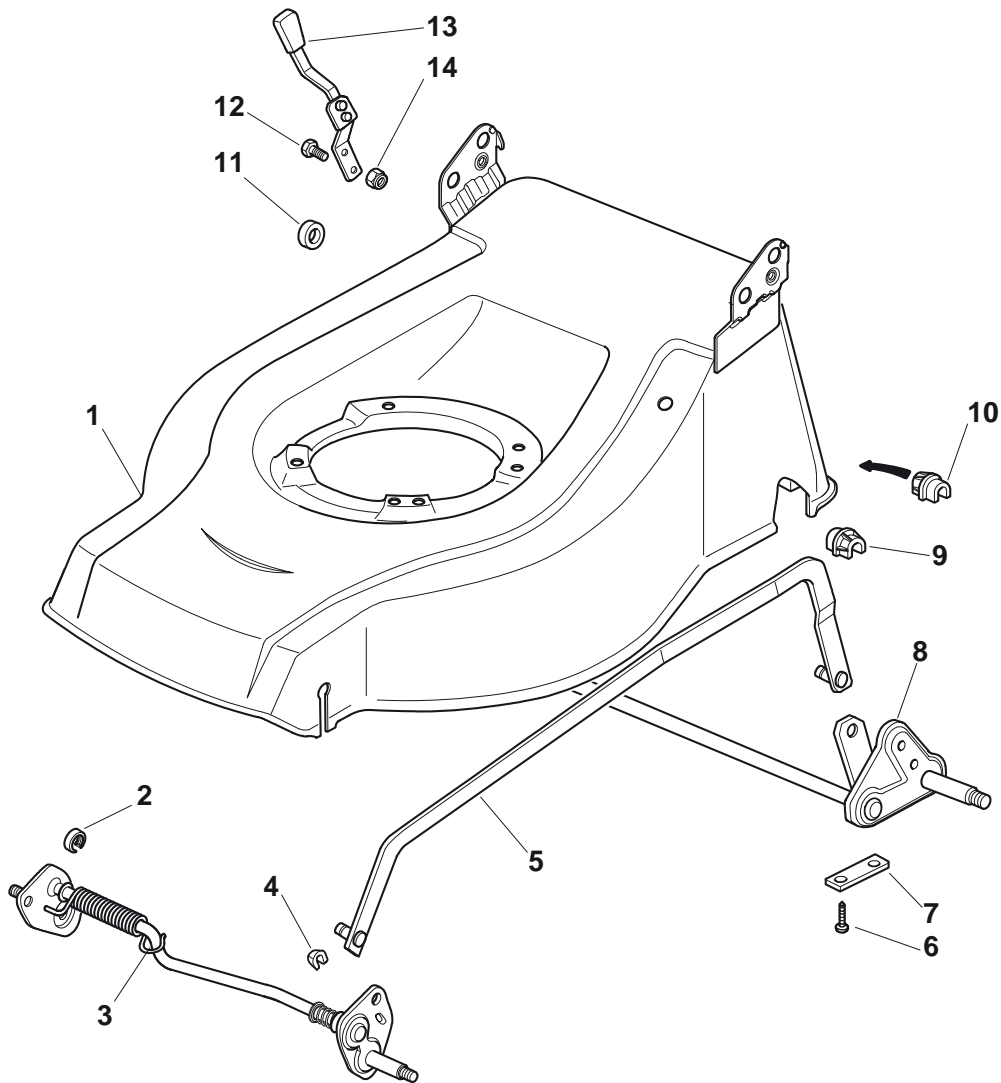
© Copyright 2011 Global Garden Products

All content is subject to copyright by Global Garden Products and may not be reproduced in whole or in part by any means, electronic or otherwise, without prior written approval.

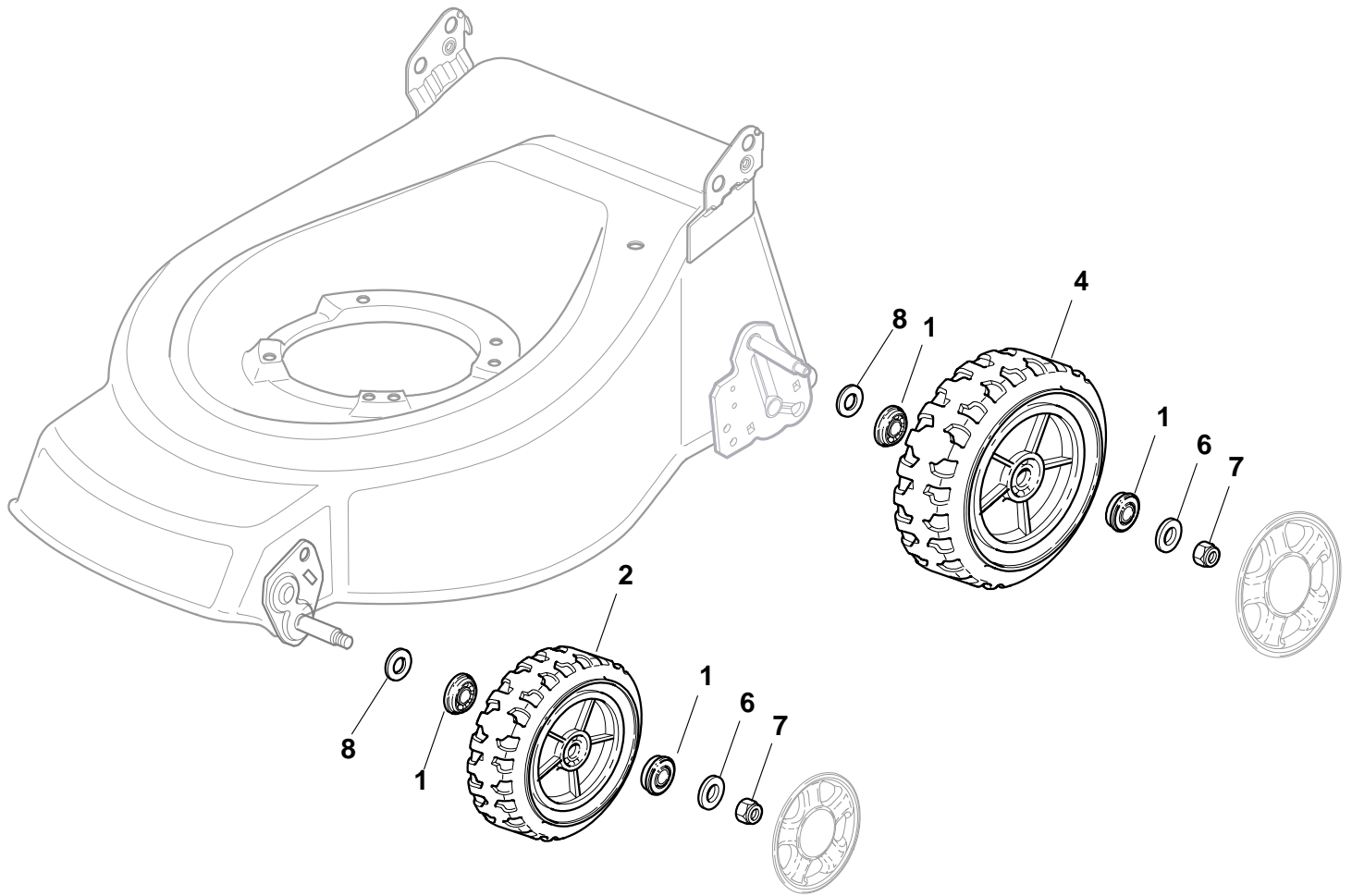
THIS INFORMATION IS NOT INTENDED FOR SALE OR RESALE, AND THIS NOTICE MUST REMAIN ON ALL COPIES.



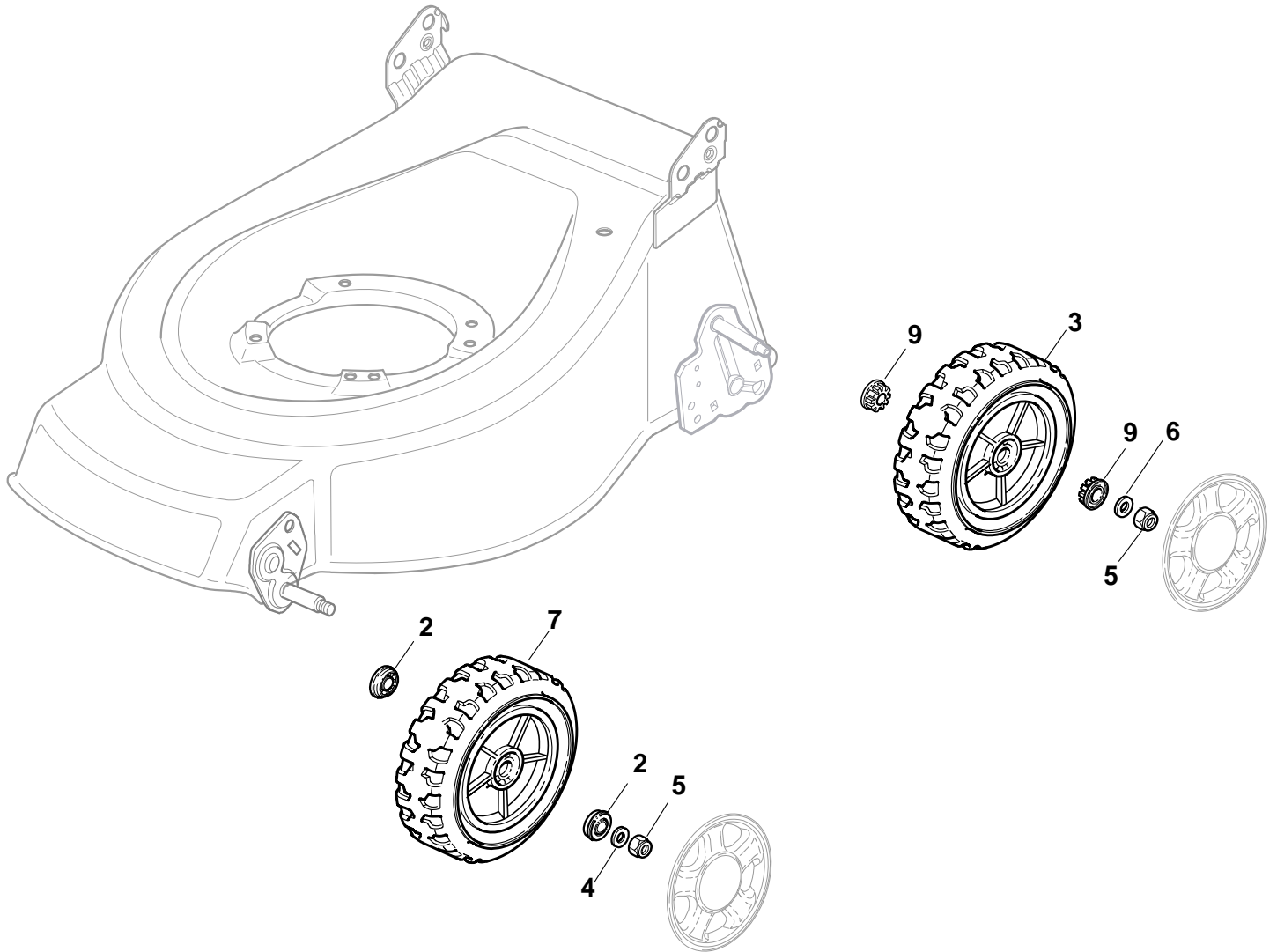
GLOBAL GARDEN PRODUCTS



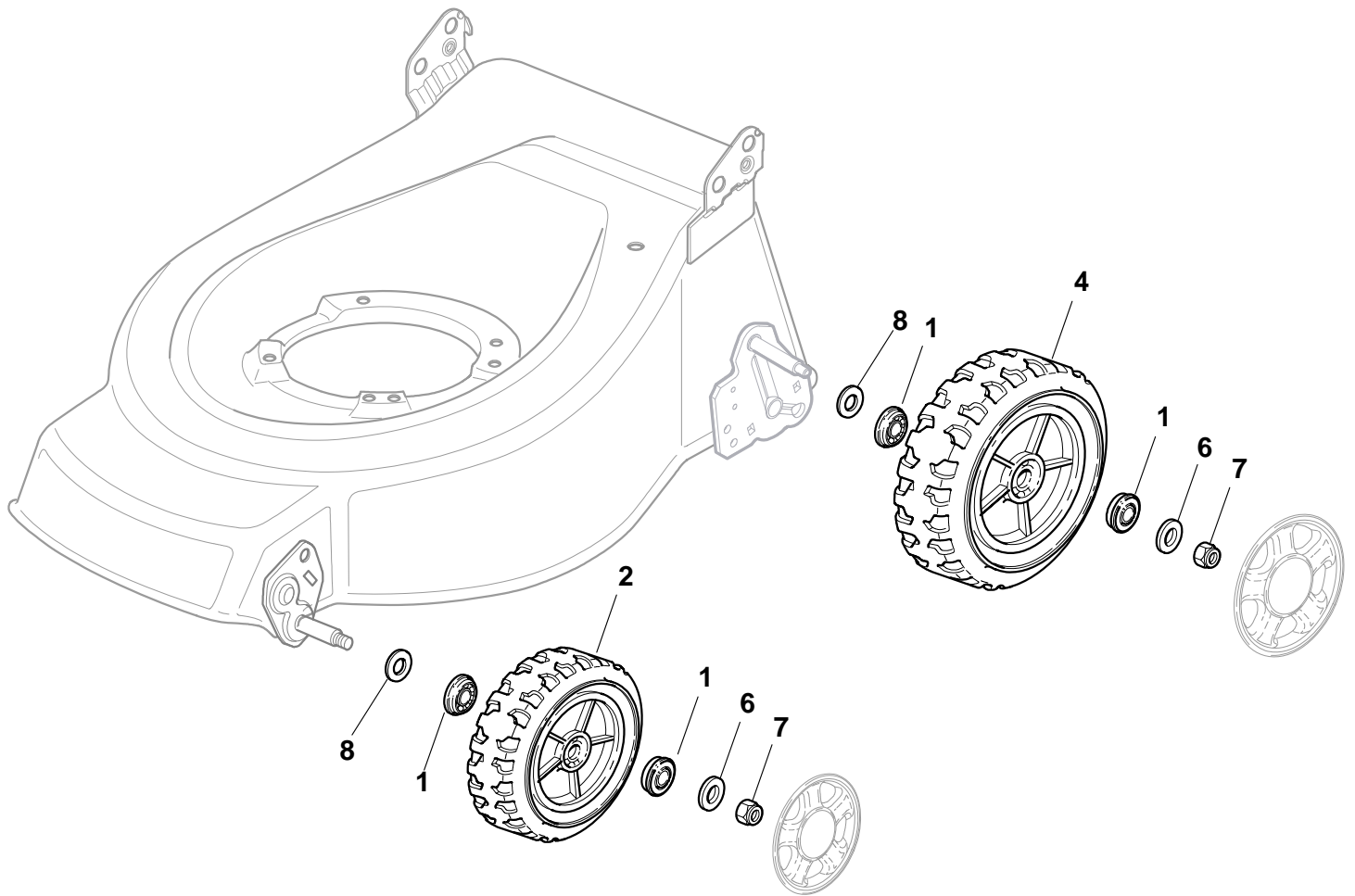
N.	CODE	Q.TY	DESCRIZIONE	DESCRIPTION	DESCRIPTION	BESCHREIBUNG	REMARK
1	81001821/1	1	Chassis Rosso	Deck Red	Châssis Rouge	Gehäuse Rot	
2	22171002/0	1	Distanziale	Spacer	Entretoise	Distanzring	
3	81000143/1	1	Asse Ruote Anteriori	Axle, Front Wheels	Axe Roues Avant	Achse, Vorderrad	
4	112436051/0	2	Piastrina	Plate	Plaquette	Plättchen	
5	381002021/0	1	Asta Comando Regol. Altezza	Rod, Height Adjustment	Tige Commande Reglage Hauteur	Stange, Höheverstellung	
6	12731350/0	4	Vite	Screw	Vis	Schraube	
7	22545142/0	2	Piastrina	Plate	Plaquette	Platte	
8	81001278/0	1	Asse Ruote Posteriori	Axle, Rear Wheels	Axe Roues Arriere	Achse, Hinterrad	
9	22038403/0	1	Bronzina Sx	L Bush	Douille G	Linke Buchse	
10	22038402/0	1	Bronzina Dx	R Bush	Douille D	Rechte Buchse	
11	22170800/0	1	Distanziale	Spacer	Entretoise	Distanzring	
12	12789000/0	2	Vite	Screw	Vis	Schraube	
13	81003283/1	1	Leva Regolazione Altezza	Lever, Height Adjustment	Levier, Reglage Hauteur	Hebel, Höheverstellung	
14	12154320/0	2	Dado	Nut	Ecrou	Mutter	



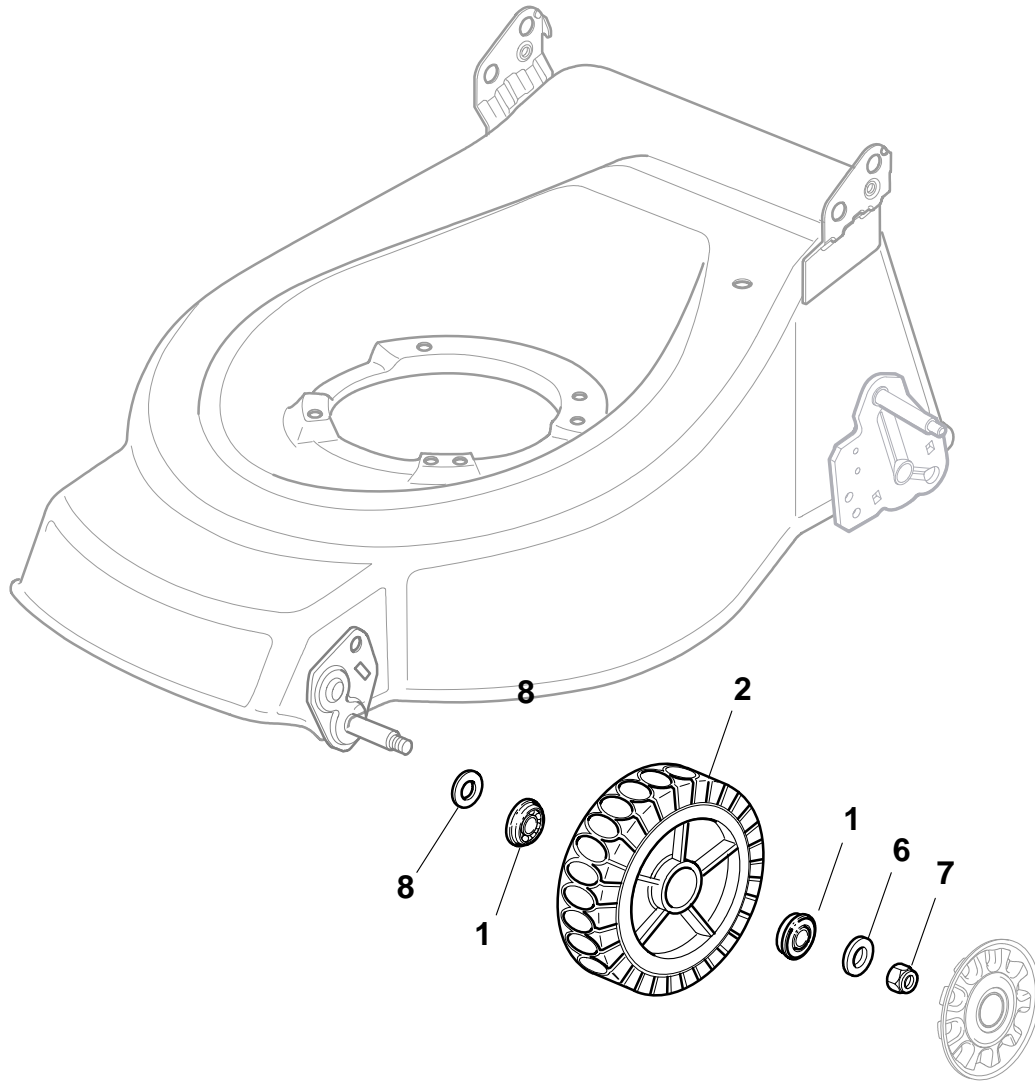
N.	CODE	Q.TY	DESCRIZIONE	DESCRIPTION	DESCRIPTION	BESCHREIBUNG	REMARK
1	22122200/0	8	Cuscinetto	Bearing	Coussinet	Lager	
2	81007351/0	2	Ruota Ø 170	Wheel, Ø 170	Roue Ø 170	Rad Ø 170	
4	81007343/0	2	Ruota Ø 210	Wheel Ø 210	Roue Ø 210	Rad. Ø 210	
6	12523060/0	4	Rosetta	Washer	Rondelle	Scheibe	
7	12155000/0	4	Dado	Nut	Ecrou	Mutter	
8	12530150/0	4	Rosetta Elastica	Elastic Washer	Rondelle Elastique	Elastische Scheibe	



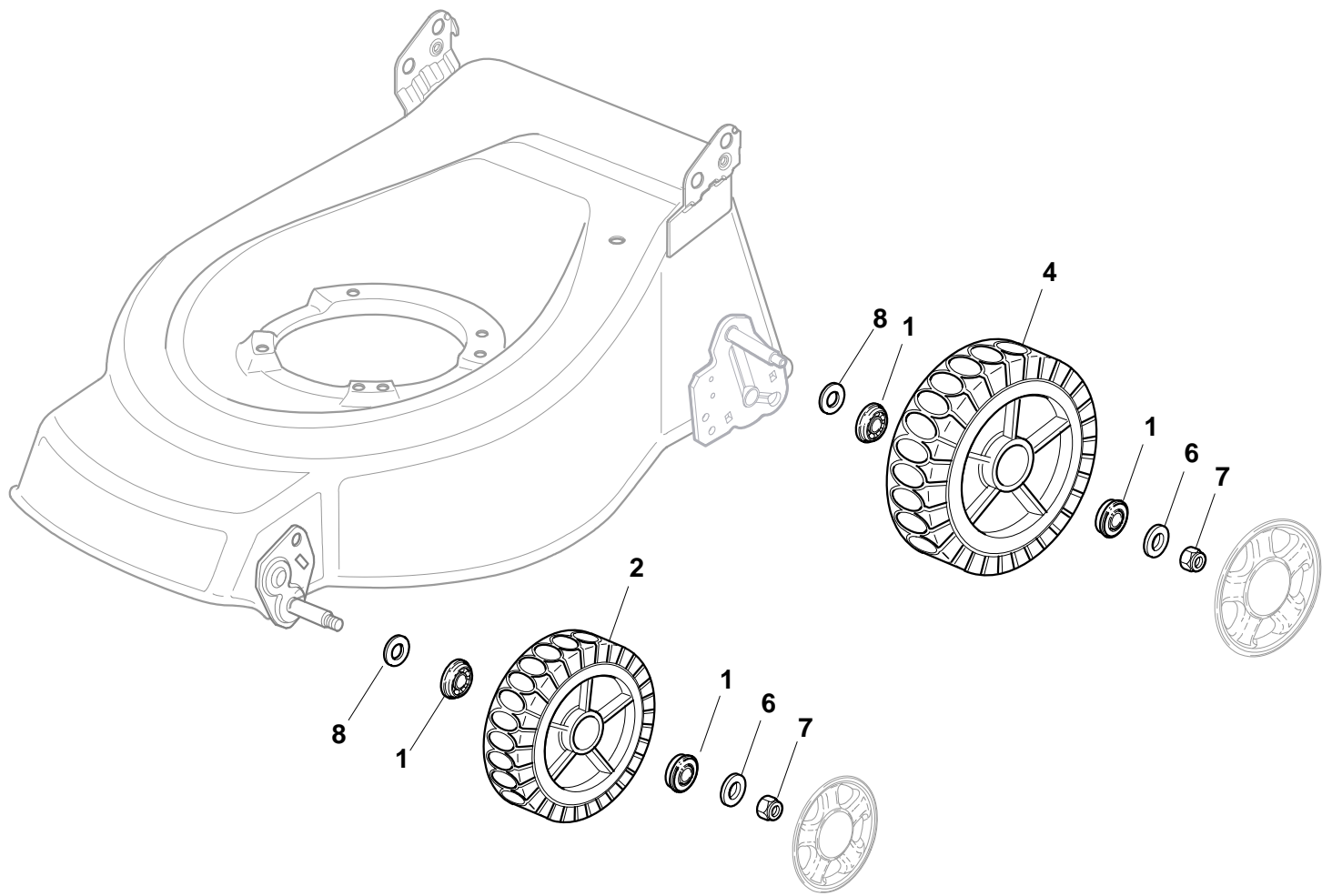
N.	CODE	Q.TY	DESCRIZIONE	DESCRIPTION	DESCRIPTION	BESCHREIBUNG	REMARK
2	22122200/0	2	Cuscinetto	Bearing	Coussinet	Lager	
3	81007343/0	2	Ruota Ø 210	Wheel Ø 210	Roue Ø 210	Rad. Ø 210	
4	12369500/0	4	Rosetta Elastica	Elastic Washer	Rondelle Elastique	Elastische Scheibe	
5	12155000/0	4	Dado	Nut	Ecrou	Mutter	
6	12523060/0	4	Rosetta	Washer	Rondelle	Scheibe	
7	381007420/1	2	Ruota Ø 170	Wheel Ø 170	Roue Ø 170	Rad Ø 170	
9	22034508/0	4	Bussola	Bush	Douille	Buchse	



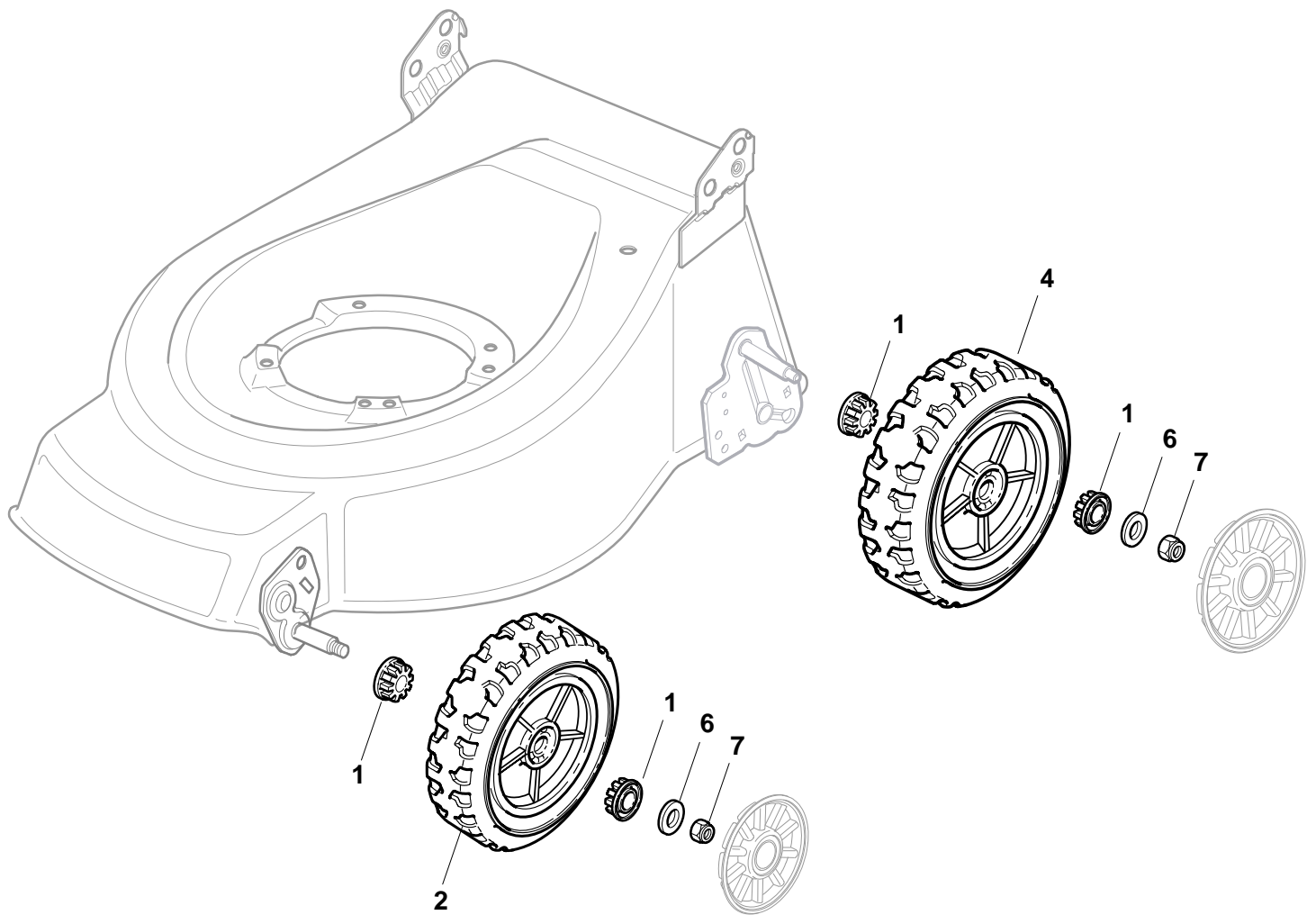
N.	CODE	Q.TY	DESCRIZIONE	DESCRIPTION	DESCRIPTION	BESCHREIBUNG	REMARK
1	22122200/0	8	Cuscinetto	Bearing	Coussinet	Lager	
2	381007420/1	2	Ruota Ø 170	Wheel Ø 170	Roue Ø 170	Rad Ø 170	
4	381007390/1	2	Ruota Ø 210	Wheel Ø 210	Roue Ø 210	Rad. Ø 210	
6	12523060/0	4	Rosetta	Washer	Rondelle	Scheibe	
7	12155000/0	4	Dado	Nut	Ecrou	Mutter	
8	12530150/0	4	Rosetta Elastica	Elastic Washer	Rondelle Elastique	Elastische Scheibe	



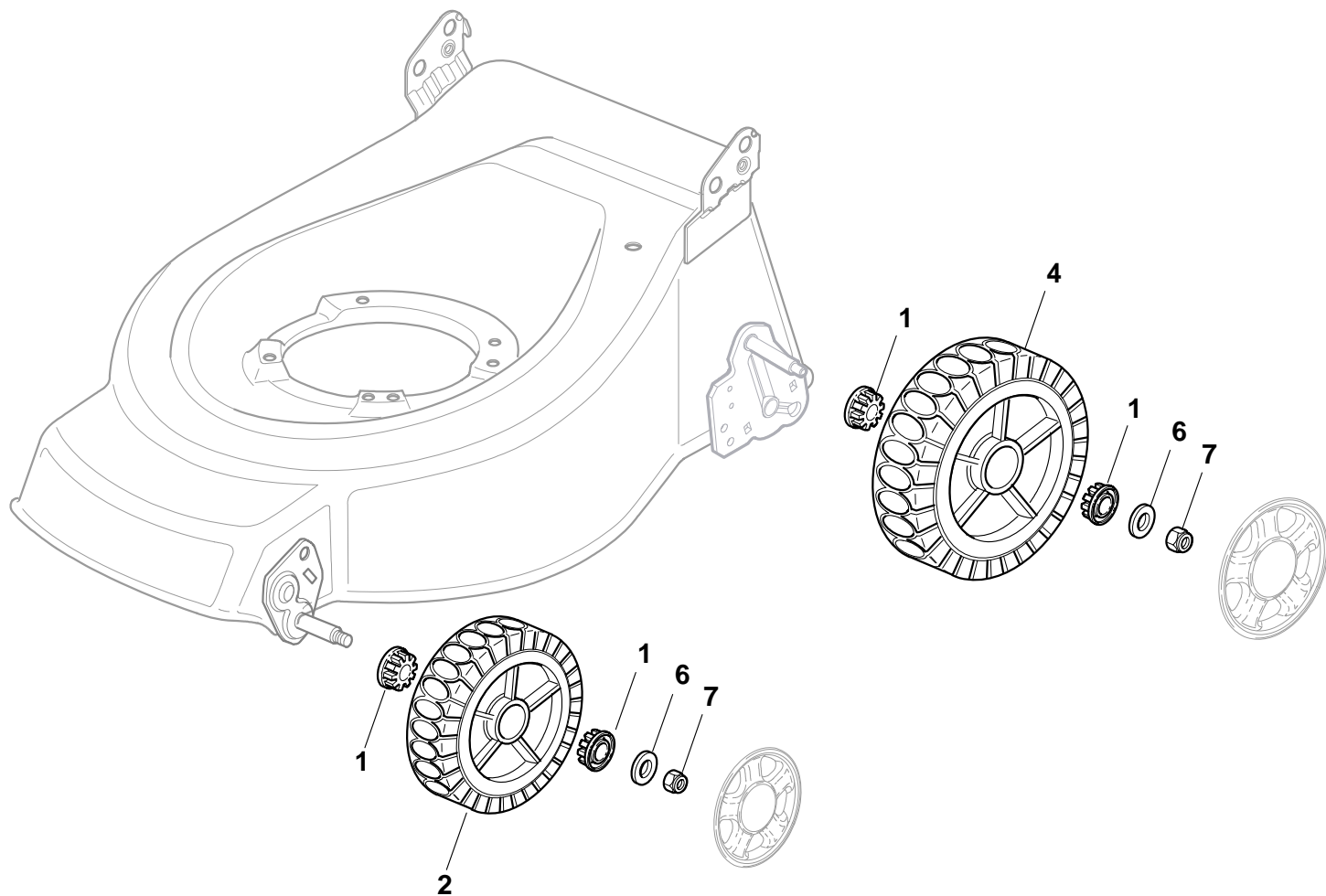
N.	CODE	Q.TY	DESCRIZIONE	DESCRIPTION	DESCRIPTION	BESCHREIBUNG	REMARK
1	22122200/0	8	Cuscinetto	Bearing	Coussinet	Lager	
2	81007336/0	4	Ruota Scolpita Ø 170	Wheel, Knobbly Ø 170	Roue Sculptee Ø 170	Rad M. Stollenpr. Ø 170	
6	12523060/0	4	Rosetta	Washer	Rondelle	Scheibe	
7	12155000/0	4	Dado	Nut	Ecrou	Mutter	
8	12530150/0	4	Rosetta Elastica	Elastic Washer	Rondelle Elastique	Elastische Scheibe	



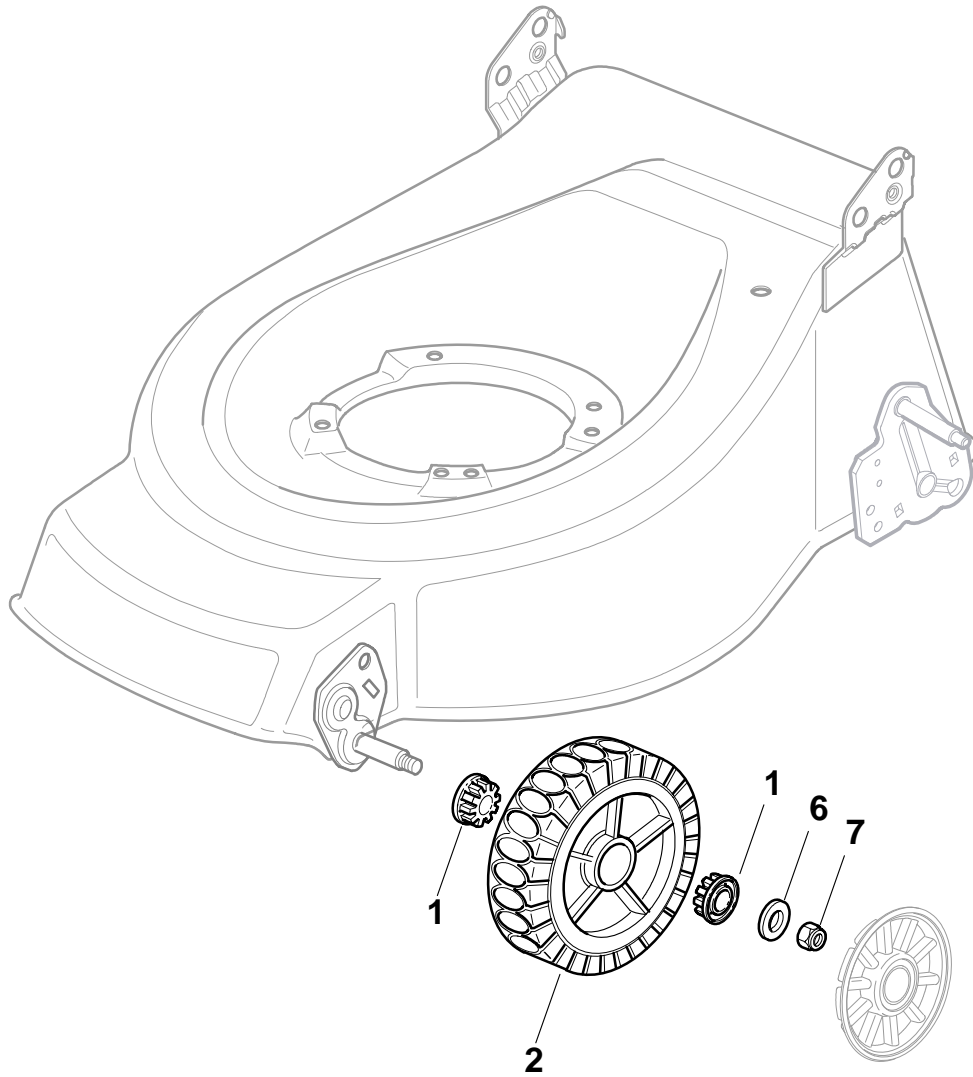
N.	CODE	Q.TY	DESCRIZIONE	DESCRIPTION	DESCRIPTION	BESCHREIBUNG	REMARK
1	22122200/0	8	Cuscinetto	Bearing	Coussinet	Lager	
2	81007336/0	2	Ruota Scolpita Ø 170	Wheel, Knobby Ø 170	Roue Sculptee Ø 170	Rad M. Stollenpr. Ø 170	
4	81007337/0	2	Ruota Scolpita Ø 210	Wheel, Knobby Ø 210	Roue Sculptee Ø 210	Rad M. Stollenpr. Ø 210	
6	12523060/0	4	Rosetta	Washer	Rondelle	Scheibe	
7	12155000/0	4	Dado	Nut	Ecrou	Mutter	
8	12530150/0	4	Rosetta Elastica	Elastic Washer	Rondelle Elastique	Elastische Scheibe	



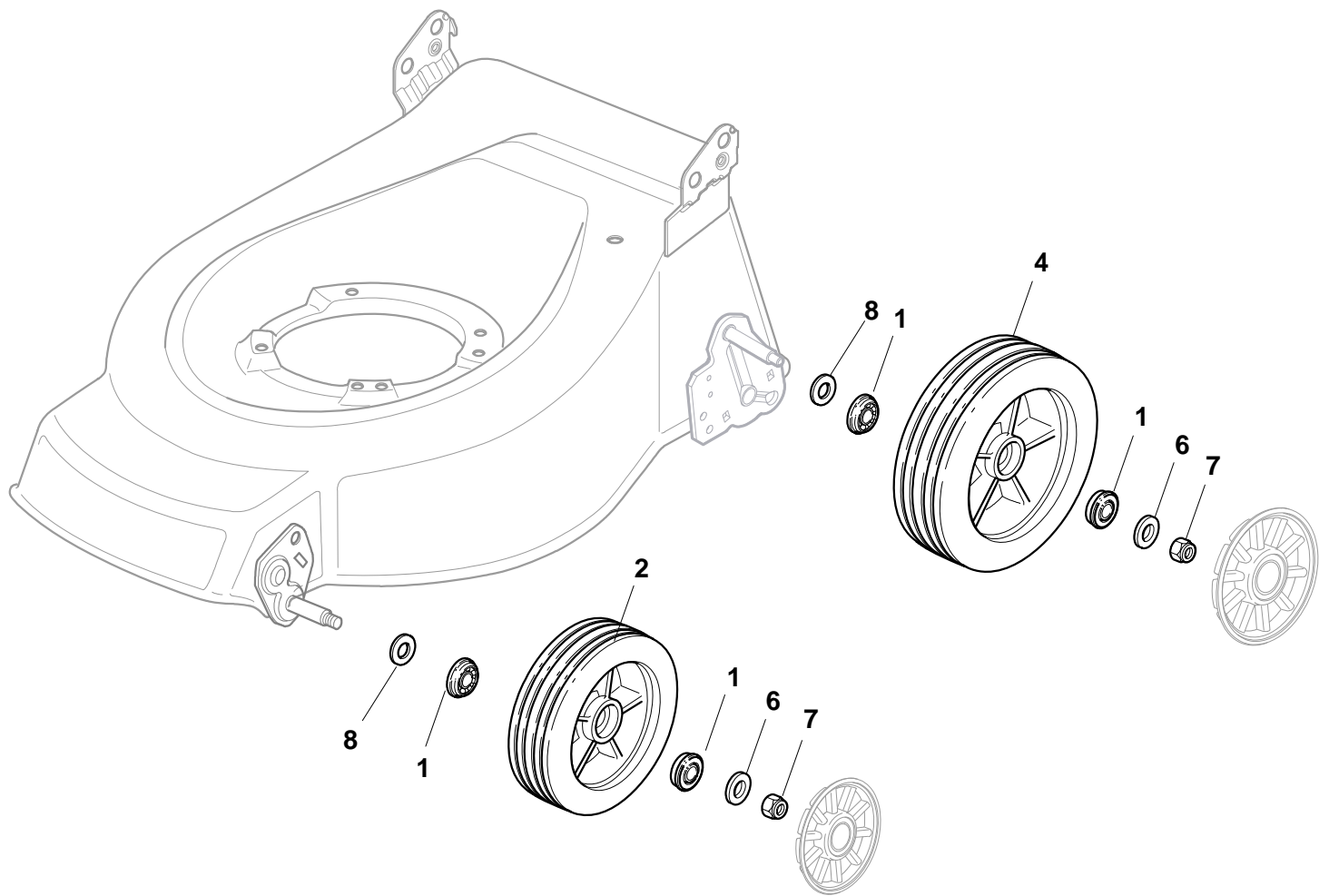
N.	CODE	Q.TY	DESCRIZIONE	DESCRIPTION	DESCRIPTION	BESCHREIBUNG	REMARK
1	22034508/0	8	Bussola	Bush	Douille	Buchse	
2	81007351/0	2	Ruota Ø 170	Wheel, Ø 170	Roue Ø 170	Rad Ø 170	
4	81007343/0	2	Ruota Ø 210	Wheel Ø 210	Roue Ø 210	Rad. Ø 210	
6	12523060/0	4	Rosetta	Washer	Rondelle	Scheibe	
7	12155000/0	4	Dado	Nut	Ecrou	Mutter	



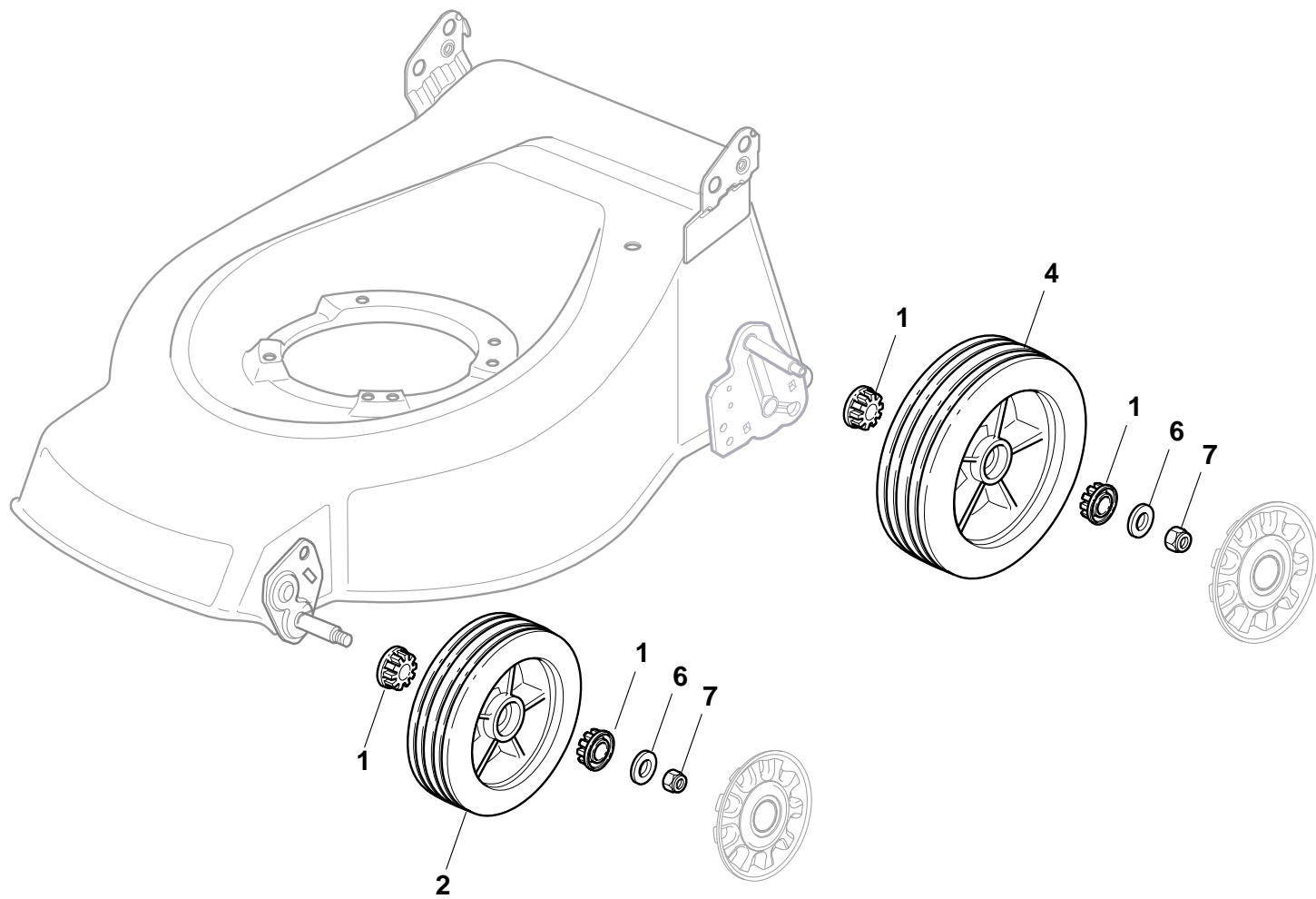
N.	CODE	Q.TY	DESCRIZIONE	DESCRIPTION	DESCRIPTION	BESCHREIBUNG	REMARK
1	22034508/0	8	Bussola	Bush	Douille	Buchse	
2	81007336/0	2	Ruota Scolpita Ø 170	Wheel, Knobbly Ø 170	Roue Sculptee Ø 170	Rad M. Stollenpr. Ø 170	
4	81007337/0	2	Ruota Scolpita Ø 210	Wheel, Knobbly Ø 210	Roue Sculptee Ø 210	Rad M. Stollenpr. Ø 210	
6	12523060/0	4	Rosetta	Washer	Rondelle	Scheibe	
7	12155000/0	4	Dado	Nut	Ecrou	Mutter	



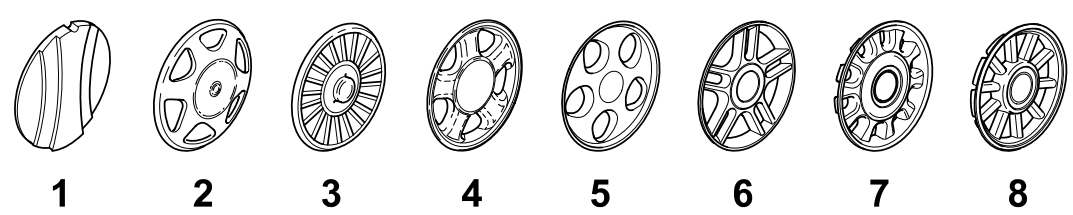
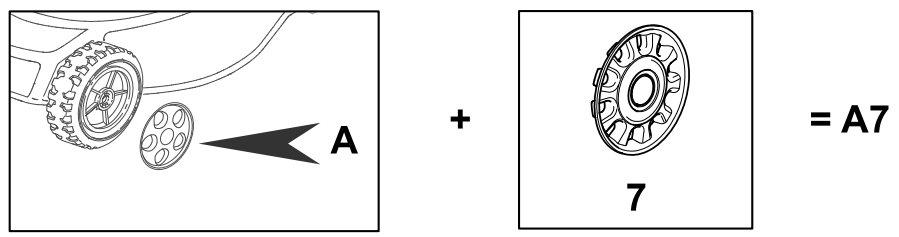
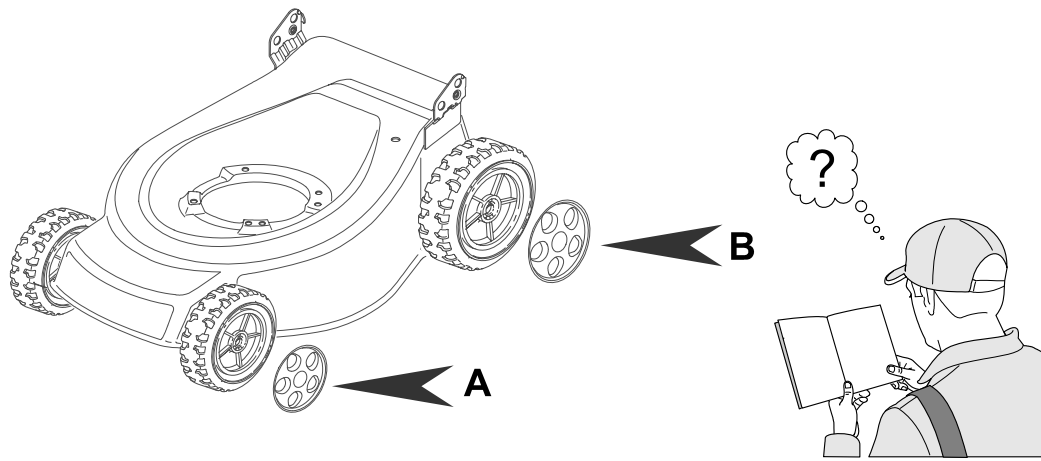
N.	CODE	Q.TY	DESCRIZIONE	DESCRIPTION	DESCRIPTION	BESCHREIBUNG	REMARK
1	22034508/0	8	Bussola	Bush	Douille	Buchse	
2	81007336/0	4	Ruota Scolpita Ø 170	Wheel, Knobbly Ø 170	Roue Sculptee Ø 170	Rad M. Stollenpr. Ø 170	
6	12523060/0	4	Rosetta	Washer	Rondelle	Scheibe	
7	12155000/0	4	Dado	Nut	Ecrou	Mutter	



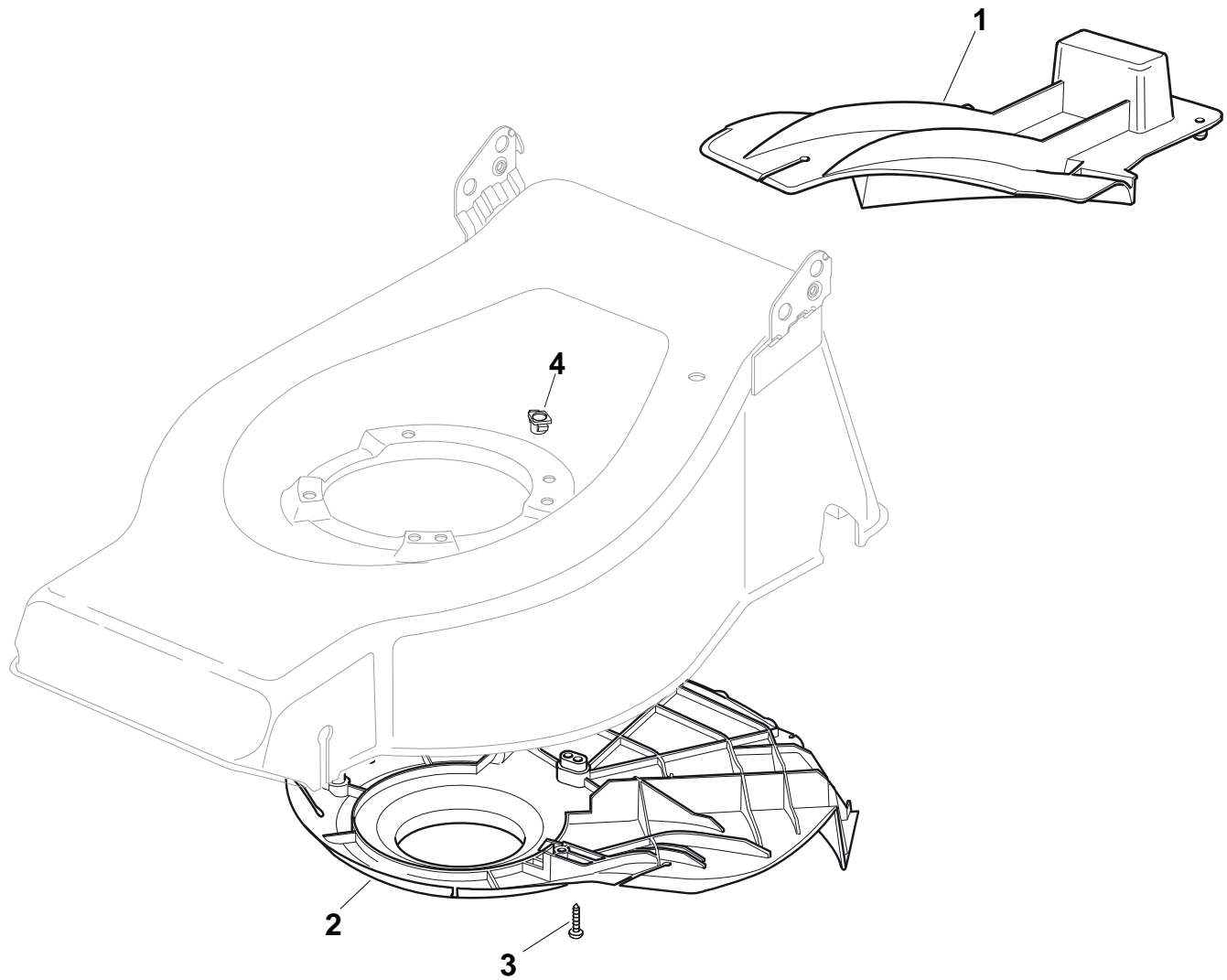
N.	CODE	Q.TY	DESCRIZIONE	DESCRIPTION	DESCRIPTION	BESCHREIBUNG	REMARK
1	22122200/0	8	Cuscinetto	Bearing	Coussinet	Lager	
2	81007326/0	2	Ruota Rigata Ø 170	Wheel Ø 170	Roue Ø 170	Rad. Ø 170	
4	81007328/0	2	Ruota Rigata Ø 210	Wheel Ø 210	Roue Ø 210	Rad. Ø 210	
6	12523060/0	4	Rosetta	Washer	Rondelle	Scheibe	
7	12155000/0	4	Dado	Nut	Ecrou	Mutter	
8	12530150/0	4	Rosetta Elastica	Elastic Washer	Rondelle Elastique	Elastische Scheibe	



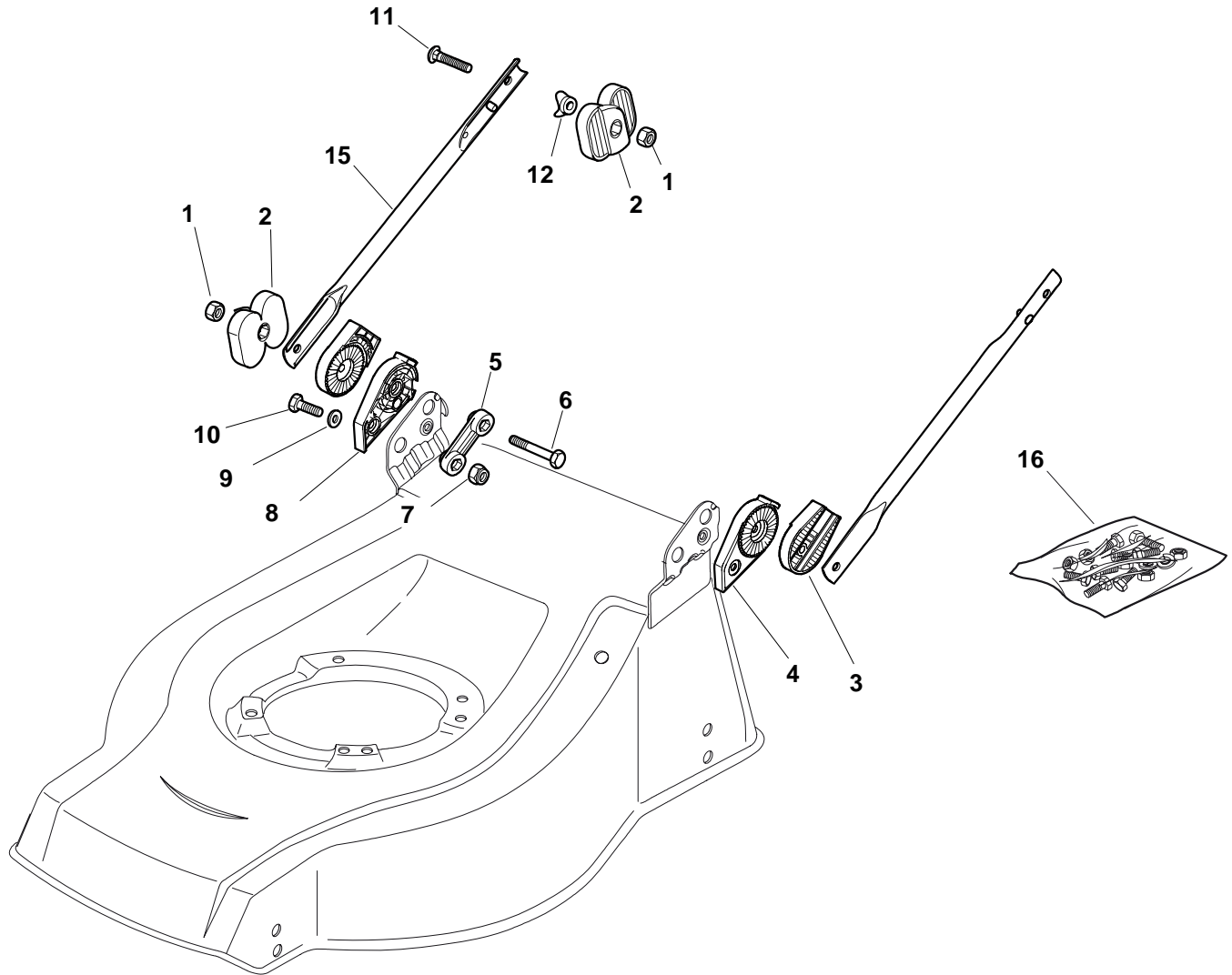
N.	CODE	Q.TY	DESCRIZIONE	DESCRIPTION	DESCRIPTION	BESCHREIBUNG	REMARK
1	22034508/0	8	Bussola	Bush	Douille	Buchse	
2	81007326/0	2	Ruota Rigata Ø 170	Wheel Ø 170	Roue Ø 170	Rad. Ø 170	
4	81007328/0	2	Ruota Rigata Ø 210	Wheel Ø 210	Roue Ø 210	Rad. Ø 210	
6	12523060/0	4	Rosetta	Washer	Rondelle	Scheibe	
7	12155000/0	4	Dado	Nut	Ecrou	Mutter	



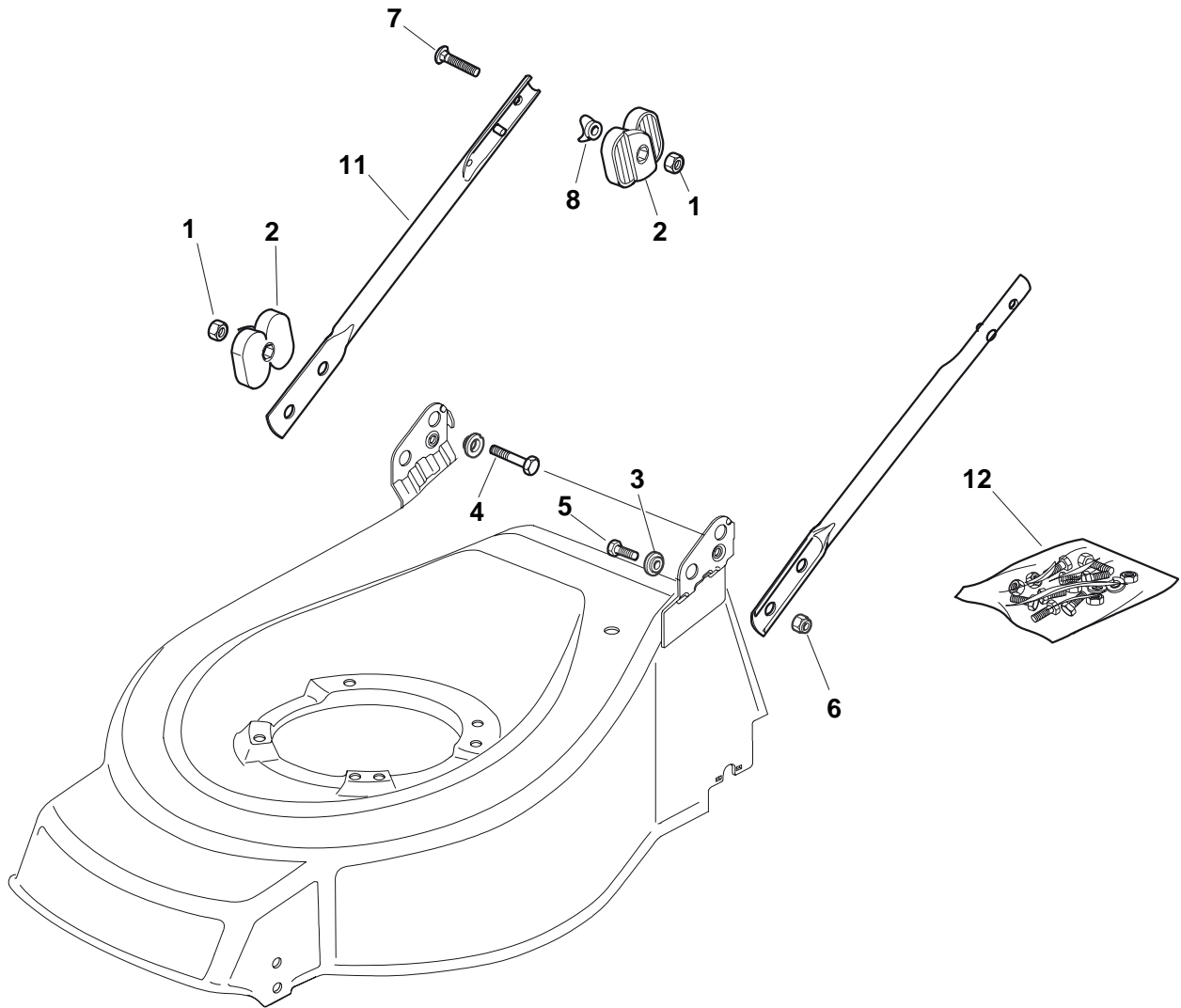
N. CODE	Q.TY	DESCRIZIONE	DESCRIPTION	DESCRIPTION	BESCHREIBUNG	REMARK
B1 22110251/0	2	Coprismozzo Bianco	Hub Cap White	Couvre-Moyeu	Radkappe Weiße	
A1 22110252/1	2	Coprismozzo Bianco	Hub Cap White	Couvre-Moyeu	Radkappe Weiße	
B1 22110253/0	2	Coprismozzo Giallo	Hub Cap Yellow	Couvre-Moyeu	Radkappe Gelbe	
A1 22110254/1	2	Coprismozzo Giallo	Hub Cap Yellow	Couvre-Moyeu	Radkappe Gelbe	
A1 22110255/1	2	Coprismozzo Rosso	Hub Cap Red	Couvre-Moyeu	Radkappe Rote	
B1 22110256/0	2	Coprismozzo Rosso	Hub Cap Red	Couvre-Moyeu	Radkappe Rote	
A1 22110381/0	2	Coprismozzo Grigio	Hub Cap Grey	Couvre-Moyeu Gris	Radkappe Grau	
B1 22110382/0	2	Coprismozzo Grigio	Hub Cap Grey	Couvre-Moyeu Gris	Radkappe Grau	
B2 22110313/0	2	Coprismozzo Bianco	Hub Cap White	Couvre-Moyeu	Radkappe Weiße	
B2 22110314/0	2	Coprismozzo Grigio	Hub Cap Grey	Couvre-Moyeu Gris	Radkappe Grau	
A2 22110344/0	2	Coprismozzo Bianco	Hub Cap White	Couvre-Moyeu	Radkappe Weiße	
A2 22110395/0	2	Coprismozzo Grigio	Hub Cap Grey	Couvre-Moyeu Gris	Radkappe Grau	
A3 22110347/0	2	Coprismozzo Grigio	Hub Cap Grey	Couvre-Moyeu Gris	Radkappe Grau	
B3 22110348/0	2	Coprismozzo Grigio	Hub Cap Grey	Couvre-Moyeu Gris	Radkappe Grau	
A4 22110381/0	2	Coprismozzo Grigio	Hub Cap Grey	Couvre-Moyeu Gris	Radkappe Grau	
B4 22110382/0	2	Coprismozzo Grigio	Hub Cap Grey	Couvre-Moyeu Gris	Radkappe Grau	
A5 22110416/0	2	Coprismozzo Grigio	Hub Cap Grey	Couvre-Moyeu Gris	Radkappe Grau	
B5 22110417/0	2	Coprismozzo Grigio	Hub Cap Grey	Couvre-Moyeu Gris	Radkappe Grau	
A6 22110491/0	2	Coprismozzo Grigio	Hub Cap Grey	Couvre-Moyeu Gris	Radkappe Grau	
B6 22110492/0	2	Coprismozzo Grigio	Hub Cap Grey	Couvre-Moyeu Gris	Radkappe Grau	
A7 22110493/0	2	Coprismozzo Grigio	Hub Cap Grey	Couvre-Moyeu Gris	Radkappe Grau	
B7 22110494/0	2	Coprismozzo Grigio	Hub Cap Grey	Couvre-Moyeu Gris	Radkappe Grau	
A8 22110495/0	2	Coprismozzo Grigio	Hub Cap Grey	Couvre-Moyeu Gris	Radkappe Grau	
B8 22110496/0	2	Coprismozzo Grigio	Hub Cap Grey	Couvre-Moyeu Gris	Radkappe Grau	



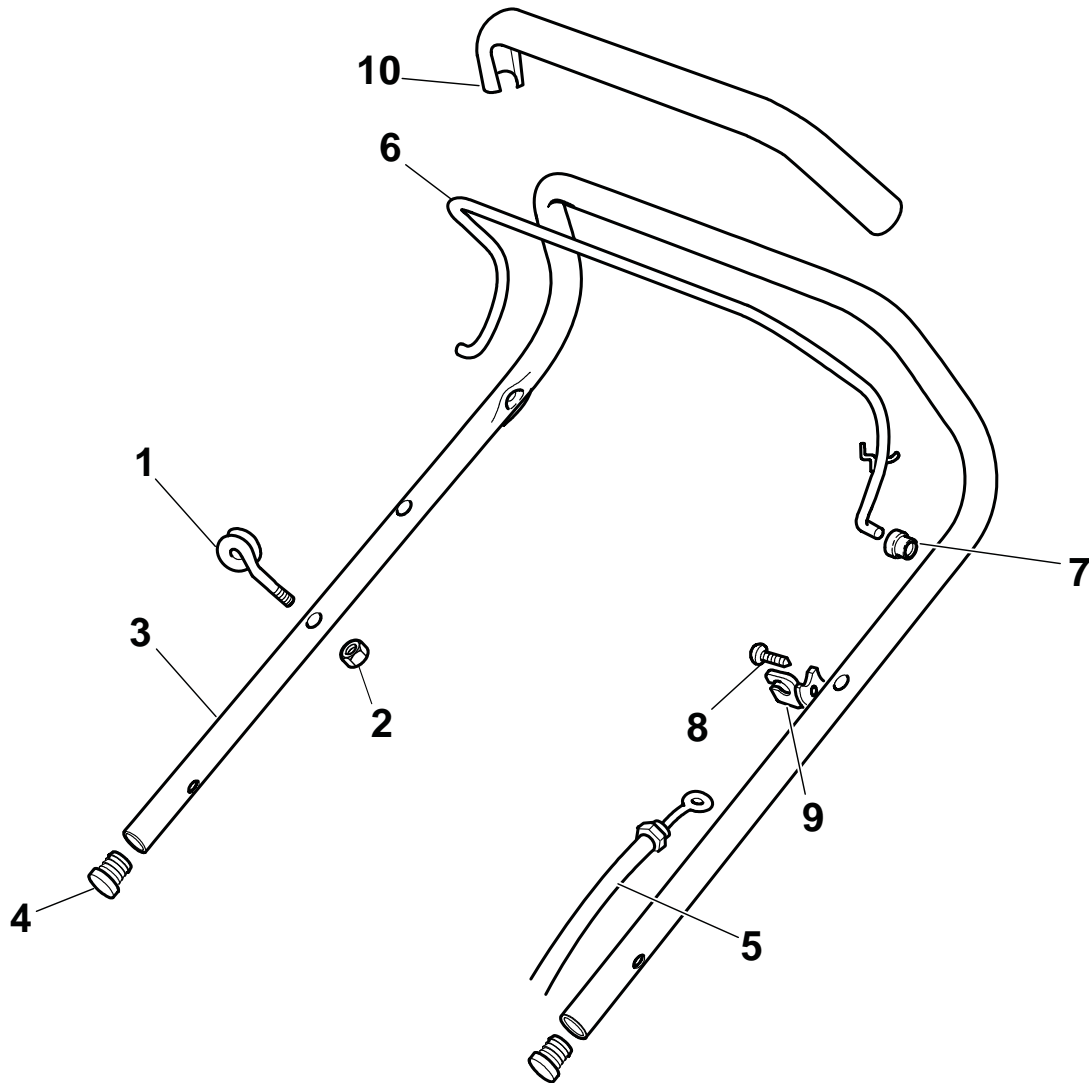
N.	CODE	Q.TY	DESCRIZIONE	DESCRIPTION	DESCRIPTION	BESCHREIBUNG	REMARK
1	22140222/0	1	Deflettore	Deflector	Deflecteur	Deflektor	
2	322060197/2	1	Carter Cinghia	Protection, Belt	Protection	Schutz, Riemen	
3	12728530/0	3	Vite	Screw	Vis	Schraube	
4	22291150/0	1	Inserto In Gomma	Rubber Insert	Insert De	Gummi Einsatz	



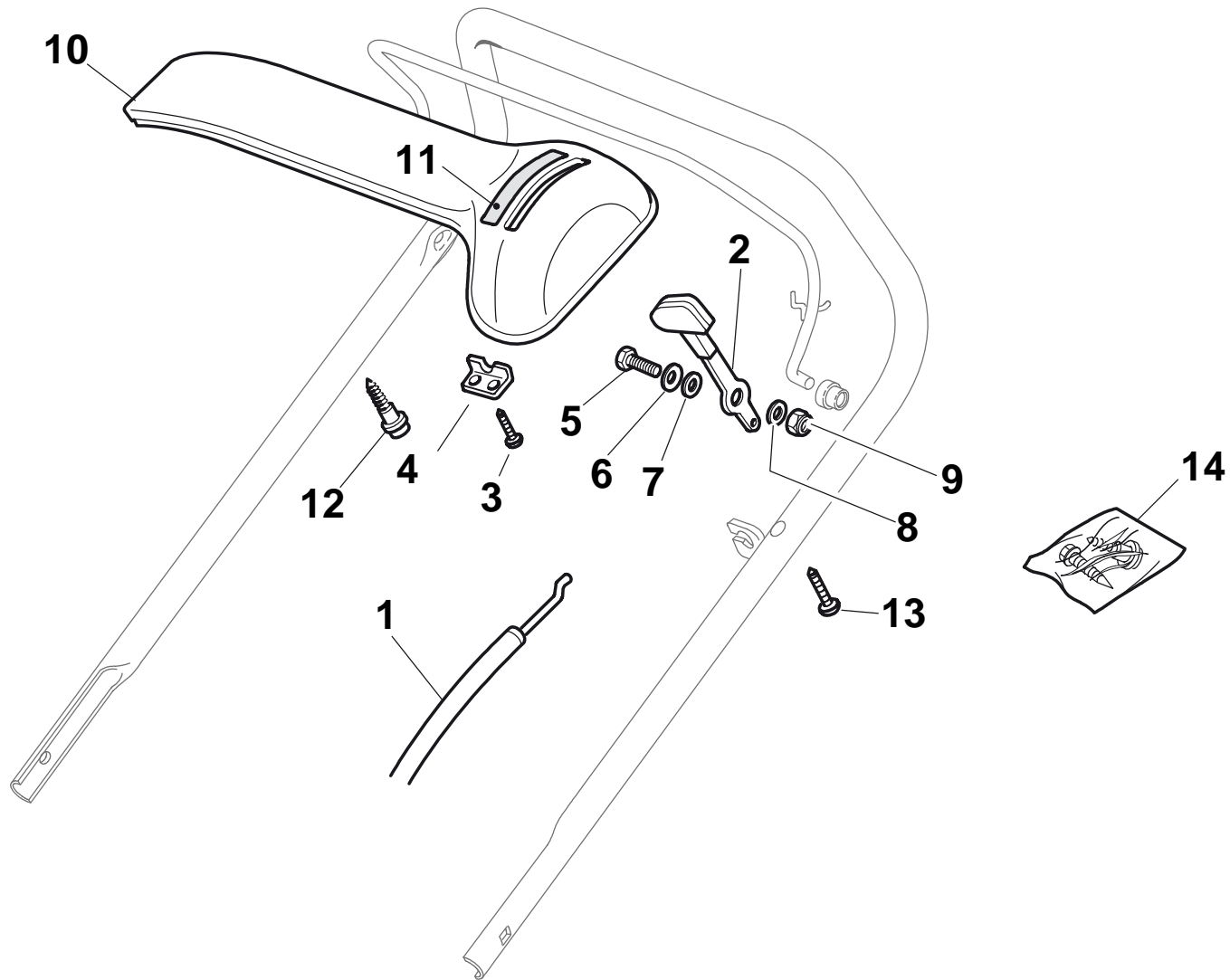
N.	CODE	Q.TY	DESCRIZIONE	DESCRIPTION	DESCRIPTION	BESCHREIBUNG	REMARK
1	12293202/0	4	Dado	Nut	Ecrou	Mutter	
2	22399803/0	4	Manopolina	Knob	Poignée	Griff	
3	22785081/1	2	Supporto Esterno	Support, External	Support Externe	Halter, Außere	
4	22785083/1	1	Supporto Interno	Support, L Internal	Support Interne G	Halter, Innere L	
5	22551575/0	2	Piastrina Interna	Plate, Inside	Plaquette Interne	Platte, Innere	
6	12691810/0	2	Vite	Screw	Vis	Schraube	
7	12155000/0	2	Dado	Nut	Ecrou	Mutter	
8	22785082/0	1	Supporto Interno	Support, R Internal	Support Interne D	Halter, Innere R	
9	12521350/0	2	Rosetta	Washer	Rondelle	Scheibe	
10	12793301/0	2	Vite	Screw	Vis	Schraube	
11	12819125/0	2	Vite	Screw	Vis	Schraube	
12	22680006/1	2	Rosetta	Washer	Rondelle	Scheibe	
15	81006531/0	2	Manico, Parte Inf	Handle, Lower Part	Mancheron, Partie Inferieure	Holm, Unterteil	
16	81008633/0	1	Dotazione Viteria	Outfit, Screws	Dotation Visserie	Satz, Schrauben	



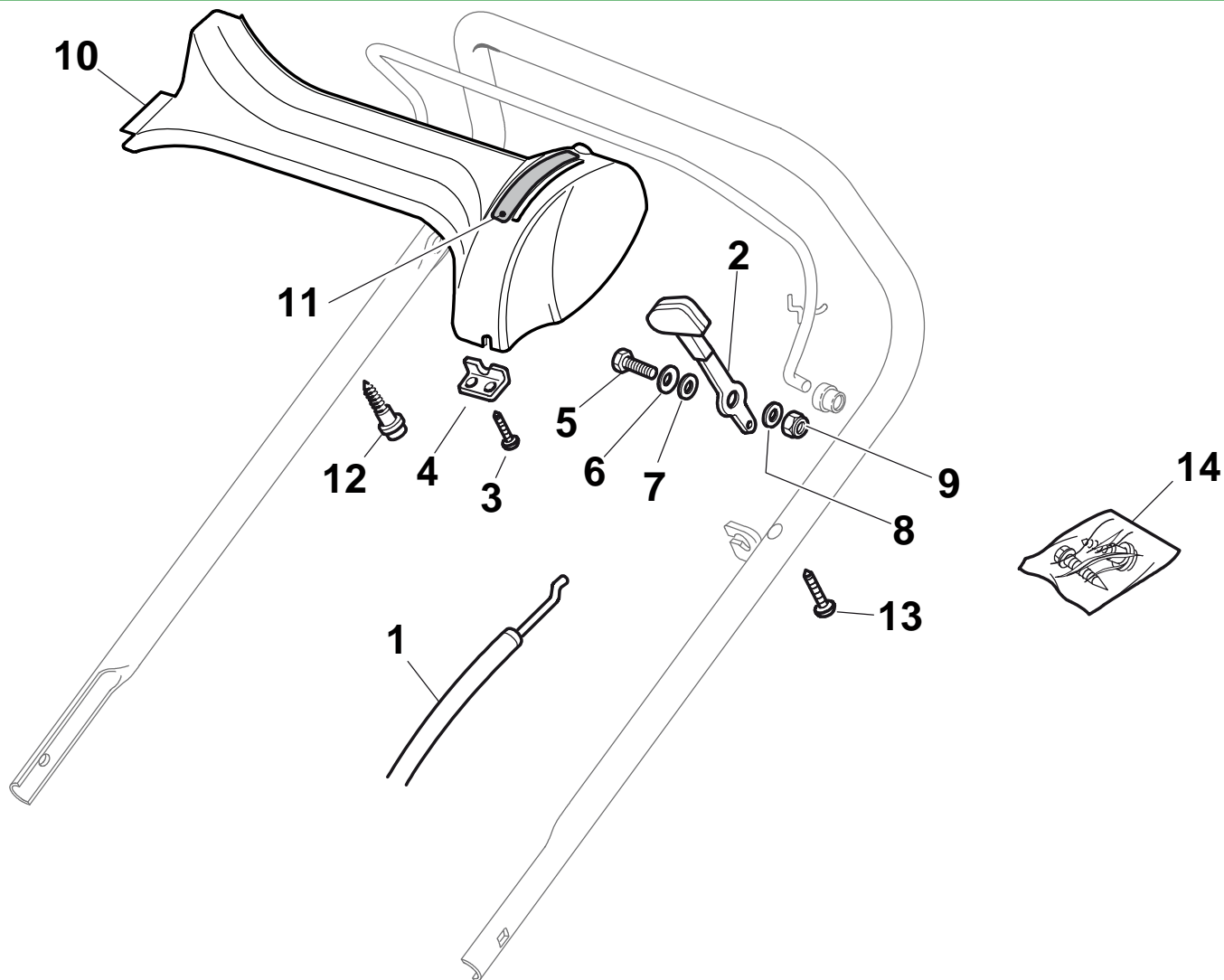
N.	CODE	Q.TY	DESCRIZIONE	DESCRIPTION	DESCRIPTION	BESCHREIBUNG	REMARK
1	12293202/0	4	Dado	Nut	Ecrou	Mutter	
2	22399803/0	4	Manopolina	Knob	Poignée	Griff	
3	22041955/0	4	Bussola	Bush	Douille	Buchse	
4	12793700/0	2	Vite	Screw	Vis	Schraube	
5	12792610/0	2	Vite	Screw	Vis	Schraube	
6	12155000/0	2	Dado	Nut	Ecrou	Mutter	
7	12819125/0	2	Vite	Screw	Vis	Schraube	
8	22680006/1	2	Rosetta	Washer	Rondelle	Scheibe	
11	81006973/0	2	Manico, Parte Inf	Handle, Lower Part	Mancheron, Partie Inferieure	Holm, Unterteil	
12	81008633/0	1	Dotazione Viteria	Outfit, Screws	Dotation Visserie	Satz, Schrauben	



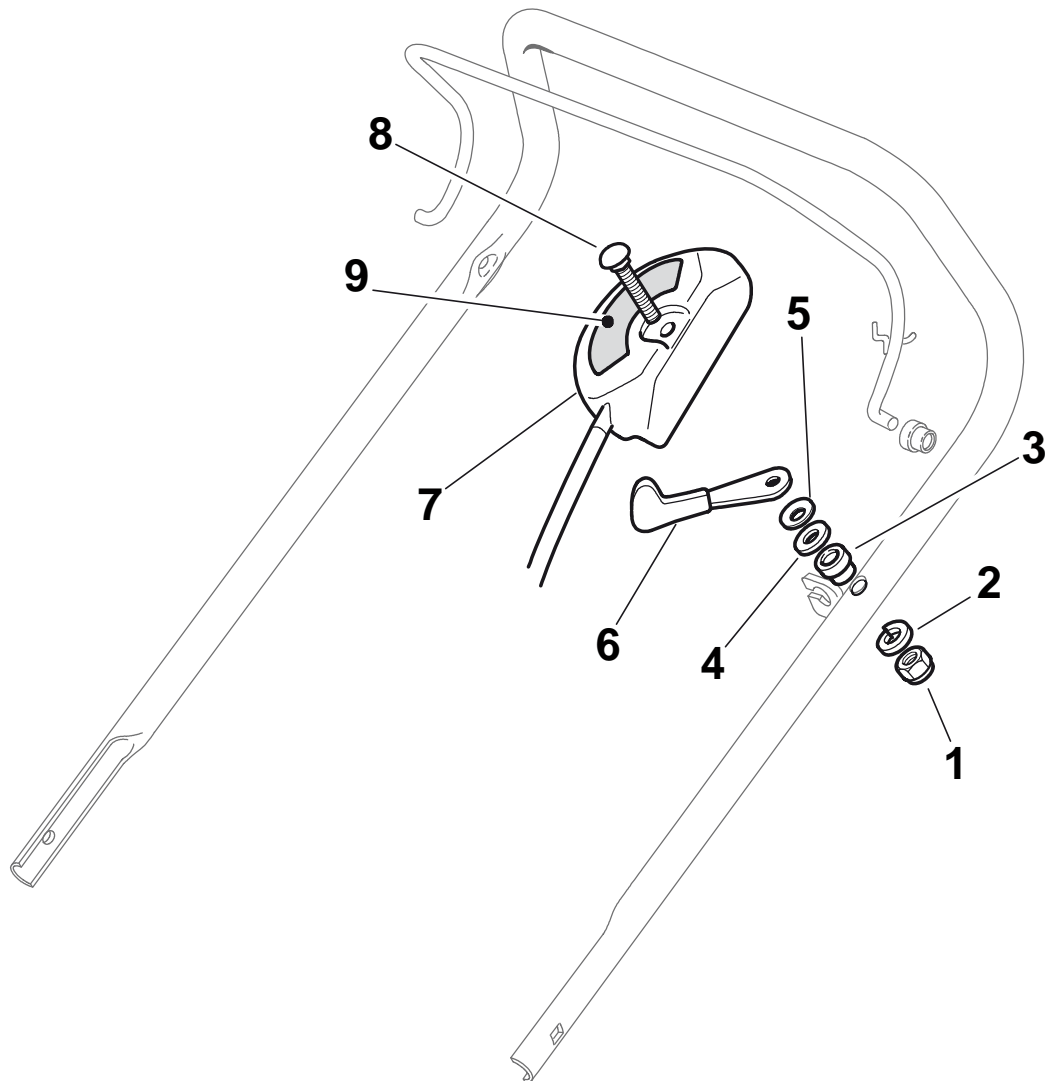
N.	CODE	Q.TY	DESCRIZIONE	DESCRIPTION	DESCRIPTION	BESCHREIBUNG	REMARK
1	22430309/0	1	Molla Guida	Guide Spring	Ressort De Guide	Feder Führer	
2	12154330/0	1	Dado	Nut	Ecrou	Mutter	
3	81006977/1	1	Manico, Parte Sup	Handle, Upper Part	Mancheron, Partie Superieure	Holm, Oberteil	
4	18566112/0	2	Puntale	Cap	Bouchon	Gummistopfen	
5	181030009/0	1	Cavo Freno Motore	Cable, Thread Engine Brake	Cable Frein Moteur	Kabel, Motorbremse	534 (B&S 700 Series DOV)
5	81000611/0	1	Cavo Freno Motore	Cable, Thread Engine Brake	Cable Frein Moteur	Kabel, Motorbremse	(GGP 150cc)
5	81000640/0	1	Cavo Freno Motore	Cable, Thread Engine Brake	Cable Frein Moteur	Kabel, Motorbremse	534 (Honda Gcv 135-160-190)
5	81000643/0	1	Cavo Freno Motore	Cable, Thread Engine Brake	Cable Frein Moteur	Kabel, Motorbremse	534 (B&S 500 Series)
5	81000756/0	1	Cavo Freno Motore	Cable, Thread Engine Brake	Cable Frein Moteur	Kabel, Motorbremse	534 (B&S 675 Series Es)
5	81000756/0	1	Cavo Freno Motore	Cable, Thread Engine Brake	Cable Frein Moteur	Kabel, Motorbremse	534 (B&S 625-675 Series)
5	81000756/0	1	Cavo Freno Motore	Cable, Thread Engine Brake	Cable Frein Moteur	Kabel, Motorbremse	534 (GGP 140cc)
5	81000756/0	1	Cavo Freno Motore	Cable, Thread Engine Brake	Cable Frein Moteur	Kabel, Motorbremse	534 (GGP 160cc)
5	81000756/0	1	Cavo Freno Motore	Cable, Thread Engine Brake	Cable Frein Moteur	Kabel, Motorbremse	534 (GGP 196cc)
6	81003291/3	1	Leva Freno Motore	Lever, Engine Brake	Levier Frein Moteur	Hebel, Motorbremse	
7	22041966/0	2	Bussola	Bush	Douille	Buchse	
8	12728518/0	1	Vite	Screw	Vis	Schraube	
9	22806612/0	1	Supporto	Support	Support	Halter	
10	22291050/0	1	Impugnatura Manico Nera	Handgrip Black	Poignée Noire	Handgriff Schwarz	



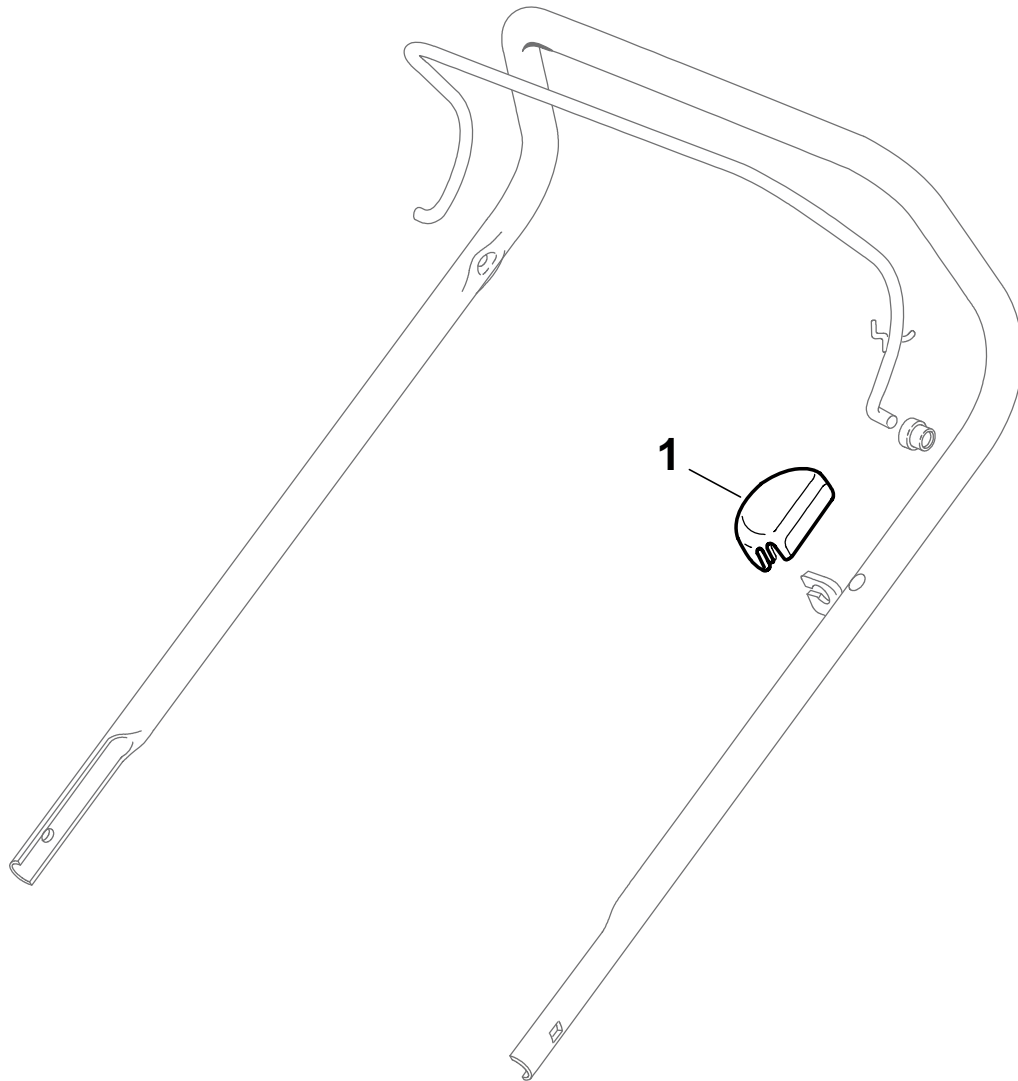
N.	CODE	Q.TY	DESCRIZIONE	DESCRIPTION	DESCRIPTION	BESCHREIBUNG	REMARK
1	81007160/0	1	Cavo Acceleratore	Throttle Cable	Cable, Accelérateur	Gashebel Kabel	
2	81007221/0	1	Leva, Acceleratore	Lever, Throttle	Levier,	Hebel, Beschleuniger	(B&S 450-500 Series - GGP 150 cc)
2	81007280/2	1	Leva, Acceleratore	Lever, Throttle	Levier,	Hebel, Beschleuniger	(B&S 625-675-700 Series - Honda - GGP 140-160-196 cc)
3	12735105/0	2	Vite	Screw	Vis	Schraube	
4	22981467/0	1	Piastrina	Plate	Plaquette	Platte	
5	12791500/0	1	Vite	Screw	Vis	Schraube	
6	12530060/0	1	Rosetta Elastica	Elastic Washer	Rondelle Elastique	Elastische Scheibe	
7	12523040/0	1	Rosetta	Washer	Rondelle	Scheibe	
8	12523040/0	1	Rosetta	Washer	Rondelle	Scheibe	
9	12154510/0	1	Dado	Nut	Ecrou	Mutter	
10	22120152/0	1	Cruscotto Giallo	Dash Board Yellow	Console Jaune	Konsole Gelbe	
10	22120154/0	1	Cruscotto Rosso	Dash Board Red	Console Rouge	Konsole Rote	
10	22120158/0	1	Cruscotto Nero	Dash Board Black	Console Noire	Konsole Schwarze	
11	114356743/1	1	Etichetta	Label	Etiquette	Etikette	(Honda)
11	114356743/1	1	Etichetta	Label	Etiquette	Etikette	(GGP)
11	114356744/1	1	Etichetta	Label	Etiquette	Etikette	(B&S)
11	114356906/1	1	Etichetta	Label	Etiquette	Etikette	(B&S 700 series DOV)
11	114357646/1	1	Etichetta	Label	Etiquette	Etikette	(Honda GCV 160-190 Autochoke)
12	22943006/0	1	Vite	Screw	Vis	Schraube	
13	12728460/0	1	Vite	Screw	Vis	Schraube	
14	81008609/0	1	Dotazione Viteria Cruscotto	Outfit, Dash-Board Screws	Dotation Visserie Console	Satz, Konsole Schrauben	



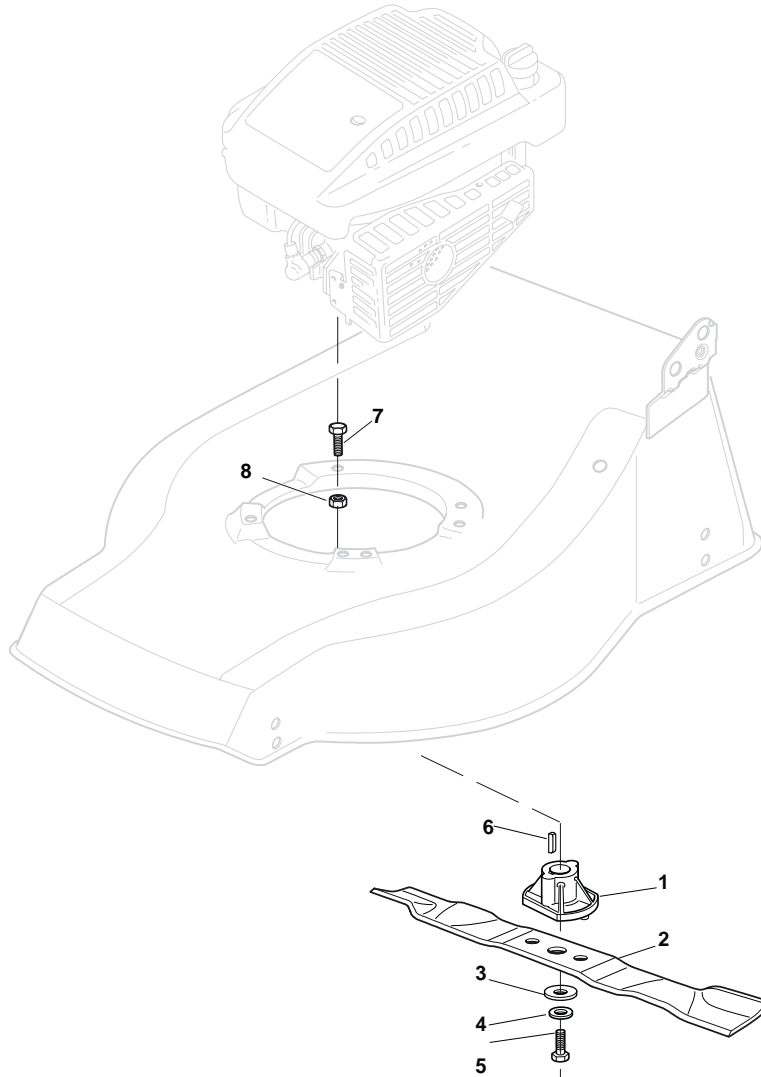
N.	CODE	Q.TY	DESCRIZIONE	DESCRIPTION	DESCRIPTION	BESCHREIBUNG	REMARK
1	81007160/0	1	Cavo Acceleratore	Throttle Cable	Cable, Accelérateur	Gashebel Kabel	
2	81007221/0	1	Leva, Acceleratore	Lever, Throttle	Levier,	Hebel, Beschleuniger	(B&S 450-500 Series - GGP 150 cc)
2	81007280/2	1	Leva, Acceleratore	Lever, Throttle	Levier,	Hebel, Beschleuniger	(B&S 625-675-700 Series - Honda - GGP 140-160-196 cc)
3	12735105/0	2	Vite	Screw	Vis	Schraube	
4	22981467/0	1	Piastrina	Plate	Plaquette	Platte	
5	12791500/0	1	Vite	Screw	Vis	Schraube	
6	12530060/0	1	Rosetta Elastica	Elastic Washer	Rondelle Elastique	Elastische Scheibe	
7	12523040/0	1	Rosetta	Washer	Rondelle	Scheibe	
8	12523040/0	1	Rosetta	Washer	Rondelle	Scheibe	
9	12154510/0	1	Dado	Nut	Ecrou	Mutter	
10	22120172/0	1	Cruscotto Nero	Dash Board Black	Console Noire	Konsole Schwarze	
10	22120173/0	1	Cruscotto Rosso	Dash Board Red	Console Rouge	Konsole Rote	
10	22120174/0	1	Cruscotto Giallo	Dash Board Yellow	Console Jaune	Konsole Gelbe	
11	114356743/1	1	Etichetta	Label	Etiquette	Etikette	(GGP)
11	114356743/1	1	Etichetta	Label	Etiquette	Etikette	(Honda)
11	114356744/1	1	Etichetta	Label	Etiquette	Etikette	(B&S)
11	114356906/1	1	Etichetta	Label	Etiquette	Etikette	(B&S 700 series DOV)
11	114357646/1	1	Etichetta	Label	Etiquette	Etikette	(Honda GCV 160-190 Autochoke)
12	22943006/0	1	Vite	Screw	Vis	Schraube	
13	12728460/0	1	Vite	Screw	Vis	Schraube	
14	81008609/0	1	Dotazione Viteria Cruscotto	Outfit, Dash-Board Screws	Dotation Visserie Consolle	Satz, Konsole Schrauben	



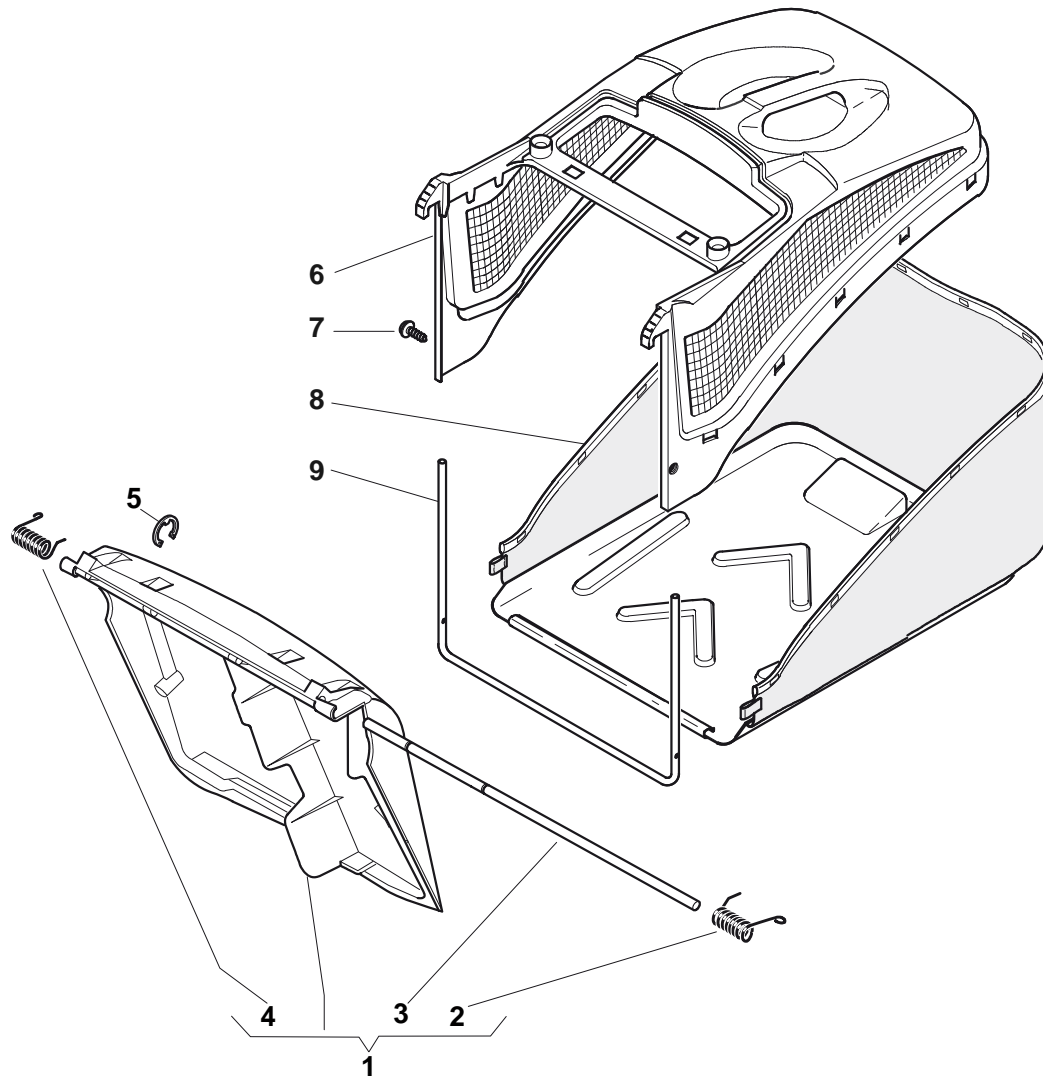
N.	CODE	Q.TY	DESCRIZIONE	DESCRIPTION	DESCRIPTION	BESCHREIBUNG	REMARK
1	12291000/0	1	Dado	Nut	Ecrou	Mutter	
2	12581500/0	1	Grower	Grower	Grower	Federring	
3	22171005/0	1	Distanziale	Spacer	Entretoise	Distanzring	
4	12521360/0	1	Rosetta	Washer	Rondelle	Scheibe	
5	12508100/0	1	Rosetta Elastica	Spring Washer	Rondelle Elastique	Elastische Scheibe	
6	81007220/0	1	Leva, Acceleratore	Lever, Throttle	Levier, Accelérateur	Hebel, Beshleuniger	(B&S 450-500 Series - GGP 150 cc)
6	81007279/1	1	Leva, Acceleratore	Lever, Throttle	Levier, Accelérateur	Hebel, Beshleuniger	(B&S 625-675-700 Series - Honda - GGP 140-160-196 cc)
7	81007080/0	1	Cavo Acceleratore	Throttle Cable	Cable, Accelérateur	Gashebel Kabel	
8	12815000/0	1	Vite	Screw	Vis	Schraube	
9	114356905/0	1	Etichetta	Label	Etiquette	Etikette	(B&S 700 series DOV)
9	114356905/0	1	Etichetta	Label	Etiquette	Etikette	(Honda GCV 160-190 Autochoke)
9	114364264/0	1	Etichetta	Label	Etiquette	Etikette	AVS (GGP 160-196)
9	14356702/0	1	Etichetta	Label	Etiquette	Etikette	(Honda)
9	14356702/0	1	Etichetta	Label	Etiquette	Etikette	(GGP)
9	14356703/0	1	Etichetta	Label	Etiquette	Etikette	(B&S)



N. CODE	Q.TY	DESCRIZIONE	DESCRIPTION	DESCRIPTION	BESCHREIBUNG	REMARK
1 22601000/0	1	Protezione	Protection	Protection	Schutz	



N.	CODE	Q.TY	DESCRIZIONE	DESCRIPTION	DESCRIPTION	BESCHREIBUNG	REMARK
1	122463020/1	1	Mozzo, Albero Motore Ø 25	Hub, Crankshaft Ø 25	Moyeu, Arbre Moteur Ø 25	Halter, Motorwelle Ø 25	(Honda)
1	22463012/2	1	Mozzo, Albero Motore Ø 22.2	Hub, Crankshaft Ø 22.2	Moyeu, Arbre Moteur Ø 22.2	Halter, Motorwelle Ø 22.2	(B&S - GGP)
2	81004381/1	1	Coltello Standard	Blade Standard	Lame Standard	Messer Standard	534
2	81004398/0	1	Coltello Alettato	Blade Winged	Lame Ailetée	Messer Flügel	534
3	22160400/0	1	Disco Elastico	Elastic Washer	Rondelle Elastique	Elastischescheibe	
4	12523080/0	1	Rosetta	Washer	Rondelle	Scheibe	
5	12735698/0	1	Vite	Screw	Vis	Schraube	
6	12139100/0	1	Linguetta, Albero Motore Ø 22.2	Feather, Crankshaft Ø 22.2	Clavette, Arbre Moteur Ø 22.2	Keil, Motorwelle Ø 22.2	(B&S - GGP)
6	12139150/0	1	Linguetta, Albero Motore Ø 25	Feather, Crankshaft Ø 25	Clavette, Arbre Moteur Ø 25	Keil, Motorwelle Ø 25	(Honda)
7	12691800/0	1	Vite	Screw	Vis	Schraube	
7	12793701/0	3	Vite	Screw	Vis	Schraube	
8	12155000/0	1	Dado	Nut	Ecrou	Mutter	
8	12293201/0	3	Dado	Nut	Ecrou	Mutter	



N.	CODE	Q.TY	DESCRIZIONE	DESCRIPTION	DESCRIPTION	BESCHREIBUNG	REMARK
1	381008021/2	1	Parasassi	Stone-Guard	Pare-Pierres	Prallblech	
2	22450410/1	1	Molla Dx	R Spring	Ressort D	Rechte Feder	
3	22517906/1	1	Perno	Pin	Pivot	Bolzen	
4	22450420/1	1	Molla Sx	L Spring	Ressort G	Linke Feder	
5	12000930/0	1	Anello Elastico	Snap Ring	Anneau Ressort	Sprengring	
6	22486093/0	1	Sacco, Parte Sup	Grass-Box, Upper	Sac, Partie	Korb, Oberteil	
7	12728445/0	2	Vite	Screw	Vis	Schraube	
8	81002195/0	1	Sacco, Tela	Box, Fabric	Sac, Toile	Sack, Tuck	
9	22608523/0	1	Rinforzo Inf	Stiffening Lower	Réinforcement Inf	Verstärkung	