

# Genuine Spare Parts

Catalogo delle parti di ricambio  
Spare parts catalogue  
Catalogue des pieces de rechange  
Ersatzteilkatalog

# 2010

- Use GLOBAL GARDEN PRODUCT Genuine Spare Parts specified in the parts list for repair and/or replacement.
- The contents described in the parts list may change due to improvement.
- The drawings of the spare parts are only indicative and might not represent the part in question exactly.
- The indications "right" - "left" - "front" - "rear" refer to the position of the operator when using the machine.
- When placing orders of parts for repair and/or replacement, make sure that the illustrated parts list is the one applying to the machine's year of manufacture, as shown on the identification plate attached to the machine.

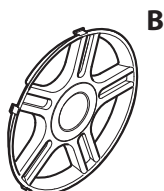
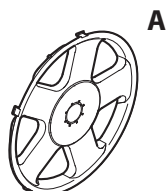
COPYRIGHT by GLOBAL GARDEN PRODUCTS

All rights reserved. No part of this material may be reproduced or transmitted, in any form or by any means, electronic or mechanical, including photocopying, recording or by any information storage and retrieval system, without permission in writing from GLOBAL GARDEN PRODUCTS.



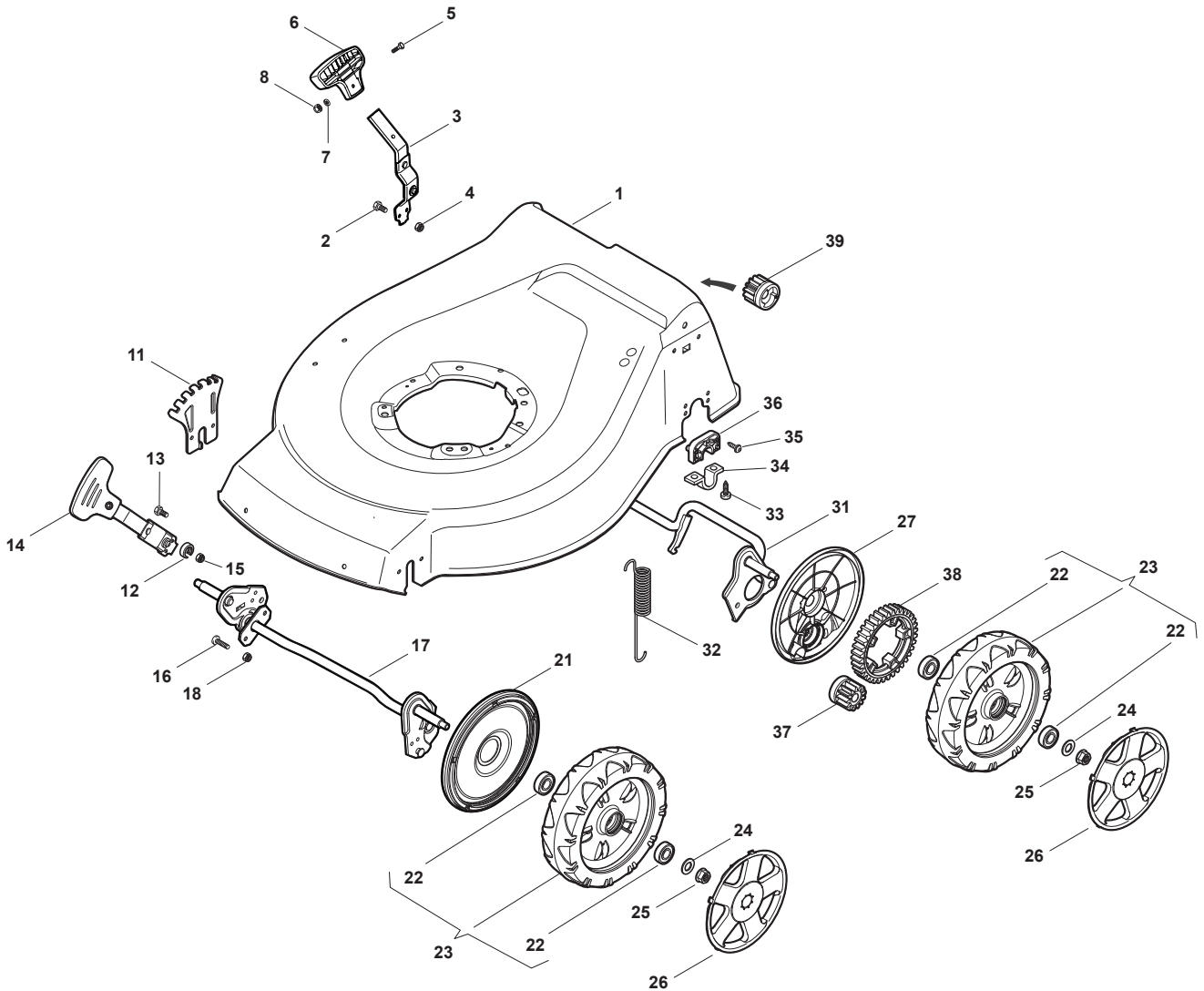
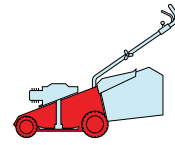
**GLOBAL GARDEN PRODUCTS**

## ENCLOSURE 2



| POS. | CODE       | Q.TY | DESCRIZIONE       | DESCRIPTION  | DESCRIPTION       | BESCHREIBUNG  | REMARKS |
|------|------------|------|-------------------|--------------|-------------------|---------------|---------|
| A    | 22110382/0 |      | Coprimezzo Grigio | Hub Cap Grey | Couvre-Moyeu Gris | Radkappe Grau |         |
| B    | 22110492/0 |      | Coprimezzo Grigio | Hub Cap Grey | Couvre-Moyeu Gris | Radkappe Grau |         |
| C    | 22110417/0 |      | Coprimezzo Grigio | Hub Cap Grey | Couvre-Moyeu Gris | Radkappe Grau |         |

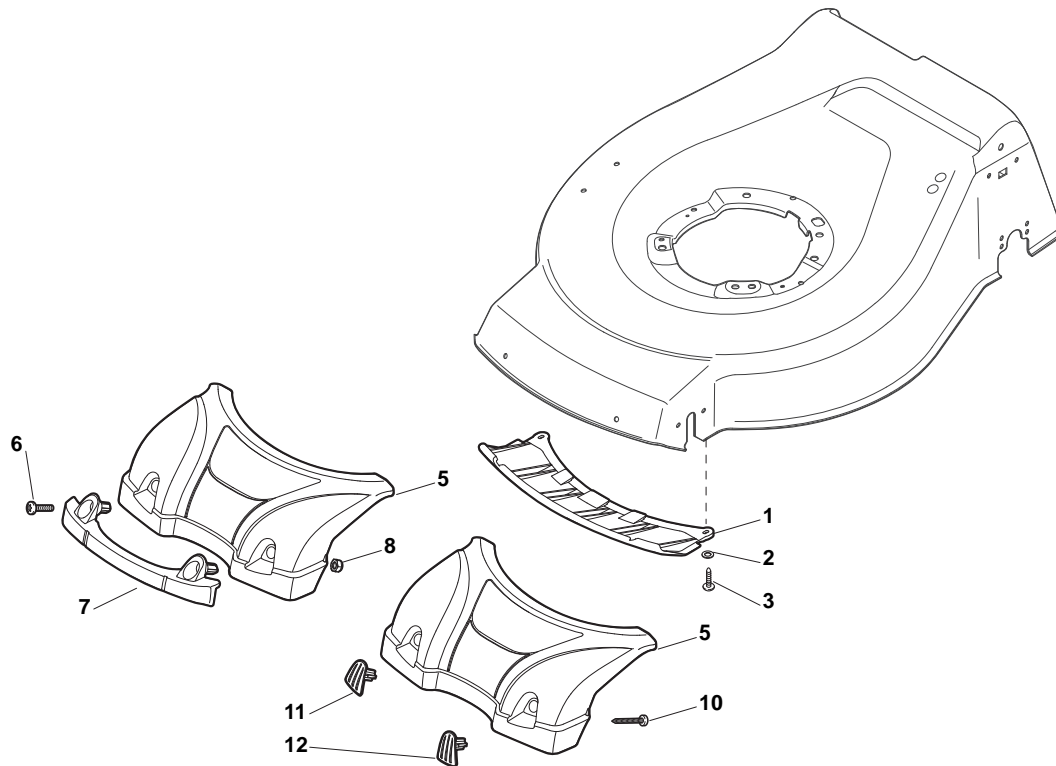
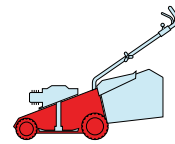
|     |       |        |          |
|-----|-------|--------|----------|
| NT  |       | NTL    |          |
| 484 |       | 534    |          |
| TRQ | TRQ/E | TRQ 4S | TRQ/E 4S |



| POS. | CODE        | Q.TY | DESCRIZIONE                    | DESCRIPTION                  | DESCRIPTION             | BESCHREIBUNG            | REMARKS |
|------|-------------|------|--------------------------------|------------------------------|-------------------------|-------------------------|---------|
| 1    | 381003912/0 | 1    | Chassis Rosso                  | Deck Red                     | Châssis Rouge           | Gehäuse Rot             | 484     |
| 1    | 381003917/0 | 1    | Chassis Nero                   | Deck Black                   | Châssis Noir            | Gehäuse Schwarz         | 484     |
| 1    | 381003911/0 | 1    | Chassis Rosso                  | Deck Red                     | Châssis Rouge           | Gehäuse Rot             | 534     |
| 1    | 381003978/0 | 1    | Chassis Grigio                 | Deck Grey                    | Châssis Gris            | Gehäuse Grau            | 534     |
| 1    | 381003918/0 | 1    | Chassis Nero                   | Deck Black                   | Châssis Noir            | Gehäuse Schwarz         | 534     |
| 2    | 12789000/0  | 2    | Vite                           | Screw                        | Vis                     | Schraube                |         |
| 3    | 381003339/1 | 1    | Leva Regolazione<br>Altezza    | Lever, Height Adjustment     | Levier, Reglage Hauteur | Hebel, Höheverstellung  |         |
| 4    | 12154330/0  | 2    | Dado                           | Nut                          | Ecrou                   | Mutter                  |         |
| 5    | 12788512/0  | 1    | Vite                           | Screw                        | Vis                     | Schraube                |         |
| 6    | 322394503/0 | 1    | Manopolina                     | Knob                         | Poignée                 | Griff                   |         |
| 7    | 12521310/0  | 1    | Rondella                       | Washer                       | Rondelle                | Scheibe                 |         |
| 8    | 12150000/0  | 1    | Dado                           | Nut                          | Ecrou                   | Mutter                  |         |
| 11   | 322735587/0 | 1    | Settore Regolazione<br>Altezza | Sector, Height<br>Adjustment | Secteur Reglage Hauteur | Sektor, Höheverstellung |         |
| 12   | 22171002/0  | 2    | Distanziale                    | Spacer                       | Entretoise              | Distanzring             |         |
| 13   | 12789000/0  | 2    | Vite                           | Screw                        | Vis                     | Schraube                |         |

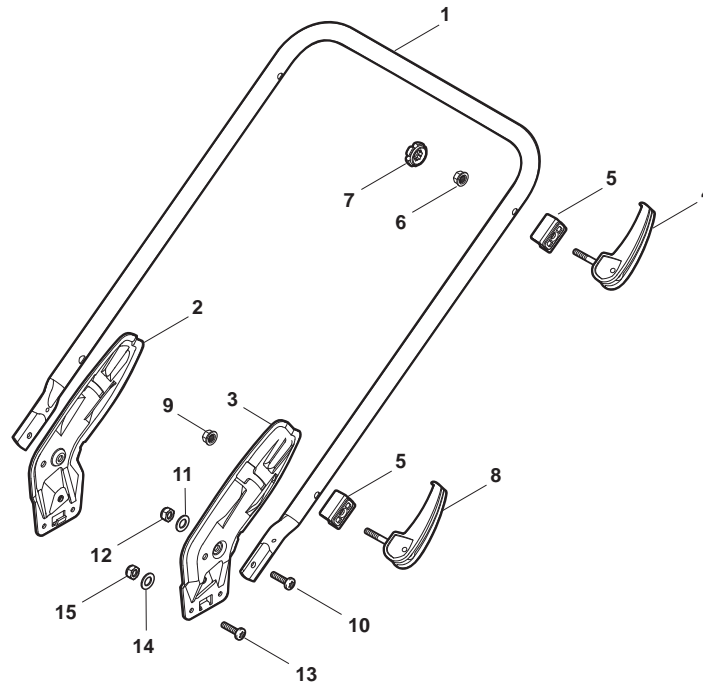
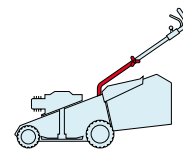
| POS. | CODE        | Q.TY | DESCRIZIONE                 | DESCRIPTION              | DESCRIPTION            | BESCHREIBUNG           | REMARKS           |
|------|-------------|------|-----------------------------|--------------------------|------------------------|------------------------|-------------------|
| 14   | 381003351/0 | 1    | Leva Regolazione<br>Altezza | Lever, Height Adjustment | Levier Reglage Hauteur | Hebel, Höneverstellung |                   |
| 15   | 12154330/0  | 2    | Dado                        | Nut                      | Ecrou                  | Mutter                 |                   |
| 16   | 112727803/0 | 4    | Vite                        | Screw                    | Vis                    | Schraube               |                   |
| 17   | 381002881/0 | 1    | Asse Ruote Anteriori        | Axle, Front Wheels       | Axe Roues Avant        | Achse, Vorderrad       | 484               |
| 17   | 381002885/0 | 1    | Asse Ruote Anteriori        | Axle, Front Wheels       | Axe Roues Avant        | Achse, Vorderrad       | 534               |
| 18   | 12154510/0  | 4    | Dado                        | Nut                      | Ecrou                  | Mutter                 |                   |
| 21   | 322600145/0 | 2    | Prot. Ruote                 | Protection, Wheel        | Protection Roue        | Schütz, Räder          |                   |
| 22   | 19216035/0  | 8    | Cuscinetto                  | Bearing                  | Coussinet              | Lager                  |                   |
| 23   | 381007416/0 | 4    | Ruota Ø 200                 | Ruota Ø 200              | Roue Ø 200             | Rad Ø 200              |                   |
| 24   | 12521350/0  | 4    | Rondella                    | Washer                   | Rondelle               | Scheibe                |                   |
| 25   | 12155000/0  | 4    | Dado                        | Nut                      | Ecrou                  | Mutter                 |                   |
| 26   | -           | 4    | Coprimozzo                  | Hub Cap                  | Couvre-Moyeu           | Radkappe               | (See Enclosure 2) |
| 27   | 322600193/0 | 2    | Prot. Ruote                 | Protection, Wheel        | Protection Roue        | Schütz, Räder          |                   |
| 31   | 381002891/0 | 1    | Asse Ruote Posteriori       | Axle, Rear Wheels        | Axe Roues Arriere      | Achse, Hinterrad       |                   |
| 32   | 122450460/0 | 1    | Molla                       | Spring                   | Ressort                | Feder                  |                   |
| 33   | 112728697/0 | 4    | Vite                        | Screw                    | Vis                    | Schraube               |                   |
| 34   | 22545152/0  | 2    | Piastrina                   | Plate                    | Plaquette              | Platte                 |                   |
| 35   | 112728697/0 | 4    | Vite                        | Screw                    | Vis                    | Schraube               |                   |
| 36   | 322785304/0 | 2    | Supporto                    | Support                  | Support                | Halter                 |                   |
| 37   | 22570120/1  | 1    | Pignone Sx                  | Pinion L                 | Pignon G               | Ritzel Linkes          |                   |
| 38   | 322120114/0 | 2    | Corona Trascinamento        | Ring Gear                | Couronne               | Kranz                  |                   |
| 39   | 22570110/1  | 1    | Pignone Dx                  | Pinion R                 | Pignon D               | Ritzel Rechtes         |                   |

|     |      |       |         |
|-----|------|-------|---------|
| NT  |      | NTL   |         |
| 484 |      | 534   |         |
| TR  | TR/E | TR 4S | TR/E 4S |



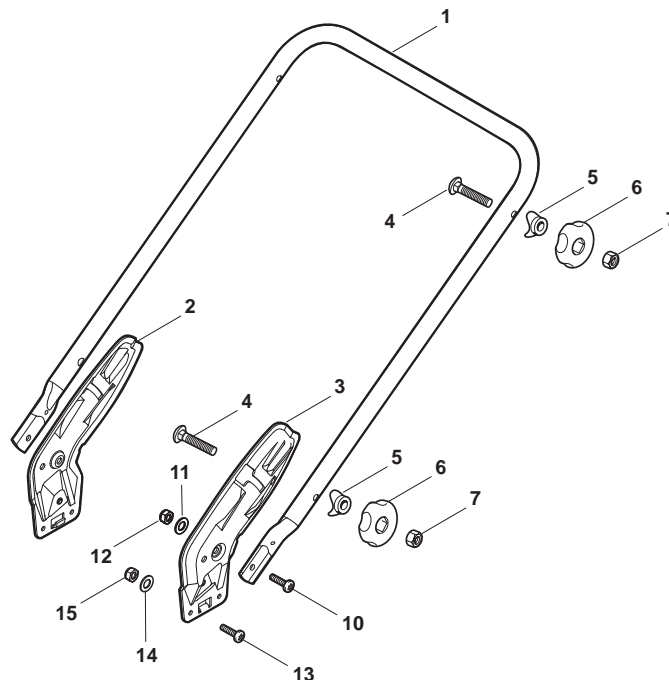
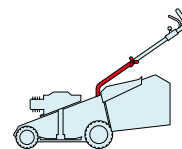
| POS. | CODE        | Q.TY | DESCRIZIONE         | DESCRIPTION      | DESCRIPTION         | BESCHREIBUNG   | REMARKS |
|------|-------------|------|---------------------|------------------|---------------------|----------------|---------|
| 1    | 322500102/0 | 1    | Griglia Aspirazione | Air Intake Grill | Grille D'Aspiration | Ansauggitter   | 484     |
| 1    | 322500103/0 | 1    | Griglia Aspirazione | Air Intake Grill | Grille D'Aspiration | Ansauggitter   | 534     |
| 2    | 112523000/1 | 2    | Rosetta             | Washer           | Rondelle            | Scheibe        |         |
| 3    | 12728124/0  | 2    | Vite                | Screw            | Vis                 | Schraube       |         |
| 5    | 322226143/0 | 1    | Mascherina, Rosso   | Mask, Red        | Mesque, Rouge       | Maske, Rot     | 484     |
| 5    | 322226153/0 | 1    | Mascherina, Nero    | Mask, Black      | Mesque, Noire       | Maske, Schwarz | 484     |
| 5    | 322226155/0 | 1    | Mascherina, Giallo  | Mask, Yellow     | Mesque, Jaune       | Maske, Gelb    | 484     |
| 5    | 322226145/0 | 1    | Mascherina, Rosso   | Mask, Red        | Mesque, Rouge       | Maske, Rot     | 534     |
| 5    | 322226154/0 | 1    | Mascherina, Nero    | Mask, Black      | Mesque, Noire       | Maske, Schwarz | 534     |
| 6    | 112727799/0 | 2    | Vite                | Screw            | Vis                 | Schraube       |         |
| 7    | 322393638/0 | 1    | Maniglia, Nero      | Handle, Black    | Poignee, Noire      | Griff, Schwarz |         |
| 7    | 322393639/0 | 1    | Maniglia, Grigio    | Handle, Grey     | Poignee, Gris       | Griff, Grau    |         |
| 8    | 12154510/0  | 2    | Dado                | Nut              | Ecrou               | Mutter         |         |
| 10   | 112728697/0 | 2    | Vite                | Screw            | Vis                 | Schraube       |         |
| 11   | 322820082/0 | 1    | Tappo               | Cap              | Bouchon             | Gummistopfen   |         |
| 12   | 322820083/0 | 1    | Tappo               | Cap              | Bouchon             | Gummistopfen   |         |

|     |       |        |          |
|-----|-------|--------|----------|
| NT  |       | NTL    |          |
| 484 |       | 534    |          |
| TRQ | TRQ/E | TRQ 4S | TRQ/E 4S |



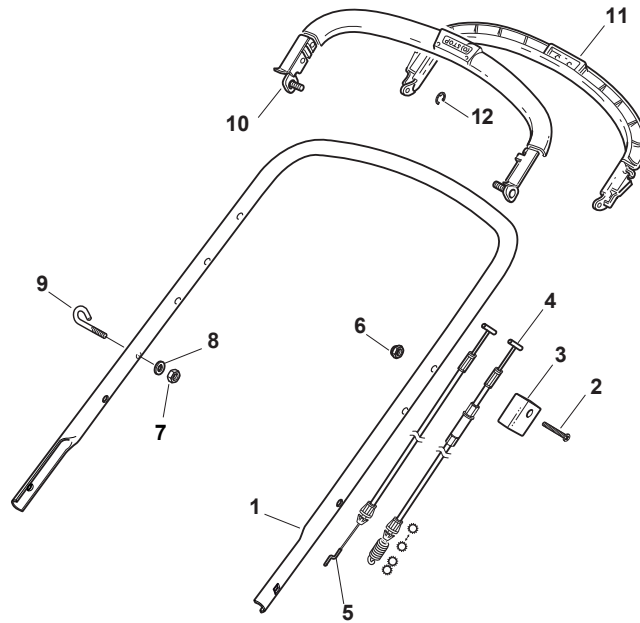
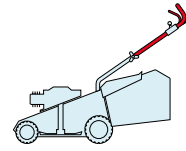
| POS. | CODE        | Q.TY | DESCRIZIONE       | DESCRIPTION        | DESCRIPTION                  | BESCHREIBUNG    | REMARKS |
|------|-------------|------|-------------------|--------------------|------------------------------|-----------------|---------|
| 1    | 381006889/0 | 1    | Manico, Parte Inf | Handle, Lower Part | Mancheron, Partie Inferieure | Holm, Unterteil | 484     |
| 1    | 381006891/0 | 1    | Manico, Parte Inf | Handle, Lower Part | Mancheron, Partie Inferieure | Holm, Unterteil | 534     |
| 2    | 381005125/0 | 1    | Staffa Dx         | Bracket, R         | Bride D                      | Pratze, Rechte  |         |
| 3    | 381005127/0 | 1    | Staffa Sx         | Bracket, L         | Bride G                      | Pratze, Linke   |         |
| 4    | 381003253/0 | 2    | Maniglia          | Handle             | Poignee                      | Griff           |         |
| 5    | 322680016/0 | 4    | Supporto          | Support            | Support                      | Halter          |         |
| 6    | 22131750/0  | 2    | Dado              | Nut                | Ecrou                        | Mutter          |         |
| 7    | 322399835/0 | 2    | Manopolina        | Knob               | Poignée                      | Griff           |         |
| 8    | 381003254/0 | 1    | Maniglia          | Handle             | Poignee                      | Griff           |         |
| 9    | 112154220/0 | 2    | Dado              | Nut                | Ecrou                        | Mutter          |         |
| 10   | 12760605/0  | 2    | Vite              | Screw              | Vis                          | Schraube        |         |
| 11   | 12521350/0  | 2    | Rosetta           | Washer             | Rondelle                     | Scheibe         |         |
| 12   | 12155000/0  | 2    | Dado              | Nut                | Ecrou                        | Mutter          |         |
| 13   | 112727803/0 | 6    | Vite              | Screw              | Vis                          | Schraube        |         |
| 14   | 12523040/0  | 6    | Rosetta           | Washer             | Rondelle                     | Scheibe         |         |
| 15   | 12154510/0  | 6    | Dado              | Nut                | Ecrou                        | Mutter          |         |

|     |       |        |          |
|-----|-------|--------|----------|
| NT  |       | NTL    |          |
| 484 |       | 534    |          |
| TRQ | TRQ/E | TRQ 4S | TRQ/E 4S |



| POS. | CODE        | Q.TY | DESCRIZIONE       | DESCRIPTION        | DESCRIPTION                  | BESCHREIBUNG    | REMARKS |
|------|-------------|------|-------------------|--------------------|------------------------------|-----------------|---------|
| 1    | 381006889/0 | 1    | Manico, Parte Inf | Handle, Lower Part | Mancheron, Partie Inférieure | Holm, Unterteil | 484     |
| 1    | 381006891/0 | 1    | Manico, Parte Inf | Handle, Lower Part | Mancheron, Partie Inférieure | Holm, Unterteil | 534     |
| 2    | 381005125/0 | 1    | Staffa Dx         | Bracket, R         | Bride D                      | Pratze, Rechte  |         |
| 3    | 381005127/0 | 1    | Staffa Sx         | Bracket, L         | Bride G                      | Pratze, Linke   |         |
| 4    | 12819120/0  | 4    | Vite              | Screw              | Vis                          | Schraube        |         |
| 5    | 22680006/1  | 4    | Rosetta           | Washer             | Rondelle                     | Scheibe         |         |
| 6    | 322399804/1 | 4    | Manopolina        | Knob               | Poignée                      | Griff           |         |
| 7    | 12293200/0  | 4    | Dado              | Nut                | Ecrou                        | Mutter          |         |
| 10   | 12760605/0  | 2    | Vite              | Screw              | Vis                          | Schraube        |         |
| 11   | 12521350/0  | 2    | Rosetta           | Washer             | Rondelle                     | Scheibe         |         |
| 12   | 12155000/0  | 2    | Dado              | Nut                | Ecrou                        | Mutter          |         |
| 13   | 112727803/0 | 6    | Vite              | Screw              | Vis                          | Schraube        |         |
| 14   | 12523040/0  | 6    | Rosetta           | Washer             | Rondelle                     | Scheibe         |         |
| 15   | 12154510/0  | 6    | Dado              | Nut                | Ecrou                        | Mutter          |         |

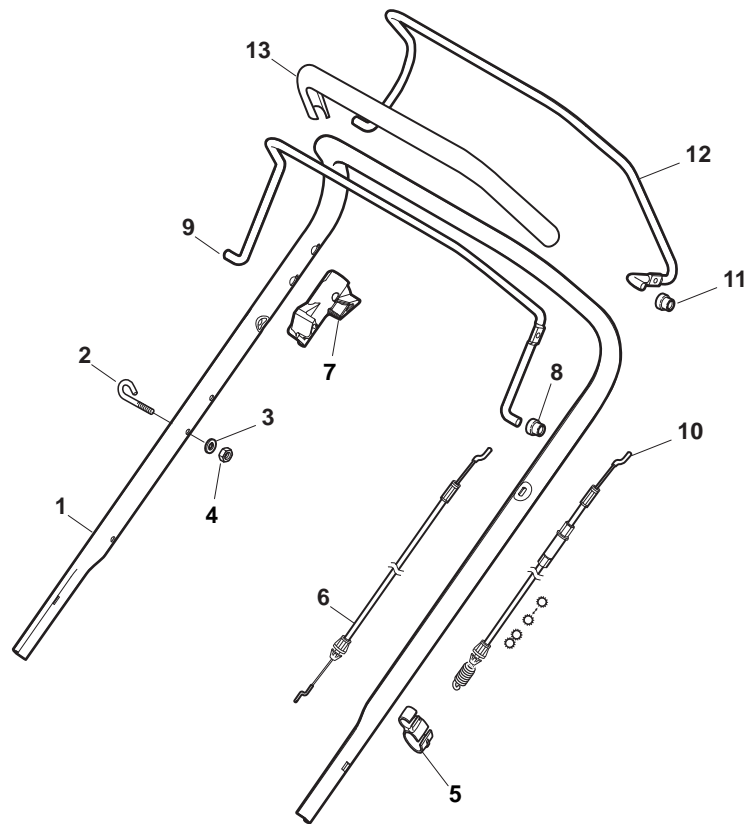
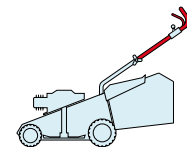
|     |       |        |          |
|-----|-------|--------|----------|
| NT  |       | NTL    |          |
| 484 |       | 534    |          |
| TRQ | TRQ/E | TRQ 4S | TRQ/E 4S |



| POS. | CODE        | Q.TY | DESCRIZIONE              | DESCRIPTION                   | DESCRIPTION                  | BESCHREIBUNG       | REMARKS                 |
|------|-------------|------|--------------------------|-------------------------------|------------------------------|--------------------|-------------------------|
| 1    | 81006979/2  | 1    | Manico, Parte Sup        | Handle, Upper Part            | Mancheron, Partie Supérieure | Holm, Oberteil     |                         |
| 2    | 12727787/0  | 1    | Vite                     | Screw                         | Vis                          | Schraube           |                         |
| 3    | 22551640/0  | 1    | Piastrina                | Plate                         | Plaquette                    | Plättchen          |                         |
| 4    | 381030055/0 | 1    | Cavo Comando<br>Trazione | Cable, Rear Drive             | Câble, Comm. Traction        | Kabel, Antrieb     |                         |
| 5    | 181030056/0 | 1    | Cavo Freno Motore        | Cable, Thread Engine<br>Brake | Cable Frein Moteur           | Kabel, Motorbremse |                         |
| 5    | 181030057/0 | 1    | Cavo Freno Motore        | Cable, Thread Engine<br>Brake | Cable Frein Moteur           | Kabel, Motorbremse | 484 (GGP M150-V35-SV40) |
| 6    | 12154510/0  | 1    | Dado                     | Nut                           | Ecrou                        | Mutter             |                         |
| 7    | 12154510/0  | 1    | Dado                     | Nut                           | Ecrou                        | Mutter             |                         |
| 8    | 12521330/0  | 1    | Rosetta                  | Washer                        | Rondelle                     | Scheibe            |                         |
| 9    | 22430313/0  | 1    | Molla Guida              | Guide Spring                  | Ressort De Guide             | Feder Führer       |                         |
| 10   | 381003330/0 | 1    | Leva Freno Motore        | Lever, Engine Brake           | Levier Frein Moteur          | Hebel, Motorbremse |                         |
| 11   | 81003297/1  | 1    | Leva Trazione            | Driving Lever                 | Levier Traction              | Antriebhebel       |                         |
| 12   | 12000930/0  | 1    | Anello Elastico          | Snap Ring                     | Anneau Ressort               | Sprengring         |                         |



|     |       |        |          |
|-----|-------|--------|----------|
| NT  |       | NTL    |          |
| 484 |       | 534    |          |
| TRQ | TRQ/E | TRQ 4S | TRQ/E 4S |

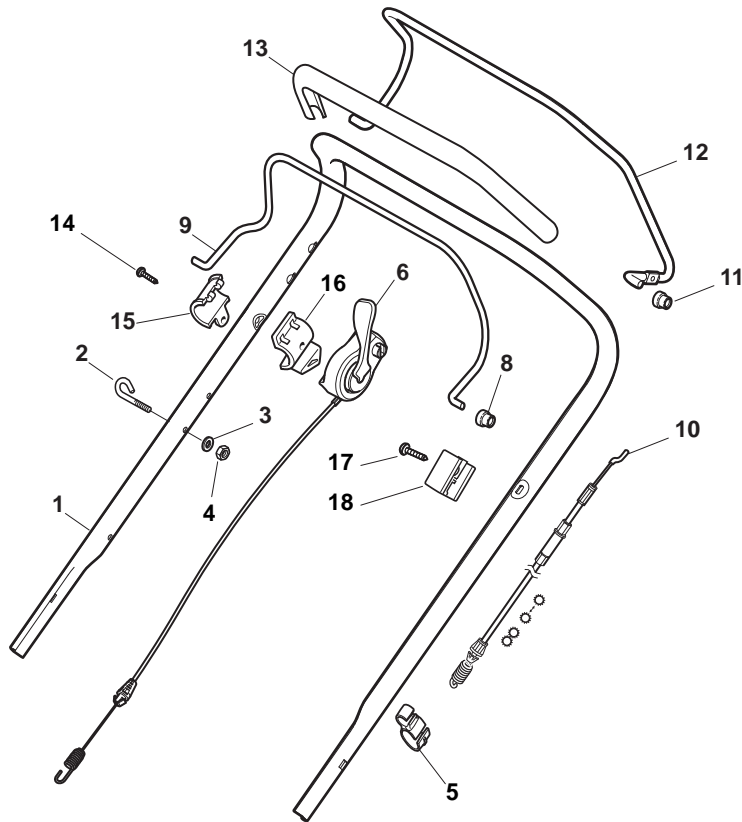
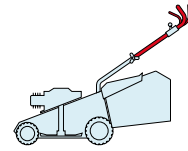


| POS. | CODE        | Q.TY | DESCRIZIONE                                  | DESCRIPTION                             | DESCRIPTION                                      | BESCHREIBUNG                     | REMARKS   |
|------|-------------|------|--|---|--|----------------------------------|---|
| 1    | 381006887/0 | 1    | Manico, Parte Sup                            | Handle, Upper Part                      | Mancheron, Partie Supérieure                     | Holm, Oberteil                   |   |
| 1    | 381006807/0 | 1    | Manico, Parte Sup. con impugantura in spugna | Handle, Upper Part with sponge handgrip | Mancheron, Partie Supérieure avec éponge poignée | Holm, Oberteil Handgriff Schwamm |   |
| 2    | 22430313/0  | 1    | Molla Guida                                  | Guide Spring                            | Ressort De Guide                                 | Feder Führer                     |   |
| 3    | 12521330/0  | 1    | Rosetta                                      | Washer                                  | Rondelle   | Scheibe                          |   |
| 4    | 12154510/0  | 1    | Dado   | Nut                                     | Ecrou  | Mutter                           |   |
| 5    | 118390020/0 | 1    | Fermacavo                                    | Fairlead                                | Fixation Cable                                   | Kabelbefestigung                 |   |
| 6    | 181030053/0 | 1    | Cavo Freno Motore                            | Cable, Thread Eng. Brake                | Cable Frein Moteur                               | Kabel, Motorbremse               | 484 (GGP 140-160-196 / B&S 625-675)             |
| 6    | 181030053/0 | 1    | Cavo Freno Motore                            | Cable, Thread Eng. Brake                | Cable Frein Moteur                               | Kabel, Motorbremse               | 534 (GGP 140-160-196 / B&S 450-500-550-625-675) |
| 6    | 181030056/0 | 1    | Cavo Freno Motore                            | Cable, Thread Eng. Brake                | Cable Frein Moteur                               | Kabel, Motorbremse               | 484 (B&S 450-500-550)                           |
| 6    | 181030054/0 | 1    | Cavo Freno Motore                            | Cable, Thread Eng. Brake                | Cable Frein Moteur                               | Kabel, Motorbremse               | 484 (GGP M150-V35-SV40)                         |
| 6    | 181030069/0 | 1    | Cavo Freno Motore                            | Cable, Thread Eng. Brake                | Cable Frein Moteur                               | Kabel, Motorbremse               | 484 (HONDA 135-160-190)                         |
| 6    | 181030070/0 | 1    | Cavo Freno Motore                            | Cable, Thread Eng. Brake                | Cable Frein Moteur                               | Kabel, Motorbremse               | 534 (HONDA 135-160-190)                         |
| 7    | 322545204/0 | 1    | Fulcro                                       | Fulcrum Pin                             | Point D'Appui                                    | Gelenkpunkt                      |   |
| 8    | 22041966/0  | 2    | Bussola                                      | Bush                                    | Douille  | Buchse                           |   |
| 9    | 181003300/0 | 1    | Leva Freno Motore                            | Lever, Engine Brake                     | Levier Frein Moteur                              | Hebel, Motorbremse               |   |



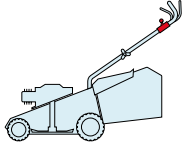
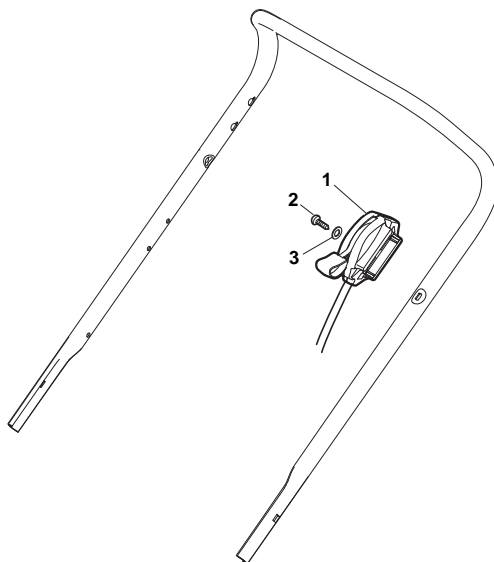
| POS. | CODE        | Q.TY | DESCRIZIONE                | DESCRIPTION       | DESCRIPTION              | BESCHREIBUNG      | REMARKS                                 |
|------|-------------|------|----------------------------|-------------------|--------------------------|-------------------|---|
| 10   | 381030051/0 | 1    | Cavo Comando<br>Trazione   | Cable, Rear Drive | Câble, Commande Traction | Kabel, Antrieb    |   |
| 11   | 22041966/0  | 2    | Bussola                    | Bush              | Douille                  | Buchse            |   |
| 12   | 181003301/0 | 1    | Leva Trazione              | Lever, Driving    | Levier Traction          | Hebel, Antrieb    |   |
| 13   | 22291050/0  | 1    | Impugnatura Manico<br>Nera | Handgrip Black    | Poignée Noire            | Handgriff Schwarz | only for handle part no.<br>381006887/0 |
| 14   | 22551640/0  | 1    | Piastrina                  | Plate             | Plaquette                | Plättchen         |   |
| 15   | 12728640/0  | 1    | Vite                       | Screw             | Vis                      | Schraube          |   |

|     |       |        |          |
|-----|-------|--------|----------|
| NT  |       | NTL    |          |
| 484 |       | 534    |          |
| TRQ | TRQ/E | TRQ 4S | TRQ/E 4S |



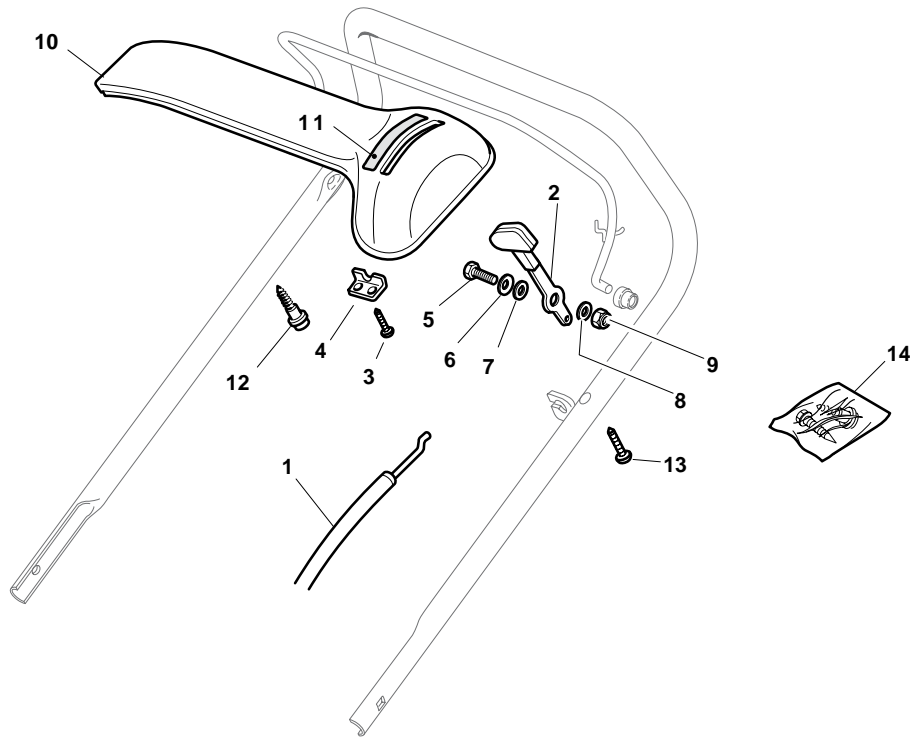
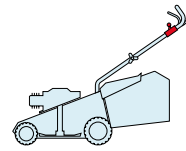
| POS. | CODE        | Q.TY | DESCRIZIONE                     | DESCRIPTION              | DESCRIPTION                        | BESCHREIBUNG                | REMARKS |
|------|-------------|------|---------------------------------|--------------------------|------------------------------------|-----------------------------|---------|
| 1    | 381006893/0 | 1    | Manico, Parte Sup               | Handle, Upper Part       | Manchon, Partie Supérieure         | Holm, Oberteil              |         |
| 2    | 22430313/0  | 1    | Molla Guida                     | Guide Spring             | Ressort De Guide                   | Feder Führer                |         |
| 3    | 12521330/0  | 1    | Rosetta                         | Washer                   | Rondelle                           | Scheibe                     |         |
| 4    | 12154510/0  | 1    | Dado                            | Nut                      | Ecrou                              | Mutter                      |         |
| 5    | 118390020/0 | 1    | Fermacavo                       | Fairlead                 | Fixation Cable                     | Kabelbefestigung            |         |
| 6    | 381030060/0 | 1    | Cavo Comando Frizione Meccanica | Cable, Mechanical Clutch | Câble, Commande Embayage Mecanique | Kabel, Mechanische Kupplung |         |
| 8    | 22041966/0  | 2    | Bussola                         | Bush                     | Douille                            | Buchse                      |         |
| 9    | 181003332/1 | 1    | Leva Freno Motore               | Lever, Engine Brake      | Levier Frein Moteur                | Hebel, Motorbremse          |         |
| 10   | 381030051/0 | 1    | Cavo Comando Trazione           | Cable, Rear Drive        | Câble, Commande Traction           | Kabel, Antrieb              |         |
| 11   | 22041966/0  | 2    | Bussola                         | Bush                     | Douille                            | Buchse                      |         |
| 12   | 181003301/0 | 1    | Leva Trazione                   | Lever, Driving           | Levier Traction                    | Hebel, Antrieb              |         |
| 13   | 22291050/0  | 1    | Impugnatura Manico Nera         | Handgrip Black           | Poignée Noire                      | Handgriff Schwarz           |         |
| 14   | 12728688/0  | 1    | Vite                            | Screw                    | Vis                                | Schraube                    |         |
| 15   | 322545207/0 | 1    | Protezione Dx                   | R Protection             | Protection D                       | Rechte Schutz               |         |
| 16   | 322545208/0 | 1    | Protezione Sx                   | L Protection             | Protection G                       | Linke Schutz                |         |
| 17   | 22551640/0  | 1    | Piastrina                       | Plate                    | Plaquette                          | Plättchen                   |         |
| 18   | 12728640/0  | 1    | Vite                            | Screw                    | Vis                                | Schraube                    |         |

|     |       |        |          |
|-----|-------|--------|----------|
| NT  |       | NTL    |          |
| 484 |       | 534    |          |
| TRQ | TRQ/E | TRQ 4S | TRQ/E 4S |

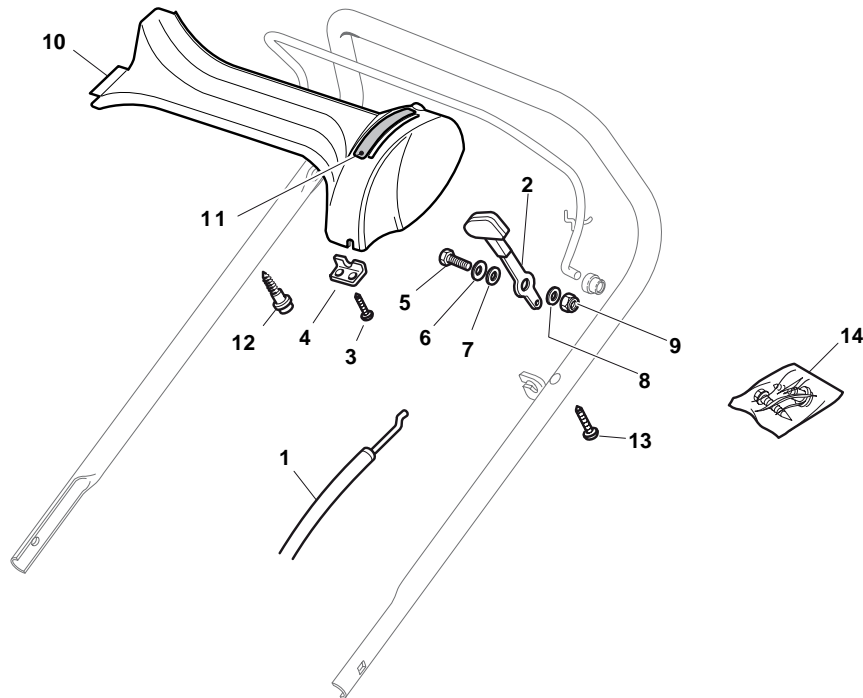
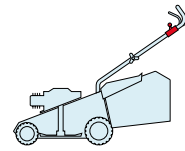
| POS. | CODE        | Q.TY | DESCRIZIONE       | DESCRIPTION    | DESCRIPTION         | BESCHREIBUNG   | REMARKS                           |
|------|-------------|------|-------------------|----------------|---------------------|----------------|-----------------------------------|
| 1    | 181005501/1 | 1    | Cavo Acceleratore | Throttle Cable | Cable, Accelérateur | Gashebel Kabel | (GGP 140-160-190 cc)              |
| 1    | 181005501/1 | 1    | Cavo Acceleratore | Throttle Cable | Cable, Accelérateur | Gashebel Kabel | (Honda GCV 135-160-190)           |
| 1    | 181005502/1 | 1    | Cavo Acceleratore | Throttle Cable | Cable, Accelérateur | Gashebel Kabel | (B&S 450-500-550-625-675-700)     |
| 1    | 181005503/1 | 1    | Cavo Acceleratore | Throttle Cable | Cable, Accelérateur | Gashebel Kabel | (Honda GCV 135-160-190 Autochoke) |
| 1    | 181005504/1 | 1    | Cavo Acceleratore | Throttle Cable | Cable, Accelérateur | Gashebel Kabel | (Ggp 150cc)                       |
| 1    | 181005505/1 | 1    | Cavo Acceleratore | Throttle Cable | Cable, Accelérateur | Gashebel Kabel | 534 BBC (B&S 675)                 |
| 1    | 181005506/1 | 1    | Cavo Acceleratore | Throttle Cable | Cable, Accelérateur | Gashebel Kabel | 534 BBC (Honda GCV 190)           |
| 2    | 12735103/0  | 1    | Vite              | Screw          | Vis                 | Schraube       |                                   |
| 3    | 12523040/0  | 1    | Rosetta           | Washer         | Rondelle            | Scheibe        |                                   |

|     |       |        |          |
|-----|-------|--------|----------|
| NT  |       | NTL    |          |
| 484 |       | 534    |          |
| TRQ | TRQ/E | TRQ 4S | TRQ/E 4S |



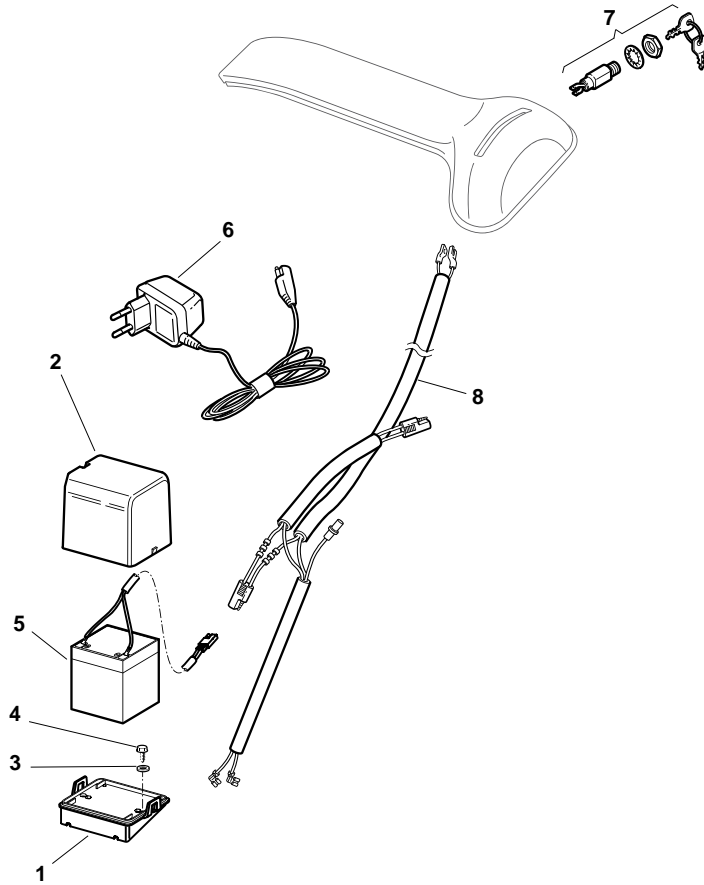
| POS. | CODE        | Q.TY | DESCRIZIONE                 | DESCRIPTION               | DESCRIPTION               | BESCHREIBUNG            | REMARKS   |
|------|-------------|------|-----------------------------|---------------------------|---------------------------|-------------------------|---|
| 1    | 81007160/0  | 1    | Cavo Acceleratore           | Throttle Cable            | Cable, Accelérateur       | Gashebel Kabel          |   |
| 2    | 81007280/2  | 1    | Leva, Acceleratore          | Lever, Throttle           | Levier,                   | Hebel, Beshleuniger     | (B&S 625-675-700 Series - Honda - Ggp 140-160-196 cc) |
| 2    | 81007221/0  | 1    | Leva, Acceleratore          | Lever, Throttle           | Levier,                   | Hebel, Beshleuniger     | (B&S 450-500 Series - Ggp 150 cc)                     |
| 3    | 12735105/0  | 2    | Vite                        | Screw                     | Vis                       | Schraube                |   |
| 4    | 22981467/0  | 1    | Piastrina                   | Plate                     | Plaquette                 | Platte                  |   |
| 5    | 12791500/0  | 1    | Vite                        | Screw                     | Vis                       | Schraube                |   |
| 6    | 12530060/0  | 1    | Rosetta Elastica            | Elastic Washer            | Rondelle Elastique        | Elastische Scheibe      |   |
| 7    | 12523040/0  | 1    | Rosetta                     | Washer                    | Rondelle                  | Scheibe                 |   |
| 8    | 12523040/0  | 1    | Rosetta                     | Washer                    | Rondelle                  | Scheibe                 |   |
| 9    | 12154510/0  | 1    | Dado                        | Nut                       | Ecrou                     | Mutter                  |   |
| 10   | 22120152/0  | 1    | Cruscotto Giallo            | Dash Board Yellow         | Console Jaune             | Konsole Gelbe           |   |
| 10   | 22120154/0  | 1    | Cruscotto Rosso             | Dash Board Red            | Console Rouge             | Konsole Rote            |   |
| 10   | 22120158/0  | 1    | Cruscotto Nero              | Dash Board Black          | Console Noire             | Konsole Schwarze        |   |
| 11   | 114356744/1 | 1    | Etichetta                   | Label                     | Etiquette                 | Etikette                | (B&S)   |
| 11   | 114356906/1 | 1    | Etichetta                   | Label                     | Etiquette                 | Etikette                | (B&S 700 series DOV)                                  |
| 11   | 114356743/1 | 1    | Etichetta                   | Label                     | Etiquette                 | Etikette                | (GGP)   |
| 11   | 114356743/1 | 1    | Etichetta                   | Label                     | Etiquette                 | Etikette                | (Honda)   |
| 11   | 114357646/1 | 1    | Etichetta                   | Label                     | Etiquette                 | Etikette                | (Honda GCV 160-190 Autochoke)                         |
| 12   | 22943006/0  | 1    | Vite                        | Screw                     | Vis                       | Schraube                |   |
| 13   | 12728460/0  | 1    | Vite                        | Screw                     | Vis                       | Schraube                |   |
| 14   | 81008609/0  | 1    | Dotazione Viteria Cruscotto | Outfit, Dash-Board Screws | Dotation Visserie Console | Satz, Konsole Schrauben |   |

|     |       |        |          |
|-----|-------|--------|----------|
| NT  |       | NTL    |          |
| 484 |       | 534    |          |
| TRQ | TRQ/E | TRQ 4S | TRQ/E 4S |



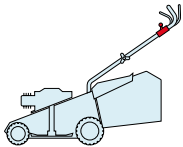
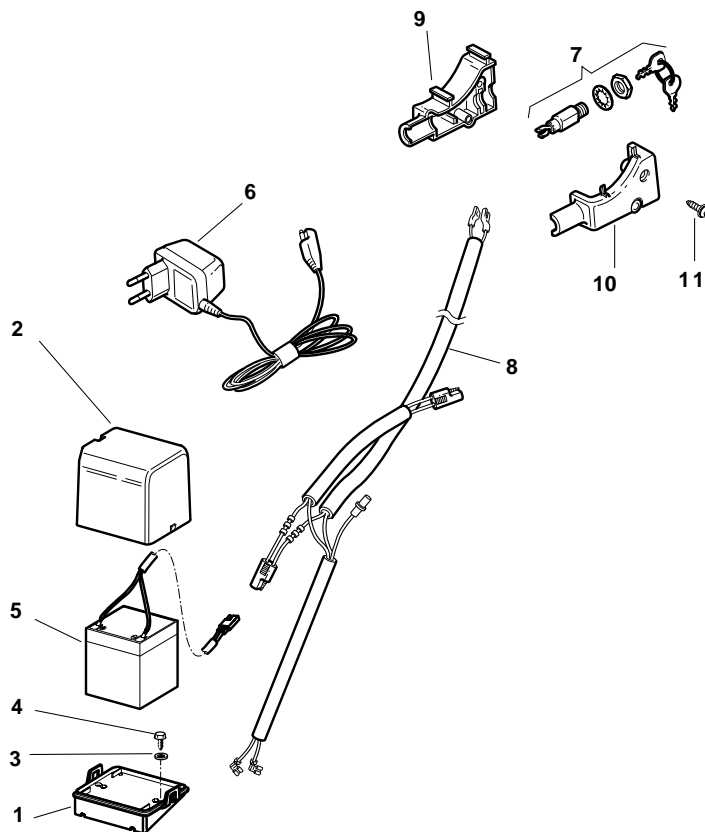
| POS. | CODE        | Q.TY | DESCRIZIONE                 | DESCRIPTION               | DESCRIPTION               | BESCHREIBUNG            | REMARKS   |
|------|-------------|------|-----------------------------|---------------------------|---------------------------|-------------------------|---|
| 1    | 81007160/0  | 1    | Cavo Acceleratore           | Throttle Cable            | Cable, Accelérateur       | Gashebel Kabel          |   |
| 2    | 81007280/2  | 1    | Leva, Acceleratore          | Lever, Throttle           | Levier,                   | Hebel, Beshleuniger     | (B&S 625-675-700 Series - Honda - Ggp 140-160-196 cc) |
| 2    | 81007221/0  | 1    | Leva, Acceleratore          | Lever, Throttle           | Levier,                   | Hebel, Beshleuniger     | (B&S 450-500 Series - Ggp 150 cc)                     |
| 3    | 12735105/0  | 2    | Vite                        | Screw                     | Vis                       | Schraube                |   |
| 4    | 22981467/0  | 1    | Piastrina                   | Plate                     | Plaquette                 | Platte                  |   |
| 5    | 12791500/0  | 1    | Vite                        | Screw                     | Vis                       | Schraube                |   |
| 6    | 12530060/0  | 1    | Rosetta Elastica            | Elastic Washer            | Rondelle Elastique        | Elastische Scheibe      |   |
| 7    | 12523040/0  | 1    | Rosetta                     | Washer                    | Rondelle                  | Scheibe                 |   |
| 8    | 12523040/0  | 1    | Rosetta                     | Washer                    | Rondelle                  | Scheibe                 |   |
| 9    | 12154510/0  | 1    | Dado                        | Nut                       | Ecrou                     | Mutter                  |   |
| 10   | 22120172/0  | 1    | Cruscotto Nero              | Dash Board Black          | Console Noire             | Konsole Schwarze        |   |
| 10   | 22120173/0  | 1    | Cruscotto Rosso             | Dash Board Red            | Console Rouge             | Konsole Rote            |   |
| 10   | 22120174/0  | 1    | Cruscotto Giallo            | Dash Board Yellow         | Console Jaune             | Konsole Gelbe           |   |
| 11   | 114356744/1 | 1    | Etichetta                   | Label                     | Etiquette                 | Etikette                | (B&S)   |
| 11   | 114356906/1 | 1    | Etichetta                   | Label                     | Etiquette                 | Etikette                | (B&S 700 series DOV)                                  |
| 11   | 114356743/1 | 1    | Etichetta                   | Label                     | Etiquette                 | Etikette                | (GGP)   |
| 11   | 114356743/1 | 1    | Etichetta                   | Label                     | Etiquette                 | Etikette                | (Honda)   |
| 11   | 114357646/1 | 1    | Etichetta                   | Label                     | Etiquette                 | Etikette                | (Honda GCV 160-190 Autochoke)                         |
| 12   | 22943006/0  | 1    | Vite                        | Screw                     | Vis                       | Schraube                |   |
| 13   | 12728460/0  | 1    | Vite                        | Screw                     | Vis                       | Schraube                |   |
| 14   | 81008609/0  | 1    | Dotazione Viteria Cruscotto | Outfit, Dash-Board Screws | Dotation Visserie Console | Satz, Konsole Schrauben |   |

|     |       |        |          |  |
|-----|-------|--------|----------|--|
| NT  |       | NTL    |          |  |
| 484 |       | 534    |          |  |
| TRQ | TRQ/E | TRQ 4S | TRQ/E 4S |  |



| POS. | CODE        | Q.TY | DESCRIZIONE       | DESCRIPTION      | DESCRIPTION      | BESCHREIBUNG     | REMARKS     |
|------|-------------|------|-------------------|------------------|------------------|------------------|-------------|
| 1    | 22785123/0  | 1    | Supporto Batteria | Support, Battery | Support Batterie | Halter, Batterie |             |
| 2    | 22109530/0  | 1    | Coperchio         | Cover            | Couvercle        | Deckel           |             |
| 3    | 12521310/0  | 2    | Rosetta           | Washer           | Rondelle         | Scheibe          |             |
| 4    | 12731590/0  | 2    | Vite              | Screw            | Vis              | Schraube         |             |
| 5    | 18120052/0  | 1    | Batteria          | Battery          | Batterie         | Batterie         |             |
| 6    | 18204120/0  | 1    | Carica Batteria   | Battery Charger  | Chargeur De      | Ladgerät         |             |
| 6    | 18204121/0  | 1    | Carica Batteria   | Battery Charger  | Chargeur De      | Ladgerät         | (UK)        |
| 7    | 18450050/0  | 1    | Interruttore      | Switch           | Interrupteur     | Schalter         |             |
| 8    | 118204192/3 | 1    | Cavo Avviamento   | Cable, Start     | Cable Démarrage  | Kabel, Start     | (B&S - GGP) |
| 8    | 18204198/0  | 1    | Cavo Avviamento   | Cable, Start     | Cable Démarrage  | Kabel, Start     | (Honda)     |

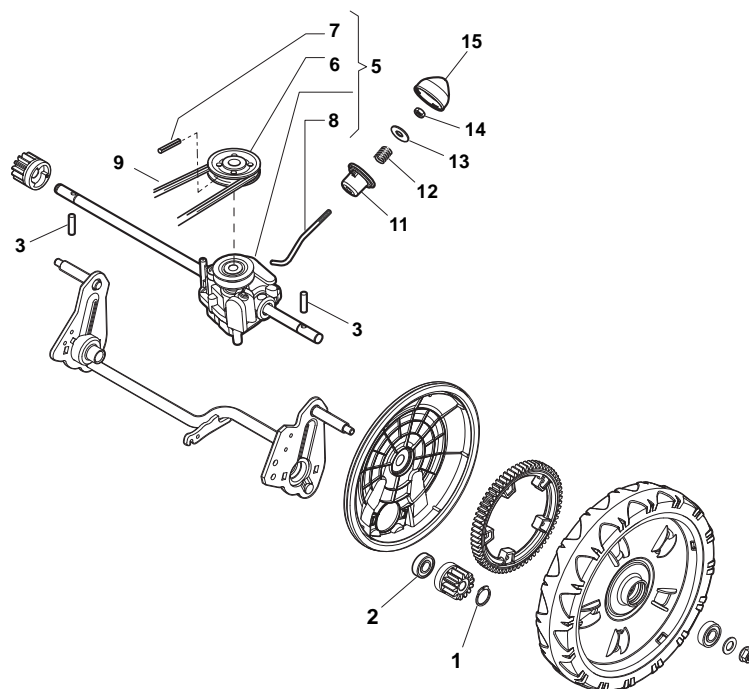
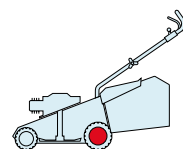
|     |       |        |          |
|-----|-------|--------|----------|
| NT  |       | NTL    |          |
| 484 |       | 534    |          |
| TRQ | TRQ/E | TRQ 4S | TRQ/E 4S |

| POS. | CODE        | Q.TY | DESCRIZIONE       | DESCRIPTION      | DESCRIPTION      | BESCHREIBUNG     | REMARKS     |
|------|-------------|------|-------------------|------------------|------------------|------------------|-------------|
| 1    | 22785123/0  | 1    | Supporto Batteria | Support, Battery | Support Batterie | Halter, Batterie |             |
| 2    | 22109530/0  | 1    | Coperchio         | Cover            | Couvercle        | Deckel           |             |
| 3    | 12521310/0  | 2    | Rosetta           | Washer           | Rondelle         | Scheibe          |             |
| 4    | 12731590/0  | 2    | Vite              | Screw            | Vis              | Schraube         |             |
| 5    | 18120052/0  | 1    | Batteria          | Battery          | Batterie         | Batterie         |             |
| 6    | 18204120/0  | 1    | Carica Batteria   | Battery Charger  | Chargeur De      | Ladgerät         |             |
| 6    | 18204121/0  | 1    | Carica Batteria   | Battery Charger  | Chargeur De      | Ladgerät         | (Uk)        |
| 7    | 18450050/0  | 1    | Interruttore      | Switch           | Interrupteur     | Schalter         |             |
| 8    | 118204192/3 | 1    | Cavo Avviamento   | Cable, Start     | Cable Démarrage  | Kabel, Start     | (B&S - GGP) |
| 8    | 18204198/0  | 1    | Cavo Avviamento   | Cable, Start     | Cable Démarrage  | Kabel, Start     | (Honda)     |
| 9    | 22722804/0  | 1    | Protezione Dx     | R Protection     | Protection D     | Rechte Schutz    |             |
| 10   | 22722805/0  | 1    | Protezione Sx     | L Protection     | Protection G     | Linke Schutz     |             |
| 11   | 12728300/0  | 1    | Vite              | Screw            | Vis              | Schraube         |             |

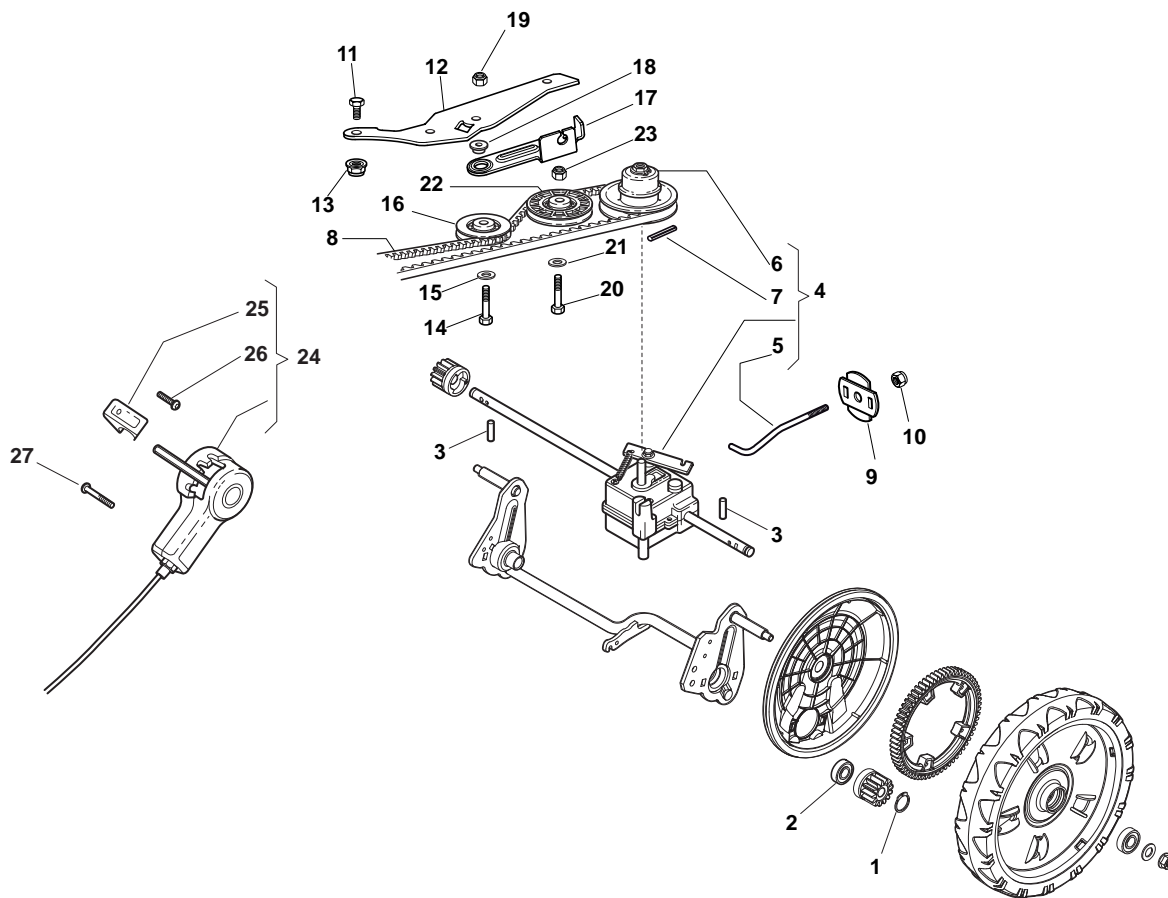
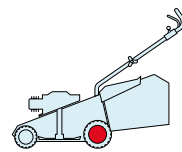


|     |       |        |          |
|-----|-------|--------|----------|
| NT  |       | NTL    |          |
| 484 |       | 534    |          |
| TRQ | TRQ/E | TRQ 4S | TRQ/E 4S |



| POS. | CODE       | Q.TY | DESCRIZIONE      | DESCRIPTION    | DESCRIPTION     | BESCHREIBUNG      | REMARKS |
|------|------------|------|------------------|----------------|-----------------|-------------------|---------|
| 1    | 12608600/0 | 2    | Seeger           | Seeger         | Seeger          | Seeger            |         |
| 2    | 19216035/0 | 2    | Cuscinetto       | Bearing        | Coussinet       | Lager             |         |
| 3    | 22753000/0 | 2    | Spina            | Pin            | Goupille        | Stift             |         |
| 5    | 81003092/0 | 1    | Gruppo Trazione  | Gear Box       | Groupe Traction | Antrieb           |         |
| 6    | 22601904/0 | 1    | Puleggia         | Pulley         | Poulie          | Riemenscheibe     |         |
| 7    | 12645700/0 | 1    | Spina            | Pin            | Goupille        | Stift             |         |
| 8    | 22033283/0 | 1    | Asta Regolazione | Adjustment Rod | Tige Reglage    | Verstellungstange |         |
| 9    | 35063800/0 | 1    | Cinghia Z 27     | Belt Z 27      | Courroie Z 27   | Riemen Z 27       | 484     |
| 9    | 35063902/0 | 1    | Cinghia Z 29.5   | Belt Z 29.5    | Courroie Z 29.5 | Riemen Z 29.5     | 534     |
| 11   | 22041957/1 | 1    | Bussola          | Bush           | Douille         | Buchse            |         |
| 12   | 22450063/0 | 1    | Molla            | Spring         | Ressort         | Feder             |         |
| 13   | 22680009/0 | 1    | Rosetta          | Washer         | Rondelle        | Scheibe           |         |
| 14   | 12154510/0 | 1    | Dado             | Nut            | Ecrou           | Mutter            |         |
| 15   | 22110230/0 | 1    | Tappo            | Cap            | Bouchon         | Gummistopfen      |         |

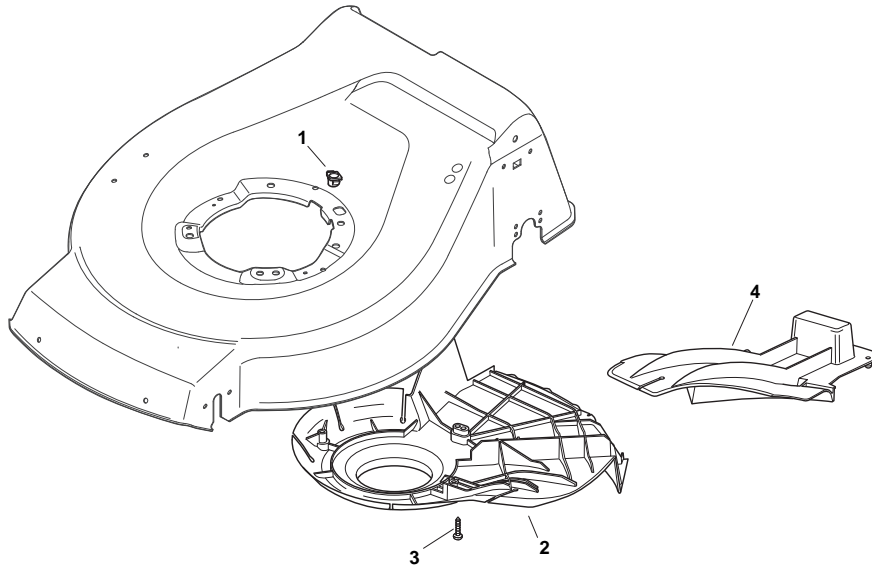
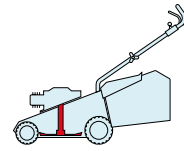
|            |              |               |                 |
|------------|--------------|---------------|-----------------|
| <b>NT</b>  |              | <b>NTL</b>    |                 |
| <b>484</b> |              | <b>534</b>    |                 |
| <b>TRQ</b> | <b>TRQ/E</b> | <b>TRQ 4S</b> | <b>TRQ/E 4S</b> |



| POS. | CODE        | Q.TY | DESCRIZIONE      | DESCRIPTION    | DESCRIPTION       | BESCHREIBUNG    | REMARKS |
|------|-------------|------|------------------|----------------|-------------------|-----------------|---------|
| 1    | 12608600/0  | 2    | Seeger           | Seeger         | Seeger            | Seeger          |         |
| 2    | 19216035/0  | 2    | Cuscinetto       | Bearing        | Coussinet         | Lager           |         |
| 3    | 22753000/0  | 2    | Spina            | Pin            | Goupille          | Stift           |         |
| 4    | 181003096/2 | 1    | Gruppo Trazione  | Gear Box       | Groupe Traction   | Antrieb         |         |
| 5    | 22033285/0  | 1    | Asta Regolazione | Adjustment Rod | Tige Reglage      |                 |         |
| 6    | 122601925/0 | 1    | Puleggia         | Pulley         | Poulie            | Riemenscheibe   |         |
| 7    | 12645700/0  | 1    | Spina            | Pin            | Goupille          | Stift           |         |
| 8    | 35064005/0  | 1    | Cinghia Spzx 750 | Belt Spzx 750  | Courroie Spzx 750 | Riemen Spzx 750 | 484     |
| 8    | 35064010/0  | 1    | Cinghia Spzx 812 | Belt Spzx 812  | Courroie Spzx 812 | Riemen Spzx 812 | 534     |
| 11   | 12791011/0  | 1    | Vite             | Screw          | Vis               | Schraube        |         |
| 12   | 322806625/1 | 1    | Supporto         | Support        | Support           | Halter          |         |
| 13   | 12292102/0  | 1    | Dado             | Nut            | Ecrou             | Mutter          |         |
| 14   | 12689500/0  | 1    | Vite             | Screw          | Vis               | Schraube        |         |
| 15   | 12523050/0  | 1    | Rosetta          | Washer         | Rondelle          | Scheibe         |         |
| 16   | 22601915/0  | 1    | Puleggia         | Pulley         | Poulie            | Riemenscheibe   |         |
| 17   | 22806623/0  | 1    | Supporto         | Support        | Support           | Halter          |         |
| 18   | 22671656/0  | 1    | Rosetta          | Washer         | Rondelle          | Scheibe         |         |
| 19   | 12154510/0  | 1    | Dado             | Nut            | Ecrou             | Mutter          |         |
| 20   | 12674700/0  | 1    | Vite             | Screw          | Vis               | Schraube        |         |
| 21   | 12523050/0  | 1    | Rosetta          | Washer         | Rondelle          | Scheibe         |         |
| 22   | 22601914/0  | 1    | Puleggia         | Pulley         | Poulie            | Riemenscheibe   |         |

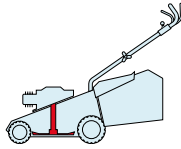
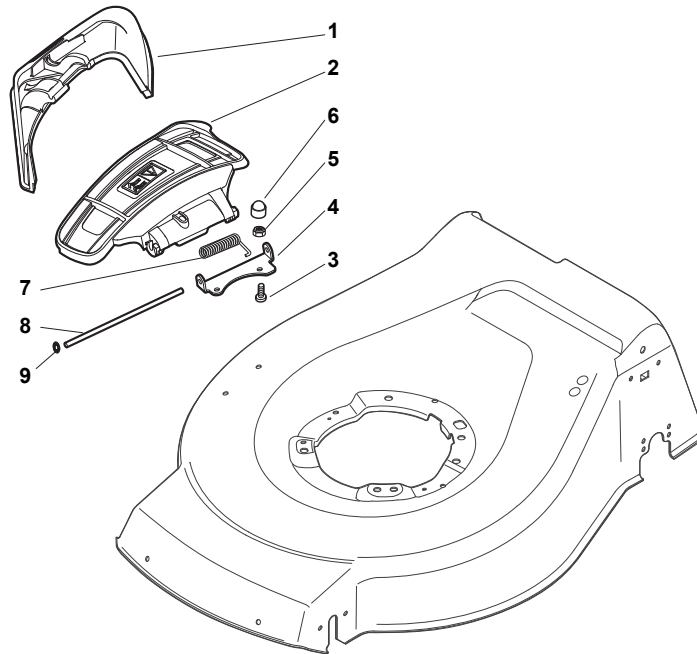
| POS. | CODE       | Q.TY | DESCRIZIONE        | DESCRIPTION                | DESCRIPTION                      | BESCHREIBUNG         | REMARKS |
|------|------------|------|--------------------|----------------------------|----------------------------------|----------------------|---------|
| 23   | 12154510/0 | 1    | Dado               | Nut                        | Ecrou                            | Mutter               |         |
| 24   | 81007109/0 | 1    | Cavo Comando Marce | Cable, Speed Drive Control | Cable, Comm. Change-ment Vitesse | Kabel, Gängeschaltun | 484     |
| 24   | 81007110/0 | 1    | Cavo Comando Marce | Cable, Speed Drive Control | Cable, Comm. Change-ment Vitesse | Kabel, Gängeschaltun | 534     |
| 25   | 22399809/0 | 1    | Manopolina         | Knob                       | Poignée                          | Griff                |         |
| 26   | 12728300/0 | 1    | Vite               | Screw                      | Vis                              | Schraube             |         |
| 27   | 12728702/0 | 2    | Vite               | Screw                      | Vis                              | Schraube             |         |

|     |       |        |          |
|-----|-------|--------|----------|
| NT  |       | NTL    |          |
| 484 |       | 534    |          |
| TRQ | TRQ/E | TRQ 4S | TRQ/E 4S |



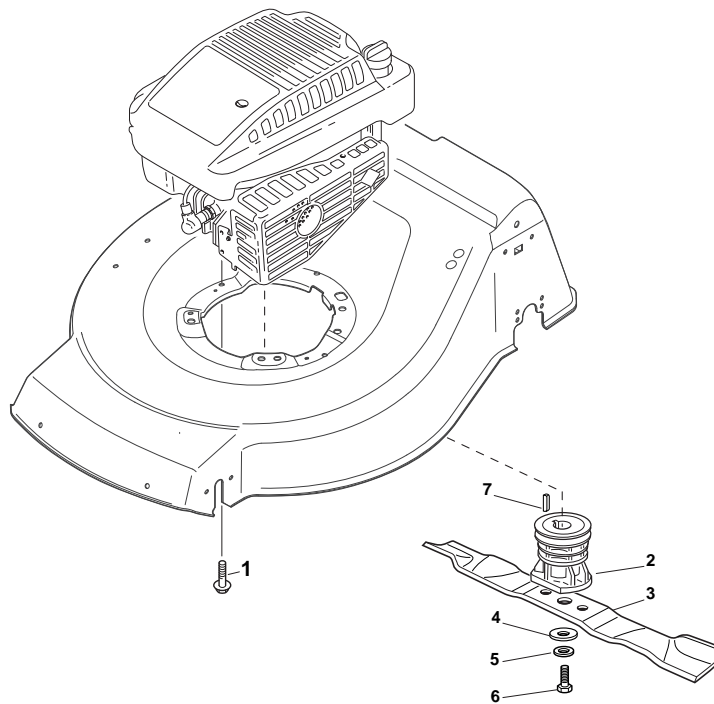
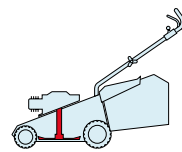
| POS. | CODE        | Q.TY | DESCRIZIONE      | DESCRIPTION      | DESCRIPTION | BESCHREIBUNG   | REMARKS |
|------|-------------|------|------------------|------------------|-------------|----------------|---------|
| 1    | 22291150/0  | 1    | Inserto In Gomma | Rubber Insert    | Insert De   | Gummi Einsatz  |         |
| 2    | 22060198/0  | 1    | Carter Cinghia   | Protection, Belt | Protection  | Schutz, Riemen | 484     |
| 2    | 322060197/2 | 1    | Carter Cinghia   | Protection, Belt | Protection  | Schutz, Riemen | 534     |
| 2    | 322060238/0 | 1    | Carter Cinghia   | Protection, Belt | Protection  | Schutz, Riemen | 534 BBC |
| 3    | 12728530/0  | 3    | Vite             | Screw            | Vis         | Schraube       |         |
| 4    | 22140223/0  | 1    | Deflettore       | Deflector        | Deflecteur  | Deflektor      | 484     |
| 4    | 22140222/0  | 1    | Deflettore       | Deflector        | Deflecteur  | Deflektor      | 534     |

|     |       |        |          |
|-----|-------|--------|----------|
| NT  |       | NTL    |          |
| 484 |       | 534    |          |
| TRQ | TRQ/E | TRQ 4S | TRQ/E 4S |

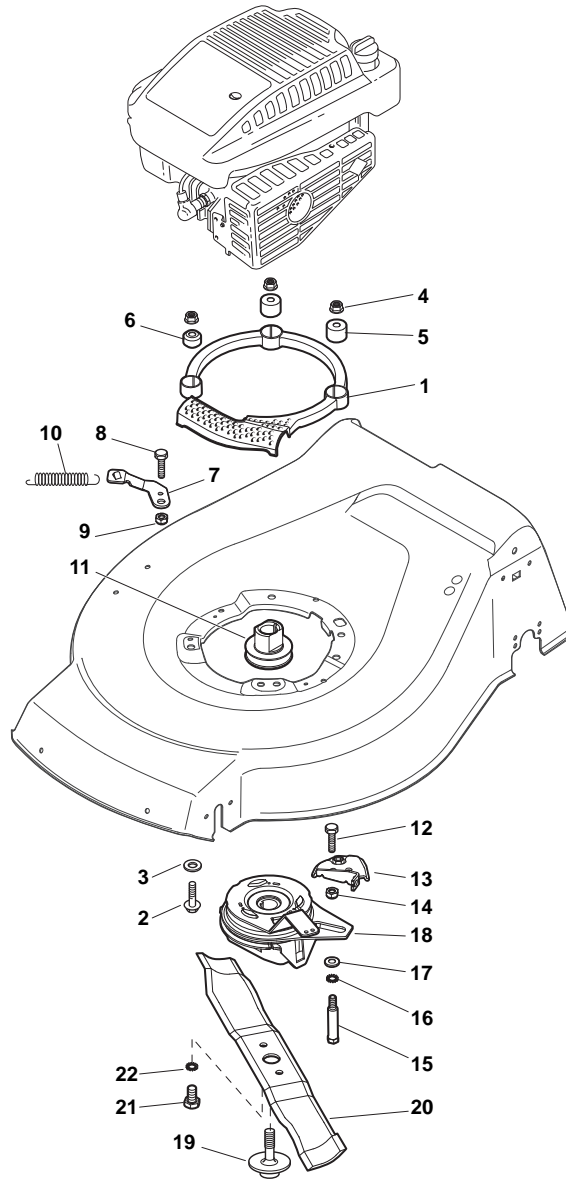
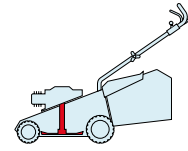
| POS. | CODE        | Q.TY | DESCRIZIONE        | DESCRIPTION    | DESCRIPTION         | BESCHREIBUNG  | REMARKS |
|------|-------------|------|--------------------|----------------|---------------------|---------------|---------|
| 1    | 322108295/0 | 1    | Parasassi          | Stone-Guard    | Pare-Pierres        | Prallblech    |         |
| 2    | 322600195/0 | 1    | Protezione Uscita  | Ejection Guard | Protection Sortie   | Auswurfschutz |         |
| 3    | 112727803/0 | 2    | Vite               | Screw          | Vis                 | Schraube      |         |
| 4    | 322806639/0 | 1    | Fulcro             | Fulcrum Pin    | Point D'Appui       | Gelenkpunkt   |         |
| 5    | 12154510/0  | 2    | Dado               | Nut            | Ecrou               | Mutter        |         |
| 6    | 18203853/0  | 2    | Cappuccio          | Protection     | Capuchon            | Stecker       |         |
| 7    | 122450456/0 | 1    | Molla              | Spring         | Ressort             | Feder         |         |
| 8    | 122517869/0 | 1    | Perno              | Pin            | Pivot               | Bolzen        |         |
| 9    | 12604896/0  | 2    | Fissatore A Corona | Crown Fastener | Fixateur A Couronne | Kronescheibe  |         |

|     |       |        |          |
|-----|-------|--------|----------|
| NT  |       | NTL    |          |
| 484 |       | 534    |          |
| TRQ | TRQ/E | TRQ 4S | TRQ/E 4S |



| POS. | CODE        | Q.TY | DESCRIZIONE                        | DESCRIPTION                   | DESCRIPTION                      | BESCHREIBUNG              | REMARKS     |
|------|-------------|------|------------------------------------|-------------------------------|----------------------------------|---------------------------|-------------|
| 1    | 112735108/1 | 3    | Vite                               | Screw                         | Vis                              | Schraube                  |             |
| 1    | 112735108/1 | 2    | Vite                               | Screw                         | Vis                              | Schraube                  | (GGP 196cc) |
| 1    | 112735109/1 | 1    | Vite                               | Screw                         | Vis                              | Schraube                  | (GGP 196cc) |
| 2    | 122465607/3 | 1    | Mozzo, Albero Motore<br>Ø 22.2     | Hub, Crankshaft Ø 22.2        | Moyeu, Arbre Moteur Ø<br>22.2    | Halter, Motorwelle Ø 22.2 |             |
| 2    | 122465608/2 | 1    | Mozzo, Albero Motore<br>Ø 25       | Hub, Crankshaft Ø 25          | Moyeu, Arbre Moteur Ø 25         | Halter, Motorwelle Ø 251  |             |
| 3    | 181004&* /" | 1    | Coltello Standard                  | Blade Standard                | Lame Standard                    | Messer Standard           | 484         |
| 3    | 81004381/1  | 1    | Coltello Standard                  | Blade Standard                | Lame Standard                    | Messer Standard           | 534         |
| 4    | 22160400/0  | 1    | Disco Elastico                     | Elastic Washer                | Rondelle Elastique               | Elastischescheibe         |             |
| 5    | 12523080/0  | 1    | Rosetta                            | Washer                        | Rondelle                         | Scheibe                   |             |
| 6    | 12735698/0  | 1    | Vite                               | Screw                         | Vis                              | Schraube                  |             |
| 7    | 12139100/0  | 1    | Linguetta, Albero<br>Motore Ø 22.2 | Feather, Crankshaft Ø<br>22.2 | Clavette, Arbre Moteur<br>Ø 22.2 | Keil, Motorwelle Ø 22.2   |             |
| 7    | 12139150/0  | 1    | Linguetta, Albero<br>Motore Ø 25   | Feather, Crankshaft Ø 25      | Clavette, Arbre Moteur<br>Ø 25   | Keil, Motorwelle Ø 25     |             |

|            |              |               |                 |
|------------|--------------|---------------|-----------------|
| <b>NT</b>  |              | <b>NTL</b>    |                 |
| <b>484</b> |              | <b>534</b>    |                 |
| <b>TRQ</b> | <b>TRQ/E</b> | <b>TRQ 4S</b> | <b>TRQ/E 4S</b> |

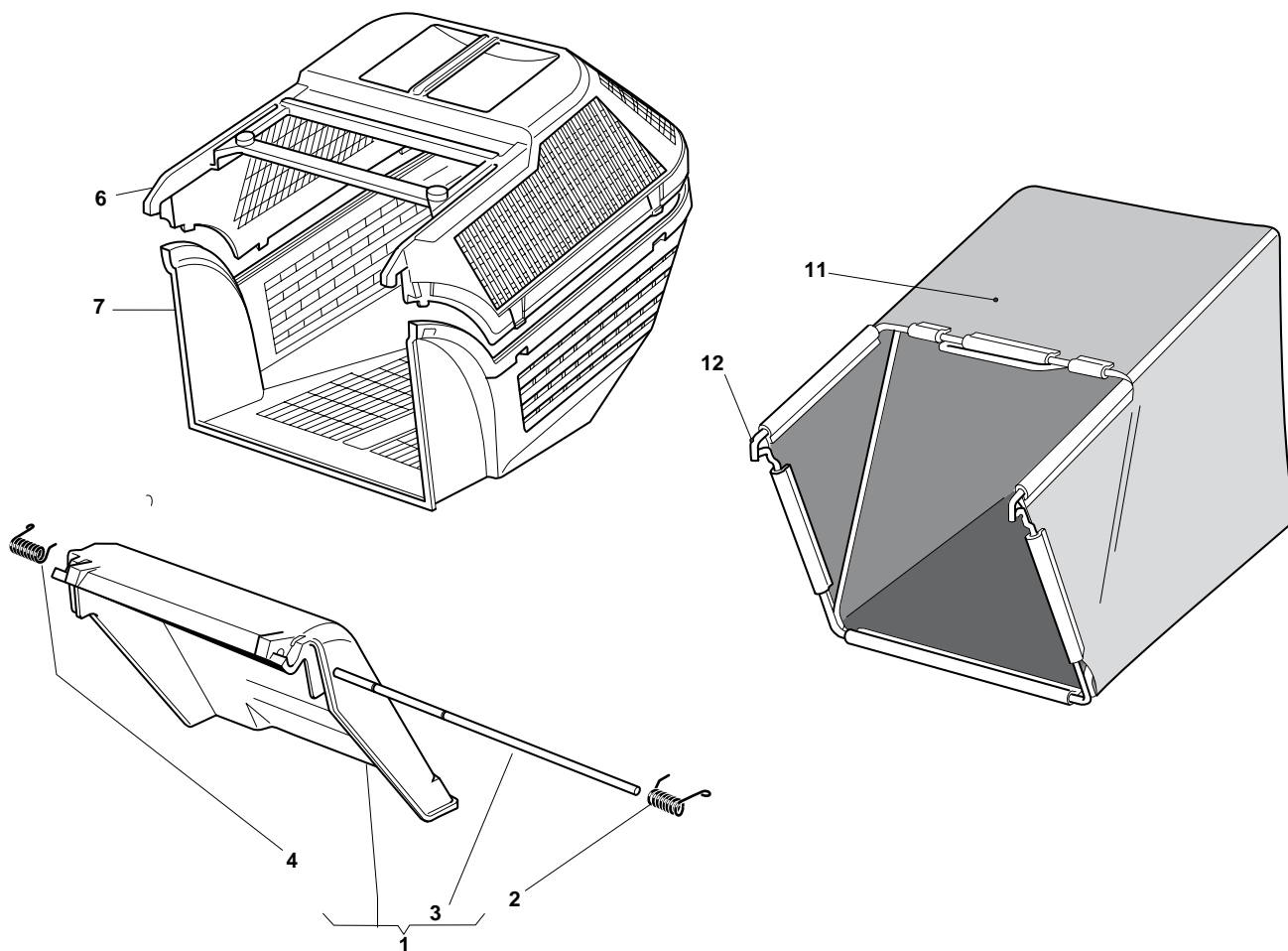
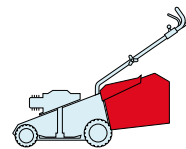


| POS. | CODE        | Q.TY | DESCRIZIONE                         | DESCRIPTION               | DESCRIPTION                    | BESCHREIBUNG               | REMARKS |
|------|-------------|------|-------------------------------------|---------------------------|--------------------------------|----------------------------|---------|
| 1    | 322170963/0 | 1    | Protezione                          | Protection                | Protection                     | Schutz                     |         |
| 2    | 12691700/0  | 3    | Vite                                | Screw                     | Vis                            | Schraube                   | (Honda) |
| 2    | 12691700/0  | 2    | Vite                                | Screw                     | Vis                            | Schraube                   | (B&S)   |
| 2    | 12692050/0  | 1    | Vite                                | Screw                     | Vis                            | Schraube                   | (B&S)   |
| 3    | 12521350/0  | 3    | Rosetta                             | Washer                    | Rondelle                       | Scheibe                    |         |
| 4    | 12154210/0  | 3    | Dado                                | Nut                       | Ecrou                          | Mutter                     |         |
| 5    | 22170835/0  | 2    | Distanziale                         | Spacer                    | Entretoise                     | Distanzring                |         |
| 6    | 122170836/1 | 1    | Distanziale                         | Spacer                    | Entretoise                     | Distanzring                |         |
| 7    | 322551671/0 | 1    | Supporto                            | Support                   | Support                        | Halter                     |         |
| 8    | 112791200/1 | 1    | Vite                                | Screw                     | Vis                            | Schraube                   |         |
| 9    | 12154510/0  | 1    | Dado                                | Nut                       | Ecrou                          | Mutter                     |         |
| 10   | 122446188/0 | 1    | Molla                               | Spring                    | Ressort                        | Feder                      |         |
| 11   | 122601922/0 | 1    | Puleggia, Albero Moto-<br>re Ø 22.2 | Pulley, Crankshaft Ø 22.2 | Poulie, Arbre Moteur Ø<br>22.2 | Scheibe, Motorwelle Ø 22.2 |         |

| POS. | CODE        | Q.TY | DESCRIZIONE                       | DESCRIPTION             | DESCRIPTION               | BESCHREIBUNG             | REMARKS |
|------|-------------|------|-----------------------------------|-------------------------|---------------------------|--------------------------|---------|
| 11   | 122601923/0 | 1    | Puleggia, Albero Moto-<br>re Ø 25 | Pulley, Crankshaft Ø 25 | Poulie, Arbre Moteur Ø 25 | Scheibe, Motorwelle Ø 25 |         |
| 12   | 112791200/1 | 2    | Vite                              | Screw                   | Vis                       | Schraube                 |         |
| 13   | 381545335/0 | 1    | Supporto                          | Support                 | Support                   | Halter                   |         |
| 14   | 12154510/0  | 2    | Dado                              | Nut                     | Ecrou                     | Mutter                   |         |
| 15   | 122534127/0 | 1    | Piolo                             | Pin                     | Bondon                    | Dübel                    |         |
| 16   | 12540060/0  | 1    | Rondella                          | Washer                  | Rondelle                  | Scheibe                  |         |
| 17   | 22671653/0  | 1    | Rosetta                           | Washer                  | Rondelle                  | Scheibe                  |         |
| 18   | 118399051/0 | 1    | Ass. Frizione Meccanica           | Mechanical Clutch       | Embrayage Mecanique       | Mechanische Kupplung     |         |
| 19   | 12735460/0  | 1    | Vite                              | Screw                   | Vis                       | Schraube                 |         |
| 20   | 181004382/0 | 1    | Coltello                          | Blade                   | Lame                      | Messer                   |         |
| 21   | 12540060/0  | 2    | Rondella                          | Washer                  | Rondelle                  | Scheibe                  |         |
| 22   | 12794110/0  | 2    | Vite                              | Screw                   | Vis                       | Schraube                 |         |

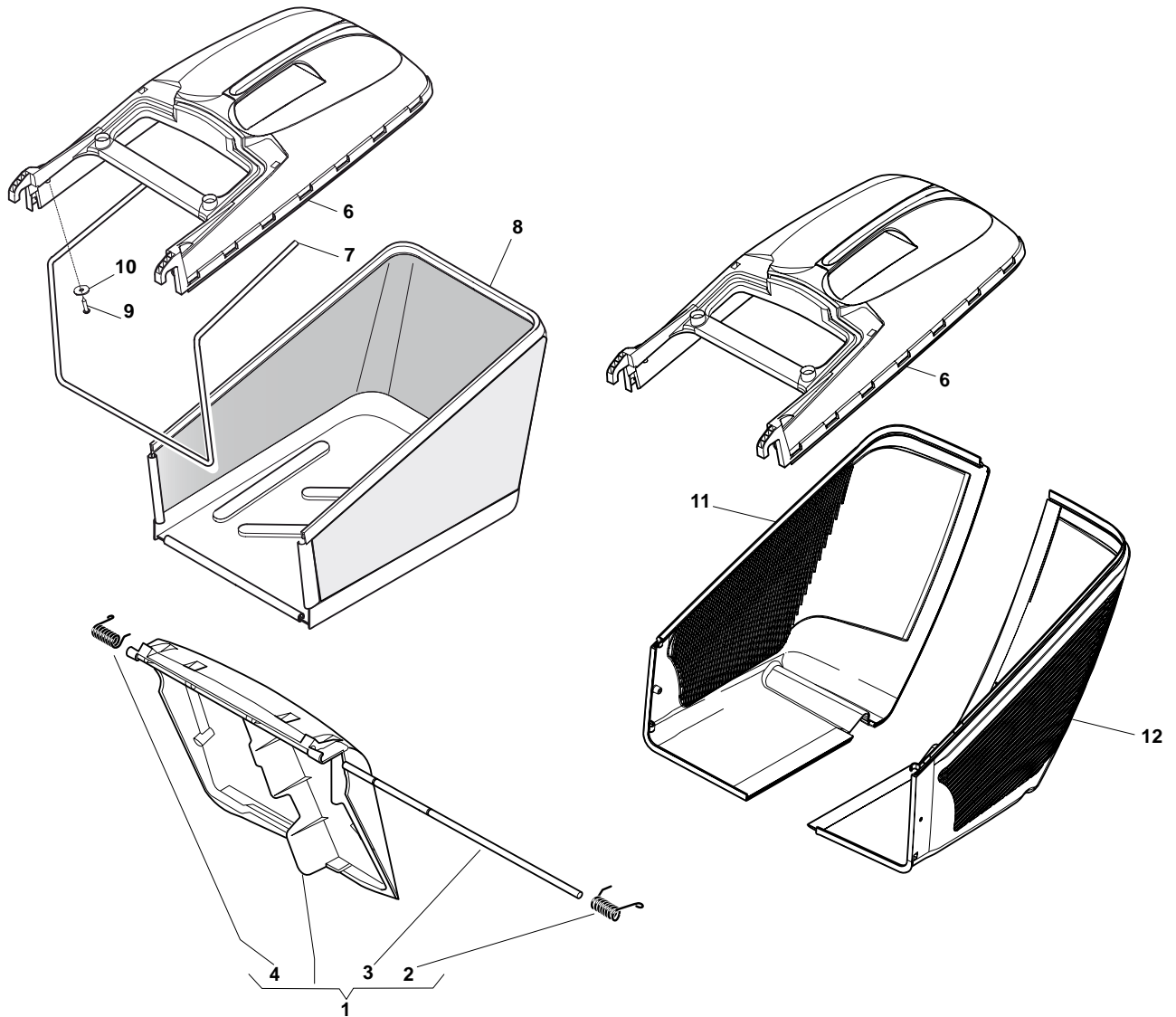
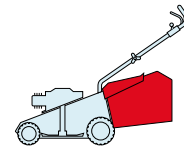


|     |       |        |          |
|-----|-------|--------|----------|
| NT  |       | NTL    |          |
| 484 |       | 534    |          |
| TRQ | TRQ/E | TRQ 4S | TRQ/E 4S |



| POS. | CODE        | Q.TY | DESCRIZIONE      | DESCRIPTION      | DESCRIPTION            | BESCHREIBUNG    | REMARKS |
|------|-------------|------|------------------|------------------|------------------------|-----------------|---------|
| 1    | 381007308/2 | 1    | Parasassi        | Stone-Guard      | Pare-Pierres           | Prallblech      |         |
| 2    | 122450466/0 | 1    | Molla Sx         | L Spring         | Ressort G              | Linke Feder     |         |
| 3    | 22517906/1  | 1    | Perno            | Pin              | Pivot                  | Bolzen          |         |
| 4    | 122450465/0 | 1    | Molla Dx         | R Spring         | Ressort D              | Rechte Feder    |         |
| 6    | 322486073/1 | 1    | Sacco, Parte Sup | Grass-Box, Upper | Sac, Partie Superieure | Korb, Oberteil  |         |
| 7    | 22486074/0  | 1    | Sacco, Parte Inf | Grass-Box, Lower | Sac, Partie Inferieure | Korb, Unterteil |         |
| 11   | 81002105/2  | 1    | Sacco, Tela      | Box, Fabric      | Sac, Toile             | Sack, Tuck      |         |
| 12   | 81006418/0  | 1    | Telaio Sacco     | Chassis Box      | Châssis Bac            | Rahmen Sack     |         |

|     |       |        |          |
|-----|-------|--------|----------|
| NT  |       | NTL    |          |
| 484 |       | 534    |          |
| TRQ | TRQ/E | TRQ 4S | TRQ/E 4S |



| POS. | CODE        | Q.TY | DESCRIZIONE         | DESCRIPTION        | DESCRIPTION              | BESCHREIBUNG      | REMARKS |
|------|-------------|------|---------------------|--------------------|--------------------------|-------------------|---------|
| 1    | 381008081/0 | 1    | Parasassi           | Stone-Guard        | Pare-Pierres             | Prallblech        |         |
| 2    | 122450466/0 | 1    | Molla Sx            | L Spring           | Ressort G                | Linke Feder       |         |
| 3    | 22517906/1  | 1    | Perno               | Pin                | Pivot                    | Bolzen            |         |
| 4    | 122450465/0 | 1    | Molla Dx            | R Spring           | Ressort D                | Rechte Feder      |         |
| 6    | 22486101/0  | 1    | Sacco, Parte Sup    | Grass-Box, Upper   | Sac, Partie              | Korb, Oberteil    |         |
| 7    | 22608525/0  | 1    | Rinforzo Inf        | Stiffening Lower   | Réinforcement Inf        | Verstärkung       |         |
| 8    | 81002211/0  | 1    | Sacco, Tela         | Box, Fabric        | Sac, Toile               | Sack, Tuck        |         |
| 9    | 12728680/0  | 2    | Vite                | Screw              | Vis                      | Schraube          |         |
| 10   | 12523050/0  | 2    | Rosetta             | Washer             | Rondelle                 | Scheibe           |         |
| 11   | 322486150/1 | 1    | Sacco, Parte Inf Dx | Grass-Box, R Lower | Sac, Partie Inferieure D | Korb, R Unterteil |         |
| 12   | 322486151/1 | 1    | Sacco, Parte Inf Sx | Grass-Box, L Lower | Sac, Partie Inferieure G | Korb, L Unterteil |         |