



Green Passion

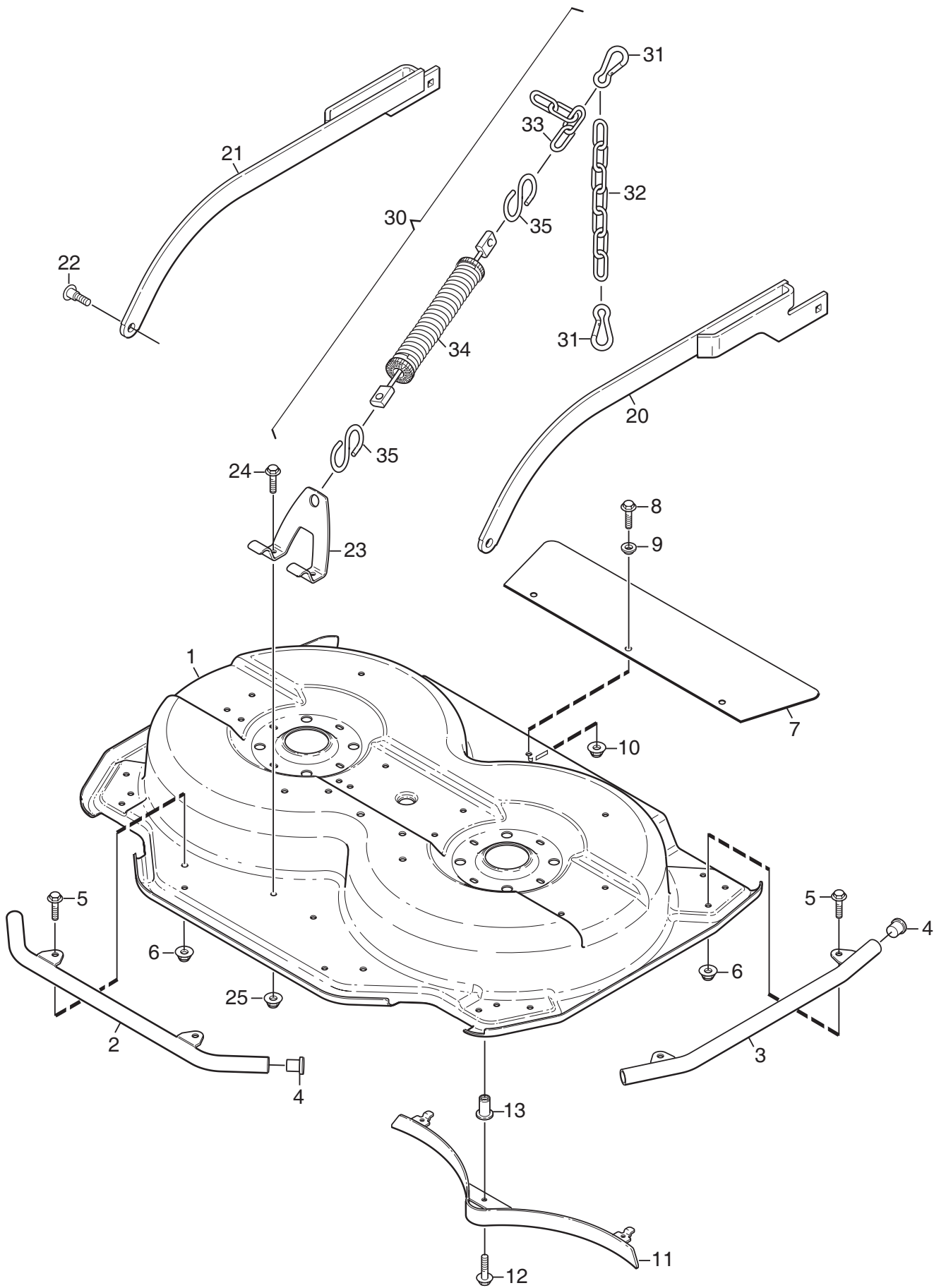
Illustrated Parts List

**XK Mower Decks 95C-105C
Model Year 2010**

- Use GLOBAL GARDEN PRODUCT Genuine Spare Parts specified in the parts list for repair and/or replacement.
- The contents described in the parts list may change due to improvement.
- The drawings of the spare parts are only indicative and might not represent the part in question exactly.
- The indications "right" - "left" - "front" - "rear" refer to the position of the operator when using the machine.
- When placing orders of parts for repair and/or replacement, make sure that the illustrated parts list is the one applying to the machine's year of manufacture, as shown on the identification plate attached to the machine.

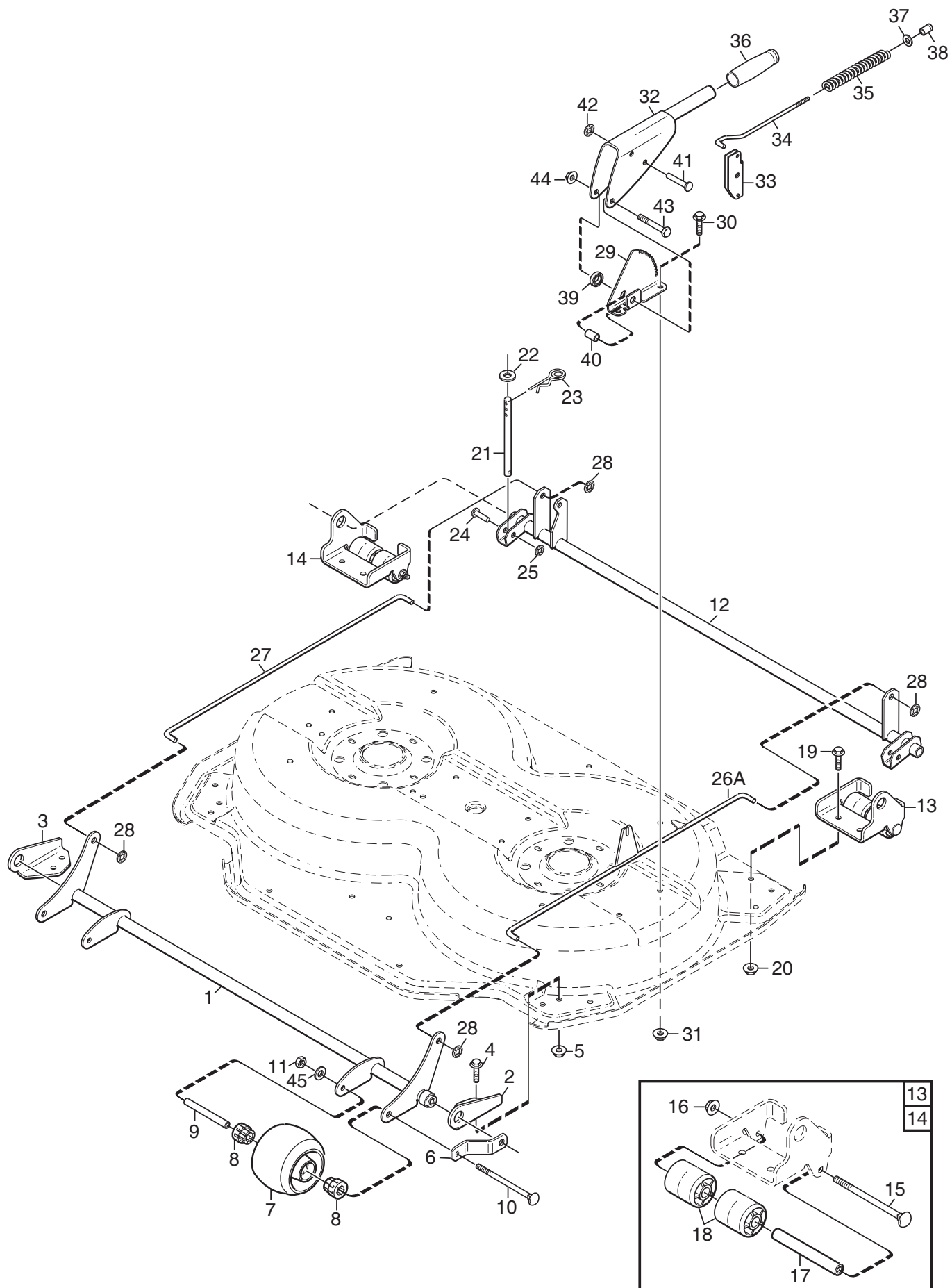
COPYRIGHT by GLOBAL GARDEN PRODUCTS

All rights reserved. No part of this material may be reproduced or transmitted, in any form or by any means, electronic or mechanical, including photocopying, recording or by any information storage and retrieval system, without permission in writing from GLOBAL GARDEN PRODUCTS.



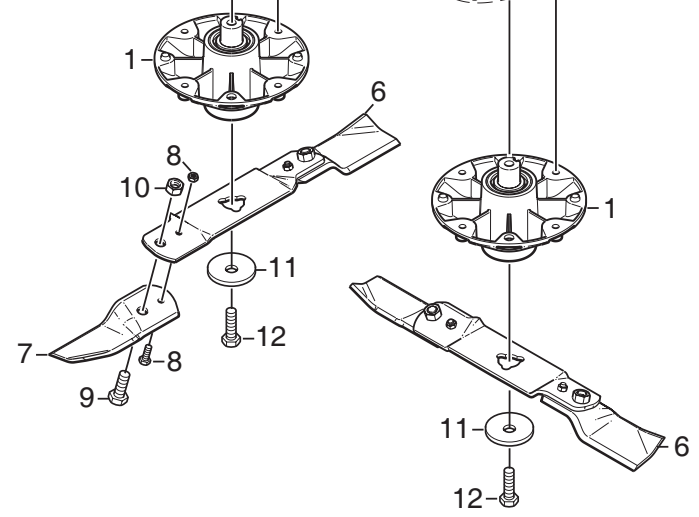
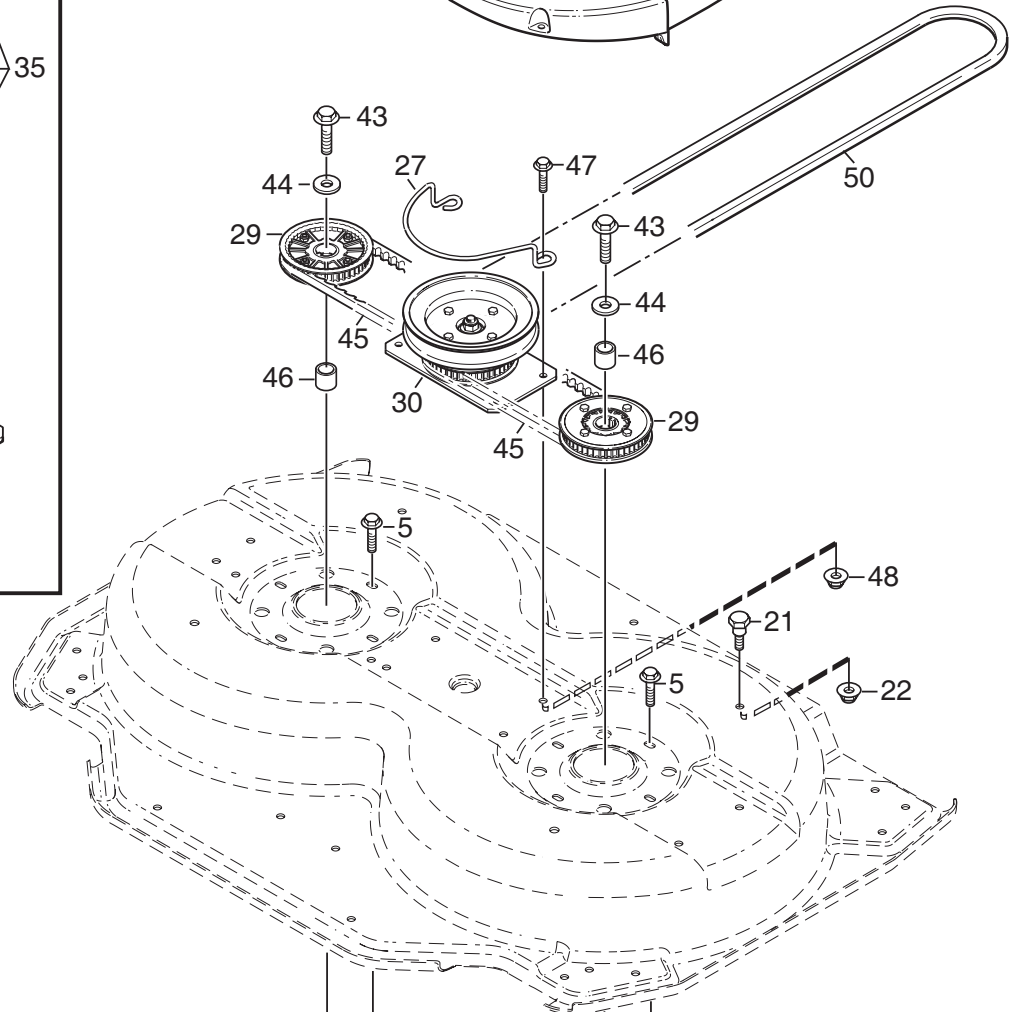
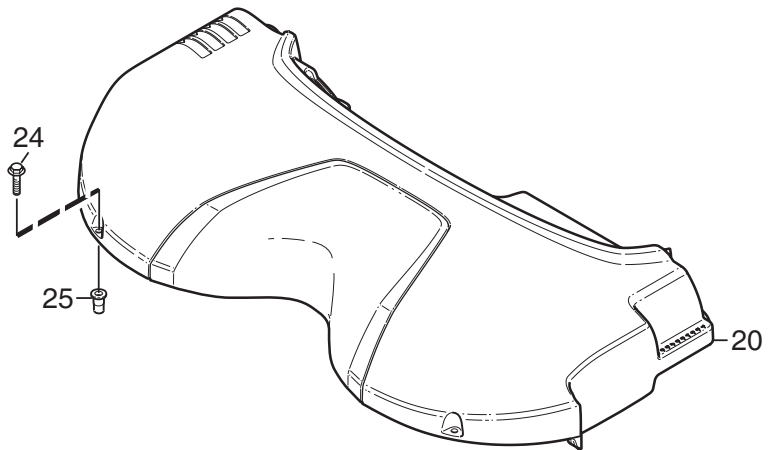
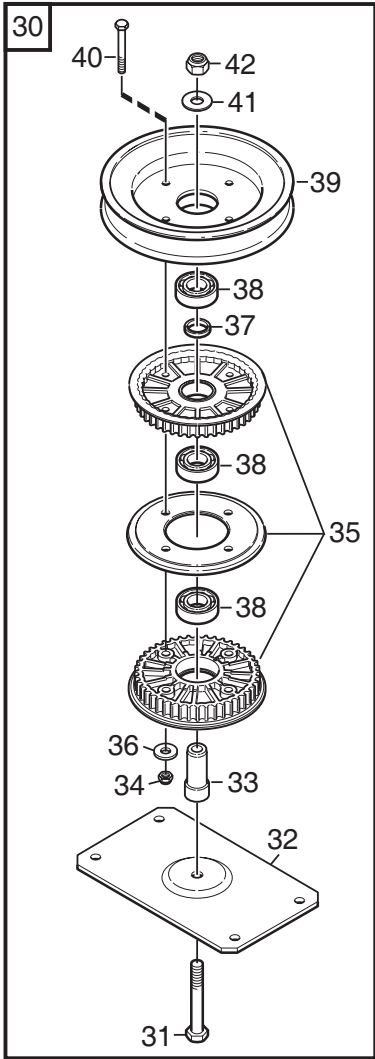
Ausgabe Issue 2010-31		Bild Nr Picture No 2214A		XK MÄHWERK 95C RAHMEN		XK MOWER DECK 95C FRAME		Seite Page 158	
Pos. Fig.	Anzahl/Quantity				Artikel Nr. Part No	Bezeichnung	Description	Satz Kit	Anmerkung Notes
	2964 -74								
1	1				1134-6190-03	Haube- rot.....	Casing- red.....		Pos 13 (3 pcs) incl.
2	1				1134-6208-02	Frontschutz- schwarz.....	Front guard tube- bl.		
3	2				1134-6222-02	Seitenschutz- schwarz	Side guard tube- black		
4	6				9403-0025-70	Propfen- schwarz.....	End cap- black.....		
5	6				9959-0816-16	Schraube	Screw		
6	6				9739-0831-22	Mutter	Nut		
7	1				1134-6281-02	Gummischutz	Rubber guard		
8	3				9959-0816-16	Schraube	Screw		
9	3				1134-4185-01	Flanschscheibe	Flange washer		
10	3				9739-0831-22	Mutter	Nut		
11	1				1134-6229-01	Mulchpropfen	Mulching plug		
12	1				9959-0816-16	Schraube	Screw		
13	3				1134-5595-01	• Nietmutter.....	• Riveting nut.....		
20	1				1134-6237-09	Mähwerkarm- L, schw	Deck arm- LH, black.....		
21	1				1134-6237-10	Mähwerkarm- R, schw.....	Deck arm- RH, black		
22	2				1134-6279-01	Schulter-schraube.....	Shoulder bolt		
23	1				1134-6315-02	Hebehalter- schw	Lift bracket- black.....		
24	2				9959-0816-16	Schraube	Screw		
25	2				9739-0831-22	Mutter	Nut		
30	1				1134-6362-01	Hebefeder kpl	Lift spring assy	Pos 31 - 35 incl.	
31	2				1134-5528-01	• Karabinerhaken.....	• Snap hook.....		
32	1				1134-6368-02	• Kette	• Chain	7 links	
33	1				1134-6368-01	• Kette	• Chain	4 links	
34	1				1134-6365-03	• Hebefeder	• Lift spring.....		
35	2				1134-4623-01	• S- Haken	• S- hook.....		
99	1				8211-7080-90	Bedienungsanleitung	Owner's manual	Not ill.	

X

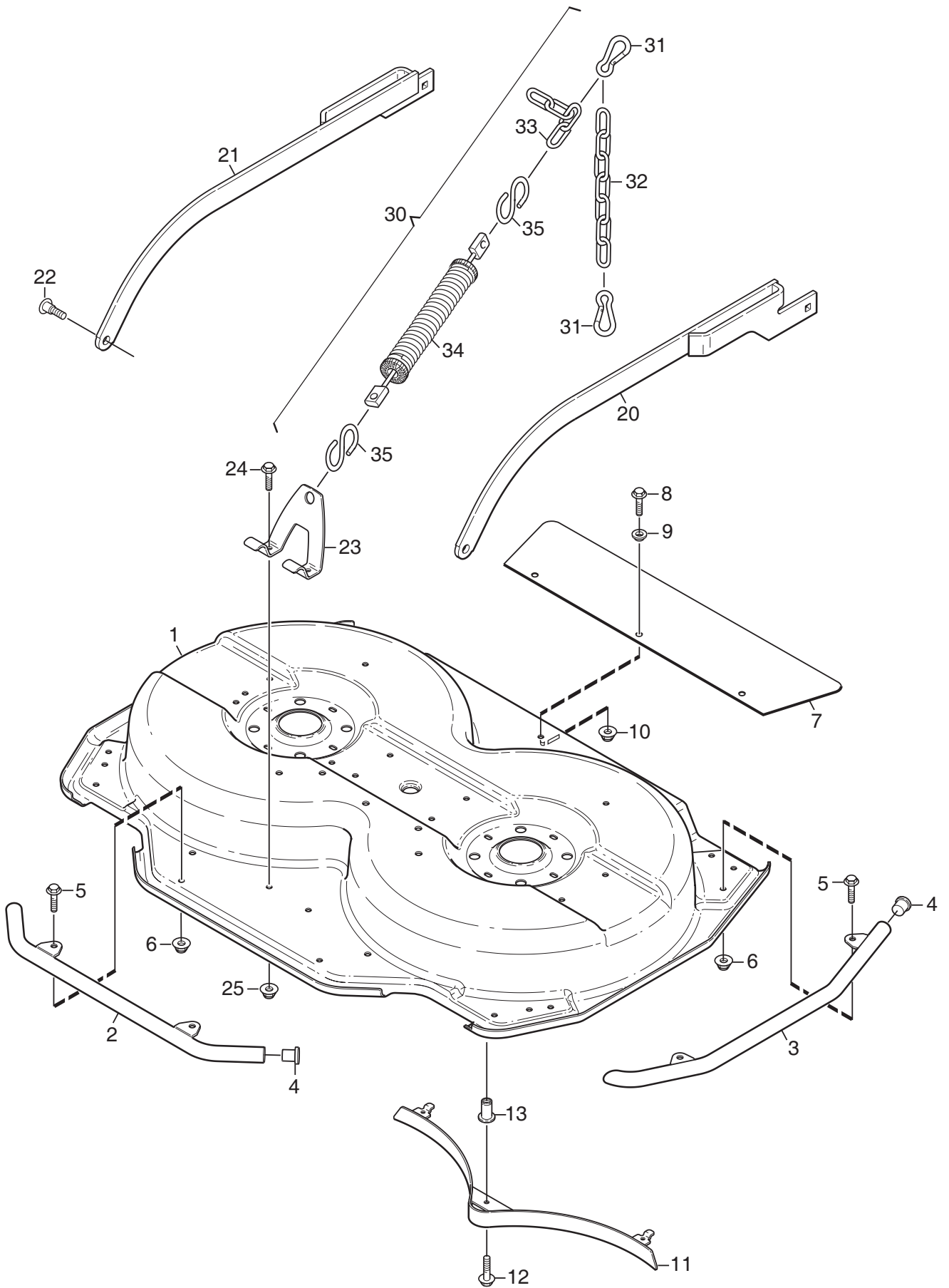


Ausgabe Issue 2010-31		Bild Nr Picture No 2132		XK MÄHWERK 95C REGULIERUNGEN		XK MOWER DECK 95C CONTROLS		Seite Page 160	
Pos. Fig.	Anzahl/Quantity				Artikel Nr. Part No	Bezeichnung	Description	Satz Kit	Anmerkung Notes
	2964 -74								
1	1				1134-6275-02	Vorderachse- schwarz	Front axle- black.....		
2	1				1134-6214-03	Halter- L, schwarz.....	Bracket fr- LH, black.....		
3	1				1134-6214-04	Halter- R, schwarz	Bracket fr- RH, black		
4	4				9959-0816-16	Schraube	Screw.....		
5	4				9739-0831-22	Mutter	Nut		
6	2				1134-6278-02	Leitblech- schwarz.....	Guide- black		
7	2				1134-4284-01	Rad	Wheel.....		
8	4				1134-4319-01	Lager	Bearing.....		
9	2				1134-4318-01	Radachse.....	Wheel axle.....		
10	2				9897-0813-22	Schraube	Screw.....		
11	2				9747-0831-02	Mutter.....	Lock nut.....		
12	1				1134-6197-02	Hinterachse- schwarz	Rear axle- black.....		
13	1				1134-6282-01	Rollen- L, m.Halter.....	Roller- LH, w/bracket		
14	1				1134-6282-02	Rollen- R, m.Halter	Roller- RH, w/bracket.....		
15	1				9897-0813-02	• Schraube	• Screw		
16	1				9739-0831-22	• Mutter	• Nut		
17	1				1134-4318-01	• Radachse.....	• Wheel axle.....		
18	2				1134-6206-01	• Rollen	• Roller		
19	4				9959-0816-16	Schraube	Screw.....		
20	4				9739-0831-22	Mutter	Nut		
21	2				1134-6198-01	Stange	Stud		
22	2				9699-0104-02	Scheibe.....	Washer.....		
23	2				9598-2001-02	Schließnadel	Spring pin		
24	2				9646-0098-22	Niet.....	Rivet.....		
25	2				9675-0012-02	Verriegelungsscheibe	Locking washer.....		
26 A	1				1134-6249-02	Druckstange- L	Push rod- LH.....		
27	1				1134-6246-02	Druckstange- R.....	Push rod- RH.....		
28	4				9675-0015-02	Verriegelungsscheibe	Lock washer.....		
29	1				1134-6255-01	Höhenverstellsektor.....	Height adj. quadrant.....		
30	2				9959-0816-16	Schraube	Screw.....		
31	2				9739-0831-22	Mutter	Nut		
32	1				1134-6244-02	Höhenverst.hebel- schw	Height adj.lever- bl.		
33	1				1134-6254-01	Sperre.....	Catch.....		
34	1				1134-5444-01	Druckstange	Push rod		
35	1				1134-5445-01	Feder	Spring		
36	1				1134-5503-01	Griff	Handle.....		
37	1				9699-0087-02	Scheibe.....	Flat washer.....		
38	1				1134-3051-01	Sperrknopf.....	Locking knob		
39	1				1134-6286-03	Distanz.....	Spacer.....		
40	1				1134-1565-16	Distanz.....	Spacer.....		
41	2				9646-0105-22	Niet.....	Rivet.....		
42	2				9672-0006-02	Verriegelungsscheibe	Lock washer		
43	1				9997-0850-16	Schraube	Screw.....		
44	1				9747-0831-02	Mutter.....	Lock nut.....		
45	2				9699-0028-02	Scheibe.....	Flat washer.....		

Pos 15 - 18 incl.
Pos 15 - 18 incl.

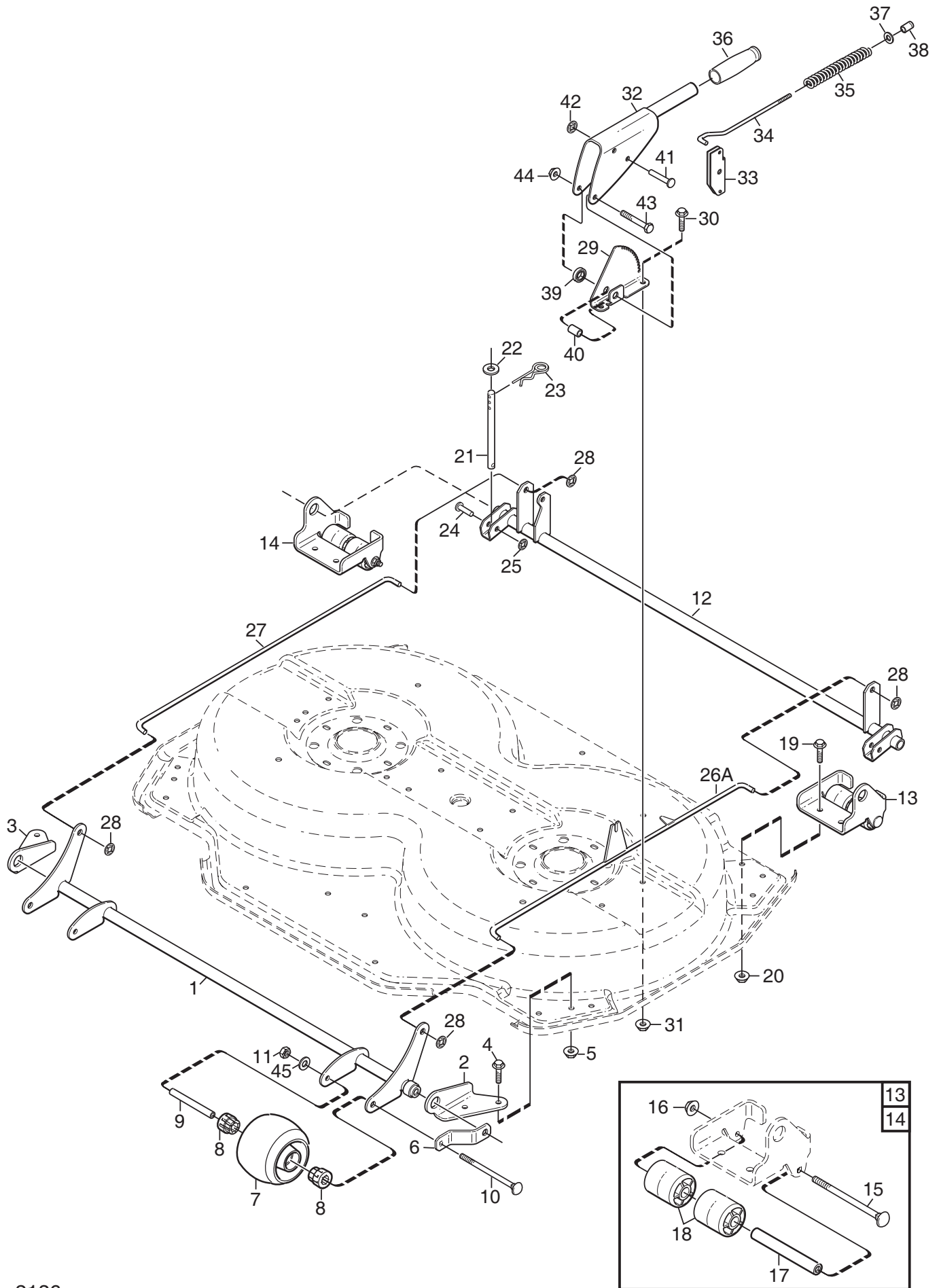


Ausgabe Issue 2010-31		Bild Nr Picture No 2134B		XK MÄHWERK 95C TRANSMISSION		XK MOWER DECK 95C TRANSMISSION		Seite Page 162	
Pos. Fig.	Anzahl/Quantity				Artikel Nr. Part No	Bezeichnung	Description	Satz Kit	Anmerkung Notes
	2964 -74								
	1	2			1134-5831-01	Lagerbuchse kpl	Bearing box assy.....		
	5	8			9945-0825-16	Schraube	Screw		
	6	2			1134-6240-02	Messer kpl.....	Blade bar assy.....		Pos 7 incl.
	7	1			1134-9119-01	• Messersatz	• Blade kit		Pos 8 - 10 incl.
	8	1			1134-9054-01	•• Scherbolzensatz.....	•• Shear bolt kit.....		
	9	2			1134-6311-01	•• Bolt	•• Bolt.....		7/16" UNF
	10	2			1134-6312-01	•• Schloßmutter	•• Lock nut		7/16" UNF
	11	2			1134-6211-01	Messerscheibe.....	Blade washer.....		
	12	2			9997-1060-12	Schraube	Screw.....		
	20	1			1134-6280-03	Deckel- grau.....	Transm.cover- grey		
	21	2			1134-0240-01	Schulterschraube.....	Shoulder screw		
	22	2			9739-0831-22	Mutter	Nut		
	24	2			9945-0825-16	Schraube	Screw.....		
	25	2			1134-5595-01	Nietmutter	Riveting nut.....		
	27	1			1134-6431-01	Riemenführung.....	Belt guide		
	29	2			1134-6287-01	Zahnriemenscheibe	Toothed belt pulley		
X	30	1			1137-0116-01	Riemenscheibe kpl	Belt pulley assy		Pos 31 - 42 incl.
	31	1			9997-1070-12	• Schraube	• Screw		
	32	1			1134-6209-01	• Halterung	• Bracket		
X	33	1			1134-6205-02	• Achse.....	• Shaft		
	34	4			9747-0631-02	• Mutter	• Lock nut		
X	35	1			1134-9128-02	• Zahnriemenscheibe.....	• Belt pulley		
	36	4			9699-0060-02	• Scheibe.....	• Flat washer		
X	37	1			1134-3725-06	• Distanz.....	• Spacer		H = 1.5 mm
	38	3			9549-0019-00	• Kugellager.....	• Ball bearing		
X	39	1			1137-0117-01	• Riemenscheibe	• Belt pulley		Ø = 154 mm
	40	4			9997-0650-12	• Schraube	• Screw		
	41	1			9699-0030-02	• Scheibe.....	• Flat washer		
	42	1			9731-1031-22	• Mutter.....	• Nut		
	43	2			9997-1060-12	Schraube	Screw		
	44	2			1134-5406-01	Scheibe.....	Washer.....		
	45	2			9585-0164-01	Zahnriemen	Toothed belt		
	46	2			1134-5400-04	Distanz.....	Spacer.....		
	47	4			9959-0820-16	Schraube	Screw		
	48	4			9739-0831-22	Mutter	Nut		
X	50	1			9585-0197-01	Keilriemen (4WD).....	V- belt (4WD)		
X	50	1			9585-0198-01	Keilriemen (2WD).....	V- belt (2WD)		

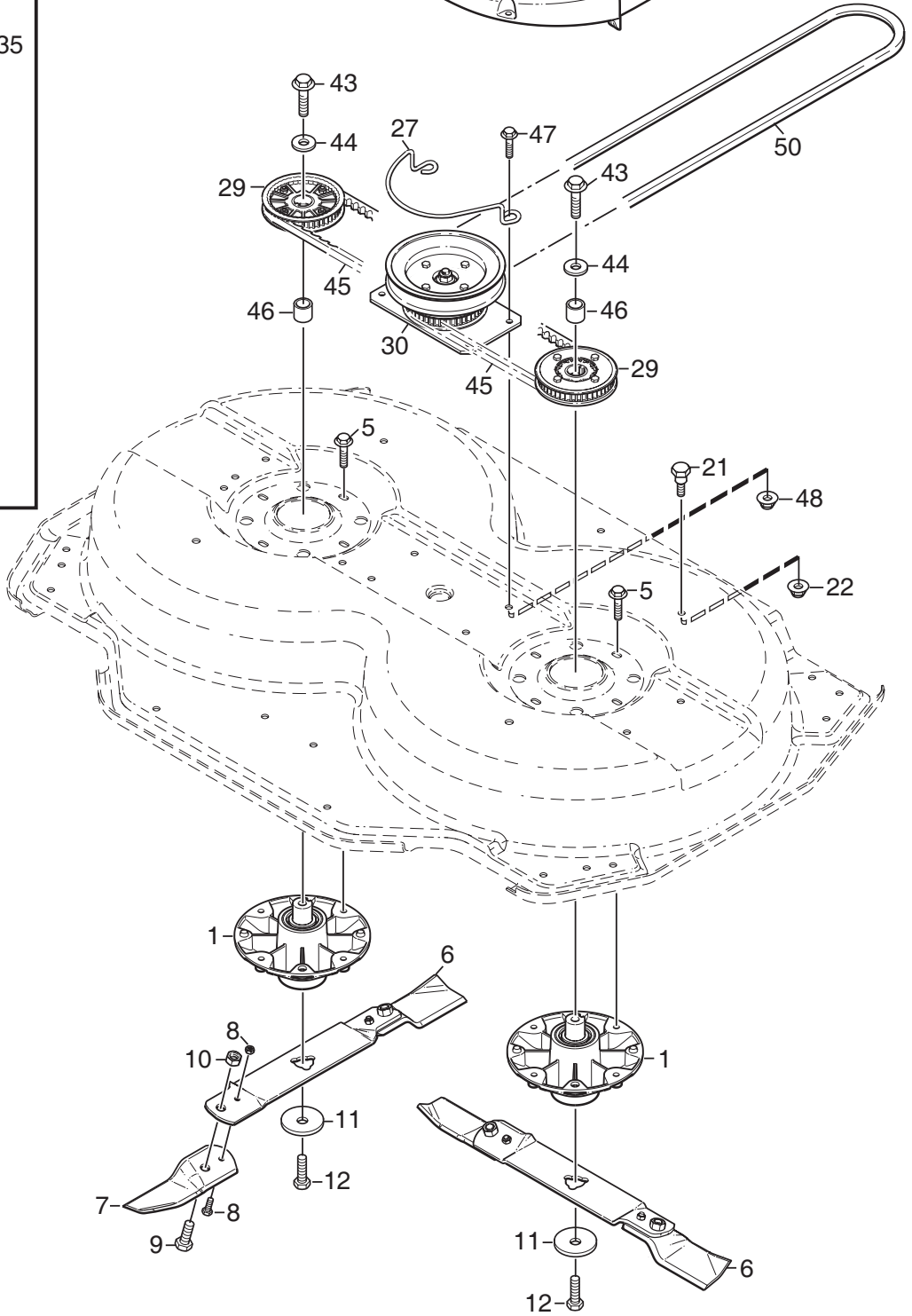
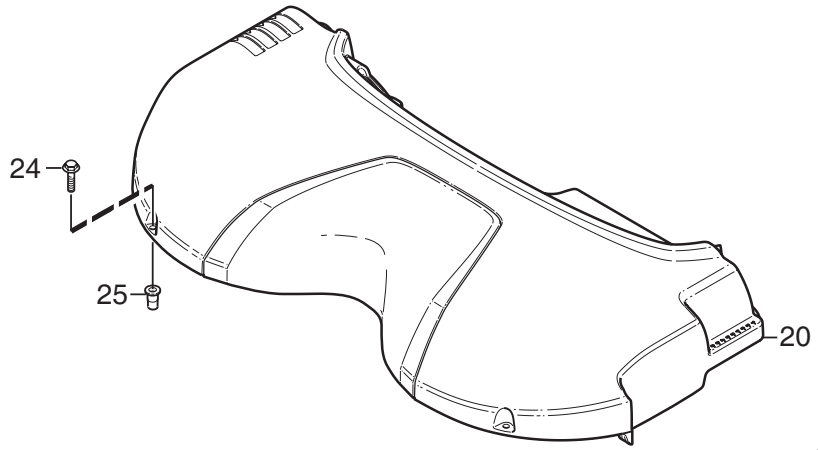
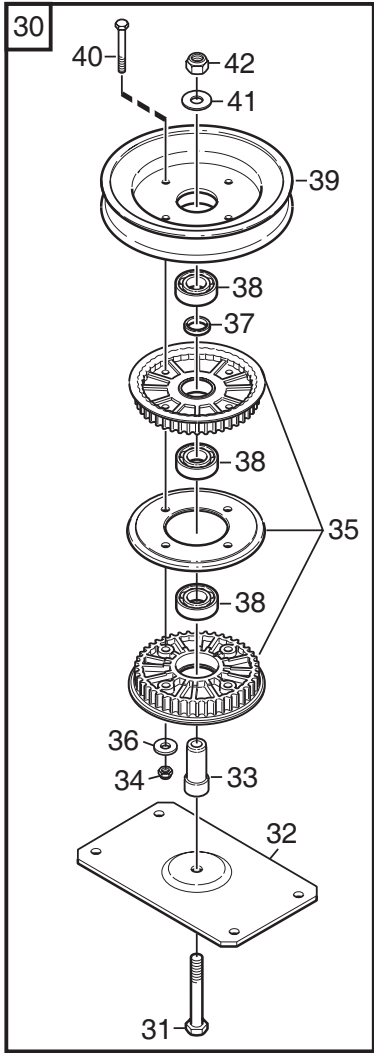


Ausgabe Issue 2010-31		Bild Nr Picture No 2135A		XK MÄHWERK 105C RAHMEN		XK MOWER DECK 105C FRAME		Seite Page 164	
Pos. Fig.	Anzahl/Quantity				Artikel Nr. Part No	Bezeichnung	Description	Satz Kit	Anmerkung Notes
	2972 2974 -74								
1	1				1134-6191-03	Haube- rot.....	Casing- red.....		Pos 13 (3 pcs) incl.
2	1				1134-6208-02	Frontschutz- schwarz.....	Front guard tube- bl.		
3	2				1134-6223-02	Seitenschutz- schwarz	Side guard tube- black		
4	4				9403-0025-70	Propfen- schwarz.....	End cap- black.....		
5	6				9959-0816-16	Schraube	Screw		
6	6				9739-0831-22	Mutter	Nut		
7	1				1134-6281-03	Gummischutz	Rubber guard		
8	3				9959-0816-16	Schraube	Screw		
9	3				1134-4185-01	Flanschscheibe	Flange washer		
10	3				9739-0831-22	Mutter	Nut		
11	1				1134-6231-01	Mulchpropfen	Mulching plug		
12	1				9959-0816-16	Schraube	Screw		
13	3				1134-5595-01	• Nietmutter.....	• Riveting nut.....		
20	1				1134-6237-07	Mähwerkarm- L, schw	Deck arm- LH, black.....		
21	1				1134-6237-08	Mähwerkarm- R, schw.....	Deck arm- RH, black		
22	2				1134-6279-01	Schulter-schraube.....	Shoulder bolt		
23	1				1134-6315-02	Hebehalter- schw	Lift bracket- black.....		
24	2				9959-0816-16	Schraube	Screw		
25	2				9739-0831-22	Mutter	Nut		
30	1				1134-6362-01	Hebefeder kpl	Lift spring assy	Pos 31 - 35 incl.	
31	2				1134-5528-01	• Karabinerhaken.....	• Snap hook.....		
32	1				1134-6368-02	• Kette	• Chain	7 links	
33	1				1134-6368-01	• Kette	• Chain	4 links	
34	1				1134-6365-03	• Hebefeder	• Lift spring.....		
35	2				1134-4623-01	• S- Haken	• S- hook.....		
99	1				8211-7080-90	Bedienungsanleitung	Owner's manual	Not ill.	

X



Ausgabe Issue 2010-31		Bild Nr Picture No 2136		XK MÄHWERK 105C REGULIERUNGEN		XK MOWER DECK 105C CONTROLS		Seite Page 166	
Pos. Fig.	Anzahl/Quantity			Artikel Nr. Part No	Bezeichnung	Description	Satz Kit	Anmerkung Notes	
	2972 -74	2974 -74							
1	1	1		1134-6275-02	Vorderachse- schwarz	Front axle- black.....			
2	1	1		1134-6215-03	Halter- L, schwarz.....	Bracket fr- LH, black.....			
3	1	1		1134-6215-04	Halter- R, schwarz	Bracket fr- RH, black			
4	4	4		9959-0816-16	Schraube	Screw.....			
5	4	4		9739-0831-22	Mutter	Nut			
6	2	2		1134-6278-02	Leitblech- schwarz.....	Guide- black			
7	2	2		1134-4284-01	Rad	Wheel.....			
8	4	4		1134-4319-01	Lager	Bearing.....			
9	2	2		1134-4318-01	Radachse.....	Wheel axle.....			
10	2	2		9897-0813-02	Schraube	Screw.....			
11	2	2		9747-0831-02	Mutter.....	Lock nut.....			
12	1	1		1134-6197-02	Hinterachse- schwarz	Rear axle- black			
13	1	1		1134-6282-01	Rollen- L, m.Halter.....	Roller- LH, w/bracket		Pos 15 - 18 incl.	
14	1	1		1134-6282-02	Rollen- R, m.Halter	Roller- RH, w/bracket.....		Pos 15 - 18 incl.	
15	1	1		9897-0813-02	• Schraube	• Screw			
16	1	1		9739-0831-22	• Mutter	• Nut			
17	1	1		1134-4318-01	• Radachse.....	• Wheel axle.....			
18	2	2		1134-6206-01	• Rollen	• Roller			
19	4	4		9959-0816-16	Schraube	Screw.....			
20	4	4		9739-0831-22	Mutter	Nut			
21	2	2		1134-6198-01	Stange	Stud			
22	2	2		9699-0104-02	Scheibe.....	Washer.....			
23	2	2		9598-2001-02	Schließnadel	Spring pin			
24	2	2		9646-0098-22	Niet.....	Rivet.....			
25	2	2		9675-0012-02	Verriegelungsscheibe	Locking washer.....			
26 A	1			1134-6249-01	Druckstange- L	Push rod- LH.....			
26 B		1		1134-6250-01	Druckstange- L	Push rod- LH.....			
27	1	1		1134-6246-01	Druckstange- R.....	Push rod- RH			
28	4	4		9675-0015-02	Verriegelungsscheibe	Lock washer.....			
29	1			1134-6255-01	Höhenverstellsektor.....	Height adj. quadrant.....			
30	2			9959-0816-16	Schraube	Screw.....			
31	2			9739-0831-22	Mutter	Nut			
32	1			1134-6244-02	Höhenverst.hebel- schw	Height adj.lever- bl			
33	1			1134-6254-01	Sperre.....	Catch.....			
34	1			1134-5444-01	Druckstange	Push rod			
35	1			1134-5445-01	Feder	Spring			
36	1			1134-5503-01	Griff	Handle.....			
37	1			9699-0087-02	Scheibe.....	Flat washer.....			
38	1			1134-3051-01	Sperrknopf.....	Locking knob			
39	1			1134-6286-03	Distanz.....	Spacer.....			
40	1			1134-1565-16	Distanz.....	Spacer.....			
41	2			9646-0105-22	Niet.....	Rivet.....			
42	2			9672-0006-02	Verriegelungsscheibe	Lock washer			
43	1			9997-0850-16	Schraube	Screw.....			
44	1			9747-0831-02	Mutter.....	Lock nut.....			
45	2	2		9699-0028-02	Scheibe.....	Flat washer.....			
50		1		1134-6417-01	El. Hebegerät	Actuator			
50 A		1		1134-6373-01	• Stangenende.....	• Rod end			
50 B		1		1134-6418-02	• Kabel.....	• Cable			
50 C		1		1134-6182-01	•• Kontakt	•• Male terminal		L = 490 mm	
51		1		1134-6192-01	Halterung	Bracket.....			
52		2		9959-0816-16	Schraube	Screw.....			
53		2		9739-0831-22	Mutter	Nut			
54		2		9646-0098-22	Niet.....	Rivet.....			
55		2		9675-0012-02	Verriegelungsscheibe	Locking washer.....			



Ausgabe Issue 2010-31		Bild Nr Picture No 2137B		XK MÄHWERK 105C TRANSMISSION		XK MOWER DECK 105C TRANSMISSION		Seite Page 168	
Pos. Fig.	Anzahl/Quantity				Artikel Nr. Part No	Bezeichnung	Description	Satz Kit	Anmerkung Notes
	2972 2974 -74								
	1	2			1134-5831-01	Lagerbuchse kpl	Bearing box assy.....		
	5	8			9945-0825-16	Schraube	Screw		
	6	2			1134-6240-03	Messer kpl.....	Blade bar assy.....		Pos 7 incl.
	7	1			1134-9119-01	• Messersatz	• Blade kit		Pos 8 - 10 incl.
	8	1			1134-9054-01	•• Scherbolzensatz.....	•• Shear bolt kit.....		
	9	2			1134-6311-01	•• Bolt	•• Bolt.....		7/16" UNF
	10	2			1134-6312-01	•• Schloßmutter	•• Lock nut		7/16" UNF
	11	2			1134-6211-01	Messerscheibe.....	Blade washer.....		
	12	2			9997-1060-12	Schraube	Screw.....		
	20	1			1134-6280-03	Deckel- grau.....	Transm.cover- grey		
	21	2			1134-0240-01	Schulter-schraube.....	Shoulder screw		
	22	2			9739-0831-22	Mutter	Nut		
	24	2			9945-0825-16	Schraube	Screw.....		
	25	2			1134-5595-01	Nietmutter	Riveting nut.....		
	27	1			1134-6431-01	Riemenführung.....	Belt guide		
	29	2			1134-6287-01	Zahnriemenscheibe	Toothed belt pulley		
X	30	1			1137-0116-02	Riemenscheibe kpl	Belt pulley		Pos 31 - 42 incl.
	31	1			9997-1070-12	• Schraube	• Screw		
	32	1			1134-6209-01	• Halterung	• Bracket		
X	33	1			1134-6205-02	• Achse.....	• Shaft		
	34	4			9747-0631-02	• Mutter	• Lock nut		
X	35	1			1134-9128-02	• Zahnriemenscheibe.....	• Belt pulley		
	36	4			9699-0060-02	• Scheibe.....	• Flat washer		
X	37	1			1134-3725-06	• Distanz.....	• Spacer		H = 1.5 mm
	38	3			9549-0019-00	• Kugellager.....	• Ball bearing		
X	39	1			1137-0118-01	• Riemenscheibe	• Belt pulley		Ø = 168 mm
	40	4			9997-0650-12	• Schraube	• Screw		
	41	1			9699-0030-02	• Scheibe.....	• Flat washer		
	42	1			9731-1031-22	• Mutter.....	• Nut		
	43	2			9997-1060-12	Schraube	Screw.....		
	44	2			1134-5406-01	Scheibe.....	Washer.....		
	45	2			9585-0165-01	Zahnriemen	Toothed belt		
	46	2			1134-5400-04	Distanz.....	Spacer.....		
	47	4			9959-0820-16	Schraube	Screw.....		
	48	4			9739-0831-22	Mutter	Nut		
X	50	1			9585-0199-01	Keilriemen (4WD).....	V- belt (4WD)		
X	50	1			9585-0200-01	Keilriemen (2WD).....	V- belt (2WD)		