



Green Passion

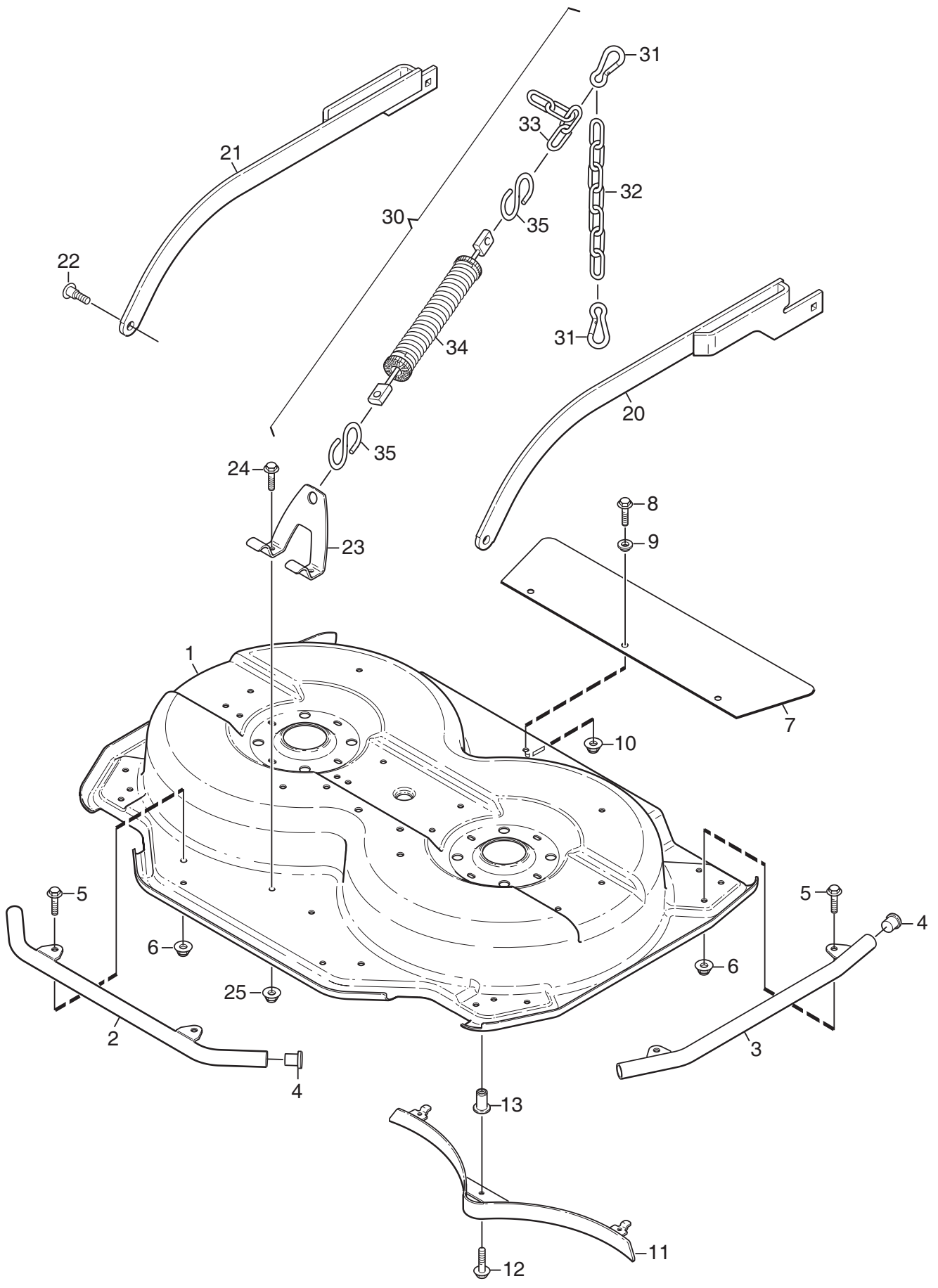
Illustrated Parts List

XK Mower Deck 95C
Model Year 2011

- Use GLOBAL GARDEN PRODUCT Genuine Spare Parts specified in the parts list for repair and/or replacement.
- The contents described in the parts list may change due to improvement.
- The drawings of the spare parts are only indicative and might not represent the part in question exactly.
- The indications "right" - "left" - "front" - "rear" refer to the position of the operator when using the machine.
- When placing orders of parts for repair and/or replacement, make sure that the illustrated parts list is the one applying to the machine's year of manufacture, as shown on the identification plate attached to the machine.

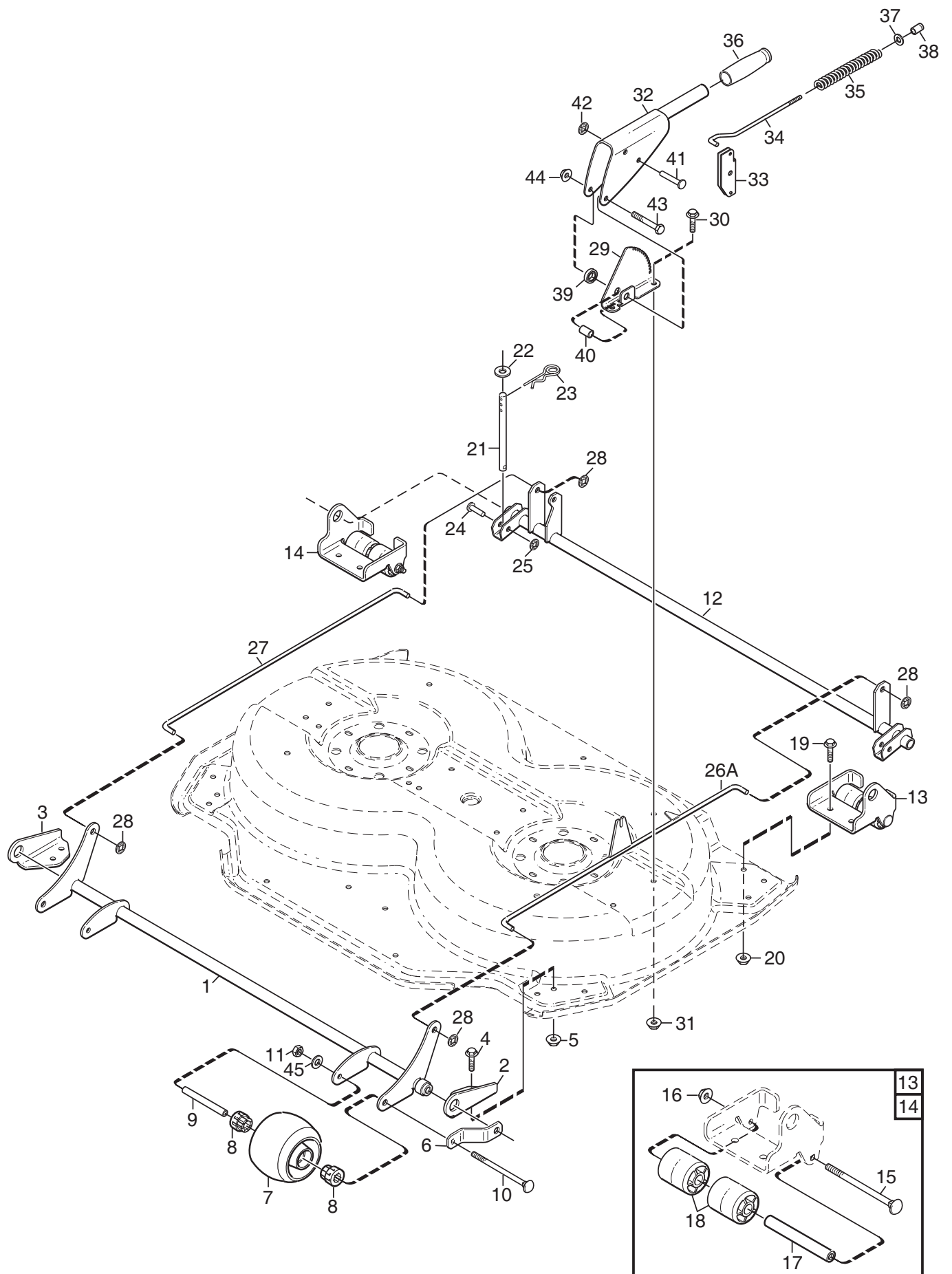
COPYRIGHT by GLOBAL GARDEN PRODUCTS

All rights reserved. No part of this material may be reproduced or transmitted, in any form or by any means, electronic or mechanical, including photocopying, recording or by any information storage and retrieval system, without permission in writing from GLOBAL GARDEN PRODUCTS.



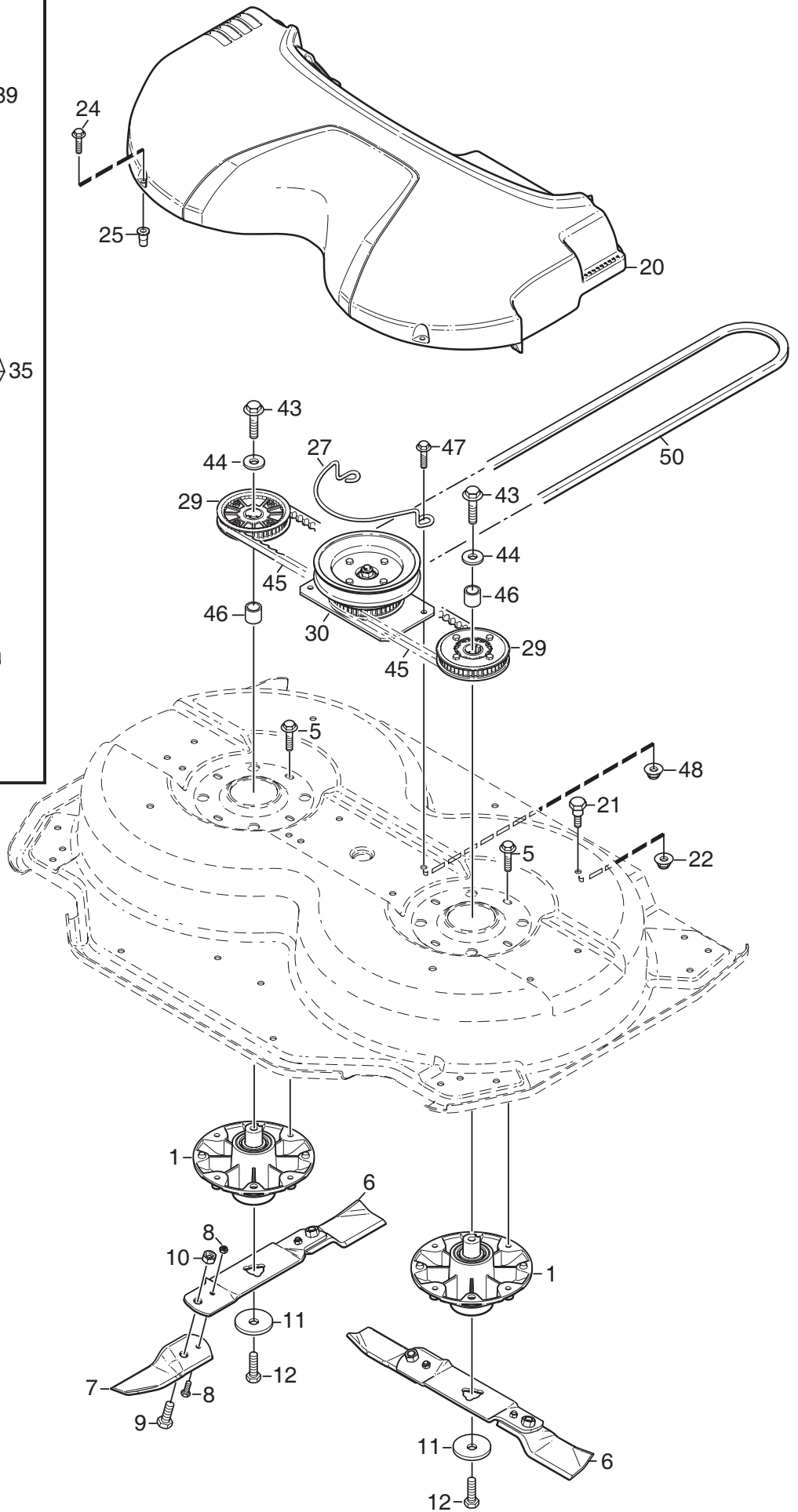
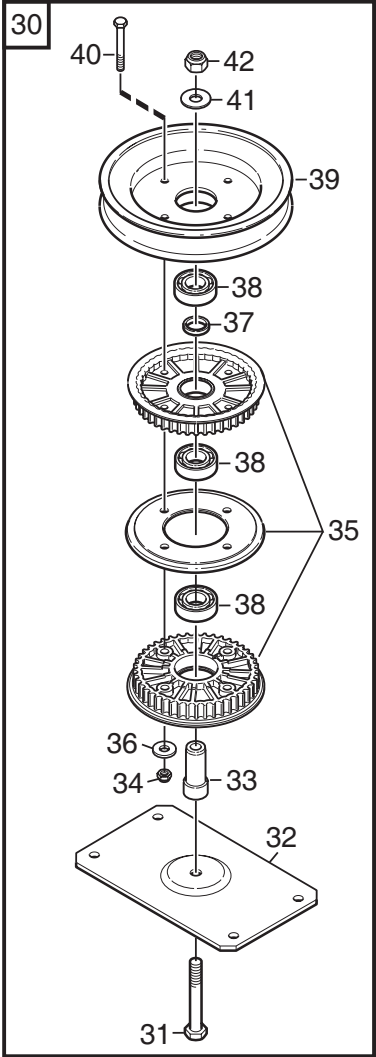
Ausgabe Issue 2011-31		Bild Nr Picture No 2214A		XK MÄHWERK 95C RAHMEN		XK MOWER DECK 95C FRAME		Seite Page 128		
Pos. Fig.	Anzahl/Quantity				Artikel Nr. Part No	Bezeichnung	Description	Satz Kit	Anmerkung Notes	
	2964 -74									
1	1				1134-6190-03	Haube- rot.....	Casing- red.....		Pos 13 (3 pcs) incl.	
2	1				1134-6208-02	Frontschutz- schwarz.....	Front guard tube- bl.			
3	2				1134-6222-02	Seitenschutz- schwarz	Side guard tube- black			
4	6				9403-0025-70	Propfen- schwarz.....	End cap- black.....			
5	6				9959-0816-16	Schraube	Screw			
6	6				9739-0831-22	Mutter	Nut			
7	1				1134-6281-02	Gummischutz	Rubber guard			
8	3				9959-0816-16	Schraube	Screw			
9	3				1134-4185-01	Flanschscheibe	Flange washer			
10	3				9739-0831-22	Mutter	Nut			
11	1				1134-6229-01	Mulchpropfen	Mulching plug			
12	1				9959-0816-16	Schraube	Screw			
13	3				1134-5595-01	• Nietmutter.....	• Riveting nut.....			
20	1				1134-6237-09	Mähwerkarm- L, schw	Deck arm- LH, black.....			
21	1				1134-6237-10	Mähwerkarm- R, schw.....	Deck arm- RH, black			
22	2				1134-6279-01	Schulter-schraube.....	Shoulder bolt			
23	1				1134-6315-02	Hebehalter- schw	Lift bracket- black.....			
24	2				9959-0816-16	Schraube	Screw			
25	2				9739-0831-22	Mutter	Nut			
30	1				1134-6362-01	Hebefeder kpl	Lift spring assy			
31	2				1134-5528-01	• Karabinerhaken.....	• Snap hook.....			
32	1				1134-6368-02	• Kette	• Chain			
33	1				1134-6368-01	• Kette	• Chain			
34	1				1134-6365-03	• Hebefeder	• Lift spring.....			
35	2				1134-4623-01	• S- Haken	• S- hook.....			
99	1				8211-7080-10	Bedienungsanleitung	Owner's manual			
										Pos 31 - 35 incl.
										7 links 4 links
										Not ill.

X



Ausgabe Issue 2011-31		Bild Nr Picture No 2132		XK MÄHWERK 95C REGULIERUNGEN		XK MOWER DECK 95C CONTROLS		Seite Page 130	
Pos. Fig.	Anzahl/Quantity				Artikel Nr. Part No	Bezeichnung	Description	Satz Kit	Anmerkung Notes
	2964 -74								
1	1				1134-6275-02	Vorderachse- schwarz	Front axle- black.....		
2	1				1134-6214-03	Halter- L, schwarz.....	Bracket fr- LH, black.....		
3	1				1134-6214-04	Halter- R, schwarz	Bracket fr- RH, black		
4	4				9959-0816-16	Schraube	Screw		
5	4				9739-0831-22	Mutter	Nut		
6	2				1134-6278-02	Leitblech- schwarz.....	Guide- black		
7	2				1134-4284-01	Rad	Wheel.....		
8	4				1134-4319-01	Lager	Bearing.....		
9	2				1134-4318-01	Radachse.....	Wheel axle.....		
10	2				9897-0813-22	Schraube	Screw		
11	2				9747-0831-02	Mutter.....	Lock nut.....		
12	1				1134-6197-02	Hinterachse- schwarz	Rear axle- black		
13	1				1134-6282-01	Rollen- L, m.Halter.....	Roller- LH, w/bracket		Pos 15 - 18 incl.
14	1				1134-6282-02	Rollen- R, m.Halter	Roller- RH, w/bracket.....		Pos 15 - 18 incl.
15	1				9897-0813-02	• Schraube	• Screw		
16	1				9739-0831-22	• Mutter	• Nut		
17	1				1134-4318-01	• Radachse.....	• Wheel axle.....		
18	2				1134-6206-01	• Rollen	• Roller		
19	4				9959-0816-16	Schraube	Screw		
20	4				9739-0831-22	Mutter	Nut		
21	2				1134-6198-01	Stange	Stud		
22	2				9699-0104-02	Scheibe.....	Washer.....		
23	2				9598-2001-02	Schließnadel	Spring pin		
24	2				9646-0098-22	Niet.....	Rivet.....		
25	2				9675-0012-02	Verriegelungsscheibe	Locking washer.....		
26 A	1				1134-6249-02	Druckstange- L	Push rod- LH.....		
27	1				1134-6246-02	Druckstange- R.....	Push rod- RH		
28	4				9675-0015-02	Verriegelungsscheibe	Lock washer.....		
29	1				1137-0259-01	Höhenverstellsektor.....	Height adj. quadrant.....		
30	2				9959-0816-16	Schraube	Screw		
31	2				9739-0831-22	Mutter	Nut		
32	1				1134-6244-02	Höhenverst.hebel- schw	Height adj.lever- bl.		
33	1				1134-6254-01	Sperre.....	Catch.....		
34	1				1134-5444-01	Druckstange	Push rod		
35	1				1134-5445-01	Feder	Spring		
36	1				1134-5503-01	Griff	Handle.....		
37	1				9699-0087-02	Scheibe.....	Flat washer.....		
38	1				1134-3051-01	Sperrknopf.....	Locking knob		
39	1				1134-6286-03	Distanz.....	Spacer.....		
40	1				1134-1565-16	Distanz.....	Spacer.....		
41	2				9646-0105-22	Niet.....	Rivet.....		
42	2				9672-0006-02	Verriegelungsscheibe	Lock washer		
43	1				9997-0850-12	Schraube	Screw		
44	1				9747-0831-02	Mutter.....	Lock nut.....		
45	2				9699-0028-02	Scheibe.....	Flat washer.....		

X



Ausgabe Issue 2011-31		Bild Nr Picture No 2134B		XK MÄHWERK 95C TRANSMISSION		XK MOWER DECK 95C TRANSMISSION		Seite Page 132	
Pos. Fig.	Anzahl/Quantity				Artikel Nr. Part No	Bezeichnung	Description	Satz Kit	Anmerkung Notes
	2964 -74								
1	2				1134-5831-01 Lagerbuchse kpl	Bearing box assy.....			
5	8				9945-0825-16 Schraube	Screw			
6	2				1134-6240-02 Messer kpl.....	Blade bar assy.....			Pos 7 incl.
7	1				1134-9119-01 • Messersatz	• Blade kit			Pos 8 - 10 incl.
8	1				1134-9054-01 •• Scherbolzensatz.....	•• Shear bolt kit.....			
9	2				1134-6311-01 •• Bolt	•• Bolt.....			7/16" UNF
10	2				1134-6312-01 •• Schloßmutter	•• Lock nut			7/16" UNF
11	2				1134-6211-01 Messerscheibe.....	Blade washer.....			
12	2				9997-1060-12 Schraube	Screw.....			
20	1				1134-6280-03 Deckel- grau.....	Transm.cover- grey			
21	2				1134-0240-01 Schulerschraube.....	Shoulder screw			
22	2				9739-0831-22 Mutter	Nut			
24	2				9945-0825-16 Schraube	Screw			
25	2				1134-5595-01 Nietmutter	Riveting nut.....			
27	1				1134-6431-01 Riemenführung.....	Belt guide			
29	2				1134-6287-01 Zahnriemenscheibe	Toothed belt pulley			
X 30	1				1137-0013-01 Riemenscheibe	Belt pulley			Pos 31 - 42 incl.
31	1				9997-1070-12 • Schraube	• Screw			
32	1				1134-6209-01 • Halterung	• Bracket			
33	1				1134-6205-02 • Achse.....	• Shaft			
34	4				9747-0631-02 • Mutter	• Lock nut			
35	1				1134-9128-02 • Zahnriemenscheibe.....	• Belt pulley			
36	4				9699-0060-02 • Scheibe.....	• Flat washer			
37	1				1134-3725-06 • Distanz.....	• Spacer			H = 1.5 mm
38	3				9549-0019-00 • Kugellager.....	• Ball bearing			
39	1				1137-0117-01 • Riemenscheibe	• Belt pulley			Ø = 154 mm
40	4				9997-0650-12 • Schraube	• Screw			
41	1				9699-0030-02 • Scheibe.....	• Flat washer			
42	1				9731-1031-22 • Mutter.....	• Nut			
43	2				9997-1060-12 Schraube	Screw			
44	2				1134-5406-01 Scheibe.....	Washer.....			
45	2				9585-0164-01 Zahnriemen	Toothed belt			
46	2				1134-5400-04 Distanz.....	Spacer.....			
47	4				9959-0820-16 Schraube	Screw			
48	4				9739-0831-22 Mutter	Nut			
50	1				9585-0197-01 Keilriemen (4WD).....	V- belt (4WD)			
50	1				9585-0198-01 Keilriemen (2WD).....	V- belt (2WD)			