



*Green Passion*

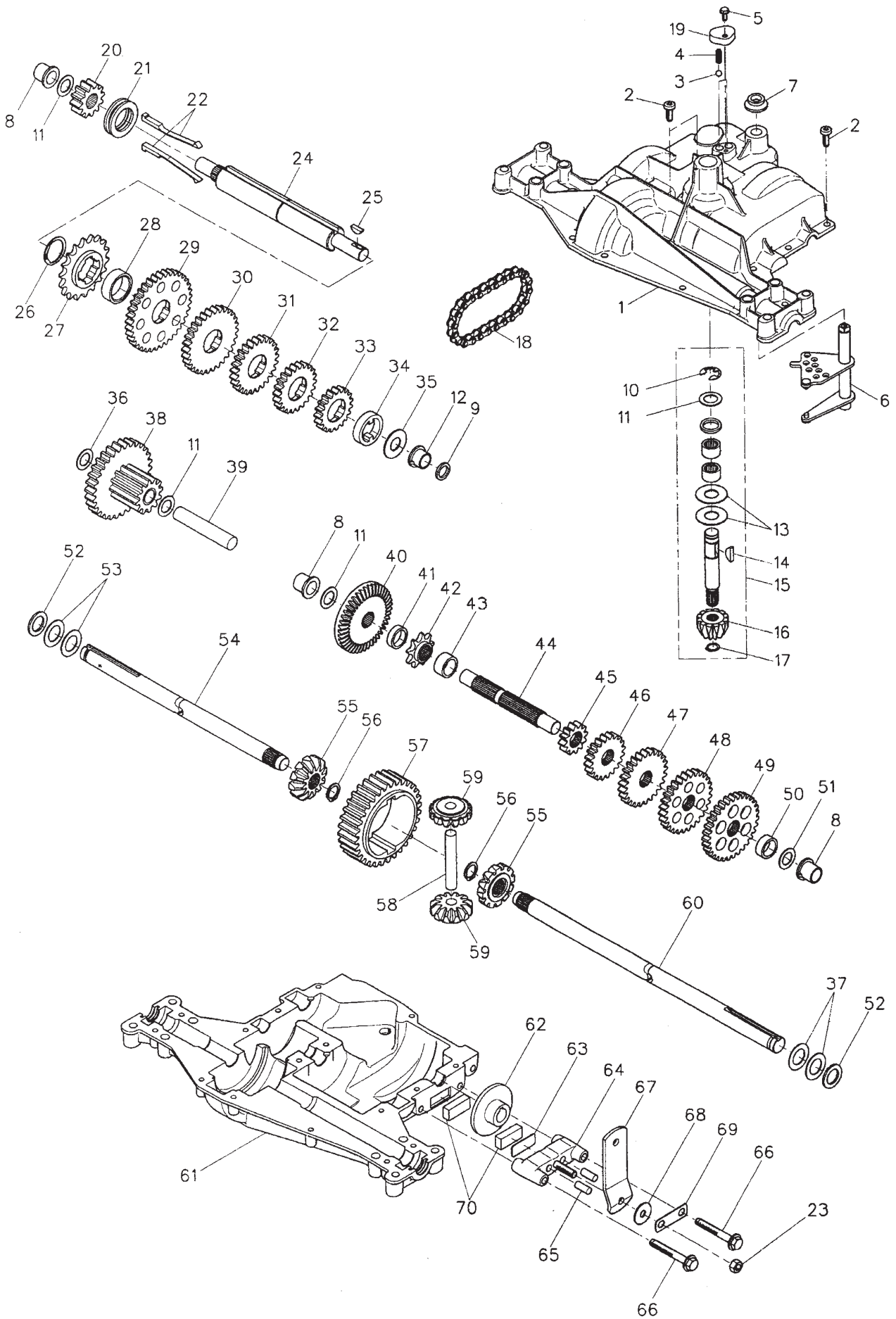
# Illustrated Parts List

**Transmissions Dana-Kanzaki  
Model Year 2008**

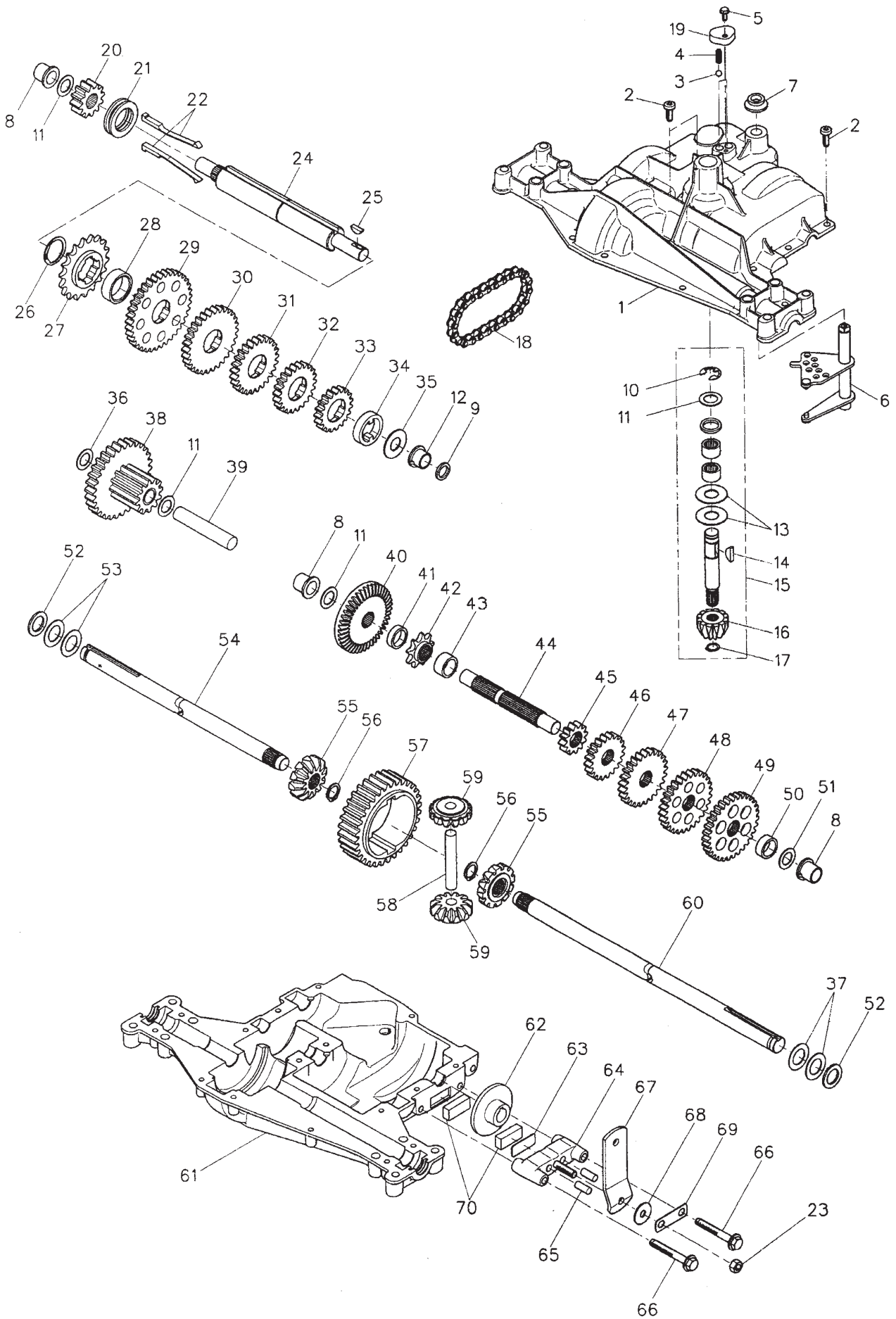
- Use GLOBAL GARDEN PRODUCT Genuine Spare Parts specified in the parts list for repair and/or replacement.
- The contents described in the parts list may change due to improvement.
- The drawings of the spare parts are only indicative and might not represent the part in question exactly.
- The indications "right" - "left" - "front" - "rear" refer to the position of the operator when using the machine.
- When placing orders of parts for repair and/or replacement, make sure that the illustrated parts list is the one applying to the machine's year of manufacture, as shown on the identification plate attached to the machine.

COPYRIGHT by GLOBAL GARDEN PRODUCTS

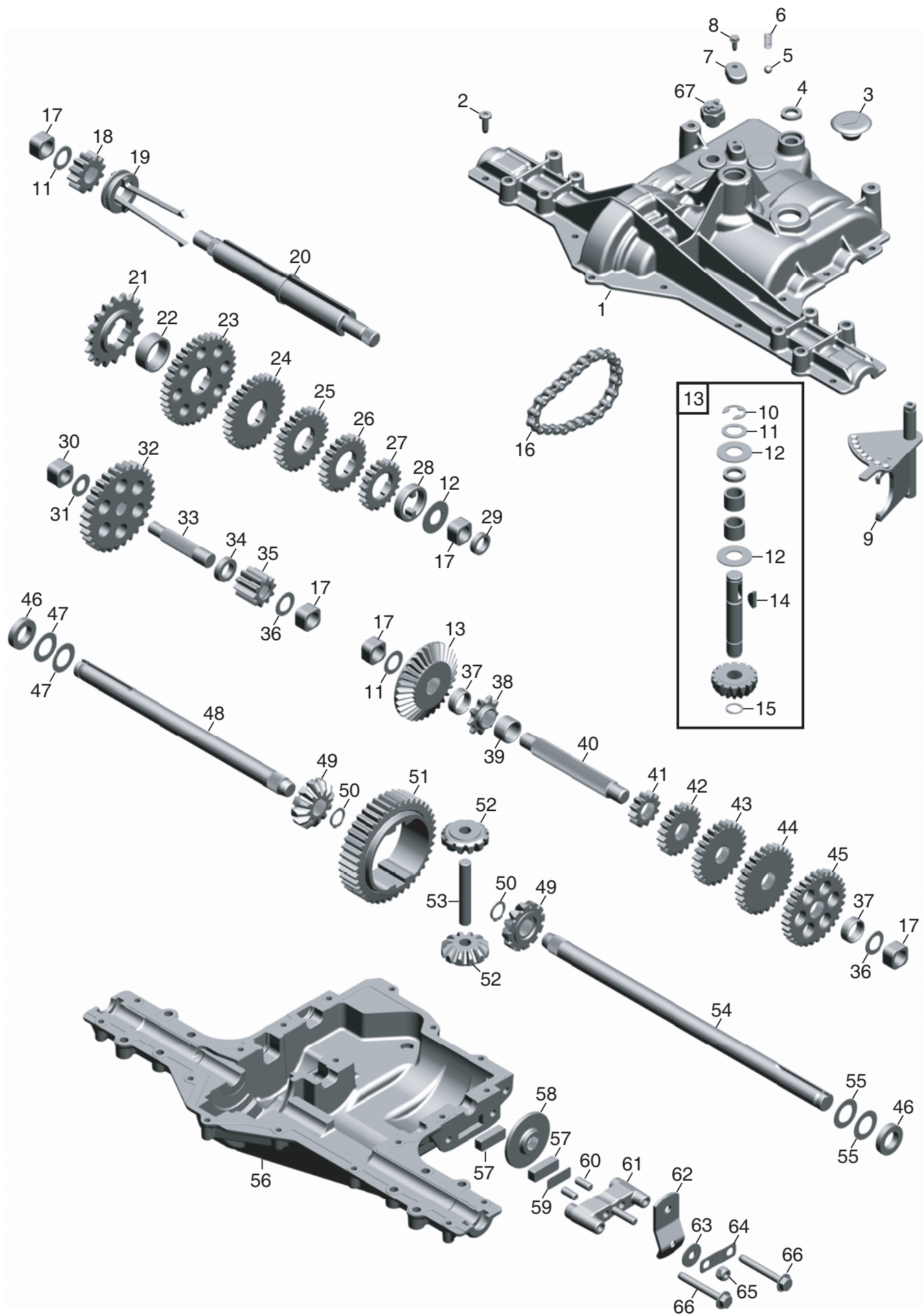
All rights reserved. No part of this material may be reproduced or transmitted, in any form or by any means, electronic or mechanical, including photocopying, recording or by any information storage and retrieval system, without permission in writing from GLOBAL GARDEN PRODUCTS.



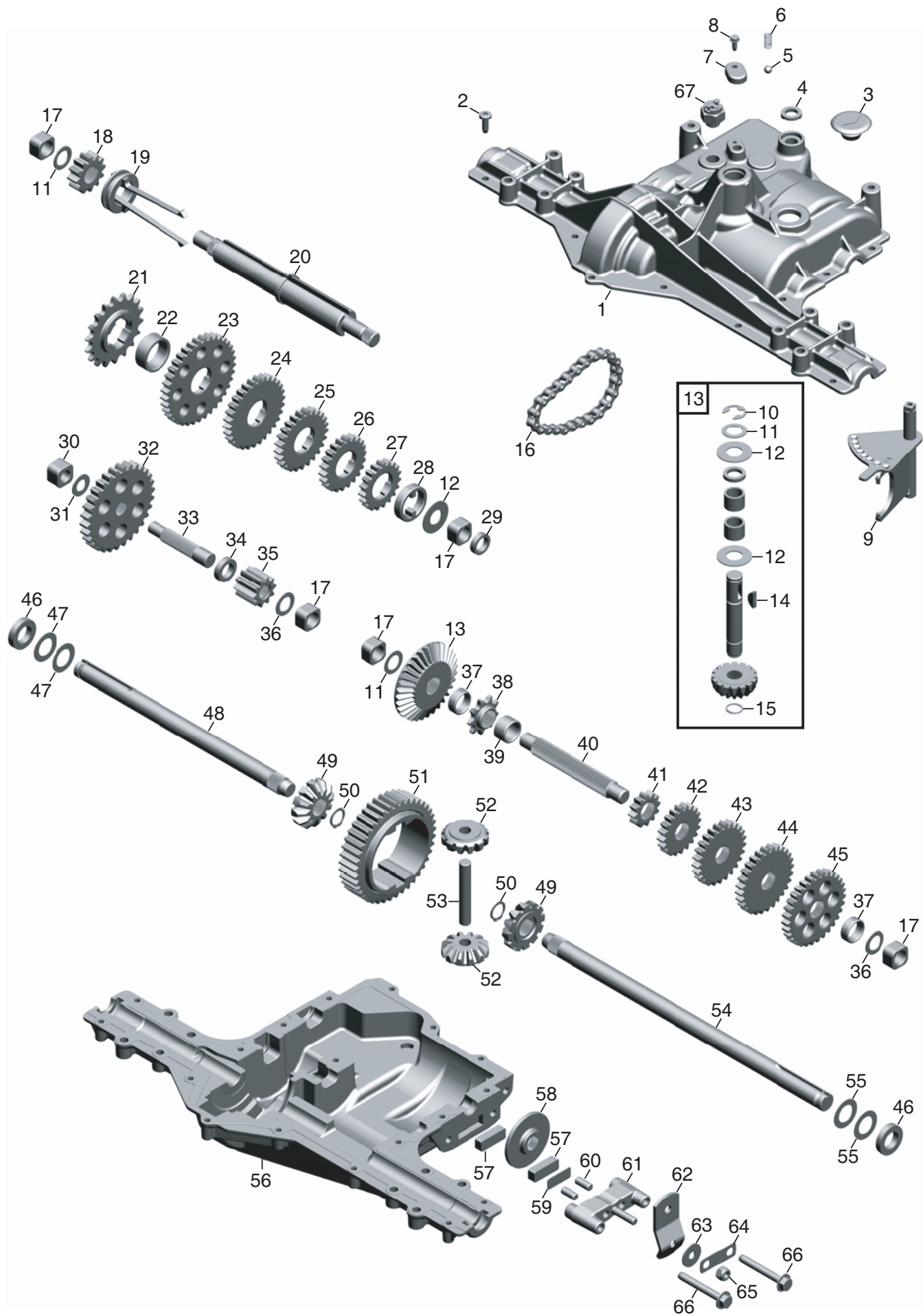
Ausgabe Issue 2008- 31		Bild Nr Picture No C092		DANA GETRIEBE 4360- 197		DANA TRANSAXLE 4360- 197		Seite Page 130	
Pos. Fig.	Anzahl/Quantity				Artikel Nr. Part No	Bezeichnung	Description	Satz Kit	Anmerkung Notes
	4360 -197								
0	1			1134-5281-01	Getriebe Kpl.....	Transaxle assy.....			
1	1			F000-7033-00	Gehäuse- obere.....	Housing- upper .....			
2	16			F000-1919-00	Schraube .....	Screw.....			
3	2			F000-5947-00	Kugel .....	Ball.....			
4	2			F000-5948-00	Feder .....	Spring .....			
5	1			F084-0052-00	Schraube .....	Screw.....			
6	1			F000-6517-00	Shalthebel.....	Shifter kit .....			
7	1			F000-7010-00	Hülse .....	V- ring .....			
8	3			F000-5510-00	Flanschlagler .....	Flange bearing.....			
9	1			F000-5508-00	Dichtring.....	Oil seal .....			
10	1			F000-1106-00	• Schließring .....	• Retaining ring.....			
11	4			F000-4689-00	• Satz- Scheiben .....	• Kit- shim.....			
12	1			F000-5511-00	Flanschlagler .....	Flange bearing.....			
13	2			F000-3876-00	• Scheibe.....	• Washer.....			
14	1			F000-1746-00	• Keil .....	• Key .....			
15	1			F000-6205-00	Eingangswelle kpl.....	Input shaft assy .....			
16	1			F000-5620-00	• Ritzel.....	• Bevel pinion .....		12T	
17	1			F000-3624-00	• Schließring .....	• Retaining ring.....			
18	1			F000-3625-00	Kette .....	Chain.....		24 link	
19	1			F000-5950-00	Deckel.....	Cover .....			
20	1			F000-5627-00	Zahnrad .....	Gear .....		12T	
21	1			F000-5303-00	Hülse .....	Shifter boot.....			
22	1			F000-4758-00	Satz- Keil.....	Kit- clutch keys.....			
23	1			F000-3847-00	Gegenmutter.....	Lock nut.....			
24	1			F000-5737-00	Achse.....	Intermediate shaft .....			
25	1			F000-1375-00	Schalteisen .....	Woodruff key .....			
26	1			F000-3627-00	Schließring .....	Retaining ring .....			
27	1			F000-3830-00	Kettenrad .....	Sprocket.....		18T	
28	1			F000-3841-00	Distanz.....	Spacer.....			
29	1			F000-5365-00	Zahnrad .....	Gear, spur .....		37T	
30	1			F000-3867-00	Zahnrad .....	Gear, spur .....		30T	
31	1			F000-3783-00	Zahnrad .....	Gear, spur .....		25T	
32	1			F000-3869-00	Zahnrad .....	Gear, spur .....		22T	
33	1			F000-5202-00	Zahnrad .....	Gear, spur .....		19T	
34	1			F000-5027-00	Distanz.....	Spacer.....			
35	1			F000-3628-00	Scheibe.....	Washer.....			
36	1			F000-1425-00	Scheibe.....	Washer.....			
37	1			F000-4691-00	Satz- Scheiben .....	Kit- shim.....			
38	1			F000-6358-00	Zahnrad .....	Gear comb. ....		12T+30T	
39	1			F000-3967-00	Achse.....	Idler shaft.....			
40	1			F000-7003-00	Zahnrad .....	Bevel gear .....		36T	
41	1			F000-3630-00	Distanz.....	Spacer.....			
42	1			F000-3645-00	Kettenrad .....	Sprocket.....		9T	
43	1			F000-5016-00	Distanz.....	Spacer.....			
44	1			F000-5015-00	Achse.....	Drive shaft.....			
45	1			F000-5364-00	Zahnrad .....	Gear, spur .....		12T	
46	1			F000-3866-00	Zahnrad .....	Gear, spur .....		20T	
47	1			F000-3719-00	Zahnrad .....	Gear, spur .....		25T	
48	1			F000-3868-00	Zahnrad .....	Gear, spur .....		28T	
49	1			F000-3683-00	Zahnrad .....	Gear, spur .....		31T	
50	1			F000-3714-00	Distanz.....	Spacer.....			
51	1			F000-1145-00	Scheibe.....	Washer.....			
52	2			F000-5130-00	Dichtung.....	Seal.....			
53	2			F000-3184-00	Scheibe.....	Washer.....			
54	1			F000-7031-10	Radachse- links .....	Wheel axle- LH .....			
55	2			F000-5622-00	Zahnrad .....	Miter gear .....		12T	
56	2			F000-5270-00	Schließring .....	Retaining ring .....			
57	1			F000-3839-00	Zahnrad .....	Gear, spur .....		32T	
58	1			F000-3919-00	Achse.....	Cross shaft.....			
59	2			F000-5623-00	Zahnrad .....	Miter gear .....		12T	
60	1			F000-7031-20	Radachse- rechts .....	Wheel axle- RH .....			
61	1			F000-5304-M0	Gehäuse- untere.....	Housing- lower.....			
62	1			F000-5960-00	Bremsscheibe.....	Brake disc .....			



Ausgabe Issue 2008-31		Bild Nr Picture No C092		DANA GETRIEBE 4360-197		DANA TRANSAXLE 4360-197		Seite Page 132	
Pos. Fig.	Anzahl/Quantity				Artikel Nr. Part No	Bezeichnung	Description	Satz Kit	Anmerkung Notes
	4360 -197								
63	1				F000-3758-00	Distanz.....	Spacer.....		Not ill.
64	1				F000-5554-00	Bremshalter .....	Brake jaw .....		
65	2				F000-3843-00	Sperrstift .....	Dowel pin .....		
66	2				F000-5562-00	Schraube .....	Screw.....		
67	1				F000-7032-00	Bremsarm.....	Actuating lever .....		
68	1				F000-3760-00	Scheibe.....	Washer.....		
69	1				F000-5555-00	Scheibe.....	Bracket.....		
70	2				F000-3907-00	Friktionsbelage .....	Friction puck .....		
98					F000-4300-00	Schmierfett.....	Grease.....		

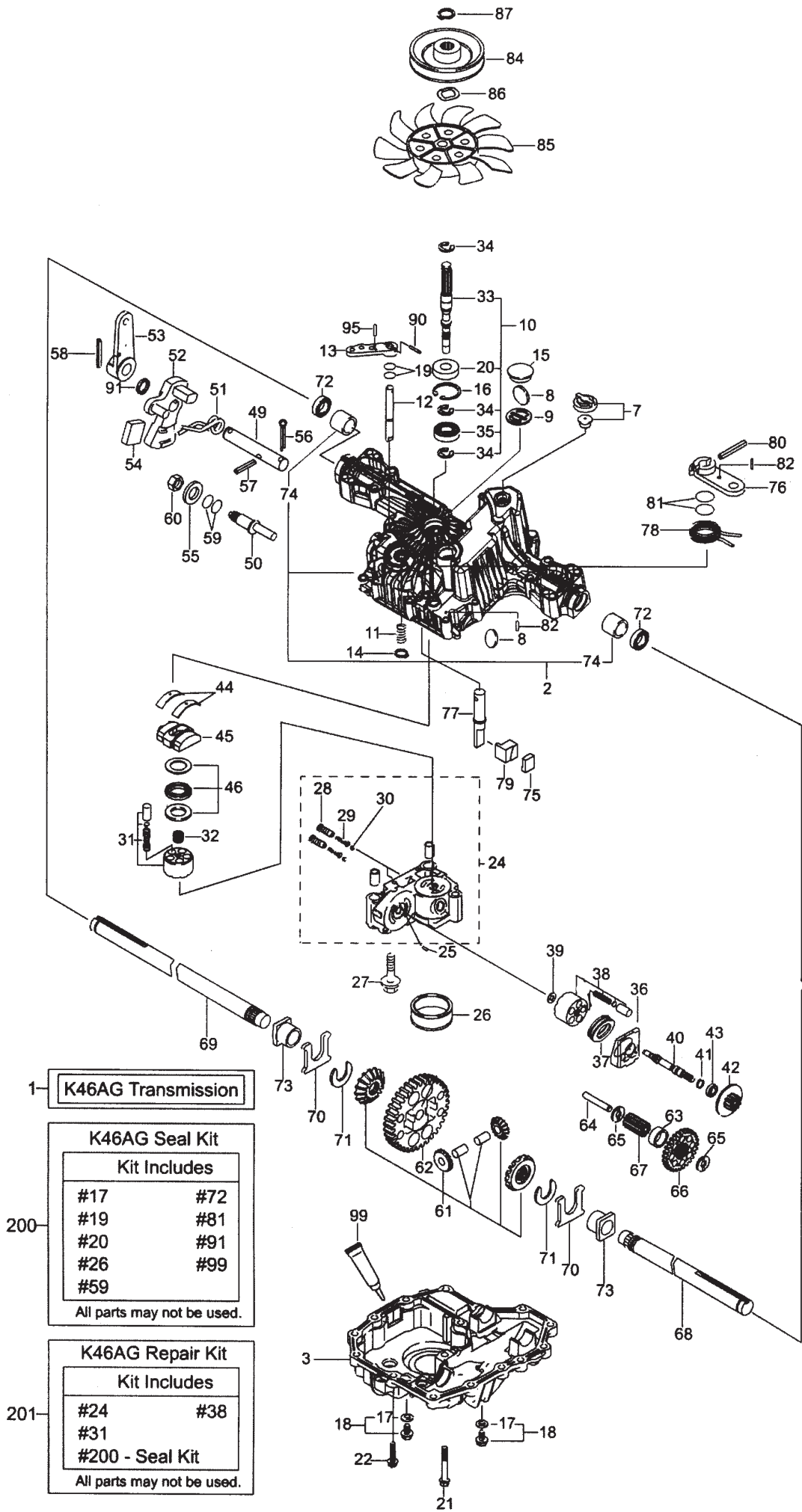


Ausgabe Issue 2008-31		Bild Nr Picture No C161		DANA GETRIEBE 6800-7 6800-8		DANA TRANSAXLE 6800-7 6800-8		Seite Page 134	
Pos. Fig.	Anzahl/Quantity			Artikel Nr. Part No	Bezeichnung	Description	Satz Kit	Anmerkung Notes	
	6800 -7	6800 -8							
0	1			1134-6338-01	Getriebe Kpl.....	Transaxle assy.....		Dana 6800-7	
0		1		1134-6349-01	Getriebe Kpl.....	Transaxle assy.....		Dana 6800-8	
1	1			F000-6768-00	Gehäuse- obere.....	Housing- upper assy.....		Pos 4, 7-8 incl.	
1		1		F000-6769-00	Gehäuse- obere.....	Housing- upper assy.....		Pos 4, 7-8 incl.	
2	18	18		F000-1919-00	Schraube.....	Screw.....			
3	1	1		F004-1356-00	Gummipropfen.....	Rubber plug.....			
4	1	1		F000-7089-00	• Dichtring.....	• Oil seal.....			
5	1	1		F000-5947-00	Kugel.....	Ball.....			
6	1	1		F000-5948-00	Feder.....	Spring.....			
7	1	1		F000-7101-00	• Deckel.....	• Detent cover.....			
8	1	1		F084-0052-00	• Schraube.....	• Screw.....			
9	1	1		F000-6670-00	Schaltführer.....	Shifter.....			
10	1	1		F000-1106-00	• Schließring.....	• Retaining ring.....			
11	3	3		F000-4689-00	• Satz- Scheiben.....	• Kit- shim.....			
12	3	3		F000-3876-00	• Scheibe.....	• Washer.....			
13	1	1		F000-6753-00	Eingangswelle.....	Input shaft assy.....		Pos 10-12, 14-15	
14	1	1		F000-1746-00	• Keil.....	• Key.....			
15	1	1		F000-3956-00	• Schließring.....	• Retaining ring.....			
16	1	1		F000-3625-00	Kette.....	Chain.....			
17	5	5		F000-7091-00	Buchse.....	Bushing.....			
18	1	1		F000-7080-00	Zahnrad.....	Spur gear.....		12T	
19	1	1		F000-6692-00	Schaltheüse.....	Shift collar.....			
20	1	1		F000-7086-00	Achse.....	Intermediate shaft.....			
21	1	1		F000-3830-00	Kettenrad.....	Sprocket.....		18T	
22	1	1		F000-7094-00	Distanz.....	Spacer.....			
23	1	1		F000-5365-00	Zahnrad.....	Gear, spur.....		37T	
24	1	1		F000-3867-00	Zahnrad.....	Gear, spur.....		30T	
25	1	1		F000-3783-00	Zahnrad.....	Gear, spur.....		25T	
26	1	1		F000-3869-00	Zahnrad.....	Gear, spur.....		22T	
27	1	1		F000-5202-00	Zahnrad.....	Gear, spur.....		19T	
28	1	1		F000-5027-00	Distanz.....	Spacer.....			
29	1	1		F000-7115-00	Dichtring.....	Oil seal.....			
30	1	1		F000-7092-00	Buchse.....	Bushing.....			
31	1	1		F000-3890-00	Scheibe.....	Plain washer.....			
32	1	1		F000-7079-00	Zahnrad.....	Spur gear.....		30T	
33	1	1		F000-7083-00	Achse.....	Idler shaft.....			
34	1	1		F000-3410-00	Distanz.....	Spacer.....			
35	1	1		F000-5180-00	Zahnrad.....	Spur gear.....		10T	
36	2	2		F000-1425-00	Scheibe.....	Washer.....			
37	2	2		F000-3714-00	Distanz.....	Spacer.....			
38	1	1		F000-3645-00	Kettenrad.....	Sprocket.....		9T	
39	1	1		F000-7162-00	Distanz.....	Spacer.....			
40	1	1		F000-7084-00	Achse.....	Drive shaft.....			
41	1	1		F000-5364-00	Zahnrad.....	Gear, spur.....		12T	
42	1	1		F000-3866-00	Zahnrad.....	Gear, spur.....		20T	
43	1	1		F000-3719-00	Zahnrad.....	Gear, spur.....		25T	
44	1	1		F000-3868-00	Zahnrad.....	Gear, spur.....		28T	
45	1	1		F000-3683-00	Zahnrad.....	Gear, spur.....		31T	
46	2	2		F000-7088-00	Dichtring.....	Oil seal.....			
47	2	2		F000-3184-00	Scheibe.....	Washer.....			
48	1			F000-7165-10	Radachse- L.....	Wheel axle- LH.....			
48		1		F000-7166-10	Radachse- L.....	Wheel axle- LH.....			
49	2	2		F000-5622-00	Zahnrad.....	Miter gear.....		12T	
50	2	2		F000-5270-00	Schließring.....	Retaining ring.....			
51	1	1		F000-5181-00	Zahnrad.....	Spur gear.....		41T	
52	2	2		F000-5623-00	Zahnrad.....	Miter gear.....		12T	
53	1	1		F000-3919-00	Achse.....	Cross shaft.....			
54	1			F000-7165-20	Radachse- R.....	Wheel axle- RH.....			
54		1		F000-7166-20	Radachse- R.....	Wheel axle- RH.....			
55	1	1		F000-4691-00	Satz- Scheiben.....	Kit- shim.....			
56	1	1		F000-7071-A0	Gehäuse- untere.....	Housing- lower.....			
57	1	1		F000-6754-00	Friktionsbelag- Satz.....	Friction puck kit.....			
58	1	1		F000-7103-00	Bremsscheibe.....	Brake disc.....			

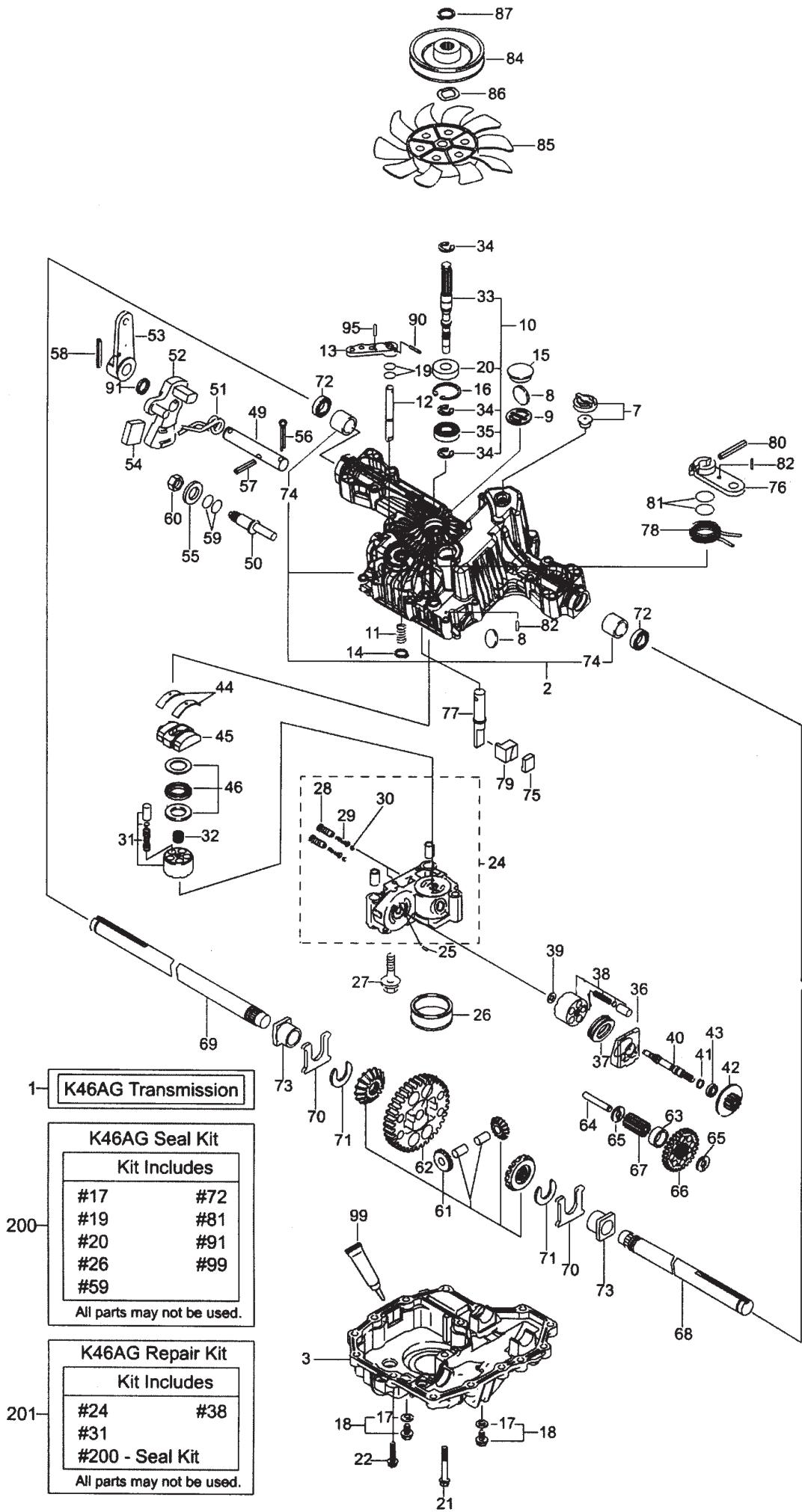




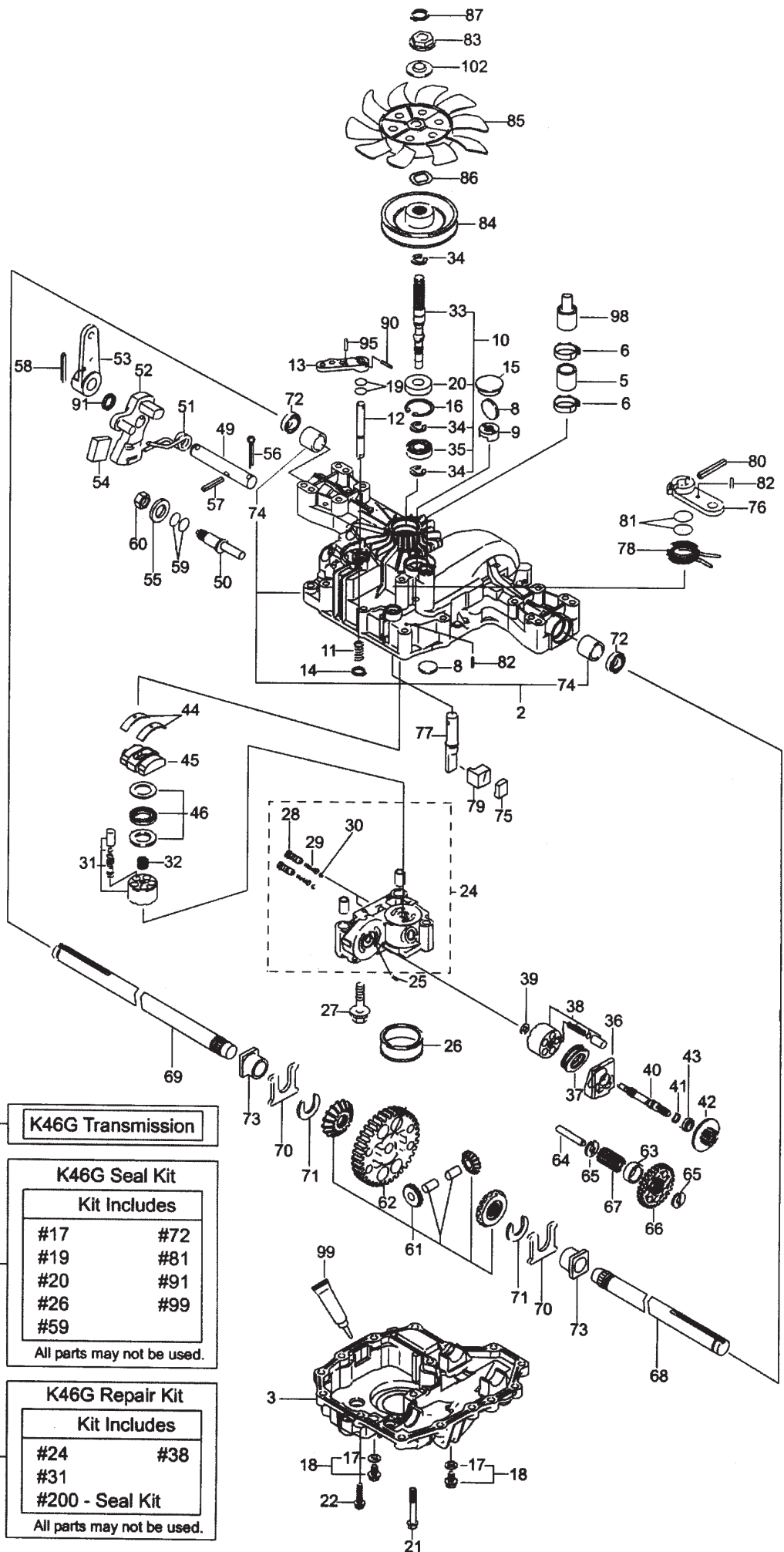
Ausgabe Issue 2008-31		Bild Nr Picture No C161		DANA GETRIEBE 6800-7 6800-8		DANA TRANSAXLE 6800-7 6800-8		Seite Page 136	
Pos. Fig.	Anzahl/Quantity			Artikel Nr. Part No	Bezeichnung	Description	Satz Kit	Anmerkung Notes	
	6800 -7	6800 -8							
59	1	1		F000-3758-00	Distanz.....	Spacer.....			
60	2	2		F000-3843-00	Sperrstift .....	Dowel pin .....			
61	1	1		F000-5554-00	Bremshalter .....	Brake jaw .....			
62		1		F000-7029-00	Bremsarm.....	Actuating lever .....			
62	1			F000-7032-00	Bremsarm.....	Actuating lever .....			
63	1	1		F000-3760-00	Scheibe.....	Washer.....			
64	1	1		F000-5555-00	Scheibe.....	Bracket.....			
65	1	1		F000-3847-00	Gegenmutter.....	Lock nut.....			
66	2	2		F000-5562-00	Schraube .....	Screw.....			
67		1		F000-7034-00	Schalter .....	Switch.....			



Ausgabe Issue 2008-31		Bild Nr Picture No C093B		KANZAKI GETRIEBE K46AG (s/n 0030153-9999999)		KANZAKI TRANSAXLE K46AG (s/n 0030153-9999999)		Seite Page 138	
Pos. Fig.	Anzahl/Quantity				Artikel Nr. Part No	Bezeichnung	Description	Satz Kit	Anmerkung Notes
	K46 AG								
	1				1134-4846-01	Getriebe kpl .....	Transaxle assy.....		Kanzaki K46AG
	2				1139-1485-01	Gehäuse- obere.....	Housing- upper .....		
	3				1139-1402-01	Gehäuse- untere.....	Case- lower .....		
	7				1139-1100-01	Ventil kpl.....	Vent valve assy .....		
	8				1139-1150-01	Magnet .....	Magnet.....	S	
	9				1139-1341-01	Halter- Magnet .....	Holder- magnet .....		
X	10				1139-1499-01	Pumpenachse kpl .....	Pump shaft kit.....		
	11				1139-1347-01	Feder .....	Spring .....		
	12				1139-1324-01	Welle- bypass .....	Shaft- bypass .....		
	13				1139-1189-01	Hebel- bypass .....	Lever- bypass .....		
	14				1139-1161-01	Schließring .....	Ring .....		
	15				1139-1275-01	Propfen.....	Bore plug .....		
	16				1139-1104-01	Schließring .....	Snap ring .....		
	17				1139-1103-01	• Dichtungsscheibe .....	• Seal washer.....	S	
X	18				1139-1500-01	Bolzensatz .....	Drain bolt kit .....		
	21				1139-1295-01	Schraube .....	Tapping screw.....		
	22				1139-0244-01	Schraube .....	Tapping screw.....		
X	24				1139-1502-01	Zentrumgehäuse.....	Center case assy .....		
	25				1139-1158-01	Stift.....	Pin .....		
	26				1139-1405-01	Filter .....	Filter .....	S	
	27				1139-1294-01	Bolzen .....	Bolt .....		
	28				1139-1339-01	Wentil .....	Valve .....		
	29				1139-1338-01	Feder .....	Spring .....		
	30				1139-1346-01	Kugel .....	Ball .....		
	31				1139-1356-01	Zylinderblock kpl .....	Cylinder block assy .....		
	32				1139-1245-01	Feder .....	Spring .....		
	33				1139-1406-01	• Pumpachse.....	• Pump shaft.....		
	34				1139-1146-01	• Schließring .....	• Ring .....		
	35				1139-1110-01	• Kugellager.....	• Ball bearing .....		
X	36				1139-1157-01	Gehäuse.....	Housing .....		
	37				1139-1501-01	Lager .....	Bearing.....		
	38				1139-1139-01	Zylinderblock Kpl.....	Cylinder block assy .....		
	39				1139-1160-01	Scheibe.....	Washer.....		
	40				1139-1353-01	Motorachse .....	Motor shaft .....		
	41				1139-1021-01	Schließring .....	Snap ring .....		
	42				1139-1272-01	Motorzahnrad .....	Motor gear .....		
	43				1139-1453-01	Lager .....	Bearing.....		
	44				1139-1066-01	Druckplatte .....	Metal thrust.....		
	45				1139-1475-01	Spritzerplatte kpl.....	Swash plate assy .....		
	46				1139-1362-01	Lager .....	Bearing.....		
	49				1139-1354-01	Regulierachse.....	Control shaft .....		
	50				1139-1410-01	Exenter .....	Fulcrum.....		
	51				1139-1312-01	Feder .....	Spring .....		
	52				1139-1409-01	Reglerarm.....	Control arm .....		
	53				1139-1325-01	Kontrollhebel .....	Control lever .....		
	54				1139-1408-01	Rückplatte .....	Jerky plate.....		
	55				1139-1102-01	Scheibe.....	Washer.....		
	56				1139-1355-01	Splint.....	Cotter pin .....		
	57				1139-1329-01	Stift.....	Pin .....		
	58				1139-1285-01	Stift.....	Pin .....		
	60				1139-1127-01	Mutter .....	Nut .....		
	61				1139-1404-01	Diff.ritzel kpl .....	Differential gear kit.....		
	62				1139-1258-01	Enderitzel.....	Final gear .....		
	63				1139-1255-01	Hülse .....	Collar .....		
	64				1139-1256-01	Reduktionsachse .....	Reduction shaft.....		
	65				1139-1398-01	Scheibe.....	Washer.....		
	66				1139-1267-01	Reduktionsritzel.....	Reduction gear.....		
	67				1139-1361-01	Enderitzel.....	Final pinion .....		
	68				1139-1342-01	Radachse- links .....	Axle shaft- left .....		
	69				1139-1343-01	Radachse- rechts .....	Axle shaft- right.....		
	70				1139-1078-01	Druckscheibe.....	Thrust washer .....		
	71				1139-1163-01	Schließring .....	Ring .....		
	72				1139-1080-01	Dichtring.....	Seal .....	S	



Ausgabe Issue		Bild Nr Picture No		KANZAKI GETRIEBE K46AG (s/n 0030153- 9999999)		KANZAKI TRANSAXLE K46AG (s/n 0030153- 9999999)		Seite Page 140	
Pos. Fig.	Anzahl/Quantity				Artikel Nr. Part No	Bezeichnung	Description	Satz Kit	Anmerkung Notes
	K46 AG								
73	2				1139-1164-01	Buchse.....	Bushing.....		
74	2				1139-1414-01	• Buchse.....	• Bushing.....		
75	1				1139-1260-01	Bremsschuhe.....	Brake shoe.....		
76	1				1139-1261-01	Bremshebel.....	Brake arm.....		
77	1				1139-1320-01	Bremsachse.....	Brake shaft.....		
78	1				1139-1411-01	Feder.....	Return spring.....		
79	1				1139-1264-01	Bremsdrucker.....	Brake actuator.....		
80	1				1139-1282-01	Stift.....	Pin.....		
82	2				1139-1281-01	Stift.....	Pin.....		
84	1				1139-1484-01	Riemenscheibe.....	Belt pulley.....		
85	1				1134-4190-01	Gebälse.....	Fan.....		
86	1				1139-1266-01	Schloßscheibe.....	Lock washer.....		
87	1				1139-1149-01	Schließring.....	Snap ring.....		
90	1				1139-1280-01	Stift.....	Pin.....		
95	1				1139-1279-01	Stift.....	Pin.....		
99	1				1139-1443-01	Dichtungsmittel.....	Sealant.....	S	
200	1				1139-1403-01	Dichtungssatz.....	Seal kit.....		Marked S
201	1				1139-1486-01	Reparationsatz.....	Repair kit.....		



1 K46G Transmission

200 K46G Seal Kit

Kit Includes

#17	#72
#19	#81
#20	#91
#26	#99
#59	

All parts may not be used.

201 K46G Repair Kit

Kit Includes

#24	#38
#31	
#200 - Seal Kit	

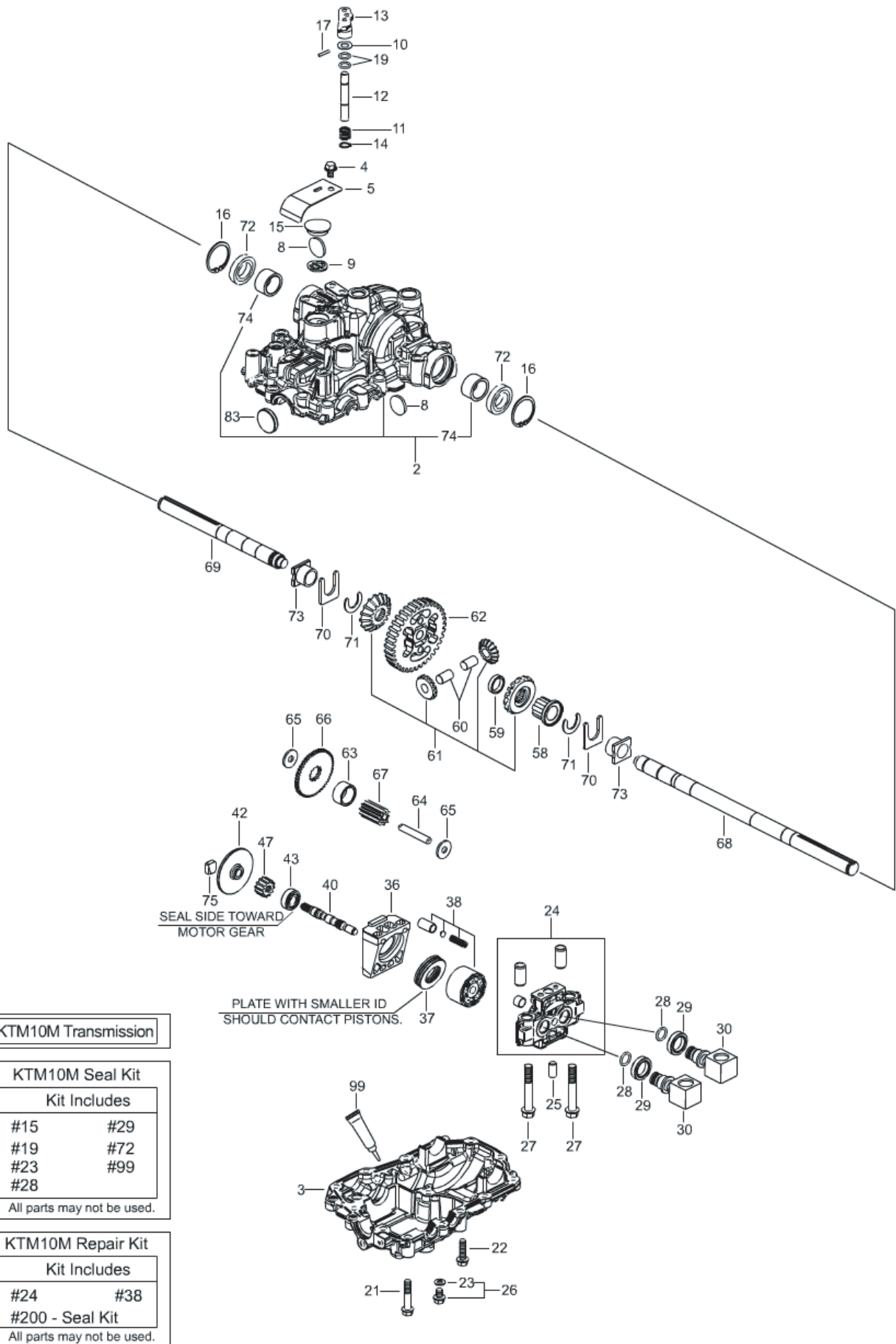
All parts may not be used.

Ausgabe Issue 2008-31		Bild Nr Picture No C162A		KANZAKI GETRIEBE K46G (s/n 0042627- 9999999)		KANZAKI TRANSAXLE K46G (s/n 0042627- 9999999)		Seite Page 142	
Pos. Fig.	Anzahl/Quantity				Artikel Nr. Part No	Bezeichnung	Description	Satz Kit	Anmerkung Notes
	K46G								
X 1	1			1134-4848-01	Getriebe kpl .....	Transaxle assy.....		Kanzaki K46G	
2	1			1139-1470-01	Gehäuse- obere.....	Housing- upper .....			
3	1			1139-1402-01	Gehäuse- untere.....	Case- lower .....			
5	1			1139-1301-01	Rohr .....	Tube .....			
6	2			1139-1336-01	Schlauchklemme .....	Hose clamp .....			
8	2			1139-1150-01	Magnet .....	Magnet.....			
9	1			1139-1341-01	Halter- Magnet .....	Holder- magnet .....			
10	1			1139-1511-01	Pumpenachse kpl .....	Pump shaft kit.....			
11	1			1139-1347-01	Feder .....	Spring .....			
12	1			1139-1251-01	Achse by- pass .....	Shaft- bypass .....			
13	1			1139-1189-01	Hebel- bypass .....	Lever- bypass.....			
14	1			1139-1161-01	Schließring .....	Ring .....			
15	1			1139-1275-01	Propfen.....	Bore plug .....			
16	1			1139-1104-01	• Schließring .....	• Snap ring .....			
17	2			1139-1103-01	• Dichtungsscheibe .....	• Seal washer.....	S		
X 18	2			1139-1500-01	Bolzensatz .....	Drain bolt kit .....			
21	2			1139-1295-01	Schraube .....	Tapping screw.....			
22	14			1139-0244-01	Schraube .....	Tapping screw.....			
X 24	1			1139-1502-01	Zentrumgehäuse.....	Center case assy .....			
25	1			1139-1158-01	Stift.....	Pin .....			
26	1			1139-1405-01	Filter .....	Filter .....	S		
27	3			1139-1294-01	Bolzen.....	Bolt .....			
28	2			1139-1339-01	Wentil .....	Valve .....			
29	2			1139-1338-01	Feder .....	Spring .....			
30	2			1139-1346-01	Kugel .....	Ball.....			
31	1			1139-1356-01	Zylinderblock kpl .....	Cylinder block assy .....			
32	1			1139-1245-01	Feder .....	Spring .....			
33	1			1139-1246-01	• Pumpenwelle .....	• Pump shaft.....			
34	3			1139-1146-01	• Schließring .....	• Ring .....			
35	1			1139-1110-01	• Kugellager.....	• Ball bearing .....			
X 36	1			1139-1157-01	Gehäuse.....	Housing .....			
37	1			1139-1501-01	Lager .....	Bearing.....			
38	1			1139-1139-01	Zylinderblock Kpl.....	Cylinder block assy .....			
39	1			1139-1160-01	Scheibe.....	Washer.....			
40	1			1139-1353-01	Motorachse .....	Motor shaft .....			
41	1			1139-1021-01	Schließring .....	Snap ring .....			
42	1			1139-1272-01	Motorzahnrad .....	Motor gear .....			
43	1			1139-1453-01	Lager .....	Bearing.....			
44	2			1139-1066-01	Druckplatte .....	Metal thrust.....			
45	1			1139-1475-01	Spritzerplatte kpl.....	Swash plate assy .....			
46	1			1139-1362-01	Lager .....	Bearing.....			
49	1			1139-1354-01	Regulierachse.....	Control shaft .....			
50	1			1139-1316-01	Drehzentrum.....	Fulcrum.....			
51	1			1139-1312-01	Feder .....	Spring .....			
52	1			1139-1409-01	Reglerarm.....	Control arm.....			
53	1			1139-1325-01	Kontrollhebel .....	Control lever .....			
54	1			1139-1408-01	Rückplatte .....	Jerky plate.....			
55	1			1139-1102-01	Scheibe.....	Washer.....			
56	1			1139-1355-01	Splint.....	Cotter pin .....			
57	1			1139-1329-01	Stift.....	Pin .....			
58	1			1139-1285-01	Stift.....	Pin .....			
60	1			1139-1127-01	Mutter .....	Nut .....			
61	1			1139-1404-01	Diff.ritzel kpl .....	Differential gear kit.....			
62	1			1139-1258-01	Enderitzel.....	Final gear .....			
63	1			1139-1255-01	Hülse .....	Collar .....			
64	1			1139-1256-01	Reduktionsachse .....	Reduction shaft.....			
65	2			1139-1398-01	Scheibe.....	Washer.....			
66	1			1139-1267-01	Reduktionsritzel.....	Reduction gear.....			
67	1			1139-1361-01	Enderitzel.....	Final pinion .....			
68	1			1139-1344-01	Radachse- links .....	Axle shaft- left .....			
69	1			1139-1345-01	Radachse- rechts .....	Axle shaft- right.....			
70	2			1139-1078-01	Druckscheibe.....	Thrust washer .....			
71	2			1139-1163-01	Schließring .....	Ring .....			





Ausgabe Issue 2008-31		Bild Nr Picture No C162A		KANZAKI GETRIEBE K46G (s/n 0042627-9999999)		KANZAKI TRANSAXLE K46G (s/n 0042627-9999999)		Seite Page 144	
Pos. Fig.	Anzahl/Quantity				Artikel Nr. Part No	Bezeichnung	Description	Satz Kit	Anmerkung Notes
	K46G								
72	2				1139-1080-01	Dichtring.....	Seal .....	S	Marked S
73	2				1139-1164-01	Buchse.....	Bushing.....		
74	2				1139-1414-01	• Buchse.....	• Bushing.....		
75	1				1139-1260-01	Bremsschuhe.....	Brake shoe .....		
76	1				1139-1261-01	Bremshebel .....	Brake arm .....		
77	1				1139-1320-01	Bremsachse.....	Brake shaft.....		
78	1				1139-1411-01	Feder .....	Return spring .....		
79	1				1139-1264-01	Bremsdrucker.....	Brake actuator.....		
80	1				1139-1282-01	Stift.....	Pin .....		
82	2				1139-1281-01	Stift.....	Pin .....		
83	1				1139-1248-01	Hülse .....	Spline collar .....		
84	1				1139-1469-01	Riemenscheibe .....	Pulley .....		
85	1				1134-4190-01	Gebälse.....	Fan .....		
86	1				1139-1266-01	Schloßscheibe .....	Lock washer.....		
87	1				1139-1149-01	Schließring .....	Snap ring .....		
90	1				1139-1280-01	Stift.....	Pin .....		
95	1				1139-1279-01	Stift.....	Pin .....		
98	1				1139-1306-01	Adapter.....	Adapter .....		
99	1				1139-1443-01	Dichtungsmittel .....	Sealant .....		
102	1				1139-1276-01	Scheibe.....	Collar .....		
200	1				1139-1403-01	Dichtungssatz.....	Seal kit .....		
201	1				1139-1486-01	Reparationsatz.....	Repair kit.....		



1- **KTM10M Transmission**

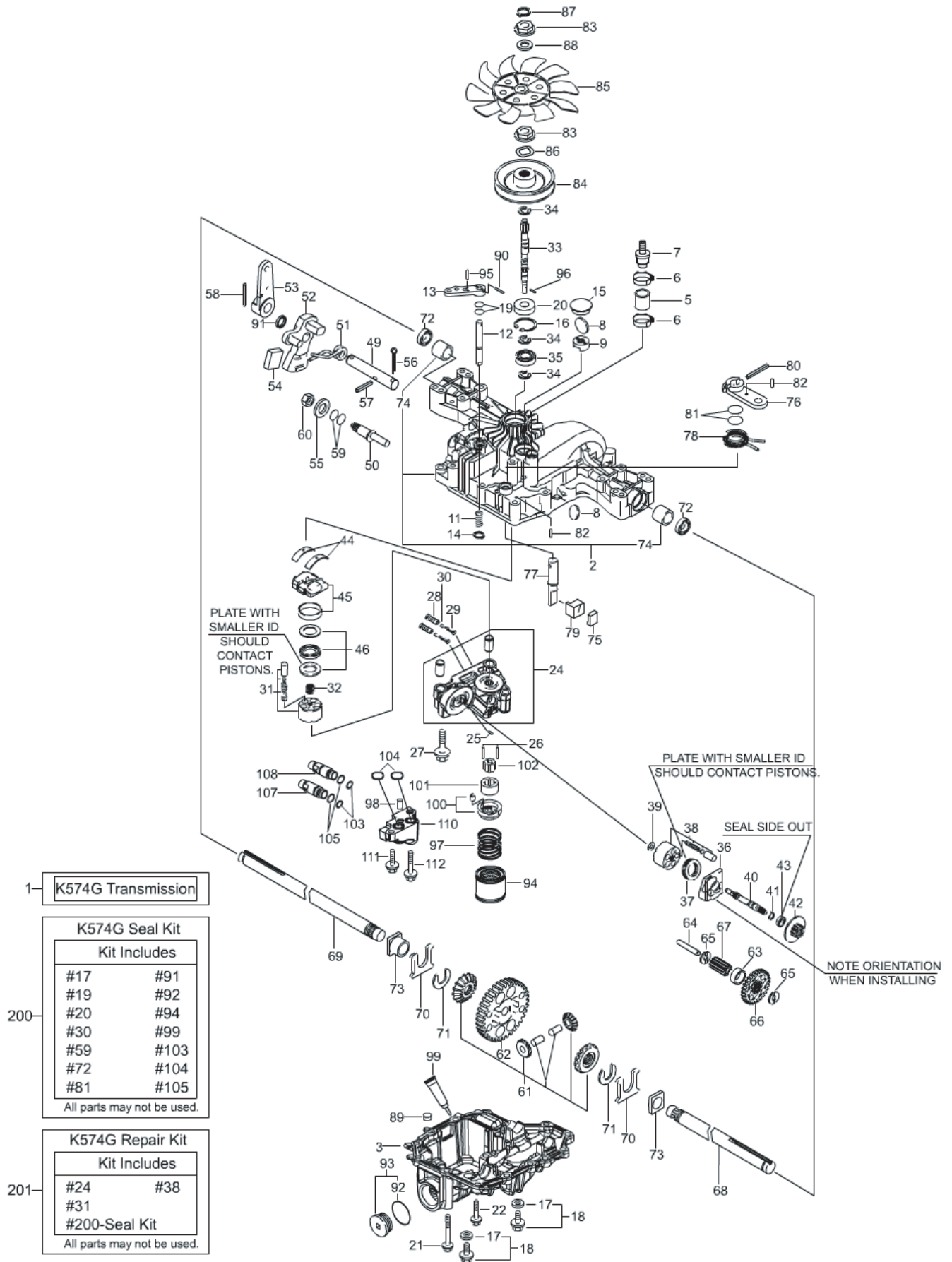
KTM10M Seal Kit	
Kit Includes	
#15	#29
#19	#72
#23	#99
#28	
All parts may not be used.	

200-

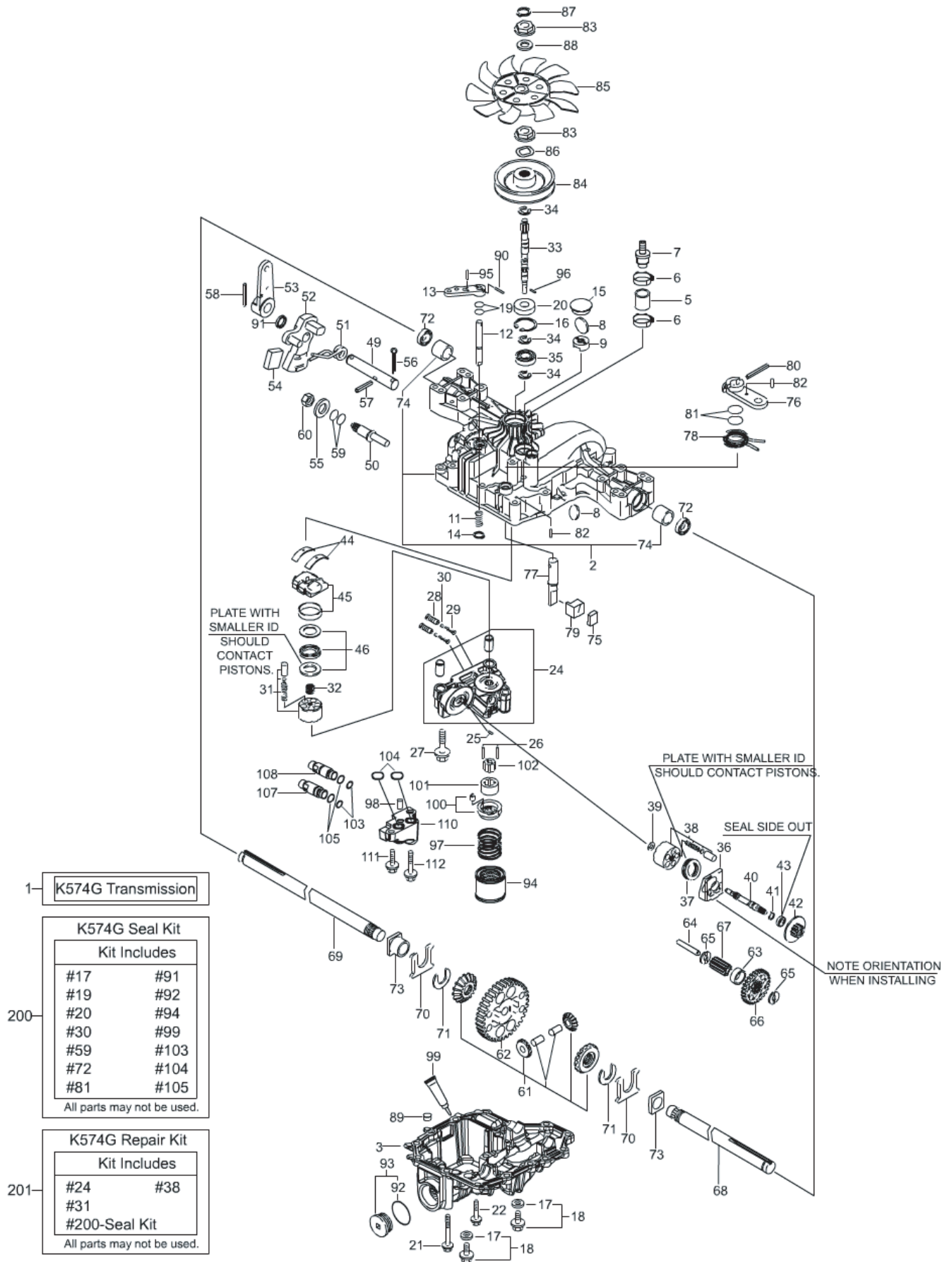
KTM10M Repair Kit	
Kit Includes	
#24	#38
#200 - Seal Kit	
All parts may not be used.	

201-

Ausgabe Issue 2008-31		Bild Nr Picture No C164		KANZAKI GETRIEBE KTM 10M		KANZAKI TRANSAXLE KTM 10M		Seite Page 146	
Pos. Fig.	Anzahl/Quantity				Artikel Nr. Part No	Bezeichnung	Description	Satz Kit	Anmerkung Notes
	KTM 10M								
1	1				1134-6029-01	Motorachse- vorne.....	Transaxle- front .....		Kanzaki KTM 10M Pos 74 incl.
2	1				1139-1417-01	Gehäuse- obere.....	Housing- upper .....		
3	1				1139-1418-01	Gehäuse- untere.....	Housing- lower .....		
4	1				1139-1123-01	Bolzen.....	Bolt .....		
5	1				1139-1384-01	Gleitplatte .....	Skid plate .....		
8	2				1139-1150-01	Magnet .....	Magnet.....		
9	1				1139-1341-01	Halter- Magnet.....	Holder- magnet .....		
10	1				1139-1388-01	Scheibe.....	Washer.....		
11	1				1139-1421-01	Feder .....	Spring .....		
12	1				1139-1420-01	Achse- bypass .....	By- pass shaft .....		
13	1				1139-1189-01	Hebel- bypass .....	Lever- bypass.....		
14	1				1139-1391-01	Schließring .....	Ring .....		
15	1				1139-1397-01	Dichtkappe.....	Sealing cap .....		
16	2				1139-1444-01	Schließring .....	Ring .....		
17	1				1139-1280-01	Stift.....	Pin .....		
19	2				1139-1114-01	O- ring .....	O- ring .....		
21	3				1139-1291-01	Bolzen.....	Bolt .....		
22	11				1139-1448-01	Bolzen.....	Bolt .....		
23	1				1139-1103-01	Dichtungsscheibe.....	Seal washer.....		
24	1				1139-1419-01	Zentrumgehäuse Kpl.....	Center case assy .....		
25	1				1139-1445-01	Zapfen .....	Pin .....		
27	2				1139-1449-01	Bolzen.....	Bolt .....		
28	2				1139-1446-01	Dichtung.....	Packing .....		
29	2				1139-1447-01	Dichtring.....	Seal .....		
30	2				1139-1424-01	Anschluß .....	Connector .....		
36	1				1139-1422-01	Gehäuse.....	Housing .....		
37	1				1139-1438-01	Lager.....	Bearing.....		
38	1				1139-1139-01	Zylinderblock Kpl.....	Cylinder block assy .....		
40	1				1139-1425-01	Motorachse .....	Motor shaft .....		
42	1				1139-1451-01	Bremsscheibe.....	Brake disc .....		
43	1				1139-1453-01	Lager .....	Bearing.....		
47	1				1139-1426-01	Motorritzel.....	Motor gear .....		
58	1				1139-1330-01	Hülse .....	Collar .....		
59	1				1139-1435-01	Hülse .....	Collar .....		
60	1				1139-1440-01	Achse.....	Pin .....		
61	1				1139-1439-01	Differentialritzel .....	Differential gear kit.....		
62	1				1139-1429-01	Ritzel .....	Final gear .....		
63	1				1139-1427-01	Hülse .....	Collar .....		
64	1				1139-1256-01	Reduktionsachse .....	Reduction shaft.....		
65	2				1139-1398-01	Scheibe.....	Washer.....		
66	1				1139-1430-01	Reduktionsritzel.....	Reduction gear.....		
67	1				1139-1361-01	Enderitzel.....	Final pinion .....		
68	1				1139-1432-01	Radachse.....	Axle .....		
69	1				1139-1431-01	Radachse.....	Axle.....		
70	2				1139-1194-01	Druckscheibe.....	Thrust washer .....		
71	2				1139-1155-01	Schließring .....	Ring .....		
72	2				1139-1044-01	Dichtung .....	Seal .....		
73	2				1139-1156-01	Buchse.....	Bushing.....		
74	2				1139-1415-01	• Buchse.....	• Bushing.....		
75	1				1139-1260-01	Bremsschuhe.....	Brake shoe .....		
83	1				1139-1450-01	Dichtung.....	Sealing cap .....		
99	1				1139-1443-01	Dichtungsmittel .....	Sealant .....		
200	1				1139-1436-01	Servicesatz .....	Seal kit .....		







Ausgabe Issue 2008-31		Bild Nr Picture No C163		KANZAKI GETRIEBE K574G		KANZAKI TRANSAXLE K574G		Seite Page 150	
Pos. Fig.	Anzahl/Quantity				Artikel Nr. Part No	Bezeichnung	Description	Satz Kit	Anmerkung Notes
	574G								
71	2				1139-1163-01	Schließring .....	Ring .....		
72	2				1139-1080-01	Dichtring.....	Seal .....		
73	2				1139-1164-01	Buchse.....	Bushing.....		
74	2				1139-1414-01	• Buchse.....	• Bushing.....		
75	1				1139-1260-01	Bremsschuhe.....	Brake shoe .....		
76	1				1139-1261-01	Bremshebel .....	Brake arm .....		
77	1				1139-1320-01	Bremsachse.....	Brake shaft.....		
78	1				1139-1411-01	Feder .....	Return spring .....		
79	1				1139-1264-01	Bremsdrucker.....	Brake actuator.....		
80	1				1139-1282-01	Stift.....	Pin .....		
82	2				1139-1281-01	Stift.....	Pin .....		
83	2				1139-1248-01	Hülse .....	Spline collar .....		
84	1				1139-1469-01	Riemenscheibe .....	Pulley .....		
85	1				1134-4190-01	Gebälse.....	Fan .....		
86	1				1139-1266-01	Schloßscheibe .....	Lock washer.....		
87	1				1139-1149-01	Schließring .....	Snap ring .....		
88	1				1139-1276-01	Scheibe.....	Collar .....		
89	4				1139-1166-01	Zapfen .....	Pin .....		
90	1				1139-1280-01	Stift.....	Pin .....		
91	1				1139-1303-01	Dichtring.....	Oil seal .....		
92	1				1139-1290-01	• Dichtung .....	• Packing .....		
93	1				1139-1230-01	Deckel.....	Cap.....		Pos 92 incl.
94	1				1139-1488-01	Filter .....	Filter .....		
95	1				1139-1279-01	Stift.....	Pin .....		
96	1				1139-1495-01	Zapfen .....	Pin .....		
97	1				1139-1492-01	Feder .....	Charge spring .....		
98	1				1139-1496-01	Zapfen .....	Parallell pin .....		
99	1				1139-1443-01	Dichtungsmittel .....	Sealant .....		
100	1				1139-1494-01	Pumpengehäuse.....	Pump case kit .....		
101	1				1139-1490-01	Rotor- ausser.....	Rotor- outer .....		
102	1				1139-1489-01	Rotor- innere .....	Rotor- inner .....		
105	2				1139-0239-01	Dichtung .....	Packing .....		
107	1				1139-1459-01	Nippel .....	Piping.....		
108	1				1139-1460-01	Nippel .....	Piping.....		
110	1				1139-1491-01	Pumpengehäuse.....	Charge pump case .....		
111	1				1139-1472-01	Bolzen.....	Bolt .....		
112	1				1139-1455-01	Schraube .....	Tapping screw.....		
113	1				1139-1471-01	Bolzen.....	Bolt .....		
200	1				1139-1481-01	Dichtungssatz.....	Seal kit .....		