



Green Passion

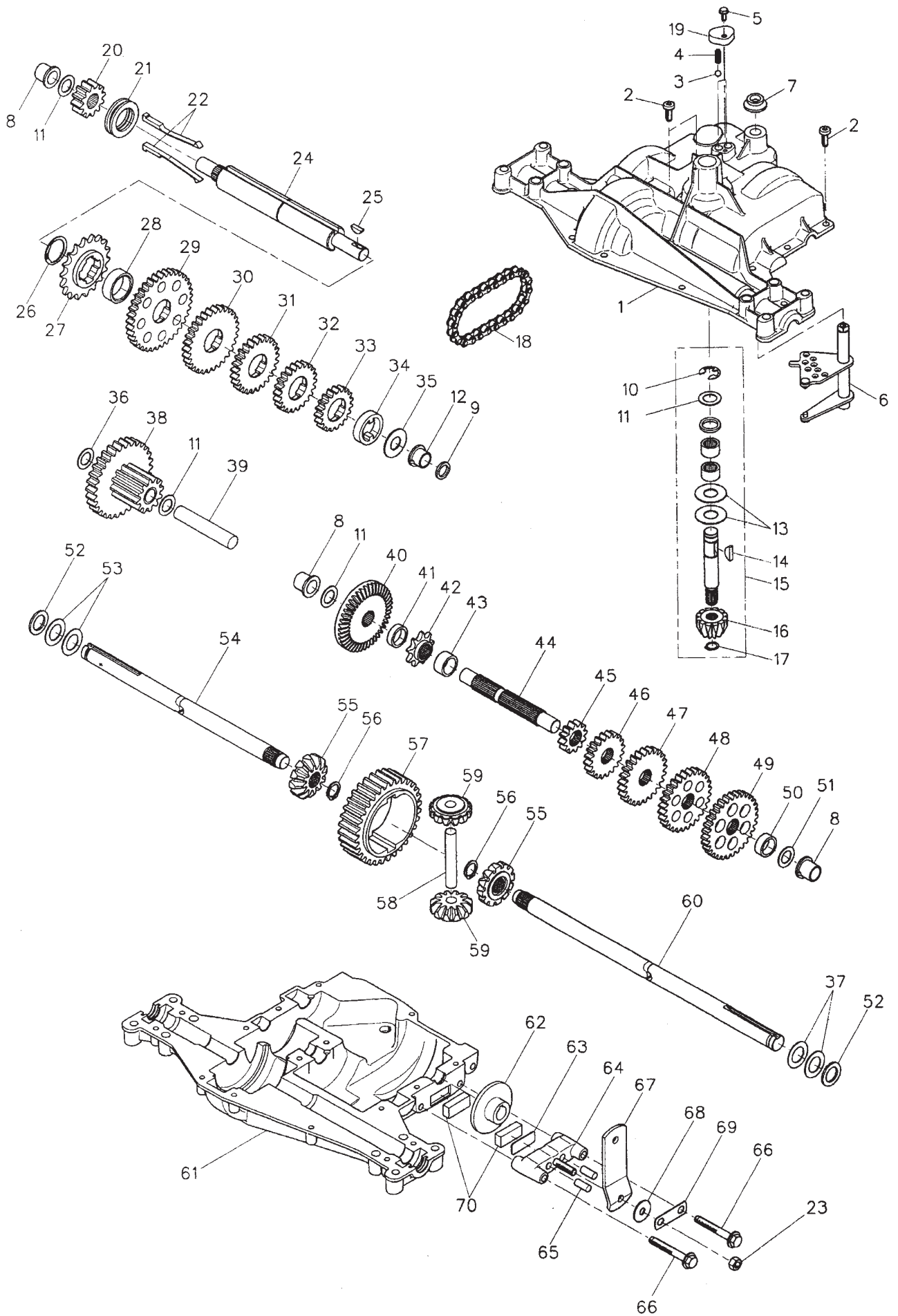
Illustrated Parts List

**Transmissions Dana-Kanzaki
Model Year 2007**

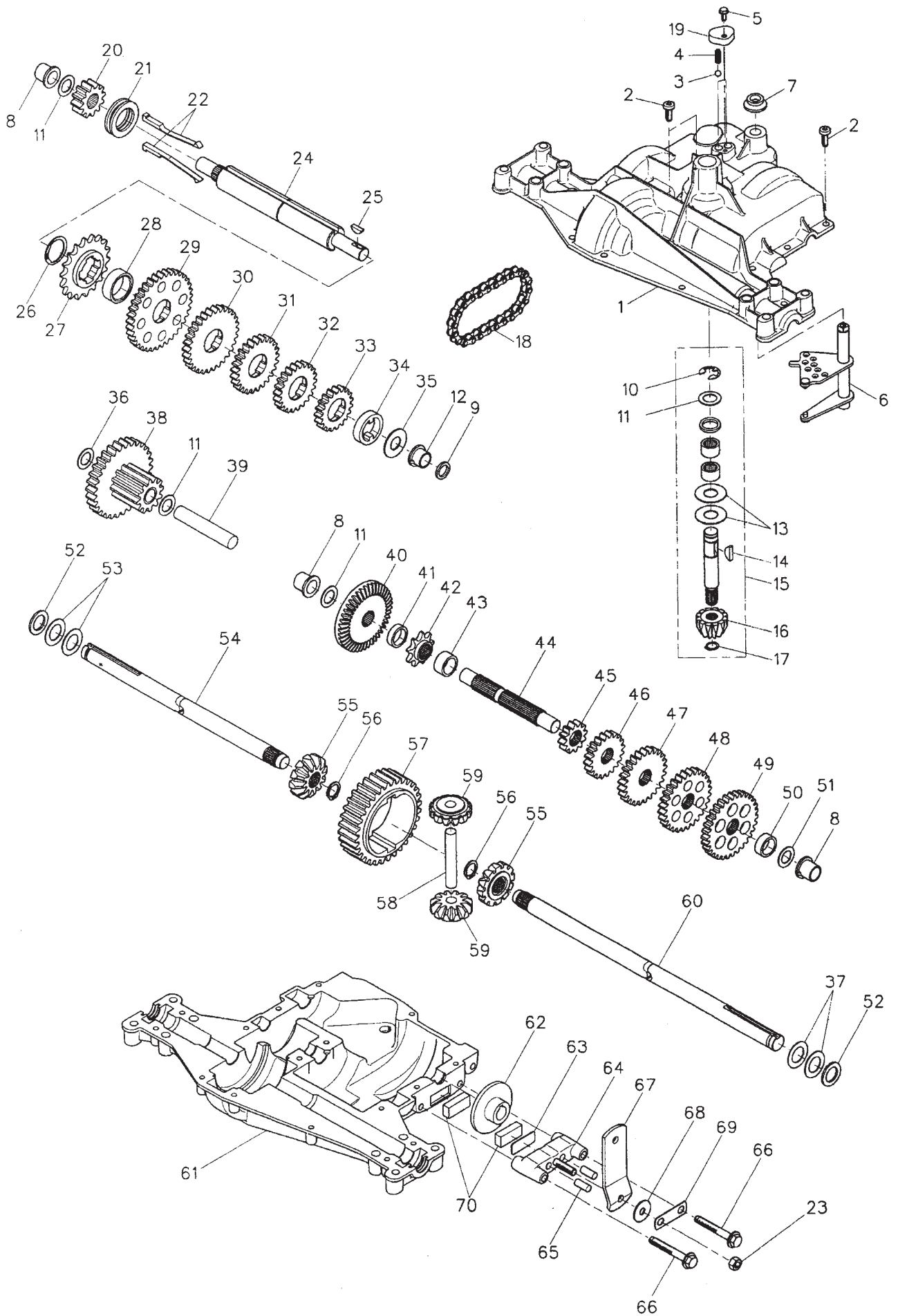
- Use GLOBAL GARDEN PRODUCT Genuine Spare Parts specified in the parts list for repair and/or replacement.
- The contents described in the parts list may change due to improvement.
- The drawings of the spare parts are only indicative and might not represent the part in question exactly.
- The indications "right" - "left" - "front" - "rear" refer to the position of the operator when using the machine.
- When placing orders of parts for repair and/or replacement, make sure that the illustrated parts list is the one applying to the machine's year of manufacture, as shown on the identification plate attached to the machine.

COPYRIGHT by GLOBAL GARDEN PRODUCTS

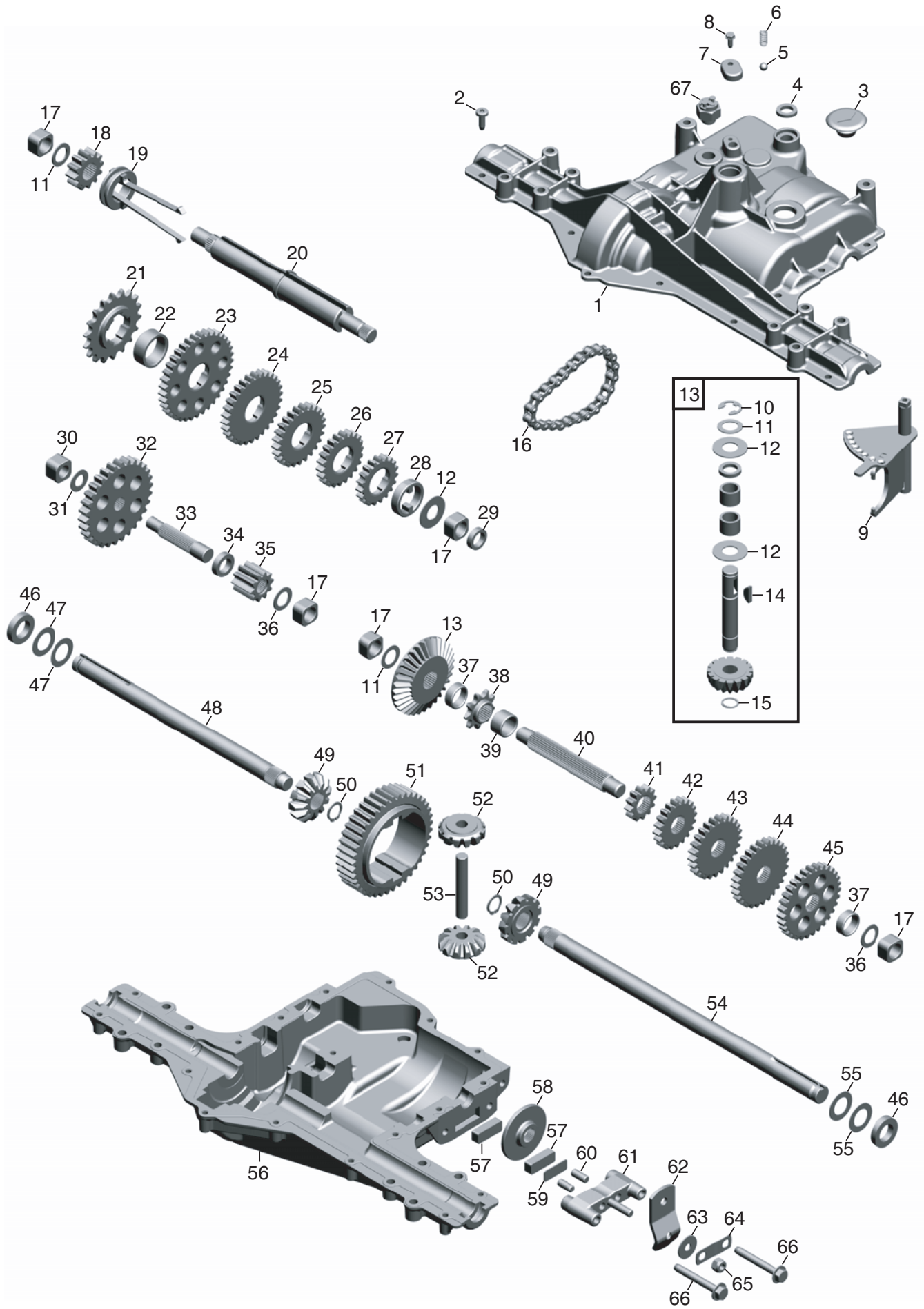
All rights reserved. No part of this material may be reproduced or transmitted, in any form or by any means, electronic or mechanical, including photocopying, recording or by any information storage and retrieval system, without permission in writing from GLOBAL GARDEN PRODUCTS.



Ausgabe Issue 2007- 32		Bild Nr Picture No C092		DANA GETRIEBE 4360- 197		DANA TRANSAXLE 4360- 197		Seite Page 104	
Pos. Fig.	Anzahl/Quantity				Artikel Nr. Part No	Bezeichnung	Description	Satz Kit	Anmerkung Notes
	4360 -197								
0	1			1134-5281-01	Getriebe Kpl.....	Transaxle assy.....			
1	1			F000-7033-00	Gehäuse- obere.....	Housing- upper			
2	16			F000-1919-00	Schraube	Screw.....			
3	2			F000-5947-00	Kugel	Ball.....			
4	2			F000-5948-00	Feder	Spring			
5	1			F084-0052-00	Schraube	Screw.....			
6	1			F000-6517-00	Shalthebel.....	Shifter kit			
7	1			F000-7010-00	Hülse	V- ring			
8	3			F000-5510-00	Flanschlagler	Flange bearing.....			
9	1			F000-5508-00	Dichtring.....	Oil seal			
10	1			F000-1106-00	• Schließring	• Retaining ring.....			
11	4			F000-4689-00	• Satz- Scheiben	• Kit- shim.....			
12	1			F000-5511-00	Flanschlagler	Flange bearing.....			
13	2			F000-3876-00	• Scheibe.....	• Washer.....			
14	1			F000-1746-00	• Keil	• Key			
15	1			F000-6205-00	Eingangswelle kpl.....	Input shaft assy			
16	1			F000-5620-00	• Ritzel.....	• Bevel pinion		12T	
17	1			F000-3624-00	• Schließring	• Retaining ring.....			
18	1			F000-3625-00	Kette	Chain.....		24 link	
19	1			F000-5950-00	Deckel.....	Cover			
20	1			F000-5627-00	Zahnrad	Gear		12T	
21	1			F000-5303-00	Hülse	Shifter boot.....			
22	1			F000-4758-00	Satz- Keil.....	Kit- clutch keys.....			
23	1			F000-3847-00	Gegenmutter.....	Lock nut.....			
24	1			F000-5737-00	Achse.....	Intermediate shaft			
25	1			F000-1375-00	Schalteisen	Woodruff key			
26	1			F000-3627-00	Schließring	Retaining ring			
27	1			F000-3830-00	Kettenrad	Sprocket.....		18T	
28	1			F000-3841-00	Distanz.....	Spacer.....			
29	1			F000-5365-00	Zahnrad	Gear, spur		37T	
30	1			F000-3867-00	Zahnrad	Gear, spur		30T	
31	1			F000-3783-00	Zahnrad	Gear, spur		25T	
32	1			F000-3869-00	Zahnrad	Gear, spur		22T	
33	1			F000-5202-00	Zahnrad	Gear, spur		19T	
34	1			F000-5027-00	Distanz.....	Spacer.....			
35	1			F000-3628-00	Scheibe.....	Washer.....			
36	1			F000-1425-00	Scheibe.....	Washer.....			
37	1			F000-4691-00	Satz- Scheiben	Kit- shim.....			
38	1			F000-6358-00	Zahnrad	Gear comb.		12T+30T	
39	1			F000-3967-00	Achse.....	Idler shaft.....			
40	1			F000-7003-00	Zahnrad	Bevel gear		36T	
41	1			F000-3630-00	Distanz.....	Spacer.....			
42	1			F000-3645-00	Kettenrad	Sprocket.....		9T	
43	1			F000-5016-00	Distanz.....	Spacer.....			
44	1			F000-5015-00	Achse.....	Drive shaft.....			
45	1			F000-5364-00	Zahnrad	Gear, spur		12T	
46	1			F000-3866-00	Zahnrad	Gear, spur		20T	
47	1			F000-3719-00	Zahnrad	Gear, spur		25T	
48	1			F000-3868-00	Zahnrad	Gear, spur		28T	
49	1			F000-3683-00	Zahnrad	Gear, spur		31T	
50	1			F000-3714-00	Distanz.....	Spacer.....			
51	1			F000-1145-00	Scheibe.....	Washer.....			
52	2			F000-5130-00	Dichtung.....	Seal.....			
53	2			F000-3184-00	Scheibe.....	Washer.....			
54	1			F000-7031-10	Radachse- links	Wheel axle- LH			
55	2			F000-5622-00	Zahnrad	Miter gear		12T	
56	2			F000-5270-00	Schließring	Retaining ring			
57	1			F000-3839-00	Zahnrad	Gear, spur		32T	
58	1			F000-3919-00	Achse.....	Cross shaft.....			
59	2			F000-5623-00	Zahnrad	Miter gear		12T	
60	1			F000-7031-20	Radachse- rechts	Wheel axle- RH			
61	1			F000-5304-M0	Gehäuse- untere.....	Housing- lower.....			
62	1			F000-5960-00	Bremsscheibe.....	Brake disc			

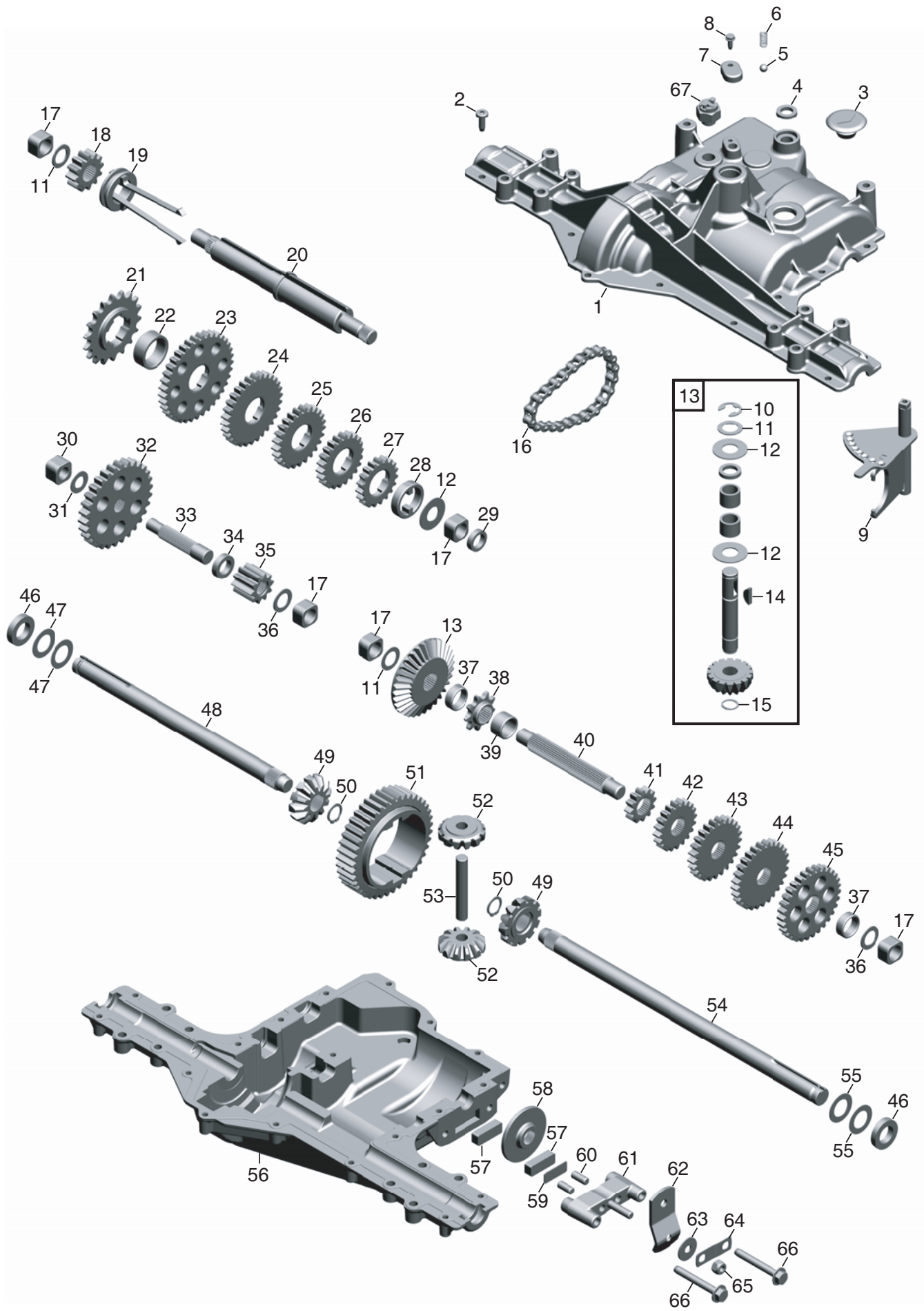


Ausgabe Issue 2007-32		Bild Nr Picture No C092		DANA GETRIEBE 4360-197		DANA TRANSAXLE 4360-197		Seite Page 106	
Pos. Fig.	Anzahl/Quantity				Artikel Nr. Part No	Bezeichnung	Description	Satz Kit	Anmerkung Notes
	4360 -197								
63	1				F000-3758-00	Distanz.....	Spacer.....		Not ill.
64	1				F000-5554-00	Bremshalter	Brake jaw		
65	2				F000-3843-00	Sperrstift	Dowel pin		
66	2				F000-5562-00	Schraube	Screw.....		
67	1				F000-7032-00	Bremsarm.....	Actuating lever		
68	1				F000-3760-00	Scheibe.....	Washer.....		
69	1				F000-5555-00	Scheibe.....	Bracket.....		
70	2				F000-3907-00	Friktionsbelage	Friction puck		
98					F000-4300-00	Schmierfett.....	Grease.....		



C161

Ausgabe Issue		Bild Nr Picture No		DANA GETRIEBE		DANA TRANSAXLE		Seite Page
2007- 32		C161		6800- 7 6800- 8		6800- 7 6800- 8		108
Pos. Fig.	Anzahl/Quantity			Artikel Nr. Part No	Bezeichnung	Description	Satz Kit	Anmerkung Notes
	6800 -7	6800 -8						
X	0	1		1134-6338-01	Getriebe Kpl.....	Transaxle assy.....		Dana 6800- 7
X	0		1	1134-6349-01	Getriebe Kpl.....	Transaxle assy.....		Dana 6800- 8
X	1	1		F000-6768-00	Gehäuse- obere.....	Housing- upper assy.....		Pos 4, 7- 8 incl.
X	1		1	F000-6769-00	Gehäuse- obere.....	Housing- upper assy.....		Pos 4, 7- 8 incl.
X	2	18	18	F000-1919-00	Schraube.....	Screw.....		
X	3	1	1	F004-1356-00	Gummipropfen.....	Rubber plug.....		
X	4	1	1	F000-7089-00	• Dichttring.....	• Oil seal.....		
X	5	1	1	F000-5947-00	Kugel.....	Ball.....		
X	6	1	1	F000-5948-00	Feder.....	Spring.....		
X	7	1	1	F000-7101-00	• Deckel.....	• Detent cover.....		
X	8	1	1	F084-0052-00	• Schraube.....	• Screw.....		
X	9	1	1	F000-6670-00	Schaltführer.....	Shifter.....		
X	10	1	1	F000-1106-00	• Schließring.....	• Retaining ring.....		
X	11	3	3	F000-4689-00	• Satz- Scheiben.....	• Kit- shim.....		
X	12	3	3	F000-3876-00	• Scheibe.....	• Washer.....		
X	13	1	1	F000-6753-00	Eingangswelle.....	Input shaft assy.....		Pos 10- 12, 14- 15
X	14	1	1	F000-1746-00	• Keil.....	• Key.....		
X	15	1	1	F000-3956-00	• Schließring.....	• Retaining ring.....		
X	16	1	1	F000-3625-00	Kette.....	Chain.....		
X	17	5	5	F000-7091-00	Buchse.....	Bushing.....		
X	18	1	1	F000-7080-00	Zahnrad.....	Spur gear.....		12T
X	19	1	1	F000-6692-00	Schaltheüse.....	Shift collar.....		
X	20	1	1	F000-7086-00	Achse.....	Intermediate shaft.....		
X	21	1	1	F000-3830-00	Kettenrad.....	Sprocket.....		18T
X	22	1	1	F000-7094-00	Distanz.....	Spacer.....		
X	23	1	1	F000-5365-00	Zahnrad.....	Gear, spur.....		37T
X	24	1	1	F000-3867-00	Zahnrad.....	Gear, spur.....		30T
X	25	1	1	F000-3783-00	Zahnrad.....	Gear, spur.....		25T
X	26	1	1	F000-3869-00	Zahnrad.....	Gear, spur.....		22T
X	27	1	1	F000-5202-00	Zahnrad.....	Gear, spur.....		19T
X	28	1	1	F000-5027-00	Distanz.....	Spacer.....		
X	29	1	1	F000-7115-00	Dichttring.....	Oil seal.....		
X	30	1	1	F000-7092-00	Buchse.....	Bushing.....		
X	31	1	1	F000-3890-00	Scheibe.....	Plain washer.....		
X	32	1	1	F000-7079-00	Zahnrad.....	Spur gear.....		30T
X	33	1	1	F000-7083-00	Achse.....	Idler shaft.....		
X	34	1	1	F000-3410-00	Distanz.....	Spacer.....		
X	35	1	1	F000-5180-00	Zahnrad.....	Spur gear.....		10T
X	36	2	2	F000-1425-00	Scheibe.....	Washer.....		
X	37	2	2	F000-3714-00	Distanz.....	Spacer.....		
X	38	1	1	F000-3645-00	Kettenrad.....	Sprocket.....		9T
X	39	1	1	F000-7162-00	Distanz.....	Spacer.....		
X	40	1	1	F000-7084-00	Achse.....	Drive shaft.....		
X	41	1	1	F000-5364-00	Zahnrad.....	Gear, spur.....		12T
X	42	1	1	F000-3866-00	Zahnrad.....	Gear, spur.....		20T
X	43	1	1	F000-3719-00	Zahnrad.....	Gear, spur.....		25T
X	44	1	1	F000-3868-00	Zahnrad.....	Gear, spur.....		28T
X	45	1	1	F000-3683-00	Zahnrad.....	Gear, spur.....		31T
X	46	2	2	F000-7088-00	Dichttring.....	Oil seal.....		
X	47	2	2	F000-3184-00	Scheibe.....	Washer.....		
X	48	1		F000-7165-10	Radachse- L.....	Wheel axle- LH.....		
X	48		1	F000-7166-10	Radachse- L.....	Wheel axle- LH.....		
X	49	2	2	F000-5622-00	Zahnrad.....	Miter gear.....		12T
X	50	2	2	F000-5270-00	Schließring.....	Retaining ring.....		
X	51	1	1	F000-5181-00	Zahnrad.....	Spur gear.....		41T
X	52	2	2	F000-5623-00	Zahnrad.....	Miter gear.....		12T
X	53	1	1	F000-3919-00	Achse.....	Cross shaft.....		
X	54	1		F000-7165-20	Radachse- R.....	Wheel axle- RH.....		
X	54		1	F000-7166-20	Radachse- R.....	Wheel axle- RH.....		
X	55	1	1	F000-4691-00	Satz- Scheiben.....	Kit- shim.....		
X	56	1	1	F000-7071-A0	Gehäuse- untere.....	Housing- lower.....		
X	57	1	1	F000-6754-00	Friktionsbelag- Satz.....	Friction puck kit.....		
X	58	1	1	F000-7103-00	Bremsscheibe.....	Brake disc.....		



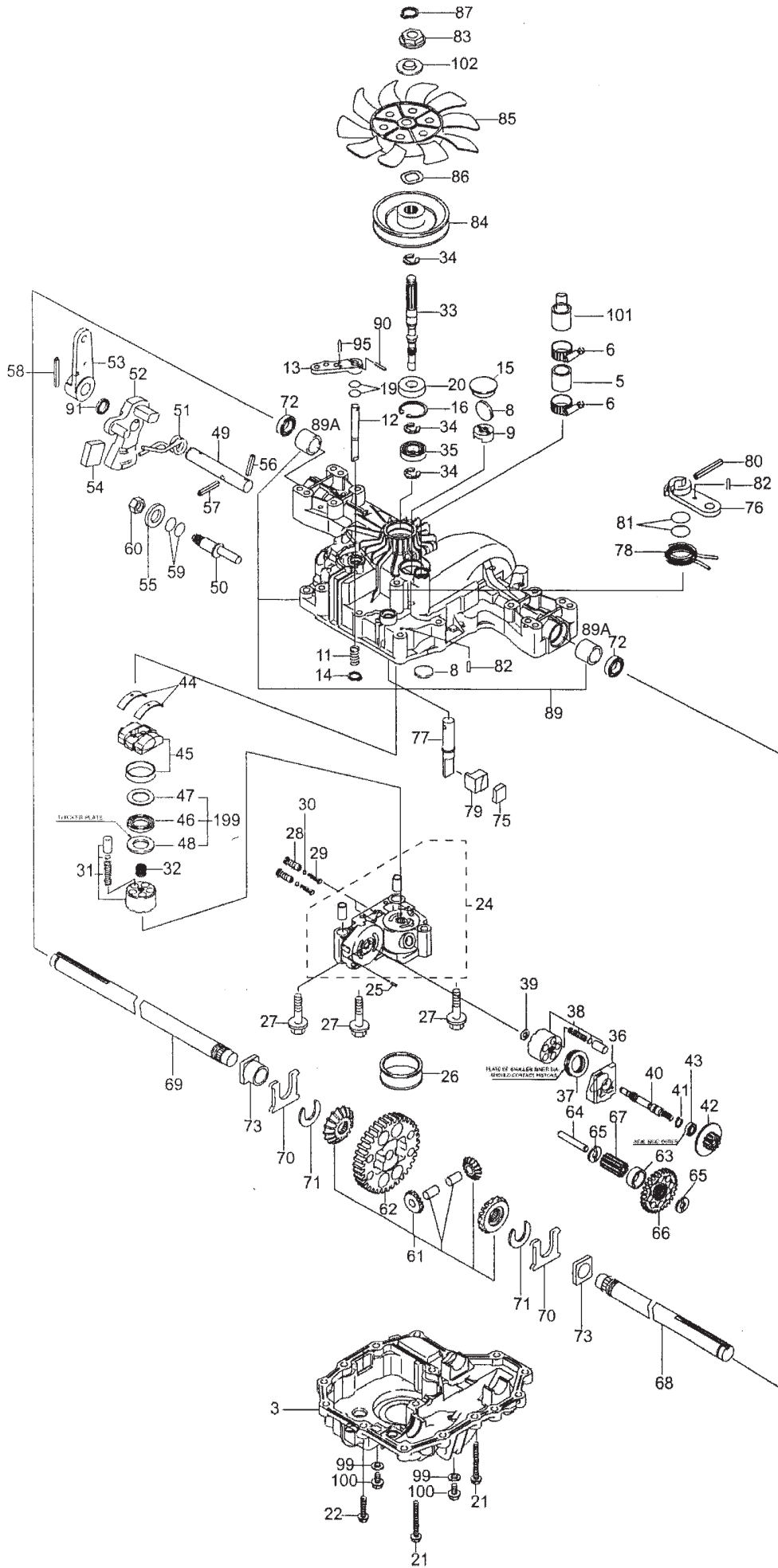
C161

Ausgabe Issue 2007- 32		Bild Nr Picture No C161		DANA GETRIEBE 6800- 7 6800- 8		DANA TRANSAXLE 6800- 7 6800- 8		Seite Page 110	
Pos. Fig.	Anzahl/Quantity			Artikel Nr. Part No	Bezeichnung	Description	Satz Kit	Anmerkung Notes	
	6800 -7	6800 -8							
59	1	1		F000- 3758- 00	Distanz.....	Spacer.....			
60	2	2		F000- 3843- 00	Sperrstift	Dowel pin			
61	1	1		F000- 5554- 00	Bremshalter	Brake jaw			
62		1		F000- 7029- 00	Bremsarm.....	Actuating lever			
62	1			F000- 7032- 00	Bremsarm.....	Actuating lever			
63	1	1		F000- 3760- 00	Scheibe.....	Washer.....			
64	1	1		F000- 5555- 00	Scheibe.....	Bracket.....			
65	1	1		F000- 3847- 00	Gegenmutter.....	Lock nut.....			
66	2	2		F000- 5562- 00	Schraube	Screw.....			
67		1		F000- 7034- 00	Schalter	Switch.....			

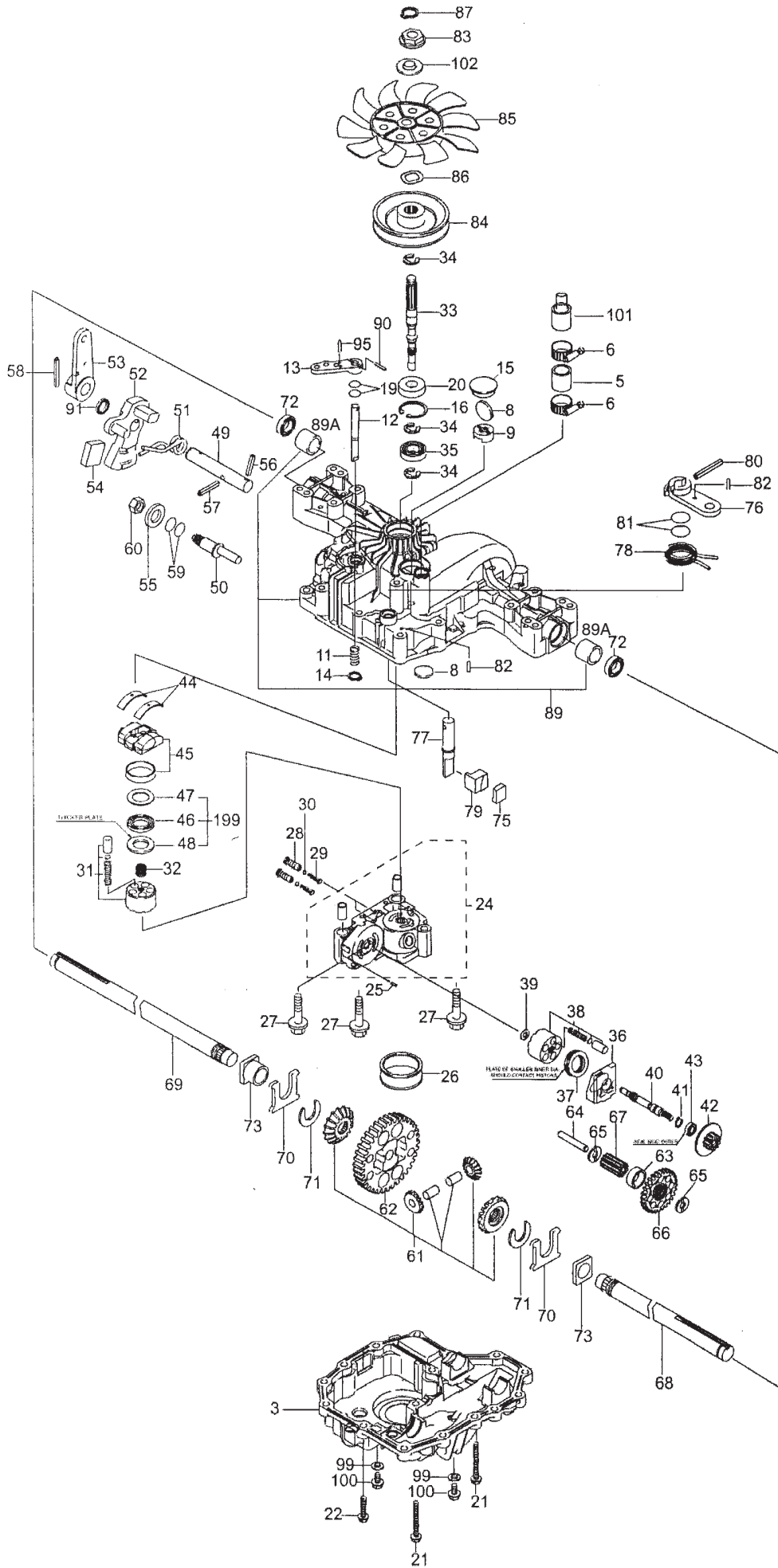
Ausgabe Issue 2007- 32		Bild Nr Picture No C093A		KANZAKI GETRIEBE K46AG		KANZAKI TRANSAXLE K46AG		Seite Page 112	
Pos. Fig.	Anzahl/Quantity				Artikel Nr. Part No	Bezeichnung	Description	Satz Kit	Anmerkung Notes
	K46 AG								
1	1			1134-4846-01	Getriebe kpl	Transaxle assy.....		Kanzaki K46AG	
3	1			1139-1402-01	Gehäuse- untere.....	Case- lower			
7	1			1139-1100-01	Ventil kpl.....	Vent valve assy			
8	2			1139-1150-01	Magnet	Magnet	S		
9	1			1139-1341-01	Halter- Magnet	Holder- magnet			
11	1			1139-1347-01	Feder	Spring			
12	1			1139-1324-01	Welle- bypass	Shaft- bypass			
13	1			1139-1189-01	Hebel- bypass	Lever- bypass			
14	1			1139-1161-01	Schließring	Ring			
15	1			1139-1275-01	Propfen.....	Bore plug			
16	1			1139-1104-01	Schließring	Snap ring			
19	2			1139-1117-01	O- ring	O- ring	S		
20	1			1139-1119-01	Dichtung.....	Seal	S		
21	2			1139-1295-01	Schraube	Tapping screw.....			
22	14			1139-0244-01	Schraube	Tapping screw.....			
24	1			1139-1340-01	Zentrumgehäuse kpl.....	Center case assy			
25	1			1139-1158-01	Stift.....	Pin			
26	1			1139-1405-01	Filter	Filter	S		
27	3			1139-1294-01	Bolzen.....	Bolt			
28	2			1139-1339-01	Wentil	Valve			
29	2			1139-1338-01	Feder	Spring			
30	2			1139-1346-01	Kugel	Ball			
31	1			1139-1356-01	Zylinderblock kpl	Cylinder block assy			
32	1			1139-1245-01	Feder	Spring			
33	1			1139-1246-01	Pumpenwelle.....	Pump shaft	s/n - 0030152		
33	1			1139-1406-01	Pumpachse.....	Pump shaft	s/n 0030153-		
34	3			1139-1146-01	Schließring	Ring			
35	1			1139-1110-01	Kugellager	Ball bearing			
36	1			1139-1157-01	Gehäuse.....	Housing			
37	1			1139-1054-01	Lager	Bearing.....			
38	1			1139-1139-01	Zylinderblock Kpl.....	Cylinder block assy			
39	1			1139-1160-01	Scheibe.....	Washer.....			
40	1			1139-1353-01	Motorachse	Motor shaft			
41	1			1139-1021-01	Schließring	Snap ring			
42	1			1139-1272-01	Motorzahnrad.....	Motor gear			
43	1			1139-1453-01	Lager	Bearing.....			
44	2			1139-1066-01	Druckplatte	Metal thrust.....			
45	1			1139-1067-01	Spritzplatte kpl.....	Swash plate assy	s/n - 013937		
45	1			1139-1475-01	Spritzerplatte kpl.....	Swash plate assy	s/n 013938-		
49	1			1139-1315-01	Kontrollwelle.....	Control shaft	s/n 004000- 006773		
49	1			1139-1354-01	Regulierachse.....	Control shaft	s/n 006774-		
50	1			1139-1410-01	Exenter	Fulcrum.....	s/n 004000-		
51	1			1139-1312-01	Feder	Spring			
52	1			1139-1409-01	Reglerarm.....	Control arm			
53	1			1139-1325-01	Kontrollhebel	Control lever			
54	1			1139-1408-01	Rückplatte	Jerky plate.....			
55	1			1139-1102-01	Scheibe.....	Washer.....			
56	1			1139-1327-01	Stift.....	Pin	s/n 004000-006773		
56	1			1139-1355-01	Splint.....	Cotter pin	s/n 006774-		
57	1			1139-1329-01	Stift.....	Pin			
58	1			1139-1285-01	Stift.....	Pin			
59	2			1139-1115-01	O- ring	O- ring.....	S		
60	1			1139-1127-01	Mutter	Nut			
61	1			1139-1404-01	Diff.ritzel kpl	Differential gear kit.....			
62	1			1139-1258-01	Enderitzel.....	Final gear			
63	1			1139-1255-01	Hülse	Collar			
64	1			1139-1256-01	Reduktionsachse	Reduction shaft.....			
65	2			1139-1257-01	Scheibe.....	Washer.....	s/n - 0013064		
65	2			1139-1398-01	Scheibe.....	Washer.....	s/n 0013065-		
66	1			1139-1267-01	Reduktionsritzel.....	Reduction gear.....			
67	1			1139-1259-01	Enderitzel.....	Final pinion	s/n - 013064		
67	1			1139-1361-01	Enderitzel.....	Final pinion	s/n 013065-		
68	1			1139-1269-01	Radachse- links	Axle shaft- left	s/n 000001- 003999		

X

Ausgabe Issue 2007- 32		Bild Nr Picture No C093A		KANZAKI GETRIEBE K46AG		KANZAKI TRANSAXLE K46AG		Seite Page 114	
Pos. Fig.	Anzahl/Quantity				Artikel Nr. Part No	Bezeichnung	Description	Satz Kit	Anmerkung Notes
	K46 AG								
68	1				1139-1342-01	Radachse- links	Axle shaft- left		s/n 004000- s/n 000001- 003999 s/n 004000-
69	1				1139-1270-01	Radachse- rechts	Axle shaft- right		
69	1				1139-1343-01	Radachse- rechts	Axle shaft- right		
70	2				1139-1078-01	Druckscheibe	Thrust washer		
71	2				1139-1163-01	Schließring	Ring		
72	2				1139-1080-01	Dichtring	Seal	S	
73	2				1139-1164-01	Buchse	Bushing		
75	1				1139-1260-01	Bremsschuhe	Brake shoe		
76	1				1139-1261-01	Bremshebel	Brake arm		
77	1				1139-1320-01	Bremsachse	Brake shaft		
78	1				1139-1411-01	Feder	Return spring		
79	1				1139-1264-01	Bremsdrucker	Brake actuator		
80	1				1139-1282-01	Stift	Pin		
81	2				1139-1114-01	O- ring	O- ring	S	
82	2				1139-1281-01	Stift	Pin		
83	2				1139-1248-01	Hülse	Spline collar		
84	1				1139-1484-01	Riemenscheibe	Belt pulley		
85	1				1134-4190-01	Gebläse	Fan		
86	1				1139-1266-01	Schloßscheibe	Lock washer		
87	1				1139-1149-01	Schließring	Snap ring		
89	1				1139-1351-01	Obere Gehäuse	Upper housing		s/n - 003999 s/n 004000-
X 89	1				1139-1485-01	Gehäuse- obere	Housing- upper		
89A	2				1139-1414-01	• Buchse	• Bushing		
90	1				1139-1280-01	Stift	Pin		
91	1				1139-1303-01	Dichtring	Oil seal	S	
95	1				1139-1279-01	Stift	Pin		
99	2				1139-1103-01	Dichtungsscheibe	Seal washer	S	
100	2				1139-1123-01	Bolzen	Bolt		
199	1				1139-1362-01	Lager	Bearing		Pos 46 - 48 incl. Marked S Not ill.
X 200	1				1139-1403-01	Dichtungssatz	Seal kit		
X 201	1				1139-1486-01	Reparationsatz	Repair kit		

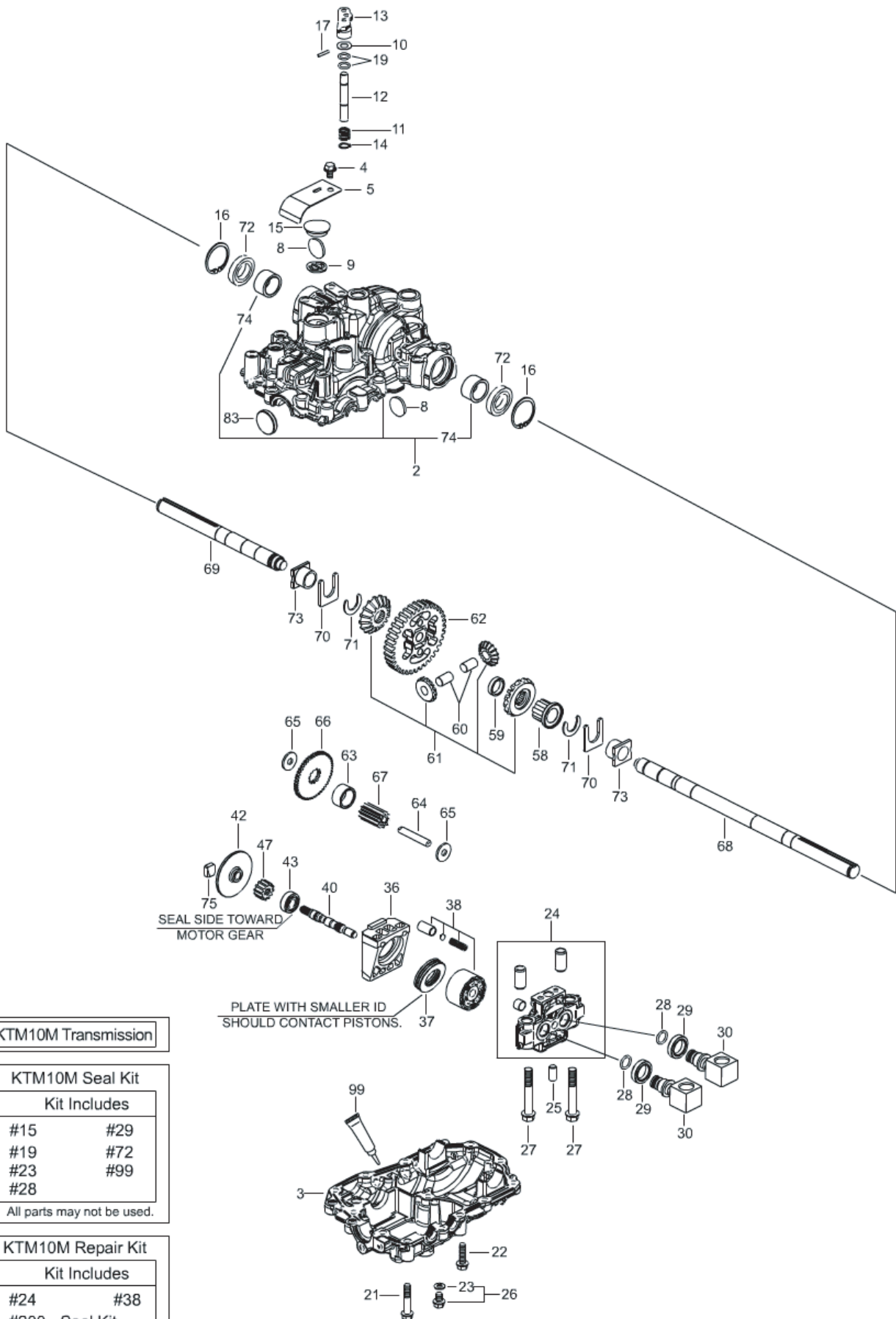


Ausgabe Issue 2007- 32		Bild Nr Picture No C162		KANZAKI GETRIEBE K46G		KANZAKI TRANSAXLE K46G		Seite Page 116	
Pos. Fig.	Anzahl/Quantity				Artikel Nr. Part No	Bezeichnung	Description	Satz Kit	Anmerkung Notes
	K46G								
1	1			1134- 4848- 01	Getriebe kpl	Transaxle assy.....		Kanzaki K46G	
3	1			1139- 1402- 01	Gehäuse- untere.....	Case- lower			
5	1			1139- 1301- 01	Rohr	Tube			
6	2			1139- 1336- 01	Schlauchklemme	Hose clamp			
8	2			1139- 1150- 01	Magnet	Magnet.....	S		
9	1			1139- 1341- 01	Halter- Magnet.....	Holder- magnet			
11	1			1139- 1028- 01	Feder	Spring		s/n - 015563	
11	1			1139- 1347- 01	Feder	Spring		s/n 015564-	
12	1			1139- 1251- 01	Achse by- pass	Shaft- bypass			
13	1			1139- 1189- 01	Hebel- bypass	Lever- bypass.....			
14	1			1139- 1161- 01	Schließring	Ring			
15	1			1139- 1275- 01	Propfen.....	Bore plug			
16	1			1139- 1104- 01	Schließring	Snap ring			
19	2			1139- 1117- 01	O- ring	O- ring	S		
20	1			1139- 1119- 01	Dichtung.....	Seal	S		
21	2			1139- 1295- 01	Schraube	Tapping screw.....			
22	14			1139- 0244- 01	Schraube	Tapping screw.....			
24	1			1139- 1273- 01	Zentrumgehäuse kpl.....	Center case assy		s/n 010804- 015418	
24	1			1139- 1340- 01	Zentrumgehäuse kpl.....	Center case assy		s/n 015419-	
25	1			1139- 1158- 01	Stift.....	Pin			
26	1			1139- 1405- 01	Filter	Filter	S		
27	3			1139- 1294- 01	Bolzen.....	Bolt			
28	2			1139- 1339- 01	Wentil	Valve			
29	2			1139- 1243- 01	Feder	Spring		s/n - 009999	
29	2			1139- 1338- 01	Feder	Spring		s/n 010000-	
30	2			1139- 1346- 01	Kugel	Ball			
31	1			1139- 1159- 01	Zylinderblock kpl	Cylinder block assy		s/n - 015563	
31	1			1139- 1356- 01	Zylinderblock kpl	Cylinder block assy		s/n 015564-	
32	1			1139- 1245- 01	Feder	Spring			
33	1			1139- 1246- 01	Pumpenwelle.....	Pump shaft			
34	3			1139- 1146- 01	Schließring	Ring			
35	1			1139- 1110- 01	Kugellager	Ball bearing			
36	1			1139- 1157- 01	Gehäuse.....	Housing			
37	1			1139- 1054- 01	Lager	Bearing.....			
38	1			1139- 1139- 01	Zylinderblock Kpl.....	Cylinder block assy			
39	1			1139- 1160- 01	Scheibe.....	Washer.....			
40	1			1139- 1247- 01	Motorwelle	Motor shaft		s/n 010804- 015563	
40	1			1139- 1353- 01	Motorachse	Motor shaft		s/n 015564-	
41	1			1139- 1021- 01	Schließring	Snap ring			
42	1			1139- 1272- 01	Motorzahnrad	Motor gear			
43	1			1139- 1453- 01	Lager	Bearing.....			
44	2			1139- 1066- 01	Druckplatte	Metal thrust.....			
45	1			1139- 1067- 01	Spritzplatte kpl.....	Swash plate assy		s/n - 022544	
45	1			1139- 1475- 01	Spritzerplatte kpl.....	Swash plate assy		s/n 022545-	
49	1			1139- 1315- 01	Kontrollwelle.....	Control shaft		s/n 010804- 012410	
49	1			1139- 1354- 01	Regulierachse.....	Control shaft		s/n 012411-	
50	1			1139- 1316- 01	Drehzentrum.....	Fulcrum.....			
51	1			1139- 1312- 01	Feder	Spring			
52	1			1139- 1409- 01	Reglerarm.....	Control arm			
53	1			1139- 1325- 01	Kontrollhebel	Control lever			
54	1			1139- 1408- 01	Rückplatte	Jerky plate.....			
55	1			1139- 1102- 01	Scheibe.....	Washer.....			
56	1			1139- 1327- 01	Stift.....	Pin		s/n 010804- 012410	
56	1			1139- 1355- 01	Splint.....	Cotter pin		s/n 012411-	
57	1			1139- 1329- 01	Stift.....	Pin			
58	1			1139- 1285- 01	Stift.....	Pin			
59	2			1139- 1115- 01	O- ring	O- ring.....	S		
60	1			1139- 1127- 01	Mutter	Nut			
61	1			1139- 1404- 01	Diff.ritzel kpl	Differential gear kit.....			
62	1			1139- 1258- 01	Enderitzel.....	Final gear			
63	1			1139- 1255- 01	Hülse	Collar			
64	1			1139- 1256- 01	Reduktionsachse	Reduction shaft.....			
65	2			1139- 1257- 01	Scheibe.....	Washer.....		s/n - 0022544	

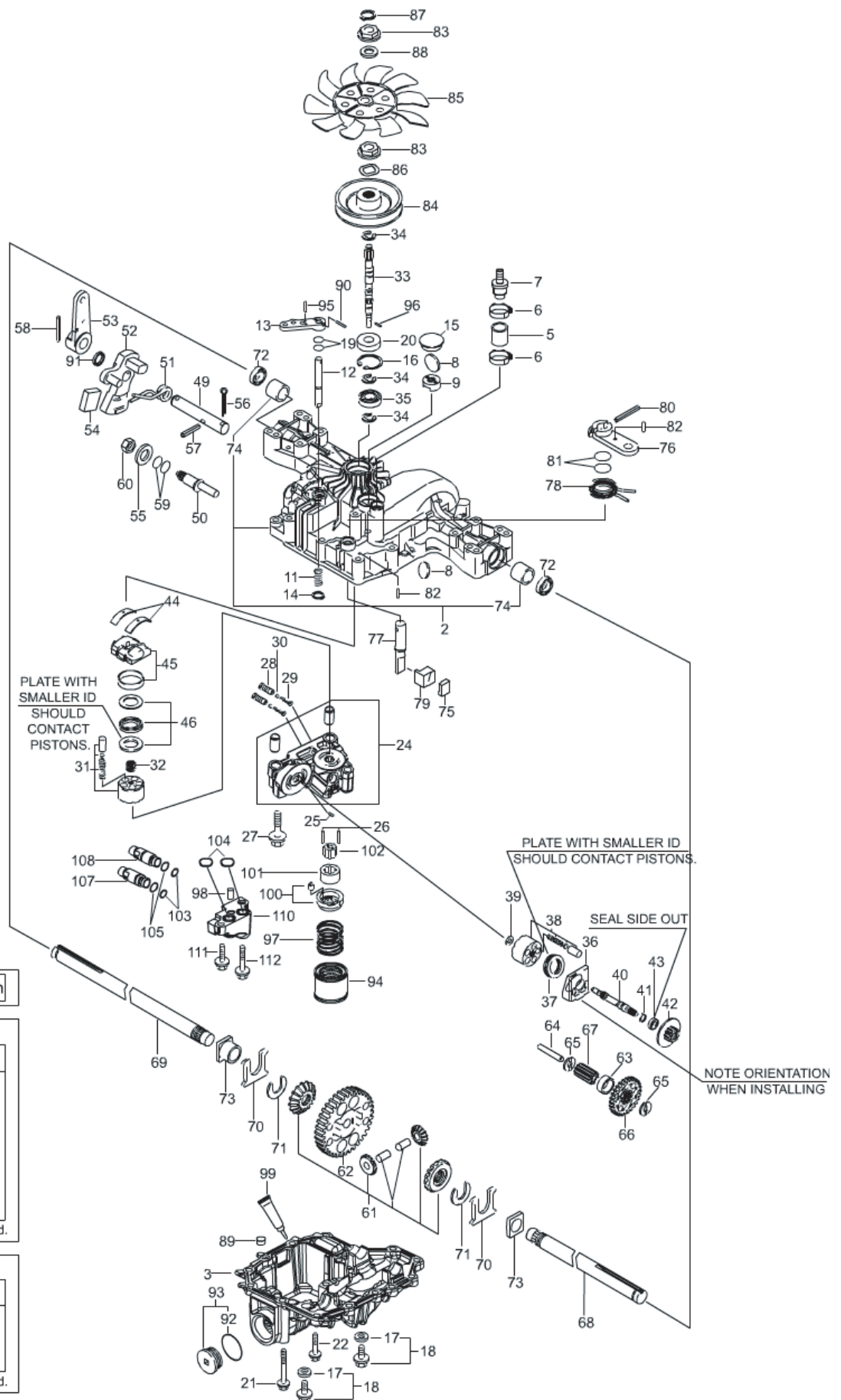


Ausgabe Issue 2007- 32		Bild Nr Picture No C162		KANZAKI GETRIEBE K46G		KANZAKI TRANSAXLE K46G		Seite Page 118	
Pos. Fig.	Anzahl/Quantity				Artikel Nr. Part No	Bezeichnung	Description	Satz Kit	Anmerkung Notes
	K46G								
65	2				1139- 1398- 01	Scheibe.....	Washer.....		s/n 0022545-
66	1				1139- 1267- 01	Reduktionsritzel.....	Reduction gear.....		
67	1				1139- 1259- 01	Enderitzel.....	Final pinion		s/n - 020523
67	1				1139- 1361- 01	Enderitzel.....	Final pinion		s/n 020524-
68	1				1139- 1269- 01	Radachse- links	Axle shaft- left		s/n 010804- 014194
68	1				1139- 1344- 01	Radachse- links	Axle shaft- left		s/n 014195-
69	1				1139- 1270- 01	Radachse- rechts	Axle shaft- right.....		s/n 010804- 014194
69	1				1139- 1345- 01	Radachse- rechts	Axle shaft- right.....		s/n 014195-
70	2				1139- 1078- 01	Druckscheibe.....	Thrust washer		
71	2				1139- 1163- 01	Schließring	Ring		
72	2				1139- 1080- 01	Dichtring.....	Seal	S	
73	2				1139- 1164- 01	Buchse.....	Bushing.....		
75	1				1139- 1260- 01	Bremsschuhe.....	Brake shoe		
76	1				1139- 1261- 01	Bremshebel	Brake arm		
77	1				1139- 1320- 01	Bremsachse.....	Brake shaft.....		
78	1				1139- 1411- 01	Feder	Return spring.....		
79	1				1139- 1264- 01	Bremsdrucker.....	Brake actuator.....		
80	1				1139- 1282- 01	Stift.....	Pin		
81	2				1139- 1114- 01	O- ring	O- ring	S	
82	2				1139- 1281- 01	Stift.....	Pin		
83	1				1139- 1248- 01	Hülse	Spline collar		
84	1				1139- 1469- 01	Riemenscheibe	Pulley		
85	1				1134- 4190- 01	Gebläse.....	Fan		
86	1				1139- 1266- 01	Schloßscheibe	Lock washer.....		
87	1				1139- 1149- 01	Schließring	Snap ring		
89	1				1139- 1302- 01	Obere Gehäuse kpl.....	Upper housing assy		s/n - 018458
89	1				1139- 1358- 01	Obere Gehäuse kpl.....	Upper housing assy		s/n 010000- 0042626
89	1				1139- 1470- 01	Gehäuse- obere.....	Housing- upper		s/n 0042627-
89A	2				1139- 1414- 01	• Buchse.....	• Bushing.....		
90	1				1139- 1280- 01	Stift.....	Pin		
91	1				1139- 1303- 01	Dichtring.....	Oil seal	S	
95	1				1139- 1279- 01	Stift.....	Pin		
99	2				1139- 1103- 01	Dichtungsscheibe	Seal washer.....	S	
100	2				1139- 1123- 01	Bolzen.....	Bolt		
101	1				1139- 1306- 01	Adapter.....	Adapter		
102	1				1139- 1276- 01	Scheibe.....	Collar		
199	1				1139- 1362- 01	Lager	Bearing.....		Pos 46 - 48 incl.
200	1				1139- 1403- 01	Dichtungssatz.....	Seal kit		Marked S
201	1				1139- 1486- 01	Reparationsatz.....	Repair kit.....		Not ill.

X



Ausgabe Issue 2007-32		Bild Nr Picture No C164		KANZAKI GETRIEBE KTM 10M		KANZAKI TRANSAXLE KTM 10M		Seite Page 120	
Pos. Fig.	Anzahl/Quantity				Artikel Nr. Part No	Bezeichnung	Description	Satz Kit	Anmerkung Notes
	KTM 10M								
1	1				1134-6029-01	Motorachse- vorne.....	Transaxle- front		Kanzaki KTM 10M Pos 74 incl.
2	1				1139-1417-01	Gehäuse- obere.....	Housing- upper		
3	1				1139-1418-01	Gehäuse- untere.....	Housing- lower		
4	1				1139-1123-01	Bolzen.....	Bolt		
5	1				1139-1384-01	Gleitplatte	Skid plate		
8	2				1139-1150-01	Magnet	Magnet.....		
9	1				1139-1341-01	Halter- Magnet.....	Holder- magnet		
10	1				1139-1388-01	Scheibe.....	Washer.....		
11	1				1139-1421-01	Feder	Spring		
12	1				1139-1420-01	Achse- bypass	By- pass shaft		
13	1				1139-1189-01	Hebel- bypass	Lever- bypass.....		
14	1				1139-1391-01	Schließring	Ring		
15	1				1139-1397-01	Dichtkappe.....	Sealing cap		
16	2				1139-1444-01	Schließring	Ring		
17	1				1139-1280-01	Stift.....	Pin		
19	2				1139-1114-01	O- ring	O- ring		
21	3				1139-1291-01	Bolzen.....	Bolt		
22	11				1139-1448-01	Bolzen.....	Bolt		
23	1				1139-1103-01	Dichtungsscheibe.....	Seal washer.....		
24	1				1139-1419-01	Zentrumgehäuse Kpl.....	Center case assy		
25	1				1139-1445-01	Zapfen	Pin		
27	2				1139-1449-01	Bolzen.....	Bolt		
28	2				1139-1446-01	Dichtung.....	Packing		
29	2				1139-1447-01	Dichtring.....	Seal		
30	2				1139-1424-01	Anschluß	Connector		
36	1				1139-1422-01	Gehäuse.....	Housing		
37	1				1139-1438-01	Lager.....	Bearing.....		
38	1				1139-1139-01	Zylinderblock Kpl.....	Cylinder block assy		
40	1				1139-1425-01	Motorachse	Motor shaft		
42	1				1139-1451-01	Bremsscheibe.....	Brake disc		
43	1				1139-1453-01	Lager	Bearing.....		
47	1				1139-1426-01	Motorritzel.....	Motor gear		
58	1				1139-1330-01	Hülse	Collar		
59	1				1139-1435-01	Hülse	Collar		
60	1				1139-1440-01	Achse.....	Pin		
61	1				1139-1439-01	Differentialritzel	Differential gear kit.....		
62	1				1139-1429-01	Ritzel	Final gear		
63	1				1139-1427-01	Hülse	Collar		
64	1				1139-1256-01	Reduktionsachse	Reduction shaft.....		
65	2				1139-1398-01	Scheibe.....	Washer.....		
66	1				1139-1430-01	Reduktionsritzel.....	Reduction gear.....		
67	1				1139-1361-01	Enderitzel.....	Final pinion		
68	1				1139-1432-01	Radachse.....	Axle		
69	1				1139-1431-01	Radachse.....	Axle.....		
70	2				1139-1194-01	Druckscheibe.....	Thrust washer		
71	2				1139-1155-01	Schließring	Ring		
72	2				1139-1044-01	Dichtung	Seal		
73	2				1139-1156-01	Buchse.....	Bushing.....		
74	2				1139-1415-01	• Buchse.....	• Bushing.....		
75	1				1139-1260-01	Bremsschuhe.....	Brake shoe		
83	1				1139-1450-01	Dichtung.....	Sealing cap		
99	1				1139-1443-01	Dichtungsmittel	Sealant		
200	1				1139-1436-01	Servicesatz	Seal kit		



1- K574G Transmission

K574G Seal Kit

Kit Includes

- | | |
|-----|------|
| #17 | #91 |
| #19 | #92 |
| #20 | #94 |
| #30 | #99 |
| #59 | #103 |
| #72 | #104 |
| #81 | #105 |

All parts may not be used.

K574G Repair Kit

Kit Includes

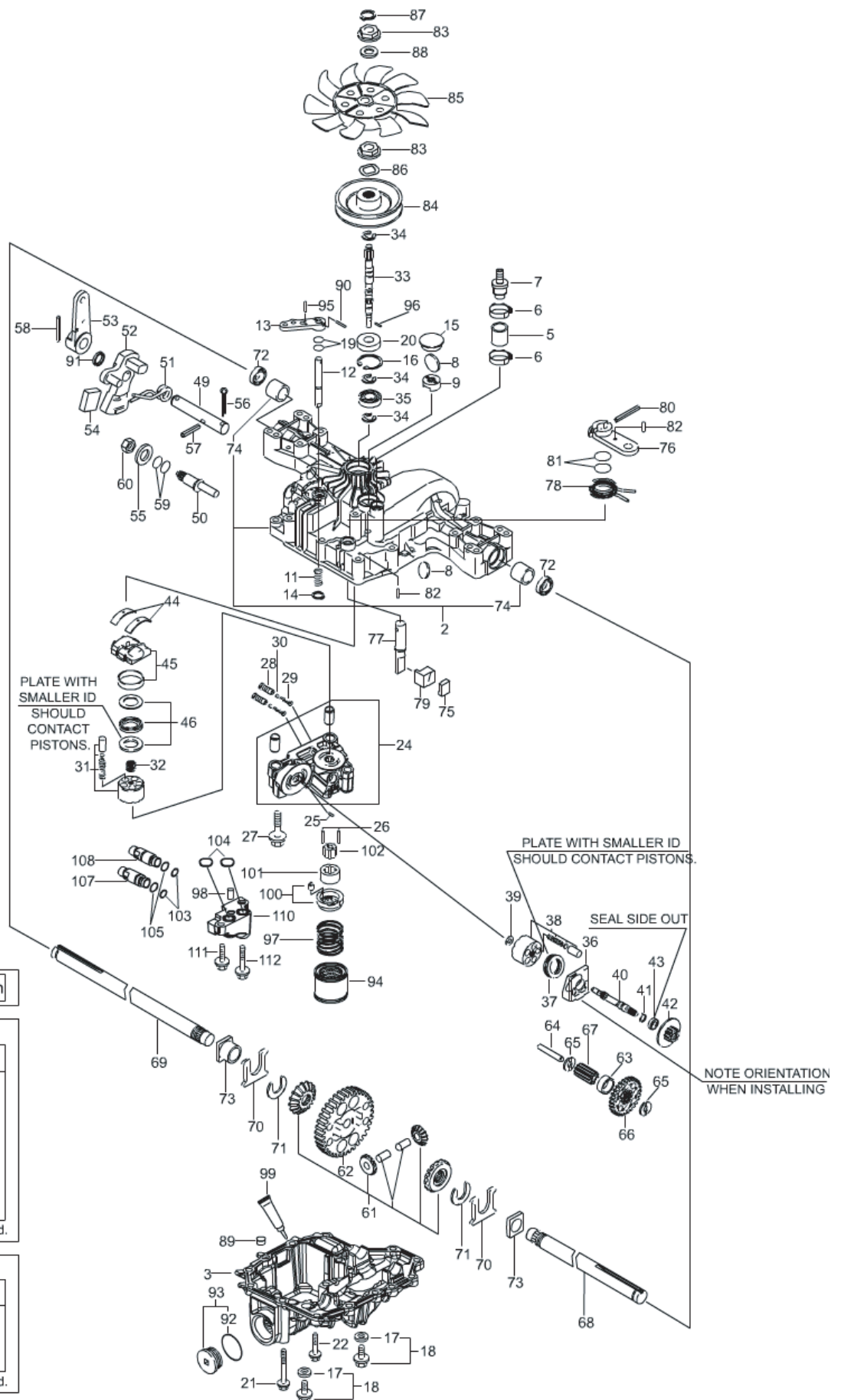
- | | |
|---------------|-----|
| #24 | #38 |
| #31 | |
| #200-Seal Kit | |

All parts may not be used.

200-

201-

Ausgabe Issue 2007- 32		Bild Nr Picture No C163		KANZAKI GETRIEBE K574G		KANZAKI TRANSAXLE K574G		Seite Page 122	
Pos. Fig.	Anzahl/Quantity				Artikel Nr. Part No	Bezeichnung	Description	Satz Kit	Anmerkung Notes
	574G								
X	1	1			1134- 6394- 01	Getriebe kpl	Transaxle assy.....		Kanzaki K574G Pos 74 incl.
	2	1			1139- 1470- 01	Gehäuse- obere.....	Housing- upper		
	3	1			1139- 1456- 01	Gehäuse- untere.....	Housing- lower		
	5	1			1139- 1301- 01	Rohr	Tube		
	6	2			1139- 1336- 01	Schlauchklemme	Hose clamp		
	7	1			1139- 1306- 01	Adapter.....	Adapter		
	8	2			1139- 1150- 01	Magnet	Magnet		
	9	1			1139- 1341- 01	Halter- Magnet.....	Holder- magnet		
	11	1			1139- 1347- 01	Feder	Spring		
	12	1			1139- 1251- 01	Achse by- pass	Shaft- bypass		
	13	1			1139- 1189- 01	Hebel- bypass	Lever- bypass.....		
	14	1			1139- 1161- 01	Schließring	Ring		
	15	1			1139- 1275- 01	Propfen.....	Bore plug		
	16	1			1139- 1104- 01	Schließring	Snap ring		
	17	2			1139- 1103- 01	• Dichtungsscheibe	• Seal washer.....		
	18	2			1139- 1123- 01	Bolzen.....	Bolt	Pos 17 incl.	
	20	1			1139- 1119- 01	Dichtung.....	Seal		
	21	4			1139- 1473- 01	Bolzen.....	Bolt		
	22	12			1139- 0244- 01	Schraube	Tapping screw.....		
X	24	1			1139- 1487- 01	Zentrumgehäuse.....	Center case		
	25	1			1139- 1158- 01	Stift.....	Pin		
X	26	2			1139- 1497- 01	Stift.....	Pin		
	27	2			1139- 1294- 01	Bolzen.....	Bolt		
	28	2			1139- 1468- 01	Ventil	IDS valve.....		
	29	2			1139- 1243- 01	Feder	Spring		
	30	2			1139- 1307- 01	Filter	Filter		
	31	1			1139- 1356- 01	Zylinderblock kpl	Cylinder block assy		
	32	1			1139- 1245- 01	Feder	Spring		
X	33	1			1139- 1493- 01	Pumpenwelle.....	Pump shaft		
	34	3			1139- 1146- 01	Schließring	Ring		
	35	1			1139- 1110- 01	Kugellager	Ball bearing		
	36	1			1139- 1458- 01	Gehäuse.....	Housing		
	37	1			1139- 1438- 01	Lager	Bearing.....		
	38	1			1139- 1454- 01	Zylinderblock.....	Cylinder block		
	39	1			1139- 1160- 01	Scheibe.....	Washer.....		
	40	1			1139- 1353- 01	Motorachse	Motor shaft		
	41	1			1139- 1021- 01	Schließring	Snap ring		
	42	1			1139- 1272- 01	Motorzahnrad.....	Motor gear		
	43	1			1139- 1453- 01	Lager	Bearing.....		
	44	2			1139- 1066- 01	Druckplatte	Metal thrust.....		
	45	1			1139- 1067- 01	Spritzplatte kpl.....	Swash plate assy		
	46	1			1139- 1068- 01	Lager	Bearing.....		
	49	1			1139- 1354- 01	Regulierachse.....	Control shaft		
	50	1			1139- 1410- 01	Exenter	Fulcrum.....		
	51	1			1139- 1312- 01	Feder	Spring		
	52	1			1139- 1409- 01	Reglerarm.....	Control arm.....		
	53	1			1139- 1325- 01	Kontrollhebel	Control lever		
	54	1			1139- 1408- 01	Rückplatte	Jerky plate.....		
	55	1			1139- 1102- 01	Scheibe.....	Washer.....		
	56	1			1139- 1355- 01	Splint.....	Cotter pin		
	57	1			1139- 1329- 01	Stift.....	Pin		
	58	1			1139- 1285- 01	Stift.....	Pin		
	60	1			1139- 1127- 01	Mutter	Nut		
	61	1			1139- 1404- 01	Diff.ritzel kpl	Differential gear kit.....		
	62	1			1139- 1258- 01	Enderitzel.....	Final gear		
	63	1			1139- 1255- 01	Hülse	Collar		
	64	1			1139- 1256- 01	Reduktionsachse	Reduction shaft.....		
	65	2			1139- 1398- 01	Scheibe.....	Washer.....		
	66	1			1139- 1267- 01	Reduktionsritzel.....	Reduction gear.....		
	67	1			1139- 1361- 01	Enderitzel.....	Final pinion		
	68	1			1139- 1344- 01	Radachse- links	Axle shaft- left		
	69	1			1139- 1345- 01	Radachse- rechts	Axle shaft- right.....		
	70	2			1139- 1078- 01	Druckscheibe.....	Thrust washer		



1- K574G Transmission

K574G Seal Kit

Kit Includes

- | | |
|-----|------|
| #17 | #91 |
| #19 | #92 |
| #20 | #94 |
| #30 | #99 |
| #59 | #103 |
| #72 | #104 |
| #81 | #105 |

All parts may not be used.

200-

K574G Repair Kit

Kit Includes

- | | |
|---------------|-----|
| #24 | #38 |
| #31 | |
| #200-Seal Kit | |

All parts may not be used.

201-

Ausgabe Issue 2007-32		Bild Nr Picture No C163		KANZAKI GETRIEBE K574G		KANZAKI TRANSAXLE K574G		Seite Page 124	
Pos. Fig.	Anzahl/Quantity				Artikel Nr. Part No	Bezeichnung	Description	Satz Kit	Anmerkung Notes
	574G								
	71	2			1139-1163-01	Schließring	Ring		
	72	2			1139-1080-01	Dichtring.....	Seal		
	73	2			1139-1164-01	Buchse.....	Bushing.....		
	74	2			1139-1414-01	• Buchse.....	• Bushing.....		
	75	1			1139-1260-01	Bremsschuhe.....	Brake shoe		
	76	1			1139-1261-01	Bremshebel	Brake arm		
	77	1			1139-1320-01	Bremsachse.....	Brake shaft.....		
	78	1			1139-1411-01	Feder	Return spring		
	79	1			1139-1264-01	Bremsdrucker.....	Brake actuator.....		
	80	1			1139-1282-01	Stift.....	Pin		
	82	2			1139-1281-01	Stift.....	Pin		
	83	2			1139-1248-01	Hülse	Spline collar		
	84	1			1139-1469-01	Riemenscheibe	Pulley		
	85	1			1134-4190-01	Gebälse.....	Fan		
	86	1			1139-1266-01	Schloßscheibe	Lock washer.....		
	87	1			1139-1149-01	Schließring	Snap ring		
	88	1			1139-1276-01	Scheibe.....	Collar		
	89	4			1139-1166-01	Zapfen	Pin		
	90	1			1139-1280-01	Stift.....	Pin		
	91	1			1139-1303-01	Dichtring.....	Oil seal		
	92	1			1139-1290-01	• Dichtung	• Packing		
	93	1			1139-1230-01	Deckel.....	Cap.....		Pos 92 incl.
X	94	1			1139-1488-01	Filter	Filter		
	95	1			1139-1279-01	Stift.....	Pin		
X	96	1			1139-1495-01	Zapfen	Pin		
X	97	1			1139-1492-01	Feder	Charge spring		
X	98	1			1139-1496-01	Zapfen	Parallell pin		
	99	1			1139-1443-01	Dichtungsmittel	Sealant		
X	100	1			1139-1494-01	Pumpengehäuse.....	Pump case kit		
X	101	1			1139-1490-01	Rotor- ausser.....	Rotor- outer		
X	102	1			1139-1489-01	Rotor- innere	Rotor- inner		
	105	2			1139-0239-01	Dichtung	Packing		
	107	1			1139-1459-01	Nippel	Piping.....		
	108	1			1139-1460-01	Nippel	Piping.....		
X	110	1			1139-1491-01	Pumpengehäuse.....	Charge pump case		
	111	1			1139-1472-01	Bolzen.....	Bolt		
	112	1			1139-1455-01	Schraube	Tapping screw.....		
	113	1			1139-1471-01	Bolzen.....	Bolt		
X	200	1			1139-1481-01	Dichtungssatz.....	Seal kit		