

# Parts Catalogue

for model  
**NJX 102 Hydro**

- Use GLOBAL GARDEN PRODUCT Genuine Spare Parts specified in the parts list for repair and/or replacement.
- The contents described in the parts list may change due to improvement.
- The drawings of the spare parts are only indicative and might not represent the part in question exactly.
- The indications "right" - "left" - "front" - "rear" refer to the position of the operator when using the machine.
- When placing orders of parts for repair and/or replacement, make sure that the illustrated parts list is the one applying to the machine's year of manufacture, as shown on the identification plate attached to the machine.

© Copyright 2015 Global Garden Products

All content is subject to copyright by Global Garden Products and may not be reproduced in whole or in part by any means, electronic or otherwise, without prior written approval.

THIS INFORMATION IS NOT INTENDED FOR SALE OR RESALE, AND THIS NOTICE MUST REMAIN ON ALL COPIES.



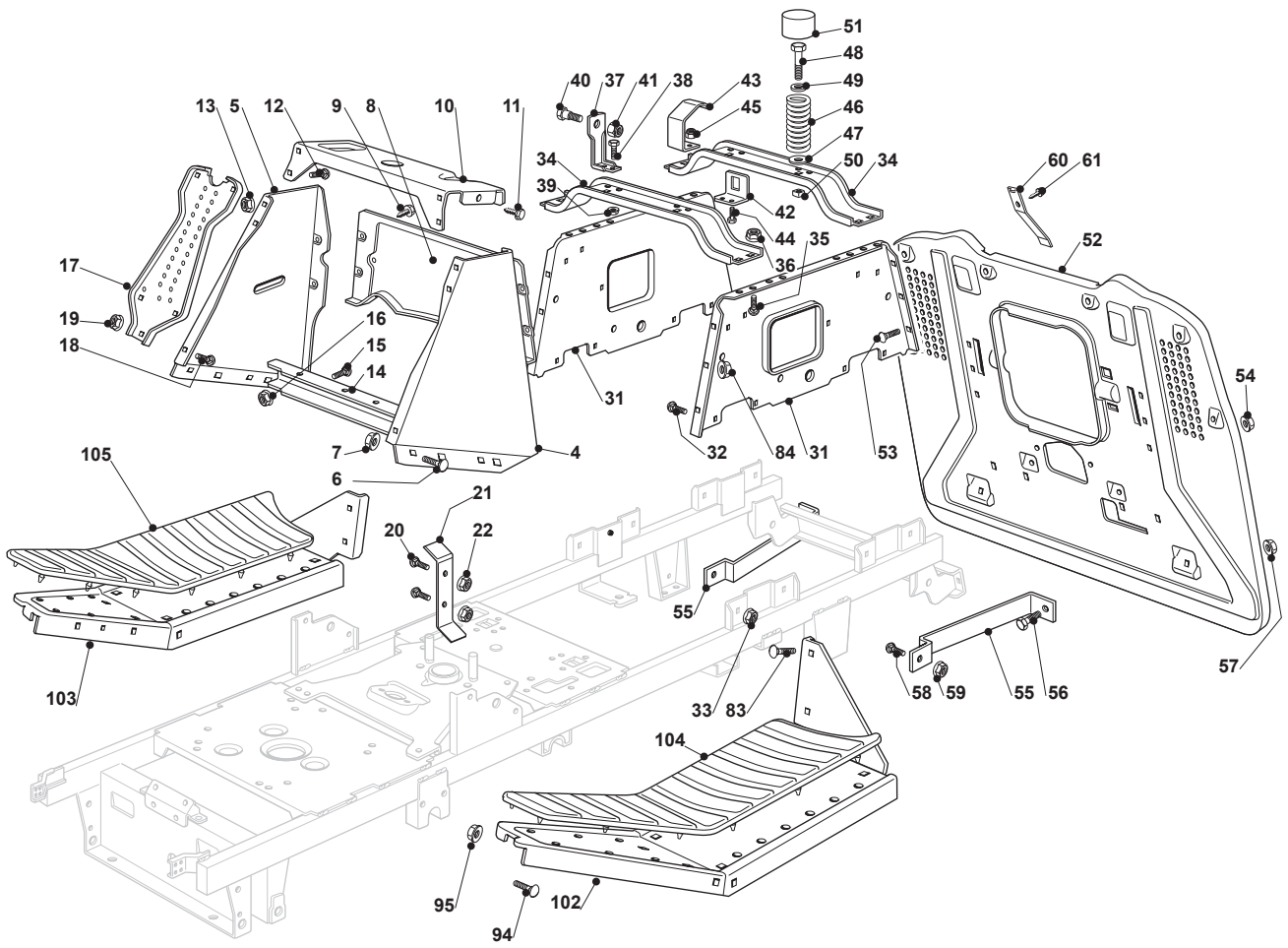
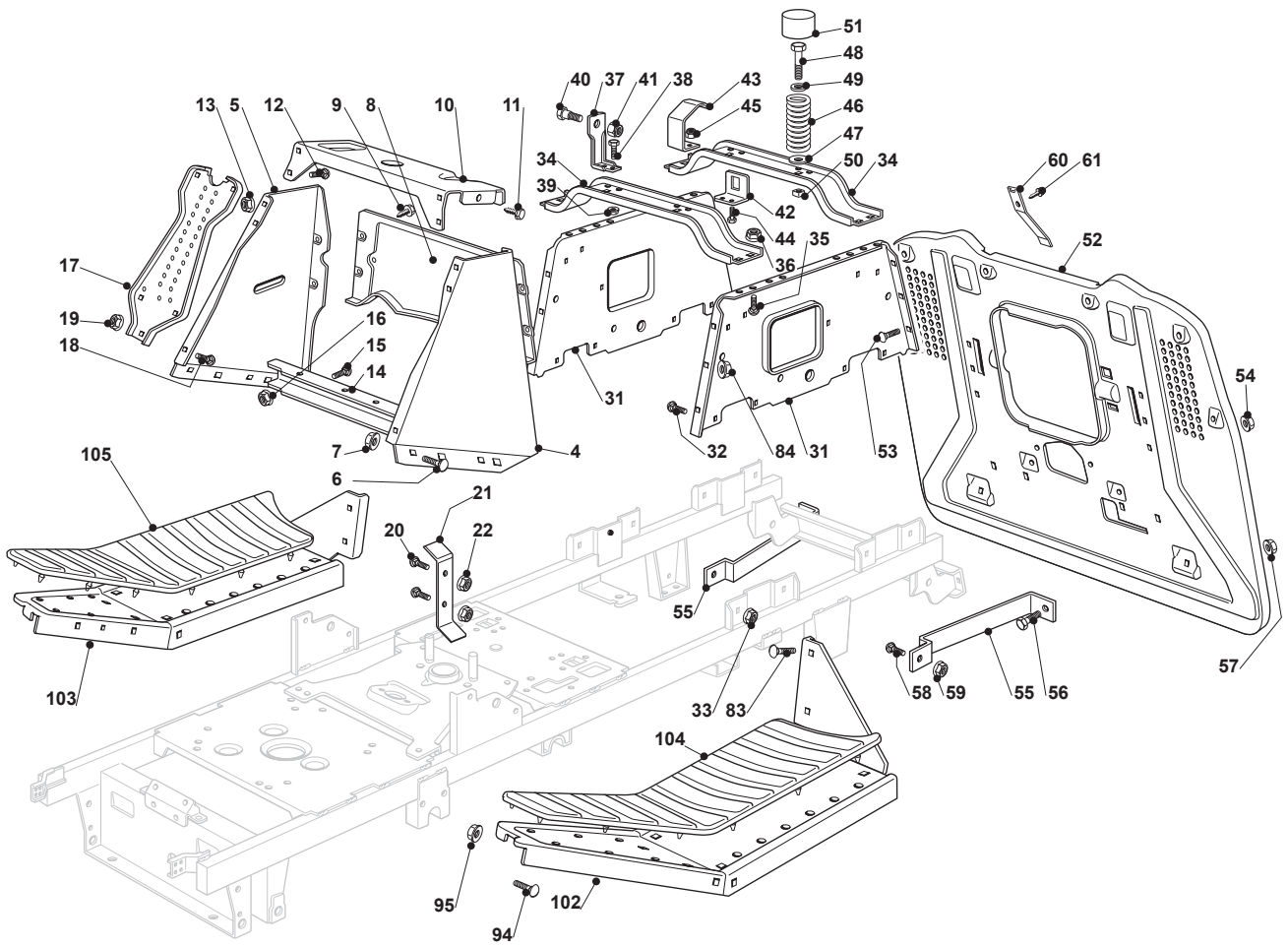


Fig.	Quantity	Part No	Description	Notes
4	1	325785243/1	Left Dashboard Support	
5	1	325785245/0	Right Dashboard Support	
6	4	112818690/0	Screw	
7	4	112293201/0	Nut	
8	1	382785151/2	Rear Dashboard Support	
9	4	112735110/0	Screw	
10	1	325785255/0	Central Dashboard Support	
11	2	112735110/0	Screw	
12	4	112815200/0	Screw	
13	4	112292102/0	Nut	
14	1	325785241/0	Support	
15	2	112815200/0	Screw	
16	2	112292102/0	Nut	
17	2	382785153/1	Front Dashboard Support	
18	2	112815200/0	Screw	
19	2	112292102/0	Nut	
20	2	112793102/0	Screw	
21	1	325785499/0	Support	
22	2	112293201/0	Nut	
31	2	325785249/1	Seat Support	
32	8	112815200/0	Screw	
33	8	112292102/0	Nut	
34	2	325785257/1	Seat Support	
35	8	112818690/0	Screw	
36	8	112293201/0	Nut	
37	2	325755039/0	Bracket	
38	4	112792611/0	Screw	
39	4	112293201/0	Nut	
40	2	122524970/2	Fulcrum Pin	
41	3	112155010/0	Nut	
42	1	325755043/0	Bracket	
43	1	325430253/0	Spring	
44	2	112789000/0	Screw	
45	2	112154330/0	Nut	
46	2	125430257/1	Spring	
47	2	112523070/0	Washer	
48	2	112760515/0	Screw	
49	2	122671653/0	Washer	
50	2	112360425/0	Nut	
51	2	325122000/2	Spring	
52	1	382547041/1	Plate	
53	6	112792611/0	Screw	
54	6	112293201/0	Nut	
55	2	325650147/0	Plate Stiffening	
56	2	112792611/0	Screw	
57	2	112293201/0	Nut	
58	2	112792611/0	Screw	
59	2	112293201/0	Nut	
60	1	125430276/0	Spring	
61	1	112735110/0	Screw	
83	4	112792611/0	Screw	



# NJX 102 HYDRO

Ride-on 102-122 Chassis - High Version

Issue 10 - 2015

Fig.	Quantity	Part No	Description	Notes
84	4	112293201/0	Nut	
94	4	112815200/0	Screw	
95	4	112292102/0	Nut	
102	1	382510083/0	Left Footboard Support	
103	1	382510081/0	Right Footboard Support	
104	1	325110327/0	Left Footboard Cover	
105	1	325110326/0	Right Footboard Cover	

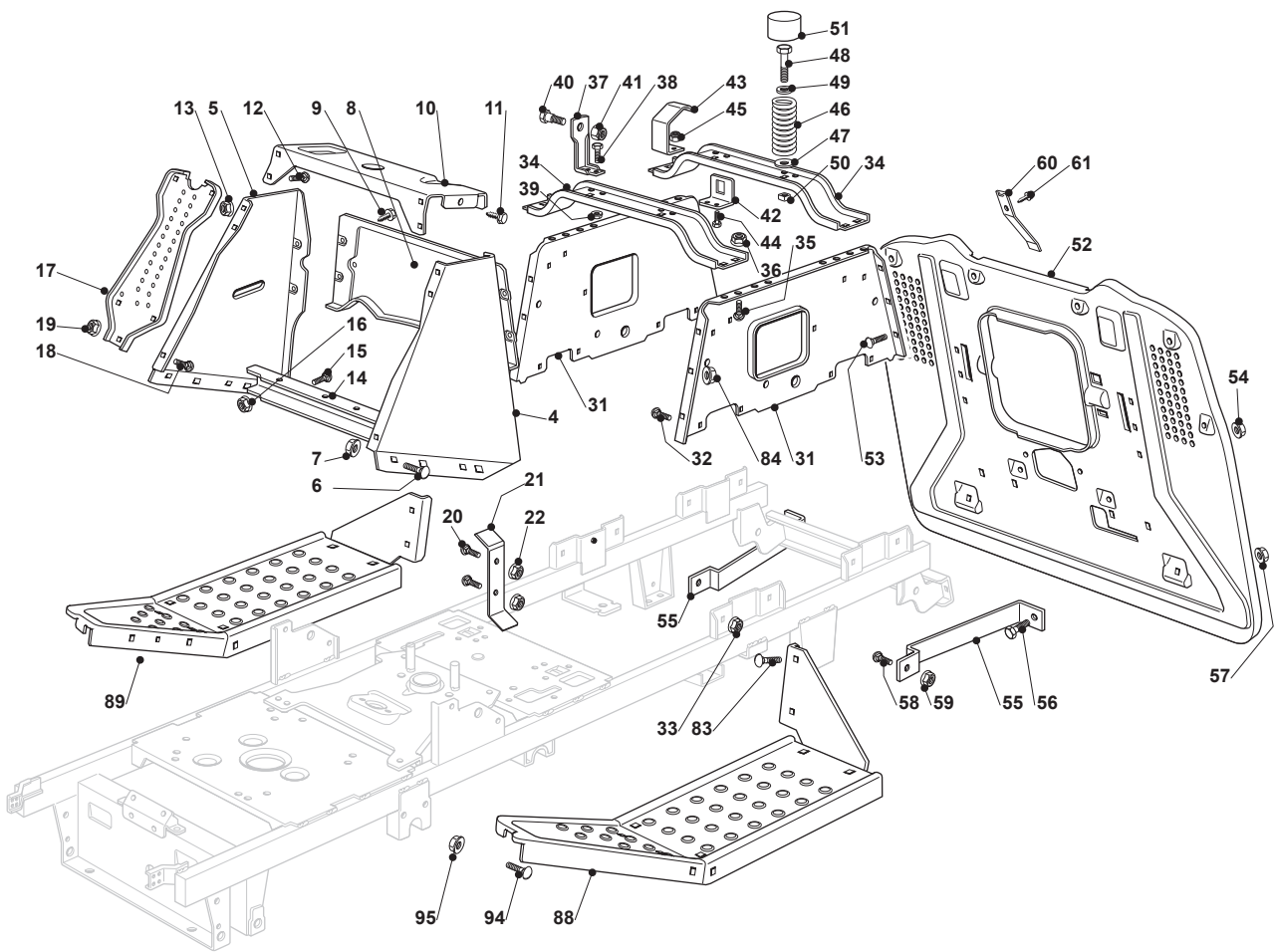
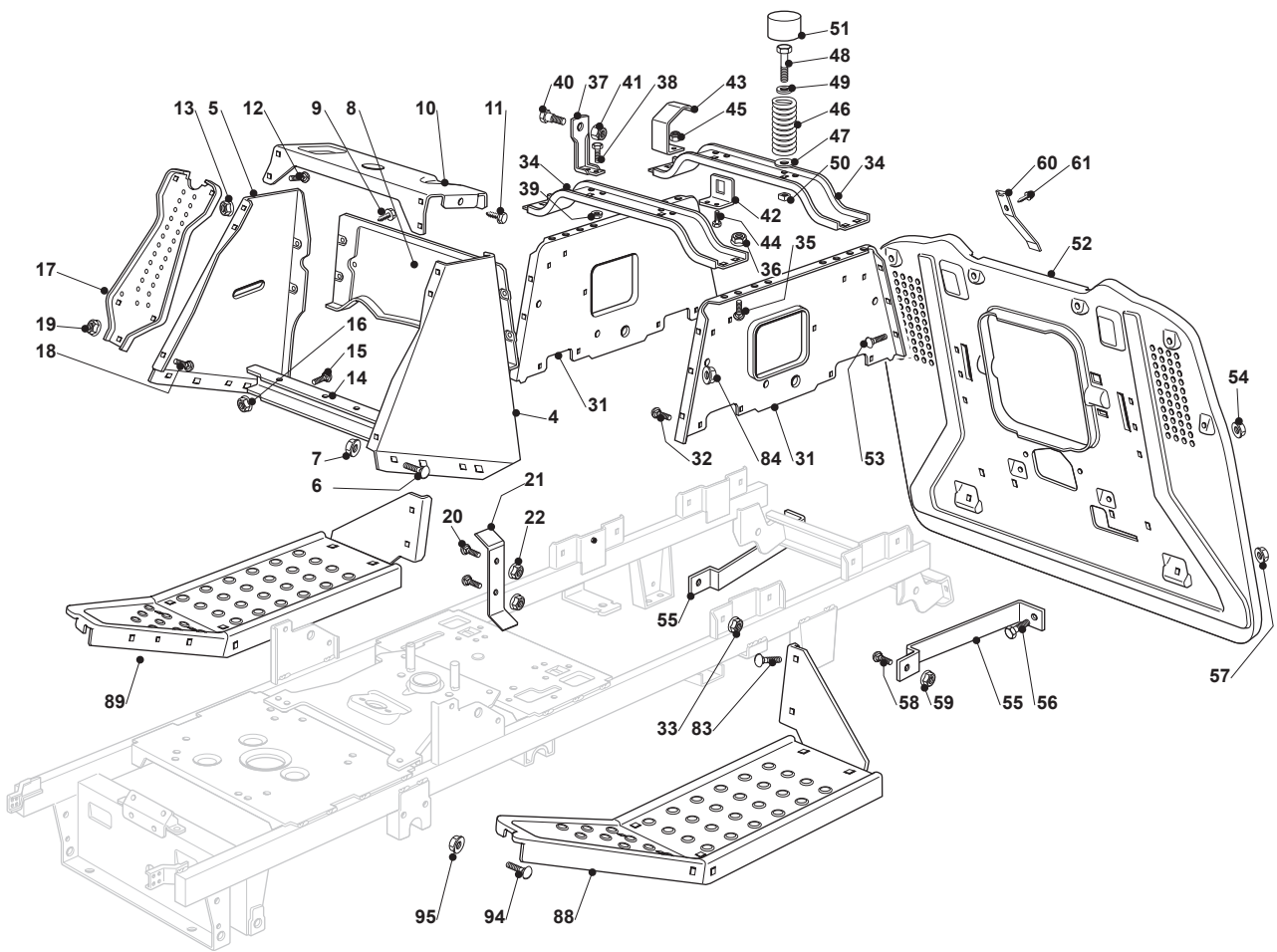


Fig.	Quantity	Part No	Description	Notes
4	1	325785243/1	Left Dashboard Support	
5	1	325785245/0	Right Dashboard Support	
6	4	112818690/0	Screw	
7	4	112293201/0	Nut	
8	1	382785151/2	Rear Dashboard Support	
9	4	112735110/0	Screw	
10	1	325785255/0	Central Dashboard Support	
11	2	112735110/0	Screw	
12	4	112815200/0	Screw	
13	4	112292102/0	Nut	
14	1	325785241/0	Support	
15	2	112815200/0	Screw	
16	2	112292102/0	Nut	
17	2	382785153/1	Front Dashboard Support	
18	2	112815200/0	Screw	
19	2	112292102/0	Nut	
20	2	112793102/0	Screw	
21	1	325785499/0	Support	
22	2	112293201/0	Nut	
31	2	325785249/1	Seat Support	
32	8	112815200/0	Screw	
33	8	112292102/0	Nut	
34	2	325785257/1	Seat Support	
35	8	112818690/0	Screw	
36	8	112293201/0	Nut	
37	2	325755039/0	Bracket	
38	4	112792611/0	Screw	
39	4	112293201/0	Nut	
40	2	122524970/2	Fulcrum Pin	
41	2	112155010/0	Nut	
42	1	325755043/0	Bracket	
43	1	325430253/0	Spring	
44	2	112789000/0	Screw	
45	2	112154330/0	Nut	
46	2	125430257/1	Spring	
47	2	112523070/0	Washer	
48	2	112760515/0	Screw	
49	2	122671653/0	Washer	
50	2	112360425/0	Nut	
51	2	325122000/2	Spring	
52	1	382547041/1	Plate	
53	6	112792611/0	Screw	
54	6	112293201/0	Nut	
55	2	325650147/0	Plate Stiffening	
56	2	112792611/0	Screw	
57	2	112293201/0	Nut	
58	2	112792611/0	Screw	
59	2	112293201/0	Nut	
60	1	125430276/0	Spring	
61	1	112735110/0	Screw	
83	4	112792611/0	Screw	





# NJX 102 HYDRO

Ride-on 102-122 Chassis - Low Version

Issue 10 - 2015

Fig.	Quantity	Part No	Description	Notes
84	4	112293201/0	Nut	
88	1	382510079/0	Left Footboard Support	
89	1	382510077/0	Right Footboard Support	
94	4	112815200/0	Screw	
95	4	112292102/0	Nut	

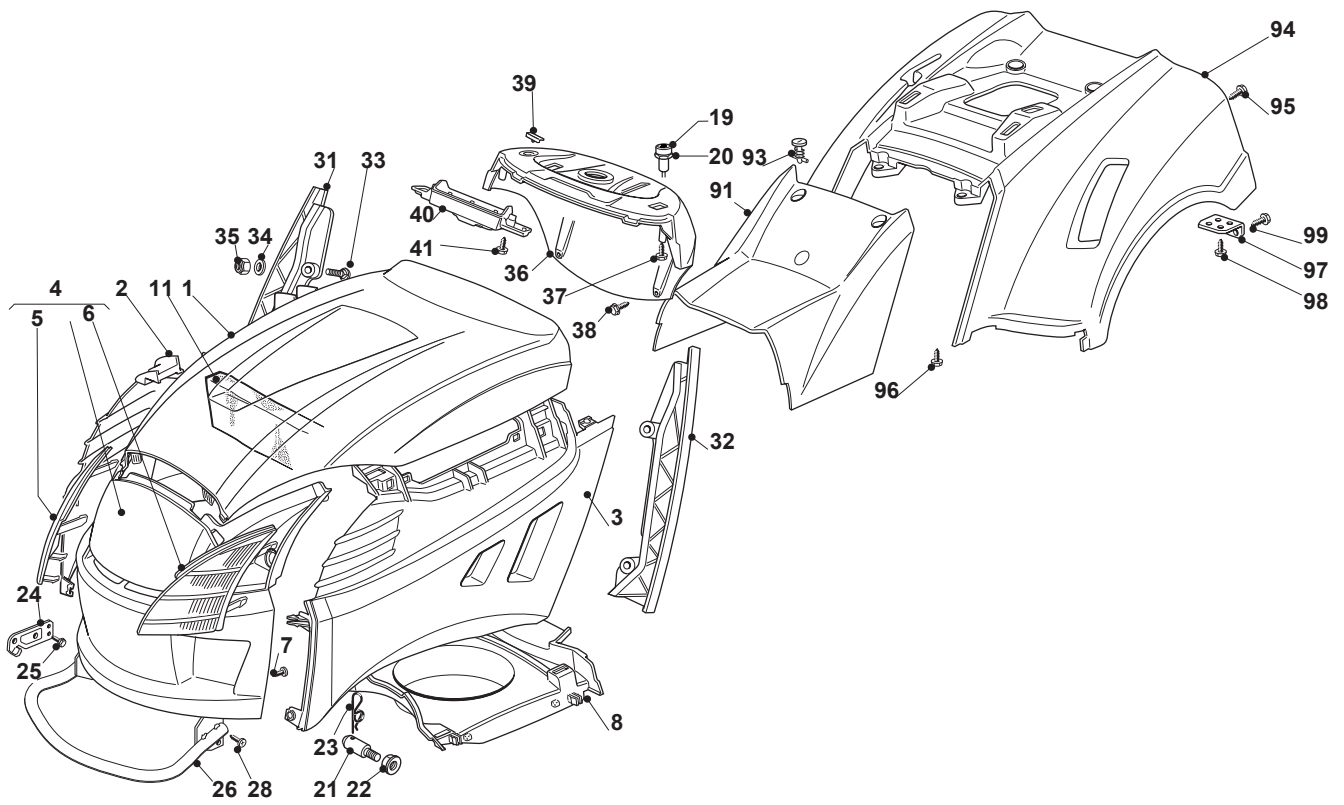


Fig.	Quantity	Part No	Description	Notes
1	1	325076858/0	Red Upper Bonnet	
2	1	325207120/1	Hood, Right	
3	1	325207121/1	Hood, Left	
4	1	382394607/0	Hood, Front	
5	1	325410874/0	Right Light Grill	
6	1	325410875/0	Left Light Plastic Cover Tc-Tcj	
7	6	112735405/0	Screw	
8	1	325108025/0	Conveyor	
11	1	125730016/0	Intake Separator	for Honda Engines
11	1	125730018/0	Intake Separator	for GGP-B&S Engines
19	1	325605003/0	Button	
20	1	325256250/0	Screwed Ring	
21	2	125510068/0	Pin	
22	2	112293201/0	Nut	
23	1	124487998/0	Cotter Pin	
24	2	325547109/2	Plate	
25	4	112731580/0	Screw	
26	1	382869029/1	Muffler Protection	
28	4	112734995/0	Screw	
31	1	325599012/0	Dashboard, Right Profile	
32	1	325599013/0	Left Dashboard Support	
33	4	112815221/0	Screw	
34	4	112521330/0	Washer	
35	4	112154510/0	Nut	
36	1	325120245/0	Dashboard	Black
36	1	325120240/0	Dashboard	Red
37	2	112728440/0	Screw	
38	2	112735402/0	Screw	
39	2	125260000/0	Grommet	
40	1	325600074/0	Card Protection	
41	2	112735402/0	Screw	
91	1	325110363/0	Cover, Red	
93	2	125580020/2	Stake	
94	1	325110322/0	Red Wheels Cover	
95	4	112735402/0	Screw	
96	2	112735402/0	Screw	
97	2	325755041/0	Bracket	
98	4	112728686/0	Screw	
99	2	112735110/0	Screw	

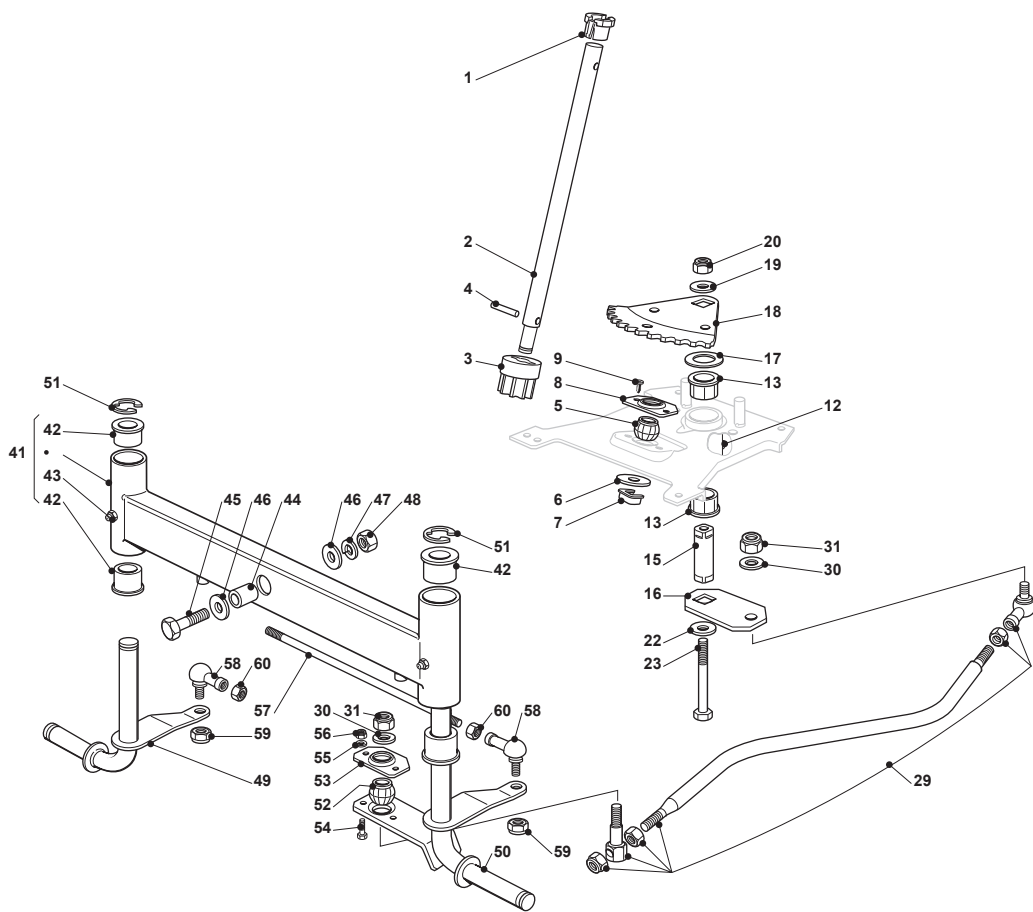


Fig.	Quantity	Part No	Description	Notes
1	1	325038004/0	Bushing	
2	1	125520006/1	Steering Column	
3	1	127570050/0	Pinion	
4	1	112622650/0	Dowel pin	
5	1	325743000/0	Joint	
6	1	112521370/0	Washer	
7	1	112436030/0	Plate	
8	1	325785213/1	Support	
9	2	112729601/1	Screw	
12	1	112379511/0	Grease Dispenser	
13	2	325040624/0	Bushing	
15	1	125510132/0	Pin	
16	1	325318281/0	Lever	
17	1	125670019/0	Washer	
18	1	325735513/0	Steering Sector	
19	1	112523080/0	Washer	
20	1	112155020/0	Nut	
22	1	112523080/0	Washer	
23	1	112794950/0	Screw	
29	1	382000610/0	Steering Rod	
30	2	112523070/0	Washer	
31	2	112155010/0	Nut	
41	1	382034036/0	Equalizer With Bush And Lubricator	
42	4	125034002/1	Bushing	
43	2	112379511/0	Grease Dispenser	
44	1	125160016/1	Spacer	
45	1	112692695/0	Screw	
46	2	112523100/0	Washer	
47	1	112587100/0	Grower	
48	1	112295300/0	Nut	
49	1	382230377/1	Right Stub Axle	
50	1	382230379/1	Left Stub Axle	
51	2	112001000/0	Benzing Ring	
52	1	325743000/0	Joint	
53	1	325785213/1	Support	
54	2	112791213/1	Screw	
55	2	112521330/0	Washer	
56	2	112154510/0	Nut	
57	1	125840023/0	Tie Rod	
58	2	122746609/0	Joint	
59	2	112156602/0	Nut	
60	2	112295201/0	Nut	

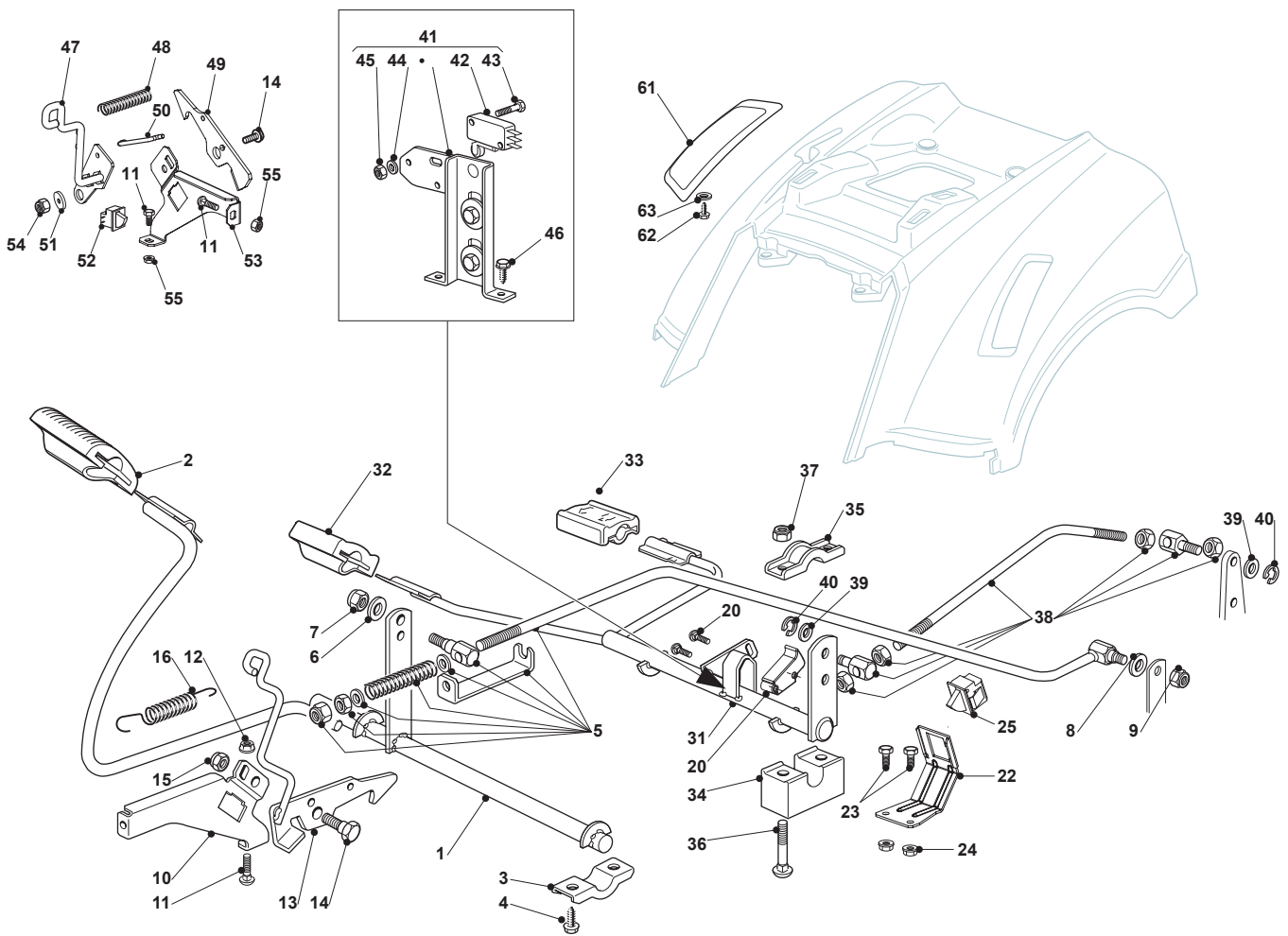


Fig.	Quantity	Part No	Description	Notes
13	1	382318289/0	Brake Lever I Rod	
1	1	382500037/1	Pedal	
2	1	325110416/0	Clamp Cover	
3	2	325547037/1	Plate	
4	4	112735599/0	Screw	
5	1	382000577/0	Rod	
6	1	112521350/0	Washer	
7	1	112155000/0	Nut	
8	1	112521350/0	Washer	
9	1	112155000/0	Nut	
10	1	325785261/0	Support	
11	2	112815200/0	Screw	
12	2	112292102/0	Nut	
14	1	122524970/3	Pin	
15	1	112155000/0	Nut	
16	1	125430213/0	Spring	
20	1	325060034/1	Cam	
21	2	112735404/0	Screw	
22	1	325547375/0	Plate	
23	2	112793102/0	Screw	
24	2	112293201/0	Nut	
25	1	119410614/0	Microswitch	
31	1	382000605/1	Drive Pedal	
32	1	325110417/0	Clamp Cover Front	
33	1	325110418/0	Clamp Cover Rear	
34	2	325785185/0	Support	
35	2	325547037/1	Plate	
36	4	112815245/0	Screw	
37	4	112154510/0	Nut	
38	1	382000609/0	Rod	
39	2	112523040/0	Washer	
40	2	112000940/0	Benzing Ring	
41	1	382394853/0	Switch Ass.Y	
42	1	119410609/0	Microswitch	
43	2	112735602/0	Screw	
44	2	112581100/0	Grower	
45	2	112290791/0	Nut	
46	2	112735110/0	Screw	
47	1	382318289/0	Brake Lever I Rod	
48	1	125430213/0	Spring	
49	1	325253007/1	Brake Hook	
50	1	125033119/0	Rod	
51	1	122041980/0	Bushing	
52	1	119410613/0	Microswitch	
53	1	325785261/0	Support	
54	1	112155010/0	Nut	
55	4	112292102/0	Nut	
61	1	325207171/0	Cover (Hydro)	
62	2	112735402/0	Screw	
63	4	112523050/0	Washer	

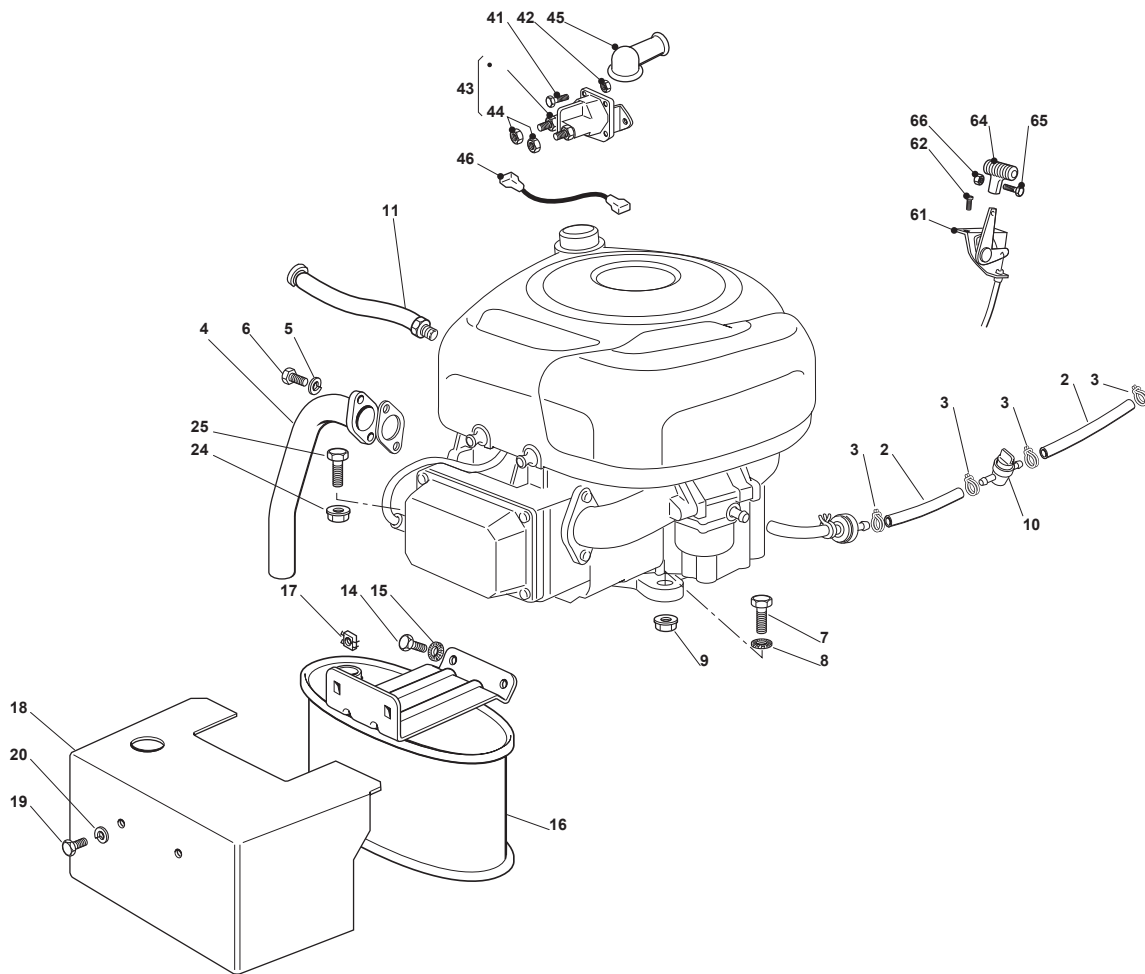




Fig.	Quantity	Part No	Description	Notes
2	1	325869057/0	Connecting Tube	
3	4	118375051/1	Fair Led	
4	1	118738224/0	Exhaust Conn. Tube	
5	2	112583500/0	Grower	
6	2	112735530/0	Screw	
7	1	112691115/0	Screw	
8	1	112540260/0	Grower	
9	1	112154210/0	Nut	
10	1	118562996/0	Shut out valve	
11	1	1134-5827-01	Oil Drain Assy	
14	2	112793102/0	Screw	
15	2	112540260/0	Grower	
16	1	182750010/0	Muffler	
17	2	112360425/0	Nut	
18	1	382598009/2	Muffler Protection	
19	2	112792611/0	Screw	
20	2	112583500/0	Grower	
24	3	112154210/0	Nut	
25	3	112691100/0	Screw	
41	2	112791213/1	Screw	
42	2	112292102/0	Nut	
43	1	118736110/0	Starter Relay	
44	2	112360352/0	Nut	
45	1	118564861/1	Protection	
46	1	125065017/0	Cable	
61	1	182000200/1	Throttle Cable	
62	2	125943012/0	Screw	
64	1	325592000/0	Knob	
65	1	112726388/0	Screw	
66	1	112290800/0	Nut	

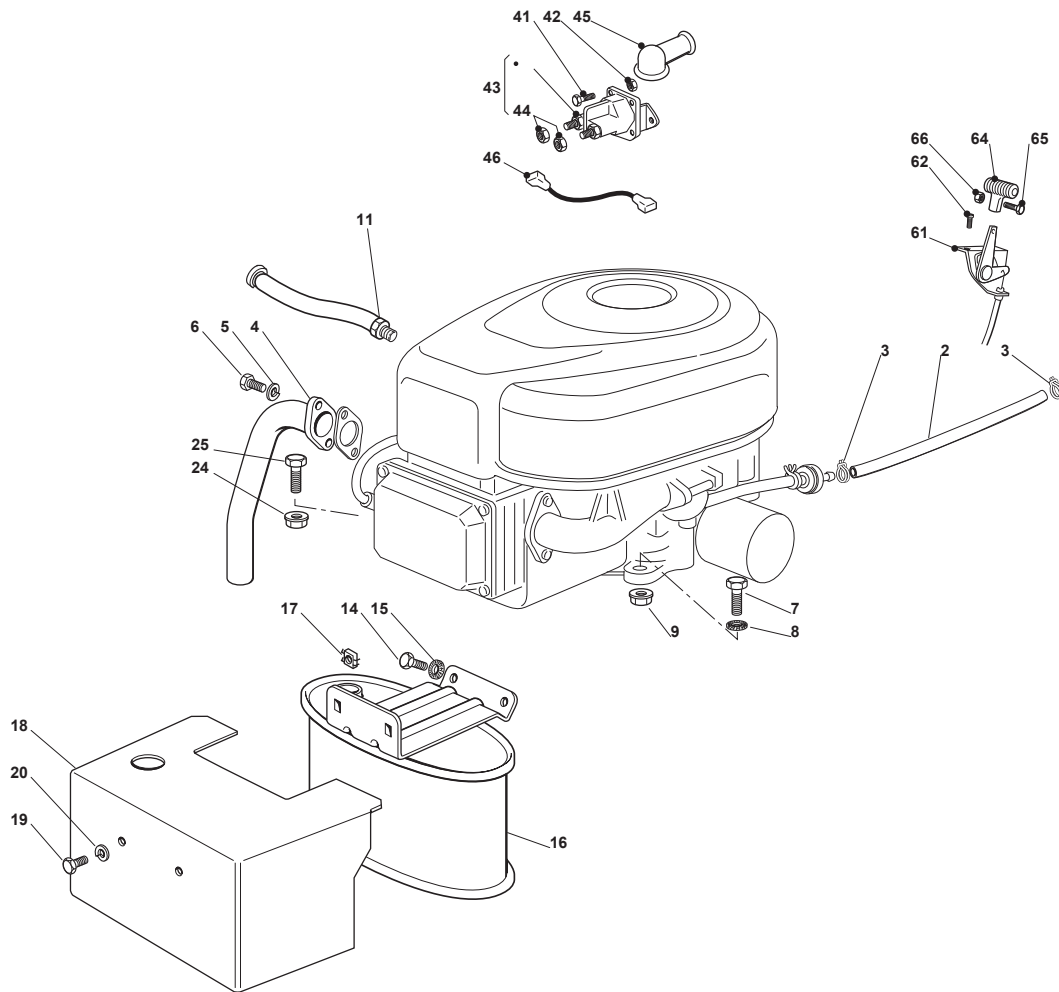


Fig.	Quantity	Part No	Description	Notes
2	1	325869057/0	Connecting Tube	
3	2	118375051/1	Fair Led	
4	1	118738206/0	Exhaust Discharge Tube	
5	2	112583500/0	Grower	
6	2	112735530/0	Screw	
7	1	112691115/0	Screw	
8	1	112540260/0	Grower	
9	1	112154210/0	Nut	
11	1	1134-5827-01	Oil Drain Assy	
14	2	112793102/0	Screw	
15	2	112540260/0	Grower	
16	1	182750010/0	Muffler	
17	2	112360425/0	Nut	
18	1	382598009/2	Muffler Protection	
19	2	112792611/0	Screw	
20	2	112583500/0	Grower	
24	3	112154210/0	Nut	
25	3	112691100/0	Screw	
41	2	112791213/1	Screw	
42	2	112292102/0	Nut	
43	1	118736110/0	Starter Relay	
44	2	112360352/0	Nut	
45	1	118564861/1	Protection	
46	1	125065017/0	Cable	
61	1	182000200/1	Throttle Cable	
62	2	125943012/0	Screw	
64	1	325592000/0	Knob	
65	1	112726388/0	Screw	
66	1	112290800/0	Nut	

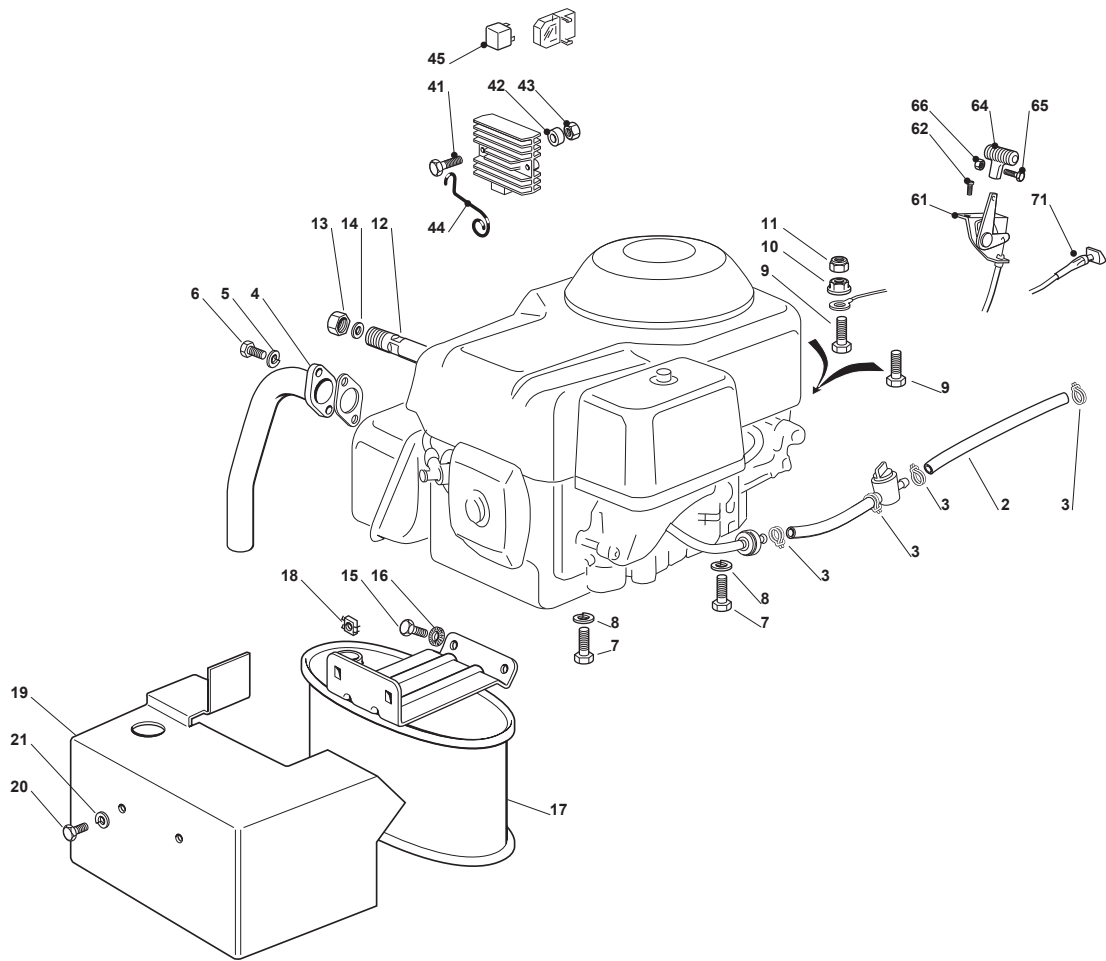


Fig.	Quantity	Part No	Description	Notes
2	1	325869057/0	Connecting Tube	
3	4	118375051/1	Fair Led	
4	1	118738204/0	Exhaust Discharge Tube	
5	2	112583500/0	Grower	
6	2	112793102/0	Screw	
7	2	112735802/0	Screw	
8	2	112583500/0	Grower	
9	2	112691100/0	Screw	
10	2	112154210/0	Nut	
11	1	112155000/0	Nut	
12	1	127598061/1	Oil Discharge Extension	
13	1	118737849/0	Plug	
14	1	118401001/1	Oil Seal	
15	2	112792611/0	Screw	
16	2	112540260/0	Grower	
17	1	182750010/0	Muffler	
18	2	112360425/0	Nut	
19	1	382598003/1	Muffler Protection	
20	2	125943012/0	Screw	
21	2	112583500/0	Grower	
41	2	112815221/0	Screw	
42	2	122170950/0	Spacer	
43	2	112292102/0	Nut	
44	1	127430561/0	Spring	
45	1	133567000/0	Relay	
61	1	182000200/1	Throttle Cable	
62	2	112788512/0	Screw	
64	1	125394501/0	Knob	
65	1	112726388/0	Screw	
66	1	112290800/0	Nut	
71	1	125090007/0	Choke Control	

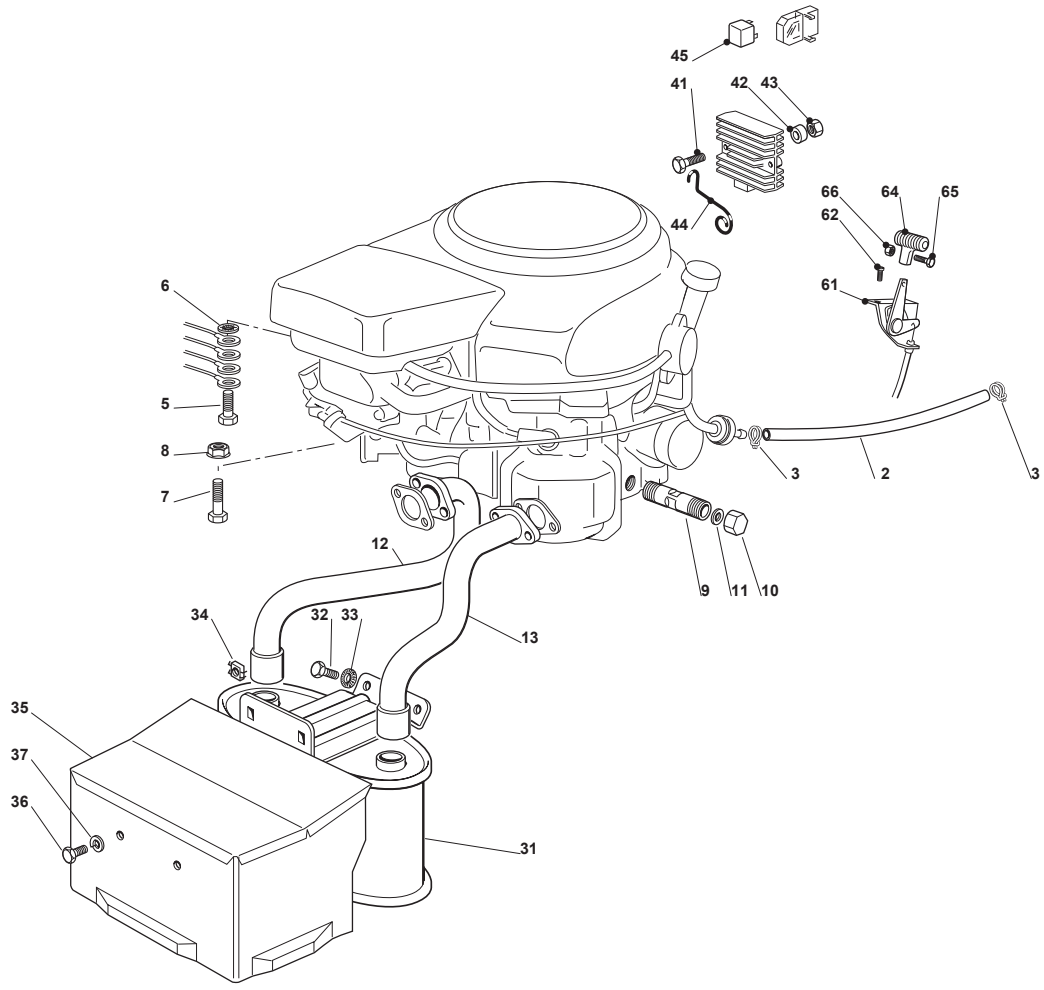


Fig.	Quantity	Part No	Description	Notes
2	1	325869057/0	Connecting Tube	
3	2	118375051/1	Fair Led	
5	1	112735599/0	Screw	
6	1	112540260/0	Grower	
7	4	112691115/0	Screw	
8	4	112154210/0	Nut	
10	1	118737849/0	Plug	
11	1	118401001/1	Oil Seal	
12	1	118738221/0	Exhaust Tube Right	
13	1	118738222/0	Right Exhaust Connection	
31	1	182750003/0	Muffler Assy	
32	2	112793102/0	Screw	
33	2	112540260/0	Grower	
34	2	112360425/0	Nut	
35	1	382598005/2	Muffler Protection	
36	2	112792611/0	Screw	
37	2	112583500/0	Grower	
41	2	112815221/0	Screw	
42	2	122170950/0	Spacer	
43	2	112292102/0	Nut	
44	1	127430561/0	Spring	
45	1	133567000/0	Relay	
61	1	182000200/1	Throttle Cable	
62	2	125943012/0	Screw	
64	1	125394501/0	Knob	
65	1	112726388/0	Screw	
66	1	112290800/0	Nut	

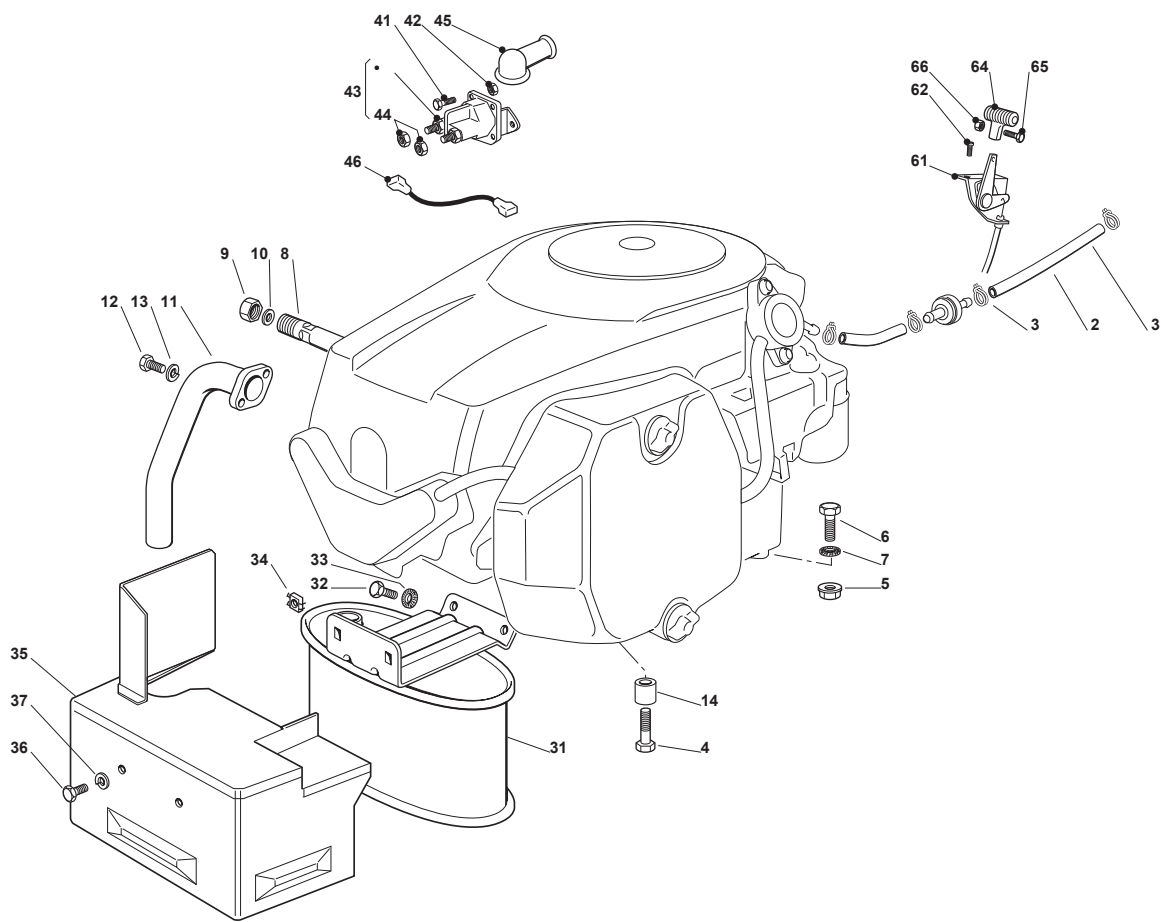




Fig.	Quantity	Part No	Description	Notes
2	1	325869057/0	Connecting Tube	
3	2	118375051/1	Fair Led	
4	3	112735108/1	Screw	
5	1	112154210/0	Nut	
6	1	112691115/0	Screw	
7	1	112540260/0	Grower	
8	1	127598060/0	Oil Discharge Extension	
9	1	118737849/0	Plug	
10	1	118401001/1	Oil Seal	
11	1	118738227/0	Exhaust Pipe Kohler 16-18	
12	2	112735530/0	Screw	
13	2	112583500/0	Grower	
14	3	125160035/0	Spacer	
31	1	182750010/0	Muffler	
32	2	112793102/0	Screw	
33	2	112540260/0	Grower	
34	2	112360425/0	Nut	
35	1	382598029/0	Muffler Protection	
36	2	112792611/0	Screw	
37	2	112583500/0	Grower	
41	2	112791213/1	Screw	
42	2	112292102/0	Nut	
43	1	118736110/0	Starter Relay	
44	2	112360352/0	Nut	
45	1	118564864/1	Protection	
46	1	125065017/0	Cable	
61	1	182000200/1	Throttle Cable	
62	2	125943012/0	Screw	
64	1	125394501/0	Knob	
65	1	112726388/0	Screw	
66	1	112290800/0	Nut	

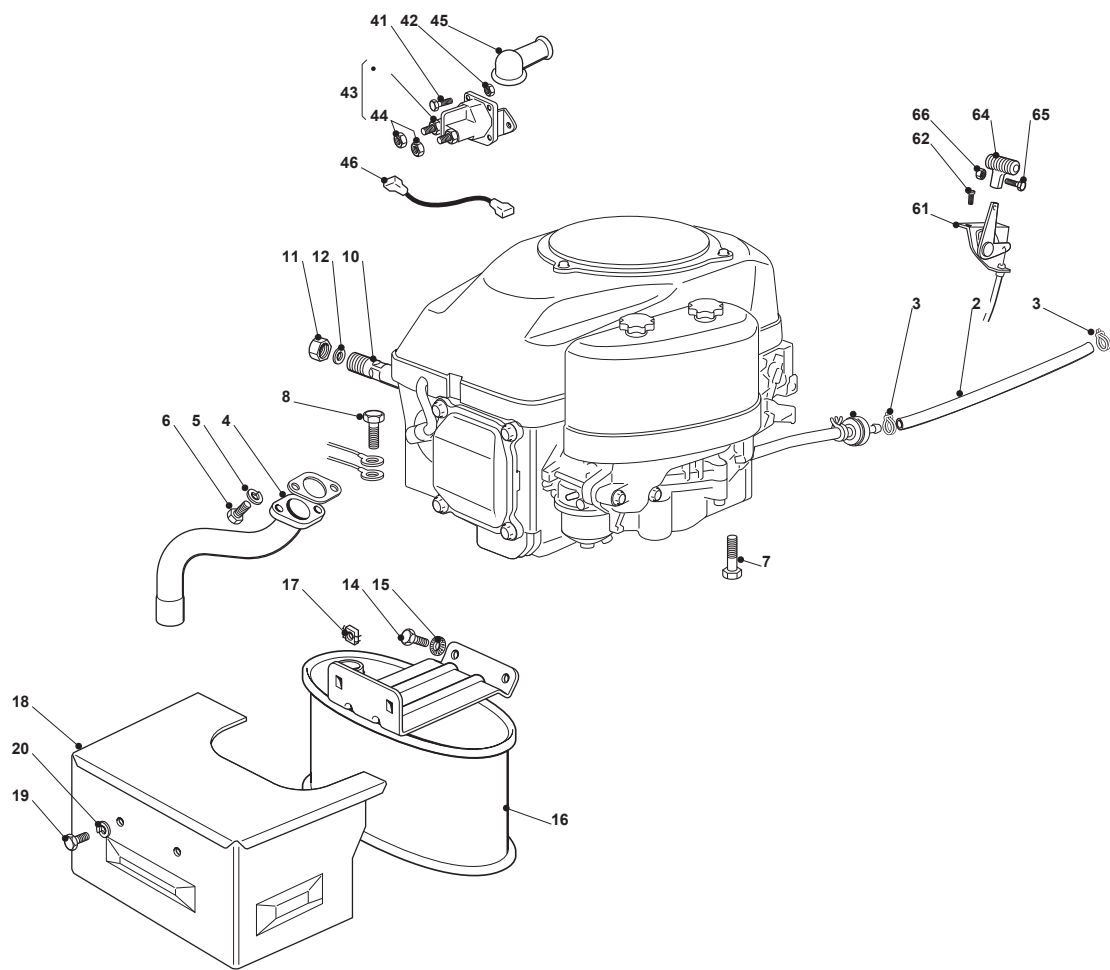


Fig.	Quantity	Part No	Description	Notes
2	1	325869057/0	Connecting Tube	
3	4	118375051/1	Fair Led	
4	1	118738231/1	Exhaust Tube	
5	2	112583500/0	Grower	
6	2	112737450/0	Screw	
7	4	112735108/1	Screw	
8	1	112735599/0	Screw	
10	1	127598060/0	Oil Discharge Extension	
11	1	118737849/0	Plug	
12	1	118401001/1	Oil Seal	
14	2	112793102/0	Screw	
15	2	112540260/0	Grower	
16	1	182750010/0	Muffler	
17	2	112360425/0	Nut	
18	1	382598039/0	Guard	
19	2	112792611/0	Screw	
20	2	112583500/0	Grower	
41	2	112791213/1	Screw	
42	2	112292102/0	Nut	
43	1	118736110/0	Starter Relay	
44	2	112360352/0	Nut	
45	1	118564864/1	Protection	
46	1	125065017/0	Cable	
61	1	182000212/0	Accelerator	
62	2	125943012/0	Screw	
64	1	125394501/0	Knob	
65	1	112726388/0	Screw	
66	1	112290800/0	Nut	

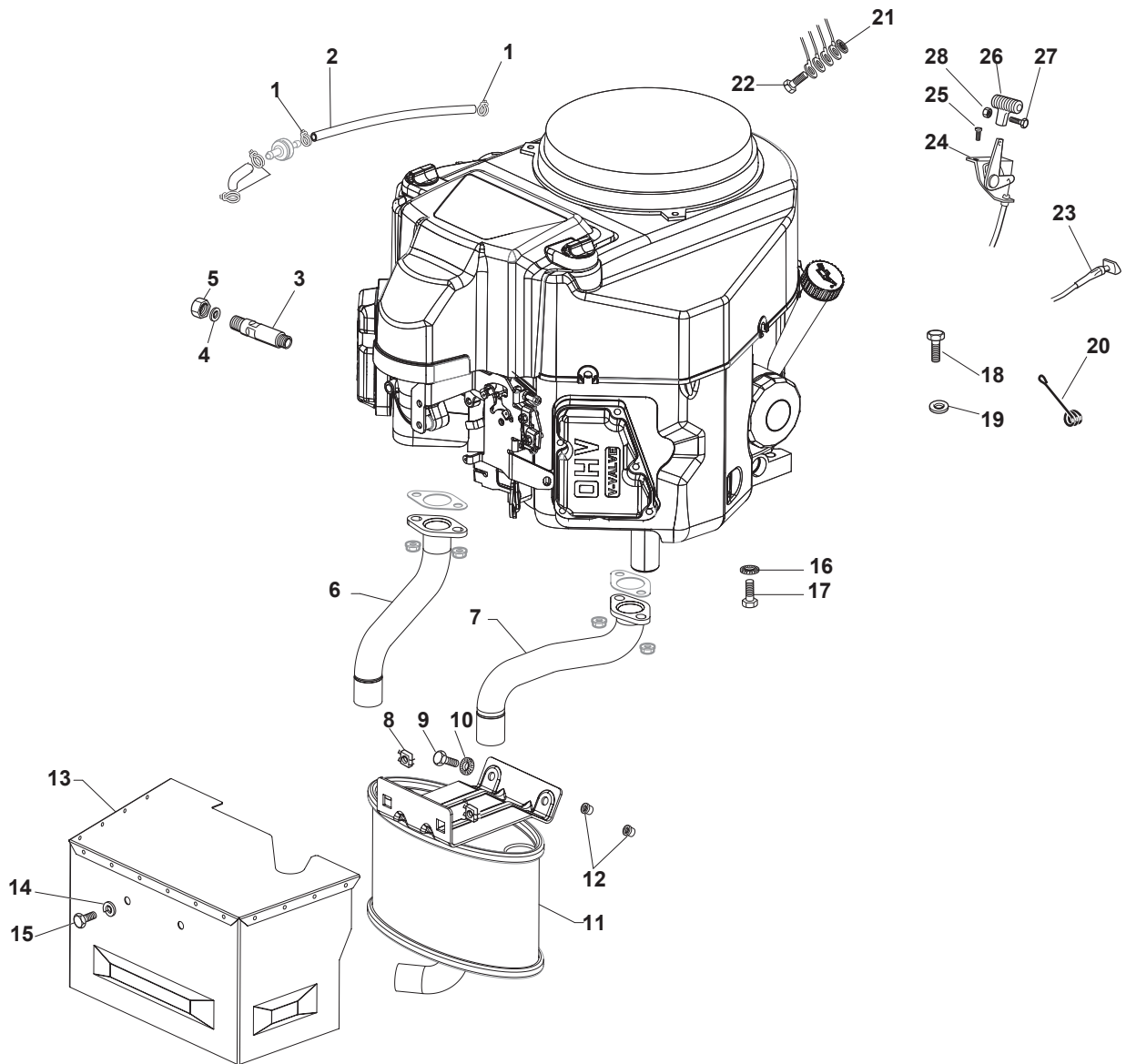


Fig.	Quantity	Part No	Description	Notes
1	2	118375051/1	Fair Led	
2	1	138780531/0	Fuel Tube	
3	1	125598050/0	Oil Discharge Extension	
4	1	118401001/1	Oil Seal	
5	1	118737849/0	Plug	
6	1	118738256/0	Left Exhaust Connection	
7	1	118738257/0	Right Exhaust Connection	
8	3	112360425/0	Nut	
9	3	112793102/0	Screw	
10	2	112540260/0	Grower	
11	1	182750014/0	Muffler	
12	2	112280100/0	Nut	
13	1	382598065/0	Muffler Protection	
14	2	112792611/0	Screw	
15	2	112583500/0	Grower	
16	4	112540070/0	Washer	
17	4	112735821/0	Screw	
18	1	112792611/0	Screw	
19	1	112521350/0	Washer	
20	1	125430252/0	Spring	
21	3	112540260/0	Grower	
22	3	112793102/0	Screw	
23	1	112540260/0	Grower	
24	1	182000201/2	Accelerator	
25	2	125943012/0	Screw	
26	1	325592000/0	Knob	
27	1	112726388/0	Screw	
28	1	112290800/0	Nut	

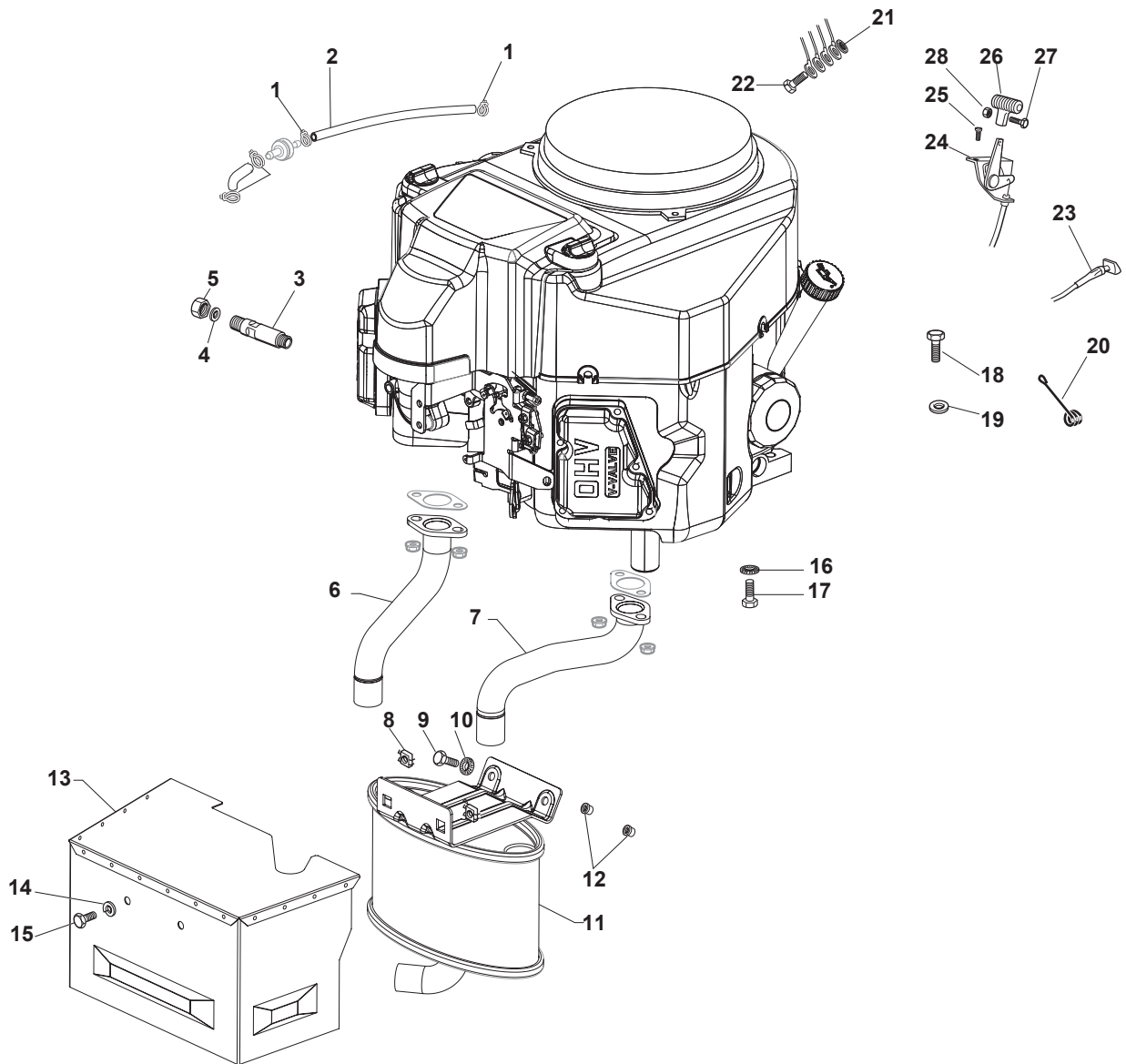


Fig.	Quantity	Part No	Description	Notes
1	2	118375051/1	Fair Led	
2	1	138780531/0	Fuel Tube	
3	1	125598060/0	Oil Discharge Extension	
4	1	118401001/1	Oil Seal	
5	1	118737849/0	Plug	
6	1	118738256/0	Left Exhaust Connection	
7	1	118738257/0	Right Exhaust Connection	
8	3	112360425/0	Nut	
9	3	112793102/0	Screw	
10	2	112540260/0	Grower	
11	1	182750003/0	Muffler Assy	
12	2	112280100/0	Nut	
13	1	382598065/0	Muffler Protection	
14	2	112792611/0	Screw	
15	2	112583500/0	Grower	
16	4	112540070/0	Washer	
17	4	112735821/0	Screw	
18	1	112792611/0	Screw	
19	1	112521350/0	Washer	
20	1	125430252/0	Spring	
21	3	112540260/0	Grower	
22	3	112793102/0	Screw	
23	1	112540260/0	Grower	
24	1	182000201/2	Accelerator	
25	2	125943012/0	Screw	
26	1	325592000/0	Knob	
27	1	112726388/0	Screw	
28	1	112290800/0	Nut	

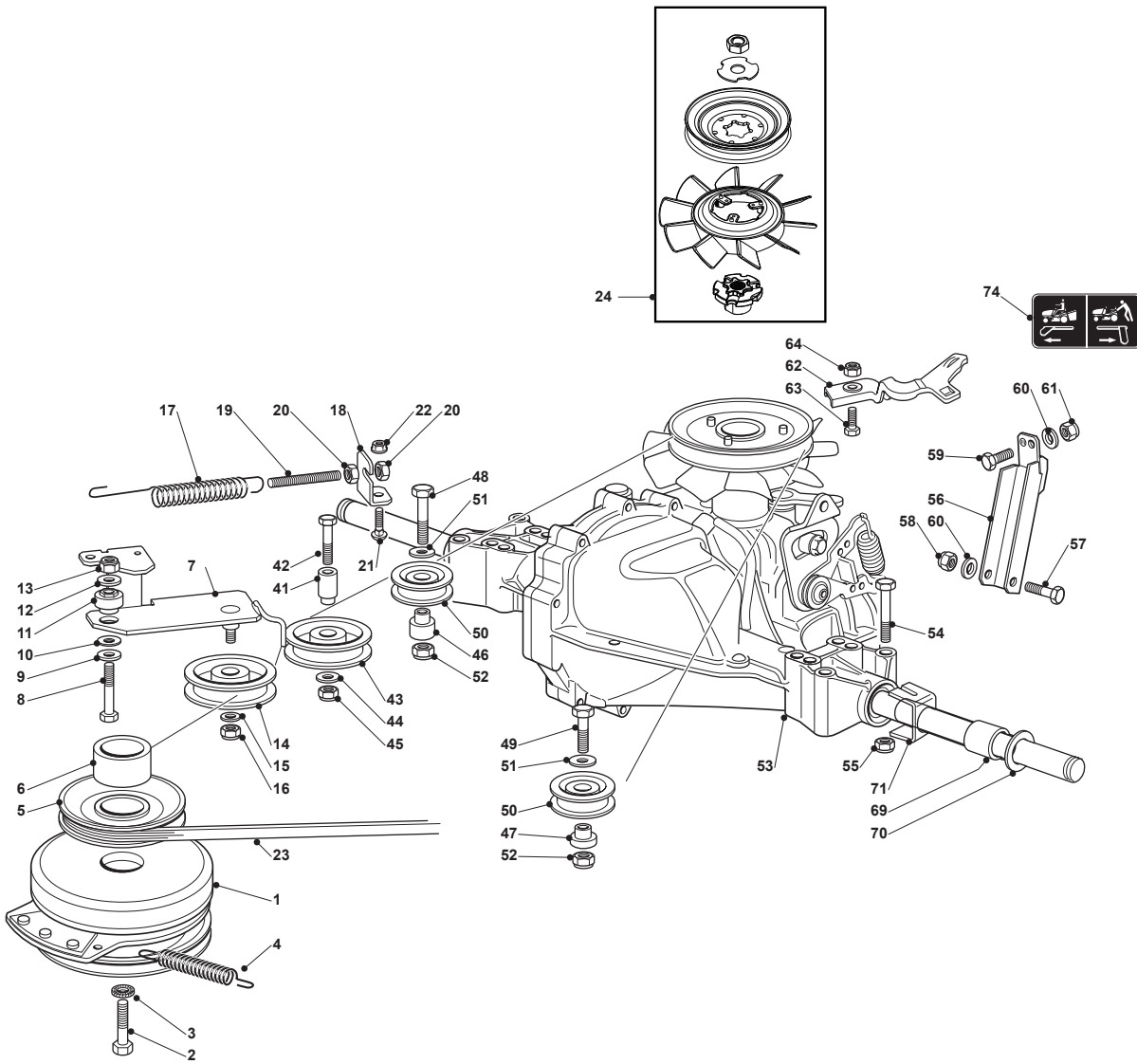
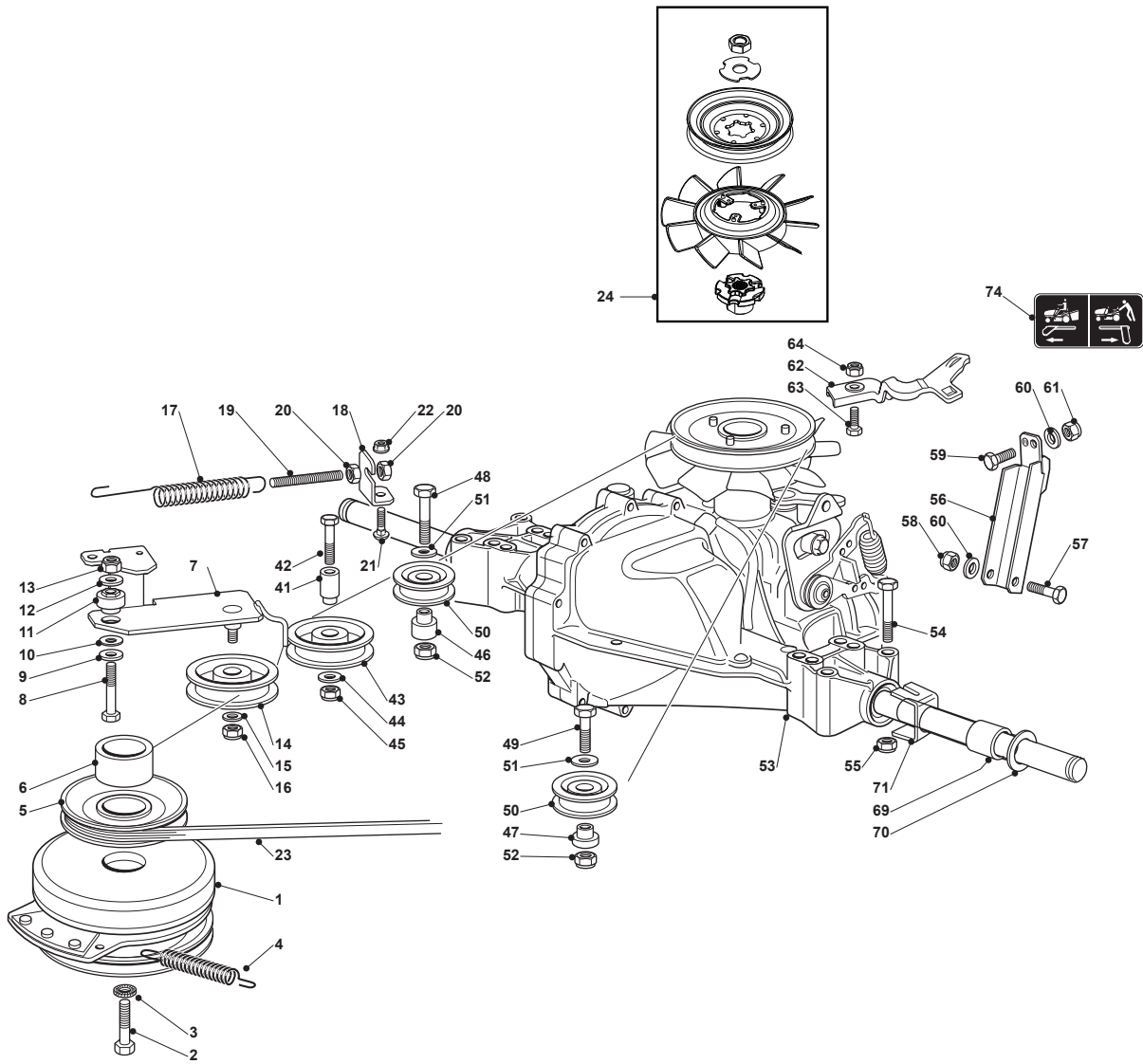




Fig.	Quantity	Part No	Description	Notes
1	1	118399062/0	Electromagnetic Clutch	
2	1	112737320/0	Screw	
3	1	112543000/0	Washer	
4	1	122430216/1	Spring	
5	1	125601577/0	Pulley	
6	1	125160021/0	Spacer	
7	1	382318217/0	Lever	
8	1	112691115/0	Screw	
9	1	112523060/0	Washer	
10	1	327670055/0	Antifriction Washer	
11	1	125510087/0	Pin	
12	1	112523060/0	Washer	
13	1	112155000/0	Nut	
14	1	125601554/0	Pulley	
15	1	112523060/0	Washer	
16	1	112155000/0	Nut	
17	1	125430260/0	Spring	
18	1	325755049/0	Bracket	
19	1	125840005/0	Tie Rod	
20	2	112293200/0	Nut	
21	1	112818690/0	Screw	
22	1	112293201/0	Nut	
23	1	135062014/0	Belt	
24	1	118802723/0	Fan Kit	
41	1	125160081/0	Pin	
42	1	112691800/0	Screw	
43	1	325601599/0	Pulley	
44	1	112523060/0	Washer	
45	1	112155000/0	Nut	
46	1	125160024/2	Right Spacer	
47	1	125160018/1	Left Spacer	
48	1	112691400/0	Screw	
49	1	112691115/0	Screw	
50	2	125601588/0	Pulley	
51	2	122671653/0	Washer	
52	2	112155000/0	Nut	
53	1	118400919/2	Rear Axle (Hydro-Gear T2-Adbf-2X3C-17X1)	
54	4	112691600/0	Screw	
55	4	112154210/0	Nut	
56	1	382785201/0	Support	
57	1	112691700/0	Screw	
58	1	112155000/0	Nut	
59	1	112793701/0	Screw	
60	2	112523060/0	Washer	
61	1	112155000/0	Nut	
62	1	325318257/0	Lever	
63	1	112791213/1	Screw	
64	1	112154210/0	Nut	
69	2	125160058/0	Spacer	
70	2	125670005/1	Washer	
71	2	325670025/0	Washer	



# NJX 102 HYDRO

Ride-on 102-122 Transmission

Issue 10 - 2015

Fig.	Quantity	Part No	Description	Notes
74	1	114361451/0	Label	

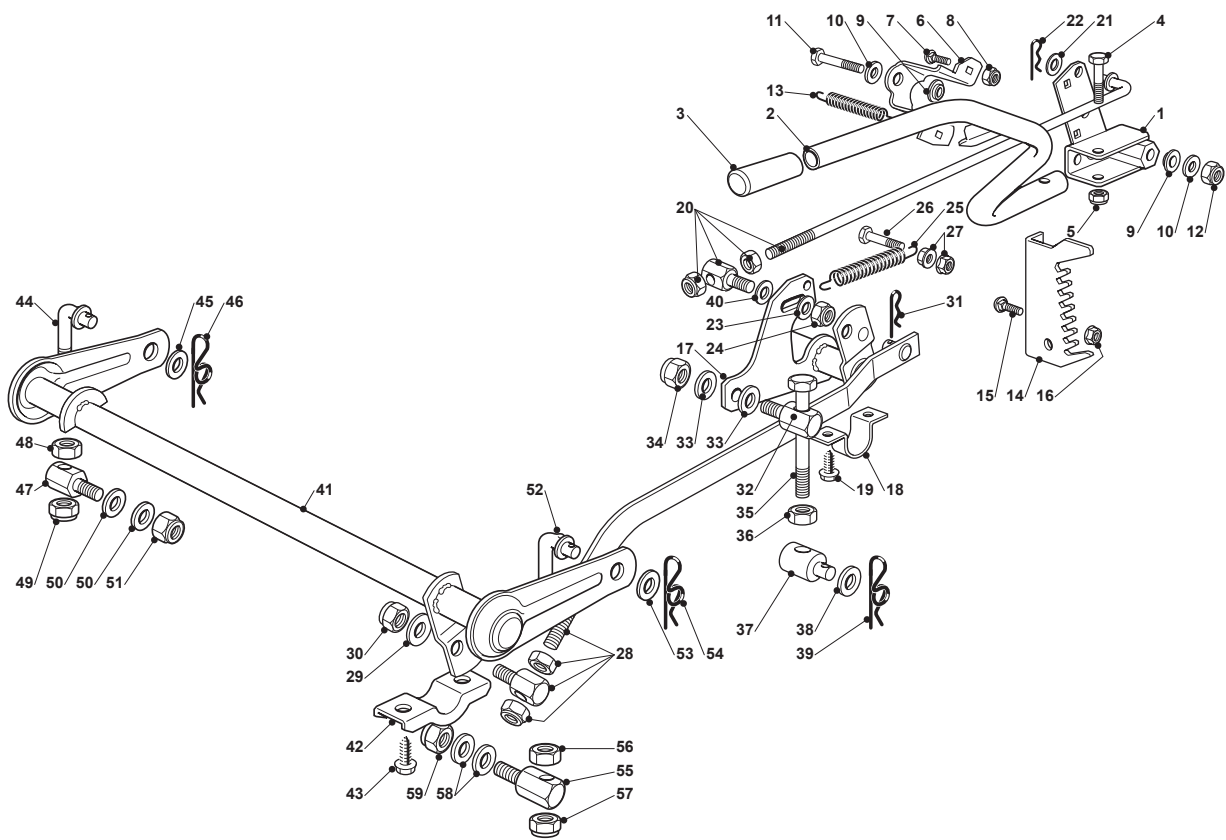
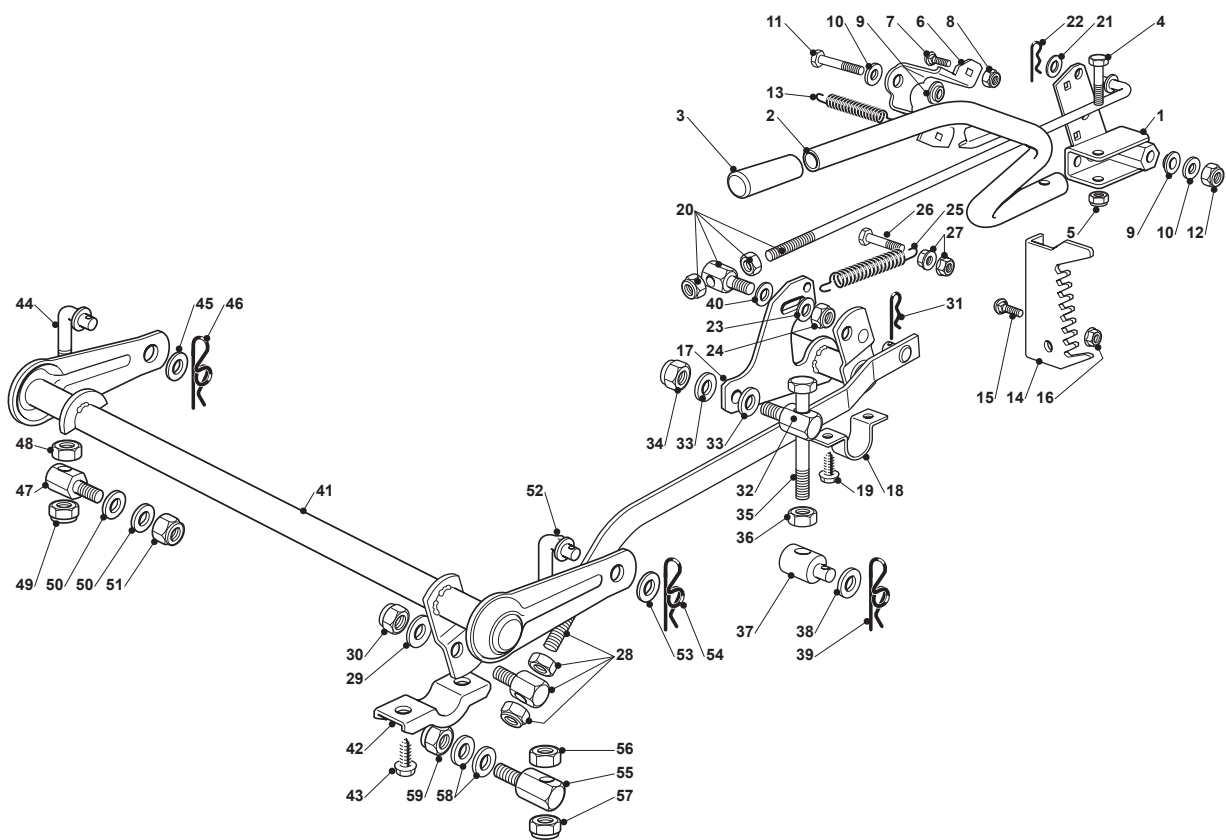


Fig.	Quantity	Part No	Description	Notes
1	1	382774249/0	Clamp	
2	1	382318219/1	Lever	
3	1	125394508/0	Knob	
4	1	112674700/0	Screw	
5	1	112154510/0	Nut	
6	1	325650113/0	Plate	
7	2	112818690/0	Screw	
8	2	112155000/0	Nut	
9	2	122041980/0	Bushing	
10	2	112523060/0	Washer	
11	1	112691600/0	Screw	
12	1	112155000/0	Nut	
13	1	125430259/0	Spring	
14	1	325735511/0	Sector	
15	2	112818690/0	Screw	
16	2	112293201/0	Nut	
17	1	382000387/0	Axle	
18	2	325547041/1	Plate	
19	4	112731580/0	Screw	
20	1	382000618/0	Rod	
21	1	325670011/0	Antifriction Washer	
22	1	124487997/0	Cotter Pin	
23	1	112523040/0	Washer	
24	1	112154210/0	Nut	
25	1	122446402/0	Spring	
26	1	112792410/0	Screw	
27	2	112292102/0	Nut	
28	1	382000589/0	Connecting Rod	
29	2	325670008/1	Washer	
30	1	112156602/0	Nut	
31	1	124487998/0	Cotter Pin	
32	1	125510070/0	Pin	
33	2	325670008/1	Washer	
34	1	112156602/0	Nut	
35	2	125840031/0	Tie Rod	
36	2	112295200/0	Nut	
37	2	125510070/0	Pin	
38	2	112523090/0	Washer	
39	2	124487998/0	Cotter Pin	
40	2	112521360/0	Washer	
41	1	382000587/0	Axle	
42	2	327546015/2	Plate	
43	4	112731350/0	Screw	
44	1	125840024/0	Tie Rod	
45	1	325670008/1	Washer	
46	1	124487998/0	Cotter Pin	
47	1	125510098/0	Pin	
48	1	112295200/0	Nut	
49	1	112156602/0	Nut	
50	2	325670008/1	Washer	
51	1	112156602/0	Nut	



# NJX 102 HYDRO

Ride-on 102-122 Cutting Plate Lifting

Issue 10 - 2015

Fig.	Quantity	Part No	Description	Notes
52	1	125840025/0	Tie Rod	
53	1	325670008/1	Washer	
54	1	124487998/0	Cotter Pin	
55	1	125510090/0	Pin	
56	1	112295200/0	Nut	
57	1	112156602/0	Nut	
58	2	325670008/1	Washer	
59	1	112156602/0	Nut	

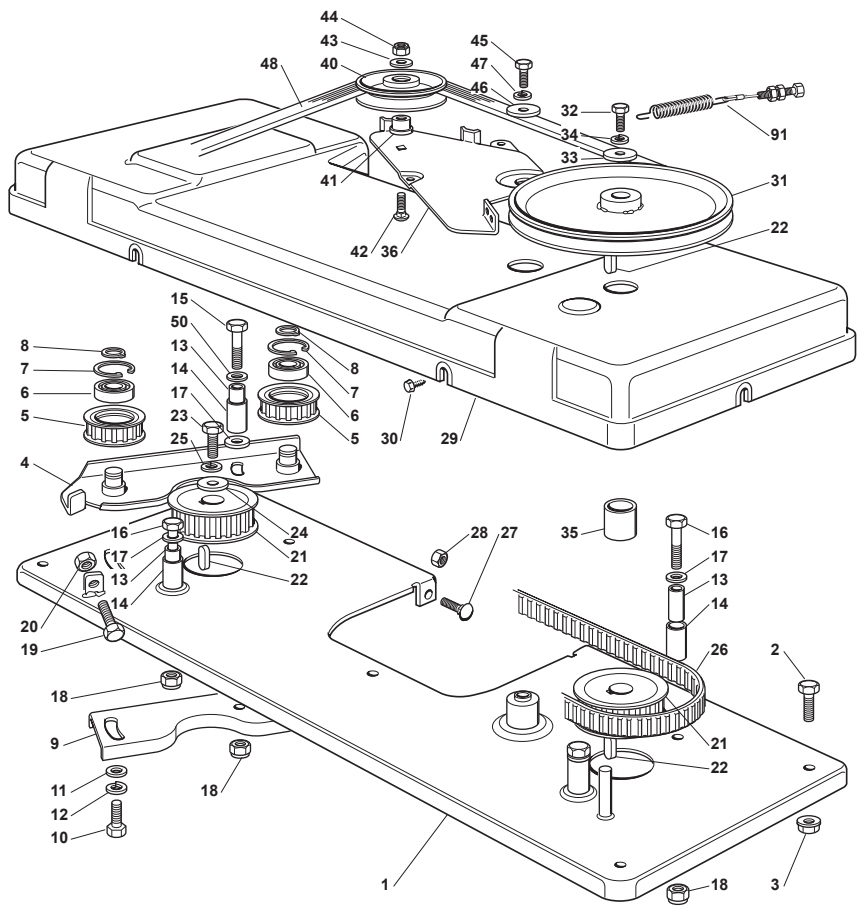




Fig.	Quantity	Part No	Description	Notes
1	1	382547029/0	Plate	
2	4	112792611/0	Screw	
3	4	112293201/0	Nut	
4	1	382785084/1	Support	
5	2	125601559/1	Toothed Pulley	
6	2	119216048/0	Bearing	
7	2	112610800/0	Seeger	
8	2	112609200/0	Seeger	
9	1	325650037/0	Pulley Stiffening	
10	2	112793102/0	Screw	
11	2	112521350/0	Washer	
12	2	112583500/0	Grower	
13	4	125160003/0	Spacer	
14	4	125038000/0	Bushing	
15	1	112691700/0	Screw	
16	3	112691200/0	Screw	
17	4	112521350/0	Washer	
18	4	112155000/0	Nut	
19	1	112793900/0	Screw	
20	1	112293200/0	Nut	
21	2	125601560/0	Pulley	
22	3	112139480/0	Feather	
23	1	112793102/0	Screw	
24	1	125670007/0	Washer	
25	1	112583500/0	Grower	
26	1	135065600/0	Belt	
27	3	112815200/0	Screw	
28	3	112292102/0	Nut	
29	1	125060100/3	Protection	
30	6	112735110/0	Screw	
31	1	125601550/0	Pulley	
32	1	112793102/0	Screw	
33	1	125670007/0	Washer	
34	1	112583500/0	Grower	
35	1	125160002/0	Spacer	
36	1	325318115/1	Lever	
40	1	325601599/0	Pulley	
41	1	125160079/0	Spacer	
42	1	112818900/0	Screw	
43	1	112523060/0	Washer	
44	1	112155000/0	Nut	
45	1	112793102/0	Screw	
46	1	112523070/0	Washer	
47	1	112583500/0	Grower	
48	1	135062811/0	Belt	
50	1	112523060/0	Washer	
91	1	182004608/0	Engagging Cable	

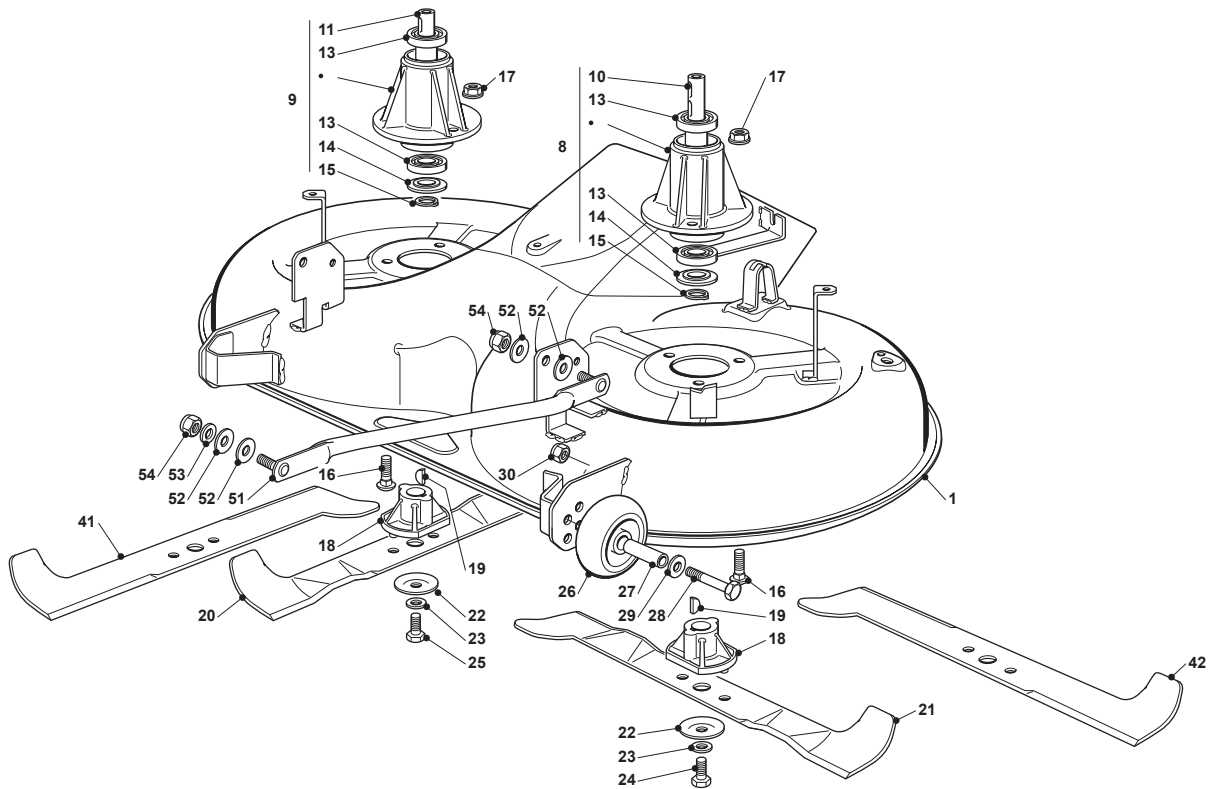


Fig.	Quantity	Part No	Description	Notes
1	1	382564151/0	Cutting Plate Black	
8	1	382207200/1	Flange Assy	
9	1	382207201/2	Support Shaft Tc	
10	1	125020800/1	Main Blade Shaft	
11	1	125020801/2	Secondary Blade Shaft	
13	4	119216047/0	Bearing	
14	2	325160501/0	Dust Cover Disc	
15	2	112609260/0	Seeger	
16	6	112818700/0	Screw	
17	6	112154210/0	Nut	
18	2	125463200/0	Blade Hub	
19	2	112139100/0	Feather, Crankshaft Ø 22,2	
20	1	182004348/0	Right Mulching Blade	
21	1	182004347/0	Left Blade Mulching, Winged	
22	2	122160400/0	Elastic Disc	
23	2	112523080/0	Washer	
24	1	112735694/0	Screw	
25	1	112735695/1	Screw	
26	2	182700001/0	Levelling Small Wheel	
27	2	125510072/0	Pin	
28	2	112692050/0	Screw	
29	2	112523060/0	Washer	
30	2	112293201/0	Nut	
41	1	182004341/1	Right Blade, Winged	
42	1	182004340/1	Left Blade, Winged	
51	2	382000474/1	Equalizer Rod	
52	8	325670008/1	Washer	
53	2	112523060/0	Washer	
54	4	112156602/0	Nut	

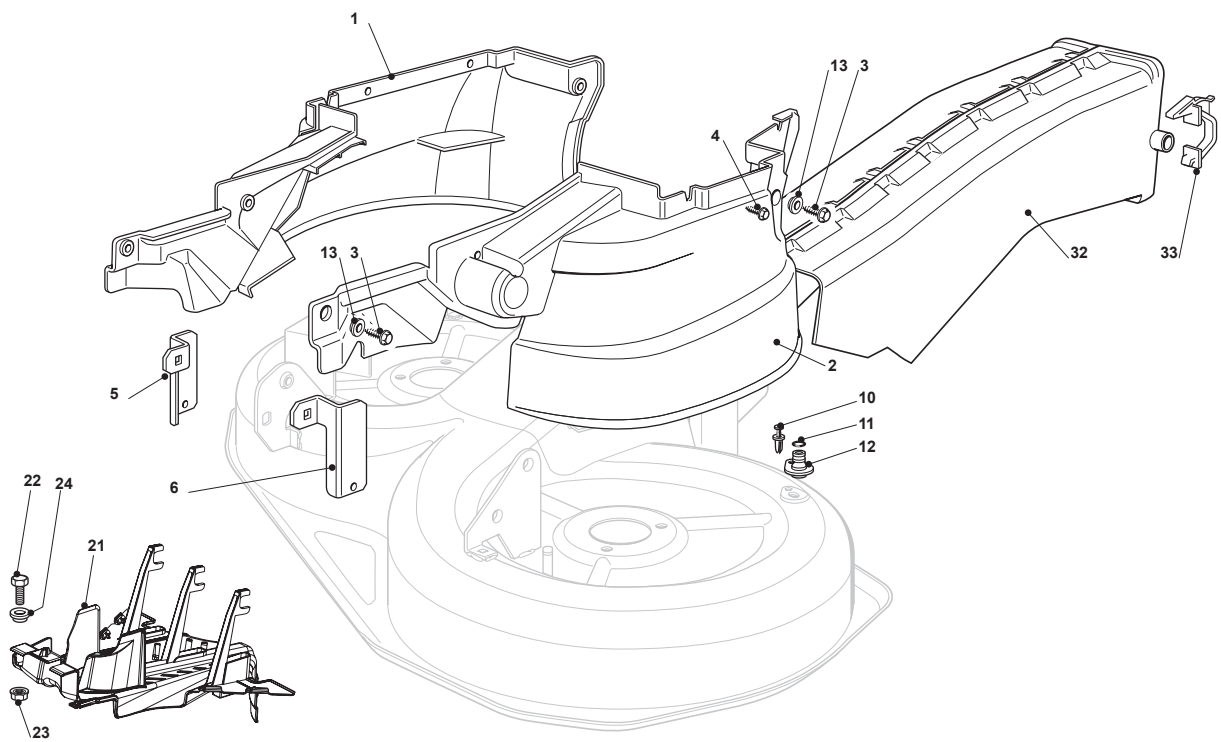


Fig.	Quantity	Part No	Description	Notes
1	1	325060156/2	Right Belt Protection Carter	
2	1	325060157/1	Left Belt Protection Carter	
3	6	125943011/0	Screw	
4	4	112735120/0	Screw	
5	1	325774381/0	Bracket	
6	1	325774383/0	Bracket	
10	2	112500030/0	Rivet	
11	2	119035000/0	Or Ring	
12	2	125033060/0	Washing Cutting Deck Connection	
13	6	112604899/0	Crown Fastener	
21	1	325060160/0	Belt Protection	
22	2	112791400/0	Screw	
23	2	112154510/0	Nut	
24	2	112521330/0	Washer	
32	2	382108021/0	Conveyor	
33	2	325774373/0	Clamp	

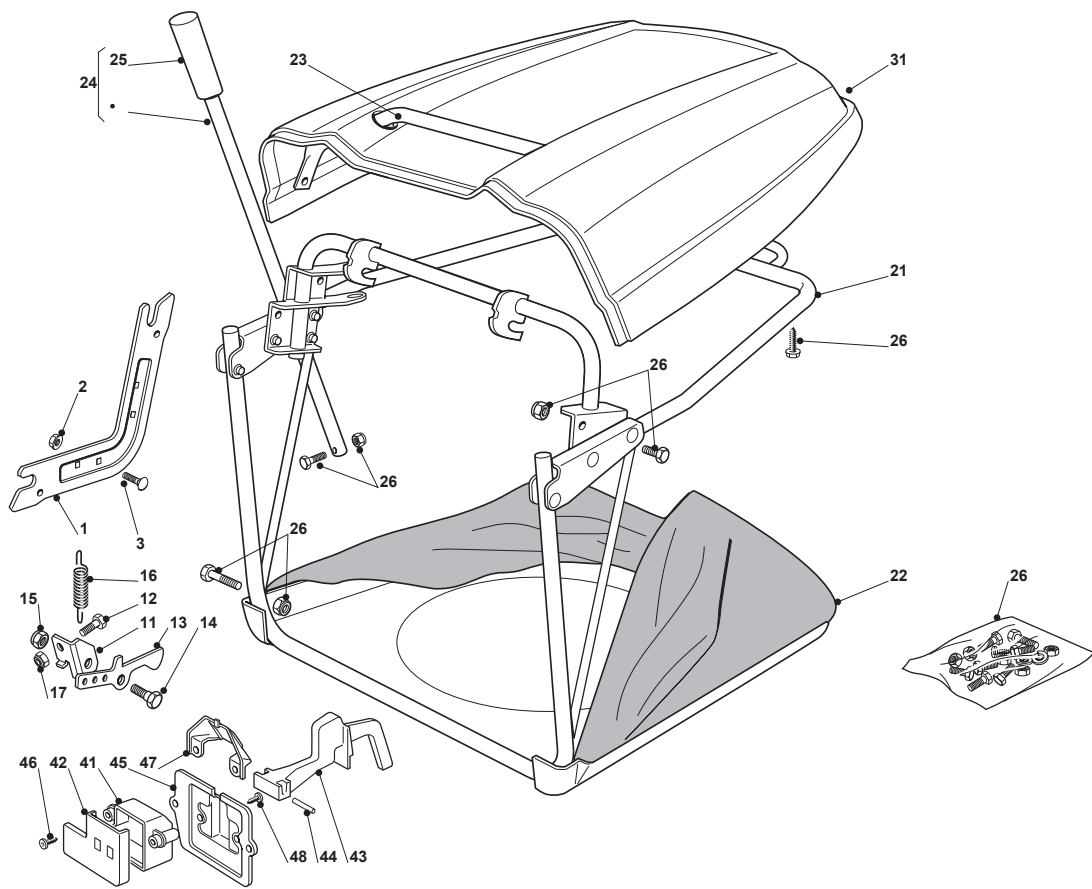


Fig.	Quantity	Part No	Description	Notes
1	2	325785275/0	Support	
2	4	112818690/0	Screw	
3	4	112293201/0	Nut	
11	1	325755031/1	Bracket	
12	1	112789000/0	Screw	
13	1	325774315/1	Bracket	
14	1	125510080/1	Pin	
15	1	112292102/0	Nut	
16	1	122450432/0	Spring	
17	1	112154330/0	Nut	
21	1	382800111/0	Front Frame	
22	1	182105973/0	Grasscatcher	
23	1	382394003/0	Front Handle	
24	1	382869023/0	Rod	
25	1	125394508/0	Knob	
26	1	382180048/0	Screw	
31	1	325110319/0	Yellow Grass-Catcher Cover	Yellow
31	1	325110320/0	Red Grass-Catcher Cover	Red
31	1	325110342/0	Grey Grass-Catcher Cover	Grey
31	1	325110413/0	Black Grass-Catcher Cover	Black
31	1	325110421/0	White Grass-Catcher Cover	White
41	1	125600041/0	Grassc.Full Micro Protection	
42	1	125600042/0	Grasscatcher Micro Prot Cover	
43	1	125318124/0	Full Grassc. Microswtich Cover	
44	1	112400030/0	Pin	
45	1	325785272/0	Micro Protection	
46	1	112728510/0	Screw	
47	1	125600048/0	Empty Micro Grassc.Protection Cover	
48	2	112735110/0	Screw	

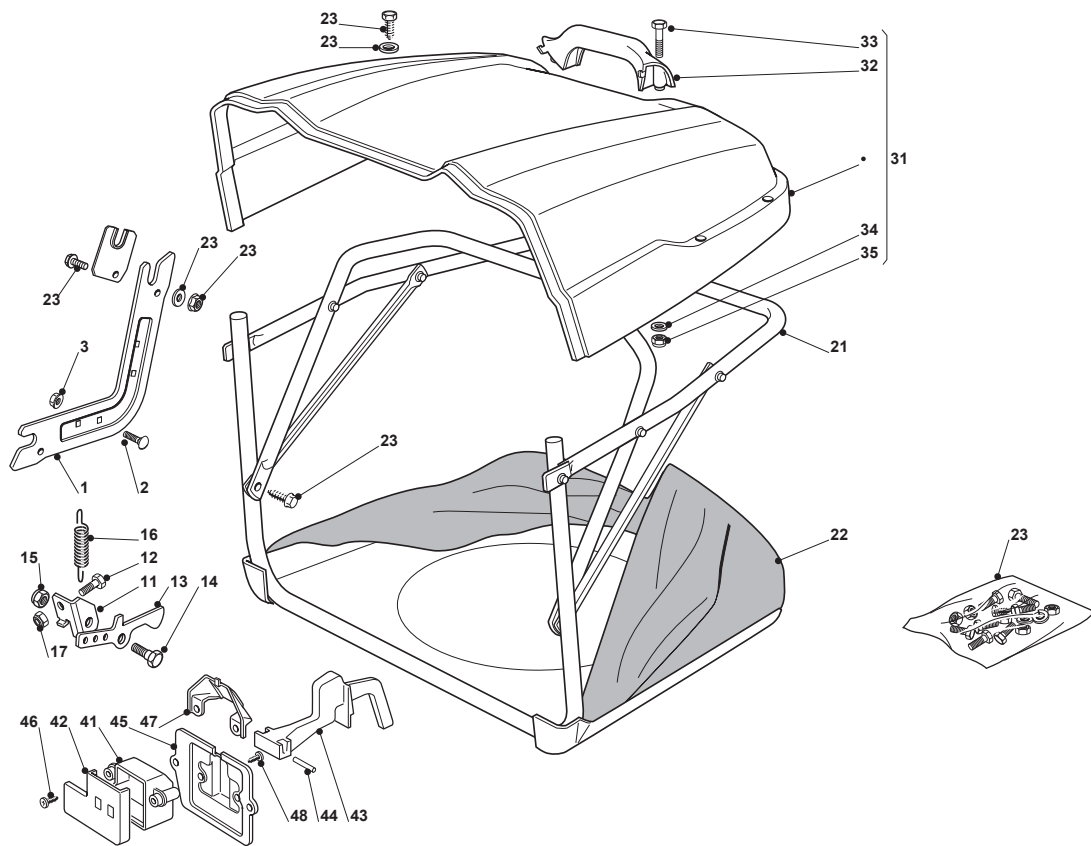




Fig.	Quantity	Part No	Description	Notes
1	2	325785275/0	Support	
2	4	112818690/0	Screw	
3	4	112293201/0	Nut	
11	1	325755031/1	Bracket	
12	1	112789000/0	Screw	
13	1	325774315/1	Bracket	
14	1	125510080/1	Pin	
15	1	112292102/0	Nut	
16	1	122450432/0	Spring	
17	1	112154330/0	Nut	
21	1	382800110/0	Front Frame	
22	1	182105974/0	Grasscatcher	
23	1	382180120/0	Screw	
31	1	382110273/1	Black Grass-Catcher Cover	
32	1	127394000/0	Handle	
33	2	112789020/0	Screw	
34	2	112523020/0	Washer	
35	2	112154330/0	Nut	
41	1	125600041/0	Grassc.Full Micro Protection	
42	1	125600042/0	Grasscatcher Micro Prot Cover	
43	1	125318124/0	Full Grassc. Microswtich Cover	
44	1	112400030/0	Pin	
45	1	325785272/0	Micro Protection	
46	1	112728510/0	Screw	
47	1	125600048/0	Empty Micro Grassc.Protection Cover	
48	2	112735110/0	Screw	

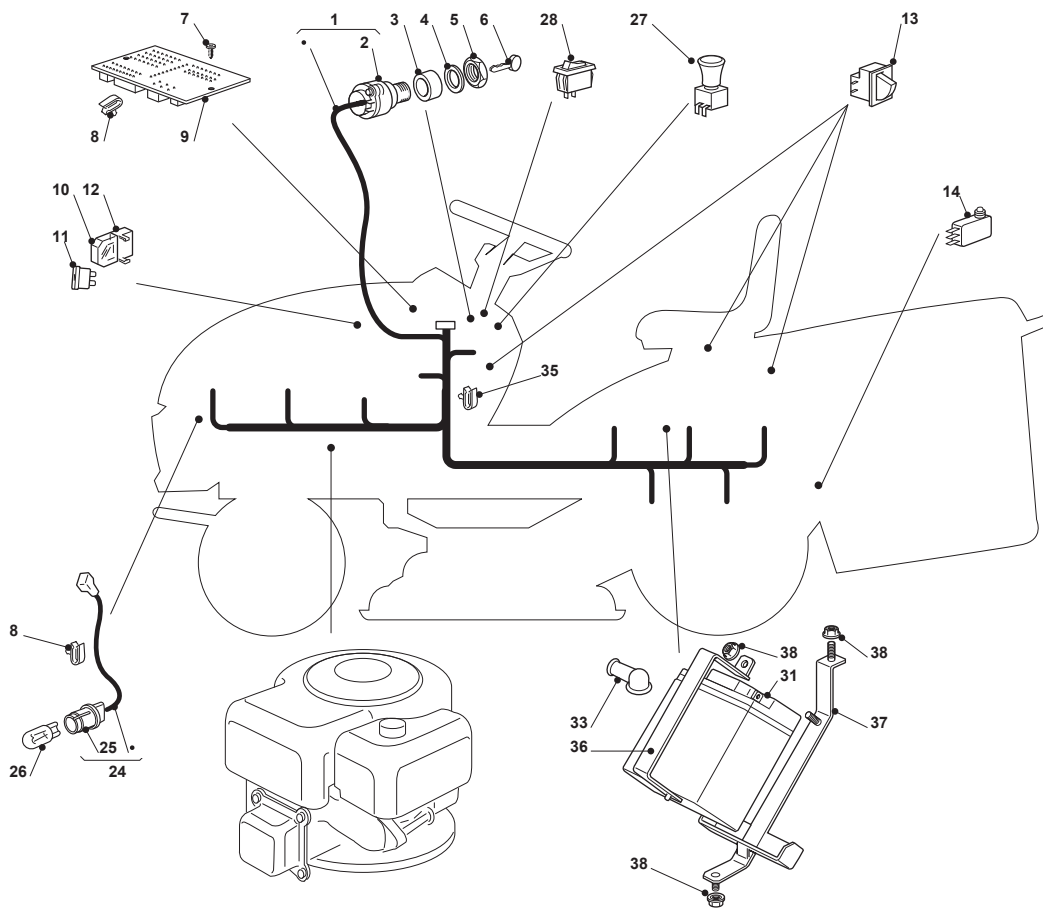


Fig.	Quantity	Part No	Description	Notes
1	1	182040201/0	Cables Ass.Y	for GGP-B&S-Kawasaki Engine
1	1	182040202/0	Cables Ass.Y	for Honda Engine
1	1	182040192/0	Cables Ass.Y	for LED version
2	1	118450072/0	Starting Switch	
3	1	118550136/0	Spacer	
4	1	118550135/0	Washer	
5	1	118400862/0	Ring Nut	
6	1	118210022/0	Starting Key	
7	3	112727810/0	Screw	
8	2	133320506/0	Fairlead	
9	1	125722443/0	Electronic Card (1 Led)	1 led
9	1	125722442/0	Electronic Card (6 Led)	6 led
10	2	133215000/0	Cover	
11	1	133340036/0	Fuse 25 A	
11	1	133340040/0	Fuse 10 A	
12	2	133500007/0	Fuse Carrier	
13	3	119410615/0	Microswitch	
14	1	119410605/1	Microswitch	
24	1	182040192/0	Cables Ass.Y	for LED version
24	1	182040073/0	Lamp Holder	for NJX-NJS-NJU-NJA models
25	2	133500030/0	Lamp Holder	
26	2	118459100/0	Lamp For Lights	
27	1	118450068/0	Switch	
28	1	118450060/1	Headlight Interrupt. Cre1116-0	
31	1	118120002/1	Battery	
33	1	118564861/1	Protection	
35	9	133320506/0	Fairlead	
36	1	327772099/1	Clamp	
37	1	382785191/0	Battery Support	
38	3	112155000/0	Nut	

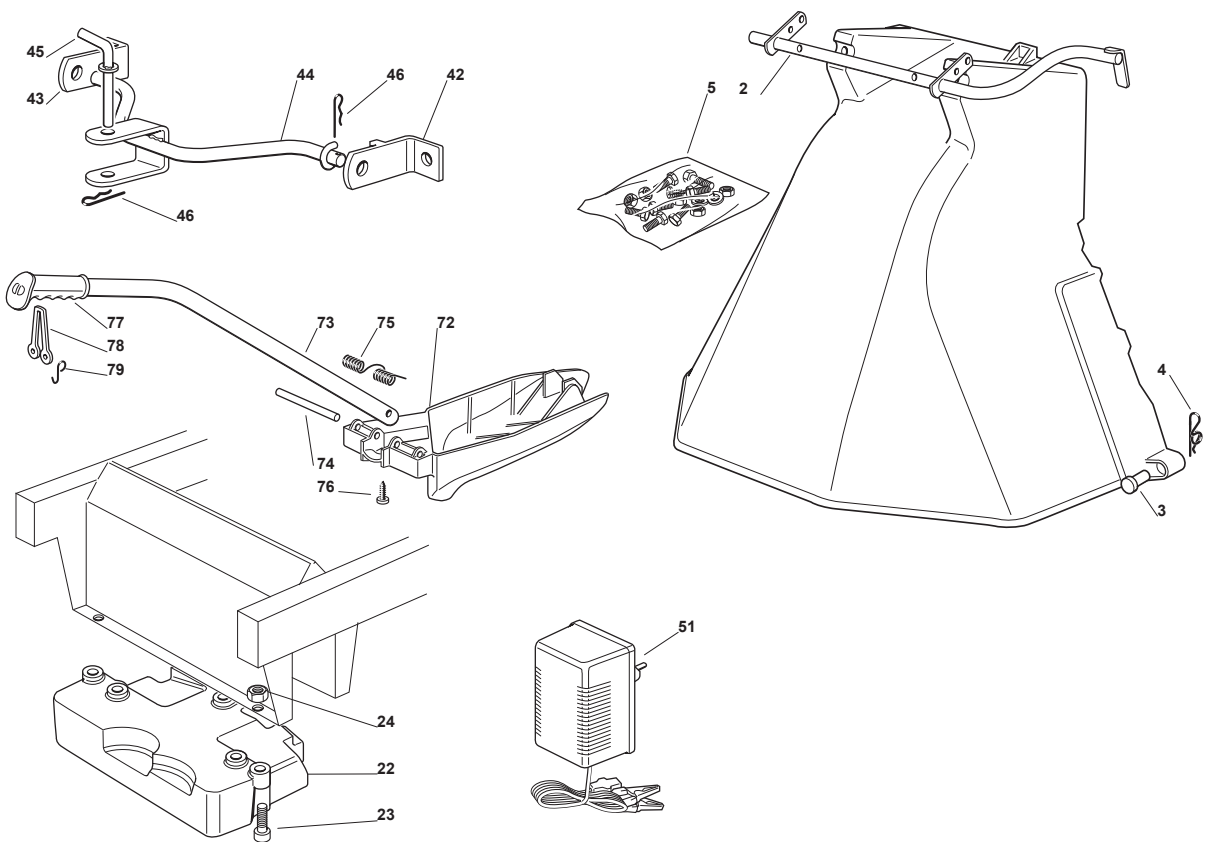


Fig.	Quantity	Part No	Description	Notes
2	1	382869035/0	Stone Guard Tube	
3	2	125510022/0	Pin	
4	2	124487998/0	Cotter Pin	
5	1	382180062/0	Outfit, Screws	
22	1	125519997/1	Front Weight Tc	
23	3	112760520/0	Screw	
24	3	112155000/0	Nut	
42	1	382735502/0	Bracket	
43	1	325774213/0	Bracket	
44	1	382033117/0	Rod	
45	1	125510021/1	Hitch Pin	
46	2	124487999/0	Spring Pin	
51	1	182180090/0	Battery Charger	CE Plugg
51	1	182180091/0	Battery Charger	UK Plugg
72	1	325140097/0	Deflector	
73	1	325394005/0	Handle	
74	1	125510077/0	Pin	
75	1	125430245/0	Spring	
76	1	112735405/0	Screw	
77	1	325280000/1	Handgrip	
78	1	125840011/1	Tie Rod	
79	2	125253004/0	Mulch.Kit Fixing Hook	

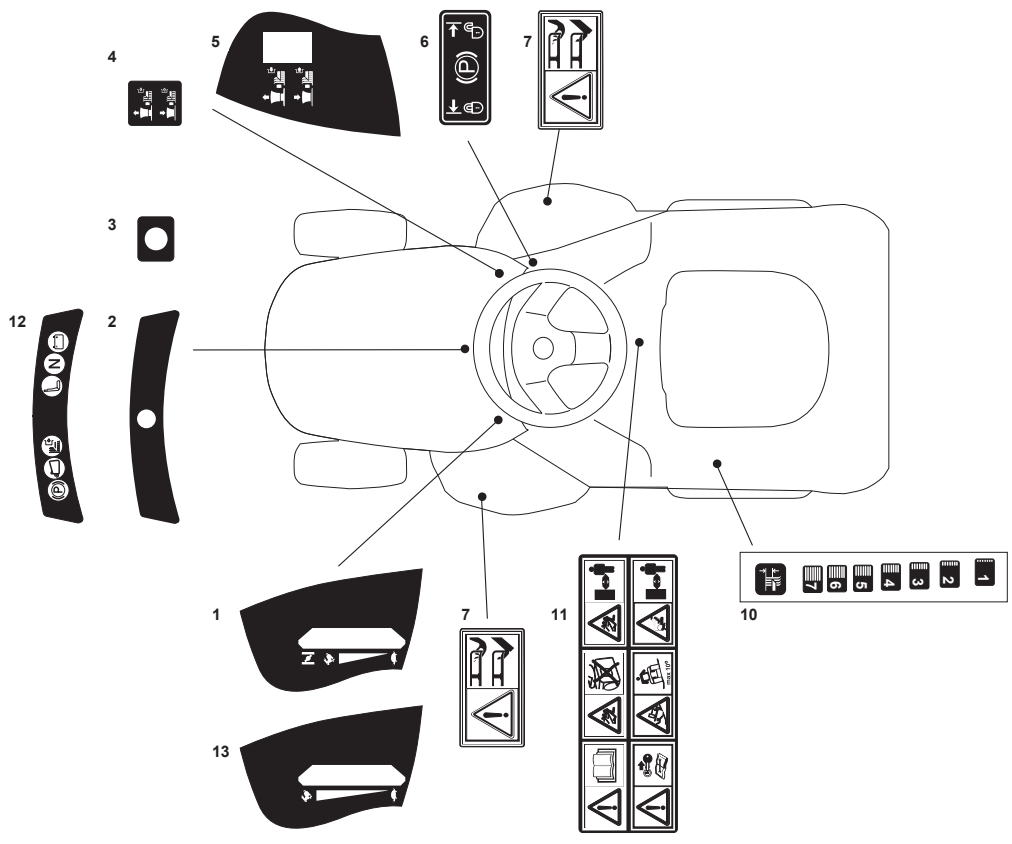
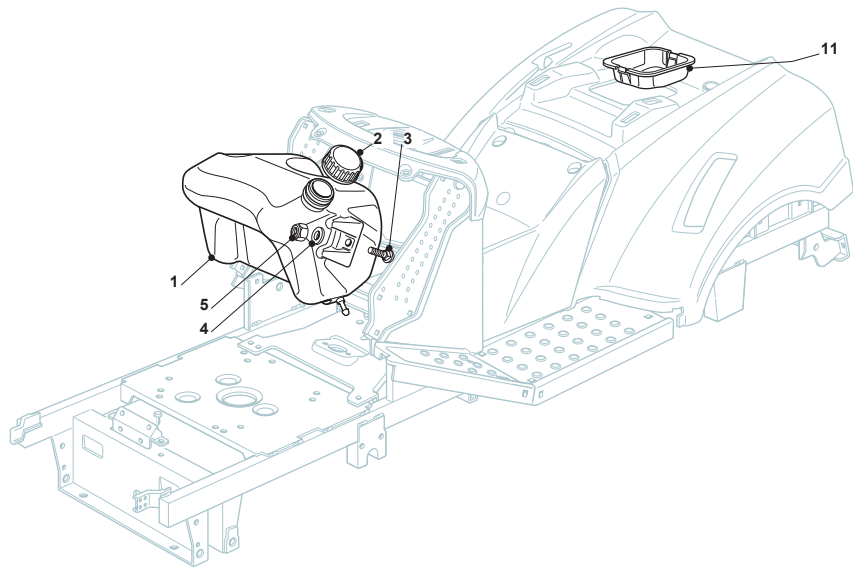


Fig.	Quantity	Part No	Description	Notes
1	1	114361440/0	Label	for NJTP-NJX-NJS-NJU-NJA models
2	1	125420024/0	Label	1 led
5	1	114361439/0	Label	for NJTP-NJX-NJS-NJU-NJA models
6	1	114361452/0	Label	
7	2	114356699/1	Label	
10	1	114361441/0	Label	
11	1	114361553/1	Label	
12	1	125420020/0	Label	6 led
13	1	114364616/0	Label	for Honda GXV390



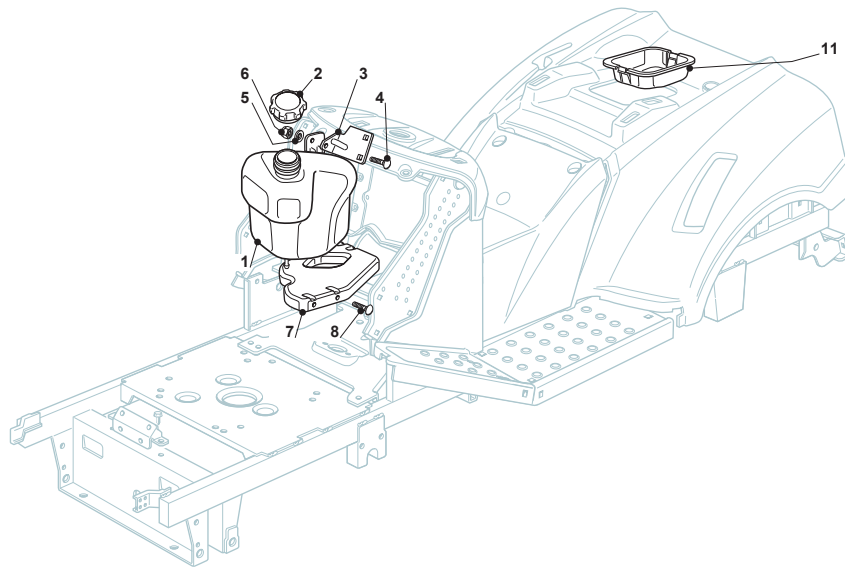


# NJX 102 HYDRO

Ride-on 102-122 Tank - 5,5 Lt

Issue 10 - 2015

Fig.	Quantity	Part No	Description	Notes
1	1	325735128/0	Tank	
2	1	125795000/1	Fuel Cap	
3	2	112815210/0	Screw	
4	2	325160039/0	Spacer	
5	2	112154510/0	Nut	
11	1	325207176/0	Basin	



# NJX 102 HYDRO

Ride-on 102-122 Tank - 4,5 Lt

Issue 10 - 2015

Fig.	Quantity	Part No	Description	Notes
1	1	325735124/0	Fuel Tank	
2	1	125795001/1	Cap	
3	1	325785291/0	Support	
4	1	112789195/0	Screw	
5	1	112581500/0	Grower	
6	1	112437503/0	Plate	
7	1	325785289/0	Support	
8	4	112735403/0	Screw	
11	1	325207176/0	Basin	

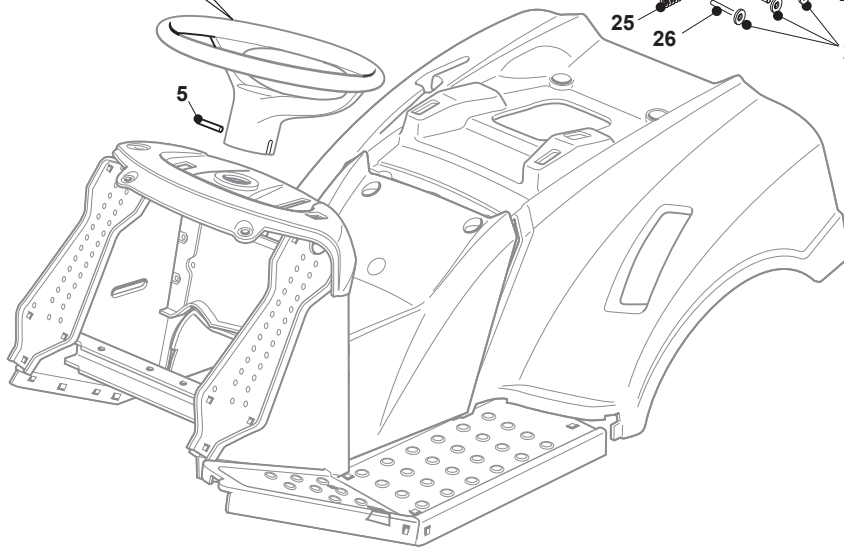
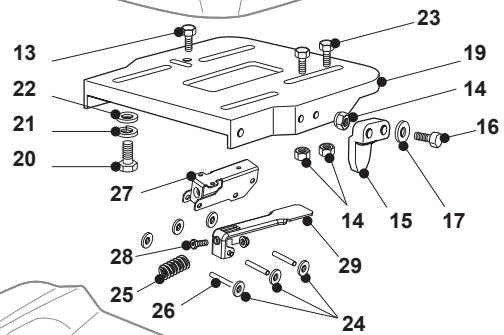
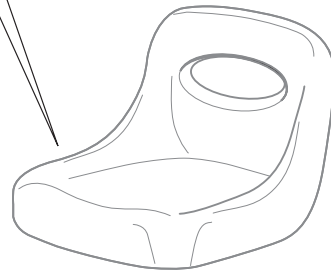
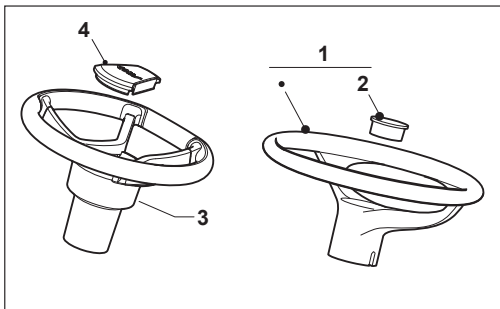
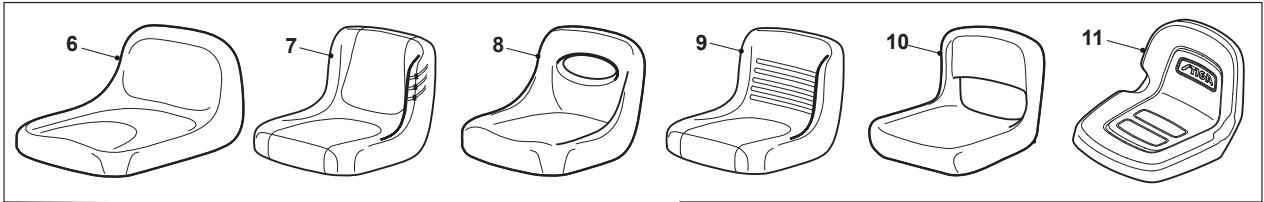


Fig.	Quantity	Part No	Description	Notes
1	1	125961209/0	Steering Wheel	Black
1	1	125961201/0	Steering Wheel	
5	1	112620299/0	Elastic Pin	
7	1	125722463/0	Seat	
9	1	125722471/0	Seat	
11	1	125722478/1	Seat	
13	1	112789000/0	Screw	
15	1	327063021/1	Cam	
17	2	112523020/0	Washer	
19	1	325547033/2	Seat Plate	
21	4	112583500/0	Grower	
23	2	112789000/0	Screw	
25	1	125430285/0	Spring	
27	1	325774575/0	Fulcrum Clamp	
29	1	325318327/0	Lever	
1	1	125961212/0	Steering Wheel	Grey
1	1	125961216/0	Steering Wheel	Black
2	1	325580500/0	Cap	Grey
2	1	325580501/0	Cap	Black
3	1	325961222/1	Steering wheel	
4	1	325580508/0	Steering Plate Cover	only for STIGA models
6	1	125722470/0	Seat	
8	1	125722453/1	Seat	
10	1	125722456/0	Seat	
12	1	125430285/0	Spring	
14	1	112154330/0	Nut	
16	2	112789100/0	Screw	
18	2	112154330/0	Nut	
20	4	112793101/0	Screw	
22	4	112523060/0	Washer	
24	6	112604896/0	Crown Fastener	
26	3	122517866/0	Pin	
28	1	112735661/0	Screw	

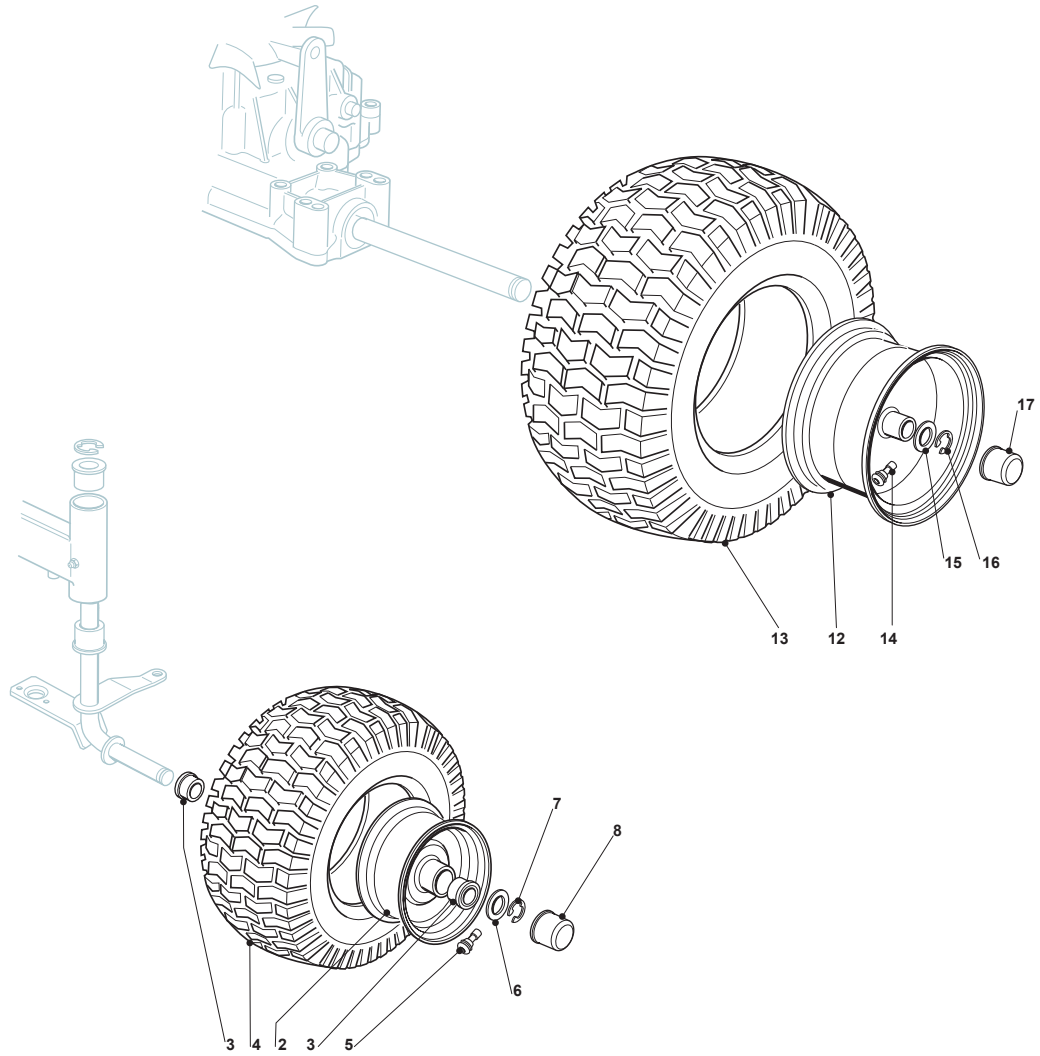


Fig.	Quantity	Part No	Description	Notes
2	2	182000598/0	Rimm	
3	4	125122200/2	Bearing	
4	2	125590014/0	Tyre	13 inch
4	2	127590066/0	Tyre	15 inch
5	2	125950000/0	Valve	
6	2	125670005/1	Washer	
7	2	112001000/0	Benzing Ring	
8	2	122110230/0	Hub Cover	Standard black hub version
12	2	182000599/0	Rimm	
13	2	125590015/0	Tyre	
14	2	125950000/0	Valve	
15	2	125670005/1	Washer	
16	2	112001010/0	Benzing Ring	
17	2	122110230/0	Hub Cover	Standard black hub version

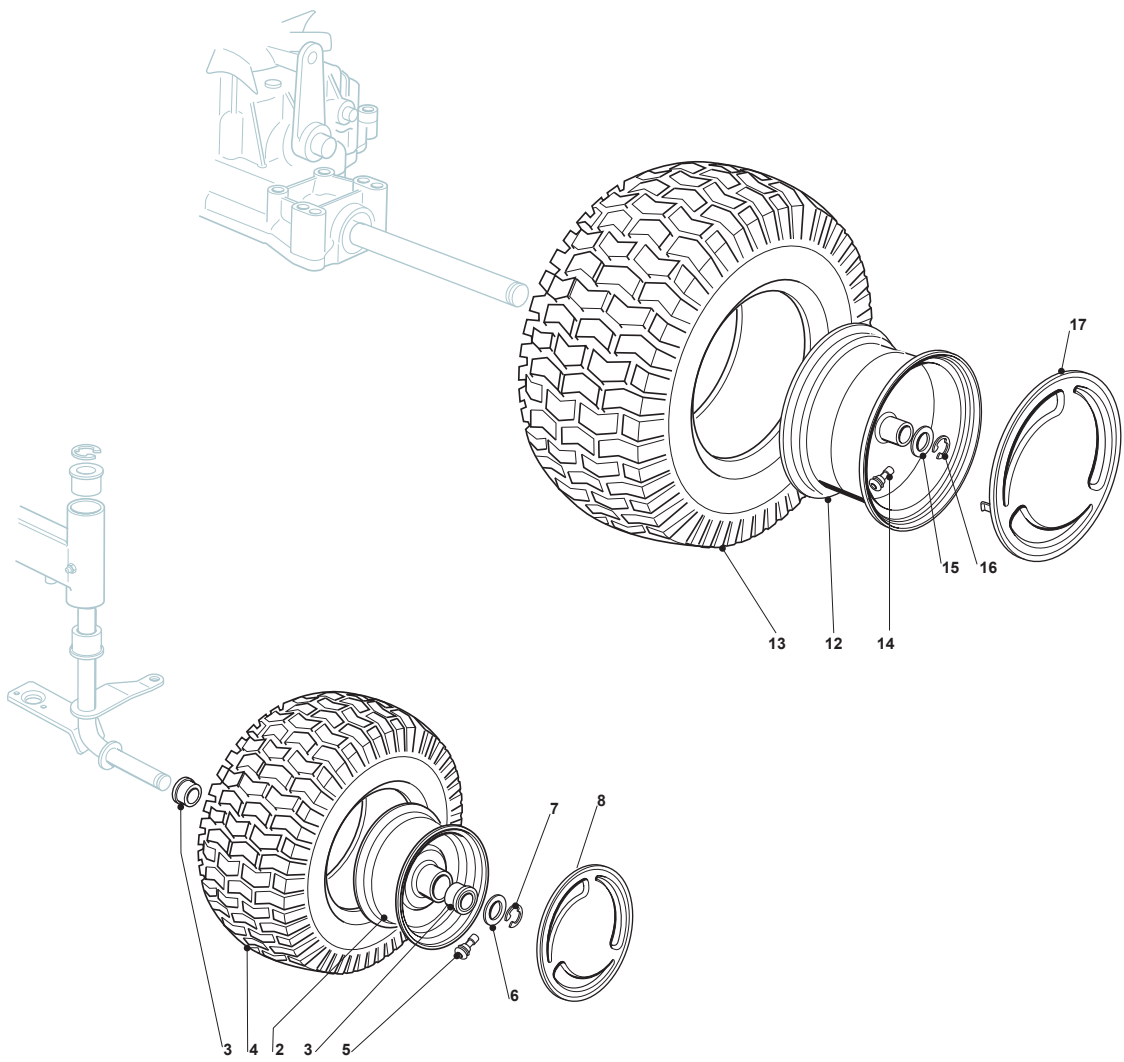




Fig.	Quantity	Part No	Description	Notes
2	2	182000598/0	Rimm	
3	4	125122200/2	Bearing	
4	2	125590014/0	Tyre	13 inch
4	2	127590066/0	Tyre	15 inch
5	2	125950000/0	Valve	
6	2	125670005/1	Washer	
7	2	112001000/0	Benzing Ring	
8	2	382110252/0	Front Wheel Cover	
12	2	182000599/0	Rimm	
13	2	125590015/0	Tyre	
14	2	125950000/0	Valve	
15	2	125670005/1	Washer	
16	2	112001010/0	Benzing Ring	
17	2	382110253/0	Wheel Cover	Standard grey hub version

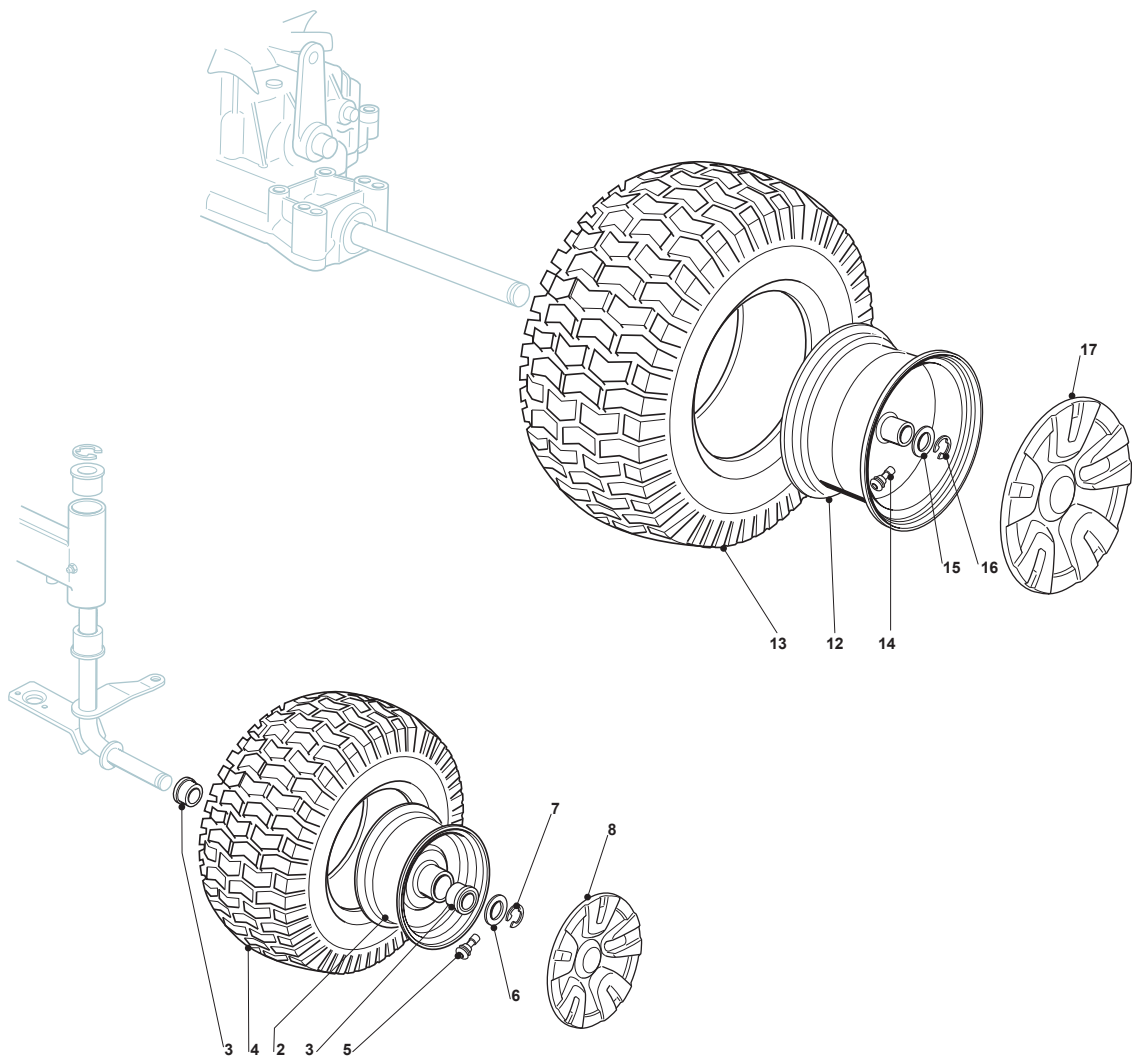


Fig.	Quantity	Part No	Description	Notes
2	2	182000598/0	Rimm	
3	4	125122200/2	Bearing	
4	2	125590014/0	Tyre	13 inch
4	2	127590066/0	Tyre	15 inch
5	2	125950000/0	Valve	
6	2	125670005/1	Washer	
7	2	112001000/0	Benzing Ring	
8	2	382110274/0	Wheel Cover	Standard grey hub version
12	2	182000599/0	Rimm	
13	2	125590015/0	Tyre	
14	2	125950000/0	Valve	
15	2	125670005/1	Washer	
16	2	112001010/0	Benzing Ring	
17	2	382110275/0	Rear Wheel Deck	Standard grey hub version

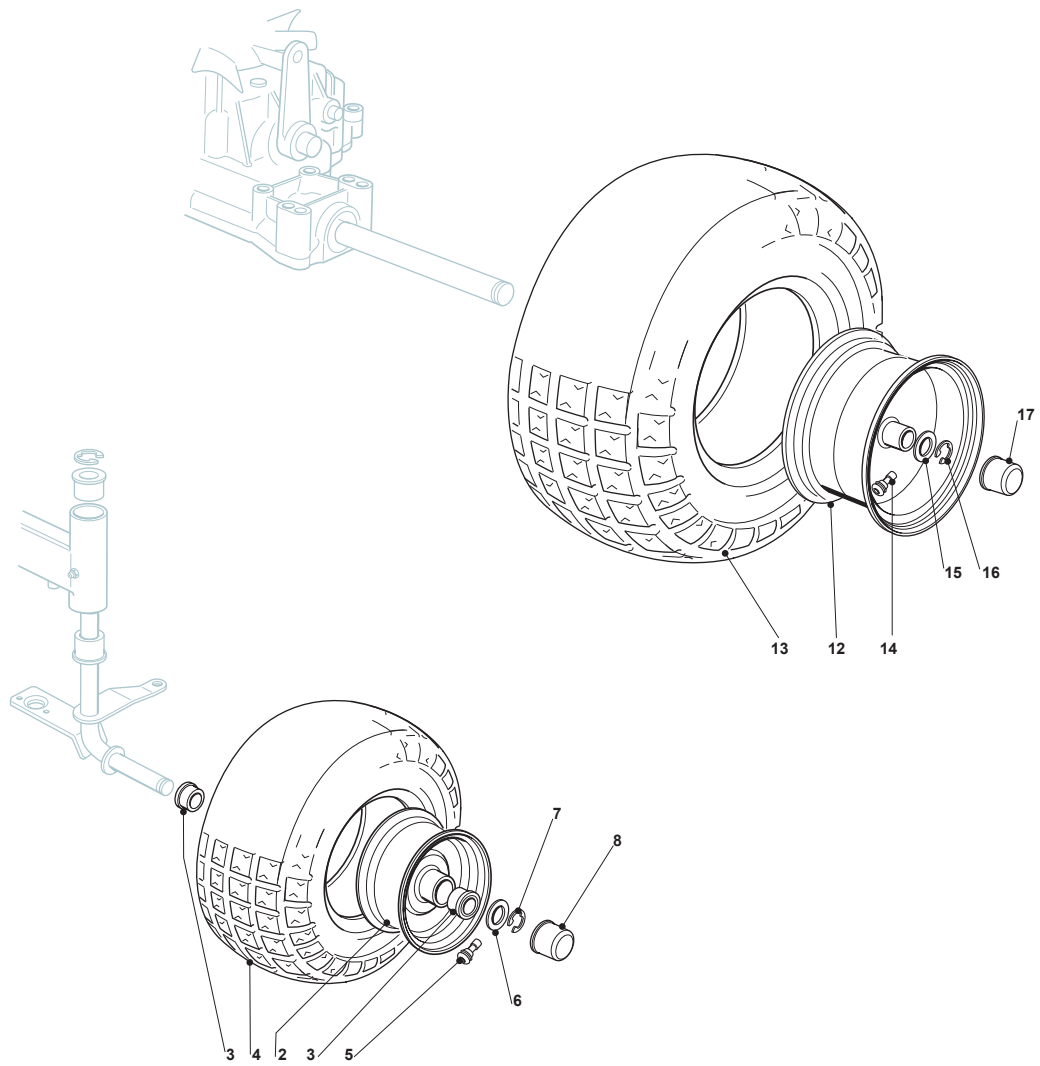


Fig.	Quantity	Part No	Description	Notes
2	2	182000590/1	Rimm	
3	4	125122200/2	Bearing	
4	2	125590020/0	Tyre	
5	2	125950000/0	Valve	
6	2	125670005/1	Washer	
7	2	112001000/0	Benzing Ring	
8	2	122110230/0	Hub Cover	Standard black hub version
8	2	122110239/0	Hub Cover	Stiga Style version
12	2	182000592/0	Rear Wheel Rimm	
13	2	125590022/0	Tyre	
14	2	125950000/0	Valve	
15	2	125670005/1	Washer	
16	2	112001010/0	Benzing Ring	
17	2	122110230/0	Hub Cover	Standard black hub version
17	2	122110239/0	Hub Cover	Stiga Style version



code	pos.	q.ty	page	code	pos.	q.ty	page	code	pos.	q.ty	page
112540260/0	15	2	p. 17	112726388/0	65	1	p. 23	112791213/1	41	2	p. 25
112540260/0	15	2	p. 19	112726388/0	65	1	p. 25	112791213/1	41	2	p. 27
112540260/0	15	2	p. 27	112726388/0	65	1	p. 27	112791213/1	54	2	p. 13
112540260/0	16	2	p. 21	112727810/0	7	3	p. 51	112791213/1	63	1	p. 33
112540260/0	21	3	p. 29	112728440/0	37	2	p. 11	112791400/0	22	2	p. 45
112540260/0	21	3	p. 31	112728510/0	46	1	p. 47	112792410/0	26	1	p. 37
112540260/0	23	1	p. 29	112728510/0	46	1	p. 49	112792611/0	2	4	p. 41
112540260/0	23	1	p. 31	112728686/0	98	4	p. 11	112792611/0	14	2	p. 29
112540260/0	33	2	p. 23	112729601/1	9	2	p. 13	112792611/0	14	2	p. 31
112540260/0	33	2	p. 25	112731350/0	43	4	p. 37	112792611/0	15	2	p. 21
112543000/0	3	1	p. 33	112731580/0	19	4	p. 37	112792611/0	18	1	p. 29
112581100/0	44	2	p. 15	112731580/0	25	4	p. 11	112792611/0	18	1	p. 31
112581500/0	5	1	p. 59	112734995/0	28	4	p. 11	112792611/0	19	2	p. 17
112583500/0	5	2	p. 17	112735108/1	4	3	p. 25	112792611/0	19	2	p. 19
112583500/0	5	2	p. 19	112735108/1	7	4	p. 27	112792611/0	19	2	p. 27
112583500/0	5	2	p. 21	112735110/0	9	4	p. 3	112792611/0	36	2	p. 23
112583500/0	5	2	p. 27	112735110/0	9	4	p. 7	112792611/0	36	2	p. 25
112583500/0	8	2	p. 21	112735110/0	11	2	p. 3	112792611/0	38	4	p. 3
112583500/0	12	2	p. 41	112735110/0	11	2	p. 7	112792611/0	38	4	p. 7
112583500/0	13	2	p. 25	112735110/0	30	6	p. 41	112792611/0	53	6	p. 3
112583500/0	15	2	p. 29	112735110/0	46	2	p. 15	112792611/0	53	6	p. 7
112583500/0	15	2	p. 31	112735110/0	48	2	p. 47	112792611/0	56	2	p. 3
112583500/0	20	2	p. 17	112735110/0	48	2	p. 49	112792611/0	56	2	p. 7
112583500/0	20	2	p. 19	112735110/0	61	1	p. 3	112792611/0	58	2	p. 3
112583500/0	20	2	p. 27	112735110/0	61	1	p. 7	112792611/0	58	2	p. 7
112583500/0	21	2	p. 21	112735110/0	99	2	p. 11	112792611/0	83	4	p. 3
112583500/0	21	4	p. 61	112735120/0	4	4	p. 45	112792611/0	83	4	p. 7
112583500/0	25	1	p. 41	112735402/0	38	2	p. 11	112793101/0	20	4	p. 61
112583500/0	34	1	p. 41	112735402/0	41	2	p. 11	112793102/0	6	2	p. 21
112583500/0	37	2	p. 23	112735402/0	62	2	p. 15	112793102/0	9	3	p. 29
112583500/0	37	2	p. 25	112735402/0	95	4	p. 11	112793102/0	9	3	p. 31
112583500/0	47	1	p. 41	112735402/0	96	2	p. 11	112793102/0	10	2	p. 41
112587100/0	47	1	p. 13	112735403/0	8	4	p. 59	112793102/0	14	2	p. 17
112604896/0	24	6	p. 61	112735404/0	21	2	p. 15	112793102/0	14	2	p. 19
112609200/0	8	2	p. 41	112735405/0	7	6	p. 11	112793102/0	14	2	p. 27
112609260/0	15	2	p. 43	112735405/0	76	1	p. 53	112793102/0	20	2	p. 3
112610800/0	7	2	p. 41	112735530/0	6	2	p. 17	112793102/0	20	2	p. 7
112620299/0	5	1	p. 61	112735530/0	6	2	p. 19	112793102/0	22	3	p. 29
112622650/0	4	1	p. 13	112735530/0	12	2	p. 25	112793102/0	22	3	p. 31
112674700/0	4	1	p. 37	112735599/0	4	4	p. 15	112793102/0	23	1	p. 41
112691100/0	9	2	p. 21	112735599/0	5	1	p. 23	112793102/0	23	2	p. 15
112691100/0	25	3	p. 17	112735599/0	8	1	p. 27	112793102/0	32	1	p. 41
112691100/0	25	3	p. 19	112735602/0	43	2	p. 15	112793102/0	32	2	p. 23
112691115/0	6	1	p. 25	112735661/0	28	1	p. 61	112793102/0	32	2	p. 25
112691115/0	7	1	p. 17	112735694/0	24	1	p. 43	112793102/0	45	1	p. 41
112691115/0	7	1	p. 19	112735695/1	25	1	p. 43	112793701/0	59	1	p. 33
112691115/0	7	4	p. 23	112735802/0	7	2	p. 21	112793900/0	19	1	p. 41
112691115/0	8	1	p. 33	112735821/0	17	4	p. 29	112794950/0	23	1	p. 13
112691115/0	49	1	p. 33	112735821/0	17	4	p. 31	112815200/0	11	2	p. 15
112691200/0	16	3	p. 41	112737320/0	2	1	p. 33	112815200/0	12	4	p. 3
112691400/0	48	1	p. 33	112737450/0	6	2	p. 27	112815200/0	12	4	p. 7
112691600/0	11	1	p. 37	112760515/0	48	2	p. 3	112815200/0	15	2	p. 3
112691600/0	54	4	p. 33	112760515/0	48	2	p. 7	112815200/0	15	2	p. 7
112691700/0	15	1	p. 41	112760520/0	23	3	p. 53	112815200/0	18	2	p. 3
112691700/0	57	1	p. 33	112788512/0	62	2	p. 21	112815200/0	18	2	p. 7
112691800/0	42	1	p. 33	112789000/0	12	1	p. 47	112815200/0	27	3	p. 41
112692050/0	28	2	p. 43	112789000/0	12	1	p. 49	112815200/0	32	8	p. 3
112692695/0	45	1	p. 13	112789000/0	13	1	p. 61	112815200/0	32	8	p. 7
112726388/0	27	1	p. 29	112789000/0	23	2	p. 61	112815200/0	94	4	p. 5
112726388/0	27	1	p. 31	112789000/0	44	2	p. 3	112815200/0	94	4	p. 9
112726388/0	65	1	p. 17	112789000/0	44	2	p. 7	112815210/0	3	2	p. 57
112726388/0	65	1	p. 19	112789020/0	33	2	p. 49	112815221/0	33	4	p. 11
112726388/0	65	1	p. 21	112789100/0	16	2	p. 61	112815221/0	41	2	p. 21
				112789195/0	4	1	p. 59	112815221/0	41	2	p. 23
				112791213/1	41	2	p. 17	112815245/0	36	4	p. 15
				112791213/1	41	2	p. 19	112818690/0	2	4	p. 47

code	pos.	q.ty	page								
112818690/0	2	4	p. 49	118738227/0	11	1	p. 25	125160021/0	6	1	p. 33
112818690/0	6	4	p. 3	118738231/1	4	1	p. 27	125160024/2	46	1	p. 33
112818690/0	6	4	p. 7	118738256/0	6	1	p. 29	125160035/0	14	3	p. 25
112818690/0	7	2	p. 37	118738256/0	6	1	p. 31	125160058/0	69	2	p. 33
112818690/0	15	2	p. 37	118738257/0	7	1	p. 29	125160079/0	41	1	p. 41
112818690/0	21	1	p. 33	118738257/0	7	1	p. 31	125160081/0	41	1	p. 33
112818690/0	35	8	p. 3	118802723/0	24	1	p. 33	125253004/0	79	2	p. 53
112818690/0	35	8	p. 7	119035000/0	11	2	p. 45	125260000/0	39	2	p. 11
112818700/0	16	6	p. 43	119216047/0	13	4	p. 43	125318124/0	43	1	p. 47
112818900/0	42	1	p. 41	119216048/0	6	2	p. 41	125318124/0	43	1	p. 49
114356699/1	7	2	p. 55	119410605/1	14	1	p. 51	125394501/0	64	1	p. 21
114361439/0	5	1	p. 55	119410609/0	42	1	p. 15	125394501/0	64	1	p. 23
114361440/0	1	1	p. 55	119410613/0	52	1	p. 15	125394501/0	64	1	p. 25
114361441/0	10	1	p. 55	119410614/0	25	1	p. 15	125394501/0	64	1	p. 27
114361451/0	74	1	p. 35	119410615/0	13	3	p. 51	125394508/0	3	1	p. 37
114361452/0	6	1	p. 55	122041980/0	9	2	p. 37	125394508/0	25	1	p. 47
114361553/1	11	1	p. 55	122041980/0	51	1	p. 15	125420020/0	12	1	p. 55
114364616/0	13	1	p. 55	122110230/0	8	2	p. 63	125420024/0	2	1	p. 55
118120002/1	31	1	p. 51	122110230/0	8	2	p. 69	125430213/0	16	1	p. 15
118210022/0	6	1	p. 51	122110230/0	17	2	p. 63	125430213/0	48	1	p. 15
118375051/1	1	2	p. 29	122110230/0	17	2	p. 69	125430245/0	75	1	p. 53
118375051/1	1	2	p. 31	122110239/0	8	2	p. 69	125430252/0	20	1	p. 29
118375051/1	3	2	p. 19	122110239/0	17	2	p. 69	125430252/0	20	1	p. 31
118375051/1	3	2	p. 23	122160400/0	22	2	p. 43	125430257/1	46	2	p. 3
118375051/1	3	2	p. 25	122170950/0	42	2	p. 21	125430257/1	46	2	p. 7
118375051/1	3	4	p. 17	122170950/0	42	2	p. 23	125430259/0	13	1	p. 37
118375051/1	3	4	p. 21	122430216/1	4	1	p. 33	125430260/0	17	1	p. 33
118375051/1	3	4	p. 27	122446402/0	25	1	p. 37	125430276/0	60	1	p. 3
118399062/0	1	1	p. 33	122450432/0	16	1	p. 47	125430276/0	60	1	p. 7
118400862/0	5	1	p. 51	122450432/0	16	1	p. 49	125430285/0	12	1	p. 61
118400919/2	53	1	p. 33	122517866/0	26	3	p. 61	125430285/0	25	1	p. 61
118401001/1	4	1	p. 29	122524970/2	40	2	p. 3	125463200/0	18	2	p. 43
118401001/1	4	1	p. 31	122524970/2	40	2	p. 7	125510021/1	45	1	p. 53
118401001/1	10	1	p. 25	122524970/3	14	1	p. 15	125510022/0	3	2	p. 53
118401001/1	11	1	p. 23	122671653/0	49	2	p. 3	125510068/0	21	2	p. 11
118401001/1	12	1	p. 27	122671653/0	49	2	p. 7	125510070/0	32	1	p. 37
118401001/1	14	1	p. 21	122671653/0	51	2	p. 33	125510070/0	37	2	p. 37
118450060/1	28	1	p. 51	122746609/0	58	2	p. 13	125510072/0	27	2	p. 43
118450068/0	27	1	p. 51	124487997/0	22	1	p. 37	125510077/0	74	1	p. 53
118450072/0	2	1	p. 51	124487998/0	4	2	p. 53	125510080/1	14	1	p. 47
118459100/0	26	2	p. 51	124487998/0	23	1	p. 11	125510080/1	14	1	p. 49
118550135/0	4	1	p. 51	124487998/0	31	1	p. 37	125510087/0	11	1	p. 33
118550136/0	3	1	p. 51	124487998/0	39	2	p. 37	125510090/0	55	1	p. 39
118562996/0	10	1	p. 17	124487998/0	46	1	p. 37	125510098/0	47	1	p. 37
118564861/1	33	1	p. 51	124487998/0	54	1	p. 39	125510132/0	15	1	p. 13
118564861/1	45	1	p. 17	124487999/0	46	2	p. 53	125519997/1	22	1	p. 53
118564861/1	45	1	p. 19	125020800/1	10	1	p. 43	125520006/1	2	1	p. 13
118564864/1	45	1	p. 25	125020801/2	11	1	p. 43	125580020/2	93	2	p. 11
118564864/1	45	1	p. 27	125033060/0	12	2	p. 45	125590014/0	4	2	p. 63
118736110/0	43	1	p. 17	125033119/0	50	1	p. 15	125590014/0	4	2	p. 65
118736110/0	43	1	p. 19	125034002/1	42	4	p. 13	125590014/0	4	2	p. 67
118736110/0	43	1	p. 25	125038000/0	14	4	p. 41	125590015/0	13	2	p. 63
118736110/0	43	1	p. 27	125060100/3	29	1	p. 41	125590015/0	13	2	p. 65
118737849/0	5	1	p. 29	125065017/0	46	1	p. 17	125590015/0	13	2	p. 67
118737849/0	5	1	p. 31	125065017/0	46	1	p. 19	125590020/0	4	2	p. 69
118737849/0	9	1	p. 25	125065017/0	46	1	p. 25	125590022/0	13	2	p. 69
118737849/0	10	1	p. 23	125065017/0	46	1	p. 27	125598050/0	3	1	p. 29
118737849/0	11	1	p. 27	125090007/0	71	1	p. 21	125598060/0	3	1	p. 31
118737849/0	13	1	p. 21	125122200/2	3	4	p. 63	125600041/0	41	1	p. 47
118738204/0	4	1	p. 21	125122200/2	3	4	p. 65	125600041/0	41	1	p. 49
118738206/0	4	1	p. 19	125122200/2	3	4	p. 67	125600042/0	42	1	p. 47
118738221/0	12	1	p. 23	125122200/2	3	4	p. 69	125600042/0	42	1	p. 49
118738222/0	13	1	p. 23	125160002/0	35	1	p. 41	125600042/0	42	1	p. 49
118738224/0	4	1	p. 17	125160003/0	13	4	p. 41	125600048/0	47	1	p. 47
				1251600016/1	44	1	p. 13	125600048/0	47	1	p. 49
				125160018/1	47	1	p. 33	125601550/0	31	1	p. 41
								125601554/0	14	1	p. 33



code	pos.	q.ty	page										
125601559/1	5	2	p. 41	127598061/1	12	1	p. 21	325110327/0	104	1	p. 5		
125601560/0	21	2	p. 41	133215000/0	10	2	p. 51	325110342/0	31	1	p. 47		
125601577/0	5	1	p. 33	133320506/0	8	2	p. 51	325110363/0	91	1	p. 11		
125601588/0	50	2	p. 33	133320506/0	35	9	p. 51	325110413/0	31	1	p. 47		
125670005/1	6	2	p. 63	133340036/0	11	1	p. 51	325110416/0	2	1	p. 15		
125670005/1	6	2	p. 65	133340040/0	11	1	p. 51	325110417/0	32	1	p. 15		
125670005/1	6	2	p. 67	133500007/0	12	2	p. 51	325110418/0	33	1	p. 15		
125670005/1	6	2	p. 69	133500030/0	25	2	p. 51	325110421/0	31	1	p. 47		
125670005/1	15	2	p. 63	133567000/0	45	1	p. 21	325120240/0	36	1	p. 11		
125670005/1	15	2	p. 65	133567000/0	45	1	p. 23	325120245/0	36	1	p. 11		
125670005/1	15	2	p. 67	135062014/0	23	1	p. 33	325122000/2	51	2	p. 3		
125670005/1	15	2	p. 69	135062811/0	48	1	p. 41	325122000/2	51	2	p. 7		
125670005/1	15	2	p. 69	135065600/0	26	1	p. 41	325140097/0	72	1	p. 53		
125670005/1	70	2	p. 33	138780531/0	2	1	p. 29	325160039/0	4	2	p. 57		
125670007/0	24	1	p. 41	138780531/0	2	1	p. 31	325160501/0	14	2	p. 43		
125670007/0	33	1	p. 41	182000200/1	61	1	p. 17	325207120/1	2	1	p. 11		
125670019/0	17	1	p. 13	182000200/1	61	1	p. 19	325207121/1	3	1	p. 11		
125722442/0	9	1	p. 51	182000200/1	61	1	p. 21	325207171/0	61	1	p. 15		
125722443/0	9	1	p. 51	182000200/1	61	1	p. 23	325207176/0	11	1	p. 57		
125722453/1	8	1	p. 61	182000200/1	61	1	p. 25	325207176/0	11	1	p. 59		
125722456/0	10	1	p. 61	182000201/2	24	1	p. 29	325253007/1	49	1	p. 15		
125722463/0	7	1	p. 61	182000201/2	24	1	p. 31	325256250/0	20	1	p. 11		
125722470/0	6	1	p. 61	182000212/0	61	1	p. 27	325280000/1	77	1	p. 53		
125722471/0	9	1	p. 61	182000590/1	2	2	p. 69	325318115/1	36	1	p. 41		
125722478/1	11	1	p. 61	182000592/0	12	2	p. 69	325318257/0	62	1	p. 33		
125730016/0	11	1	p. 11	182000598/0	2	2	p. 63	325318281/0	16	1	p. 13		
125730018/0	11	1	p. 11	182000598/0	2	2	p. 65	325318327/0	29	1	p. 61		
125795000/1	2	1	p. 57	182000598/0	2	2	p. 67	325394005/0	73	1	p. 53		
125795001/1	2	1	p. 59	182000599/0	12	2	p. 63	325410874/0	5	1	p. 11		
125840005/0	19	1	p. 33	182000599/0	12	2	p. 65	325410875/0	6	1	p. 11		
125840011/1	78	1	p. 53	182000599/0	12	2	p. 67	325430253/0	43	1	p. 3		
125840023/0	57	1	p. 13	182004340/1	42	1	p. 43	325430253/0	43	1	p. 7		
125840024/0	44	1	p. 37	182004341/1	41	1	p. 43	325547033/2	19	1	p. 61		
125840025/0	52	1	p. 39	182004347/0	21	1	p. 43	325547037/1	3	2	p. 15		
125840031/0	35	2	p. 37	182004348/0	20	1	p. 43	325547037/1	35	2	p. 15		
125943011/0	3	6	p. 45	182004608/0	91	1	p. 41	325547041/1	18	2	p. 37		
125943012/0	20	2	p. 21	182040073/0	24	1	p. 51	325547109/2	24	2	p. 11		
125943012/0	25	2	p. 29	182040192/0	1	1	p. 51	325547375/0	22	1	p. 15		
125943012/0	25	2	p. 31	182040192/0	24	1	p. 51	325580500/0	2	1	p. 61		
125943012/0	62	2	p. 17	182040201/0	1	1	p. 51	325580501/0	2	1	p. 61		
125943012/0	62	2	p. 19	182040202/0	1	1	p. 51	325580508/0	4	1	p. 61		
125943012/0	62	2	p. 23	182105973/0	22	1	p. 47	325592000/0	26	1	p. 29		
125943012/0	62	2	p. 25	182105974/0	22	1	p. 49	325592000/0	26	1	p. 31		
125943012/0	62	2	p. 27	182180090/0	51	1	p. 53	325592000/0	64	1	p. 17		
125950000/0	5	2	p. 63	182180091/0	51	1	p. 53	325592000/0	64	1	p. 19		
125950000/0	5	2	p. 65	182700001/0	26	2	p. 43	325599012/0	31	1	p. 11		
125950000/0	5	2	p. 67	182750003/0	11	1	p. 31	325599013/0	32	1	p. 11		
125950000/0	5	2	p. 69	182750003/0	31	1	p. 23	325600074/0	40	1	p. 11		
125950000/0	14	2	p. 63	182750010/0	16	1	p. 17	325601599/0	40	1	p. 41		
125950000/0	14	2	p. 65	182750010/0	16	1	p. 19	325601599/0	43	1	p. 33		
125950000/0	14	2	p. 67	182750010/0	16	1	p. 27	325605003/0	19	1	p. 11		
125950000/0	14	2	p. 69	182750010/0	17	1	p. 21	325650037/0	9	1	p. 41		
125961201/0	1	1	p. 61	182750010/0	31	1	p. 25	325650113/0	6	1	p. 37		
125961209/0	1	1	p. 61	182750014/0	11	1	p. 29	325650147/0	55	2	p. 3		
125961212/0	1	1	p. 61	325038004/0	1	1	p. 13	325650147/0	55	2	p. 7		
125961216/0	1	1	p. 61	325040624/0	13	2	p. 13	325670008/1	29	2	p. 37		
127394000/0	32	1	p. 49	325060034/1	20	1	p. 15	325670008/1	33	2	p. 37		
127430561/0	44	1	p. 21	325060156/2	1	1	p. 45	325670008/1	45	1	p. 37		
127430561/0	44	1	p. 23	325060157/1	2	1	p. 45	325670008/1	50	2	p. 37		
127570050/0	3	1	p. 13	325060160/0	21	1	p. 45	325670008/1	52	8	p. 43		
127590066/0	4	2	p. 63	325076858/0	1	1	p. 11	325670008/1	53	1	p. 39		
127590066/0	4	2	p. 65	325108025/0	8	1	p. 11	325670008/1	58	2	p. 39		
127590066/0	4	2	p. 67	325110319/0	31	1	p. 47	325670011/0	21	1	p. 37		
127598060/0	8	1	p. 25	325110320/0	31	1	p. 47	325670025/0	71	2	p. 33		
127598060/0	10	1	p. 27	325110322/0	94	1	p. 11	325735124/0	1	1	p. 59		
				325110326/0	105	1	p. 5	325735128/0	1	1	p. 57		

code	pos.	q.ty	page				
325735511/0	14	1	p. 37	382033117/0	44	1	p. 53
325735513/0	18	1	p. 13	382034036/0	41	1	p. 13
325743000/0	5	1	p. 13	382108021/0	32	2	p. 45
325743000/0	52	1	p. 13	382110252/0	8	2	p. 65
325755031/1	11	1	p. 47	382110253/0	17	2	p. 65
325755031/1	11	1	p. 49	382110273/1	31	1	p. 49
325755039/0	37	2	p. 3	382110274/0	8	2	p. 67
325755039/0	37	2	p. 7	382110275/0	17	2	p. 67
325755041/0	97	2	p. 11	382180048/0	26	1	p. 47
325755043/0	42	1	p. 3	382180062/0	5	1	p. 53
325755043/0	42	1	p. 7	382180120/0	23	1	p. 49
325755049/0	18	1	p. 33	382207200/1	8	1	p. 43
325774213/0	43	1	p. 53	382207201/2	9	1	p. 43
325774315/1	13	1	p. 47	382230377/1	49	1	p. 13
325774315/1	13	1	p. 49	382230379/1	50	1	p. 13
325774373/0	33	2	p. 45	382318217/0	7	1	p. 33
325774381/0	5	1	p. 45	382318219/1	2	1	p. 37
325774383/0	6	1	p. 45	382318289/0	13	1	p. 15
325774575/0	27	1	p. 61	382318289/0	47	1	p. 15
325785185/0	34	2	p. 15	382394003/0	23	1	p. 47
325785213/1	8	1	p. 13	382394607/0	4	1	p. 11
325785213/1	53	1	p. 13	382394853/0	41	1	p. 15
325785241/0	14	1	p. 3	382500037/1	1	1	p. 15
325785241/0	14	1	p. 7	382510077/0	89	1	p. 9
325785243/1	4	1	p. 3	382510079/0	88	1	p. 9
325785243/1	4	1	p. 7	382510081/0	103	1	p. 5
325785245/0	5	1	p. 3	382510083/0	102	1	p. 5
325785245/0	5	1	p. 7	382547029/0	1	1	p. 41
325785249/1	31	2	p. 3	382547041/1	52	1	p. 3
325785249/1	31	2	p. 7	382547041/1	52	1	p. 7
325785255/0	10	1	p. 3	382564151/0	1	1	p. 43
325785255/0	10	1	p. 7	382598003/1	19	1	p. 21
325785257/1	34	2	p. 3	382598005/2	35	1	p. 23
325785257/1	34	2	p. 7	382598009/2	18	1	p. 17
325785261/0	10	1	p. 15	382598009/2	18	1	p. 19
325785261/0	53	1	p. 15	382598029/0	35	1	p. 25
325785272/0	45	1	p. 47	382598039/0	18	1	p. 27
325785272/0	45	1	p. 49	382598065/0	13	1	p. 29
325785275/0	1	2	p. 47	382598065/0	13	1	p. 31
325785275/0	1	2	p. 49	382735502/0	42	1	p. 53
325785289/0	7	1	p. 59	382774249/0	1	1	p. 37
325785291/0	3	1	p. 59	382785084/1	4	1	p. 41
325785499/0	21	1	p. 3	382785151/2	8	1	p. 3
325785499/0	21	1	p. 7	382785151/2	8	1	p. 7
325869057/0	2	1	p. 17	382785153/1	17	2	p. 3
325869057/0	2	1	p. 19	382785153/1	17	2	p. 7
325869057/0	2	1	p. 21	382785191/0	37	1	p. 51
325869057/0	2	1	p. 23	382785201/0	56	1	p. 33
325869057/0	2	1	p. 25	382800110/0	21	1	p. 49
325869057/0	2	1	p. 27	382800111/0	21	1	p. 47
325961222/1	3	1	p. 61	382869023/0	24	1	p. 47
327063021/1	15	1	p. 61	382869029/1	26	1	p. 11
327546015/2	42	2	p. 37	382869035/0	2	1	p. 53
327670055/0	10	1	p. 33				
327772099/1	36	1	p. 51				
382000387/0	17	1	p. 37				
382000474/1	51	2	p. 43				
382000577/0	5	1	p. 15				
382000587/0	41	1	p. 37				
382000589/0	28	1	p. 37				
382000605/1	31	1	p. 15				
382000609/0	38	1	p. 15				
382000610/0	29	1	p. 13				
382000618/0	20	1	p. 37				