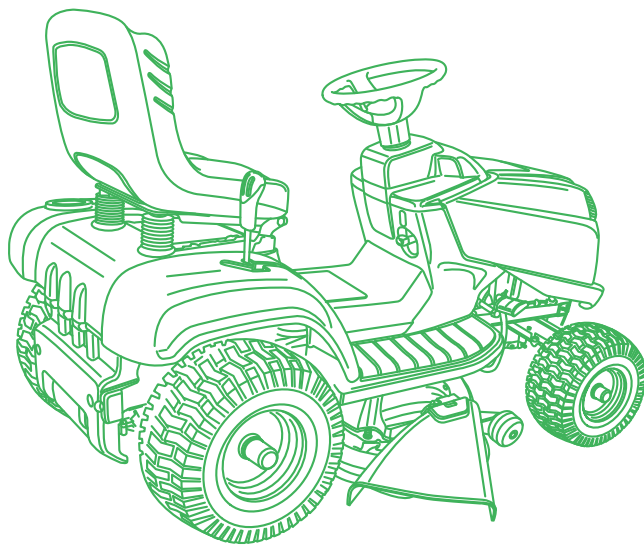


ILLUSTRATED PARTS LIST

SDX 98



- Use GLOBAL GARDEN PRODUCT Genuine Spare Parts specified in the parts list for repair and/or replacement.
- The contents described in the parts list may change due to improvement.
- The drawings of the spare parts are only indicative and might not represent the part in question exactly.
- The indications "right" - "left" - "front" - "rear" refer to the position of the operator when using the machine.
- When placing orders of parts for repair and/or replacement, make sure that the illustrated parts list is the one applying to the machine's year of manufacture, as shown on the identification plate attached to the machine.

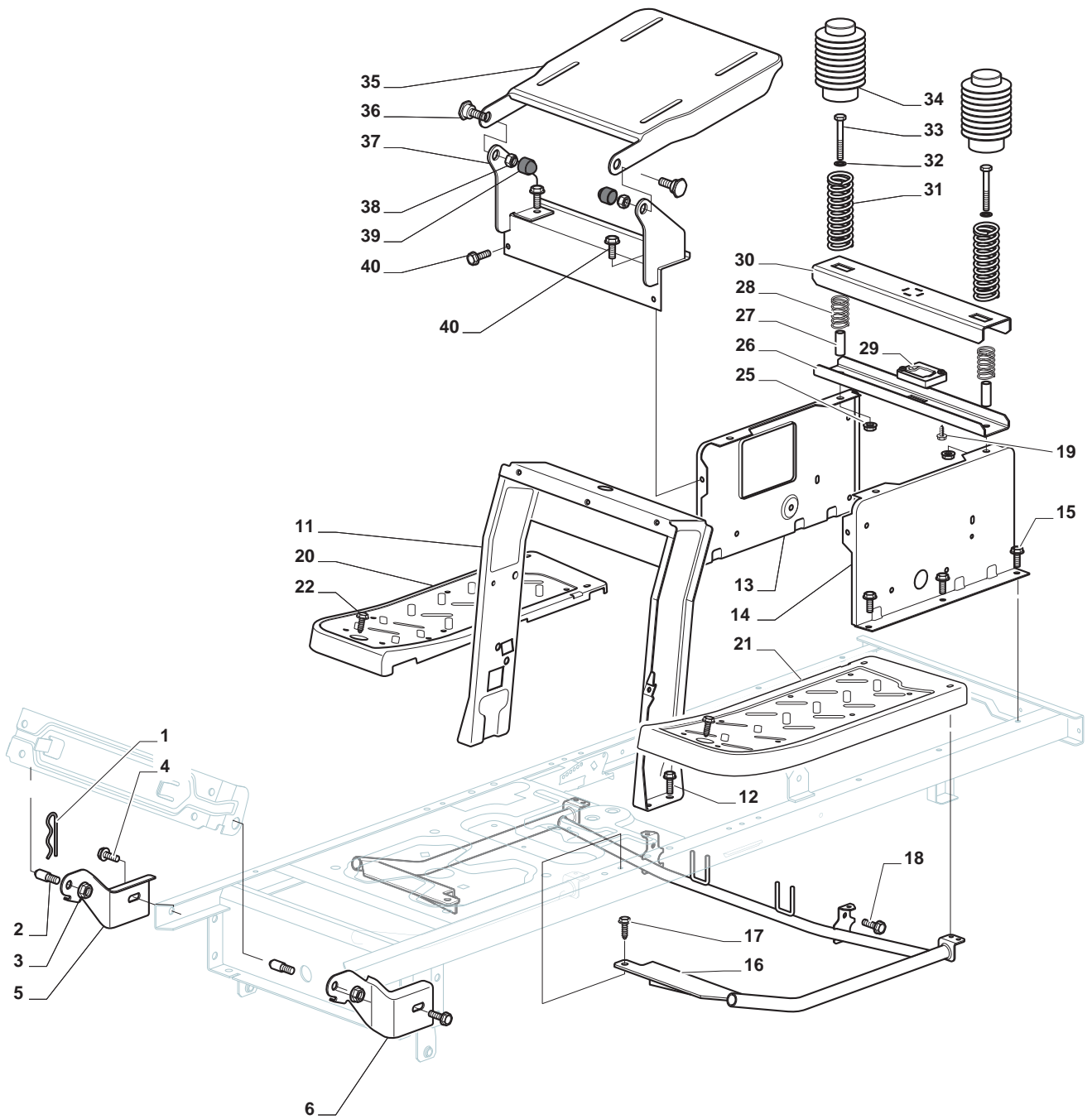
© Copyright 2014 Global Garden Products

All content is subject to copyright by Global Garden Products and may not be reproduced in whole or in part by any means, electronic or otherwise, without prior written approval.

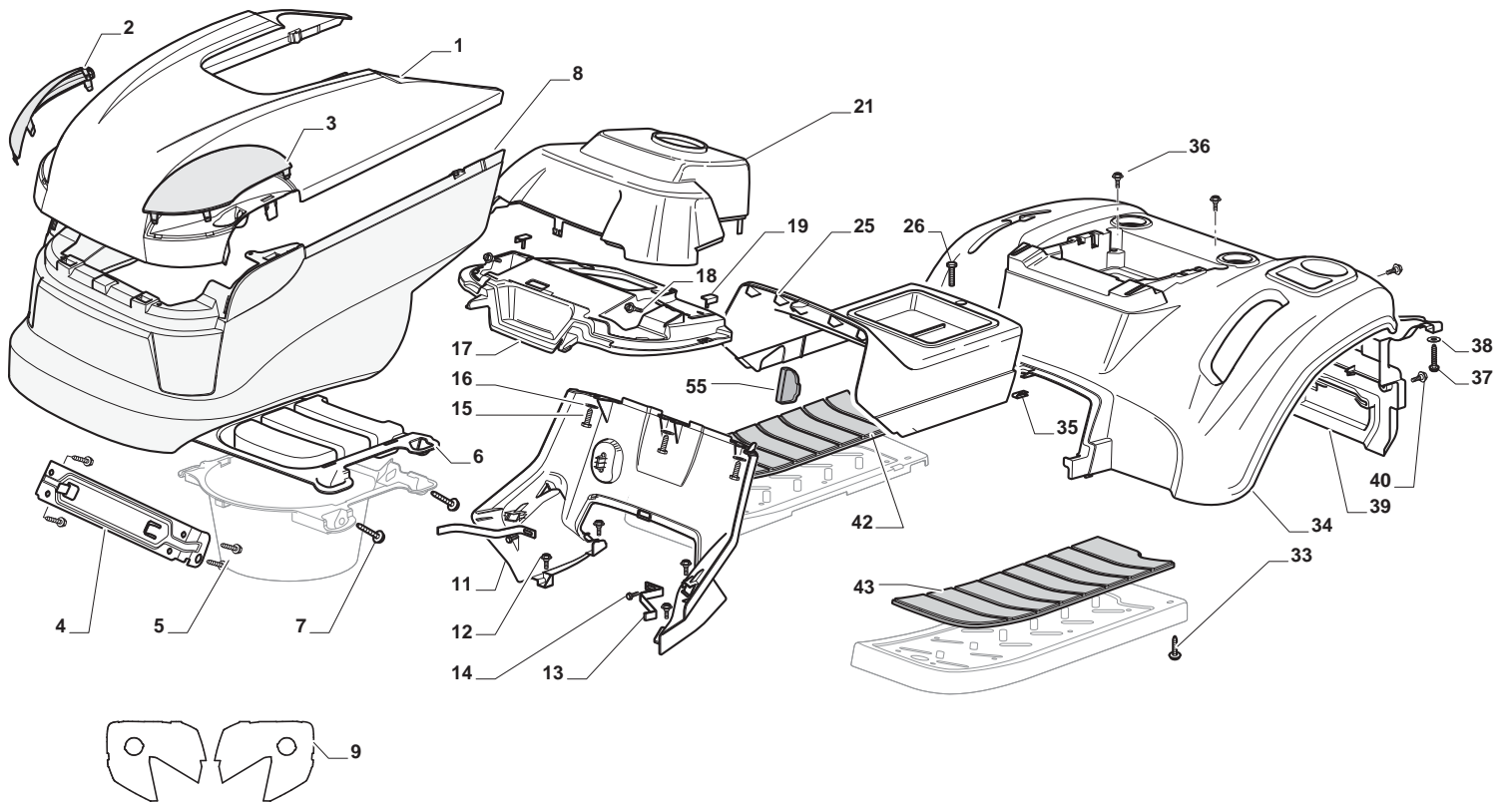
THIS INFORMATION IS NOT INTENDED FOR SALE OR RESALE, AND THIS NOTICE MUST REMAIN ON ALL COPIES.



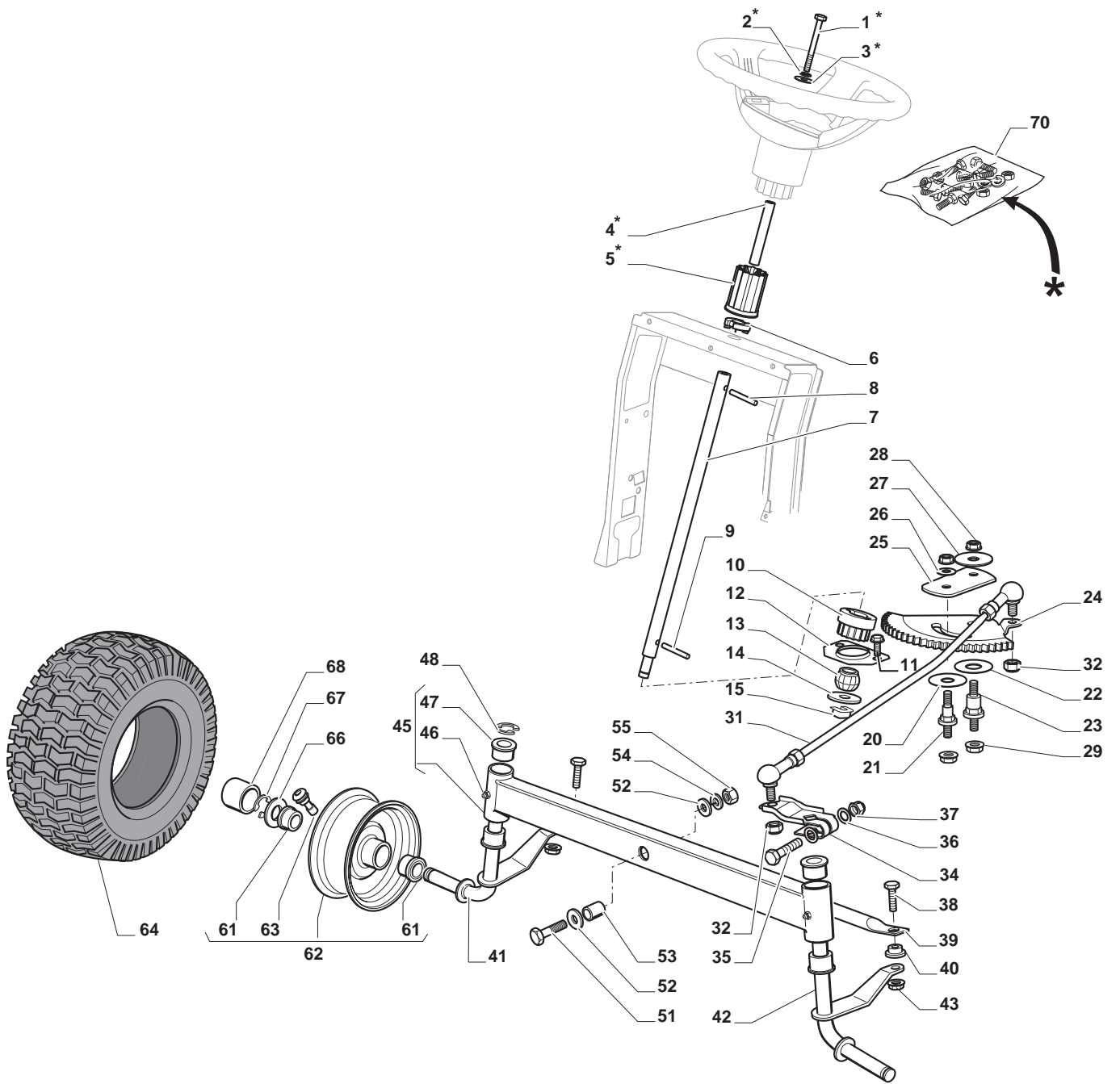
GLOBAL GARDEN PRODUCTS



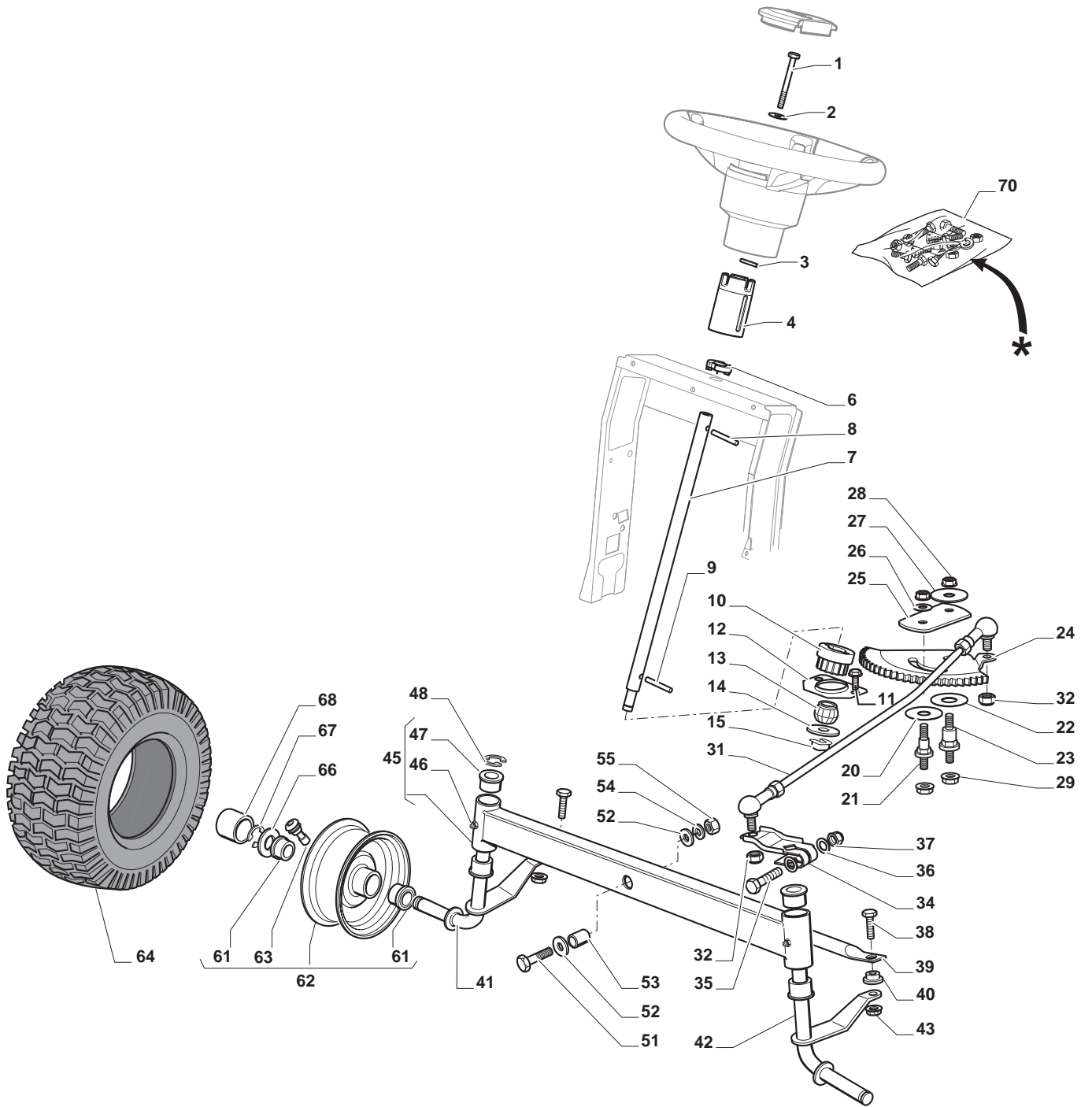
Chassis							
POS	CODE	Q.TY	DESCRIPTION	DESCRIZIONE	DESCRIPTION	BESCHREIBUNG	NOTES
1	124487998/0	1	Cotter Pin	Copiglia	Goupille	Split	
2	125510079/1	2	Pin	Perno	Pivot	Bolzen	
3	112155000/0	2	Nut	Dado	Ecrou	Nuss	
4	112735599/0	2	Screw	Vite	Vis	Schraube	
5	325547225/0	1	Right Plate	Piastrina Destra	Plaquette Droit	Rechte Plättchen	
6	325547227/0	1	Left Plate	Piastrina Sinistra	Plaquette Gauche	Linke Platte	
11	382785169/1	1	Steering Column Support	Supporto Piantone	Support Tube De Direction	Lenkungsaeulehalter	
12	125943009/0	4	Screw	Vite	Vis	Schraube	
13	325785331/1	1	Right Seat Support	Supporto Sedile Destro	Support Siege Droit	Rechte Sitzhalter	
14	325785333/1	1	Left Seat Support	Supporto Sedile Sinistro	Support Siege Gauche	Linke Sitzhalter	
15	125943009/0	6	Screw	Vite	Vis	Schraube	
16	382785179/0	1	Footboard Support	Supporto Pedana	Marchepied Support	Fussbretthalter	
17	125943009/0	2	Screw	Vite	Vis	Schraube	
18	125943009/0	2	Screw	Vite	Vis	Schraube	
19	112728686/0	2	Screw	Vite	Vis	Schraube	
20	325500041/1	1	Right Footboard	Pedana Destra	Marchepied Droit	Rechte Fussbrett	
21	325500043/1	1	Left Footboard	Pedana Sinistra	Marchepied Gauche	Linke Fussbrett	
22	112735599/0	2	Screw	Vite	Vis	Schraube	
25	112293201/0	2	Nut	Dado	Ecrou	Nuss	
26	325820109/1	1	Seat Support	Supporto Sedile	Support Siege	Sitzhalter	
27	125160048/0	2	Spacer	Distanziale	Entretoise	Distanzring	
28	125430263/0	2	Spring	Molla	Ressort	Feder	
29	325785379/1	1	Support	Supporto	Support	Halter	
30	325820111/1	1	Support	Supporto	Support	Halter	
31	125430264/0	2	Spring	Molla	Ressort	Feder	
32	112521350/0	2	Washer	Rondella	Rondelle	Scheibe	
33	112691400/0	2	Screw	Vite	Vis	Schraube	
34	325122002/0	2	Hood	Cuffia	Protecteur	Schutzkasten	
35	382547061/0	1	Plate	Plate	Plate	Plate	
36	122524970/2	2	Fulcrum Pin	Perno Fulcro	Pivot	Gelenkpunkt	
37	382820151/0	1	Seat Support	Supporto Sedile	Support Siege	Sitzhalter	
38	112155010/0	2	Nut	Dado	Ecrou	Nuss	
39	118203854/0	2	Screw	Vite	Vis	Schraube	
40	125943009/0	4	Screw	Vite	Vis	Schraube	



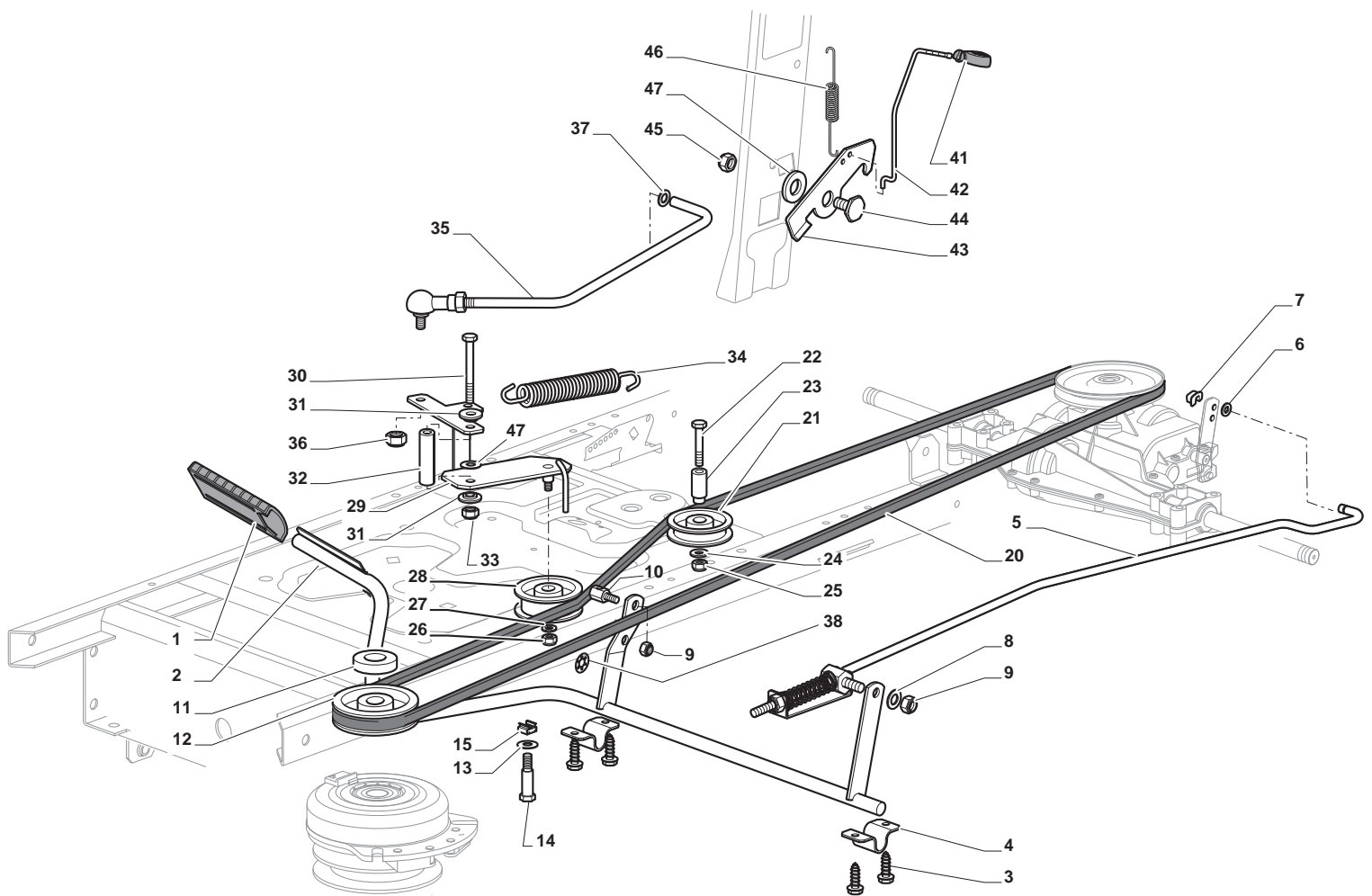
Body							
POS	CODE	Q.TY	DESCRIPTION	DESCRIZIONE	DESCRIPTION	BESCHREIBUNG	NOTES
1	325076910/0	1	Upper Engine Hood Red	Cofano Superiore Rosso	Capot Superieure Rouge	Oberhaubesatz Rot	
2	325410901/0	1	Right Grill	Mascherina Destra	Protection, Droit	Rechte Schutz	
3	325410902/0	1	Left Grill	Mascherina Sinistra	Protection, Gauche	Linke Schutz	
4	325785365/0	1	Engine Hood Support	Supporto Cofano	Support Capot	Haubehalter	
5	112735403/0	4	Screw	Vite	Vis	Schraube	
6	325263302/1	1	Air Intake Grill	Griglia Aspirazione	Grille D'Aspiration	Ansauggitter	
7	112728692/0	4	Screw	Vite	Vis	Schraube	
8	325076911/1	1	Lower Engine Hood	Cofano Inferiore	Capot Inferieure	Unterhaubesatz	
9	114363476/0	1	Label	Etichetta	Etiquette	Etikett	
11	325785298/0	1	Dashboard Support	Supporto Cruscotto	Support Tableau Comm.	Konsolehalter	
12	125943010/0	4	Screw	Vite	Vis	Schraube	
13	325270325/0	2	Guide	Guida	Guide	Führung	
14	112735599/0	2	Screw	Vite	Vis	Schraube	
15	112735406/0	3	Screw	Vite	Vis	Schraube	
16	112523040/0	3	Washer	Rondella	Rondelle	Scheibe	
17	325120209/0	1	Dashboard	Cruscotto	Console	Konsole	
18	125943010/0	2	Screw	Vite	Vis	Schraube	
19	325260003/0	2	Grommet	Gommino	Caoutchouc	Gummi	
21	325120203/0	1	Cover	Coperchio	Couvercle	Deckel	
25	325110383/1	1	Cover, Red	Capottina Rossa	Capot Rouge	Haube Rot	
26	125943010/0	1	Screw	Vite	Vis	Schraube	
33	112735406/0	4	Screw	Vite	Vis	Schraube	
34	325110382/0	1	Red Wheels Cover	Copertura Ruote Rosso	Couvre Roues Rouge	Radenkappe Rot	
35	112437506/0	1	Plate	Piastrina	Plaquette	Plättchen	
36	125943010/0	2	Screw	Vite	Vis	Schraube	
37	112735406/0	2	Screw	Vite	Vis	Schraube	
38	112523040/0	2	Washer	Rondella	Rondelle	Scheibe	
39	325547208/2	1	Plate	Piastrina	Plaquette	Plättchen	
40	125943010/0	2	Screw	Vite	Vis	Schraube	
42	325110384/0	1	Right Footboard Cover	Copripedana Destra	Couvre Marchepied Droit	Rechte Fussbrettdeckel	
43	325110385/0	1	Left Footboard Cover	Copripedana Sinistra	Couvre Marchepied Gauche	Linke Fussbrettdeckel	
55	325207191/0	1	Plate	Piastrina	Plaquette	Plättchen	



Steering							
POS	CODE	Q.TY	DESCRIPTION	DESCRIZIONE	DESCRIPTION	BESCHREIBUNG	NOTES
1	112692050/0	1	Screw	Vite	Vis	Schraube	
2	112540260/0	1	Grower	Grower	Grower	Federring	
3	112523070/0	1	Washer	Rosetta	Rondelle	Scheibe	
4	125160047/0	1	Spacer	Distanziale	Entretoise	Distanzring	
5	325785318/0	1	Support	Supporto	Support	Halter	
6	325038008/0	1	Bushing	Bushing	Bushing	Bushing	
7	125520007/0	1	Steering Column	Piantone Sterzo	Tube De Direction	Lenkungsaeule	
8	112620300/0	1	Pin	Perno	Pivot	Bolzen	
9	112622650/0	1	Pin	Perno	Pivot	Bolzen	
10	125570003/0	1	Pinion	Pignone	Pignon	Ritzel	
11	127943051/0	2	Screw	Vite	Vis	Schraube	
12	325785213/1	1	Support	Supporto	Support	Halter	
13	325743000/0	1	Joint Tc/Junior	Snodo	Joint	Gelenk	
14	112521370/0	1	Washer	Rosetta	Rondelle	Scheibe	
15	112436030/0	1	Plate	Piastra	Plaque	Platte	
20	322672151/0	1	Antifriction Washer	Rondella Antifrizione	Rondelle Antifriction	Anti Friktionswäscher	
21	125510104/0	1	Pin	Perno	Pivot	Bolzen	
22	125670023/0	1	Washer	Rosetta	Rondelle	Scheibe	
23	125510109/0	1	Pin	Perno	Pivot	Bolzen	
24	325735519/0	1	Steering Shaft	Settore Sterzo	Secteur Direction	Lenkkranz	
25	325547233/0	1	Plate	Piastra	Plaque	Platte	
26	112369500/0	1	Elastic Washer	Disco Elastico	Disque Elastique	Federscheibe	
27	122160400/0	1	Elastic Washer	Disco Elastico	Disque Elastique	Federscheibe	
28	112155010/0	2	Nut	Dado	Ecrou	Mutter	
29	112155010/0	2	Nut	Dado	Ecrou	Mutter	
31	382000566/2	1	Steering Rod	Asta Comando Sterzo	Levier Barre De Direction	Lenkungsstab	
32	112156602/0	2	Nut	Dado	Ecrou	Mutter	
34	325318243/0	1	Lever	Leva	Levier	Hebel	
35	112692390/0	1	Screw	Vite	Vis	Schraube	
36	112521360/0	2	Washer	Rosetta	Rondelle	Scheibe	
37	112156602/0	1	Nut	Dado	Ecrou	Mutter	
38	125510103/0	2	Pin	Perno	Pivot	Bolzen	
39	325840029/0	1	Tie Rod	Tirante	Tirant	Spannstange	
40	325038007/0	2	Bushing	Bussola	Douille	Büchse	
41	382230369/0	1	Right Stub Axle	Fusello Destro	Fuseau Droit	Rechter Achsschenkel	13"
41	382230373/0	1	Right Stub Axle	Fusello Destro	Fuseau Droit	Rechter Achsschenkel	15"
42	382230371/0	1	Left Stub Axle	Fusello Sinistro	Fuseau Gauche	Linker Achsschenkel	13"
42	382230375/0	1	Left Stub Axle	Fusello Sinistro	Fuseau Gauche	Linker Achsschenkel	15"
43	112155000/0	2	Nut	Dado	Ecrou	Mutter	
45	382034030/0	1	Equalizer With Bush And Lubricator	Bilanciere Con Boccola Ed Ingrassatore	Balancier Avec Douille Et Graisseur	Kipphebel Mit Büchse Und Fettbüchse	
46	112379511/0	2	Grease Dispenser	Ingrassatore	Graisseur	Fettbüchse	
47	125034002/1	4	Bush	Bussola	Douille	Büchse	
48	112001010/0	1	Benzing Ring	Anello Benzing	Anneau Benzing	Ring Benzing	
51	112692695/0	1	Screw	Vite	Vis	Schraube	
52	112523100/0	2	Washer	Rosetta	Rondelle	Scheibe	
53	125160016/0	1	Equalizer Spacer	Distanziale	Entretoise	Distanzring	
54	112587100/0	1	Grower	Grower	Grower	Federring	
55	112295300/0	1	Hexagonal Nut	Dado	Ecrou	Mutter	
61	125122200/2	4	Bearing	Cuscinetto	Roul. À Billes	Kugellager	
62	182000598/0	2	Rimm	Cerchio Ruota	Bandage Roue	Vorderrad Felger	
63	125950000/0	2	Valve	Valvola	Vanne	Ventil	
64	125590014/0	2	Tyre	Pneumatico	Pneu	Reifen	13"
64	127590066/0	2	Tyre	Pneumatico	Pneu	Reifen	15"
66	125670005/1	2	Washer	Rosetta	Rondelle	Scheibe	
67	112001010/0	2	Benzing Ring	Anello Benzing	Anneau Benzing	Ring Benzing	
68	322110233/0	2	Hub Cap Grey	Coprimozzo Grigio	Couvre-Moyeu Gris	Radkappe Grau	
70	382180124/0	1	Screw	Vite	Vis	Schraube	

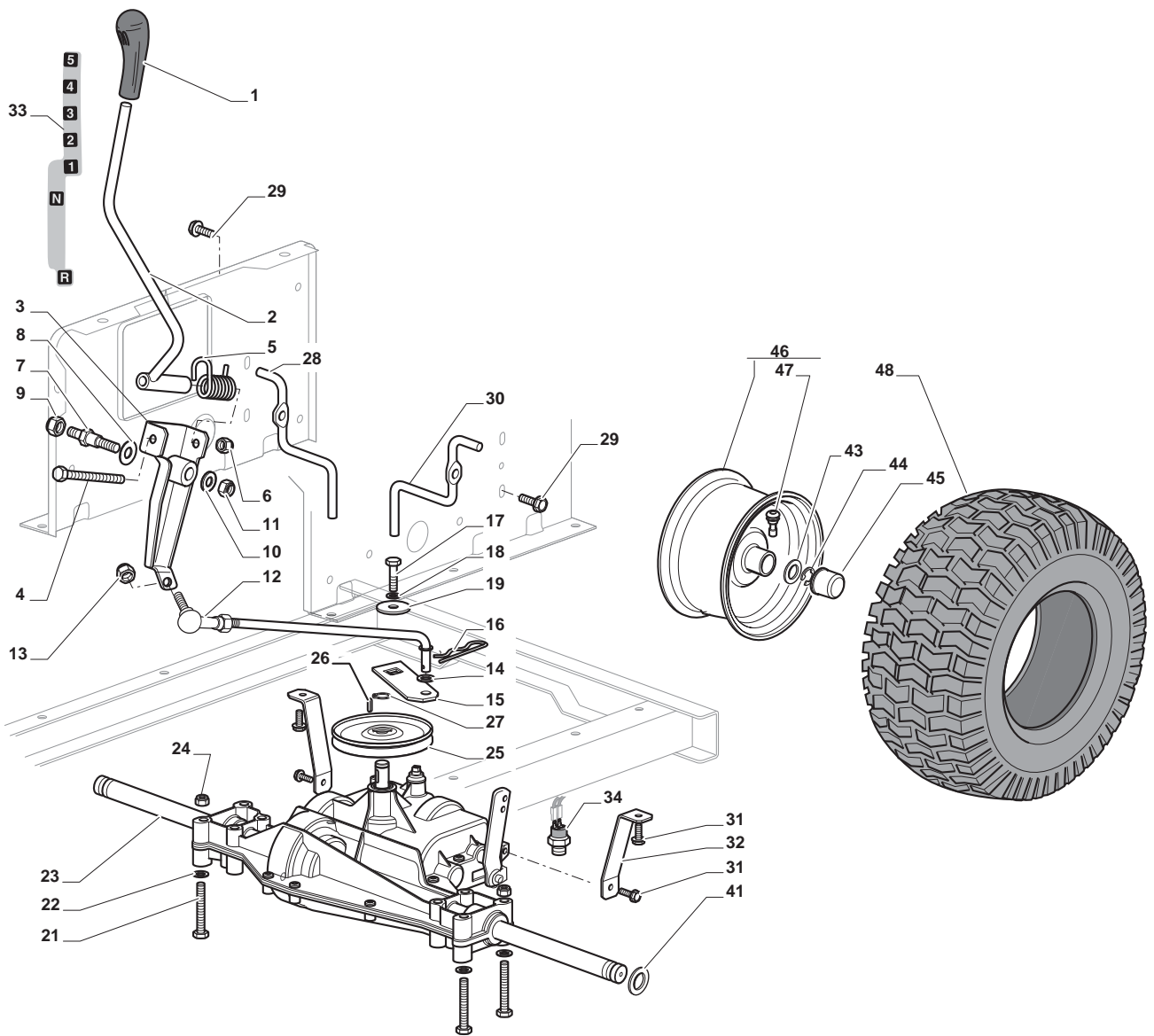


Steering							for STIGA models
POS	CODE	Q.TY	DESCRIPTION	DESCRIZIONE	DESCRIPTION	BESCHREIBUNG	NOTES
1	112692050/0	1	Screw	Vite	Vis	Schraube	
2	112540260/0	1	Washer	Rondella	Rondelle	Scheibe	
3	112523070/0	1	Pin	Spina	Ressort	Stift	
4	382785266/0	1	Support	Supporto	Support	Halter	
6	325038008/0	1	Bushing	Boccola	Douille	Büchse	
7	125520007/0	1	Steering Column	Piantone Sterzo	Tube De Direction	Lenkungsaeule	
8	112620300/0	1	Pin	Spina	Ressort	Stift	
9	112622650/0	1	Pin	Spina	Goupille	Stift	
10	125570003/0	1	Pinion	Pignone	Pignon	Ritzel	
11	127943051/0	2	Screw	Vite	Vis	Schraube	
12	325785213/1	1	Support	Supporto	Support	Halter	
13	325743000/0	1	Joint Tc/Junior	Snodo	Joint	Gelenk	
14	112521370/0	1	Washer	Rondella	Rondelle	Scheibe	
15	112436030/0	1	Plate	Piastrina	Plaque	Plattechen	
20	322672151/0	1	Antifriction Washer	Rondella Antifrizione	Rondelle Antifricion	Anti Friktionswäscher	
21	125510104/0	1	Pin	Perno	Pivot	Bolzen	
22	125670023/0	1	Washer	Rondella	Rondelle	Scheibe	
23	125510109/0	1	Pin	Perno	Pivot	Bolzen	
24	325735519/0	1	Steering Shaft	Settore Sterzo	Secteur Direction	Lenkkranz	
25	325547233/0	1	Plate	Piastrina	Plaque	Plättchen	
26	112369500/0	1	Elastic Washer	Disco Elastico	Disque Elastique	Federscheibe	
27	122160400/0	1	Elastic Washer	Disco Elastico	Disque Elastique	Federscheibe	
28	112155010/0	2	Nut	Dado	Écrou	Mutter	
29	112155010/0	2	Nut	Dado	Écrou	Mutter	
31	382000566/2	1	Rod	Asta	Tige	Stange	
32	112156602/0	2	Nut	Dado	Écrou	Mutter	
34	325318243/0	1	Lever	Leva	Levier	Hebel	
35	112692390/0	1	Screw	Vite	Vis	Schraube	
36	112521360/0	2	Washer	Rondella	Rondelle	Scheibe	
37	112156602/0	1	Nut	Dado	Écrou	Mutter	
38	125510103/0	2	Pin	Perno	Pivot	Bolzen	
39	325840029/0	1	Tie Rod	Tirante	Tirant	Spannstange	
40	325038007/0	2	Bushing	Boccola	Douille	Büchse	
41	382230369/0	1	Right Stub Axle	Fusello Destro	Fuseau Droit	Rechter Achsschenkel	13"
41	382230373/0	1	Right Stub Axle	Fusello Destro	Fuseau Droit	Rechter Achsschenkel	15"
42	382230371/0	1	Left Stub Axle	Fusello Sinistro	Fuseau Gauche	Linker Achsschenkel	13"
42	382230375/0	1	Left Stub Axle	Fusello Sinistro	Fuseau Gauche	Linker Achsschenkel	15"
43	112155000/0	2	Nut	Dado	Écrou	Mutter	
45	382034030/0	1	Equalizer W/ Bush And Lubricator	Bilanciere Con Boccola Ed Ingrassatore	Balancier Avec Douille Et Graisseur	Kipphebel Mit Büchse Und Fettbüchse	
46	112379511/0	2	Grease Dispenser	Ingrassatore	Graisseur	Fettbüchse	
47	125034002/1	4	Bush	Boccola	Douille	Büchse	
48	112001010/0	1	Benzing Ring	Anello Benzing	Anneau Benzing	Ring Benzing	
51	112692695/0	1	Screw	Vite	Vis	Schraube	
52	112523100/0	2	Washer	Rondella	Rondelle	Scheibe	
53	125160016/0	1	Equalizer Spacer	Distanziale	Entretroise	Entfernungsstück	
54	112587100/0	1	Grower	Grower	Grower	Grower	
55	112295300/0	1	Nut	Dado	Ecrou	Mutter	
61	125122200/2	4	Bearing	Cuscinetto	Roulement	Lager	
62	182000598/0	2	Rimm	Cerchio Ruota	Bandage Roue	Vorderrad Felger	
63	125950000/0	2	Valve	Valvola	Soupape	Ventil	
64	125590014/0	2	Tyre	Pneumatico	Pneu	Reifen	13"
64	127590066/0	2	Tyre	Pneumatico	Pneu	Reifen	15"
66	125670005/1	2	Washer	Rosetta	Rondelle	Scheibe	
67	112001010/0	2	Benzing Ring	Anello Benzing	Anneau Benzing	Ring Benzing	
68	322110239/0	2	Hub Cover	Coprimozzo	Couvre-Moyeu Noir	Nabedeckel	Stiga Style
70	382180124/0	1	Screw	Vite	Vis	Schraube	



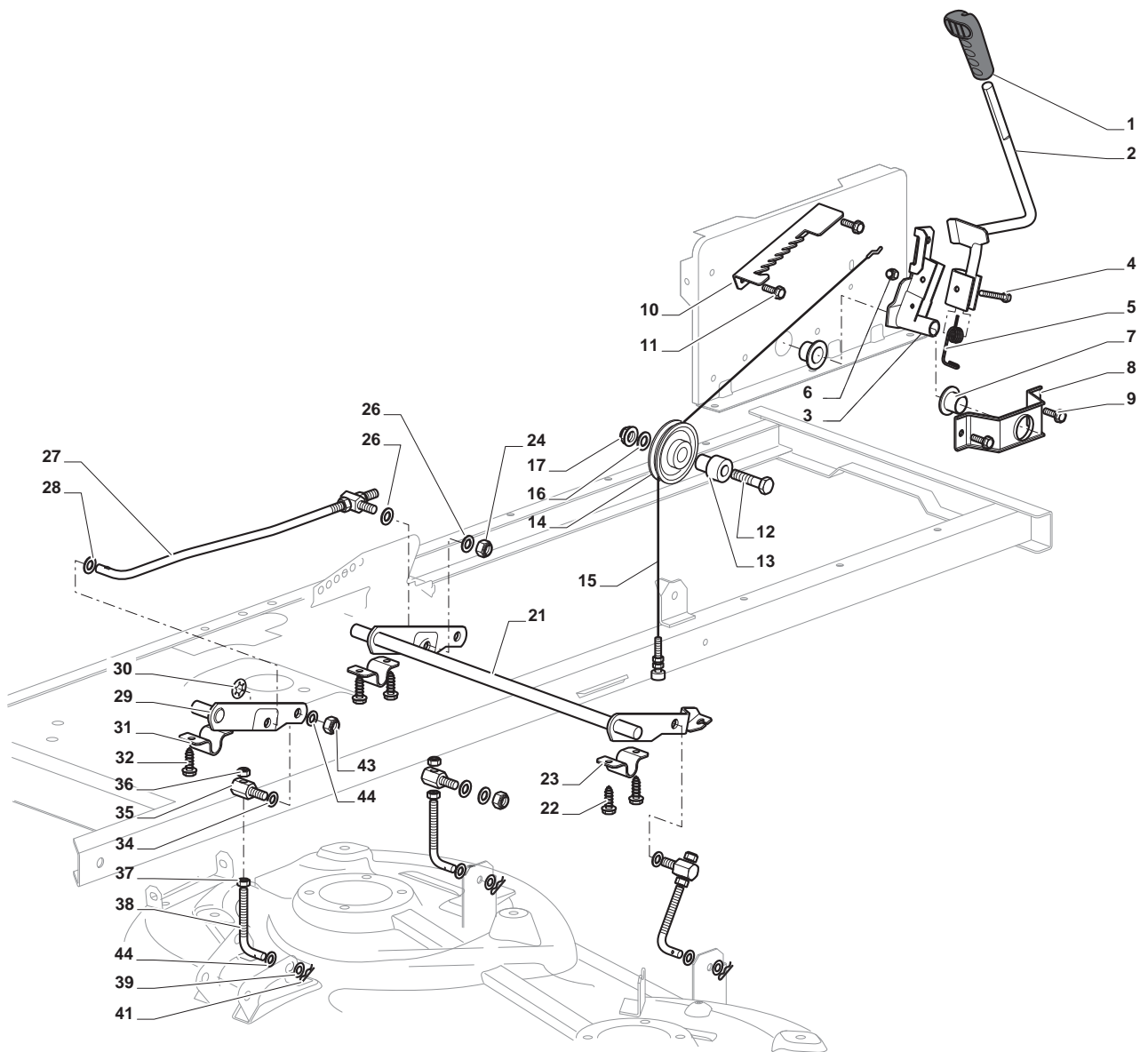
Brake And Gearbox Controls PEERLESS

POS	CODE	Q.TY	DESCRIPTION	DESCRIZIONE	DESCRIPTION	BESCHREIBUNG	NOTES
1	325110391/0	1	Clamp Cover	Copristaffa	Couvre Etrier	Bridedeckel	
2	382500047/0	1	Pedal	Pedale Freno	Pedal	Pedal	
3	112735599/0	4	Screw	Vite	Vis	Schraube	
4	325547231/0	2	Plate	Plate	Plate	Plate	
5	382000568/0	1	Rod	Asta	Tige	Stange	
6	112521350/0	1	Washer	Rondella	Rondelle	Scheibe	
7	112436050/0	1	Plate	Plate	Plate	Plate	
8	325670011/0	1	Antifriction Washer	Rondella Antifrizione	Rondelle Antifricition	Antifricition Scheibe	
9	112155000/0	1	Nut	Dado	Ecrou	Mutter	
10	125510116/0	1	Pin	Perno	Bolzen	Pivot	
11	125160021/0	1	Spacer	Distanziale	Entretoise	Distanzring	
12	125601567/0	1	Pulley	Puleggia	Poulie	Riemenscheibe	
13	112524010/0	2	Washer	Rondella	Rondelle	Scheibe	
14	125580030/0	2	Belt Guide	Piolo Guidacinghia	Guide De Courroie	Riemenführung	
15	112360425/0	2	Nut	Dado	Ecrou	Mutter	
20	135062014/0	1	Belt	Cinghia	Courroie	Riemen	
21	325601599/0	1	Pulley	Puleggia	Poulie	Riemenscheibe	
22	112691400/0	1	Screw	Vite	Vis	Schraube	
23	125160083/0	1	Spacer	Distanziale	Entretoise	Distanzring	
24	112523060/0	1	Washer	Rondella	Rondelle	Scheibe	
25	112155000/0	1	Nut	Dado	Ecrou	Mutter	
26	112155000/0	1	Nut	Dado	Ecrou	Mutter	
27	112523060/0	1	Washer	Rondella	Rondelle	Scheibe	
28	125601554/0	1	Pulley	Puleggia	Poulie	Riemenscheibe	
29	382318283/0	1	Tightener Lever	Leva Galoppino	Levier	Hebel	
30	112691600/0	1	Screw	Vite	Vis	Schraube	
31	125038002/1	2	Bush	Bussola	Douille	Buchse	
32	125160027/0	1	Spacer	Distanziale	Entretoise	Distanzring	
33	112155000/0	1	Nut	Dado	Ecrou	Mutter	
34	125430262/0	1	Spring	Molla	Ressort	Feder	
35	382820016/1	1	Tie Rod Ass.Y	Ass. Tirante	Ens. Tirant	Spannstange, Komplet	
36	112293201/0	1	Nut	Dado	Ecrou	Mutter	
37	124487997/0	1	Washer	Rondella	Rondelle	Scheibe	
38	112604899/0	1	Crown Fastener	Fissatore A Corona	Fixateur A Couronne	Kronescheibe	
41	125394509/1	1	Knob	Knob	Knob	Knob	
42	125033113/0	1	Rod	Asta	Tige	Stange	
43	325253011/1	1	Hook	Hook	Hook	Hook	
44	122524970/2	1	Fulcrum Pin	Perno Fulcro	Pivot	Gelenkpunkt	
45	112155000/0	1	Nut	Dado	Ecrou	Mutter	
46	125430213/0	1	Spring	Molla	Ressort	Feder	
47	112523060/0	1	Washer	Rondella	Rondelle	Scheibe	



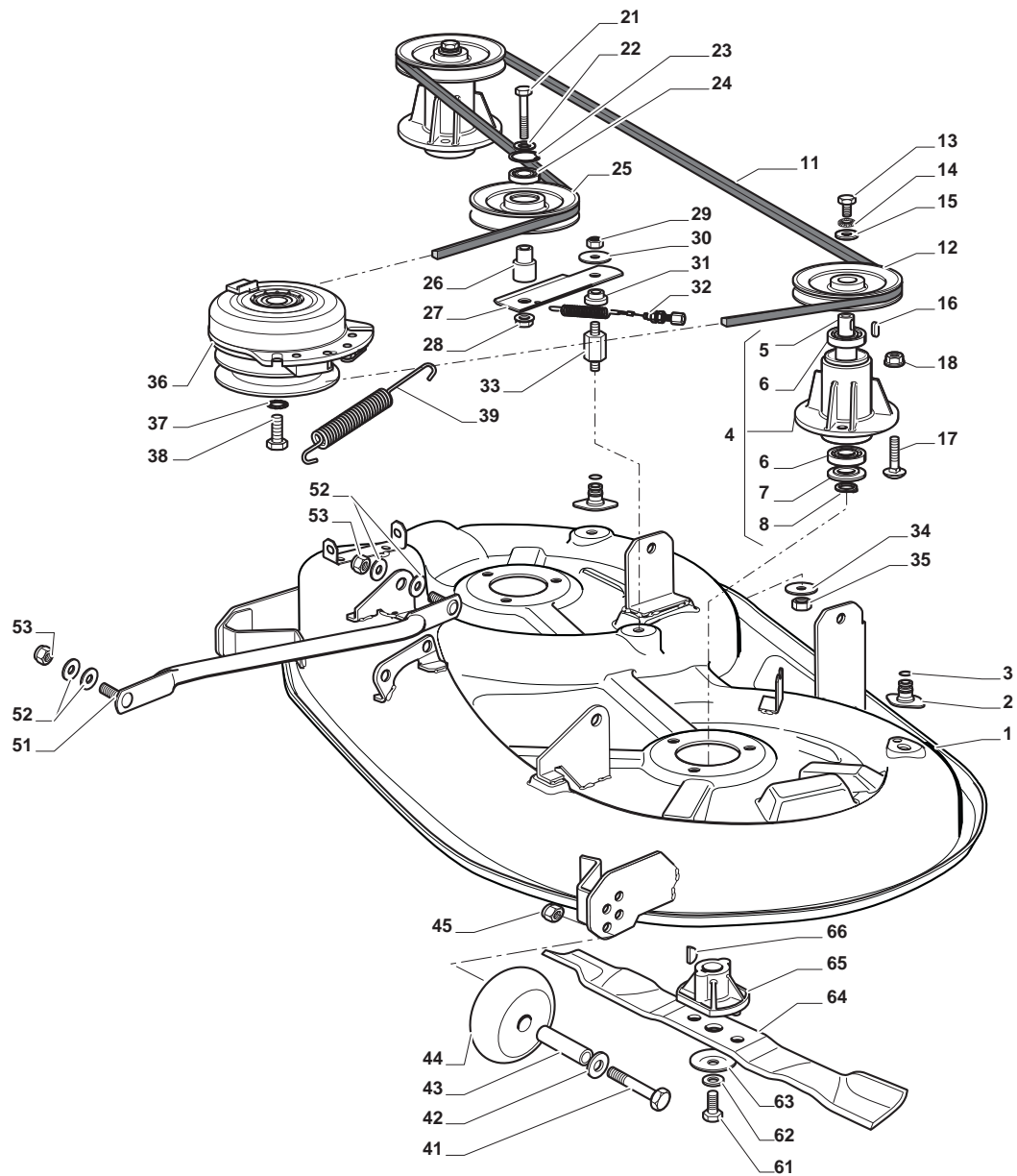
Transmission PEERLESS

POS	CODE	Q.TY	DESCRIPTION	DESCRIZIONE	DESCRIPTION	BESCHREIBUNG	NOTES
1	325394532/0	1	Knob	Manopolina	Poignée	Griff	
2	382318233/0	1	Lever	Leva	Levier	Hebel	
3	382774259/0	1	Clamp	Staffa	Etrier	Bride	
4	112692050/0	1	Screw	Vite	Vis	Schraube	
5	125430226/0	1	Spring	Molla	Ressort	Feder	
6	112155000/0	1	Nut	Dado	Ecrou	Mutter	
7	125510035/0	1	Pin	Perno	Pivot	Bolzen	
8	322672151/0	1	Antifriction Washer	Rondella Antifrizione	Rondelle Antifriction	Antifriction Scheibe	
9	112293201/0	1	Nut	Dado	Ecrou	Mutter	
10	112523060/0	1	Washer	Rondella	Rondelle	Scheibe	
11	112155010/0	1	Nut	Dado	Ecrou	Mutter	
12	382000567/0	1	Rod	Asta	Tige	Stange	
13	112154210/0	1	Nut	Dado	Ecrou	Mutter	
14	112521340/0	1	Washer	Rondella	Rondelle	Scheibe	
15	325318235/0	1	Lever	Leva	Levier	Hebel	
16	112141418/0	1	Cotter Pin	Copiglia	Goupille	Split	
17	112735520/0	1	Screw	Vite	Vis	Schraube	
18	112540040/0	1	Washer	Rondella	Rondelle	Scheibe	
19	322680009/0	1	Washer	Rondella	Rondelle	Scheibe	
21	112691600/0	4	Screw	Vite	Vis	Schraube	
22	112521350/0	4	Washer	Rondella	Rondelle	Scheibe	
23	118400910/2	1	Transmission	Transmission	Transmission	Transmission	
24	112155000/0	4	Nut	Dado	Ecrou	Mutter	
25	182601509/0	1	Pulley	Puleggia	Poulie	Riemenscheibe	
26	112139430/0	1	Key	Chiave	Clef	Schlüssel	
27	112608950/0	1	Seeger	Seeger	Seeger	Seeger	
28	125270329/0	1	Belt Guide	Guidacinghia	Guide De Courroie	Riemenführung	
29	112735599/0	2	Screw	Vite	Vis	Schraube	
30	125270330/0	1	Belt Guide	Guidacinghia	Guide De Courroie	Riemenführung	
31	125943009/0	4	Screw	Vite	Vis	Schraube	
32	325785315/0	2	Support	Support	Support	Support	
33	114363451/0	1	Label	Etichetta	Etiquette	Etikett	
34	119410608/1	1	Micro Lever	Micro Interruttore	Micro	Mikro	
41	125670005/2	2	Washer	Rondella	Rondelle	Scheibe	
43	125670005/1	6	Washer	Rondella	Rondelle	Scheibe	
44	112001010/0	2	Benzing Ring	Anello Benzing	Anneau Benzing	Ring Benzing	
45	322110233/0	2	Hub Cover	Coprimozzo	Couvre Moyeu	Nabendeckel	Standard Cover
45	322110239/0	2	Hub Cover	Coprimozzo	Couvre-Moyeu Noir	Nabendeckel	Stiga Style
46	382000597/0	2	Rimm	Cerchio Ruota	Bandage Roue	Vorderrad Felger	
47	125950000/0	2	Valve	Valve	Valve	Valve	
48	125590015/0	2	Tyre	Pneumatico	Pneu	Reifen	

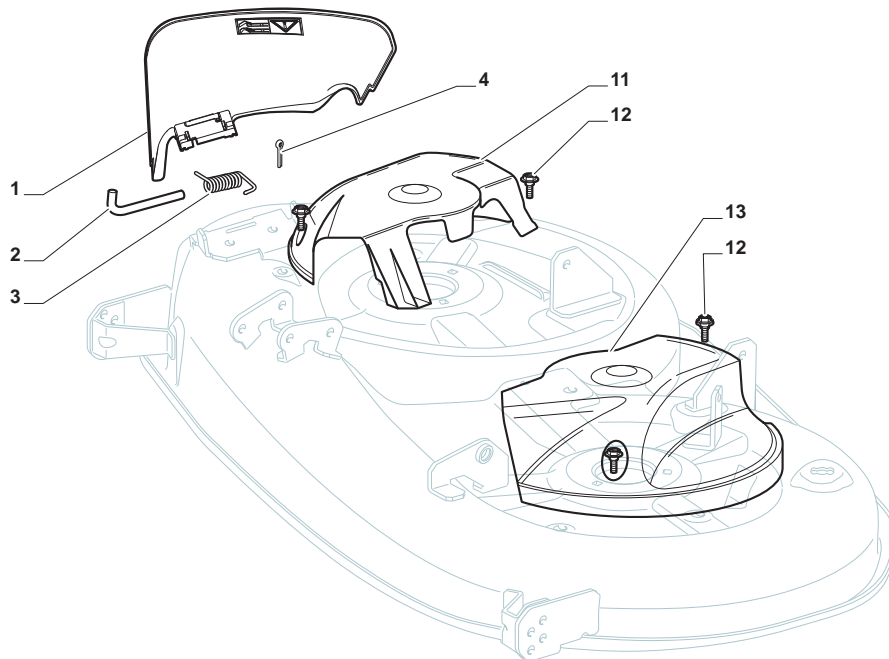


Cutting Plate Lifting

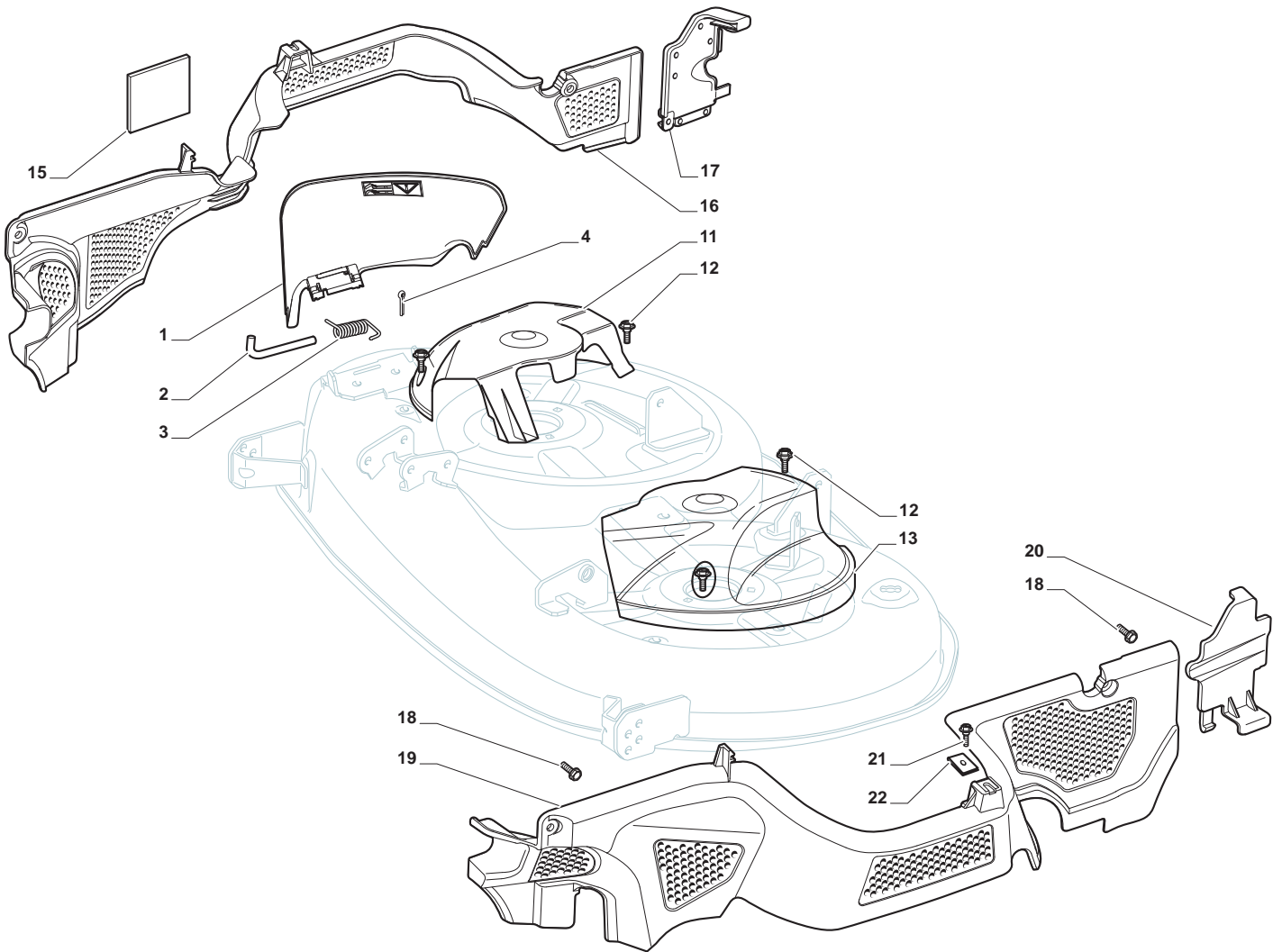
POS	CODE	Q.TY	DESCRIPTION	DESCRIZIONE	DESCRIPTION	BESCHREIBUNG	NOTES
1	325394533/0	1	Knob	Manopola	Poignee	Knopf	
2	382318229/0	1	Lever	Leva	Levier	Hebel	
3	382318231/0	1	Axle	Asse Avanzamento	Axe	Achse	
4	112674700/0	1	Screw	Vite	Vis	Schraube	
5	125430261/0	1	Spring	Molla	Ressort	Feder	
6	112154510/0	1	Nut	Dado	Ecrou	Mutter	
7	325038006/0	2	Bushing	Bussola	Douille	Buchse	
8	325785297/0	1	Support	Supporto	Support	Halter	
9	125943009/0	2	Screw	Vite	Vis	Schraube	
10	325735515/0	1	Steering Shaft	Settore Sterzo	Secteur Direction	Lenkkranz	
11	125943009/0	2	Screw	Vite	Vis	Schraube	
12	112793701/0	1	Screw	Vite	Vis	Schraube	
13	125040636/1	1	Bushing	Bussola	Douille	Buchse	
14	125601579/0	1	Pulley	Puleggia	Poulie	Riemenscheibe	
15	382004620/0	1	Wire	Filo	Fil	Kabel	
16	112523060/0	1	Washer	Rosetta	Rondelle	Scheibe	
17	112293201/0	1	Nut	Dado	Ecrou	Mutter	
21	382318239/0	1	Axle	Asse Avanzamento	Axe	Achse	
22	112735599/0	4	Screw	Vite	Vis	Schraube	
23	325547231/0	2	Plate	Piastra	Plaque	Platte	
24	112155000/0	1	Nut	Dado	Ecrou	Mutter	
26	325670011/0	2	Antifriction Washer	Rondella Antifrizione	Rondelle Antifriction	Anti Friktionswäscher	
27	382000569/1	1	Connecting Rod	Asta Collegamento	Tige De Connexion	Verbindungsstab	
28	112521350/0	1	Washer	Rosetta	Rondelle	Scheibe	
29	382318237/0	1	Axle	Asse Avanzamento	Axe	Achse	
30	112604899/0	1	Crown Fastener	Fissatore A Corona	Fixateur A Couronne	Kronescheibe	
31	325547231/0	1	Plate	Piastra	Plaque	Platte	
32	112735599/0	2	Screw	Vite	Vis	Schraube	
34	325670008/1	3	Washer	Rosetta	Rondelle	Scheibe	
35	125510107/1	3	Pin	Perno	Pivot	Bolzen	
36	112156602/0	3	Nut	Dado	Ecrou	Mutter	
37	112295200/0	3	Hexagonal Nut	Dado	Ecrou	Mutter	
38	125840012/0	3	Tie Rod	Tirante	Tirant	Spannstange	
39	325670008/1	3	Washer	Rosetta	Rondelle	Scheibe	
41	124487998/0	3	Cotter Pin	Coppiglia	Goupille	Split	
43	112156602/0	3	Nut	Dado	Ecrou	Mutter	
44	112521360/0	6	Washer	Rosetta	Rondelle	Scheibe	



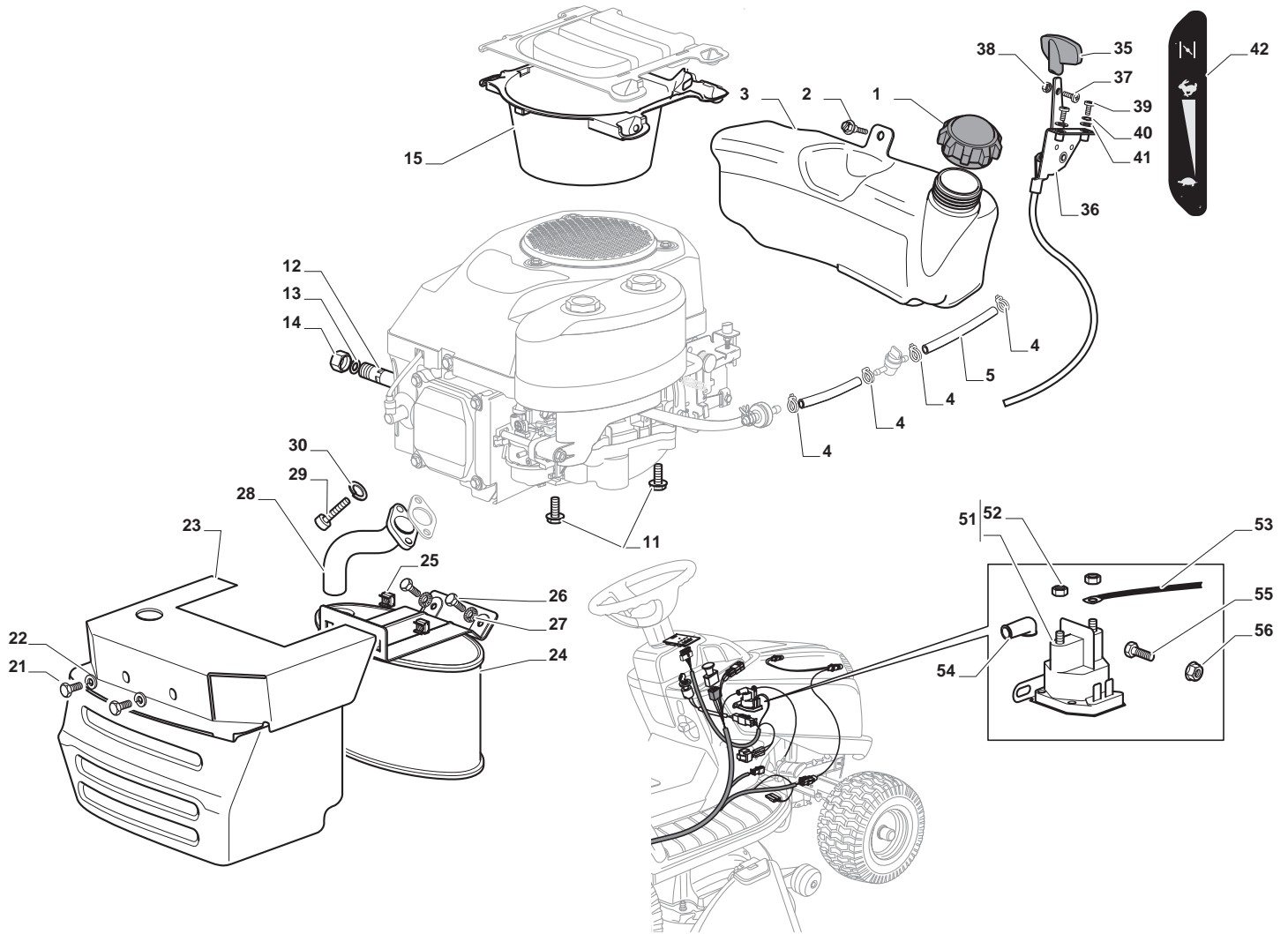
Cutting Plate							
POS	CODE	Q.TY	DESCRIPTION	DESCRIZIONE	DESCRIPTION	BESCHREIBUNG	NOTES
1	382564209/0	1	Cutting Plate Black	Piatto Di Taglio Nero	Plateau De Coupe Noir	Schneidwerkzeug Schwarz	
2	325033086/0	2	Water Hose Connection	Attacco Tubo Acqua	Raccord Tuyau D'Eau	Wasseranschluss	
3	119035000/0	2	O Ring	O Ring	O Ring	O Ring	
4	382207204/0	2	Flange Assy	Ass. Flangia	Ensamble Bride	Flansch, Komplet	
5	125020804/0	2	Shaft	Albero	Arbre	Welle	
6	119216047/0	4	Bearing	Cuscinetto	Roulement	Kugellager	
7	325160501/0	2	Dust Cover Disc	Disco Parapolvere	Protege-Poussiere	Staubschuttscheibe	
8	112609260/0	2	Seeger	Seeger	Seeger	Seeger	
11	135061504/0	1	Belt	Cinghia	Courroie	Riemen	
12	125601571/0	2	Pulley	Puleggia	Poulie	Riemenscheibe	
13	112793102/0	2	Screw	Vite	Vis	Schraube	
14	112540260/0	2	Grower	Grower	Grower	Federring	
15	125670007/0	2	Washer	Rondella	Rondelle	Scheibe	
16	112139480/0	2	Feather	Linguetta	Clavette	Keil	
17	112818700/0	6	Screw	Vite	Vis	Schraube	
18	112154210/0	6	Nut	Dado	Ecrou	Nuss	
21	112691900/0	1	Screw	Vite	Vis	Schraube	
22	112524010/0	1	Washer	Rondella	Rondelle	Scheibe	
23	112610800/0	1	Snap Ring	Anello Elastico	Anneau Élastique	Elastischer Ring	
24	119216048/0	1	Bearing	Cuscinetto	Roulement	Kugellager	
25	125601586/0	1	Pulley	Puleggia	Poulie	Riemenscheibe	
26	125160056/0	1	Spacer	Distanziale	Entretoise	Distanzring	
27	325318232/0	1	Lever	Leva	Levier	Hebel	
28	112293201/0	1	Nut	Dado	Ecrou	Nuss	
29	112155020/0	1	Nut	Dado	Ecrou	Nuss	
30	125670022/0	1	Washer	Rondella	Rondelle	Scheibe	
31	125040635/0	1	Bushing	Bussola	Douille	Büchse	
32	382004618/0	1	Wire	Filo	Fil	Kabel	
33	125160049/0	1	Spacer	Distanziale	Entretoise	Distanzring	
34	112523080/0	1	Washer	Rondella	Rondelle	Scheibe	
35	112156602/0	1	Nut	Dado	Ecrou	Nuss	
36	118399063/0	1	Clutch Assy	Ass. Frizione	Friction	Set Kupplung	
37	112543000/0	1	Washer	Rondella	Rondelle	Scheibe	
38	112737320/0	1	Screw	Vite	Vis	Schraube	
39	125430277/0	1	Spring	Molla	Ressort	Feder	
41	112692050/0	2	Screw	Vite	Vis	Schraube	
42	112523060/0	2	Washer	Rondella	Rondelle	Scheibe	
43	125510072/0	2	Pin	Perno	Pivot	Bolzen	
44	182700001/0	2	Anti Scalp Wheel	Ruotino Antiscalpo	Roulettes Antiscalp	Skalpierschutzrädchen	Ø 100
45	112293201/0	2	Nut	Dado	Ecrou	Nuss	
51	382000565/0	2	Equalizer Rod	Asta Bilanciere	Tige Balancier	Kipphebel	
52	325670008/1	8	Washer	Rondella	Rondelle	Scheibe	
53	112156602/0	4	Nut	Dado	Ecrou	Nuss	
61	112735694/0	2	Screw	Vite	Vis	Schraube	
62	112523080/0	2	Washer	Rondella	Rondelle	Scheibe	
63	122160400/0	2	Elastic Washer	Disco Elastico	Disque Elastique	Federscheibe	
64	182004346/0	2	Mulching Blade	Coltello	Lame	Messer	
65	125463200/0	2	Blade Hub	Mozzo Coltello	Moyeu Lame	Messerhalter	
66	112139100/0	2	Key	Chiave	Clef	Schlüssel	



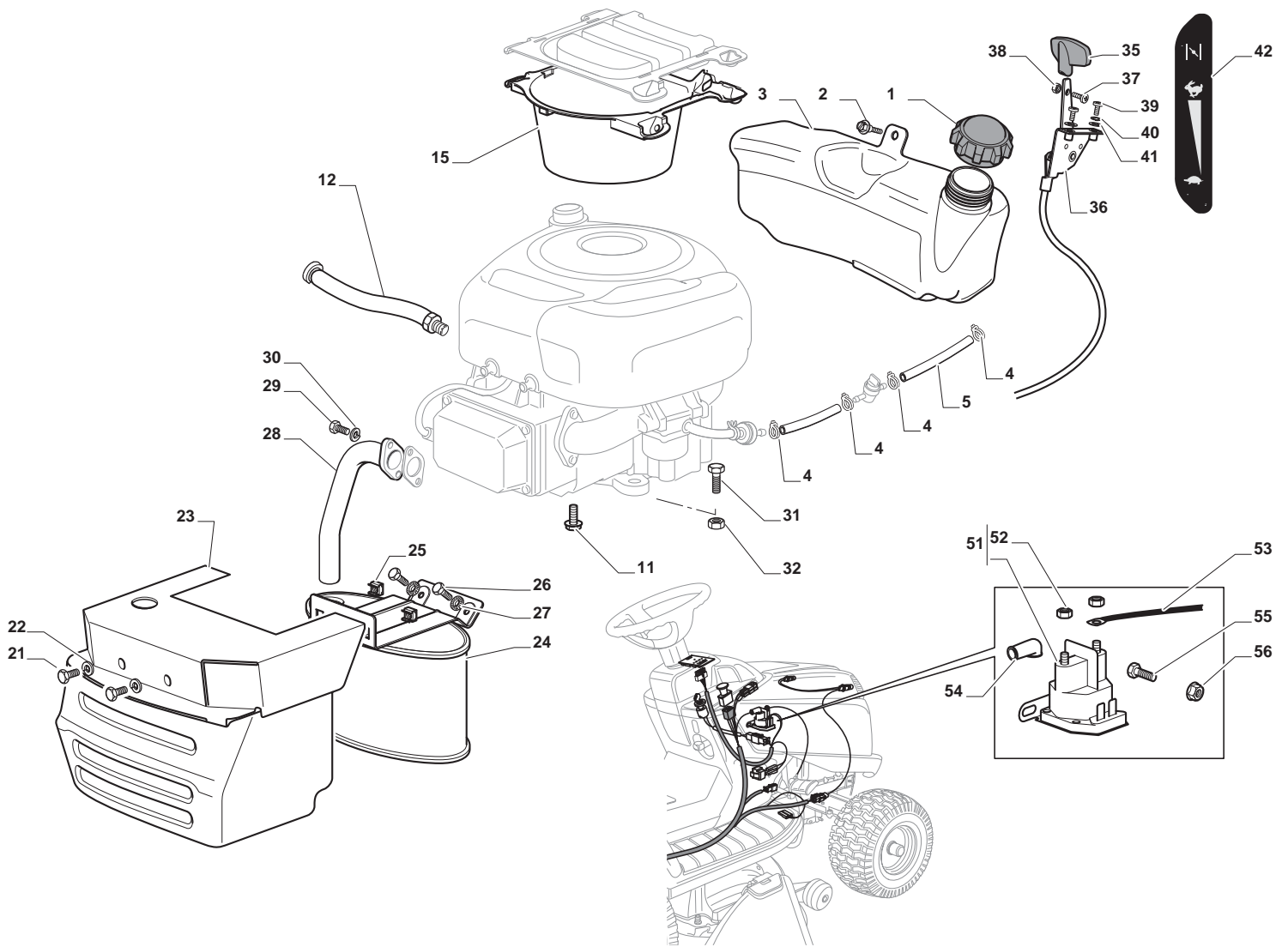
Guards							
POS	CODE	Q.TY	DESCRIPTION	DESCRIZIONE	DESCRIPTION	BESCHREIBUNG	NOTES
1	325600077/2	1	Exit Protection	Protezione Uscita	Protection En Sortie	Auswurfschutz	
2	125510073/0	1	Fulcrum Pin	Perno Fulcro	Pivot	Gelenkpunkt	
3	125430242/1	1	Spring	Molla	Ressort	Feder	
4	112141418/0	1	Cotter Pin	Copiglia	Goupille	Split	
11	325600078/0	1	Case	Carter	Carter	Blech	
12	125943010/0	4	Screw	Vite	Vis	Schraube	
13	325600079/0	1	Case	Carter	Carter	Blech	



Guards (Cemagref)							
POS	CODE	Q.TY	DESCRIPTION	DESCRIZIONE	DESCRIPTION	BESCHREIBUNG	NOTES
1	325600077/2	1	Exit Protection	Protezione Uscita	Protection En Sortie	Auswurfschutz	
2	125510073/0	1	Fulcrum Pin	Perno Fulcro	Pivot	Gelenkpunkt	
3	125430242/1	1	Spring	Molla	Ressort	Feder	
4	112141418/0	1	Cotter Pin	Copiglia	Goupille	Split	
11	325600078/0	1	Case	Carter	Carter	Blech	
12	125943010/0	4	Screw	Vite	Vis	Schraube	
13	325600079/0	1	Case	Carter	Carter	Blech	
15	325600084/0	1	Guard	Protezione	Protection	Schutz	
16	325060154/0	1	Case	Carter	Carter	Blech	
17	325600082/0	1	Guard	Protezione	Protection	Schutz	
18	125943011/0	4	Screw	Vite	Vis	Schraube	
19	325060155/0	1	Guard	Protezione	Protection	Schutz	
20	325600083/0	1	Guard	Protezione	Protection	Schutz	
21	127943051/0	2	Screw	Vite	Vis	Schraube	
22	112437506/0	2	Plate	Plate	Plate	Plate	

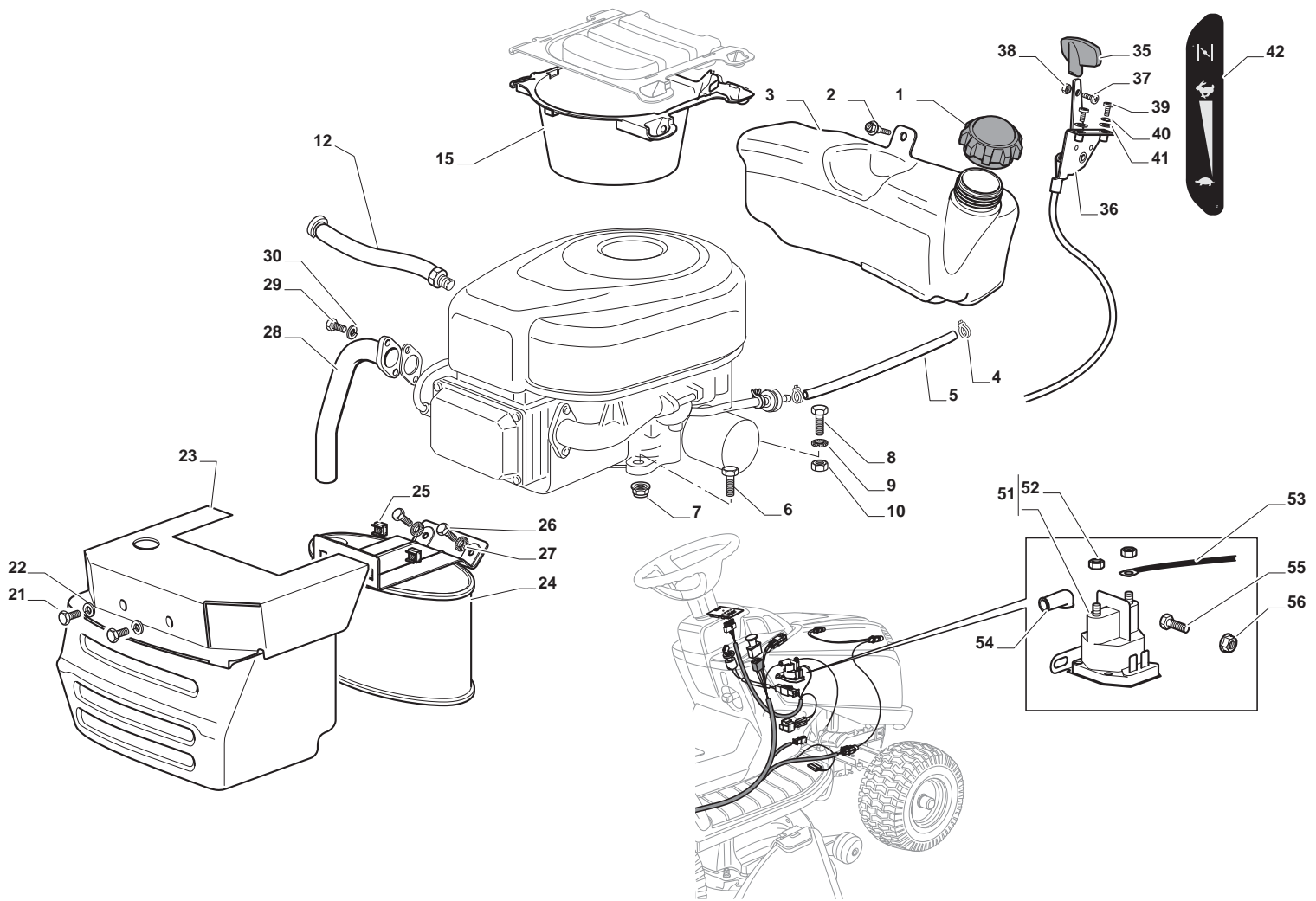


Engine GGP							
POS	CODE	Q.TY	DESCRIPTION	DESCRIZIONE	DESCRIPTION	BESCHREIBUNG	NOTES
1	125795001/1	1	Cap	Tappo Serbatoio	Bouchon	Tankverschluss	
2	125943010/0	4	Screw	Vite	Vis	Schraube	
3	325735126/0	1	Tank	Serbatoio	Reservoir	Tank	
4	118375051/1	4	Fair Led	Fascetta	Fixation De Cable	Kabelbefestigung	
5	325869057/0	1	Connecting Tube	Tube Collegamento	Tube De Connexion	Verbindungsrohr	
11	112735108/1	4	Screw	Vite	Vis	Schraube	
12	127598060/0	1	Oil Discharge Extension	Prolunga Scarico Olio	Rallonge Dechargement H	Öl Abfluss	
13	118401001/1	1	Oil Seal	Guarnizione	Garniture	Dichtung	
14	118737849/0	1	Plug	Tappo	Bouchon	Verschlussstopfen	
15	325108044/1	1	Conveyor	Convogliatore	Convoyeur	Konveyor	
21	112792611/0	2	Screw	Vite	Vis	Schraube	
22	112540260/0	2	Grower	Grower	Grower	Federring	
23	382598045/0	1	Muffler Protection	Protezione Silenziatore	Protection Silencieux	Auspuffschutz	
24	182750010/0	1	Muffler	Silenziatore	Silencieux	Schalldämpfer	
25	112360425/0	2	Nut	Dado	Ecrou	Mutter	
26	112792611/0	2	Screw	Vite	Vis	Schraube	
27	112540260/0	2	Grower	Grower	Grower	Federring	
28	118738231/1	1	Exhaust Tube	Tubo Scarico	Tube Echappement	Abgasungrohr	
29	112737450/0	2	Screw	Vite	Vis	Schraube	
30	112540260/0	2	Grower	Grower	Grower	Federring	
35	325394531/0	1	Knob	Manopolina	Poignée	Griff	
36	182000215/0	1	Accelerator	Acceleratore	Accelérateur	Gas Zug	
37	112726389/0	1	Screw	Vite	Vis	Schraube	
38	112290800/0	1	Nut	Dado	Ecrou	Mutter	
39	112726389/0	2	Screw	Vite	Vis	Schraube	
40	112540020/0	2	Washer	Rosetta	Rondelle	Scheibe	
41	112521310/0	2	Washer	Rosetta	Rondelle	Scheibe	
42	114363697/0	1	Label	Etichetta	Etiquette	Etikett	
51	118736111/0	1	Starter Relay	Relè Avviamento	Relais D'Allumage	Anlassrelais	
52	112360352/0	2	Nut	Dado	Ecrou	Mutter	
53	125065002/0	1	Cable	Cavo Relé Avv.	Cable	Kabel	
54	118564864/1	1	Protection	Cappuccio	Capuchon	Stecker	
55	112790781/0	1	Screw	Vite	Vis	Schraube	
56	112154510/0	2	Nut	Dado	Écrou	Mutter	



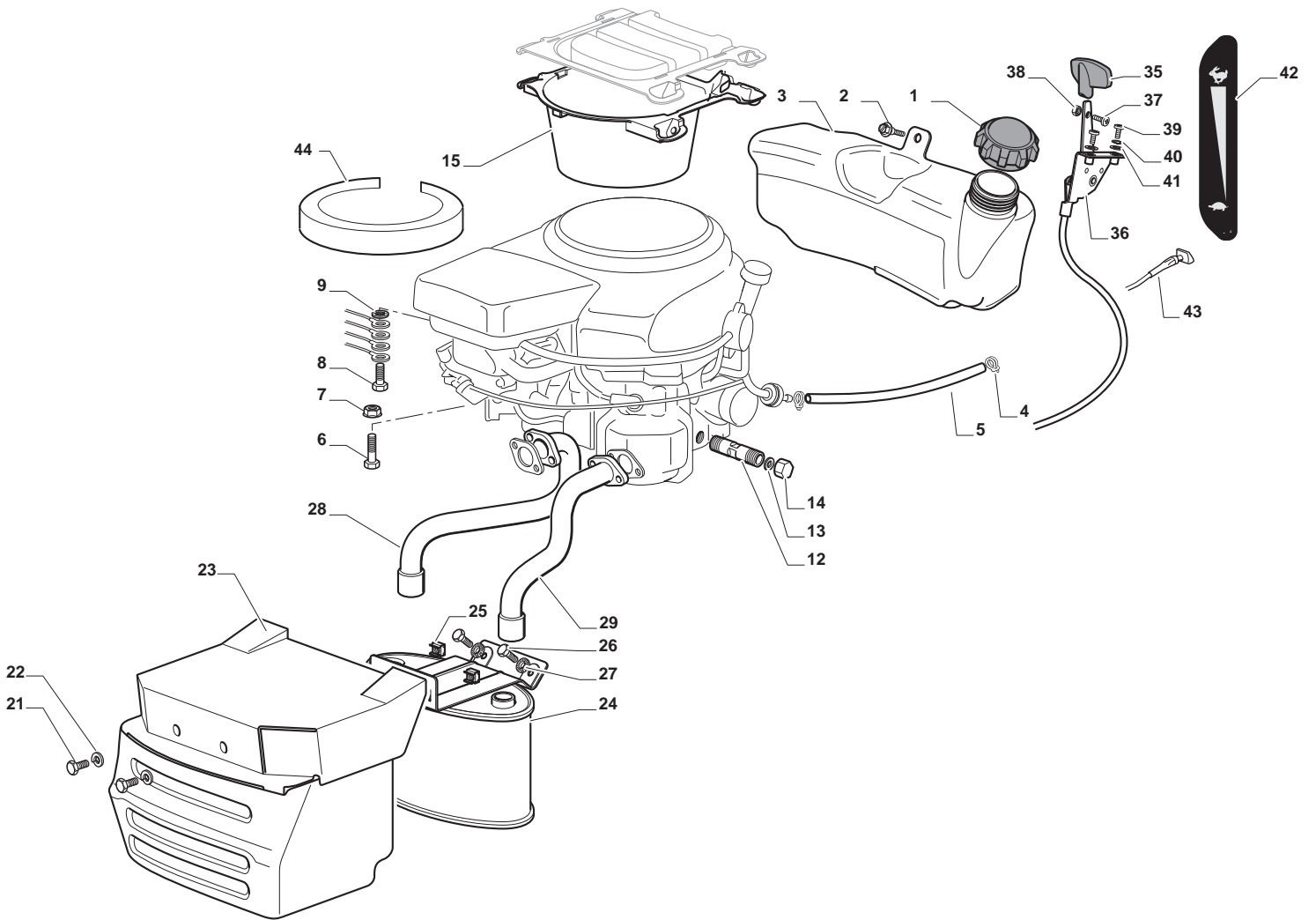
Engine B&S 13,5 hp

POS	CODE	Q.TY	DESCRIPTION	DESCRIZIONE	DESCRIPTION	BESCHREIBUNG	NOTES
1	125795001/1	1	Fuel Cap	Tappo Serbatoio	Bouchon	Tankverschluss	
2	125943010/0	4	Screw	Vite	Schraube	Vis	
3	325735126/0	1	Tank	Serbatoio	Reservoir	Tank	
4	118375051/1	4	Fair Led	Fascetta	Kabelbefestigung	Fixation De Cable	
5	325869057/0	1	Connecting Tube	Tube Collegamento	Verbindungsrohr	Tube De Connexion	
11	112735108/1	3	Screw	Vite	Schraube	Vis	
12	1134-5827-01	1	Oil Discharge Extension	Prolunga Scarico Olio	Rallonge Dechargement H	Öl Abfluss	
15	325108044/1	1	Conveyor	Convogliatore	Konveyor	Convoyeur	
21	112792611/0	2	Screw	Vite	Schraube	Vis	
22	112540260/0	2	Grower	Grower	Federring	Grower	
23	382598047/0	1	Muffler Protection	Protezione Silenziatore	Protection Silencieux	Auspuffschutz	
24	182750010/0	1	Muffler	Silenziatore	Silencieux	Schalldämpfer	
25	112360425/0	2	Nut	Dado	Nuss	Ecrou	
26	112792611/0	2	Screw	Vite	Schraube	Vis	
27	112540260/0	2	Grower	Grower	Federring	Grower	
28	118738224/0	1	Exhaust Tube	Tube Raccordo Scarico	Tube Connex. Echapp.	Krummer	
29	112737450/0	2	Screw	Vite	Schraube	Vis	
30	112540260/0	2	Grower	Grower	Federring	Grower	
31	112691115/0	1	Screw	Vite	Schraube	Vis	
32	112154210/0	3	Nut	Dado	Nuss	Ecrou	
35	325394531/0	1	Knob	Manopolina	Poignée	Griff	
36	182000216/0	1	Accelerator	Acceleratore	Commande d'accélération	Gashebelgestange	
37	112726389/0	1	Screw	Vite	Schraube	Vis	
38	112290800/0	1	Nut	Dado	Nuss	Ecrou	
39	112726389/0	2	Screw	Vite	Schraube	Vis	
40	112540020/0	2	Washer	Rondella	Scheibe	Rondelle	
41	112521310/0	2	Washer	Rondella	Scheibe	Rondelle	
42	114363697/0	1	Label	Etichetta	Etiquette	Etikett	
51	118736111/0	1	Starter Relay	Relé Avviamento	Anlassrelais	Relais D'Allumage	
52	112360352/0	2	Nut	Dado	Nuss	Ecrou	
53	125065002/0	1	Cable	Cavo	Kabel	Cable	
54	118564864/1	1	Protection	Protezione	Schutz	Protection	
55	112790781/0	1	Screw	Vite	Schraube	Vis	
56	112154510/0	2	Nut	Dado	Nuss	Ecrou	



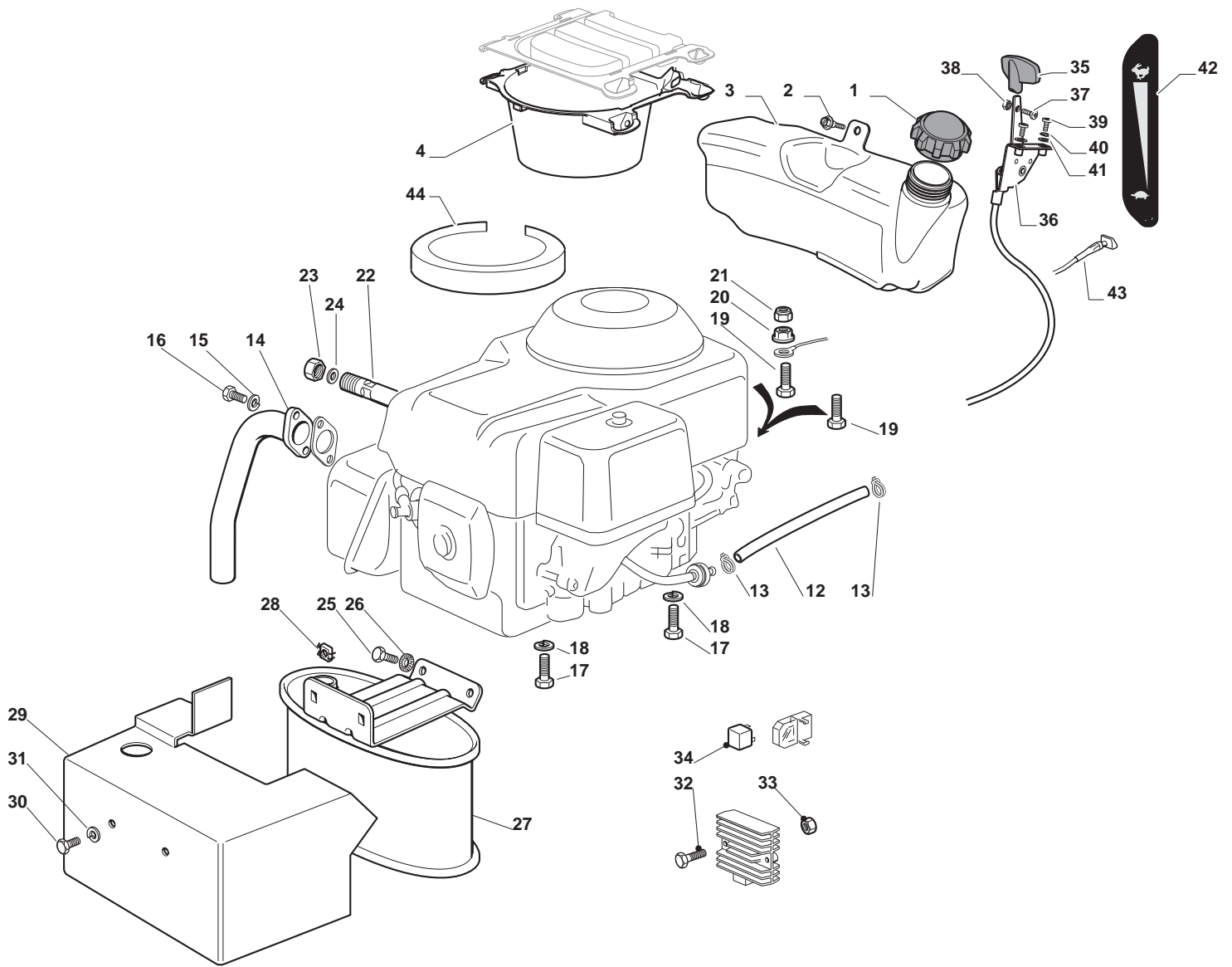
Engine B&S 16.5 - 18.5 hp

POS	CODE	Q.TY	DESCRIPTION	DESCRIZIONE	DESCRIPTION	BESCHREIBUNG	NOTES
1	125795001/1	1	Fuel Cap	Tappo Serbatoio	Bouchon	Tankverschluss	
2	125943010/0	4	Screw	Vite	Schraube	Vis	
3	325735126/0	1	Tank	Serbatoio	Reservoir	Tank	
4	118375051/1	2	Fair Led	Fascetta	Kabelbefestigung	Fixation De Cable	
5	325869057/0	1	Connecting Tube	Tube Collegamento	Verbindungsrohr	Tube De Connexion	
6	112691100/0	3	Screw	Vite	Schraube	Vis	
7	112154210/0	3	Nut	Dado	Nuss	Ecrou	
8	112691115/0	1	Screw	Vite	Schraube	Vis	
9	112540260/0	1	Grower	Grower	Federring	Grower	
10	112154210/0	1	Nut	Dado	Nuss	Ecrou	
12	1134-5827-01	1	Oil Discharge Extension	Prolunga Scarico Olio	Rallonge Dechargement H	Öl Abfluss	
15	325108044/1	1	Conveyor	Convogliatore	Konveyor	Convoyeur	
21	112792611/0	2	Screw	Vite	Schraube	Vis	
22	112540260/0	2	Grower	Grower	Federring	Grower	
23	382598047/0	1	Muffler Protection	Protezione Silenziatore	Protection Silencieux	Auspuffschutz	
24	182750010/0	1	Muffler	Silenziatore	Silencieux	Schalldämpfer	
25	112360425/0	2	Nut	Dado	Nuss	Ecrou	
26	112792611/0	2	Screw	Vite	Schraube	Vis	
27	112540260/0	2	Grower	Grower	Federring	Grower	
28	118738206/0	1	Exhaust Tube	Tube Raccordo Scarico	Tube Connex. Echapp.	Krummer	
29	112737450/0	2	Screw	Vite	Schraube	Vis	
30	112540260/0	2	Grower	Grower	Federring	Grower	
35	325394531/0	1	Knob	Manopolina	Poignée	Griff	
36	182000216/0	1	Accelerator	Acceleratore	Commande d'accélération	Gashebelgestange	
37	112726389/0	1	Screw	Vite	Schraube	Vis	
38	112290800/0	1	Nut	Dado	Nuss	Ecrou	
39	112726389/0	2	Screw	Vite	Schraube	Vis	
40	112540020/0	2	Washer	Rondella	Scheibe	Rondelle	
41	112521310/0	2	Washer	Rondella	Scheibe	Rondelle	
42	114363697/0	1	Label	Etichetta	Etiquette	Etikett	
51	118736111/0	1	Starter Relay	Relé Avviamento	Anlassrelais	Relais D'Allumage	
52	112360352/0	2	Nut	Dado	Nuss	Ecrou	
53	125065002/0	1	Cable	Cavo	Kabel	Cable	
54	118564864/1	1	Protection	Protezione	Schutz	Protection	
55	112790781/0	1	Screw	Vite	Schraube	Vis	
56	112154510/0	2	Nut	Dado	Nuss	Ecrou	



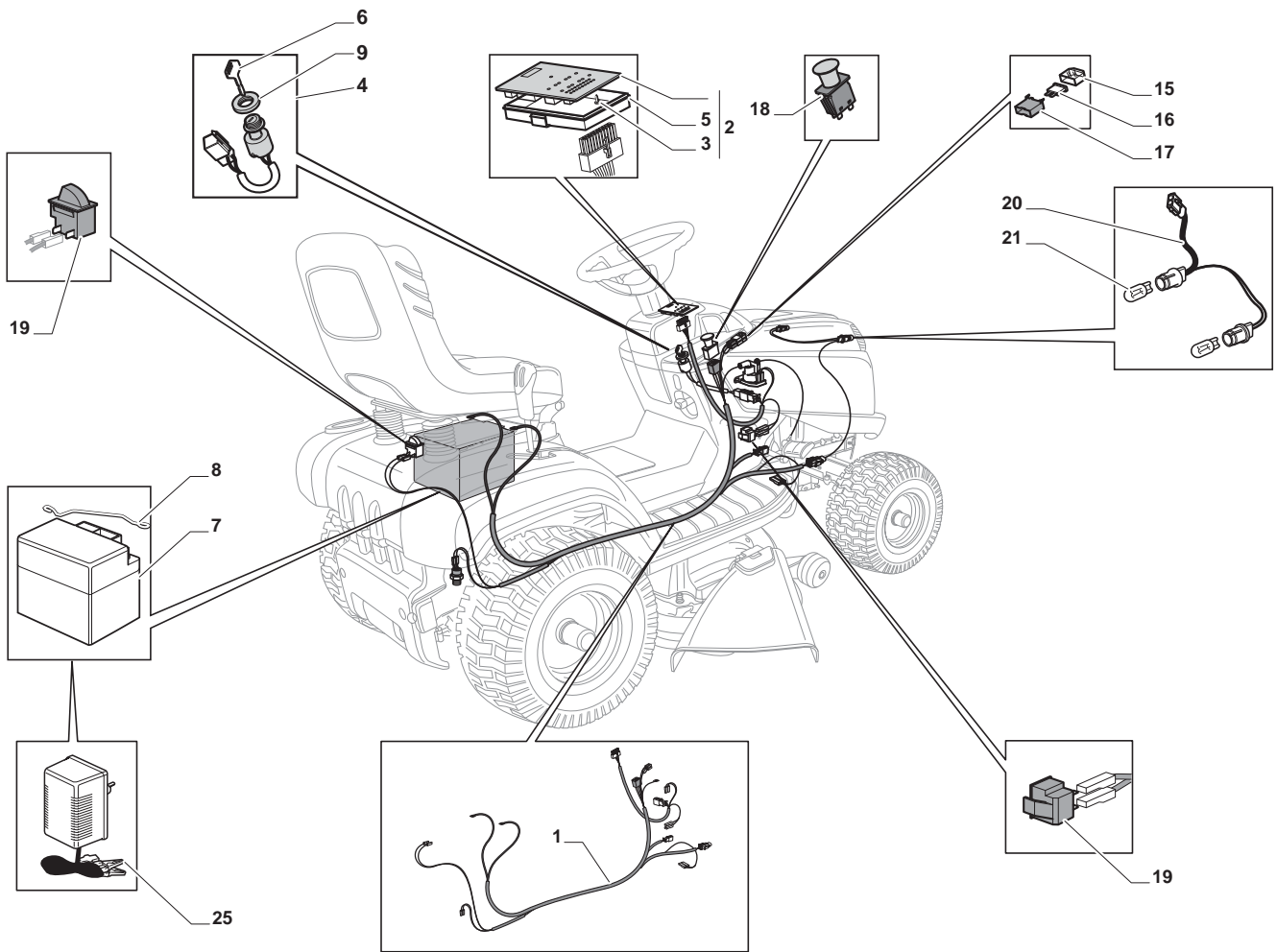
Engine Honda GCV 530

POS	CODE	Q.TY	DESCRIPTION	DESCRIZIONE	DESCRIPTION	BESCHREIBUNG	NOTES
1	125795001/1	1	Fuel Cap	Tappo Serbatoio	Bouchon	Tankverschluss	
2	125943010/0	4	Screw	Vite	Schraube	Vis	
3	325735126/0	1	Tank	Serbatoio	Reservoir	Tank	
4	118375051/1	2	Fair Led	Fascetta	Kabelbefestigung	Fixation De Cable	
5	325869057/0	1	Connecting Tube	Tubo Collegamento	Verbindungsrohr	Tube De Connexion	
6	112691115/0	4	Screw	Vite	Schraube	Vis	
7	112154210/0	4	Nut	Dado	Nuss	Ecrou	
8	112735124/0	1	Screw	Vite	Schraube	Vis	
9	112540260/0	1	Grower	Grower	Federring	Grower	
12	125598052/0	1	Oil Discharge Extension	Prolunga Scarico Olio	Rallonge Dechargement Huile	Öl Abfluss	
13	118401001/1	1	Oil Seal	Guarnizione	Garniture	Dichtung	
14	118737849/0	1	Plug	Plug	Plug	Plug	
15	325108045/1	1	Conveyor	Convogliatore	Konveyor	Convoyeur	
21	112792611/0	2	Screw	Vite	Schraube	Vis	
22	112540260/0	2	Grower	Grower	Federring	Grower	
23	382598049/0	1	Muffler Protection	Protezione Silenziatore	Protection Silencieux	Auspuffschutz	
24	182750003/0	1	Muffler	Silenziatore	Silencieux	Schalldämpfer	
25	112360425/0	2	Nut	Dado	Nuss	Ecrou	
26	112792611/0	2	Screw	Vite	Schraube	Vis	
27	112540260/0	2	Grower	Grower	Federring	Grower	
28	118738221/0	1	Exhaust Tube Right	Tubo Scarico Destro	Abgasungrohr, Rechte	Tube Echappement Droit	
29	118738222/0	1	Right Exhaust Connection	Raccordo Scarico Destro	Auspuffanschluss, Rechte	Connexion Echappement Droite	
35	325394531/0	1	Knob	Manopolina	Poignée	Griff	
36	182000217/0	1	Accelerator	Acceleratore	Commande d'accélération	Gashebelgestange	
37	112726389/0	1	Screw	Vite	Schraube	Vis	
38	112290800/0	1	Nut	Dado	Nuss	Ecrou	
39	112726389/0	2	Screw	Vite	Schraube	Vis	
40	112540020/0	2	Washer	Rondella	Scheibe	Rondelle	
41	112521310/0	2	Washer	Rondella	Scheibe	Rondelle	
42	114364617/0	1	Label	Etichetta	Etiquette	Etikett	
43	125090006/0	1	Choke Control	Comando Starter	Commande Starter	Starter Betaetigung	
44	125730023/0	1	Intake Separator	Separatore Aspirazione	Separateur Aspirations	Augenabscheider	

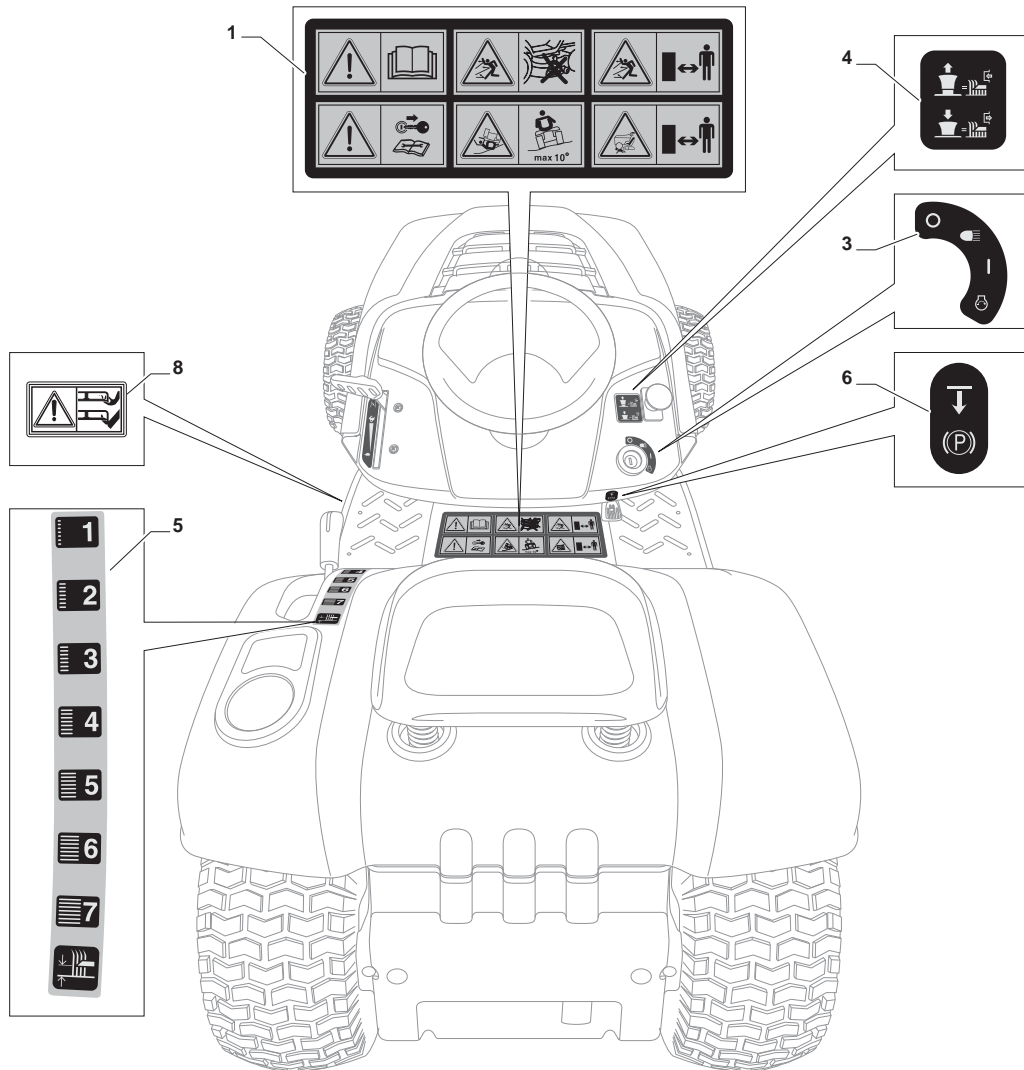


Engine Honda GCV 390

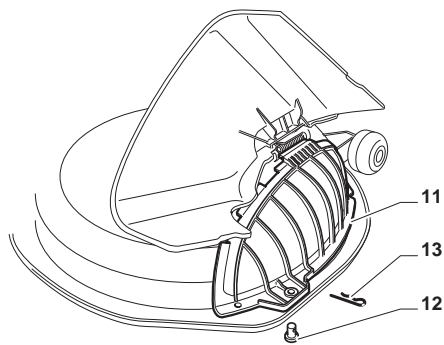
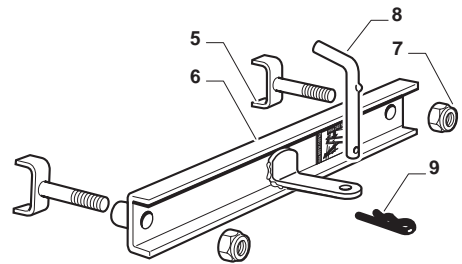
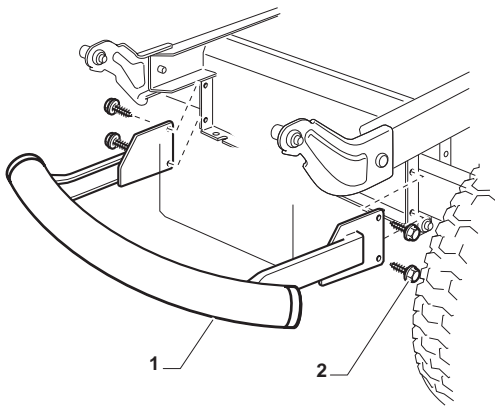
POS	CODE	Q.TY	DESCRIPTION	DESCRIZIONE	DESCRIPTION	BESCHREIBUNG	NOTES
1	125795001/1	1	Fuel Cap	Tappo Serbatoio	Bouchon	Tankverschluss	
2	125943010/0	4	Screw	Vite	Schraube	Vis	
3	325735126/0	1	Tank	Serbatoio	Reservoir	Tank	
4	325108045/1	1	Conveyor	Convogliatore	Konveyor	Convoyeur	
12	325869057/0	1	Connecting Tube	Tubo Collegamento	Verbindungsrohr	Tube De Connexion	
13	118375051/1	2	Fair Led	Fascetta	Kabelbefestigung	Fixation De Cable	
14	118738204/0	1	Connecting Tube	Tubo Collegamento	Verbindungsrohr	Tube De Connexion	
15	112583500/0	2	Grower	Grower	Federring	Grower	
16	112793102/0	2	Screw	Vite	Schraube	Vis	
17	112735802/0	2	Screw	Vite	Schraube	Vis	
18	112583500/0	2	Grower	Grower	Federring	Grower	
19	112691100/0	2	Screw	Vite	Schraube	Vis	
20	112154210/0	2	Nut	Dado	Nuss	Ecrou	
21	112155000/0	1	Nut	Dado	Nuss	Ecrou	
22	127598060/0	1	Oil Discharge Extension	Prolunga Scarico Olio	Rallonge Dechargement H	Öl Abfluss	
23	118737849/0	1	Plug	Plug	Plug	Plug	
24	118401001/1	1	Oil Seal	Guarnizione	Garniture	Dichtung	
25	112792611/0	2	Screw	Vite	Schraube	Vis	
26	112540260/0	2	Grower	Grower	Federring	Grower	
27	182750010/0	1	Muffler	Silenziatore	Silencieux	Schalldämpfer	
28	112360425/0	2	Nut	Dado	Nuss	Ecrou	
29	382598053/0	1	Muffler Protection	Protezione Silenziatore	Protection Silencieux	Auspuffschutz	
30	125943012/0	2	Screw	Vite	Schraube	Vis	
31	112583500/0	2	Grower	Grower	Federring	Grower	
32	112791213/1	2	Screw	Vite	Schraube	Vis	
33	112154510/0	2	Nut	Dado	Nuss	Ecrou	
34	133567000/0	1	Relay	Relay	Relay	Relay	
35	325394531/0	1	Knob	Manopolina	Poignée	Griff	
36	184000251/1	1	Accelerator	Acceleratore	Commande d'accélération	Gashebelgestange	
37	112726389/0	1	Screw	Vite	Schraube	Vis	
38	112290800/0	1	Nut	Dado	Nuss	Ecrou	
39	112726389/0	2	Screw	Vite	Schraube	Vis	
40	112540020/0	2	Washer	Rondella	Scheibe	Rondelle	
41	112521310/0	2	Washer	Rondella	Scheibe	Rondelle	
42	114363697/0	1	Label	Etichetta	Etiquette	Etikett	
43	125090006/0	1	Choke Control	Comando Starter	Commande Starter	Starter Betaetigung	
44	125730023/0	1	Intake Separator	Separatore Aspirazione	Separateur Aspirations	Augenabscheider	



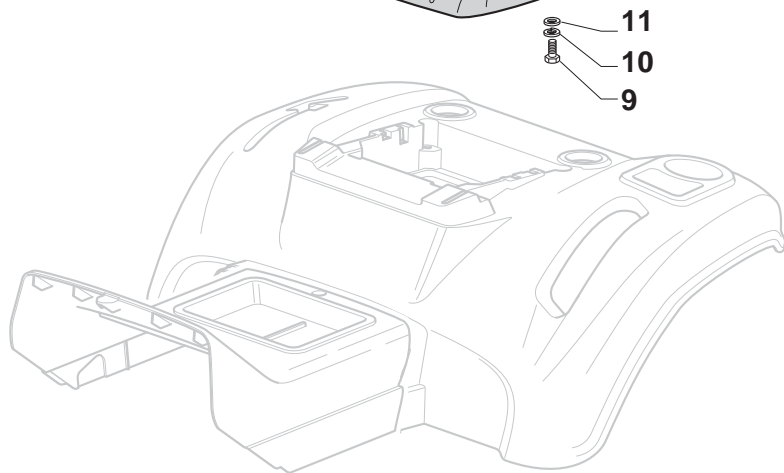
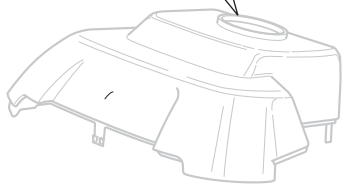
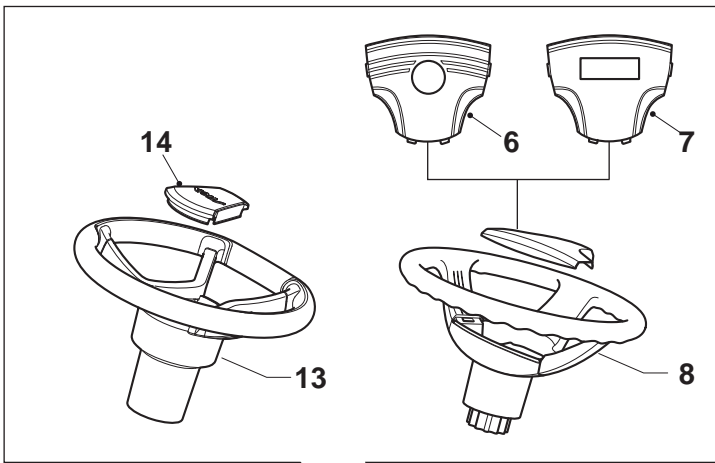
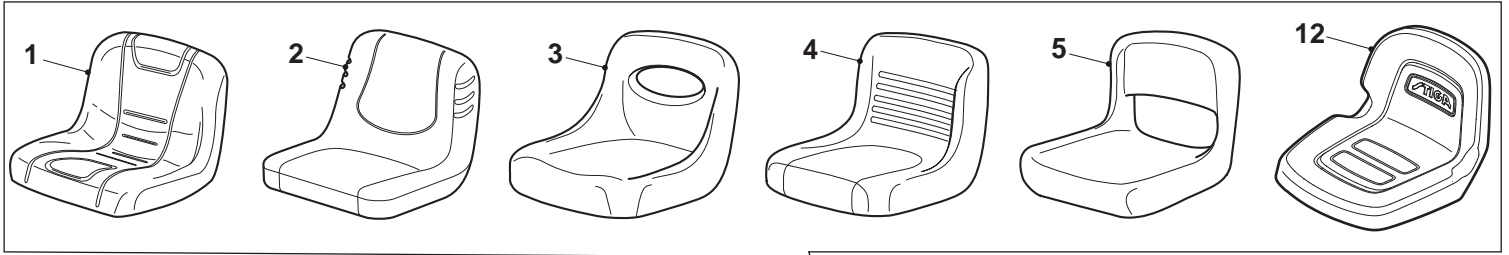
Electrical Parts							
POS	CODE	Q.TY	DESCRIPTION	DESCRIZIONE	DESCRIPTION	BESCHREIBUNG	NOTES
1	182040150/0	1	Cables Ass.Y	Cablaggio	Ens. Cablages	Kabelsatz	for mechanical Version
1	182040151/0	1	Cables Ass.Y	Cablaggio	Ens. Cablages	Kabelsatz	models without lamp
2	125722433/0	1	Electronic Card	Scheda Elettronica	Carte Electronique	Elektronische Karte	for GGP Engine
2	382722429/0	1	Electronic Card	Scheda Elettronica	Carte Electronique	Elektronische Karte	for B&S-Honda Engine
3	112735101/0	1	Screw	Vite	Vis	Schraube	
4	118450075/0	1	Starting Switch	Interruttore Avviamento	Interrupteur Demarrage	Schalter	
5	325600080/0	1	Card Protection	Protezione Scheda	Protection De Carte	Kartenschutz	
6	118210023/0	1	Starting Key	Chiave Avviamento	Clef A Demarrage	Schlüssel Für Start	
7	118120002/1	1	Battery	Batteria	Batterie	Batterie	
8	125430265/1	1	Spring	Molla	Ressort	Feder	
9	118400863/0	1	Screwed Ring	Ghiera	Manchon Expansible	Nutmutter	
15	133215000/0	2	Cover	Coperchio Membrana	Couvercle Membrane	Deckel Membran	
16	133340036/0	1	Fuse 25 A	Fusibile 25 A	Fusible 25 A	Sicherung 25 A	
16	133340040/0	1	Fuse 10A	Fusibile 10A	Fusible 10A	Sicherung 10A	
17	133500007/0	2	Fuse Carrier	Portafusibile	Tableau De Fusible	Sicherunghalter	
18	118450074/0	1	Clutch Switch	Interruttore Frizione	Interrupteur Embrajage	Kupplung Schalter	
19	119410613/0	2	Micro Switch	Micro Interruttore	Microinterrupteur	Mikroschalter	
20	182040186/0	1	Lamp Holder	Portalampane	Douille De Lampe	Scheinwerferlampe	for Lamp Version
20	182040191/0	1	Lamp Holder	Portalampane	Douille De Lampe	Scheinwerferlampe	for LED Version
21	118459100/0	2	Lamp For Lights	Lamp For Lights	Lamp For Lights	Lamp For Lights	
25	182180090/0	1	Battery Charger	Carica Batteria	Chargeur De Batterie	Ladgerät	EU Plag
25	182180091/0	1	Battery Charger	Carica Batteria	Chargeur De Batterie	Ladgerät	UK Plag



Labels								
POS	CODE	Q.TY	DESCRIPTION	DESCRIZIONE	DESCRIPTION	BESCHREIBUNG	NOTES	
1	114362365/1	1	Label	Etichetta	Etiquette	Etikett		
3	114363699/0	1	Label	Etichetta	Etiquette	Etikett		
4	114361438/0	1	Label	Etichetta	Etiquette	Etikett		
5	114363701/0	1	Label	Etichetta	Etiquette	Etikett		
6	114363700/0	1	Label	Etichetta	Etiquette	Etikett		
8	114356699/1	1	Label	Etichetta	Etiquette	Etikett		



Optionals On Request							
POS	CODE	Q.TY	DESCRIPTION	DESCRIZIONE	DESCRIPTION	BESCHREIBUNG	NOTES
1	382869038/0	1	Muffler Protection	Protezione Silenziatore	Protection Silencieux	Auspuffschutz	
2	125943008/0	4	Screw	Vite	Vis	Schraube	
5	382650211/0	2	Stiffening	Rinforzo	Renforcement	Verstaerkung	
6	382033111/0	1	Rod	Asta	Tige	Stange	
7	112155000/0	2	Nut	Dado	Ecrou	Mutter	
8	125510021/1	1	Hitch Pin	Perno	Pivot	Bolzen	
9	124487999/0	1	Spring Pin	Coppiglia	Goupille	Split	
11	325140099/0	1	Deflector	Deflettore	Deflecteur	Abweiser	
12	125510111/0	1	Pin	Perno	Pivot	Bolzen	
13	124487998/0	1	Cotter Pin	Coppiglia	Goupille	Split	



Seat & Steering Wheel							
POS	CODE	Q.TY	DESCRIPTION	DESCRIZIONE	DESCRIPTION	BESCHREIBUNG	NOTES
1	125722472/0	1	Seat	Sedile	Siege	Sitz	
2	125722463/0	1	Seat	Sedile	Siege	Sitz	
3	125722453/1	1	Seat	Sedile	Siege	Sitz	
3	125722453/1	1	Seat	Sedile	Siege	Sitz	
4	125722471/0	1	Seat	Sedile	Siege	Sitz	
5	125722456/0	1	Seat	Sedile	Siege	Sitz	
6	325580503/0	1	Steering Plate	Placca Volante	Plaque Volant	Lenkradplatte	Round Plate
7	325580504/0	1	Steering Plate	Placca Volante	Plaque Volant	Lenkradplatte	Square Plate
8	325961219/0	1	Steering Wheel	Volante	Volant	Lenkrad	
9	112792611/0	4	Screw	Vite	Vis	Schraube	
10	112540260/0	4	Grower	Grower	Grower	Federring	
11	112523060/0	4	Washer	Rondella	Rondelle	Scheibe	
12	125722477/0	1	Seat	Sedile	Siege	Sitz	
13	325961221/1	1	Steering Wheel	Volante	Volant	Lenkrad	
14	325580508/0	1	Steering Plate	Placca Volante	Plaque Volant	Lenkradplatte	STIGA Plate