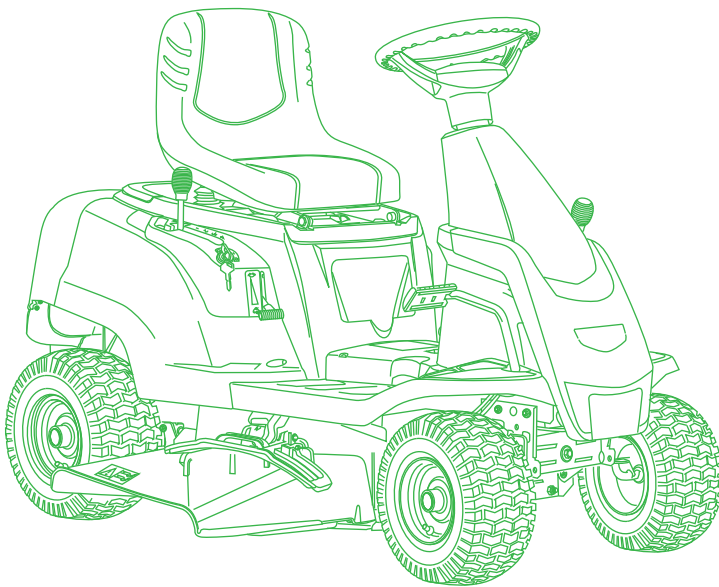


ILLUSTRATED PARTS LIST

MJ 66 M SD

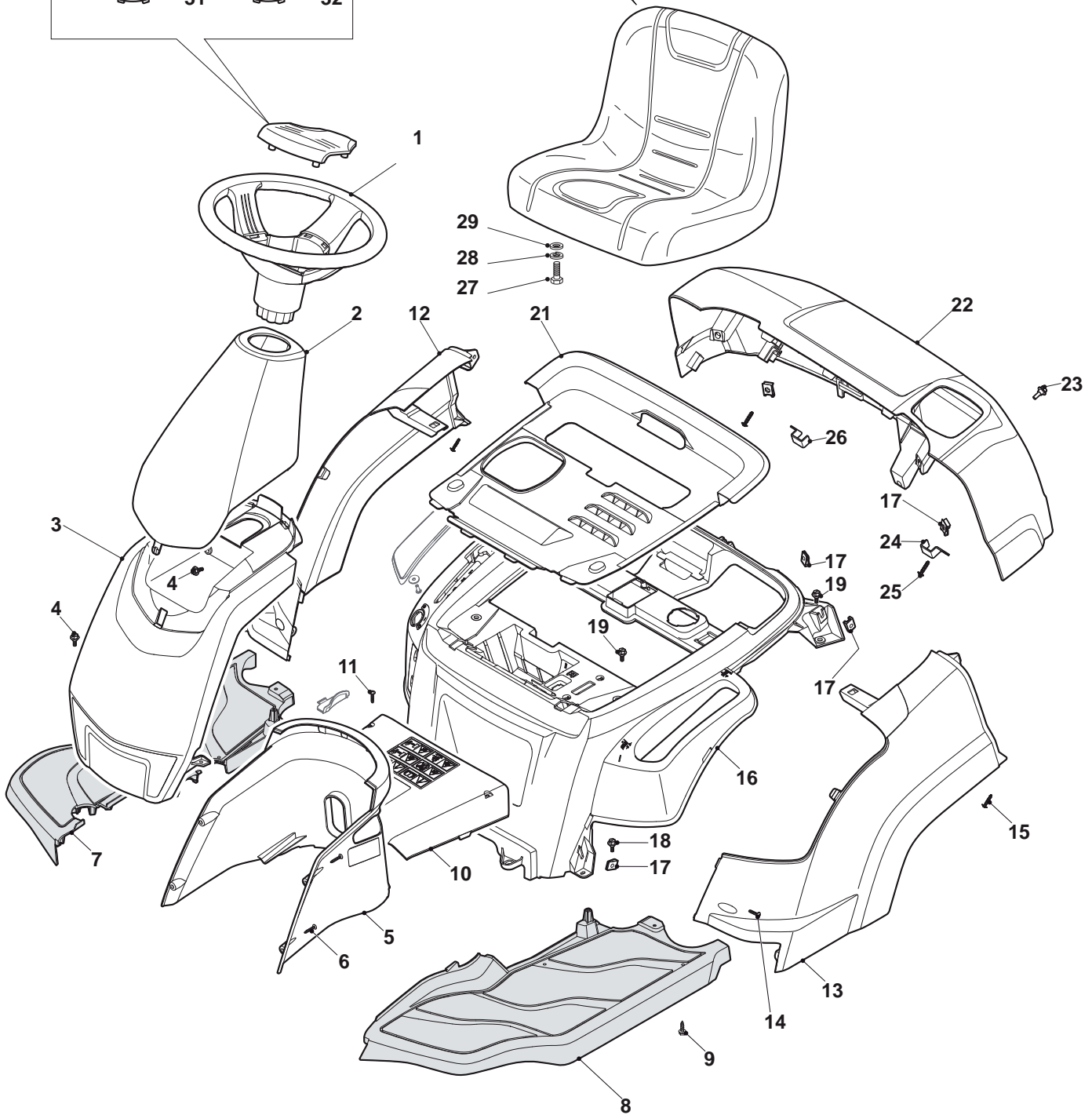
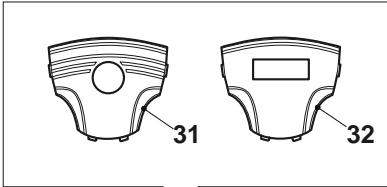
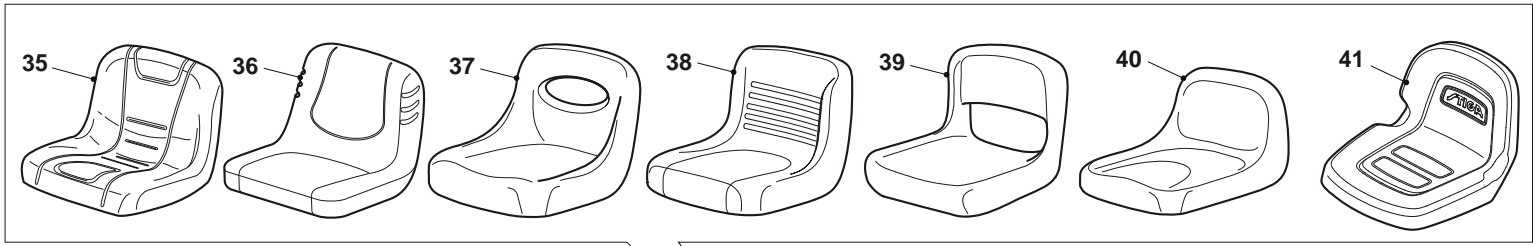


- Use GLOBAL GARDEN PRODUCT Genuine Spare Parts specified in the parts list for repair and/or replacement.
- The contents described in the parts list may change due to improvement.
- The drawings of the spare parts are only indicative and might not represent the part in question exactly.
- The indications "right" - "left" - "front" - "rear" refer to the position of the operator when using the machine.
- When placing orders of parts for repair and/or replacement, make sure that the illustrated parts list is the one applying to the machine's year of manufacture, as shown on the identification plate attached to the machine.

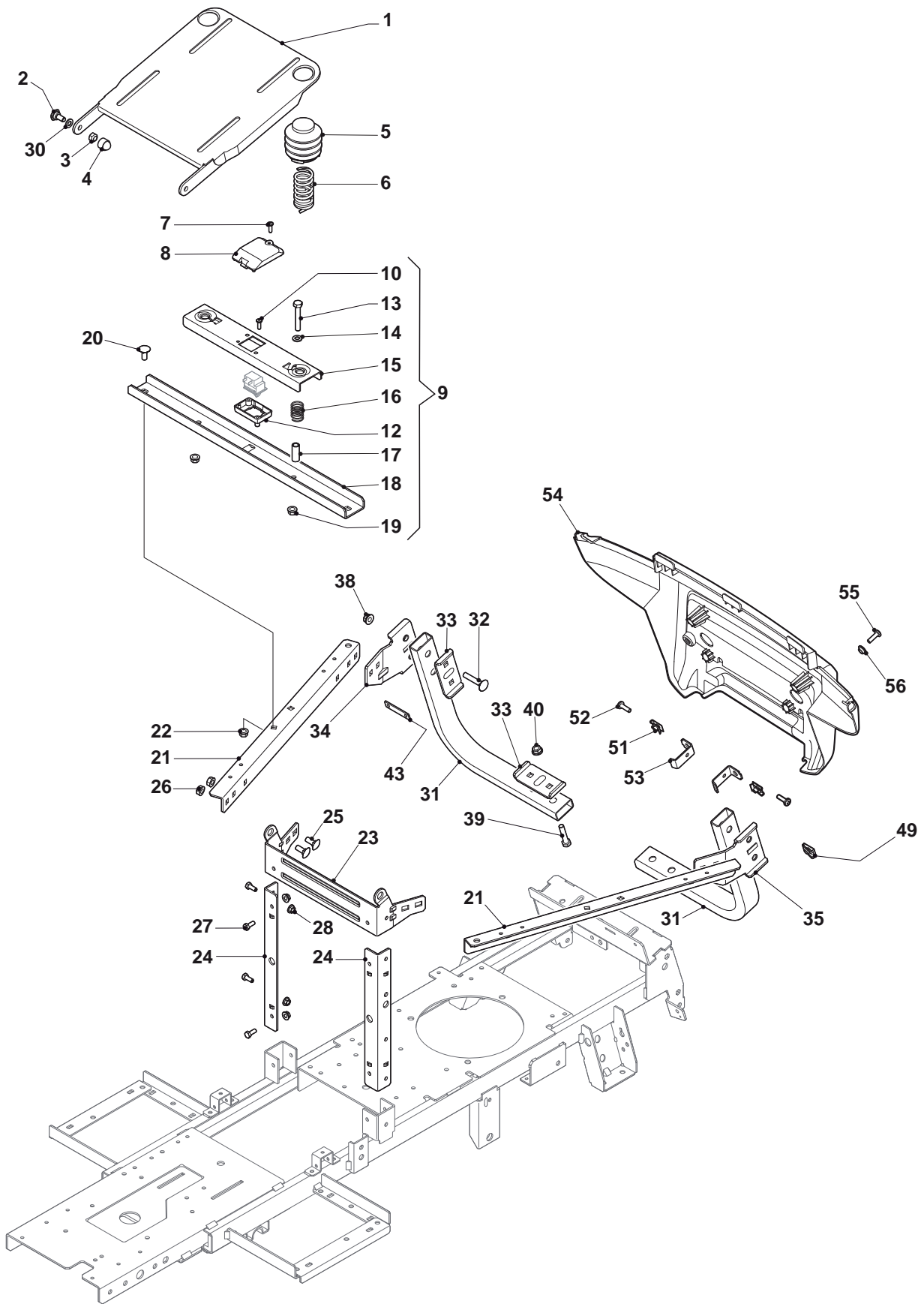
© Copyright 2014 Global Garden Products

All content is subject to copyright by Global Garden Products and may not be reproduced in whole or in part by any means, electronic or otherwise, without prior written approval.

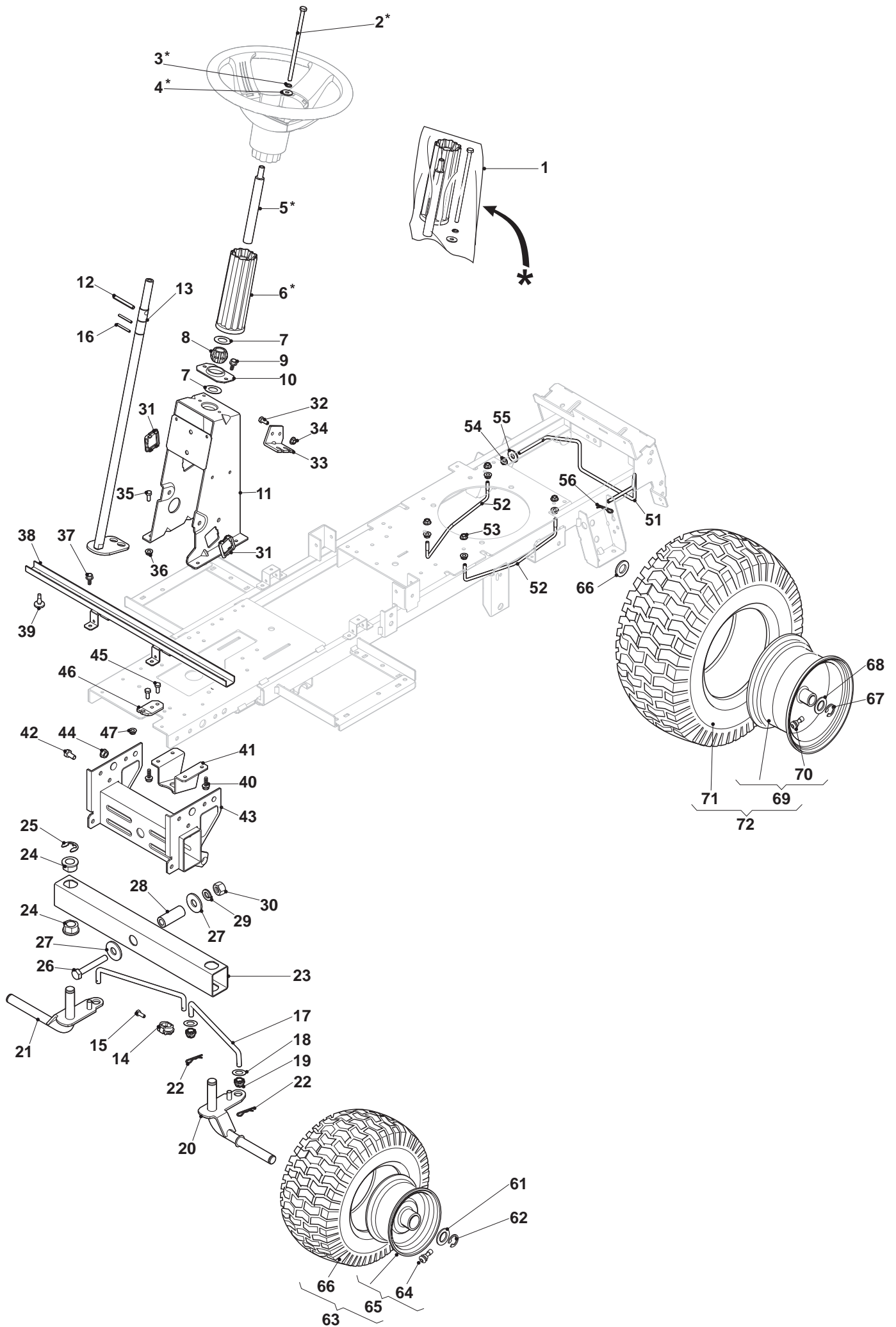
THIS INFORMATION IS NOT INTENDED FOR SALE OR RESALE, AND THIS NOTICE MUST REMAIN ON ALL COPIES.



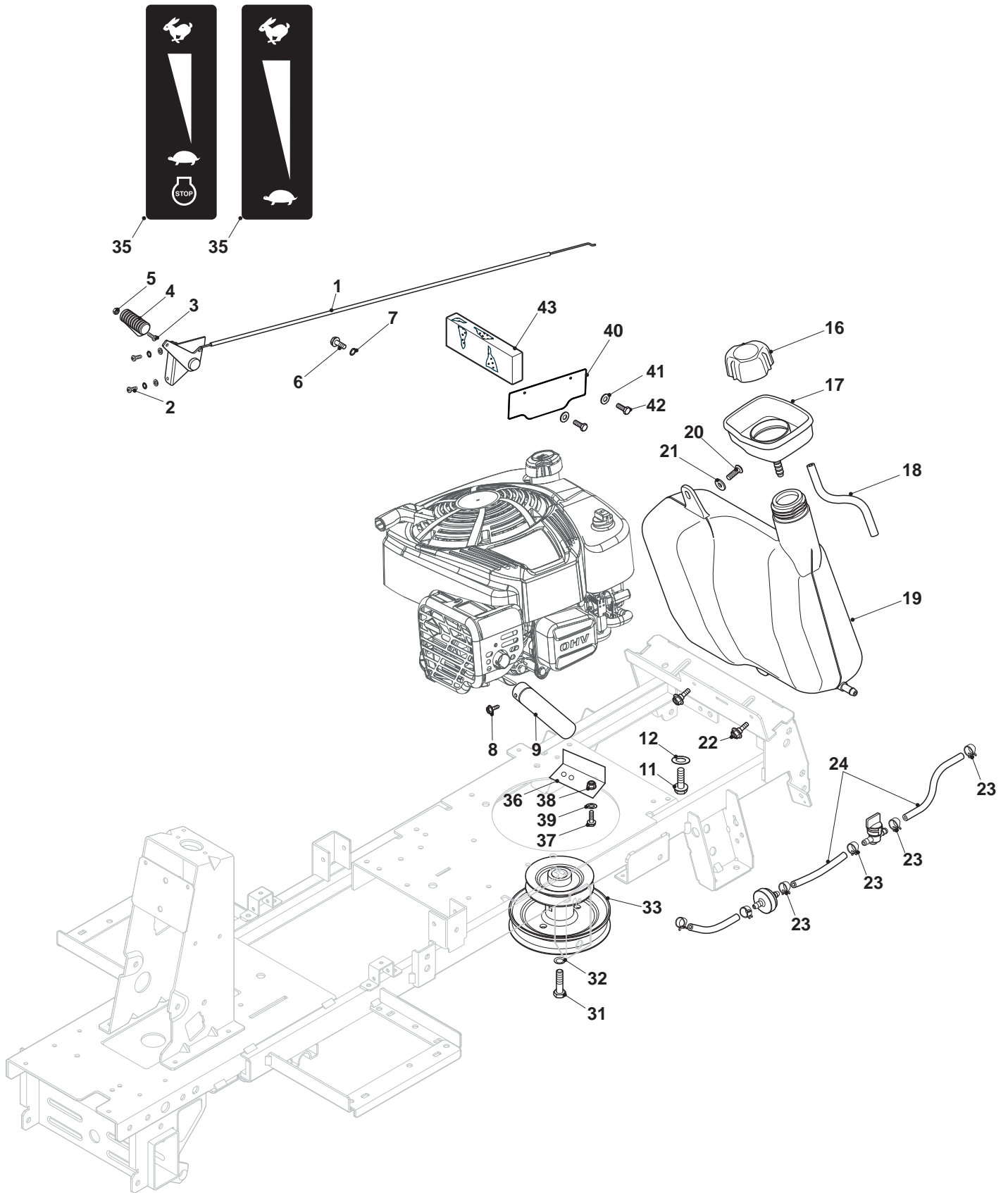
| Chassis | | | | | | | for Side Discharge |
|---------|-------------|------|--------------------------------|--------------------------------------|-----------------------------------|------------------------------|--------------------|
| POS | CODE | Q.TY | DESCRIPTION | DESCRIZIONE | DESCRIPTION | BESCHREIBUNG | NOTES |
| 1 | 325961220/0 | 1 | Steering Wheel | Volante | Support Volant | Lenkrad Halter | |
| 2 | 327110486/0 | 1 | Steering Column Cover, Grey | Piantone Sterzo, Grigio | Couvre Tube De Direction, Gris | Lenkungsaeule kappe Grau | |
| 2 | 327110487/0 | 1 | Steering Column Cover, Black | Copertura Piantone Sterzo, Nero | Couvre Tube De Direction, Noire | Lenkungsaeule Kappe, Schwarz | |
| 2 | 327110519/0 | 1 | Steering Column Cover, Grey St | Copertura Piantone Sterzo, Grigio St | Couvre Tube De Direction, Gris St | Lenkungsaeule Kappe, Grau St | |
| 3 | 327110510/0 | 1 | Steering Column Cover, Red | Piantone Sterzo, Rosso | Couvre Tube De Direction, Rouge | Lenkungsaeule kappe Rot | |
| 3 | 327110492/0 | 1 | Front Cover, Yellow | Protezione Anteriore, Giallo | Couvercle Avant, Jaune | Vorderdeckel, Gelb | |
| 3 | 327110493/0 | 1 | Front Cover, White | Protezione Anteriore, Bianco | Couvercle Avant, Blanc | Vorderdeckel, Weiß | |
| 3 | 327110528/0 | 1 | Front Cover, Green | Protezione Anteriore, Verde | Couvercle Avant, Vert | Vorderdeckel, Grün | |
| 4 | 125943010/0 | 4 | Screw | Vite | Vis | Schraube | |
| 5 | 327110483/0 | 1 | Rear Steering Column Cov | Copertura Piantone Sterzo, Grigio | Couvre Tube De Direction, Gris | Lenkungsaeule kappe Grau | |
| 5 | 327110522/0 | 1 | Rear Cover, Black | Protezione Posteriore, Nero | Couvercle Arrier, Noire | Hinterdeckel, Schwarz | |
| 5 | 327110518/0 | 1 | Rear Cover, Grey Stiga | Protezione Posteriore, Grigio Stiga | Couvercle Arrier, Gris Stiga | Hinterdeckel, Grau Stiga | |
| 6 | 112728300/0 | 4 | Screw | Vite | Vis | Schraube | |
| 7 | 327500501/0 | 1 | Right Footboard | Pedana Destra | Marchepied Droit | Rechte Fussbrett | |
| 8 | 327500500/0 | 1 | Left Footboard | Pedana Sinistra | Marchepied Gauche | Linke Fussbrett | |
| 9 | 112735402/0 | 14 | Screw | Vite | Vis | Schraube | |
| 10 | 327110478/1 | 1 | Cover Grey | Copertura Centrale Grigio | Couvre Gris | Kappe Grau | |
| 10 | 327110520/1 | 1 | Black Central Cover | Copertura Centrale, Nero | Kappe, Schwarz | Couvre, Noir | |
| 10 | 327110516/1 | 1 | Grey Central Cover | Copertura Centrale, Grigio | Kappe, Grau | Couvre, Gris | |
| 11 | 112728300/0 | 2 | Screw | Vite | Vis | Schraube | |
| 12 | 327110511/0 | 1 | Right Rear Cover, Red | Protezione Posteriore Destra Rosso | Couvercle Arrier Droite Rouge | Hinterdeckel Rot Recht | |
| 12 | 327110488/0 | 1 | Right Wheels Cover, Yellow | Copriruota Destro, Giallo | Couvre Roue Droit, Jaune | Rechte Radkappe, Gelb | |
| 12 | 327110489/0 | 1 | Right Wheels Cover, White | Copriruota Destro, Bianco | Couvre Roue Droit, Blanc | Rechte Radkappe, Weiß | |
| 12 | 327110533/0 | 1 | Right Wheels Cover, Black | Copriruota Destro, Nero | Couvre Roue Droit, Noire | Rechte Radkappe, Schwarz | |
| 12 | 327110529/0 | 1 | Right Wheels Cover, Green | Copriruota Destro, Verde | Couvre Roue Droit, Vert | Rechte Radkappe, Grün | |
| 13 | 327110512/0 | 1 | Left Rear Cover, Red | Protezione Posteriore Sinistra Rosso | Couvercle Arrier Gauche Rouge | Hinterdeckel Rot Linke | |
| 13 | 327110490/0 | 1 | Left Wheels Cover, Yellow | Copriruota Sinistro, Giallo | Couvre Roue Gauche, Jaune | Linke Radkappe, Gelb | |
| 13 | 327110491/0 | 1 | Left Wheels Cover, White | Copriruota Sinistro, Bianco | Couvre Roue Gauche, Blanc | Linke Radkappe, Weiß | |
| 13 | 327110534/0 | 1 | Left Wheels Cover, Black | Copriruota Sinistro, Nero | Couvre Roue Gauche, Noire | Linke Radkappe, Schwarz | |
| 13 | 327110530/0 | 1 | Left Wheels Cover, Green | Copriruota Sinistro, Verde | Couvre Roue Gauche, Vert | Linke Radkappe, Grün | |
| 14 | 112727801/0 | 6 | Screw | Vite | Vis | Schraube | |
| 15 | 112728300/0 | 6 | Screw | Vite | Vis | Schraube | |
| 16 | 327110480/1 | 1 | Frame Cover Grey | Copertura Telaio Grigio | Couvercle Gris | Schutzdeckel Grau | |
| 16 | 327110517/1 | 1 | Frame Cover Grey | Copertura Telaio Grigio | Schutzdeckel Grau | Couvercle Gris | |
| 16 | 327110521/1 | 1 | Frame Cover Black | Copertura Telaio Nero | Schutzdeckel Schawrz | Couvercle Noir | |
| 17 | 112437507/0 | 12 | Rapid Fixing Plate | Piastrina | Plaque | Plättchen | |
| 19 | 125943010/0 | 6 | Screw | Vite | Vis | Schraube | |
| 21 | 327110481/1 | 1 | Engine Cover Black | Copertura Motore Nero | Couvre Moteur Noir | Motorkappe Schwarz | |
| 22 | 327110497/0 | 1 | Cover Upper Yellow | Copertura Superiore Gialla | Couvre, Superieure | Oberteilkappe | |
| 22 | 327110543/0 | 1 | Cover Upper Red | Copertura Superiore Rossa | Couvre, Superieure | Oberteilkappe | |
| 22 | 327110546/0 | 1 | Cover Upper Green | Copertura Superiore Verde | Couvre, Superieure | Oberteilkappe | |
| 22 | 327110542/0 | 1 | Cover Upper White | Copertura Superiore Bianca | Couvre, Superieure | Oberteilkappe | |
| 22 | 327110544/0 | 1 | Cover Upper Black | Copertura Superiore Nera | Couvre, Superieure | Oberteilkappe | |
| 23 | 125943010/0 | 1 | Screw | Vite | Vis | Schraube | |
| 24 | 327772235/0 | 1 | Bracket | Staffa | Support | Halterung | |
| 25 | 112728300/0 | 1 | Screw | Vite | Vis | Schraube | |
| 26 | 327772237/0 | 1 | Bracket | Staffa | Support | Halterung | |
| 27 | 112793101/0 | 4 | Screw | Vite | Vis | Schraube | |
| 28 | 112583500/0 | 4 | Grower | Grower | Grower | Grower | |
| 29 | 112523060/0 | 4 | Washer | Rondella | Rondelle | Scheibe | |
| 31 | 325580503/0 | 1 | Steering Plate | Placca Volante | Plaque Volant | Lenkradplatte | Round |
| 32 | 325580504/0 | 1 | Steering Plate | Placca Volante | Plaque Volant | Lenkradplatte | Square |
| 35 | 125722472/0 | 1 | Seat | Sedile | Siege | Sitz | |
| 36 | 125722463/0 | 1 | Seat | Sedile | Siege | Sitz | |
| 37 | 125722453/1 | 1 | Seat | Sedile | Siege | Sitz | |
| 38 | 125722471/0 | 1 | Seat | Sedile | Siege | Sitz | |
| 39 | 125722456/0 | 1 | Seat | Sedile | Siege | Sitz | |
| 40 | 125722470/0 | 1 | Seat | Sedile | Siege | Sitz | |
| 41 | 125722477/0 | 1 | Seat | Sedile | Siege | Sitz | |



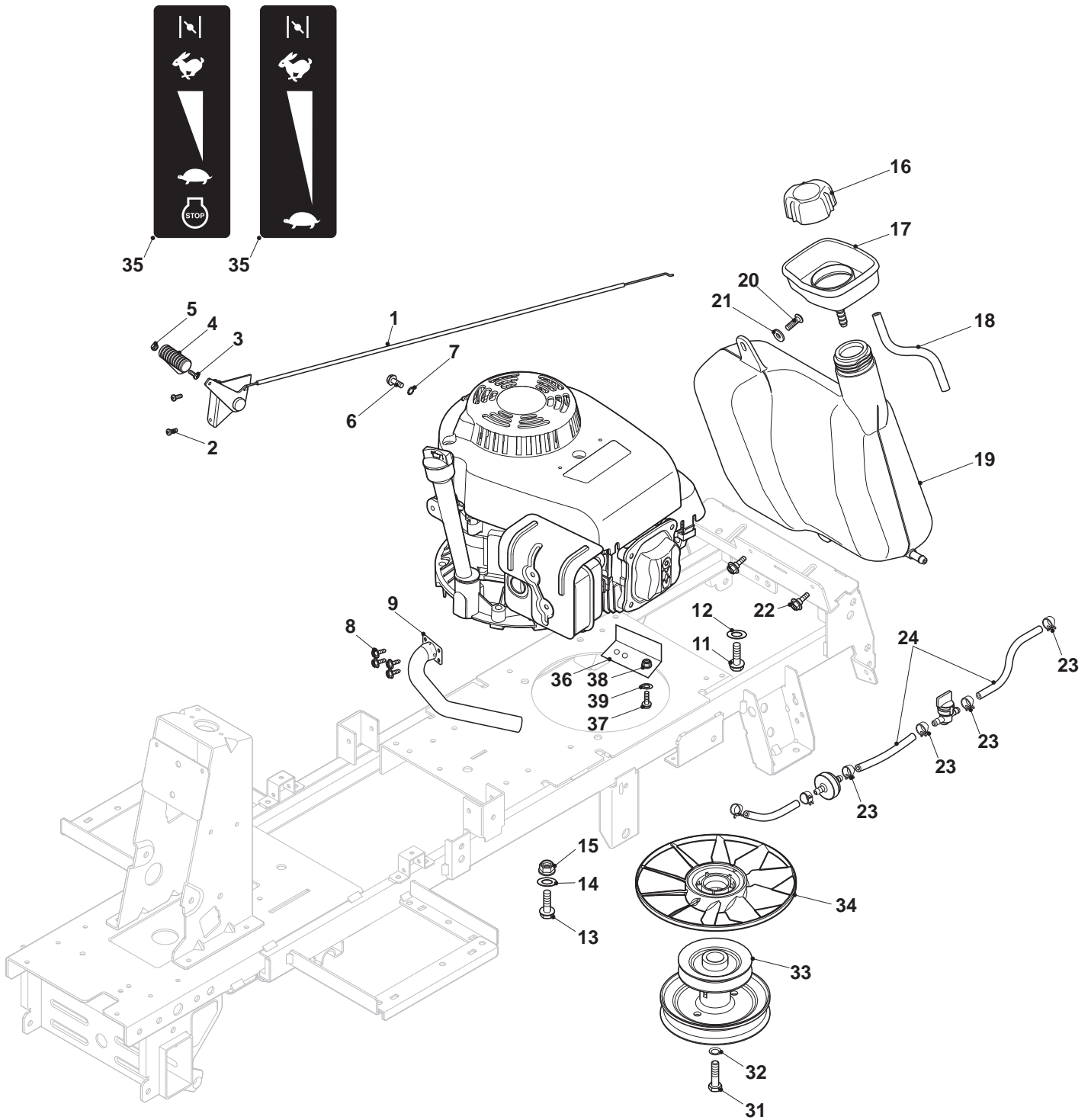
| Chassis | | | | | | | for Side Discharge |
|---------|-------------|------|--------------------|-----------------------|----------------------|--------------------|--------------------|
| POS | CODE | Q.TY | DESCRIPTION | DESCRIZIONE | DESCRIPTION | BESCHREIBUNG | NOTES |
| 1 | 382547061/0 | 1 | Plate | Piastrina | Plaquette | Plättchen | |
| 2 | 122524970/3 | 2 | Pin | Perno | Pivot | Bolzen | |
| 3 | 112155010/0 | 2 | Nut | Dado | Écrou | Mutter | |
| 4 | 118203854/0 | 2 | Screw | Vite | Vis | Schraube | |
| 5 | 327737500/0 | 2 | Protection Hood | Cuffia | Protecteur | Schutzkasten | |
| 6 | 127430589/0 | 2 | Spring | Molla | Ressort | Feder | |
| 7 | 112728706/0 | 1 | Screw | Vite | Vis | Schraube | |
| 8 | 327110508/0 | 1 | Switch Cover | Switch Cover | Switch Cover | Switch Cover | |
| 9 | 384394751/1 | 1 | Micro | Micro Interruttore | Micro | Mikro | |
| 10 | 112728686/0 | 2 | Screw | Vite | Vis | Schraube | |
| 11 | 119410606/0 | 1 | Micro Switch | Micro Switch | Micro Switch | Micro Switch | |
| 12 | 325785379/1 | 1 | Support | Supporto | Support | Halter | |
| 13 | 112691400/0 | 2 | Screw | Vite | Vis | Schraube | |
| 14 | 112521350/0 | 2 | Washer | Rondella | Rondelle | Scheibe | |
| 15 | 327543047/0 | 1 | Plate | Piastrina | Plaquette | Plättchen | |
| 16 | 125430263/0 | 2 | Spring | Molla | Ressort | Feder | |
| 17 | 125160048/0 | 2 | Spacer | Distanziale | Entretoise | Distanzring | |
| 18 | 327787089/0 | 1 | Support | Supporto | Support | Halter | |
| 19 | 112293201/0 | 2 | Nut | Dado | Écrou | Mutter | |
| 20 | 112818690/0 | 2 | Screw | Vite | Vis | Schraube | |
| 21 | 327650131/0 | 2 | Upper Stiffening | Rinforzo Superiore | Renforcer supérieur | Stärkung Higher | |
| 22 | 112293201/0 | 2 | Nut | Dado | Écrou | Mutter | |
| 23 | 327543039/0 | 1 | Backup Plate | Piastrina di Supporto | Plaquette de support | Stützplatte | |
| 24 | 327010209/0 | 2 | Angular | Angolare | Angulaire | Halter | |
| 25 | 112818690/0 | 8 | Screw | Vite | Vis | Schraube | |
| 26 | 112293201/0 | 8 | Nut | Dado | Écrou | Mutter | |
| 27 | 112791200/1 | 8 | Screw | Vite | Vis | Schraube | |
| 28 | 112154510/0 | 8 | Nut | Dado | Écrou | Mutter | |
| 30 | 122675110/0 | 2 | Washer | Rosetta | Rondelle | Scheibe | |
| 31 | 327869063/0 | 2 | Pipe | Tubo Pescante | Tube | Rohr | |
| 32 | 112819105/0 | 4 | Screw | Vite | Vis | Schraube | |
| 33 | 327543029/0 | 4 | Plate | Piastrina | Plaquette | Plättchen | |
| 34 | 327772171/0 | 1 | Bracket, Right | Staffa Dx | Etrier Droit | Steigbügel, Rechte | |
| 35 | 327772225/0 | 1 | Bracket, Left | Staffa Sx | Etrier Gauche | Steigbügel, Linke | |
| 38 | 112154210/0 | 4 | Nut | Dado | Écrou | Mutter | |
| 39 | 112691115/0 | 4 | Screw | Vite | Vis | Schraube | |
| 40 | 112154210/0 | 4 | Nut | Dado | Écrou | Mutter | |
| 43 | 322545142/0 | 2 | Plate | Piastrina | Plaquette | Plättchen | |
| 49 | 112437507/0 | 2 | Rapid Fixing Plate | Piastrina | Plaquette | Plättchen | |
| 51 | 112437507/0 | 2 | Rapid Fixing Plate | Piastrina | Plaquette | Plättchen | |
| 52 | 112727791/0 | 4 | Screw | Vite | Vis | Schraube | |
| 53 | 327772233/0 | 2 | Bracket | Staffa | Support | Halterung | |
| 54 | 327110496/0 | 1 | Cover | Copertura | Couvercle | Deckel | |
| 55 | 112727791/0 | 4 | Screw | Vite | Vis | Schraube | |
| 56 | 325160039/0 | 1 | Spacer | Distanziale | Entretoise | Distanzring | |



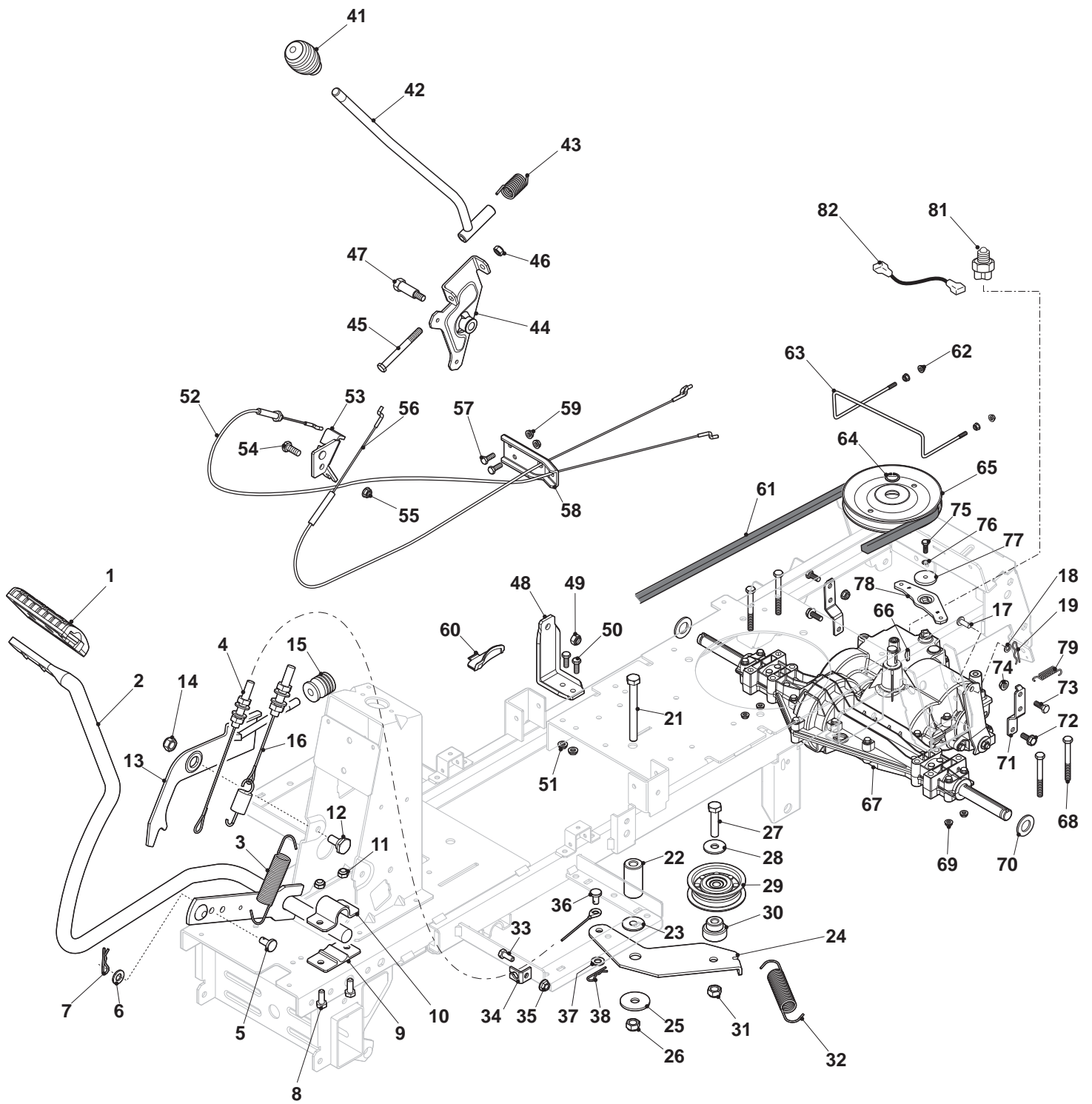
| Steering | | | | | | | |
|----------|-------------|------|------------------------|-----------------------|---------------------|----------------------|-------|
| POS | CODE | Q.TY | DESCRIPTION | DESCRIZIONE | DESCRIPTION | BESCHREIBUNG | NOTES |
| 1 | 384180219/0 | 1 | Outfit, Screws | Dotazione Viteria | Dotation Visserie | Satz, Schrauben | |
| 2 | 127840055/0 | 1 | Screw | Vite | Vis | Schraube | |
| 3 | 112540260/0 | 1 | Grower | Grower | Grower | Federring | |
| 4 | 112523070/0 | 1 | Washer | Rondella | Rondelle | Scheibe | |
| 5 | 127160060/0 | 1 | Extension column | Prolunga piantone | colonne d'extension | Erweiterung Spalte | |
| 6 | 325785419/0 | 1 | Steering Wheel Support | Supporto Volante | Support Volant | Lenkrad Halter | |
| 7 | 125670023/0 | 2 | Washer | Rondella | Rondelle | Scheibe | |
| 8 | 122746617/0 | 1 | Joint | Snodo | Joint | Gelenk | |
| 9 | 112735121/0 | 2 | Screw | Vite | Vis | Schraube | |
| 10 | 327787091/0 | 1 | Joint | Snodo | Support | Gelenk | |
| 11 | 384773575/0 | 1 | Front Bracket Support | Staffa Supporto Ant. | Support avant | Vorne Haltebügel | |
| 12 | 112620300/0 | 1 | Pin | Spina | Ressort | Stift | |
| 13 | 384520051/0 | 1 | Steering Column | Piantone Sterzo | Tube De Direction | Lenkungsaeule | |
| 14 | 327045074/0 | 1 | Bush | Boccola | Douille | Büchse | |
| 15 | 125943004/0 | 2 | Screw | Vite | Vis | Schraube | |
| 16 | 112620210/0 | 2 | Elastic Pin | Spina Elastica | Goupille | Stift | |
| 17 | 127034091/0 | 2 | Rod | Asta | Stange | Tige | |
| 18 | 112521350/0 | 4 | Washer | Rondella | Rondelle | Scheibe | |
| 19 | 327045072/0 | 4 | Bush | Boccola | Douille | Büchse | |
| 20 | 384230411/0 | 1 | Left Stub Axle | Fusello Sinistro | Fuseau Gauche | Linker Achsschenkel | |
| 21 | 384230409/0 | 1 | Right Stub Axle | Fusello Destro | Fuseau Droit | Rechter Achsschenkel | |
| 22 | 124487995/0 | 4 | Cotter Pin | Copiglia | Goupille | Split | |
| 23 | 327869061/0 | 1 | Pipe | Tubo | Axe Roues Avant | Rohr | |
| 24 | 127047019/0 | 4 | Bush | Bussola | Douille | Douille | |
| 25 | 112000970/0 | 2 | Benzing Ring | Anello Benzing | Anneau Benzing | Ring Benzing | |
| 26 | 112794950/0 | 1 | Screw | Vite | Vis | Schraube | |
| 27 | 112523080/0 | 2 | Washer | Rosetta | Rondelle | Scheibe | |
| 28 | 127160062/0 | 1 | Spacer | Distanziale | Entretoise | Distanzring | |
| 29 | 112585100/0 | 1 | Washer | Rosetta | Rondelle | Scheibe | |
| 30 | 112295200/0 | 1 | Nut | Dado | Ecrou | Mutter | |
| 31 | 327580500/0 | 2 | Plate | Placca | Plaque | Platte | |
| 32 | 112791200/1 | 2 | Screw | Vite | Vis | Schraube | |
| 33 | 327772199/0 | 1 | Front Bracket | Staffa Anteriore | Etrier avant | Vorne bügel | |
| 34 | 112292102/0 | 2 | Nut | Dado | Ecrou | Mutter | |
| 35 | 112791200/1 | 4 | Screw | Vite | Vis | Schraube | |
| 36 | 112292102/0 | 4 | Nut | Dado | Ecrou | Mutter | |
| 37 | 112735122/0 | 4 | Screw | Vite | Vis | Schraube | |
| 38 | 384783061/0 | 1 | Footboard Support | Supporto Pedana | Support Marchepied | Fussbrethalter | |
| 39 | 127275000/0 | 1 | Grommet | Gommino | Caoutchouc | Gummi | |
| 40 | 112735122/0 | 4 | Screw | Vite | Vis | Schraube | |
| 41 | 327772165/1 | 1 | Bracket | Staffa | Etrier | Etrier | |
| 42 | 112792611/0 | 4 | Screw | Vite | Vis | Schraube | |
| 43 | 384783059/0 | 1 | Forecarriage Support | Supporto Avantreno | Support | Forecarriage Support | |
| 44 | 112293201/0 | 4 | Nut | Dado | Ecrou | Mutter | |
| 45 | 112791200/1 | 2 | Screw | Vite | Vis | Schraube | |
| 46 | 327772209/0 | 1 | Bracket | Staffa | Etrier | Etrier | |
| 47 | 112292102/0 | 2 | Nut | Dado | Ecrou | Mutter | |
| 51 | 127294009/0 | 1 | Belt Guide | Guidacinghia Puleggia | Guide De Courroire | Riemenführung | |
| 52 | 127294010/1 | 2 | Belt Guide | Guidacinghia Puleggia | Guide De Courroire | Riemenführung | |
| 53 | 112292102/0 | 8 | Nut | Dado | Ecrou | Mutter | |
| 54 | 112154510/0 | 1 | Nut | Dado | Écrou | Mutter | |
| 55 | 112521330/0 | 1 | Washer | Rosetta | Rondelle | Scheibe | |
| 56 | 124487997/0 | 1 | Cotter Pin | Copiglia | Goupille | Split | |
| 61 | 112000970/0 | 2 | Benzing Ring | Anello Benzing | Anneau Benzing | Ring Benzing | |
| 62 | 112521390/0 | 2 | Washer | Rondella | Rondelle | Scheibe | |
| 63 | 384680074/0 | 2 | Front Wheel | Ruota Anteriore | Roue Avant | Vorderrad | 13" |
| 63 | 384680073/0 | 2 | Front Wheel | Ruota Anteriore | Roue Avant | Vorderrad | 11" |
| 64 | 125590000/0 | 2 | Front Tyre | Pneumatico Anteriore | Pneu Avant | Vorderreifen | |
| 65 | 184044015/0 | 2 | Front Wheel Rimm | Cerchio Ruota Ant. | Bandage Roue | Hinterrad Felger | 13" |
| 65 | 184044014/0 | 2 | Rear Wheel Rimm | Cerchio Ruota Post. | Bandage Roue | Hinterrad Felger | 11" |
| 66 | 125590018/0 | 2 | Tyre | Pneumatico | Pneu | Reifen | 13" |
| 66 | 127590067/0 | 2 | Tyre | Pneumatico | Pneu | Reifen | 11" |
| 67 | 112001010/0 | 2 | Benzing Ring | Anello Benzing | Anneau Benzing | Ring Benzing | |
| 68 | 125670005/2 | 4 | Washer | Rosetta | Rondelle | Scheibe | |
| 69 | 184044013/0 | 2 | Rimm | Cerchio Ruota | Bandage Roue | Hinterrad Felger | |
| 70 | 125590000/0 | 2 | Front Tyre | Pneumatico Anteriore | Pneu Avant | Vorderreifen | |
| 71 | 127590068/0 | 2 | Tyre | Pneumatico | Pneu | Reifen | 13" |
| 71 | 125590018/0 | 2 | Tyre | Pneumatico | Pneu | Reifen | 11" |
| 72 | 384680076/0 | 2 | Rear Wheel | Ruota Posteriore | Roue Arriere | Hinterrad | 13" |
| 72 | 384680075/0 | 2 | Rear Wheel | Ruota Posteriore | Roue Arriere | Hinterrad | 11" |



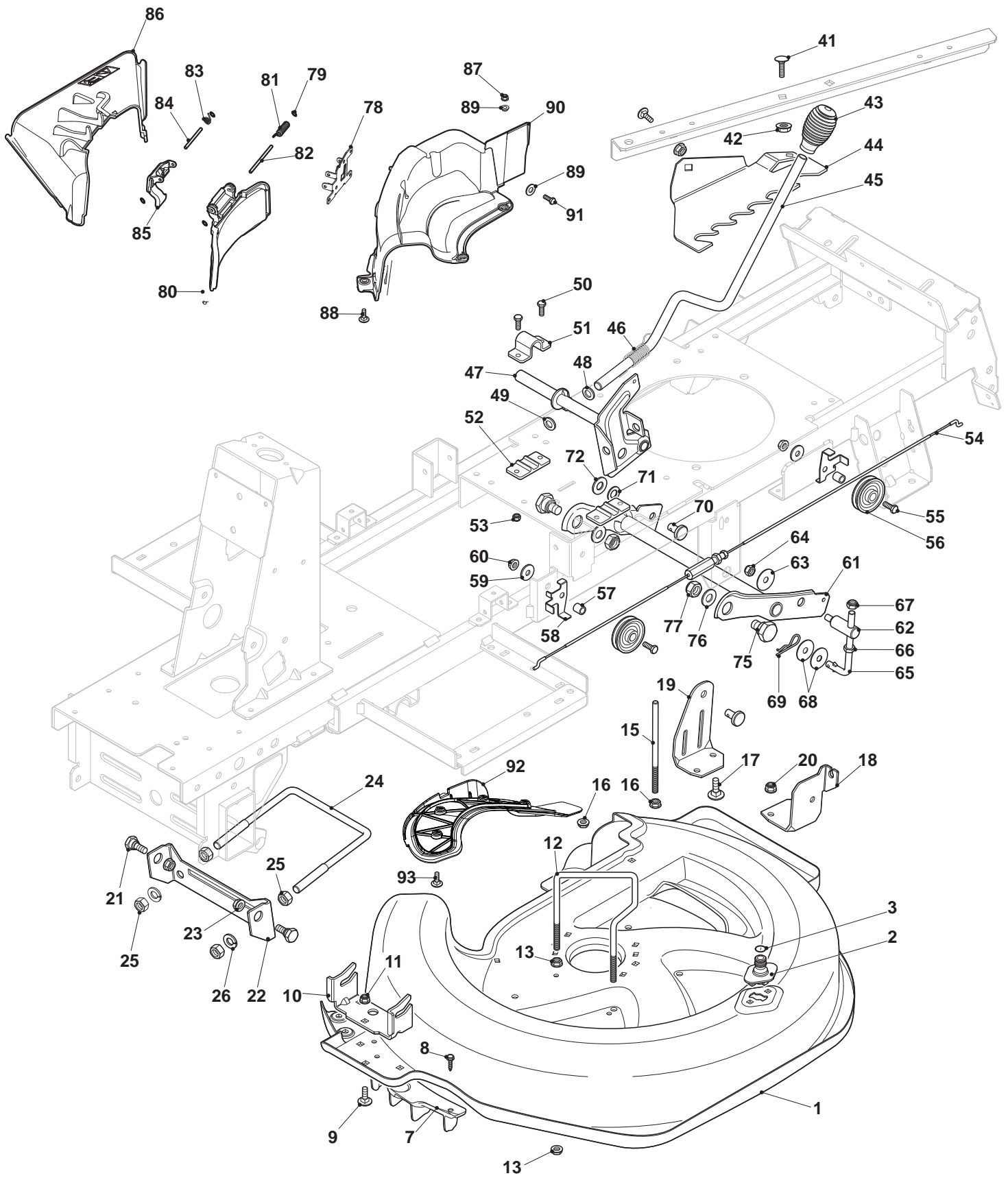
| POS | CODE | Q.TY | DESCRIPTION | DESCRIZIONE | DESCRIPTION | BESCHREIBUNG | NOTES |
|-----|-------------|------|--------------------------|---------------------------------|----------------------------|----------------------------------|----------------|
| 1 | 184000256/0 | 1 | Throttle Cable | Cavo Acceleratore | Câble Accélérateur | Gashebel Kabel | |
| 2 | 125943012/0 | 2 | Screw | Vite | Vis | Schraube | |
| 3 | 112726388/0 | 1 | Screw | Vite | Vis | Schraube | |
| 4 | 125394501/0 | 1 | Knob | Manopolina | Poignee | Knopf | |
| 5 | 112290800/0 | 1 | Hexagonal Nut | Dado | Ecrou | Nuss | |
| 6 | 112735599/0 | 1 | Screw | Vite | Vis | Schraube | |
| 7 | 112540040/0 | 1 | Washer | Rosetta | Rondelle | Scheibe | |
| 8 | 112735110/0 | 1 | Screw | Vite | Vis | Schraube | |
| 9 | 118738252/0 | 1 | Exhaust Tube | Tube Raccordo Scarico | Exhaust Tube | Exhaust Tube | |
| 11 | 112735108/1 | 3 | Screw | Vite | Vis | Schraube | |
| 12 | 112540070/0 | 3 | Washer | Rosetta | Rondelle | Scheibe | |
| 16 | 127790000/1 | 1 | Fuel Cap | Tappo Serbatoio | Bouchon Reservoir | Tank Einfüllstopfen | |
| 17 | 327600180/0 | 1 | Tank Protection | Protezione Serbatoio | Protection de réservoir | Tankschutz | |
| 18 | 327869054/1 | 1 | Fuel Discharge Pipe | Tube Scarico | Tuyau d'échappement | Rohr Für Apgasung | L= 450 mm |
| 19 | 327733008/0 | 1 | Fuel Tank | Serbatoio | Réservoir à carburant | Treibstofftank | |
| 20 | 112727801/0 | 1 | Screw | Vite | Vis | Schraube | |
| 21 | 112523040/0 | 1 | Washer | Rondella | Rondelle | Scheibe | |
| 22 | 125943010/0 | 2 | Screw | Vite | Vis | Schraube | |
| 23 | 118375051/1 | 4 | Fair Led | Fascetta | Fixation De Cable | Kabelbefestigung | |
| 24 | 325869035/1 | 1 | Connecting Tube | Tube Collegamento | Tube De Connexion | Verbindungsrohr | |
| 31 | 112736850/0 | 1 | Screw | Vite | Vis | Schraube | 13" |
| 31 | 112735694/0 | 1 | Screw | Vite | Vis | Schraube | 11" |
| 32 | 112543000/0 | 1 | Washer | Rosetta | Rondelle | Scheibe | |
| 33 | 384601500/0 | 1 | Pulley | Puleggia | Poulie | Riemenscheibe | 13" |
| 33 | 384601501/0 | 1 | Pulley | Puleggia | Poulie | Riemenscheibe | 11" |
| 35 | 114366874/0 | 1 | Label | Etichetta | Etiquette | Etikett | Electric Start |
| 35 | 114366873/0 | 1 | Label | Etichetta | Etiquette | Etikett | Manual Start |
| 36 | 327772239/0 | 1 | Pulley | Puleggia | Riemenscheibe | Poulie | |
| 37 | 112791200/1 | 1 | Screw | Vite | Vis | Schraube | |
| 38 | 112292102/0 | 1 | Nut | Dado | Ecrou | Nuss | |
| 39 | 122675110/0 | 1 | Washer | Rosetta | Rondelle | Scheibe | |
| 40 | 327730001/0 | 1 | Plastic Intake Separator | Separatore Aspirazione Plastica | Augenabscheider Kunststoff | Separateur Aspirations Plastique | |
| 41 | 112521460/0 | 2 | Washer | Rondella | Rondelle | Scheibe | |
| 42 | 112731580/0 | 2 | Screw | Vite | Vis | Schraube | |
| 43 | 127730000/0 | 1 | Sponge Intake Separator | Separatore Aspirazione Spugna | Augenabscheider Schwamm | Separateur Aspirations Eponge | |



| Engine - GGP | | | | | | | |
|--------------|-------------|------|-----------------|----------------------|-------------------------|---------------------|----------------|
| POS | CODE | Q.TY | DESCRIPTION | DESCRIZIONE | DESCRIPTION | BESCHREIBUNG | NOTES |
| 1 | 184000256/0 | 1 | Throttle Cable | Cavo Acceleratore | Câble Accélérateur | Gashebel Kabel | |
| 2 | 125943012/0 | 2 | Screw | Vite | Vis | Schraube | |
| 3 | 112726388/0 | 1 | Screw | Vite | Vis | Schraube | |
| 4 | 125394501/0 | 1 | Knob | Manopolina | Poignee | Knopf | |
| 5 | 112290800/0 | 1 | Nut | Dado | Ecrou | Mutter | |
| 6 | 112735599/0 | 1 | Screw | Vite | Vis | Schraube | |
| 7 | 112540040/0 | 1 | Washer | Rosetta | Rondelle | Scheibe | |
| 8 | 112735110/0 | 4 | Screw | Vite | Vis | Schraube | |
| 9 | 118738251/0 | 1 | Exhaust Tube | Tubo Racc. Scarico | Tube d'échappement | Abgasrohr | |
| 11 | 112735109/1 | 2 | Screw | Vite | Vis | Schraube | |
| 12 | 112540070/0 | 2 | Washer | Rosetta | Rondelle | Scheibe | |
| 13 | 112691200/0 | 1 | Screw | Vite | Vis | Schraube | |
| 14 | 112521350/0 | 1 | Washer | Rondella | Rondelle | Scheibe | |
| 15 | 112154210/0 | 1 | Nut | Dado | Ecrou | Mutter | |
| 16 | 127790000/1 | 1 | Fuel Cap | Tappo Serbatoio | Bouchon Reservoir | Tank Einfüllstopfen | |
| 17 | 327600180/0 | 1 | Tank Protection | Protezione Serbatoio | Protection de réservoir | Tankschutz | |
| 18 | 327869054/1 | 1 | Connecting Tube | Tubo Collegamento | Tube De Connexion | Verbindungsrohr | L= 450 mm |
| 19 | 327733008/0 | 1 | Fuel Tank | Serbatoio | Réservoir à carburant | Treibstofftank | |
| 20 | 112727801/0 | 1 | Screw | Vite | Vis | Schraube | |
| 21 | 112523040/0 | 1 | Washer | Rondella | Rondelle | Scheibe | |
| 22 | 125943010/0 | 2 | Screw | Vite | Vis | Schraube | |
| 23 | 118375051/1 | 4 | Fair Led | Fascetta | Fixation De Cable | Kabelbefestigung | |
| 24 | 325869035/1 | 1 | Connecting Tube | Tubo Collegamento | Tube De Connexion | Verbindungsrohr | |
| 31 | 112736850/0 | 1 | Screw | Vite | Vis | Schraube | 13" |
| 31 | 112735694/0 | 1 | Screw | Vite | Vis | Schraube | 11" |
| 32 | 112543000/0 | 1 | Washer | Rosetta | Rondelle | Scheibe | |
| 33 | 384601500/0 | 1 | Pulley | Puleggia | Poulie, Roue Avant | Riemenscheibe | 13" |
| 33 | 384601501/0 | 1 | Pulley | Puleggia | Poulie, Roue Avant | Riemenscheibe | 11" |
| 34 | 327951200/1 | 1 | Fan | Ventola | Ventilateur | Ventilator | |
| 35 | 114366905/0 | 1 | Label | Etichetta | Etiquette | Etikett | Electric Start |
| 35 | 114366904/0 | 1 | Label | Etichetta | Etiquette | Etikett | Manual Start |
| 36 | 327772239/0 | 1 | Clamp | Staffa | Etrier | Bride | |
| 37 | 112791200/1 | 3 | Screw | Vite | Vis | Schraube | |
| 38 | 112292102/0 | 3 | Nut | Dado | Ecrou | Mutter | |
| 39 | 122675110/0 | 2 | Washer | Rosetta | Rondelle | Scheibe | |



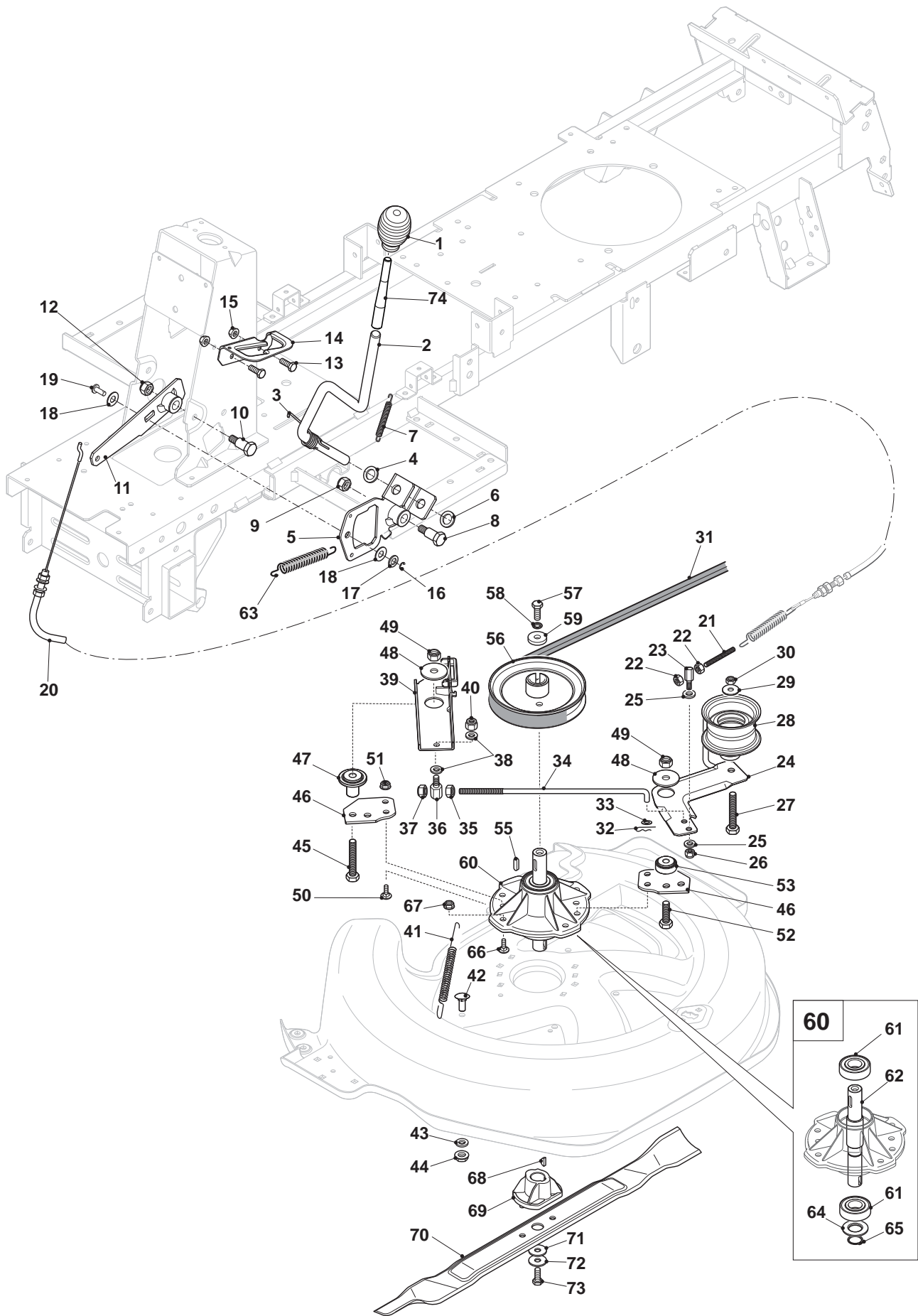
| Transmission | | | | | | | Peerless MST-204-581A |
|--------------|-------------|------|----------------------------|------------------------|------------------------|-----------------------|-----------------------|
| POS | CODE | Q.TY | DESCRIPTION | DESCRIZIONE | DESCRIPTION | BESCHREIBUNG | NOTES |
| 1 | 325110391/0 | 1 | Clamp Cover | Copristaffa | Couvre Etrier | Bridedeckel | |
| 2 | 384503013/0 | 1 | Pedal | Pedale Freno | Pedal | Pedal | |
| 3 | 127430594/0 | 2 | Spring | Molla | Ressort | Feder | |
| 4 | 384004607/0 | 1 | Tightener Cable | Cavo Comando Galoppino | Fil | Kabel | |
| 5 | 127510120/0 | 1 | Pin | Perno | Pivot | Stift | |
| 6 | 112521350/0 | 1 | Washer | Rondella | Rondelle | Scheibe | |
| 7 | 124487997/0 | 1 | Cotter Pin | Copiglia | Goupille | Split | |
| 8 | 112791400/0 | 4 | Screw | Vite | Vis | Schraube | |
| 9 | 325785350/0 | 2 | Support | Supporto | Support | Halter | |
| 10 | 325547231/0 | 2 | Plate | Piastrina | Plaque | Plättchen | |
| 11 | 112154510/0 | 4 | Nut | Dado | Écrou | Mutter | |
| 12 | 122524970/3 | 1 | Pin | Perno | Pivot | Stift | |
| 13 | 384002097/0 | 1 | Brake Control Rod | Asta Comando Freno | Stange | Tige Commande Frein | |
| 14 | 112154210/0 | 1 | Nut | Dado | Écrou | Mutter | |
| 15 | 127395050/1 | 1 | Knob | Manopolina | Poignee | Knopf | |
| 16 | 384004603/0 | 1 | Wire | Filo | Fil | Kabel | |
| 17 | 127510120/0 | 1 | Pin | Perno | Pivot | Stift | |
| 18 | 325670011/0 | 1 | Antifriction Washer | Rondella Antifrizione | Rondelle Antifricition | Antifricition Scheibe | |
| 19 | 124487997/0 | 1 | Cotter Pin | Copiglia | Goupille | Split | |
| 21 | 112691900/0 | 1 | Screw | Vite | Vis | Schraube | |
| 22 | 127160065/0 | 1 | Spacer | Distanziale | Entretoise | Distanzring | |
| 23 | 122041980/0 | 1 | Bush | Bussola | Douille | Büchse | |
| 24 | 384307003/0 | 1 | Tightener Lever | Leva Galoppino | Levier | Hebel | |
| 25 | 112523070/0 | 1 | Washer | Rondella | Rondelle | Scheibe | |
| 26 | 112155000/0 | 1 | Nut | Dado | Écrou | Mutter | |
| 27 | 112691115/0 | 1 | Screw | Vite | Vis | Schraube | |
| 28 | 112523060/0 | 1 | Washer | Rondella | Rondelle | Scheibe | |
| 29 | 127604015/0 | 1 | Pulley | Puleggia | Poulie | Riemenscheibe | |
| 30 | 127160064/0 | 1 | Spacer | Distanziale | Entretoise | Distanzring | |
| 31 | 112155000/0 | 1 | Nut | Dado | Écrou | Mutter | |
| 32 | 127430594/0 | 1 | Spring | Molla | Ressort | Feder | |
| 33 | 112791200/1 | 1 | Screw | Vite | Vis | Schraube | |
| 34 | 322806619/0 | 1 | Support | Supporto | Support | Halter | |
| 35 | 112292102/0 | 1 | Nut | Dado | Écrou | Mutter | |
| 36 | 127510120/0 | 1 | Pin | Perno | Pivot | Stift | |
| 37 | 112521350/0 | 1 | Washer | Rondella | Rondelle | Scheibe | |
| 38 | 124487997/0 | 1 | Cotter Pin | Copiglia | Goupille | Split | |
| 41 | 125394510/0 | 1 | Knob | Manopola | Poignee | Knopf | |
| 42 | 384317097/0 | 1 | Lever, Speed Drive Control | Leva Comando Marce | Levier | Hebel, Gängeschaltun | |
| 43 | 125430226/0 | 1 | Spring | Molla | Ressort | Feder | |
| 44 | 384773579/0 | 1 | Bracket | Staffa | Etrier | Etrier | |
| 45 | 112692050/0 | 1 | Screw | Vite | Vis | Schraube | |
| 46 | 112155000/0 | 1 | Nut | Dado | Écrou | Mutter | |
| 47 | 127510122/0 | 1 | Bracket | Staffa | Pivot | Etrier | |
| 48 | 327772197/0 | 1 | Bracket | Staffa | Etrier | Etrier | |
| 49 | 112154210/0 | 1 | Nut | Dado | Écrou | Mutter | |
| 50 | 112791200/1 | 2 | Screw | Vite | Vis | Schraube | |
| 51 | 112292102/0 | 2 | Nut | Dado | Écrou | Mutter | |
| 52 | 384004602/0 | 1 | Wire | Filo | Fil | Kabel | |
| 53 | 327772195/0 | 1 | Front Bracket | Staffa Anteriore | Etrier | Vorne bügel | |
| 54 | 112792611/0 | 1 | Screw | Vite | Vis | Schraube | |
| 55 | 112293201/0 | 1 | Nut | Dado | Écrou | Mutter | |
| 56 | 384004609/0 | 1 | Wire | Filo | Fil | Kabel | |
| 57 | 112791200/1 | 2 | Screw | Vite | Vis | Schraube | |
| 58 | 327787093/0 | 1 | Support | Supporto | Support | Halter | |
| 59 | 112292102/0 | 2 | Nut | Dado | Écrou | Mutter | |
| 60 | 327110509/0 | 1 | Inspection Door | Portina Chiusura | Couvre | Abdeckplatte | |
| 61 | 135061430/0 | 1 | Belt | Cinghia | Courroie | Riemen | |
| 62 | 112292102/0 | 4 | Nut | Dado | Écrou | Mutter | |
| 63 | 127294011/0 | 1 | Belt Guide | Guidacnghia Puleggia | Guide De Courroie | Riemenführung | |
| 64 | 112608950/0 | 1 | Seeger | Seeger | Seeger | Seeger | |
| 65 | 182601509/0 | 1 | Pulley | Puleggia | Poulie | Riemenscheibe | |
| 66 | 112139430/0 | 1 | Key | Linguetta | Clavette | Keil | |
| 67 | 118400981/0 | 1 | Transmission Unit | Gruppo Trasmissione | Axe Arriere | Antriebsgruppe | |
| 68 | 112691800/0 | 4 | Screw | Vite | Vis | Schraube | |
| 69 | 112154210/0 | 4 | Nut | Dado | Écrou | Mutter | |
| 70 | 125670005/2 | 4 | Washer | Rosetta | Rondelle | Scheibe | |
| 71 | 327772189/0 | 2 | Bracket | Staffa | Etrier | Etrier | |
| 72 | 112735150/0 | 2 | Screw | Vite | Vis | Schraube | |
| 73 | 112792611/0 | 2 | Screw | Vite | Vis | Schraube | |
| 74 | 112293201/0 | 2 | Nut | Dado | Écrou | Mutter | |
| 75 | 112735520/0 | 1 | Screw | Vite | Vis | Schraube | |
| 76 | 112540040/0 | 1 | Washer | Rosetta | Rondelle | Scheibe | |
| 77 | 322680009/0 | 1 | Washer | Rosetta | Rondelle | Scheibe | |
| 78 | 327543055/0 | 1 | Plate | Piastra | Levier | Plaque | |
| 79 | 127430597/0 | 1 | Spring | Molla | Ressort | Feder | |
| 81 | 119410608/1 | 1 | Neutral Switch | Micro Folle | Int. Boîte De Vitesse | Leerlauf Mikrosch. | |
| 82 | 127065069/0 | 1 | Wire | Cavo Prolunga | Cables | Wire | |



Cutting Plate and Lifting

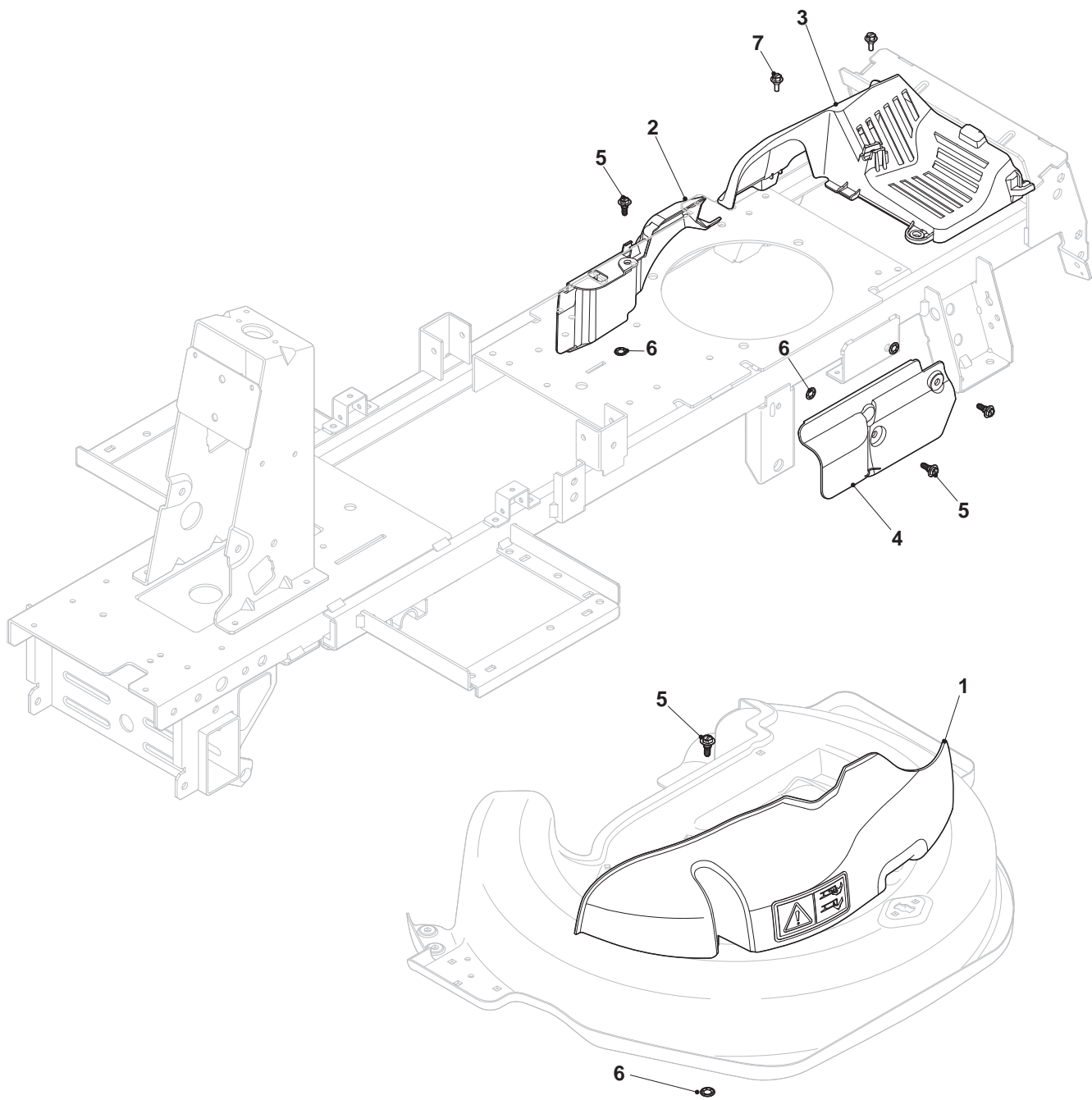
for Side Discharge

| POS | CODE | Q.TY | DESCRIPTION | DESCRIZIONE | DESCRIPTION | BESCHREIBUNG | NOTES |
|-----|-------------|------|----------------------------|-----------------------------|----------------------------------|-------------------------|-------|
| 1 | 384564114/0 | 1 | Cutting Plate, Black | Piatto Di Taglio Nero | Plateau De Coupe Noir | Schneidwerkzeug Schwarz | |
| 2 | 325033086/0 | 1 | Water Hose Connection | Attacco Tubo Acqua | Raccord Tuyau D'Eau | Wasseranschluss | |
| 3 | 119035000/0 | 1 | Or Ring | Anello Or | Bague Or | Ring Or | |
| 7 | 327488001/0 | 1 | Front Combi | Pettine Anteriore | Vorne Comb | Peigne Avant | |
| 8 | 112735402/0 | 3 | Screw | Vite | Vis | Schraube | |
| 9 | 112818690/0 | 3 | Screw | Vite | Vis | Schraube | |
| 10 | 327772175/0 | 1 | Front Bracket | Staffa Anteriore | étrier avant | Vorne bügel | |
| 11 | 112154210/0 | 3 | Nut | Dado | Ecrou | Mutter | |
| 12 | 127294008/0 | 1 | Belt Guide | Guidacingshia Puleggia | Guide Courroire Poulie | Riemenführung | |
| 13 | 112292102/0 | 4 | Nut | Dado | Ecrou | Mutter | |
| 15 | 127580077/0 | 1 | Belt Guide | Piolo Guidacingshia | Guide De Courroire | Riemenführung | |
| 16 | 112293201/0 | 2 | Nut | Dado | Ecrou | Mutter | |
| 17 | 112818690/0 | 4 | Screw | Vite | Vis | Schraube | |
| 18 | 327772179/0 | 1 | Bracket, Left | Staffa Sinistra | Etrier Gauche | Steigbügel, Linke | |
| 19 | 327772177/0 | 1 | Bracket, Right | Staffa Destra | Etrier Droit | Steigbügel, Rechte | |
| 20 | 112154210/0 | 4 | Nut | Dado | Ecrou | Mutter | |
| 21 | 127510121/0 | 2 | Plate | Piastra | Platte | Plaque | |
| 22 | 327543043/0 | 1 | Plate | Piastra | Platte | Plaque | |
| 23 | 112154210/0 | 2 | Nut | Dado | Ecrou | Mutter | |
| 24 | 127840056/0 | 1 | Front Tie Rod | Tirante Anteriore | Tirant | Spannstange | |
| 25 | 112293200/0 | 4 | Nut | Dado | Ecrou | Mutter | |
| 26 | 112585100/0 | 2 | Washer | Rosetta | Rondelle | Scheibe | |
| 41 | 112818690/0 | 2 | Screw | Vite | Vis | Schraube | |
| 42 | 112293200/0 | 2 | Nut | Dado | Ecrou | Mutter | |
| 43 | 125394510/0 | 1 | Knob | Manopola | Poignee | Knopf | |
| 44 | 327734063/0 | 1 | Sector, Height Adjustment | Settore Regolazione Altezza | Secteur Reglage Hauteur | Sektor, Höheverstellung | 13" |
| 44 | 327734067/0 | 1 | Sector, Height Adjustment | Settore Regolazione Altezza | Secteur Reglage Hauteur | Sektor, Höheverstellung | 11" |
| 45 | 327315135/0 | 1 | Cutting Deck Lifting Lever | Leva Sollevamento Piatto | Levier Soulevement Plateau Coupe | Aufhebenhebelsatz | |
| 46 | 127430595/0 | 1 | Spring | Molla | Ressort | Feder | |
| 47 | 384001035/1 | 1 | Fulcrum Axle | Asse Fulcro Piatto | Axe Point d'Appui | Achse | |
| 48 | 112521370/0 | 1 | Washer | Rondella | Rondelle | Scheibe | |
| 49 | 122020050/0 | 1 | Ring | Anello | Anneau | Ring | |
| 50 | 112791400/0 | 4 | Screw | Vite | Vis | Schraube | |
| 51 | 325547231/0 | 2 | Plate | Piastrina | Plaque | Plättchen | |
| 52 | 325785350/0 | 2 | Support | Supporto | Support | Halter | |
| 53 | 112154510/0 | 4 | Nut | Dado | Ecrou | Mutter | |
| 54 | 384004600/0 | 1 | Lifting Wire | Filo Sollevamento | Fil | Kabel | 13" |
| 54 | 384004605/0 | 1 | Lifting Wire | Filo Sollevamento | Fil | Kabel | 11" |
| 55 | 112691100/0 | 2 | Screw | Vite | Vis | Schraube | |
| 56 | 125601579/0 | 2 | Pulley | Puleggia | Poulie | Riemenscheibe | |
| 57 | 125040636/1 | 2 | Bush | Bussola | Buchse | Douille | |
| 58 | 327543037/0 | 2 | Guide Shoe | Pettine Guida | Patin | Gleitschuh | |
| 59 | 112523060/0 | 2 | Washer | Rondella | Rondelle | Scheibe | |
| 60 | 112293201/0 | 2 | Nut | Dado | Ecrou | Mutter | |
| 61 | 384001037/0 | 1 | Axle | Asse | Achse | Axe | |
| 62 | 127510125/0 | 1 | Pin | Perno | Goupille | Stift | |
| 63 | 322672152/0 | 1 | Antifriction Washer | Rondella Antifrizione | Rondelle Antifricition | Anti Friktionswäscher | |
| 64 | 112155000/0 | 2 | Nut | Dado | Ecrou | Mutter | |
| 65 | 127840057/0 | 1 | Tie Rod | Tirante | Tirant | Spannstange | |
| 66 | 112295200/0 | 4 | Nut | Dado | Ecrou | Mutter | |
| 68 | 322672152/0 | 2 | Antifriction Washer | Rondella Antifrizione | Rondelle Antifricition | Anti Friktionswäscher | |
| 69 | 125110803/0 | 1 | Cotter pin | Coppiglia | Goupille | Splint | |
| 70 | 127510114/0 | 1 | Pin | Perno | Pivot | Bolzen | |
| 71 | 325670008/1 | 1 | Washer | Rondella | Rondelle | Scheibe | |
| 72 | 112521360/0 | 1 | Washer | Rosetta | Rondelle | Scheibe | |
| 75 | 127510123/0 | 2 | Pin | Perno | Goupille | Stift | |
| 76 | 112521360/0 | 2 | Washer | Rosetta | Rondelle | Scheibe | |
| 77 | 112156602/0 | 2 | Nut | Dado | Ecrou | Mutter | |
| 78 | 327772231/0 | 1 | Bracket | Staffa | Support | Halterung | |
| 79 | 112604896/0 | 4 | Crown Fastener | Fissatore A Corona | Fixateur A Couronne | Kronescheibe | |
| 80 | 327486200/0 | 1 | Ejection Guard | Protezione Uscita | Protection Sortie | Auswurfschutz | |
| 81 | 122450456/0 | 1 | Stone Guard Spring | Molla | Ressort | Feder | |
| 82 | 127510129/0 | 1 | Fulcrum Pin | Perno Fulcro | Pivot | Gelenkpunkt | |
| 83 | 127430599/0 | 1 | Spring | Molla | Ressort | Feder | |
| 84 | 127510128/0 | 1 | Pin | Perno | Pivot | Bolzen | |
| 85 | 327745000/0 | 1 | Safety Device | Sicura Sportello | Safety Device | Safety Device | |
| 86 | 327107506/0 | 1 | Conveyor | Convogliatore | Convoyeur | Auswurf | |
| 87 | 112292102/0 | 4 | Nut | Dado | Écrou | Mutter | |
| 88 | 112815200/0 | 4 | Screw | Vite | Vis | Schraube | |
| 89 | 325160039/0 | 7 | Spacer | Distanziale | Entretoise | Distanz | |
| 90 | 327107509/0 | 1 | Conveyor | Convogliatore | Convoyeur | Auswurf | |
| 91 | 112791200/1 | 3 | Screw | Vite | Vis | Schraube | |
| 92 | 327107510/0 | 1 | Conveyor | Convogliatore | Convoyeur | Auswurf | |
| 93 | 112735406/0 | 4 | Screw | Vite | Vis | Schraube | |

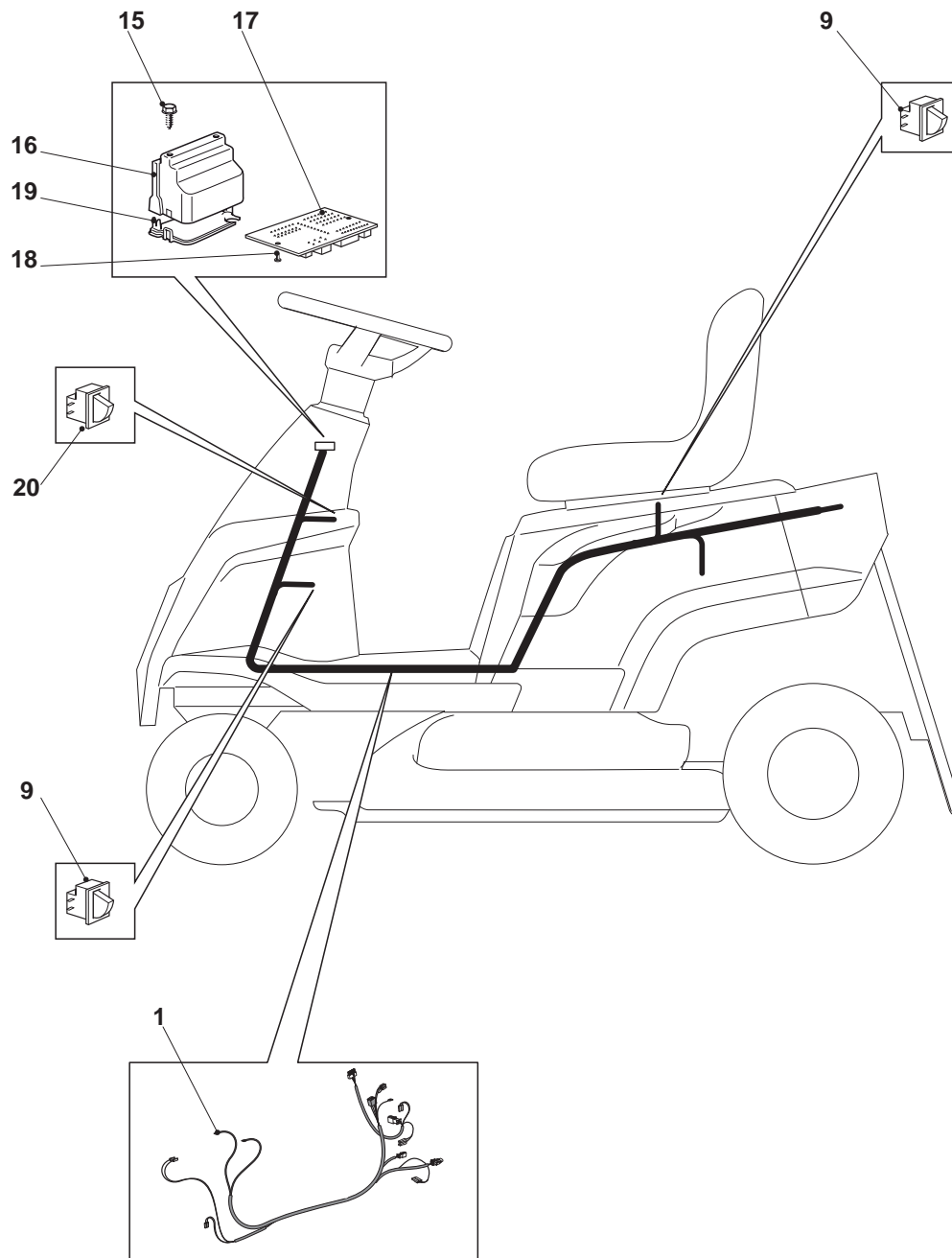


Blades Engagement

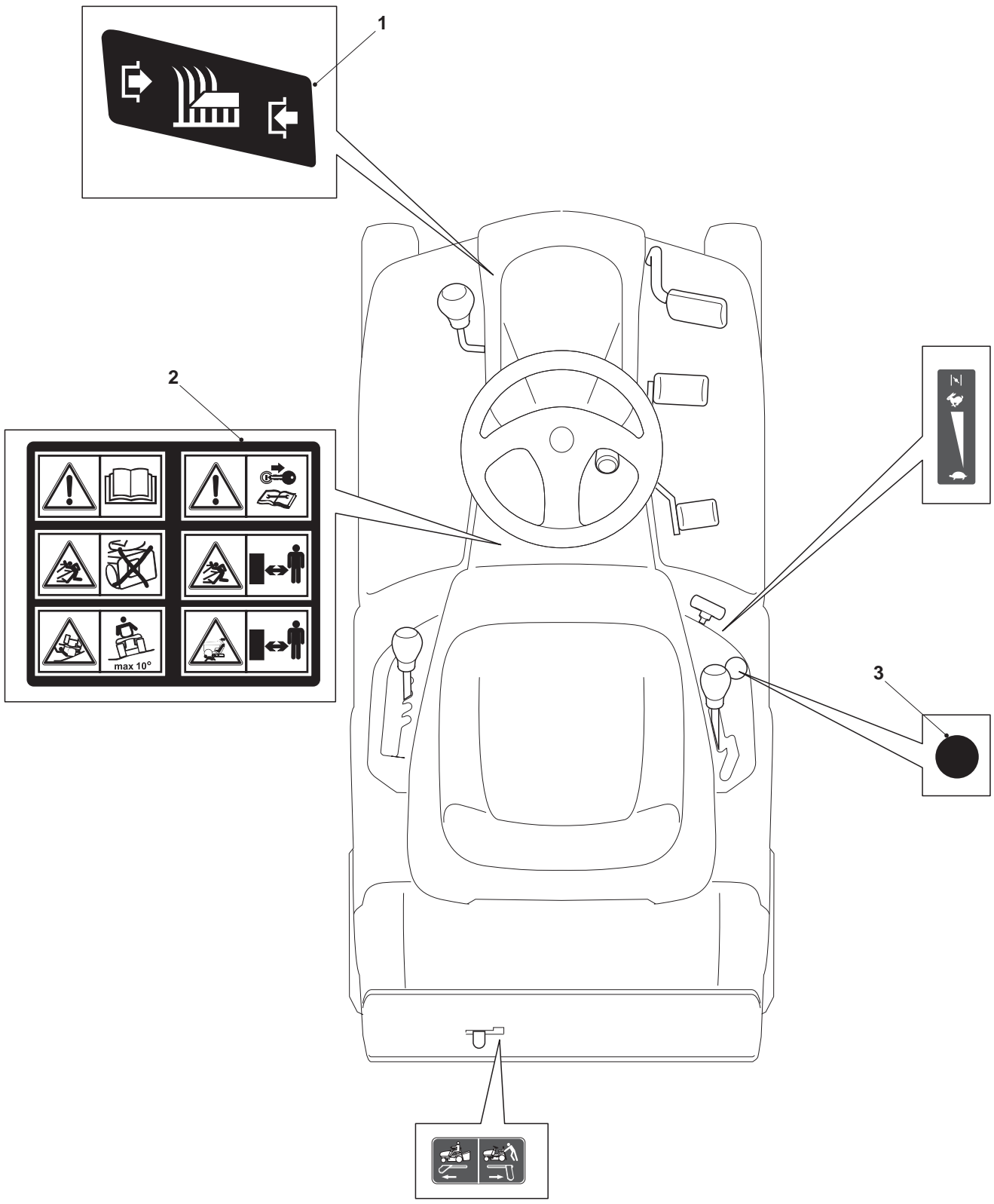
| POS | CODE | Q.TY | DESCRIPTION | DESCRIZIONE | DESCRIPTION | BESCHREIBUNG | NOTES |
|-----|-------------|------|------------------------|-----------------------|-----------------------|----------------------|-------|
| 1 | 125394510/0 | 1 | Knob | Manopola | Poignee | Knopf | |
| 2 | 327315149/0 | 1 | Lever | Leva | Levier | Hebel | |
| 3 | 127430595/0 | 1 | Spring | Molla | Ressort | Feder | |
| 4 | 112521370/0 | 1 | Washer | Rondella | Rondelle | Scheibe | |
| 5 | 384317099/0 | 1 | Lever | Leva | Levier | Hebel | |
| 6 | 122020050/0 | 1 | Ring | Anello | Anneau Ressort | Ring | |
| 7 | 125430208/1 | 1 | Spring | Molla | Ressort | Feder | |
| 8 | 127510122/0 | 1 | Bracket | Staffa | Pivot | Etrier | |
| 9 | 112154210/0 | 1 | Nut | Dado | Ecrou | Mutter | |
| 10 | 127510122/0 | 1 | Bracket | Staffa | Pivot | Etrier | |
| 11 | 384773577/0 | 1 | Bracket | Staffa | Schelle | Support | |
| 12 | 112154210/0 | 1 | Nut | Dado | Ecrou | Mutter | |
| 13 | 112815200/0 | 2 | Screw | Vite | Vis | Schraube | |
| 14 | 327734065/0 | 1 | Sector | Settore | Secteur | Sektor | |
| 15 | 112292102/0 | 2 | Nut | Dado | Ecrou | Mutter | |
| 16 | 112000930/0 | 1 | Benzing Ring | Anello Benzing | Anneau Benzing | Ring Benzing | |
| 17 | 112521350/0 | 1 | Washer | Rondella | Rondelle | Scheibe | |
| 18 | 325670011/0 | 2 | Antifriction Washer | Rondella Antifrizione | Rondelle Antifriction | Antifriction Scheibe | |
| 19 | 125510085/1 | 1 | Pin | Perno | Pivot | Bolzen | |
| 20 | 384004606/0 | 1 | Blades Engagement Wire | Filo Innesto Lama | Fil | Kabel | |
| 21 | 127840058/1 | 1 | Tie Rod | Tirante | | Spannstange | |
| 22 | 112293200/0 | 2 | Nut | Dado | Ecrou | Mutter | |
| 23 | 127510126/0 | 1 | Pin | Perno | Pivot | Stift | |
| 24 | 384307001/0 | 1 | Tightener Lever | Leva Galoppino | Levier | Hebel | |
| 25 | 325670011/0 | 2 | Antifriction Washer | Rondella Antifrizione | Rondelle Antifriction | Antifriction Scheibe | |
| 26 | 112155000/0 | 1 | Nut | Dado | Écrou | Mutter | |
| 27 | 112691600/0 | 1 | Screw | Vite | Vis | Schraube | |
| 28 | 127604008/0 | 1 | Pulley | Puleggia | Poulie | Riemenscheibe | |
| 29 | 112523060/0 | 1 | Washer | Rondella | Rondelle | Scheibe | |
| 30 | 112155000/0 | 1 | Nut | Dado | Écrou | Mutter | |
| 31 | 135061428/0 | 1 | Belt | Cinghia | Courroie | Riemen | |
| 32 | 124487995/0 | 1 | Cotter Pin | Copiglia | Goupille | Split | |
| 33 | 325670011/0 | 1 | Antifriction Washer | Rondella Antifrizione | Rondelle Antifriction | Antifriction Scheibe | |
| 34 | 127034085/0 | 1 | Rod | Asta | Stange | Tige | |
| 35 | 112293200/0 | 1 | Nut | Dado | Ecrou | Mutter | |
| 36 | 127510126/0 | 1 | Pin | Perno | Pivot | Stift | |
| 37 | 112155000/0 | 1 | Nut | Dado | Écrou | Mutter | |
| 38 | 325670011/0 | 2 | Antifriction Washer | Rondella Antifrizione | Rondelle Antifriction | Antifriction Scheibe | |
| 39 | 384220505/0 | 1 | Blade Brake | Freno Lama | Frein | Bremse | |
| 40 | 112155000/0 | 1 | Nut | Dado | Écrou | Mutter | |
| 41 | 127430592/0 | 1 | Spring | Molla | Ressort Frein | Feder | |
| 42 | 112818690/0 | 1 | Screw | Vite | Vis | Schraube | |
| 43 | 112521350/0 | 1 | Washer | Rondella | Rondelle | Scheibe | |
| 44 | 112293201/0 | 1 | Nut | Dado | Ecrou | Mutter | |
| 45 | 112692395/1 | 1 | Screw | Vite | Vis | Schraube | |
| 46 | 327772191/0 | 2 | Bracket | Staffa | Etrier | Etrier | |
| 47 | 127047021/0 | 1 | Bush | Bussola | Douille | Douille | |
| 48 | 112523090/0 | 2 | Washer | Rondella | Rondelle | Scheibe | |
| 49 | 112155020/0 | 2 | Nut | Dado | Ecrou | Mutter | |
| 50 | 112818700/0 | 4 | Screw | Vite | Vis | Schraube | |
| 51 | 112154210/0 | 4 | Nut | Dado | Ecrou | Mutter | |
| 52 | 112794400/0 | 1 | Screw | Vite | Vis | Schraube | |
| 53 | 127047017/0 | 1 | Bush | Bussola | Douille | Douille | |
| 55 | 112139480/0 | 1 | Feather | Linguetta | Clavette | Keil | |
| 56 | 127604014/0 | 1 | Pulley | Puleggia | Poulie | Riemenscheibe | |
| 57 | 112793102/0 | 1 | Screw | Vite | Vis | Schraube | |
| 58 | 112583500/0 | 1 | Grower | Grower | Grower | Grower | |
| 59 | 125670007/0 | 1 | Washer | Rosetta | Rondelle | Scheibe | |
| 60 | 384207251/0 | 1 | Blade Shaft Support | Flangia Albero Lama | Ens. Bride | Messerwelle | |
| 61 | 119216040/0 | 2 | Bearing | Cuscinetto | Roulement | Kugellager | |
| 62 | 127023003/0 | 1 | Shaft | Albero | Arbre | Welle | |
| 63 | 125430259/0 | 1 | Spring | Molla | Rondelle Elastique | Feder | |
| 64 | 325160501/0 | 1 | Dust Cover Disc | Disco Parapolvere | Protege-Poussiere | Staubschuttscheibe | |
| 65 | 112609260/0 | 1 | Seeger | Seeger | Seeger | Seeger | |
| 66 | 112818700/0 | 4 | Screw | Vite | Vis | Schraube | |
| 67 | 112154210/0 | 4 | Nut | Dado | Ecrou | Mutter | |
| 68 | 112139100/0 | 1 | Key | Chiave | Clavette | Schlüssel | |
| 69 | 125463200/0 | 1 | Blade Hub | Mozzo Coltello | Moyeu Lama | Messerhalter | |
| 70 | 184109505/0 | 1 | Blade Winged | Coltello Alettato | Lame | Messer Flügel | |
| 71 | 112508125/0 | 1 | Spring | Molla | Rondelle Elastique | Feder | |
| 72 | 112523080/0 | 1 | Washer | Rosetta | Rondelle | Scheibe | |
| 73 | 112735694/0 | 1 | Screw | Vite | Vis | Schraube | |
| 74 | 327315151/1 | 1 | Lever | Leva | Levier | Hebel | |



| Guards | | | | | | | |
|--------|-------------|------|----------------------------------|-----------------------------------|---------------------|-----------------------|-------|
| POS | CODE | Q.TY | DESCRIPTION | DESCRIZIONE | DESCRIPTION | BESCHREIBUNG | NOTES |
| 1 | 327060111/1 | 1 | Protection Carter | Carter Protezione | Carter | Schutz | |
| 2 | 327060109/0 | 1 | Right Belt Protection Carter | Carter Protezione Cinghia Dx | Carter | Schutz Rechte, Riemen | |
| 3 | 327060108/1 | 1 | Transmission Plate Protection | Carter Protezione Trasmissione | Carter | Antrieb Plattenschutz | |
| 4 | 327060110/0 | 1 | Left Belt Protection Carter | Carter Protezione Cinghia Sx | Carter | Schutz Linke, Riemen | |
| 5 | 125943011/0 | 5 | Screw | Vite | Vis | Schraube | |
| 6 | 112604899/0 | 4 | Crown Fastener | Fissatore A Corona | Fixateur A Couronne | Kronescheibe | |
| 7 | 125943010/0 | 2 | Screw | Vite | Vis | Schraube | |
| 8 | 112604897/0 | 1 | Washer | Rosetta | Rondelle | Scheibe | |
| 9 | 125040636/1 | 1 | Bush | Bussola | Douille | Douille | |



| Electrical Parts | | | | | | | for Side Discharge |
|------------------|-------------|------|----------------------------|-------------------------------|---------------------|----------------------------|--------------------|
| POS | CODE | Q.TY | DESCRIPTION | DESCRIZIONE | DESCRIPTION | BESCHREIBUNG | NOTES |
| 1 | 184040136/0 | 1 | Harness | Cablaggio | Faisceau | Kabelbündel | |
| 9 | 119410606/0 | 2 | Micro Switch | Micro Switch | Micro Switch | Micro Switch | |
| 15 | 112728711/0 | 2 | Screw | Vite | Vis | Schraube | |
| 16 | 127600119/0 | 1 | Electronic Card Protection | Protezione Scheda Elettronica | Protection De Carte | Electronic Card Protection | |
| 17 | 127722357/0 | 1 | Electronic Card | Scheda Elettronica | Carte Electronique | Elektronische Karte | |
| 18 | 112729601/1 | 2 | Screw | Vite | Vis | Schraube | |
| 19 | 127600118/0 | 1 | Electronic Card Protection | Protezione Scheda Elettronica | Protection De Carte | Electronic Card Protection | |
| 20 | 119410614/0 | 1 | Switch | Interruttore | Interrupteur | Schalter | |



| Labels | | | | | | | For Manual Start |
|--------|-------------|------|-------------|-------------|-------------|--------------|------------------|
| POS | CODE | Q.TY | DESCRIPTION | DESCRIZIONE | DESCRIPTION | BESCHREIBUNG | NOTES |
| 1 | 114366875/0 | 1 | Label | Etichetta | Etiquette | Etikett | |
| 2 | 114358809/1 | 1 | Label | Etichetta | Etiquette | Etikett | |
| 3 | 118801364/0 | 1 | Cap | Tappo | Bouchon | Gummistopfen | |