



Green Passion

Illustrated Parts List

SN 622

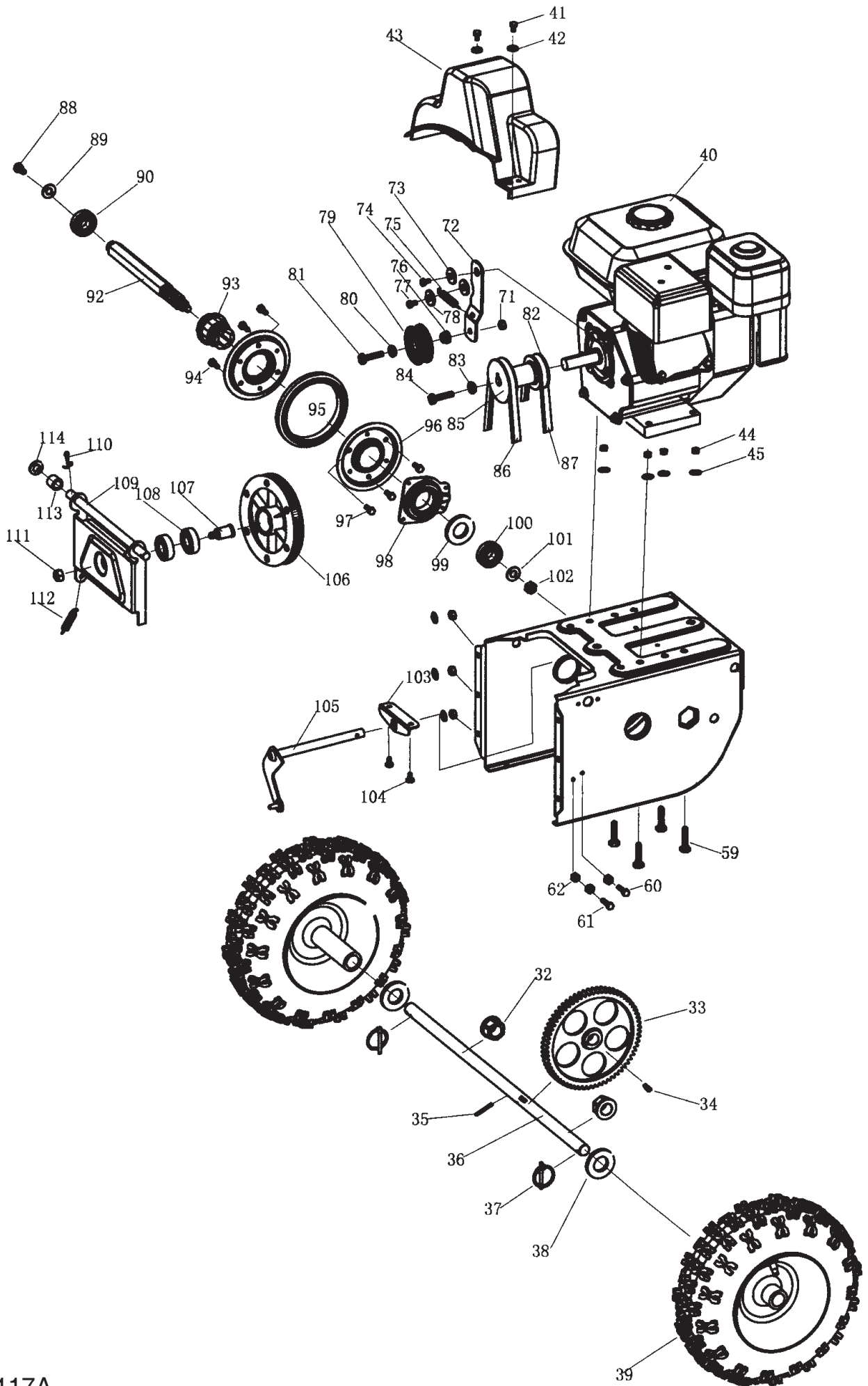
Model Year 2009

- Use GLOBAL GARDEN PRODUCT Genuine Spare Parts specified in the parts list for repair and/or replacement.
- The contents described in the parts list may change due to improvement.
- The drawings of the spare parts are only indicative and might not represent the part in question exactly.
- The indications "right" - "left" - "front" - "rear" refer to the position of the operator when using the machine.
- When placing orders of parts for repair and/or replacement, make sure that the illustrated parts list is the one applying to the machine's year of manufacture, as shown on the identification plate attached to the machine.

COPYRIGHT by GLOBAL GARDEN PRODUCTS

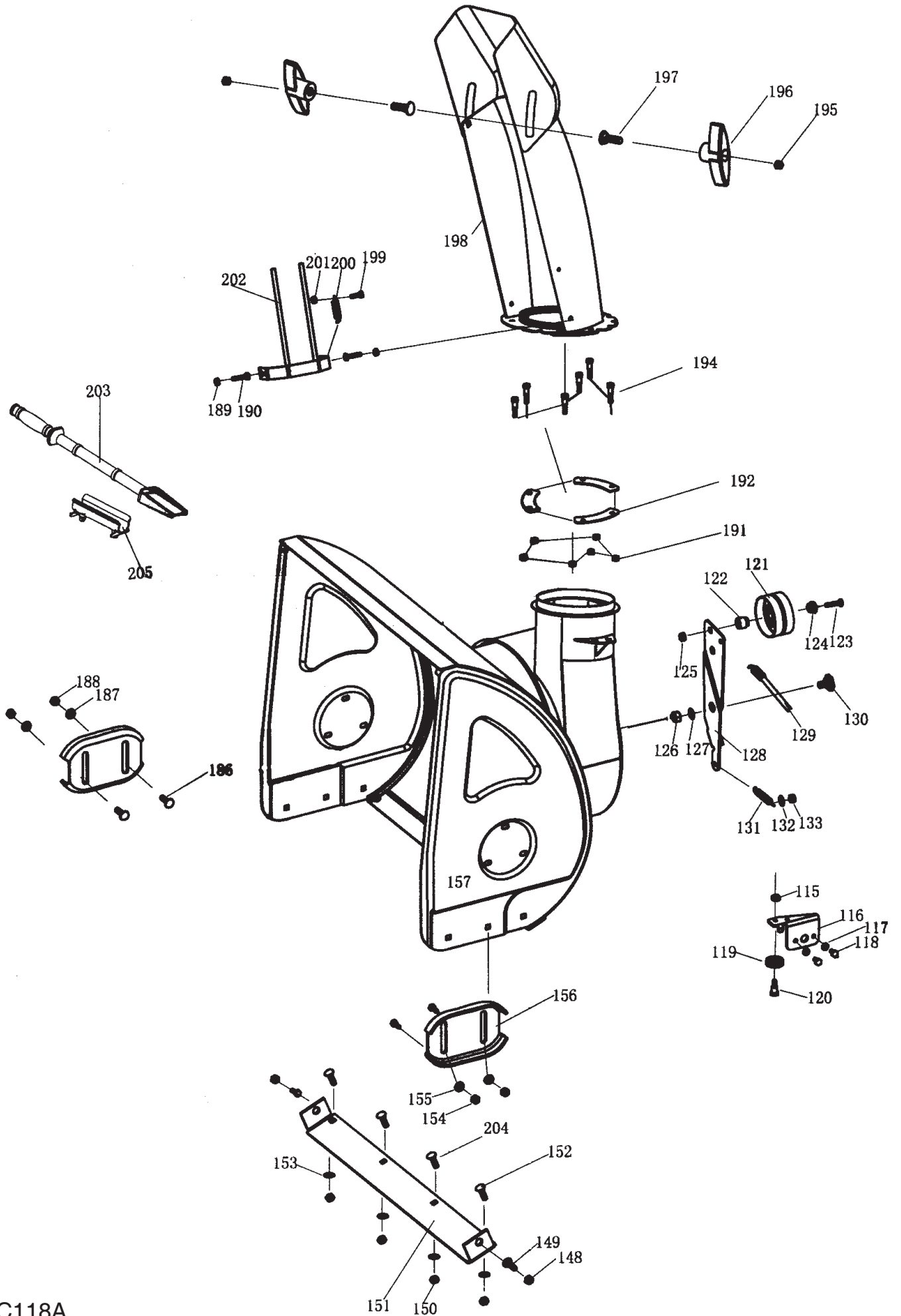
All rights reserved. No part of this material may be reproduced or transmitted, in any form or by any means, electronic or mechanical, including photocopying, recording or by any information storage and retrieval system, without permission in writing from GLOBAL GARDEN PRODUCTS.

Ausgabe Issue 2008-24		Bild Nr Picture No C116A		SN 622 HOLM		SN 622 HANDLE		Seite Page 8	
Pos. Fig.	Anzahl/Quantity				Artikel Nr. Part No	Bezeichnung	Description	Satz Kit	Anmerkung Notes
	2800 -89								
1	1				1811-2558-01	Holm.....	Handle.....		
2	2				9747-0831-02	Mutter.....	Lock nut.....		
3	2				1811-2492-01	Kupplungsgriff.....	Clutch handle.....		
4	2				1811-2472-01	Gummipropfen.....	Rubber cap.....		
5	2				9997-0845-12	Schraube.....	Screw.....		
6	1				1811-2495-02	Panel- rot.....	Panel- red.....		
7	2				1811-2400-01	Schraube.....	Screw.....		
8	2				1811-2458-01	Justierstange.....	Adjustment rod.....		
9	2				9799-0531-02	Mutter.....	Nut.....		
10	1				1811-2456-01	Regulierkabel.....	Control cable.....		
11	2				1811-2494-01	Klemme.....	Clamp.....		
12	2				1811-2401-01	Schraube.....	Screw.....		
13	1				9747-0831-02	Mutter.....	Lock nut.....		
14	1				1811-2459-01	Regulierdraht.....	Control cable.....		
15	1				9787-0831-32	Mutter.....	Nut.....		
16	1				1811-2468-01	Augenbolzen.....	Eye bolt.....		
17	1				1811-2469-01	Gummihülse.....	Rubber sleeve.....		
18	1				1811-2481-01	Shalthebel.....	Gear lever.....		
19	2				9739-0631-22	Mutter.....	Nut.....		
20	2				9997-0620-16	Schraube.....	Screw.....		
21	1				9739-0631-22	Mutter.....	Nut.....		
22	1				9997-0620-16	Schraube.....	Screw.....		
23	1				1811-2482-01	Schaltarm.....	Gear rod.....		
24	1				9997-0625-16	Schraube.....	Screw.....		
25	4				9747-0631-02	Mutter.....	Lock nut.....		
26	4				9997-0635-12	Schraube.....	Screw.....		
27	1				1811-2491-02	Schaltblech- rot.....	Gear select plate- red.....		
28	2				9997-0840-16	Schraube.....	Screw.....		
29	2				1811-2453-01	Holmscheibe.....	Handle washer.....		
30	2				9699-0062-02	Scheibe.....	Flat washer.....		
31	2				9997-0820-16	Schraube.....	Screw.....		
46	2				1811-2476-01	Bolzen.....	Shoulder bolt.....		
47	2				1811-2440-01	Seilrolle.....	Wire pulley.....		
48	1				1811-2439-02	Halterung- rot.....	Bracket- red.....		
49	2				9699-0025-02	Scheibe.....	Washer.....		
50	2				9997-0612-16	Schraube.....	Screw.....		
51	2				9739-0631-22	Mutter.....	Nut.....		
52	1				1811-2437-02	Halterung- rot.....	Bracket- red.....		
53	2				1811-2440-01	Seilrolle.....	Wire pulley.....		
54	2				9997-0612-16	Schraube.....	Screw.....		
55	2				9699-0025-02	Scheibe.....	Washer.....		
56	6				9747-0831-02	Mutter.....	Lock nut.....		
57	6				9699-0028-02	Scheibe.....	Flat washer.....		
58	1				1811-2487-02	Chassis- rot.....	Chassis- red.....		
63	1				9997-0610-16	Schraube.....	Screw.....		
64	1				9699-0025-02	Scheibe.....	Washer.....		
65	1				1811-2442-01	Griff.....	Grip.....		
66	2				9997-0610-16	Schraube.....	Screw.....		
67	2				9699-0025-02	Scheibe.....	Washer.....		
68	1				1811-2486-02	Bundblech- rot.....	Bottom plate- red.....		
69	4				9699-0025-02	Scheibe.....	Washer.....		
70	4				9997-0610-16	Schraube.....	Screw.....		
141	1				1811-2467-01	Einstellkurbel.....	Crank.....		
142	1				1811-2431-01	Buchse.....	Bushing.....		
143	1				9599-0054-02	Splint.....	Cotter pin.....		
144	2				9898-0820-16	Schraube.....	Screw.....		
145	1				1811-2430-02	Halterung- rot.....	Bracket- red.....		
146	2				9747-0831-02	Mutter.....	Lock nut.....		
147	2				9699-0056-02	Scheibe.....	Flat washer.....		
193	2				9699-0072-02	Scheibe.....	Washer.....		
210	1				9699-0029-02	Scheibe.....	Flat washer.....		



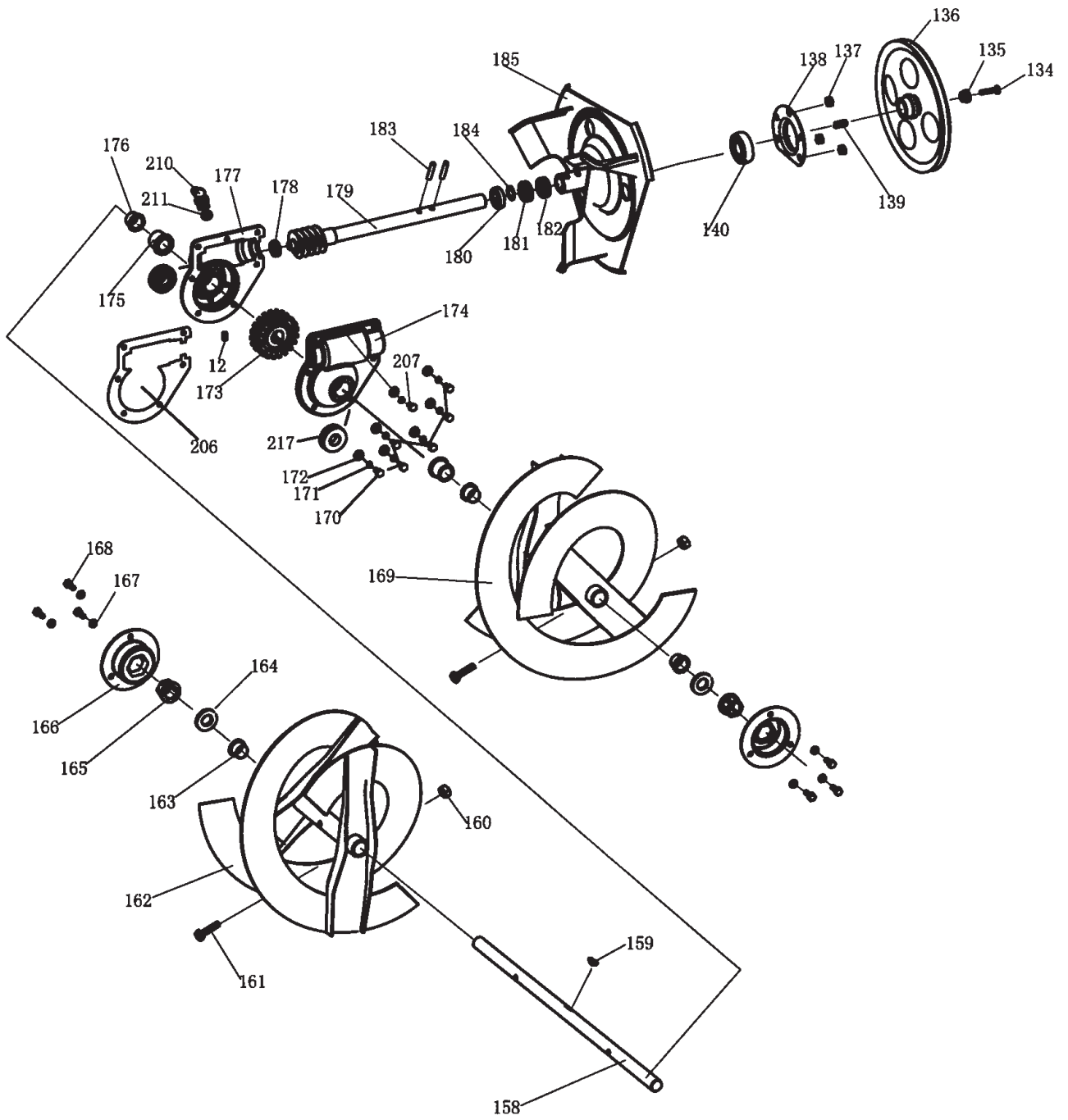
C117A

Ausgabe Issue 2008-24		Bild Nr Picture No C117A		SN 622 TRANSMISSION		SN 622 TRANSMISSION		Seite Page 10	
Pos. Fig.	Anzahl/Quantity				Artikel Nr. Part No	Bezeichnung	Description	Satz Kit	Anmerkung Notes
	2800 -89								
32	2			1811-2452-01	Radachsbuchse	Wheel shaft bushing		4.10 - 6	
33	1			1811-2421-01	Ritzel	Gear			
34	2			1811-2406-01	Keil	Key			
35	1			9595-0212-00	Spannstift	Locating pin			
36	1			1811-2441-01	Radachse	Wheel shaft			
37	2			1811-2478-01	Federschloß	Spring pin			
38	2			1811-2407-01	Planscheibe	Flat washer			
39	2			1811-2408-01	Rad kpl	Wheel assy			
40	1			1811-2496-01	Motor kpl	Engine assy			
41	2			9997-0610-16	Schraube	Screw			
42	2			9699-0025-02	Scheibe	Washer			
43	1			1811-2455-01	Riemenschutz	Belt cover			
44	4			9747-0831-02	Mutter	Lock nut			
45	4			9699-0028-02	Scheibe	Flat washer			
59	4			9997-0835-12	Schraube	Screw			
60	1			9997-0630-12	Schraube	Screw			
61	1			9997-0620-16	Schraube	Screw			
62	3			9739-0631-22	Mutter	Nut			
71	1			9747-0831-02	Mutter	Lock nut			
72	1			1811-2470-01	Spannarm	Tension arm			
73	1			1811-2559-01	Scheibe	Tension washer			
74	1			9997-0820-16	Schraube	Screw			
75	1			1811-2555-01	Feder	Spring			
76	1			1811-2575-01	Scheibe	Washer			
77	1			9997-0812-16	Schraube	Screw			
78	2			9699-0028-02	Scheibe	Flat washer			
79	1			1811-2574-01	Spannrolle kpl	Tension pulley			
80	1			1811-2427-01	Scheibe	Washer			
81	1			9997-0830-16	Schraube	Screw			
82	1			1811-2473-01	Riemenscheibe	Belt pulley			
83	1			1811-2542-01	Planscheibe	Plain cushion			
84	1			9987-5125-16	Schraube	Screw			
85	1			1811-2474-01	Riemenscheibe	Belt pulley			
86	1			1811-2409-01	Riemen	Belt			
87	1			1811-2410-01	Riemen	Belt			
88	1			9997-0816-16	Schraube	Screw			
89	3			9699-0122-02	Scheibe	Washer			
90	1			1811-2411-01	Lager	Bearing			
92	1			1811-2423-01	Sechskantachse	Hex shaft			
93	1			1811-2435-01	Nabe	Hub			
94	3			9997-0612-16	Schraube	Screw			
95	1			1811-2436-01	Frikionsring	Friction ring			
96	2			1811-2433-01	Frikionsrad	Friction wheel			
97	3			9997-0612-16	Schraube	Screw			
98	1			1811-2434-01	Shaltnabe	Gear selector hub			
99	1			1811-2412-01	Schließring	Lock ring			
100	1			1811-2413-01	Lager	Bearing			
101	1			9699-0035-02	Scheibe	Flat washer			
102	1			9747-1031-02	Mutter	Lock nut			
103	1			1811-2420-01	Halterung	Bracket			
104	2			9997-0610-16	Schraube	Screw			
105	1			1811-2465-01	Schaltachse	Gear lever			
106	1			1811-2428-01	Triebrad	Drive pulley			
107	1			1811-2429-01	Achse	Shaft			
108	2			1811-2414-01	Lager	Bearing			
109	1			1811-2424-01	Halte- Triebrad	Bracket- drive pulley			
110	1			9599-0054-02	Splint	Cotter pin			
111	1			9747-1031-02	Mutter	Lock nut			
112	1			1811-2483-01	Feder	Spring			
113	1			1811-2489-01	Hülse	Collar			
114	1			9699-0037-02	Scheibe	Washer			



C118A

Ausgabe Issue 2008-24		Bild Nr Picture No C118A		SN 622 SCHNEEGEHÄUSE		SN 622 AUGER HOUSING		Seite Page 12	
Pos. Fig.	Anzahl/Quantity				Artikel Nr. Part No	Bezeichnung	Description	Satz Kit	Anmerkung Notes
	2800 -89								
115	1				9747-0631-02	Mutter	Lock nut		
116	1				1811-2438-02	Halter- rot	Bracket- red		
117	2				9699-0025-02	Scheibe.....	Washer.....		
118	2				9997-0610-16	Schraube	Screw.....		
119	1				1811-2440-01	Seilrolle	Wire pulley.....		
120	1				1811-2476-01	Bolzen.....	Shoulder bolt		
121	1				1811-2425-01	Spannrolle m.Lager	Tension roller w.bear		
122	1				1811-2426-01	Distanz.....	Spacer		
123	1				9997-0845-12	Schraube	Screw.....		
124	1				1811-2427-01	Scheibe.....	Washer.....		
125	1				9747-0831-02	Mutter.....	Lock nut.....		
126	1				9747-1031-02	Mutter	Lock nut.....		
127	1				9699-0035-02	Scheibe.....	Flat washer.....		
128	1				1811-2448-01	Spannarm	Tension arm		
129	1				1811-2457-01	Feder	Spring		
130	1				1811-2475-01	Schraube	Screw.....		
131	1				1811-2462-01	Feder	Spring		
132	1				9699-0028-02	Scheibe.....	Flat washer.....		
133	1				9747-0831-02	Mutter.....	Lock nut.....		
148	2				9747-0831-02	Mutter.....	Lock nut.....		
149	2				9898-0820-16	Schraube	Screw.....		
150	4				9747-0831-02	Mutter.....	Lock nut.....		
151	1				1811-2548-01	Abstreifer.....	Shave plate		
152	4				9898-0820-16	Schraube	Screw.....		
153	4				9699-0056-02	Scheibe.....	Flat washer.....		
154	2				9747-0831-02	Mutter.....	Lock nut.....		
155	2				9699-0056-02	Scheibe.....	Flat washer.....		
156	2				1811-2568-01	Schleppschuh	Skid shoe		
157	1				1811-2488-02	Gehäuse- rot.....	Auger housing- red		
186	2				9898-0820-16	Schraube	Screw.....		
187	2				9699-0056-02	Scheibe.....	Flat washer.....		
188	2				9747-0831-02	Mutter.....	Lock nut.....		
189	2				9747-0631-02	Mutter	Lock nut.....		
190	2				9997-0616-16	Schraube	Screw.....		
191	6				9747-0631-02	Mutter	Lock nut.....		
192	3				1811-2445-01	Scheibe.....	Chute washer		
194	6				1811-2551-01	Schraube	Screw.....		
195	2				9747-0831-02	Mutter.....	Lock nut.....		
196	2				1811-2498-01	Schloßrad	Locking knob		
197	2				9898-0825-16	Schraube	Screw.....		
198	1				1811-2499-01	Auswurfrohr	Chute		
199	1				9997-0620-16	Schraube	Screw.....		
200	1				1811-2461-01	Feder	Spring		
201	1				9747-0631-02	Mutter	Lock nut.....		
202	1				1811-2432-01	Auswurfschutz.....	Chute guard		
203	1				1811-2500-01	Werkzeug.....	Cleaner stick		
204	2				9898-0820-16	Schraube	Screw.....		
205	1				1811-2572-01	Halter.....	Cleaner stick bracket.....		



Ausgabe Issue 2008-24		Bild Nr Picture No C119B		SN 622 SCHNEESCHRAUBE		SN 622 AUGER		Seite Page 14	
Pos. Fig.	Anzahl/Quantity				Artikel Nr. Part No	Bezeichnung	Description	Satz Kit	Anmerkung Notes
	2800 -89								
12	1				9997-0510-16	Schraube	Screw		
134	1				9997-0820-16	Schraube	Screw		
135	1				9699-0056-02	Scheibe	Flat washer		
136	1				1811-2464-01	Riemenscheibe	Belt pulley		
137	3				9747-0831-02	Mutter	Lock nut		
138	1				1811-2422-01	Lagerhalter	Bearing cover		
139	1				9600-0170-00	Keil	Flat key		
140	1				1811-2415-01	Lager	Bearing		
158	1				1811-2447-01	Schneeschaubenwelle	Auger shaft		
159	1				1811-2416-01	Keil	Key		
160	2				9747-0831-02	• Mutter	• Lock nut		
161	1				1811-9012-01	Sicherheitsbolzen	Shear bolt kit		
162	1				1811-2480-01	Schneeschraube- L	Auger- LH		
163	1				1811-2443-01	Buchse	Shaft bushing		
164	2				1811-2418-01	Planscheibe	Flat washer		
165	2				1811-2444-01	Buchse	Shaft bushing		
166	2				1811-2449-01	Lagerhalter	Bearing cover		
167	6				9699-0028-02	Scheibe	Flat washer		
168	6				9997-0812-16	Schraube	Screw		
169	1				1811-2479-01	Schneeschraube- R	Auger- RH		
170	7				9997-0620-16	Schraube	Screw		
171	7				9683-0025-02	Scheibe	Lock washer		
172	7				9699-0025-02	Scheibe	Washer		
173	1				1811-2463-01	Ritzel	Worm wheel		
174	1				1811-2484-01	Getriebegehäuse- L	Gear housing- LH		
175	1				1811-2490-01	Buchse	Bushing		
176	3				1811-2443-01	Buchse	Shaft bushing		
177	1				1811-2485-01	Getriebegehäuse- R	Gear housing- RH		
178	1				1811-2402-01	Lager	Bearing		
179	1				1811-2454-01	Ventilatorwelle	Fan shaft		
180	1				1811-2403-01	Lager	Bearing		
181	1				1811-2404-01	Drucklager	Thrust bearing		
182	1				1811-2405-01	Dichtring	Seal ring		
183	2				9595-0258-00	Spannstift	Locating pin		
184	1				1811-2477-01	Scheibe	Washer		
185	1				1811-2419-01	Ventilator	Fan		
206	1				1811-2569-01	Dichtung	Gasket		
207	1				9997-0625-16	Schraube	Screw		
210	1				1811-2544-01	Schmiernippel	Grease filling joint		
211	1				1811-2545-01	Dichtung	Gasket		
217	1				1811-2405-01	Oil seal	Dichtung		

Pos 160 incl.