



*Green Passion*

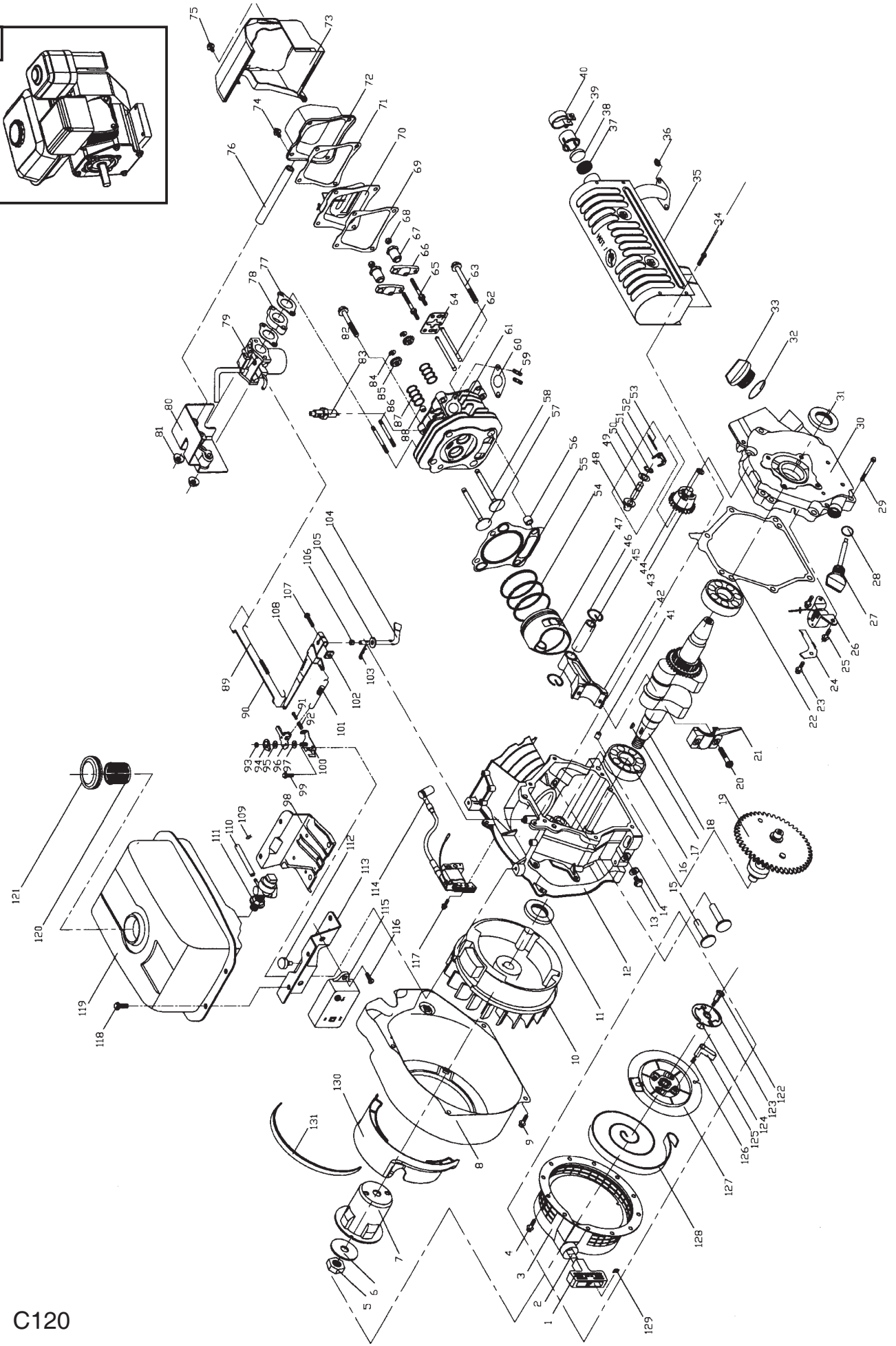
# Illustrated Parts List

## **GGP-Engine for Snow Throwers Model Year 2007**

- Use GLOBAL GARDEN PRODUCT Genuine Spare Parts specified in the parts list for repair and/or replacement.
- The contents described in the parts list may change due to improvement.
- The drawings of the spare parts are only indicative and might not represent the part in question exactly.
- The indications "right" - "left" - "front" - "rear" refer to the position of the operator when using the machine.
- When placing orders of parts for repair and/or replacement, make sure that the illustrated parts list is the one applying to the machine's year of manufacture, as shown on the identification plate attached to the machine.

COPYRIGHT by GLOBAL GARDEN PRODUCTS

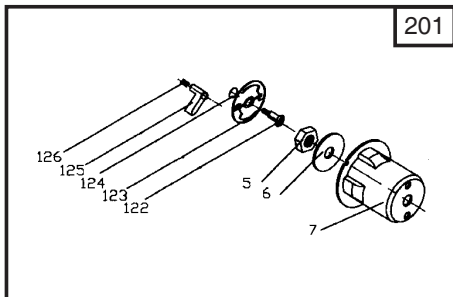
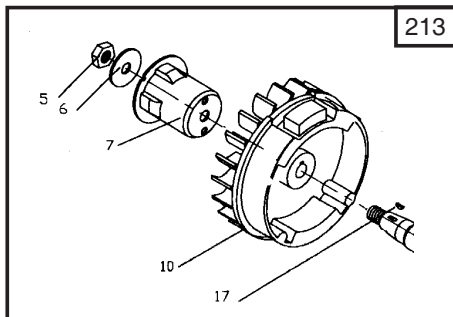
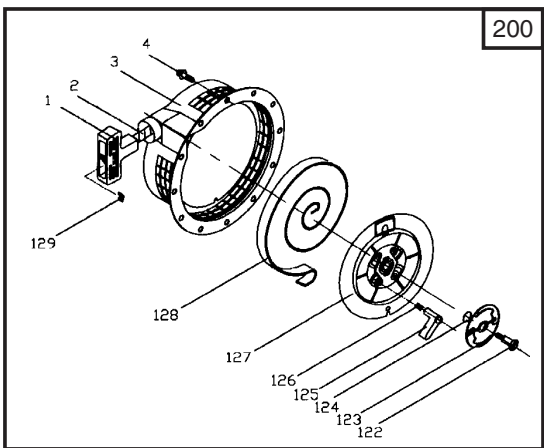
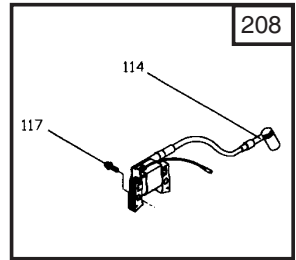
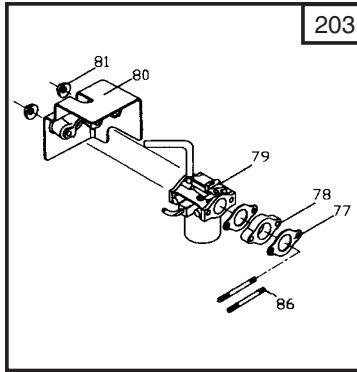
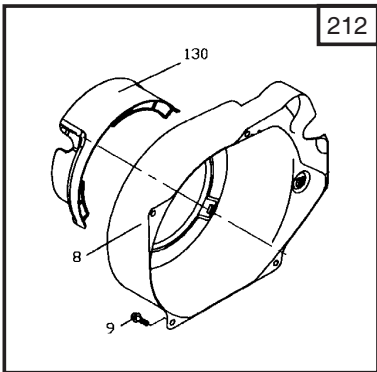
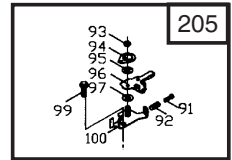
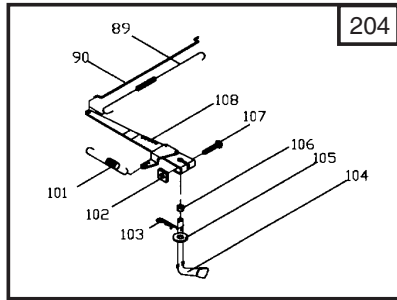
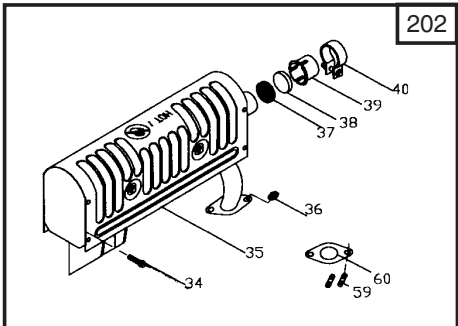
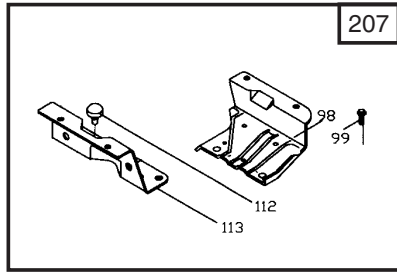
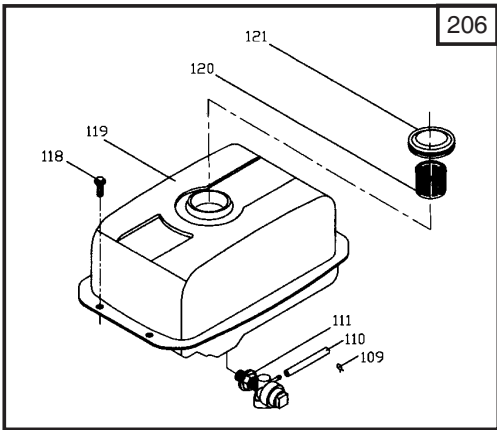
All rights reserved. No part of this material may be reproduced or transmitted, in any form or by any means, electronic or mechanical, including photocopying, recording or by any information storage and retrieval system, without permission in writing from GLOBAL GARDEN PRODUCTS.



C120

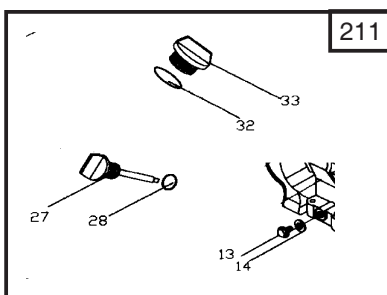
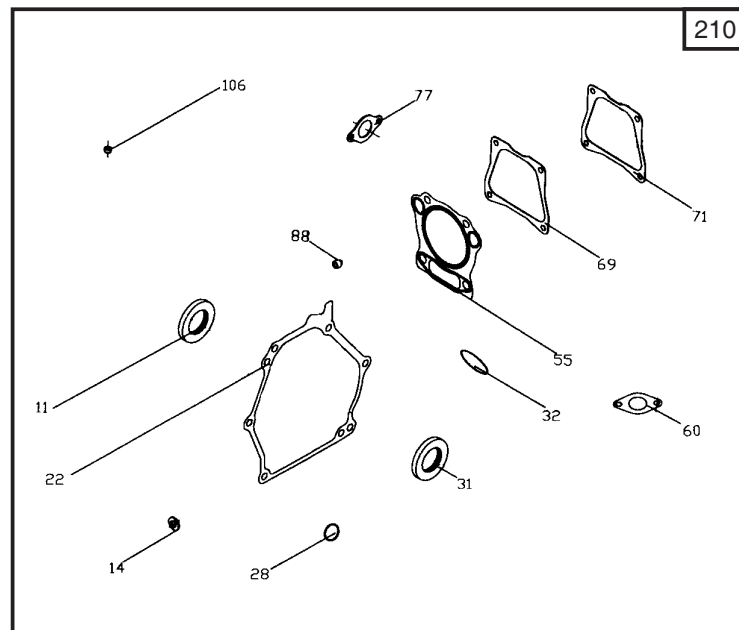
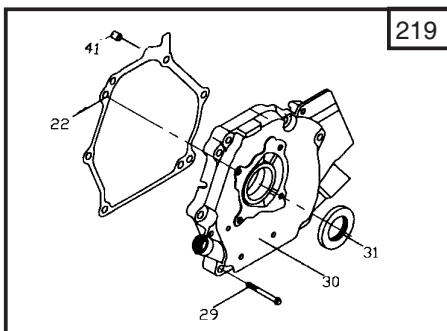
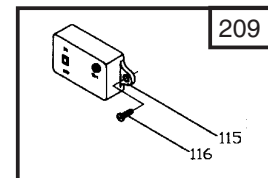
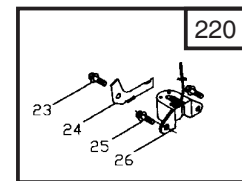
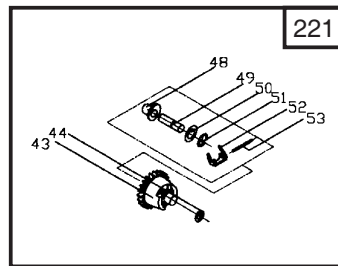
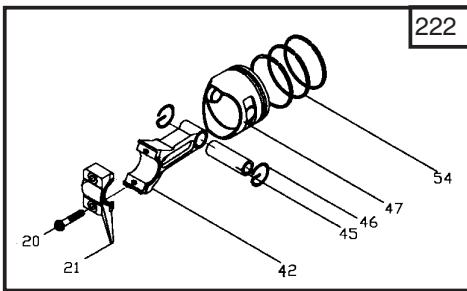
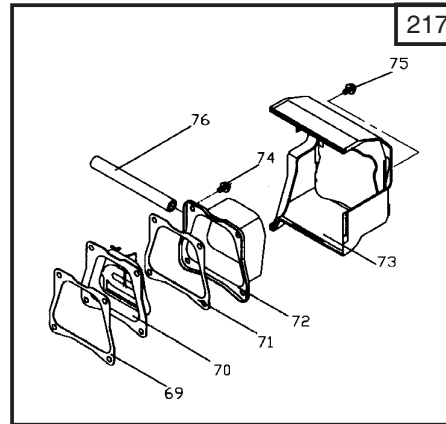
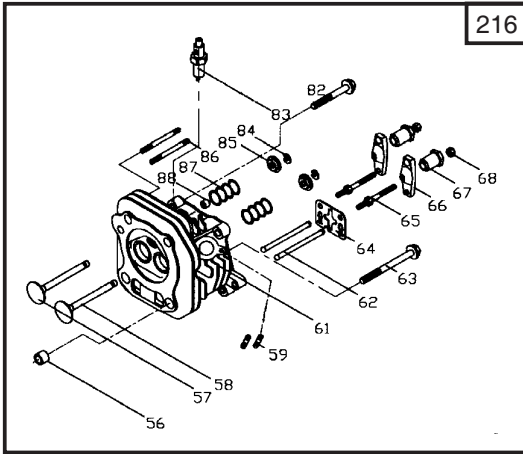
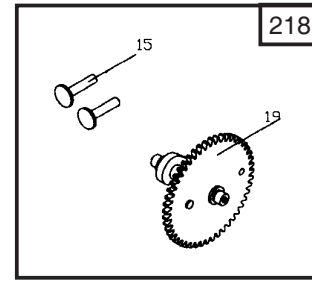
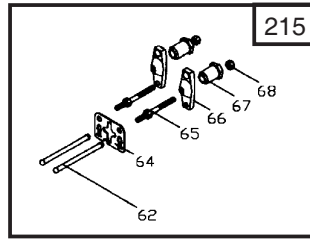
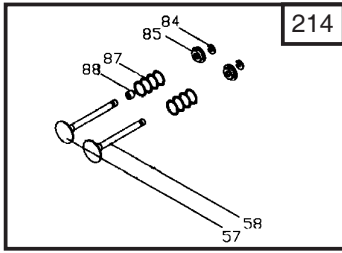


Ausgabe Issue 2007-31		Bild Nr Picture No C120		GGP- MOTOR		GGP- ENGINE		Seite Page 42	
Pos. Fig.	Anzahl/Quantity				Artikel Nr. Part No	Bezeichnung	Description	Satz Kit	Anmerkung Notes
X	1	1			1811-2501-01	Startgriff .....	Starter handle .....		
X	2	1			1811-2502-01	Startschnur .....	Starter rope .....		
X	5	1			1811-2503-01	Schwungradmutter .....	Flywheel nut .....		
X	6	1			1811-2504-01	Scheibe .....	Washer .....		
	9	4			9959-0612-16	Schraube .....	Screw .....		
X	16	2			1811-2505-01	Kugellager .....	Ball bearing .....		
X	17	1			1811-2506-01	Keil .....	Key .....		
X	18	1			1811-2507-01	Kurbelwelle .....	Crankshaft .....		
X	29	6			1811-2508-01	Schraube .....	Screw .....		
	34	1			9959-0612-16	Schraube .....	Screw .....		
X	63	2			1811-2509-01	Schraube .....	Screw .....		
	74	4			9959-0616-16	Schraube .....	Screw .....		
	75	1			9959-0612-16	Schraube .....	Screw .....		
	81	2			9739-0631-22	Mutter .....	Nut .....		
X	82	2			1811-2510-01	Schraube .....	Screw .....		
X	83	1			1811-2511-01	Zündkerzen .....	Spark plug .....		
	91	1			9948-0525-16	Schraube .....	Screw .....		
	93	1			9739-0631-22	Mutter .....	Nut .....		
	99	4			9959-0816-16	Schraube .....	Screw .....		
	102	1			9710-0631-12	Mutter .....	Square nut .....		
	107	1			9948-0630-16	Schraube .....	Screw .....		
X	111	1			1811-2512-01	Benzinhahn .....	Fuel cock .....		
	116	2			9959-0612-16	Schraube .....	Screw .....		
	117	2			9959-0620-16	Schraube .....	Screw .....		
	118	4			9959-0612-16	Schraube .....	Screw .....		
X	120	1			1811-2513-01	Benzinfilter .....	Fuel filter .....		
X	121	1			1811-2514-01	Tankdeckel .....	Fuel tank cap .....		
X	127	1			1811-2515-01	Seilrolle .....	Drum sheave .....		
X	128	1			1811-2516-01	Startfeder .....	Starter spring .....		
X	200	1			1811-2496-01	Motor kpl .....	Engine assy .....		





Ausgabe Issue 2007-31		Bild Nr Picture No C121		GGP- MOTOR ERSATZTEILSÄTZEN		GGP- ENGINE SPARE PARTS KITS		Seite Page 44	
Pos. Fig.	Anzahl/Quantity				Artikel Nr. Part No	Bezeichnung	Description	Satz Kit	Anmerkung Notes
X	200	1			1811-2517-01	Start kpl.....	Starter kit .....		
X	201	1			1811-2518-01	Startsperre kpl.....	Starter pawl kit.....		
X	202	1			1811-2519-01	Schalldämpfer kpl.....	Muffler kit .....		
X	203	1			1811-2520-01	Vergaser kpl .....	Carburettor kit.....		
X	204	1			1811-2521-01	Regulierung kpl .....	Governor kit .....		
X	205	1			1811-2522-01	Gasregulierung kpl .....	Throttle lever kit.....		
X	206	1			1811-2523-01	Benzintank kpl .....	Fuel tank kit.....		
X	207	1			1811-2524-01	Tankhalter kpl .....	Fuel tank support kit .....		
X	208	1			1811-2525-01	Zündsystem kpl .....	Ignition system kit .....		
X	212	1			1811-2529-01	Ventilatorgehäuse kpl .....	Fan case kit .....		
X	213	1			1811-2530-01	Schwungrad kpl.....	Flywheel kit .....		





Ausgabe Issue 2007-31		Bild Nr Picture No C122		GGP- MOTOR ERSATZTEILSÄTZEN		GGP- ENGINE SPARE PARTS KITS		Seite Page 46	
Pos. Fig.	Anzahl/Quantity				Artikel Nr. Part No	Bezeichnung	Description	Satz Kit	Anmerkung Notes
X	209	1			1811-2526-01	Schalter/Ölwarnung .....	Switch/oil warning .....		
X	210	1			1811-2527-01	Dichtungssatz .....	Gasket/seal kit .....		
X	211	1			1811-2528-01	Öleinlaß/Ablaß kpl .....	Oil fill/drain kit .....		
X	214	1			1811-2531-01	Ventilsatz .....	Valve kit .....		
X	215	1			1811-2532-01	Ventiljustierung kpl .....	Valve adjust kit .....		
X	216	1			1811-2533-01	Zylinderkopf kpl .....	Cylinder head kit .....		
X	217	1			1811-2534-01	Ventilation/Deckel .....	Breather/valve cover .....		
X	218	1			1811-2535-01	Nockenwelle kpl .....	Camshaft kit .....		
X	219	1			1811-2536-01	Deckel- Kurbelgehäuse .....	Crankcase cover kit .....		
X	220	1			1811-2537-01	Ölstandmesser kpl .....	Oil level gauge kit .....		
X	221	1			1811-2538-01	Drehzahlregulierer .....	Governor gear kit .....		
X	222	1			1811-2539-01	Kolben m.Pleuel kpl .....	Piston & conn.rod kit .....		