



*Green Passion*

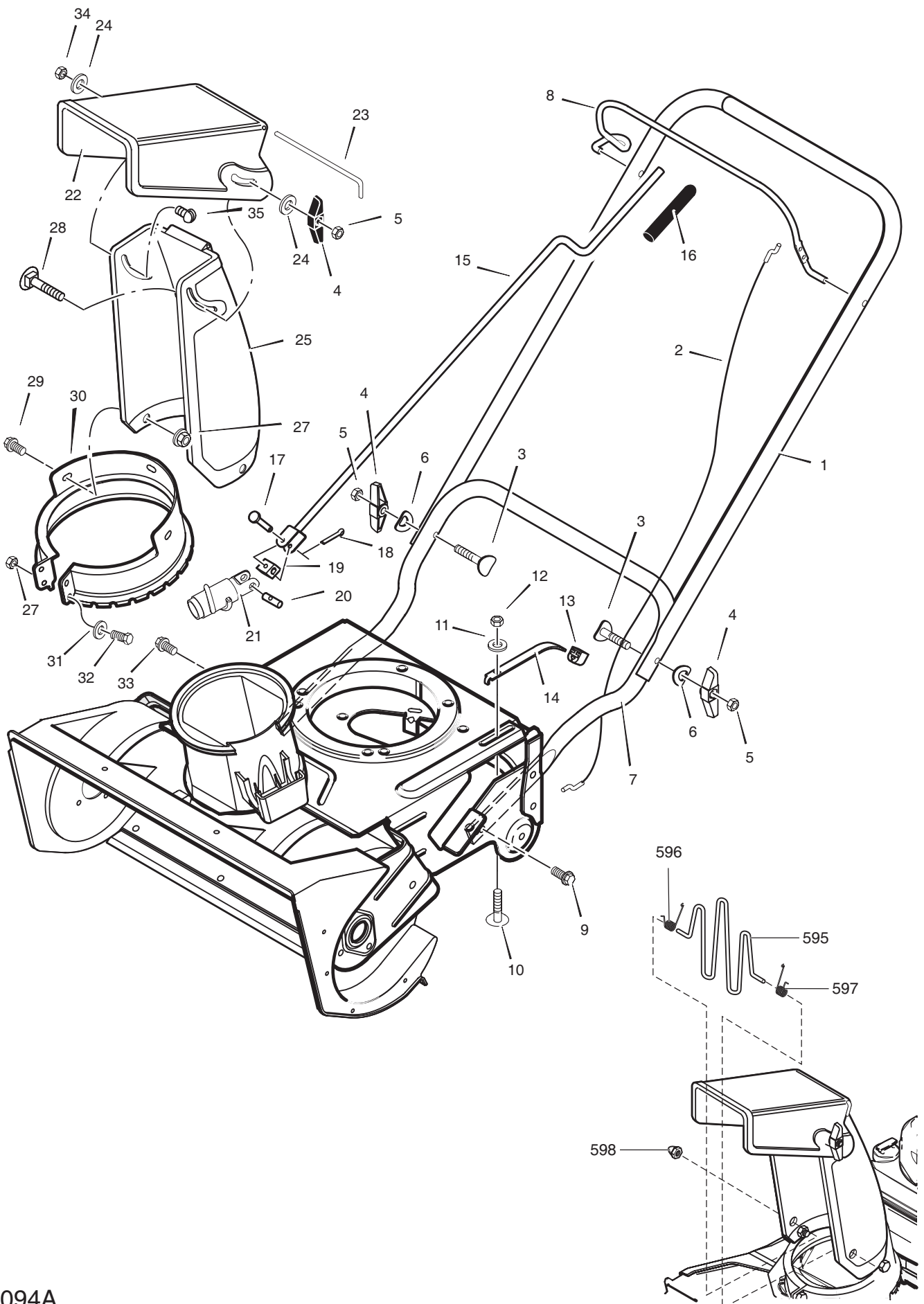
# Illustrated Parts List

**SN 421**  
**Model Year 2009**

- Use GLOBAL GARDEN PRODUCT Genuine Spare Parts specified in the parts list for repair and/or replacement.
- The contents described in the parts list may change due to improvement.
- The drawings of the spare parts are only indicative and might not represent the part in question exactly.
- The indications "right" - "left" - "front" - "rear" refer to the position of the operator when using the machine.
- When placing orders of parts for repair and/or replacement, make sure that the illustrated parts list is the one applying to the machine's year of manufacture, as shown on the identification plate attached to the machine.

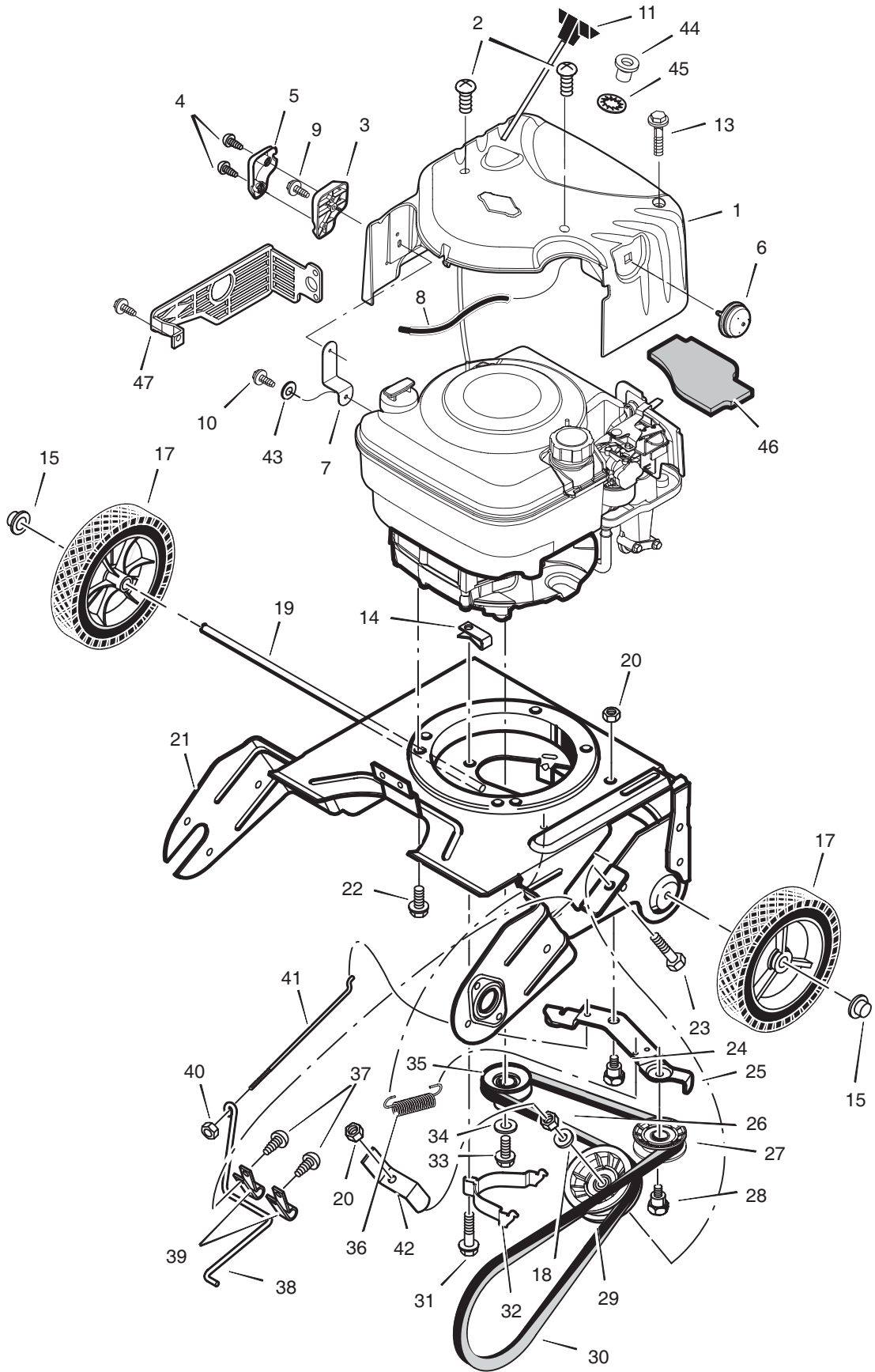
COPYRIGHT by GLOBAL GARDEN PRODUCTS

All rights reserved. No part of this material may be reproduced or transmitted, in any form or by any means, electronic or mechanical, including photocopying, recording or by any information storage and retrieval system, without permission in writing from GLOBAL GARDEN PRODUCTS.

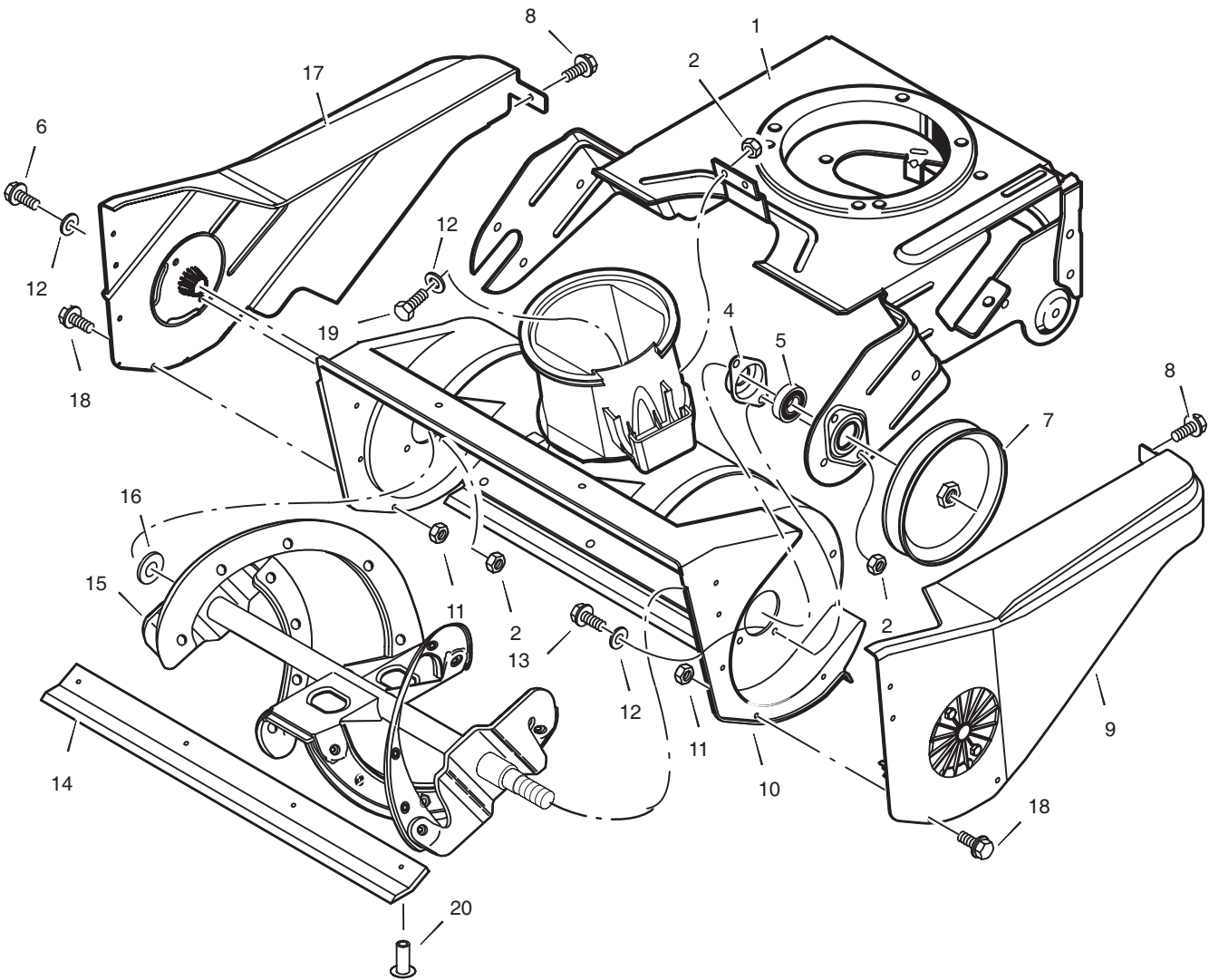


C094A

Ausgabe Issue 2008- 24		Bild Nr Picture No C094A		SN 421 MN 421 HOLM- AUSWURF		SN 421 MN 421 HANDLE- CHUTE		Seite Page 2	
Pos. Fig.	Anzahl/Quantity				Artikel Nr. Part No	Bezeichnung	Description	Satz Kit	Anmerkung Notes
	2816 -89	2818 -79							
1	1				1812-2023-01	Holm- Oberteil .....	Handle- upper.....		
2	1				1812-2029-01	Regulierdraht.....	Control cable- auger .....		
3	2				1133-1017-01	Schraube .....	Bolt .....		
4	3				1133-0932-01	Schließrad .....	T- knob.....		
5	3				9795-3631-02	Mutter .....	Nut .....		
6	2				1133-0933-01	Scheibe.....	Formed washer .....		
7	1				1812-2021-01	Holm- Unterteil .....	Handle- lower .....		
8	1				1812-2022-01	Regulierbügel .....	Auger drive lever .....		
9	4				1812-1833-01	Schraube .....	Screw.....		
10	1				9899-3516-16	Schraube .....	Screw.....		
11	1				9699-0056-02	Scheibe.....	Flat washer.....		
12	1				9743-3521-32	Mutter .....	Nut .....		
13	1				1812-2034-01	Buchse.....	Tensioner bushing.....		
14	1				1812-2035-01	Halter.....	Tensioner bracket.....		
15	1				1812-2040-01	Einstellkurbel .....	Crank rod .....		
16	1				1812-2039-01	Griff .....	Grip .....		
17	1				1812-1318-01	Bolzen.....	Clevis pin .....		
18	1				9599-0033-00	Splint .....	Split pin.....		
19	1				1812-1317-01	Gelenk .....	Universal pivot block.....		
20	1				1812-1316-01	Achse.....	Universal pin .....		
21	1				1812-1335-01	Schneckenschraube.....	Chute rotate worm .....		
22	1				1812-2015-01	Auswurfschirm .....	Deflector .....		
23	1				1812-2013-01	Gelenkachse .....	Pivot pin.....		
24	2				9699-0029-02	Scheibe .....	Flat washer.....		
25	1				1812-2016-01	Auswurfrohr .....	Discharge chute .....		
27	4				1812-1758-01	Mutter.....	Nut .....		
28	1				9899-3632-12	Schraube .....	Screw.....		
29	2				9899-3516-16	Schraube .....	Screw.....		
30	1				1812-2048-01	Auswurfring.....	Chute ring .....		
31	2				9699-0028-02	Scheibe.....	Flat washer.....		
32	2				9988-3519-16	Schraube .....	Screw.....		
33	1				1812-1833-01	Schraube .....	Screw.....		
34	1				1812-0811-01	Gegenmutter.....	Locking nut.....		
35	1				1133-1023-01	Schraube .....	Screw.....		
595	1				1133-0970-01	Auswurfschutz.....	Wire chute guide.....		
596	1				1133-0944-01	Feder .....	Torsion chute spring .....		
597	1				1133-0945-01	Feder .....	Torsion chute spring .....		
598	2				1133-0937-01	Schließmutter .....	Acorn nut .....		



Ausgabe Issue 2008-24		Bild Nr Picture No C095A		SN 421 MN 421 TRANSMISSION		SN 421 MN 421 TRANSMISSION		Seite Page 4	
Pos. Fig.	Anzahl/Quantity				Artikel Nr. Part No	Bezeichnung	Description	Satz Kit	Anmerkung Notes
	2816 -89	2818 -79							
1	1				1812-2044-01	Deckel- Obere .....	Top cover .....		
2	2				1812-2010-01	Schraube .....	Screw .....		
3	1				1812-2046-01	Halter .....	Chute rod base .....		
4	2				1812-2009-01	Schraube .....	Screw .....		
5	1				1812-2047-01	Deckel .....	Chute rod cover .....		
6	1				1812-2295-01	Starthilfe .....	Primer bulb .....		
7	1				1812-2045-01	Halter .....	Chute bracket .....		
8	1				1812-2296-01	Schlauch .....	Primer hose .....		
9	1				1812-2042-01	Schraube .....	Screw .....		
10	1				1812-2017-01	Schraube .....	Screw .....		
11	1				1812-1995-01	Griff .....	Grip .....		
13	1				1812-2006-01	Bolzen .....	Bolt .....		
14	1				1133-1026-01	Mutter .....	Speed nut .....		
15	2				1812-2019-01	Schließring .....	Push cap nut .....		
17	2				1812-1455-01	Rad .....	Wheel .....		
18	1				9699-0035-02	Scheibe .....	Flat washer .....		
19	1				1812-2033-01	Radachse .....	Wheel axle .....		
20	2				9795-3731-02	Mutter .....	Nut .....		
21	1				1812-2054-02	Chassie- rot .....	Motor box frame- red .....		
22	4				9988-3725-16	Schraube .....	Screw .....		
23	1				9988-3751-12	Schraube .....	Screw .....		
24	1				1812-2285-01	Schulter-schraube .....	Shoulder bolt .....		
25	1				1812-2024-01	Spannarm .....	Idler arm .....		
26	1				9795-3731-02	Mutter .....	Nut .....		
27	1				1812-2027-01	Spannrolle .....	Tension roller .....		
28	1				1812-2028-01	Schulterbolzen .....	Shoulder bolt .....		
29	1				1812-2026-01	Spannrolle .....	Flat tension roller .....		
30	1				1812-2012-01	Keilriemen .....	Belt .....		
31	1				1812-2014-01	Schraube .....	Screw .....		
32	1				1812-2030-01	Riemenführung .....	Belt guide .....		
33	1				9987-5125-16	Schraube .....	Screw .....		
34	1				9683-0030-02	Scheibe .....	Lock washer .....		
35	1				1812-2025-01	Motorriemenscheibe .....	Engine pulley .....		
36	1				1812-2007-01	Feder .....	Spring .....		
37	2				1812-1768-01	Schraube .....	Screw .....		
38	1				1812-2038-01	Bremsarm .....	Brake arm .....		
39	2				1812-2036-01	Klemme .....	Clamp .....		
40	1				1812-0630-01	Mutter .....	Nut .....		
41	1				1812-2037-01	Einstellstange .....	Adjustment rod .....		
42	1				1812-2041-01	Riemenführung .....	Belt guide .....		
43	1				1812-2008-01	Schloßscheibe .....	Lock washer .....		
44	1				1812-2050-01	Seilhülse .....	Rope guide .....		
45	1				1812-2011-01	Scheibe .....	Washer .....		
46	1				1812-2051-01	Dichtung .....	Foam seal .....		
47	1				1812-2056-01	Schalldämpferschutz .....	Muffler guard .....		



C096B

Ausgabe Issue 2008-24		Bild Nr Picture No C096B		SN 421 MN 421 SCHNEESCHRAUBE		SN 421 MN 421 AUGER		Seite Page 6	
Pos. Fig.	Anzahl/Quantity				Artikel Nr. Part No	Bezeichnung	Description	Satz Kit	Anmerkung Notes
	2816 -89	2818 -79							
1	1				1812-2054-02	Chassie- rot .....	Motor box frame- red .....		
2	5				1812-1758-01	Mutter .....	Nut .....		
4	2				1812-1925-01	Lagerhalter .....	Bearing retainer .....		
5	2				1812-1383-01	Kugellager .....	Ball bearing .....		
6	1				9988-3519-16	Schraube .....	Screw .....		
7	1				1812-1400-01	Riemenscheibe .....	Pulley .....		
8	2				1812-1768-01	Schraube .....	Screw .....		
9	1				1812-2031-01	Riemenschutz- links .....	Belt cover- LH .....		
10	1				1812-2052-01	Schneescharubegehäuse .....	Auger housing .....		
11	8				1812-0630-01	Mutter .....	Nut .....		
12	4				9699-0028-02	Scheibe .....	Flat washer .....		
13	4				9988-3516-16	Schraube .....	Screw .....		
14	1				1812-1481-01	Abstreifer .....	Scraper blade .....		
15	1				1812-1488-01	Schneescharube Kpl .....	Auger assy .....		
16	1				1812-1238-01	Scheibe .....	Washer .....		
17	1				1812-2032-01	Schutz- rechts .....	Cover- RH .....		
18	8				1812-0959-01	Bolzen .....	Bolt .....		
19	1				9988-3519-16	Schraube .....	Screw .....		
20	4				1133-1022-01	Niet .....	Rivet .....		