



*Green Passion*

# Illustrated Parts List

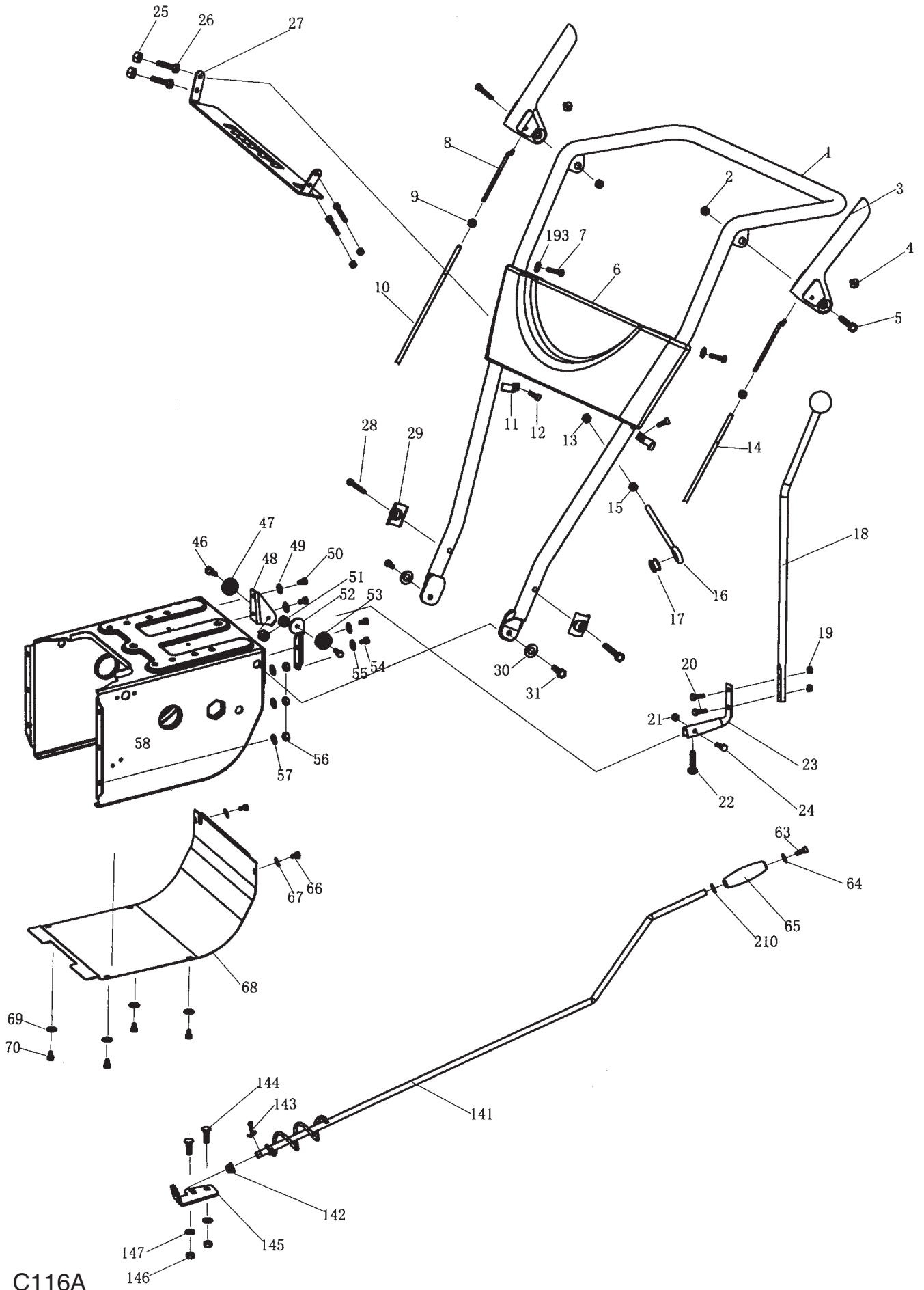
**SN 622**

**Model Year 2008**

- Use GLOBAL GARDEN PRODUCT Genuine Spare Parts specified in the parts list for repair and/or replacement.
- The contents described in the parts list may change due to improvement.
- The drawings of the spare parts are only indicative and might not represent the part in question exactly.
- The indications "right" - "left" - "front" - "rear" refer to the position of the operator when using the machine.
- When placing orders of parts for repair and/or replacement, make sure that the illustrated parts list is the one applying to the machine's year of manufacture, as shown on the identification plate attached to the machine.

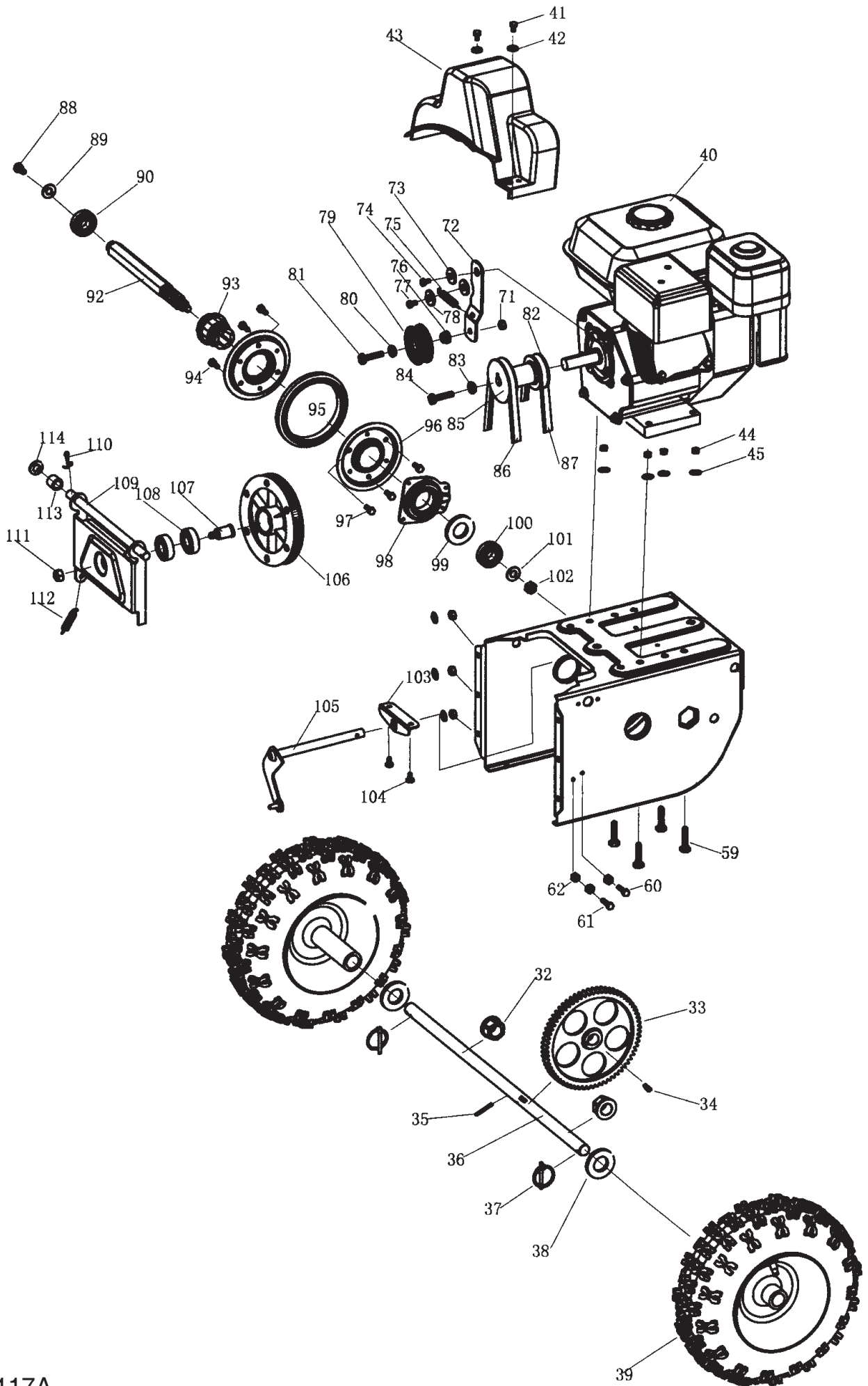
COPYRIGHT by GLOBAL GARDEN PRODUCTS

All rights reserved. No part of this material may be reproduced or transmitted, in any form or by any means, electronic or mechanical, including photocopying, recording or by any information storage and retrieval system, without permission in writing from GLOBAL GARDEN PRODUCTS.



C116A

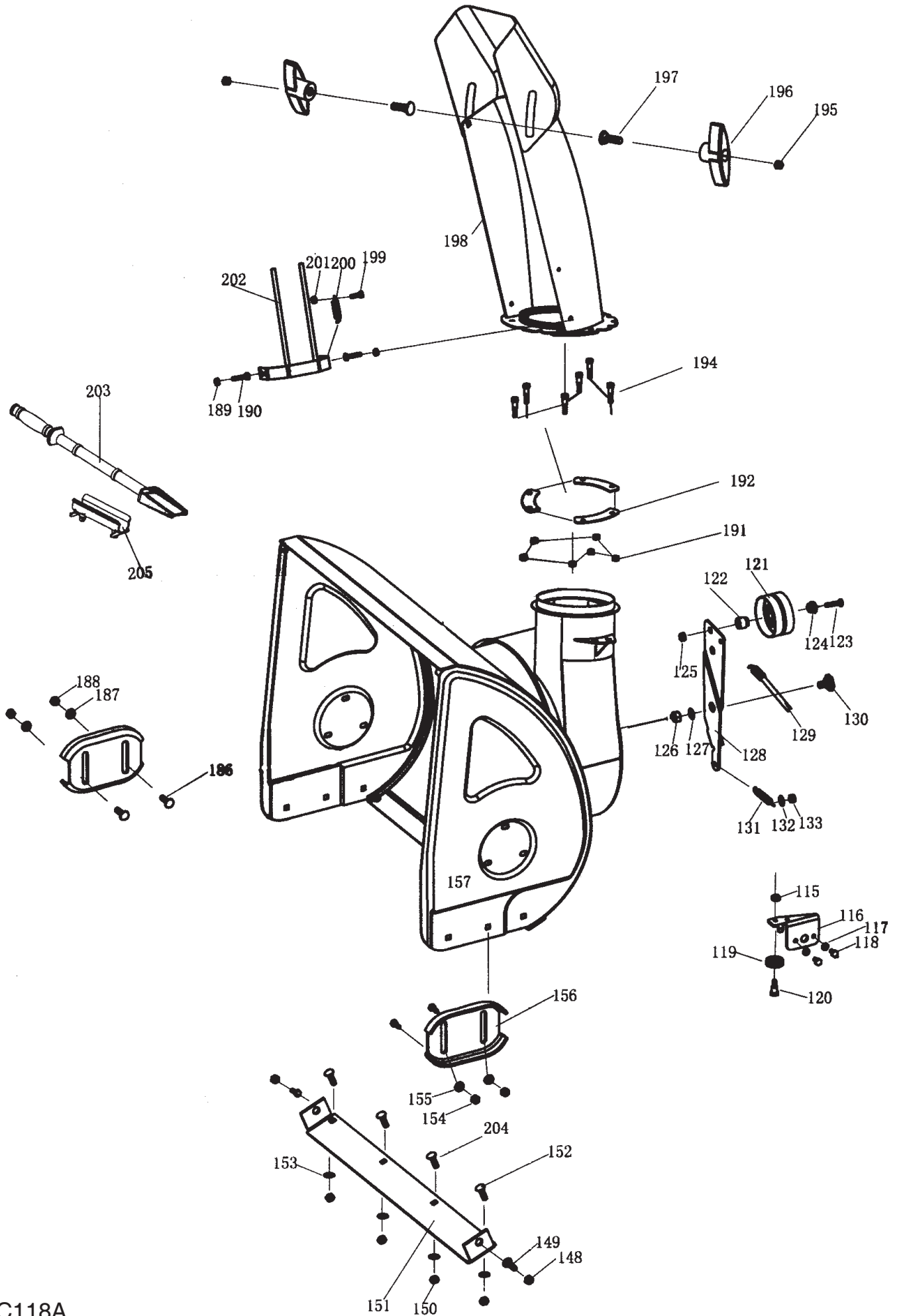
Ausgabe Issue 2007- 24		Bild Nr Picture No C116A		SN 622 MN 622 HN 622 HOLM		SN 622 MN 622 HN 622 HANDLE		Seite Page 14	
Pos. Fig.	Anzahl/Quantity				Artikel Nr. Part No	Bezeichnung	Description	Satz Kit	Anmerkung Notes
	2810 -48 -78 -88								
X 1	1				1811-2558-01	Holm.....	Handle.....		
2	2				9747-0831-02	Mutter.....	Lock nut.....		
3	2				1811-2492-01	Kupplungsgriff.....	Clutch handle.....		
4	2				1811-2472-01	Gummipropfen.....	Rubber cap.....		
5	2				9997-0845-12	Schraube.....	Screw.....		
6	1				1811-2495-02	Panel- rot.....	Panel- red.....		
7	2				1811-2400-01	Schraube.....	Screw.....		
8	2				1811-2458-01	Justierstange.....	Adjustment rod.....		
9	2				9799-0531-02	Mutter.....	Nut.....		
10	1				1811-2456-01	Regulierkabel.....	Control cable.....		
11	2				1811-2494-01	Klemme.....	Clamp.....		
12	2				1811-2401-01	Schraube.....	Screw.....		
13	1				9747-0831-02	Mutter.....	Lock nut.....		
14	1				1811-2459-01	Regulierdraht.....	Control cable.....		
15	1				9787-0831-32	Mutter.....	Nut.....		
16	1				1811-2468-01	Augenbolzen.....	Eye bolt.....		
17	1				1811-2469-01	Gummihülse.....	Rubber sleeve.....		
18	1				1811-2481-01	Shalthebel.....	Gear lever.....		
19	2				9739-0631-22	Mutter.....	Nut.....		
20	2				9997-0620-16	Schraube.....	Screw.....		
21	1				9739-0631-22	Mutter.....	Nut.....		
22	1				9997-0620-16	Schraube.....	Screw.....		
23	1				1811-2482-01	Schaltarm.....	Gear rod.....		
24	1				9997-0625-16	Schraube.....	Screw.....		
25	4				9747-0631-02	Mutter.....	Lock nut.....		
26	4				9997-0635-12	Schraube.....	Screw.....		
27	1				1811-2491-02	Schaltblech- rot.....	Gear select plate- red.....		
28	2				9997-0840-16	Schraube.....	Screw.....		
29	2				1811-2453-01	Holmscheibe.....	Handle washer.....		
30	2				9699-0062-02	Scheibe.....	Flat washer.....		
31	2				9997-0820-16	Schraube.....	Screw.....		
46	2				1811-2476-01	Bolzen.....	Shoulder bolt.....		
47	2				1811-2440-01	Seilrolle.....	Wire pulley.....		
48	1				1811-2439-02	Halterung- rot.....	Bracket- red.....		
49	2				9699-0025-02	Scheibe.....	Washer.....		
50	2				9997-0612-16	Schraube.....	Screw.....		
51	2				9739-0631-22	Mutter.....	Nut.....		
52	1				1811-2437-02	Halterung- rot.....	Bracket- red.....		
53	2				1811-2440-01	Seilrolle.....	Wire pulley.....		
54	2				9997-0612-16	Schraube.....	Screw.....		
55	2				9699-0025-02	Scheibe.....	Washer.....		
56	6				9747-0831-02	Mutter.....	Lock nut.....		
57	6				9699-0028-02	Scheibe.....	Flat washer.....		
58	1				1811-2487-02	Chassis- rot.....	Chassis- red.....		
63	1				9997-0610-16	Schraube.....	Screw.....		
64	1				9699-0025-02	Scheibe.....	Washer.....		
65	1				1811-2442-01	Griff.....	Grip.....		
66	2				9997-0610-16	Schraube.....	Screw.....		
67	2				9699-0025-02	Scheibe.....	Washer.....		
68	1				1811-2486-02	Bundblech- rot.....	Bottom plate- red.....		
69	4				9699-0025-02	Scheibe.....	Washer.....		
70	4				9997-0610-16	Schraube.....	Screw.....		
141	1				1811-2467-01	Einstellkurbel.....	Crank.....		
142	1				1811-2431-01	Buchse.....	Bushing.....		
143	1				9599-0054-02	Splint.....	Cotter pin.....		
144	2				9898-0820-16	Schraube.....	Screw.....		
145	1				1811-2430-02	Halterung- rot.....	Bracket- red.....		
146	2				9747-0831-02	Mutter.....	Lock nut.....		
147	2				9699-0056-02	Scheibe.....	Flat washer.....		
193	2				9699-0072-02	Scheibe.....	Washer.....		
210	1				9699-0029-02	Scheibe.....	Flat washer.....		



C117A

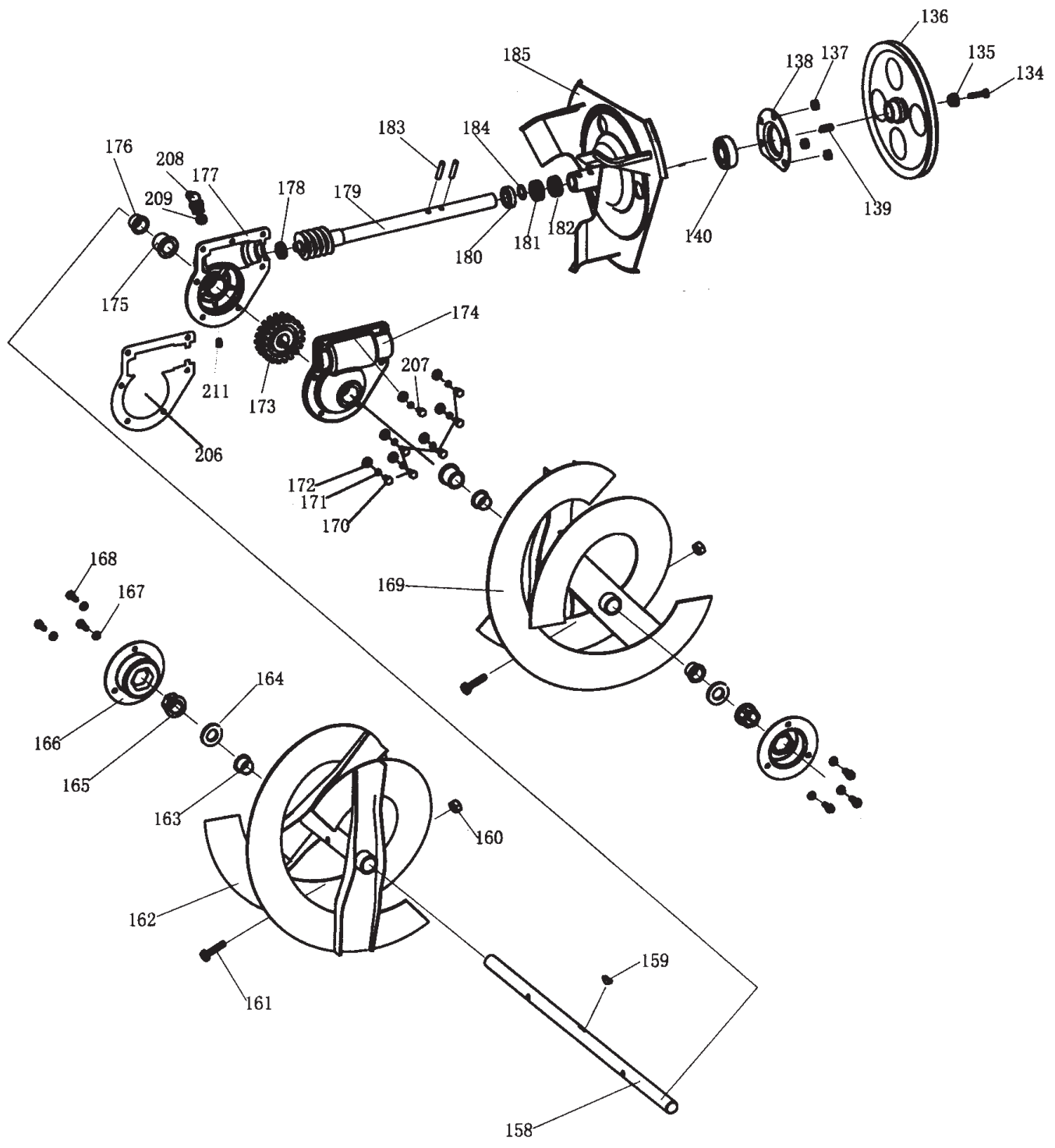
Ausgabe Issue 2007-24		Bild Nr Picture No C117A		SN 622 MN 622 HN 622 TRANSMISSION		SN 622 MN 622 HN 622 TRANSMISSION		Seite Page 16	
Pos. Fig.	Anzahl/Quantity				Artikel Nr. Part No	Bezeichnung	Description	Satz Kit	Anmerkung Notes
	2810 -48 -78 -88								
	32	2			1811-2452-01	Radachsbuchse .....	Wheel shaft bushing .....		
	33	1			1811-2421-01	Ritzel .....	Gear .....		
	34	2			1811-2406-01	Keil .....	Key .....		
	35	1			9595-0212-00	Spannstift .....	Locating pin .....		
	36	1			1811-2441-01	Radachse .....	Wheel shaft .....		
	37	2			1811-2478-01	Federschloß .....	Spring pin .....		
	38	2			1811-2407-01	Planscheibe .....	Flat washer .....		
	39	2			1811-2408-01	Rad kpl .....	Wheel assy .....		
	40	1			1811-2496-01	Motor kpl .....	Engine assy .....		
	41	2			9997-0610-16	Schraube .....	Screw .....		
	42	2			9699-0025-02	Scheibe .....	Washer .....		
	43	1			1811-2455-01	Riemenschutz .....	Belt cover .....		
	44	4			9747-0831-02	Mutter .....	Lock nut .....		
	45	4			9699-0028-02	Scheibe .....	Flat washer .....		
	59	4			9997-0835-12	Schraube .....	Screw .....		
	60	1			9997-0630-12	Schraube .....	Screw .....		
	61	1			9997-0620-16	Schraube .....	Screw .....		
	62	3			9739-0631-22	Mutter .....	Nut .....		
	71	1			9747-0831-02	Mutter .....	Lock nut .....		
	72	1			1811-2470-01	Spannarm .....	Tension arm .....		
X	73	1			1811-2559-01	Scheibe .....	Tension washer .....		
	74	1			9997-0820-16	Schraube .....	Screw .....		
X	75	1			1811-2555-01	Feder .....	Spring .....		
X	76	1			1811-2575-01	Scheibe .....	Washer .....		
	77	1			9997-0812-16	Schraube .....	Screw .....		
	78	2			9699-0028-02	Scheibe .....	Flat washer .....		
X	79	1			1811-2574-01	Spannrolle kpl .....	Tension pulley .....		
	80	1			1811-2427-01	Scheibe .....	Washer .....		
	81	1			9997-0830-16	Schraube .....	Screw .....		
	82	1			1811-2473-01	Riemenscheibe .....	Belt pulley .....		
X	83	1			1811-2542-01	Planscheibe .....	Plain cushion .....		
	84	1			9997-0825-16	Schraube .....	Screw .....		
	85	1			1811-2474-01	Riemenscheibe .....	Belt pulley .....		
	86	1			1811-2409-01	Riemen .....	Belt .....		
	87	1			1811-2410-01	Riemen .....	Belt .....		
	88	1			9997-0816-16	Schraube .....	Screw .....		
	89	3			9699-0122-02	Scheibe .....	Washer .....		
	90	1			1811-2411-01	Lager .....	Bearing .....		
	92	1			1811-2423-01	Sechskantachse .....	Hex shaft .....		
	93	1			1811-2435-01	Nabe .....	Hub .....		
	94	3			9997-0612-16	Schraube .....	Screw .....		
	95	1			1811-2436-01	Frikionsring .....	Friction ring .....		
	96	2			1811-2433-01	Frikionsrad .....	Friction wheel .....		
	97	3			9997-0612-16	Schraube .....	Screw .....		
	98	1			1811-2434-01	Shaltnabe .....	Gear selector hub .....		
	99	1			1811-2412-01	Schließring .....	Lock ring .....		
	100	1			1811-2413-01	Lager .....	Bearing .....		
	101	1			9699-0035-02	Scheibe .....	Flat washer .....		
	102	1			9747-1031-02	Mutter .....	Lock nut .....		
	103	1			1811-2420-01	Halterung .....	Bracket .....		
	104	2			9997-0610-16	Schraube .....	Screw .....		
	105	1			1811-2465-01	Schaltachse .....	Gear lever .....		
	106	1			1811-2428-01	Triebbrad .....	Drive pulley .....		
	107	1			1811-2429-01	Achse .....	Shaft .....		
	108	2			1811-2414-01	Lager .....	Bearing .....		
	109	1			1811-2424-01	Halte- Triebbrad .....	Bracket- drive pulley .....		
	110	1			9599-0054-02	Splint .....	Cotter pin .....		
	111	1			9747-1031-02	Mutter .....	Lock nut .....		
	112	1			1811-2483-01	Feder .....	Spring .....		
	113	1			1811-2489-01	Hülse .....	Collar .....		
	114	1			9699-0037-02	Scheibe .....	Washer .....		

4.10 - 6



C118A

Ausgabe Issue 2007- 24		Bild Nr Picture No C118A		SN 622 MN 622 HN 622 SCHNEEGEHÄUSE		SN 622 MN 622 HN 622 AUGER HOUSING		Seite Page 18	
Pos. Fig.	Anzahl/Quantity				Artikel Nr. Part No	Bezeichnung	Description	Satz Kit	Anmerkung Notes
	2810 -48 -78 -88								
115	1				9747-0631-02	Mutter .....	Lock nut .....		
116	1				1811-2438-02	Halter- rot .....	Bracket- red .....		
117	2				9699-0025-02	Scheibe.....	Washer.....		
118	2				9997-0610-16	Schraube .....	Screw.....		
119	1				1811-2440-01	Seilrolle .....	Wire pulley.....		
120	1				1811-2476-01	Bolzen.....	Shoulder bolt .....		
121	1				1811-2425-01	Spannrolle m.Lager .....	Tension roller w.bear .....		
122	1				1811-2426-01	Distanz.....	Spacer .....		
123	1				9997-0845-12	Schraube .....	Screw.....		
124	1				1811-2427-01	Scheibe.....	Washer.....		
125	1				9747-0831-02	Mutter.....	Lock nut.....		
126	1				9747-1031-02	Mutter .....	Lock nut.....		
127	1				9699-0035-02	Scheibe.....	Flat washer.....		
128	1				1811-2448-01	Spannarm .....	Tension arm .....		
129	1				1811-2457-01	Feder .....	Spring .....		
130	1				1811-2475-01	Schraube .....	Screw.....		
131	1				1811-2462-01	Feder .....	Spring .....		
132	1				9699-0028-02	Scheibe.....	Flat washer.....		
133	1				9747-0831-02	Mutter.....	Lock nut.....		
148	2				9747-0831-02	Mutter.....	Lock nut.....		
149	2				9898-0820-16	Schraube .....	Screw.....		
150	4				9747-0831-02	Mutter.....	Lock nut.....		
X 151	1				1811-2548-01	Abstreifer.....	Shave plate .....		
152	4				9898-0820-16	Schraube .....	Screw.....		
153	4				9699-0056-02	Scheibe.....	Flat washer.....		
154	2				9747-0831-02	Mutter.....	Lock nut.....		
155	2				9699-0056-02	Scheibe.....	Flat washer.....		
X 156	2				1811-2568-01	Schleppschuh .....	Skid shoe .....		
157	1				1811-2488-02	Gehäuse- rot.....	Auger housing- red .....		
186	2				9898-0820-16	Schraube .....	Screw.....		
187	2				9699-0056-02	Scheibe.....	Flat washer.....		
188	2				9747-0831-02	Mutter.....	Lock nut.....		
189	2				9747-0631-02	Mutter .....	Lock nut.....		
190	2				9997-0616-16	Schraube .....	Screw.....		
191	6				9747-0631-02	Mutter .....	Lock nut.....		
192	3				1811-2445-01	Scheibe.....	Chute washer .....		
X 194	6				1811-2551-01	Schraube .....	Screw.....		
195	2				9747-0831-02	Mutter.....	Lock nut.....		
196	2				1811-2498-01	Schloßrad .....	Locking knob .....		
197	2				9898-0825-16	Schraube .....	Screw.....		
198	1				1811-2499-01	Auswurfrohr .....	Chute .....		
199	1				9997-0620-16	Schraube .....	Screw.....		
200	1				1811-2461-01	Feder .....	Spring .....		
201	1				9747-0631-02	Mutter .....	Lock nut.....		
202	1				1811-2432-01	Auswurfschutz.....	Chute guard .....		
203	1				1811-2500-01	Werkzeug.....	Cleaner stick .....		
204	2				9898-0820-16	Schraube .....	Screw.....		
X 205	1				1811-2572-01	Halter.....	Cleaner stick bracket.....		



C119A



Ausgabe Issue 2007-24		Bild Nr Picture No C119A		SN 622 MN 622 HN 622 SCHNEESCHRAUBE		SN 622 MN 622 HN 622 AUGER		Seite Page 20	
Pos. Fig.	Anzahl/Quantity				Artikel Nr. Part No	Bezeichnung	Description	Satz Kit	Anmerkung Notes
	2810 -48 -78 -88								
134	1				9997-0820-16	Schraube .....	Screw .....		
135	1				9699-0056-02	Scheibe .....	Flat washer .....		
136	1				1811-2464-01	Riemenscheibe .....	Belt pulley .....		
137	3				9747-0831-02	Mutter .....	Lock nut .....		
138	1				1811-2422-01	Lagerhalter .....	Bearing cover .....		
139	1				9600-0170-00	Keil .....	Flat key .....		
140	1				1811-2415-01	Lager .....	Bearing .....		
158	1				1811-2447-01	Schneeschaubenwelle .....	Auger shaft .....		
159	1				1811-2416-01	Keil .....	Key .....		
160	2				9747-0831-02	• Mutter .....	• Lock nut .....		
161	1				1811-9012-01	Sicherheitsbolzen .....	Shear bolt kit .....		Pos 160 incl.
162	1				1811-2480-01	Schneeschraube- L .....	Auger- LH .....		
163	1				1811-2443-01	Buchse .....	Shaft bushing .....		
164	2				1811-2418-01	Planscheibe .....	Flat washer .....		
165	2				1811-2444-01	Buchse .....	Shaft bushing .....		
166	2				1811-2449-01	Lagerhalter .....	Bearing cover .....		
167	6				9699-0028-02	Scheibe .....	Flat washer .....		
168	6				9997-0812-16	Schraube .....	Screw .....		
169	1				1811-2479-01	Schneeschraube- R .....	Auger- RH .....		
170	7				9997-0620-16	Schraube .....	Screw .....		
171	7				9683-0025-02	Scheibe .....	Lock washer .....		
172	7				9699-0025-02	Scheibe .....	Washer .....		
173	1				1811-2463-01	Ritzel .....	Worm wheel .....		
174	1				1811-2484-01	Getriebegehäuse- L .....	Gear housing- LH .....		
175	1				1811-2490-01	Buchse .....	Bushing .....		
176	3				1811-2443-01	Buchse .....	Shaft bushing .....		
177	1				1811-2485-01	Getriebegehäuse- R .....	Gear housing- RH .....		
178	1				1811-2402-01	Lager .....	Bearing .....		
179	1				1811-2454-01	Ventilatorwelle .....	Fan shaft .....		
180	1				1811-2403-01	Lager .....	Bearing .....		
181	1				1811-2404-01	Drucklager .....	Thrust bearing .....		
182	1				1811-2405-01	Dichtring .....	Seal ring .....		
183	2				9595-0258-00	Spannstift .....	Locating pin .....		
184	1				1811-2477-01	Scheibe .....	Washer .....		
185	1				1811-2419-01	Ventilator .....	Fan .....		
X 206	1				1811-2569-01	Dichtung .....	Gasket .....		
207	1				9997-0625-16	Schraube .....	Screw .....		
X 208	1				1811-2544-01	Schmiernippel .....	Grease filling joint .....		
X 209	1				1811-2545-01	Dichtung .....	Wave gasket .....		
211	1				9997-0510-16	Schraube .....	Screw .....		