



Green Passion

Illustrated Parts List

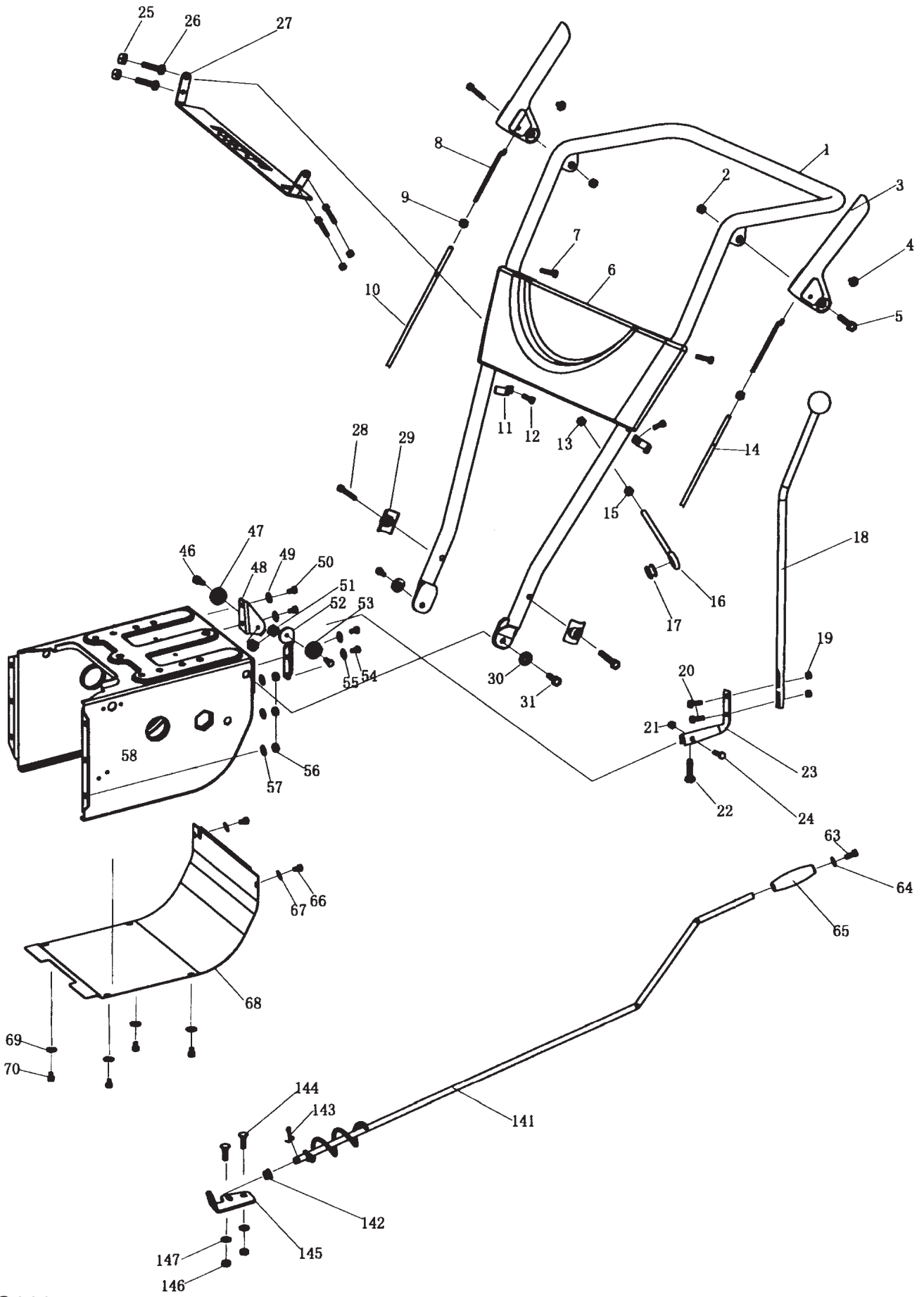
SN 622

Model Year 2007

- Use GLOBAL GARDEN PRODUCT Genuine Spare Parts specified in the parts list for repair and/or replacement.
- The contents described in the parts list may change due to improvement.
- The drawings of the spare parts are only indicative and might not represent the part in question exactly.
- The indications "right" - "left" - "front" - "rear" refer to the position of the operator when using the machine.
- When placing orders of parts for repair and/or replacement, make sure that the illustrated parts list is the one applying to the machine's year of manufacture, as shown on the identification plate attached to the machine.

COPYRIGHT by GLOBAL GARDEN PRODUCTS

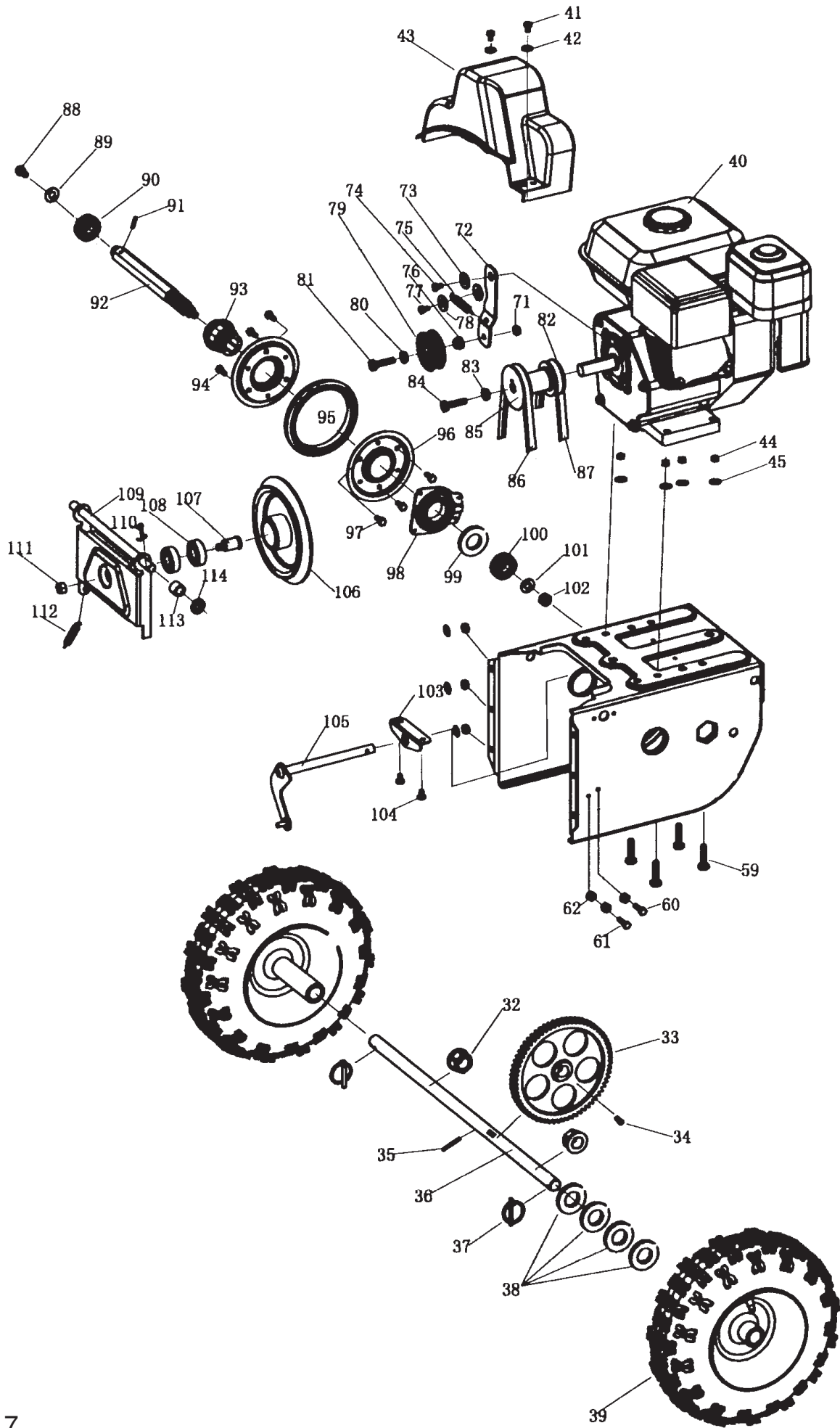
All rights reserved. No part of this material may be reproduced or transmitted, in any form or by any means, electronic or mechanical, including photocopying, recording or by any information storage and retrieval system, without permission in writing from GLOBAL GARDEN PRODUCTS.



C116

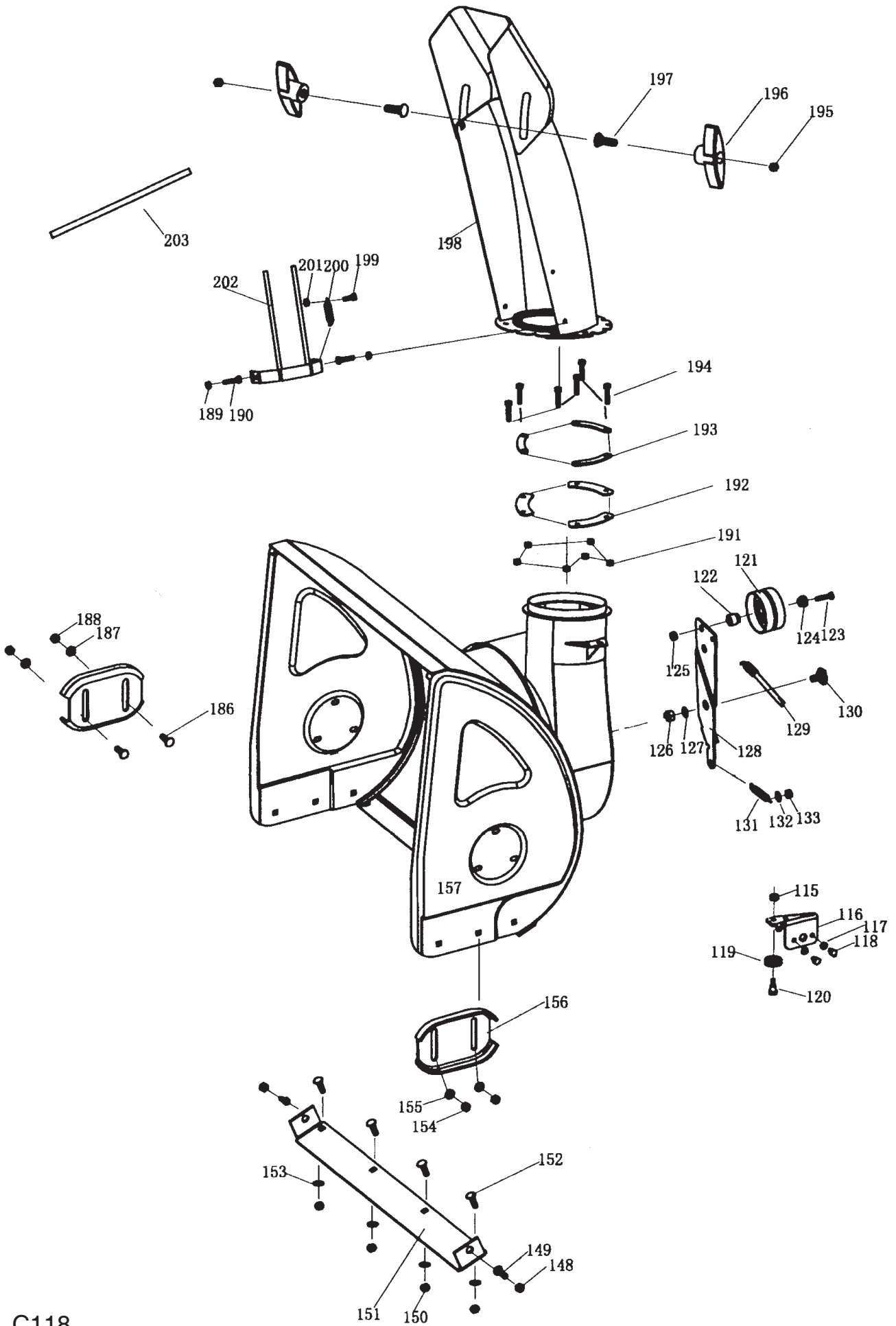


Ausgabe Issue 2007-31		Bild Nr Picture No C116		SN 622 SNOW 55 HOLM		SN 622 SNOW 55 HANDLE		Seite Page 14	
Pos. Fig.	Anzahl/Quantity				Artikel Nr. Part No	Bezeichnung	Description	Satz Kit	Anmerkung Notes
	2810 -87	2810 -97							
X	1	1	1		1811-2466-01	Holm.....	Handle.....		
	2	2	2		9747-0831-02	Mutter.....	Lock nut.....		
X	3	2	2		1811-2492-01	Kupplungsgriff.....	Clutch handle.....		
X	4	2	2		1811-2472-01	Gummipropfen.....	Rubber cap.....		
	5	2	2		9997-0840-16	Schraube.....	Screw.....		
X	6	1			1811-2495-02	Panel- rot.....	Panel- red.....		
X	7	2			1811-2400-01	Schraube.....	Screw.....		
X	8	2	2		1811-2458-01	Justierstange.....	Adjustment rod.....		
	9	2	2		9799-0531-02	Mutter.....	Nut.....		
X	10	1	1		1811-2456-01	Regulierkabel.....	Control cable.....		
X	11	2	2		1811-2494-01	Klemme.....	Clamp.....		
X	12	2	2		1811-2401-01	Schraube.....	Screw.....		
	13	1	1		9747-0831-02	Mutter.....	Lock nut.....		
X	14	1	1		1811-2459-01	Regulierkabel.....	Control cable.....		
	15	1	1		9787-0831-32	Mutter.....	Nut.....		
X	16	1	1		1811-2468-01	Augenbolzen.....	Eye bolt.....		
X	17	1	1		1811-2469-01	Gummihülse.....	Rubber sleeve.....		
X	18	1	1		1811-2481-01	Shalthebel.....	Gear lever.....		
	19	2	2		9739-0631-22	Mutter.....	Nut.....		
	20	2	2		9997-0620-16	Schraube.....	Screw.....		
	21	1	1		9739-0631-22	Mutter.....	Nut.....		
	22	1	1		9997-0620-16	Schraube.....	Screw.....		
X	23	1	1		1811-2482-01	Schaltarm.....	Gear rod.....		
	24	1	1		9997-0625-16	Schraube.....	Screw.....		
	25	4	4		9747-0631-02	Mutter.....	Lock nut.....		
	26	4	4		9997-0635-12	Schraube.....	Screw.....		
X	27	1	1		1811-2491-02	Schaltblech- rot.....	Gear select plate- red.....		
	28	2	2		9997-0840-16	Schraube.....	Screw.....		
X	29	2	2		1811-2453-01	Holmscheibe.....	Handle washer.....		
	30	2	2		9699-0062-02	Scheibe.....	Flat washer.....		
	31	2	2		9997-0820-16	Schraube.....	Screw.....		
X	46	2	2		1811-2476-01	Bolzen.....	Shoulder bolt.....		
X	47	2	2		1811-2440-01	Seilrolle.....	Wire pulley.....		
X	48	1	1		1811-2439-02	Halterung- rot.....	Bracket- red.....		
	49	2	2		9699-0025-02	Scheibe.....	Washer.....		
	50	2	2		9997-0610-16	Schraube.....	Screw.....		
	51	2	2		9739-0631-22	Mutter.....	Nut.....		
X	52	1	1		1811-2437-02	Halterung- rot.....	Bracket- red.....		
X	53	2	2		1811-2440-01	Seilrolle.....	Wire pulley.....		
	54	2	2		9997-0610-16	Schraube.....	Screw.....		
	55	2	2		9699-0025-02	Scheibe.....	Washer.....		
	56	6	6		9747-0831-02	Mutter.....	Lock nut.....		
	57	6	6		9699-0028-02	Scheibe.....	Flat washer.....		
X	58	1	1		1811-2487-02	Chassis- rot.....	Chassis- red.....		
	63	1	1		9997-0610-16	Schraube.....	Screw.....		
	64	1	1		9699-0060-02	Scheibe.....	Flat washer.....		
X	65	1	1		1811-2442-01	Griff.....	Grip.....		
	66	2	2		9997-0610-16	Schraube.....	Screw.....		
	67	2	2		9699-0025-02	Scheibe.....	Washer.....		
X	68	1	1		1811-2486-02	Bundblech- rot.....	Bottom plate- red.....		
	69	4	4		9699-0025-02	Scheibe.....	Washer.....		
	70	4	4		9997-0610-16	Schraube.....	Screw.....		
X	141	1	1		1811-2467-01	Einstellkurbel.....	Crank.....		
X	142	1	1		1811-2431-01	Buchse.....	Bushing.....		
	143	1	1		9599-0054-02	Splint.....	Cotter pin.....		
	144	2	2		9898-0820-16	Schraube.....	Screw.....		
X	145	1	1		1811-2430-02	Halterung- rot.....	Bracket- red.....		
	146	2	2		9747-0831-02	Mutter.....	Lock nut.....		
	147	2	2		9699-0062-02	Scheibe.....	Flat washer.....		



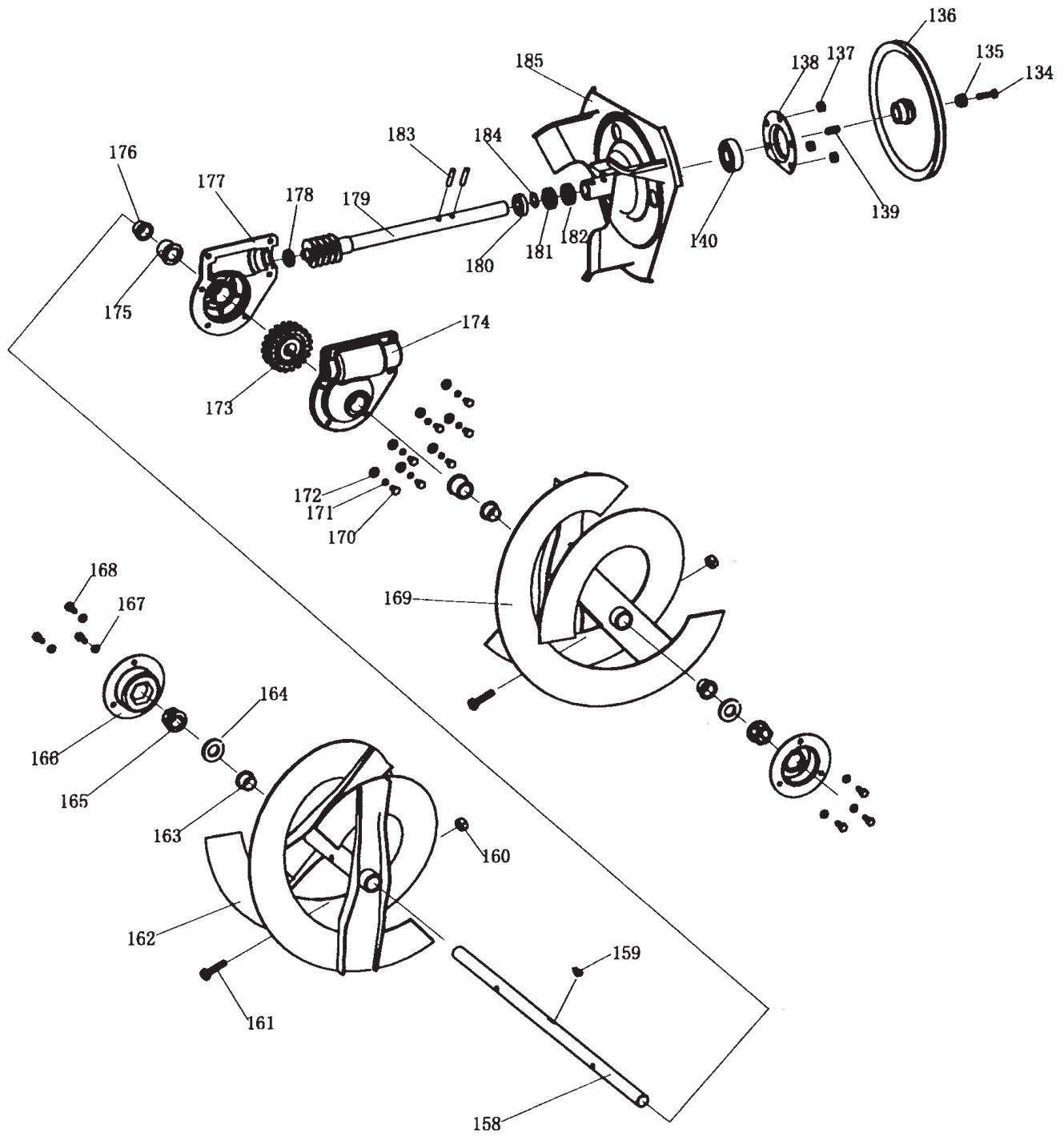


Ausgabe Issue 2007-31		Bild Nr Picture No C117		SN 622 SNOW 55 TRANSMISSION		SN 622 SNOW 55 TRANSMISSION		Seite Page 16	
Pos. Fig.	Anzahl/Quantity				Artikel Nr. Part No	Bezeichnung	Description	Satz Kit	Anmerkung Notes
	2810 -87 -97								
X	32	2			1811-2452-01	Radachsbuchse	Wheel shaft bushing		
X	33	1			1811-2421-01	Ritzel	Gear		
X	34	2			1811-2406-01	Keil	Key		
	35	1			9595-0212-00	Spannstift	Locating pin		
X	36	1			1811-2441-01	Radachse	Wheel shaft		
X	37	2			1811-2478-01	Federschloß	Spring pin		
X	38	4			1811-2407-01	Planscheibe	Flat washer		
X	39	2			1811-2408-01	Rad kpl- silber	Wheel assy- silver		4.10 - 6
X	40	1			1811-2496-01	Motor kpl	Engine assy		
	41	2			9997-0612-16	Schraube	Screw		
	42	2			9699-0025-02	Scheibe	Washer		
X	43	1			1811-2455-01	Riemenschutz	Belt cover		
	44	4			9747-0831-02	Mutter	Lock nut		
	45	4			9699-0062-02	Scheibe	Flat washer		
	59	4			9997-0835-12	Schraube	Screw		
	60	1			9997-0630-12	Schraube	Screw		
	61	1			9997-0620-16	Schraube	Screw		
	62	3			9739-0631-22	Mutter	Nut		
	71	1			9747-0631-02	Mutter	Lock nut		
X	72	1			1811-2470-01	Spannarm	Tension arm		
X	73	1			1811-2471-01	Scheibe	Washer		
	74	1			9997-0820-16	Schraube	Screw		
X	75	1			1811-2460-01	Feder	Spring		
X	76	1			1811-2451-01	Scheibe	Washer		
	77	1			9997-0620-16	Schraube	Screw		
	78	2			9699-0025-02	Scheibe	Washer		
X	79	1			1811-2450-01	Spannrolle m.Lager	Tension roller w.bear		
X	80	1			1811-2427-01	Scheibe	Washer		
	81	1			9997-0830-16	Schraube	Screw		
X	82	1			1811-2473-01	Riemenscheibe	Belt pulley		
	83	1			9699-0062-02	Scheibe	Flat washer		
	84	1			9997-0835-12	Schraube	Screw		
X	85	1			1811-2474-01	Riemenscheibe	Belt pulley		
X	86	1			1811-2409-01	Riemen	Belt		
X	87	1			1811-2410-01	Riemen	Belt		
	88	1			9997-0820-16	Schraube	Screw		
	89	3			9699-0056-02	Scheibe	Flat washer		
X	90	1			1811-2411-01	Lager	Bearing		
	91	1			9595-0212-00	Spannstift	Locating pin		
X	92	1			1811-2423-01	Sechskantachse	Hex shaft		
X	93	1			1811-2435-01	Nabe	Hub		
	94	3			9997-0612-16	Schraube	Screw		
X	95	1			1811-2436-01	Frikionsring	Friction ring		
X	96	2			1811-2433-01	Frikionsrad	Friction wheel		
	97	3			9997-0612-16	Schraube	Screw		
X	98	1			1811-2434-01	Shaltnabe	Gear selector hub		
X	99	1			1811-2412-01	Schließring	Lock ring		
X	100	1			1811-2413-01	Lager	Bearing		
	101	1			9699-0035-02	Scheibe	Flat washer		
	102	1			9747-1031-02	Mutter	Lock nut		
X	103	1			1811-2420-01	Halterung	Bracket		
	104	2			9997-0610-16	Schraube	Screw		
X	105	1			1811-2465-01	Schaltachse	Gear lever		
X	106	1			1811-2428-01	Triebrad	Drive pulley		
X	107	1			1811-2429-01	Achse	Shaft		
X	108	2			1811-2414-01	Lager	Bearing		
X	109	1			1811-2424-01	Halter- Triebrad	Bracket- drive pulley		
	110	1			9599-0054-02	Splint	Cotter pin		
	111	1			9747-1031-02	Mutter	Lock nut		
X	112	1			1811-2483-01	Feder	Spring		
X	113	1			1811-2489-01	Hülse	Collar		
	114	1			9699-0038-02	Scheibe	Flat washer		





Ausgabe Issue 2007-31		Bild Nr Picture No C118		SN 622 SNOW 55 GEHÄUSE		SN 622 SNOW 55 AUGER HOUSING		Seite Page 18	
Pos. Fig.	Anzahl/Quantity				Artikel Nr. Part No	Bezeichnung	Description	Satz Kit	Anmerkung Notes
	2810 -87 -97								
X 115	1				9747-0631-02	Mutter	Lock nut		
X 116	1				1811-2438-02	Halter- rot	Bracket- red		
X 117	2				9699-0025-02	Scheibe.....	Washer.....		
X 118	2				9997-0610-16	Schraube	Screw.....		
X 119	1				1811-2440-01	Seilrolle	Wire pulley.....		
X 120	1				1811-2476-01	Bolzen.....	Shoulder bolt		
X 121	1				1811-2425-01	Spannrolle m.Lager	Tension roller w.bear		
X 122	1				1811-2426-01	Distanz.....	Spacer		
X 123	1				9997-0840-16	Schraube	Screw.....		
X 124	1				1811-2427-01	Scheibe.....	Washer.....		
X 125	1				9747-0831-02	Mutter.....	Lock nut		
X 126	1				9747-1031-02	Mutter	Lock nut		
X 127	1				9699-0035-02	Scheibe.....	Flat washer.....		
X 128	1				1811-2448-01	Spannarm	Tension arm		
X 129	1				1811-2457-01	Feder	Spring		
X 130	1				1811-2475-01	Schraube	Screw.....		
X 131	1				1811-2462-01	Feder	Spring		
X 132	1				9699-0028-02	Scheibe.....	Flat washer.....		
X 133	1				9747-0831-02	Mutter.....	Lock nut		
X 148	2				9747-0831-02	Mutter.....	Lock nut		
X 149	2				9898-0820-16	Schraube	Screw.....		
X 150	4				9747-0831-02	Mutter.....	Lock nut		
X 151	1				1811-2497-01	Abstreifer- schwarz.....	Scraper blade- black.....		
X 152	4				9898-0820-16	Schraube	Screw.....		
X 153	4				9699-0062-02	Scheibe.....	Flat washer.....		
X 154	2				9747-0831-02	Mutter.....	Lock nut		
X 155	2				9699-0062-02	Scheibe.....	Flat washer.....		
X 156	2				1811-2493-01	Gleitschuhe- schwarz.....	Skid shoe- black.....		
X 157	1				1811-2488-02	Gehäuse- rot	Auger housing- red		
X 186	2				9898-0820-16	Schraube	Screw.....		
X 187	2				9699-0062-02	Scheibe.....	Flat washer.....		
X 188	2				9747-0831-02	Mutter.....	Lock nut		
X 189	2				9747-0631-02	Mutter	Lock nut		
X 190	2				9997-0620-16	Schraube	Screw.....		
X 191	6				9747-0631-02	Mutter	Lock nut		
X 192	3				1811-2445-01	Scheibe.....	Chute washer		
X 193	3				1811-2446-01	Dichtung.....	Chute gasket		
X 194	6				9997-0620-16	Schraube	Screw.....		
X 195	2				9747-0831-02	Mutter.....	Lock nut		
X 196	2				1811-2498-01	Schloßrad	Locking knob		
X 197	2				9898-0820-16	Schraube	Screw.....		
X 198	1				1811-2499-01	Auswurfrohr	Chute		
X 199	1				9997-0620-16	Schraube	Screw.....		
X 200	1				1811-2461-01	Feder	Spring		
X 201	1				9747-0631-02	Mutter	Lock nut		
X 202	1				1811-2432-01	Auswurfschutz.....	Chute guard		
X 203	1				1811-2500-01	Werkzeug.....	Cleaner stick		





Ausgabe Issue 2007-31		Bild Nr Picture No C119		SN 622 SNOW 55 SCHNEESCHRAUBE		SN 622 SNOW 55 AUGER		Seite Page 20	
Pos. Fig.	Anzahl/Quantity				Artikel Nr. Part No	Bezeichnung	Description	Satz Kit	Anmerkung Notes
	2810 -87 -97								
	134	1			9997-0820-16	Schraube	Screw		
	135	1			9699-0056-02	Scheibe	Flat washer		
X	136	1			1811-2464-01	Riemenscheibe	Belt pulley		
	137	3			9747-0831-02	Mutter	Lock nut		
X	138	1			1811-2422-01	Lagerhalter	Bearing cover		
	139	1			9600-0170-00	Keil	Flat key		
X	140	1			1811-2415-01	Lager	Bearing		
X	158	1			1811-2447-01	Schneeschaubenwelle	Auger shaft		
X	159	1			1811-2416-01	Keil	Key		
	160	2			9747-0831-02	• Mutter	• Lock nut		
X	161	1			1811-9012-01	Sicherheitsbolzen	Shear bolt kit		Pos 160 incl.
X	162	1			1811-2480-01	Schneeschraube- L	Auger- LH		
X	163	1			1811-2443-01	Buchse	Shaft bushing		
X	164	2			1811-2418-01	Planscheibe	Flat washer		
X	165	2			1811-2444-01	Buchse	Shaft bushing		
X	166	2			1811-2449-01	Lagerhalter	Bearing cover		
	167	6			9699-0028-02	Scheibe	Flat washer		
	168	6			9997-0812-16	Schraube	Screw		
X	169	1			1811-2479-01	Schneeschraube- R	Auger- RH		
	170	7			9997-0620-16	Schraube	Screw		
	171	7			9683-0025-02	Scheibe	Lock washer		
	172	7			9699-0025-02	Scheibe	Washer		
X	173	1			1811-2463-01	Ritzel	Worm wheel		
X	174	1			1811-2484-01	Getriebegehäuse- L	Gear housing- LH		
X	175	1			1811-2490-01	Buchse	Bushing		
X	176	3			1811-2443-01	Buchse	Shaft bushing		
X	177	1			1811-2485-01	Getriebegehäuse- R	Gear housing- RH		
X	178	1			1811-2402-01	Lager	Bearing		
X	179	1			1811-2454-01	Ventilatorwelle	Fan shaft		
X	180	1			1811-2403-01	Lager	Bearing		
X	181	1			1811-2404-01	Drucklager	Thrust bearing		
X	182	1			1811-2405-01	Dichtring	Seal ring		
	183	2			9595-0262-00	Spannstift	Locating pin		
X	184	1			1811-2477-01	Scheibe	Washer		
X	185	1			1811-2419-01	Ventilator	Fan		