



Green Passion

Illustrated Parts List

XSW 50 EL

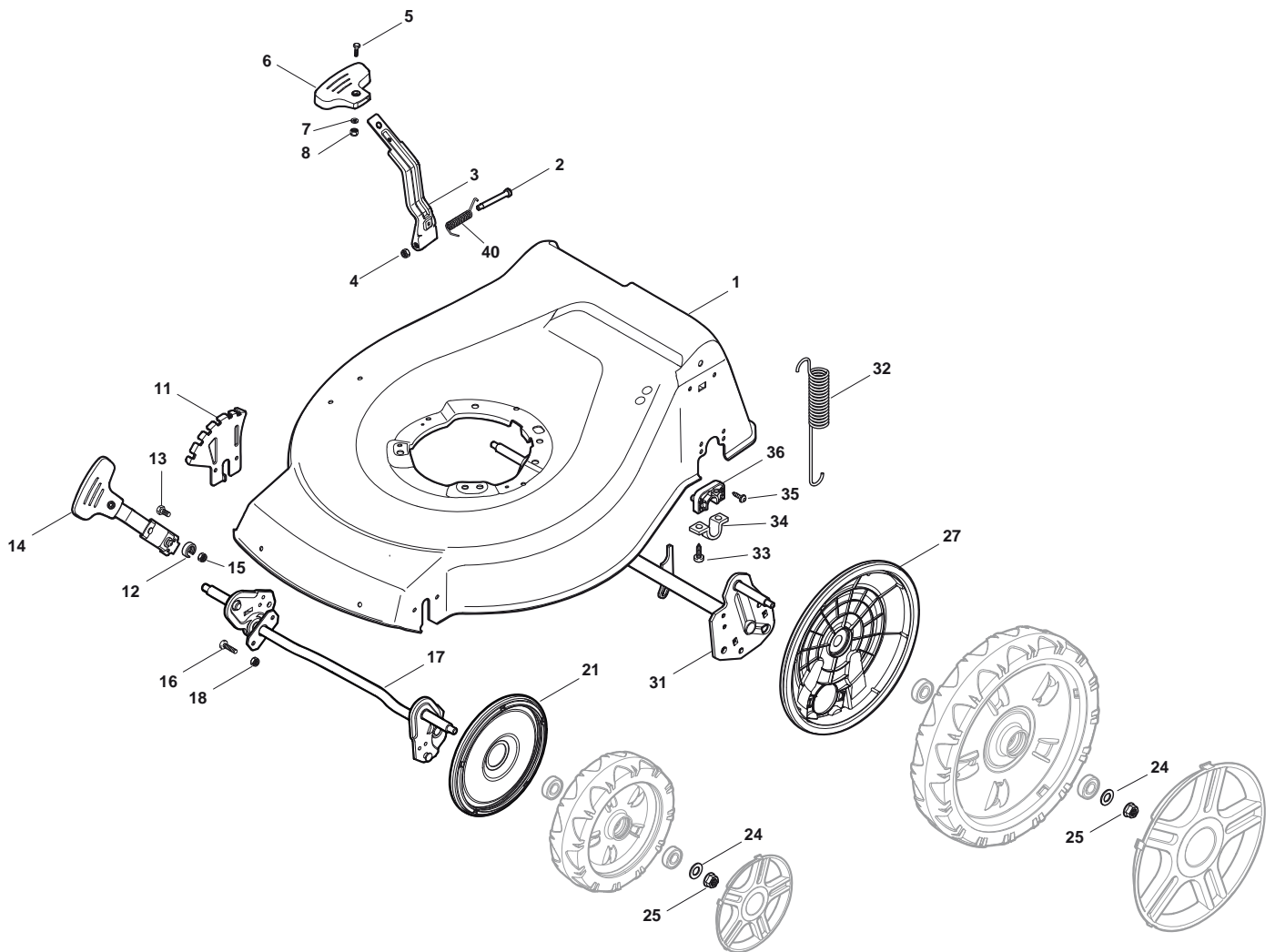
Model Year 2011

- Use GLOBAL GARDEN PRODUCT Genuine Spare Parts specified in the parts list for repair and/or replacement.
- The contents described in the parts list may change due to improvement.
- The drawings of the spare parts are only indicative and might not represent the part in question exactly.
- The indications "right" - "left" - "front" - "rear" refer to the position of the operator when using the machine.
- When placing orders of parts for repair and/or replacement, make sure that the illustrated parts list is the one applying to the machine's year of manufacture, as shown on the identification plate attached to the machine.

COPYRIGHT by GLOBAL GARDEN PRODUCTS

All rights reserved. No part of this material may be reproduced or transmitted, in any form or by any means, electronic or mechanical, including photocopying, recording or by any information storage and retrieval system, without permission in writing from GLOBAL GARDEN PRODUCTS.

Deck And Height Adjusting

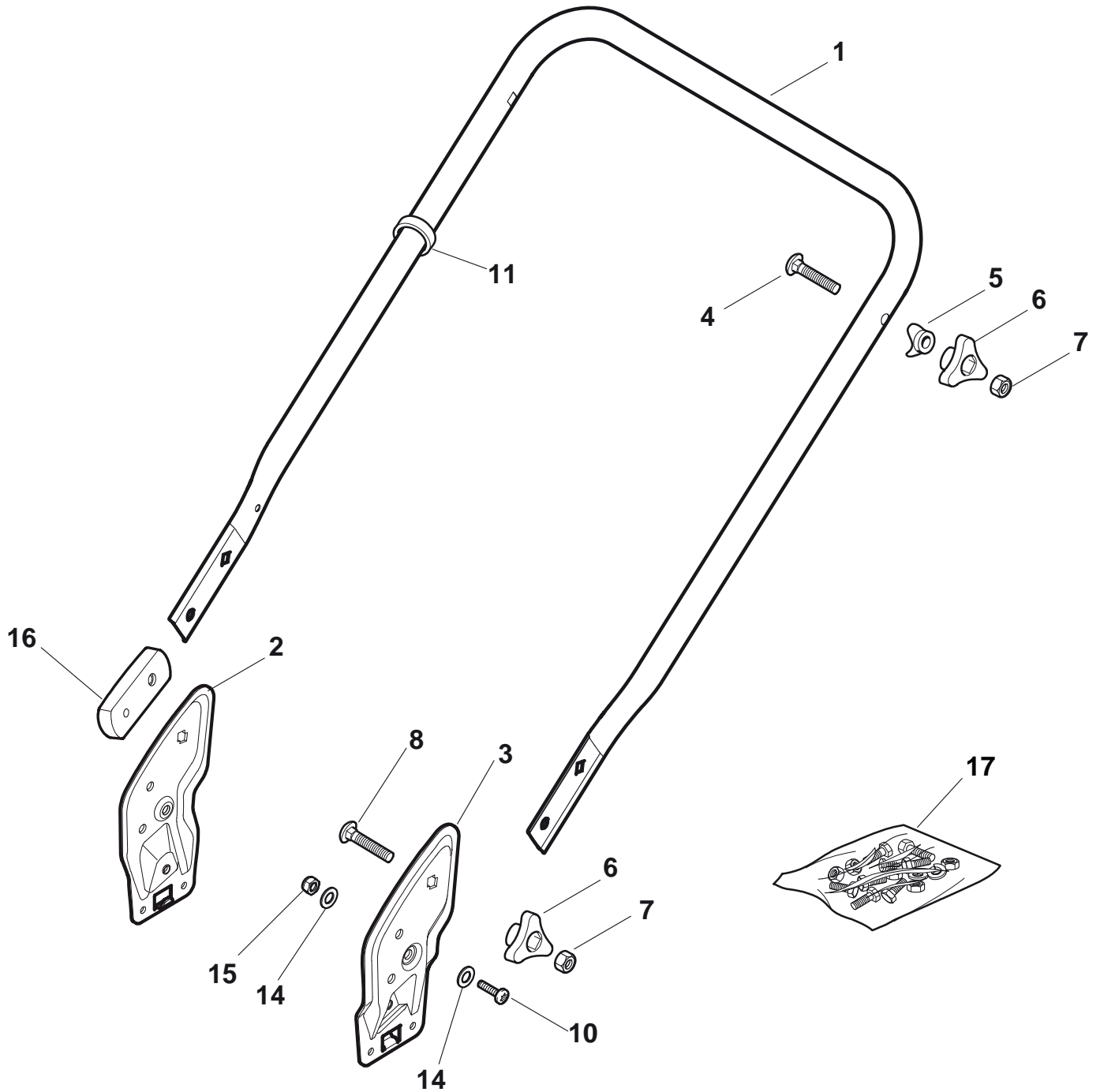




XSW 50 EL

Deck And Height Adjusting

Pos.	Part no.	Q.ty	Description	Remarks
1	381003901/0	1	Deck Red	
2	122534131/0	1	Pin	
3	381003398/0	1	Lever, Height Adjustment	
4	12154510/0	1	Nut	
5	12788512/0	1	Screw	
6	322394503/0	1	Knob	
7	12521310/0	1	Washer	
8	12150000/0	1	Nut	
11	322735589/0	1	Sector, Height Adjustment	
12	22171002/0	2	Spacer	
13	12789000/0	2	Screw	
14	381003351/0	1	Lever, Height Adjustment	
15	12154330/0	2	Nut	
16	112727803/0	4	Screw	
17	381002881/1	1	Axle, Front Wheels	
18	12154510/0	4	Nut	
21	322600145/0	2	Protection, Wheel	
24	12521350/0	4	Washer	
25	12155000/0	4	Nut	
27	322600208/0	2	Protection, Wheel	
31	381302831/0	1	Axle, Rear Wheels	
32	122450460/0	1	Spring	
33	112728697/0	4	Screw	
34	22545152/0	2	Plate	
35	112728697/0	4	Screw	
36	322785304/0	2	Support	
40	122446192/0	1	Spring	

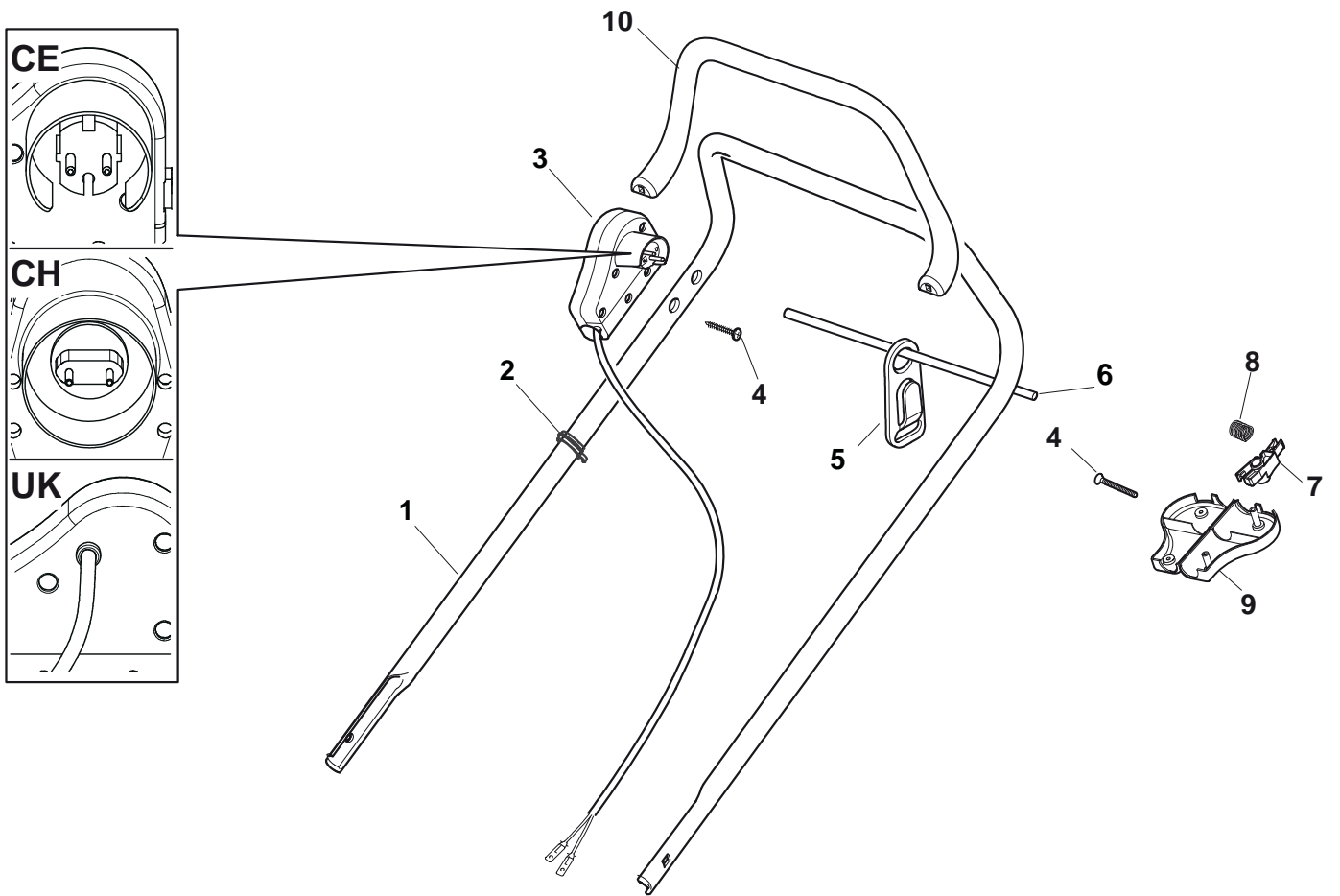




XSW 50 EL

Handle, Lower Part

Pos.	Part no.	Q.ty	Description	Remarks
1	381006735/0	1	Handle, Lower Part	
2	381005133/0	1	Bracket, R	
3	381005135/0	1	Bracket, L	
4	12819120/0	2	Screw	
5	22680006/1	4	Washer	
6	22399900/0	4	Knob	
7	12293200/0	4	Nut	
8	12819110/0	2	Screw	
10	12793701/0	2	Screw	
11	22192000/1	1	Clamp	
14	12521350/0	4	Washer	
15	12154510/0	2	Nut	
16	322551582/0	2	Isolation Plate	
17	381008689/0	1	Outfit, Screws	

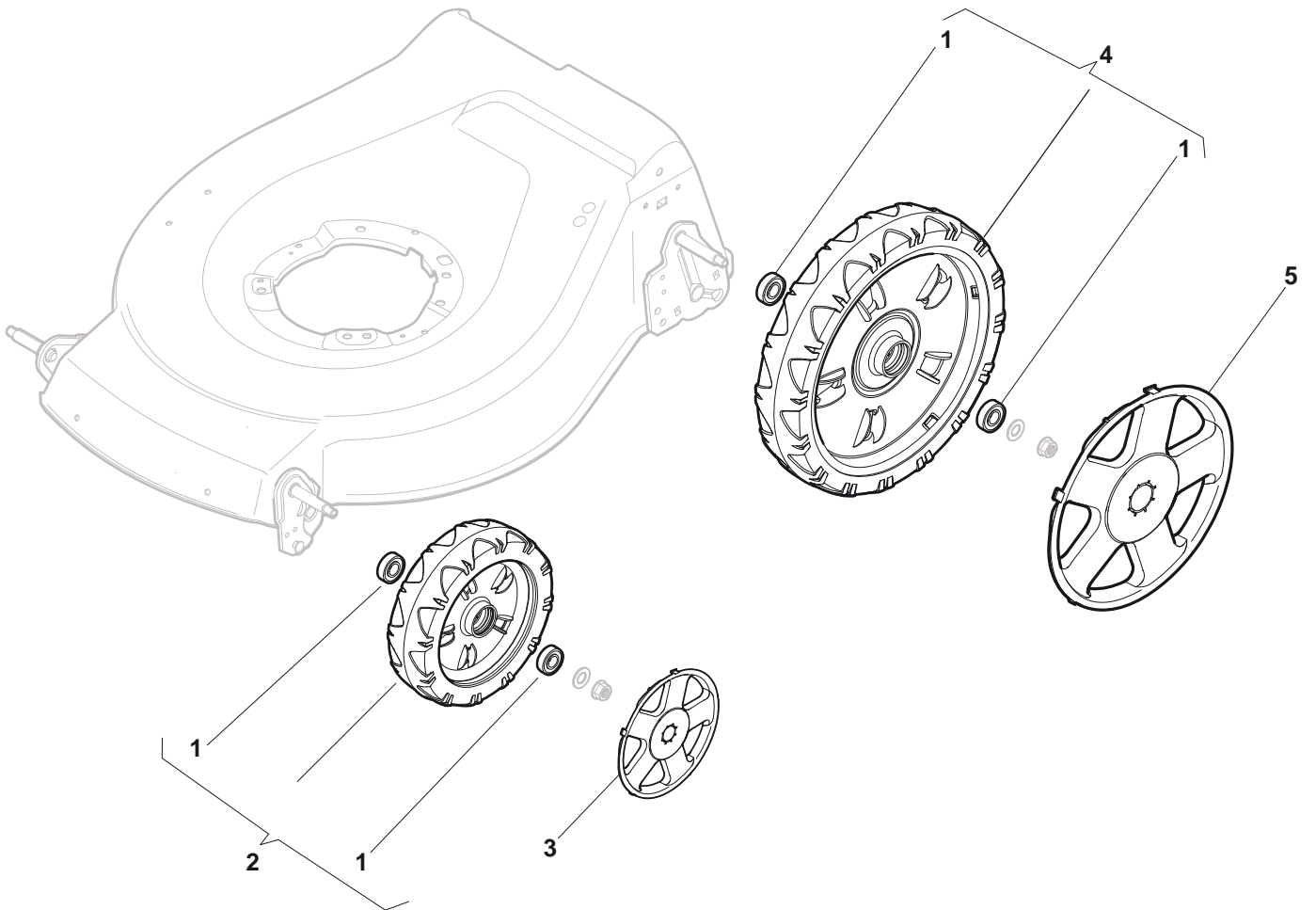




XSW 50 EL

Handle, Upper Part

Pos.	Part no.	Q.ty	Description	Remarks
1	81007017/2	1	Handle, Upper Part	
2	22192000/1	2	Clamp	
3	381600503/3	1	Dead Hand Switch	
4	12728701/0	4	Screw	
5	22195101/4	1	Fairlead	
6	22010251/0	1	Rod, Fairlead Bearing	
7	322230350/1	1	Fulcrum Pin	
8	22450115/0	1	Spring	
9	322785144/1	1	Support	
10	322322884/1	1	Lever, Engine Brake	

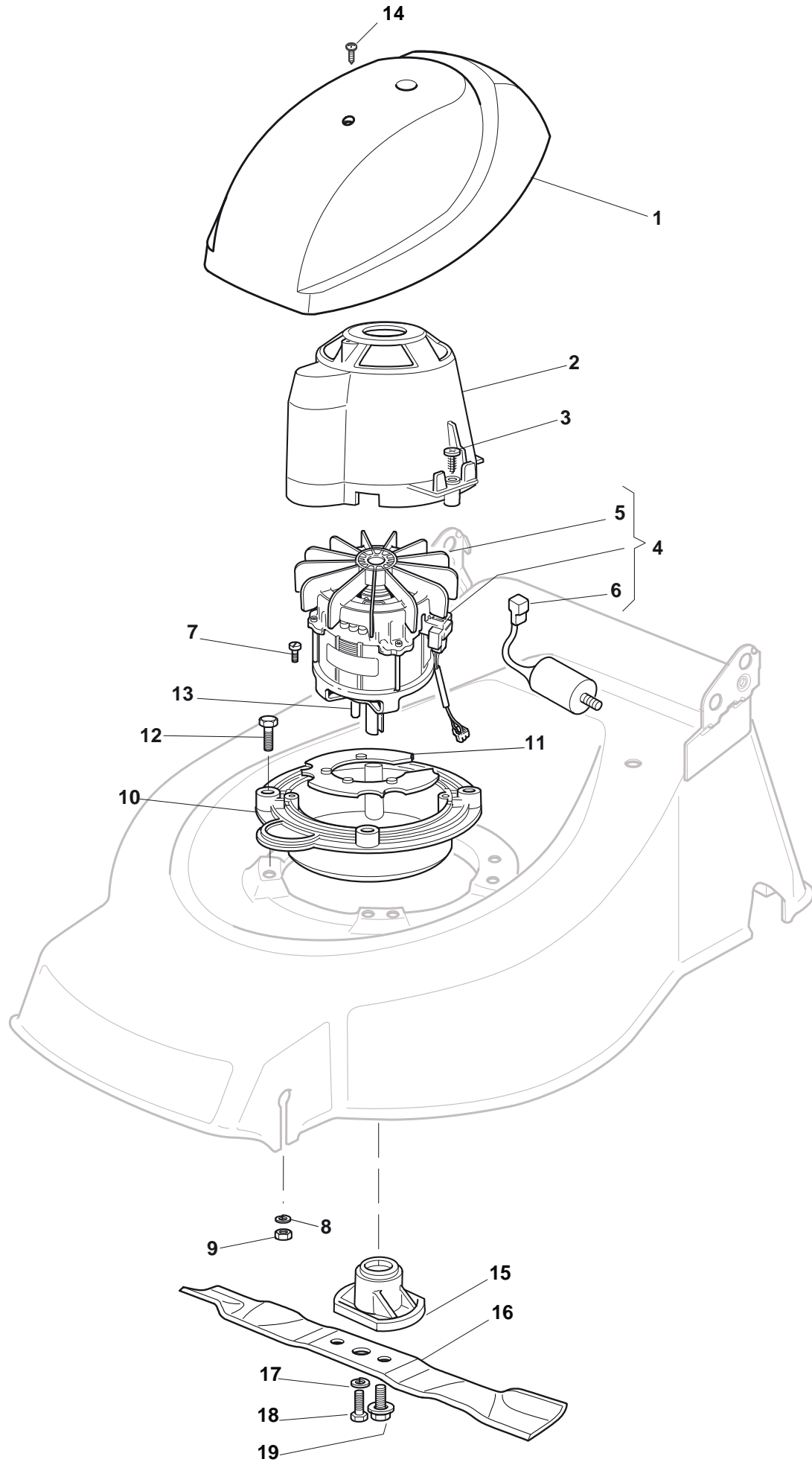




XSW 50 EL

Wheel and Hub Cap

Pos.	Part no.	Q.ty	Description	Remarks
1	19216035/0	8	Bearing	
2	381007416/1	2	Ruota Ø 200	
3	22110382/0	2	Hub Cap	
4	381007417/1	2	Ruota Ø 280	
5	322110511/0	2	Hub Cap	

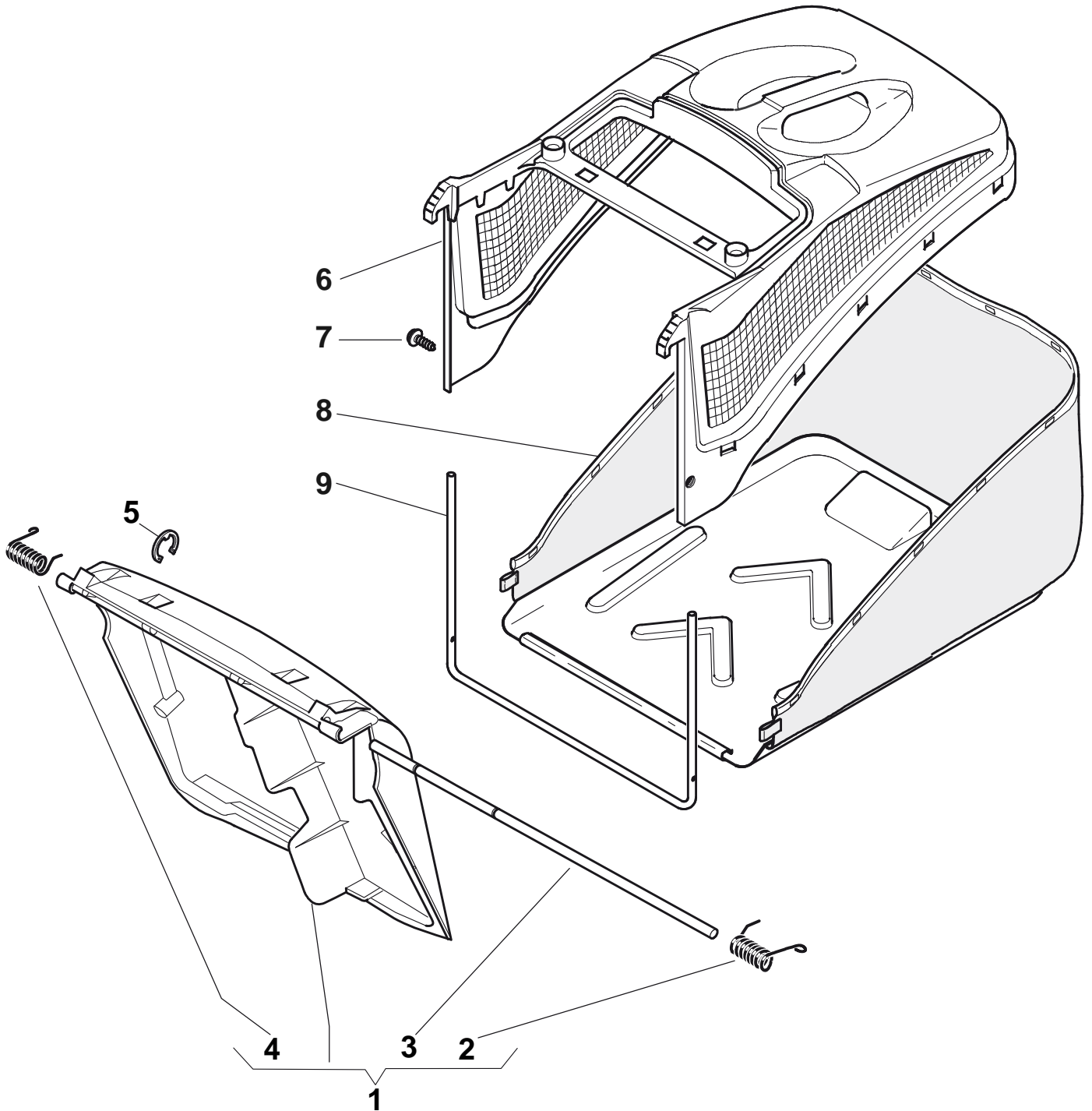




XSW 50 EL

Electric Motor/Blade

Pos.	Part no.	Q.ty	Description	Remarks
1	22055058/0	1	Cover	
2	22785210/0	1	Support, Cover	
3	12728710/0	4	Screw	
4	18563605/0	1	Motor Atb	
5	18740054/0	1	Fan Motor Atb	
6	18222045/0	1	Condenser 16 µf	
7	12735410/0	4	Screw	
8	12583500/0	4	Grower	
9	12293200/0	4	Nut	
10	322207211/4	1	Flange	
11	322720360/2	1	Ventilation Screen	
12	12793700/0	4	Screw	
13	12139440/0	1	Feather	
14	12728680/0	2	Screw	
15	322463186/3	1	Hub	
16	81004346/3	1	Blade Standard	
16	81004397/0	1	Blade Winged	
17	12583500/0	2	Grower	
18	12793101/0	2	Screw	
19	381004352/1	1	Screw	





XSW 50 EL

Grass-Catcher

Pos.	Part no.	Q.ty	Description	Remarks
1	381008021/2	1	Stone-Guard	
2	22450410/1	1	R Spring	
3	22517906/1	1	Pin	
4	22450420/1	1	L Spring	
5	12000930/0	1	Crown Fastener	
6	22486093/0	1	Grass-Box, Upper	
7	12728445/0	2	Screw	
8	81002195/0	1	Box, Fabric	
9	22608523/0	1	Stiffening Lower	