



*Green Passion*

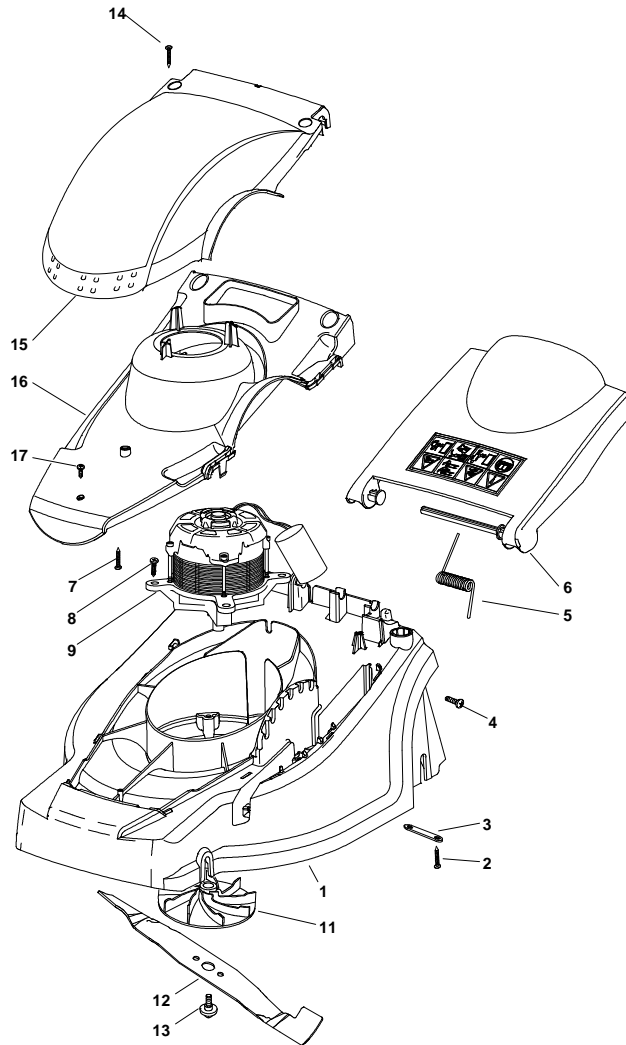
# Illustrated Parts List

## XP 43 EL - Model Year 2010

- Use GLOBAL GARDEN PRODUCT Genuine Spare Parts specified in the parts list for repair and/or replacement.
- The contents described in the parts list may change due to improvement.
- The drawings of the spare parts are only indicative and might not represent the part in question exactly.
- The indications "right" - "left" - "front" - "rear" refer to the position of the operator when using the machine.
- When placing orders of parts for repair and/or replacement, make sure that the illustrated parts list is the one applying to the machine's year of manufacture, as shown on the identification plate attached to the machine.

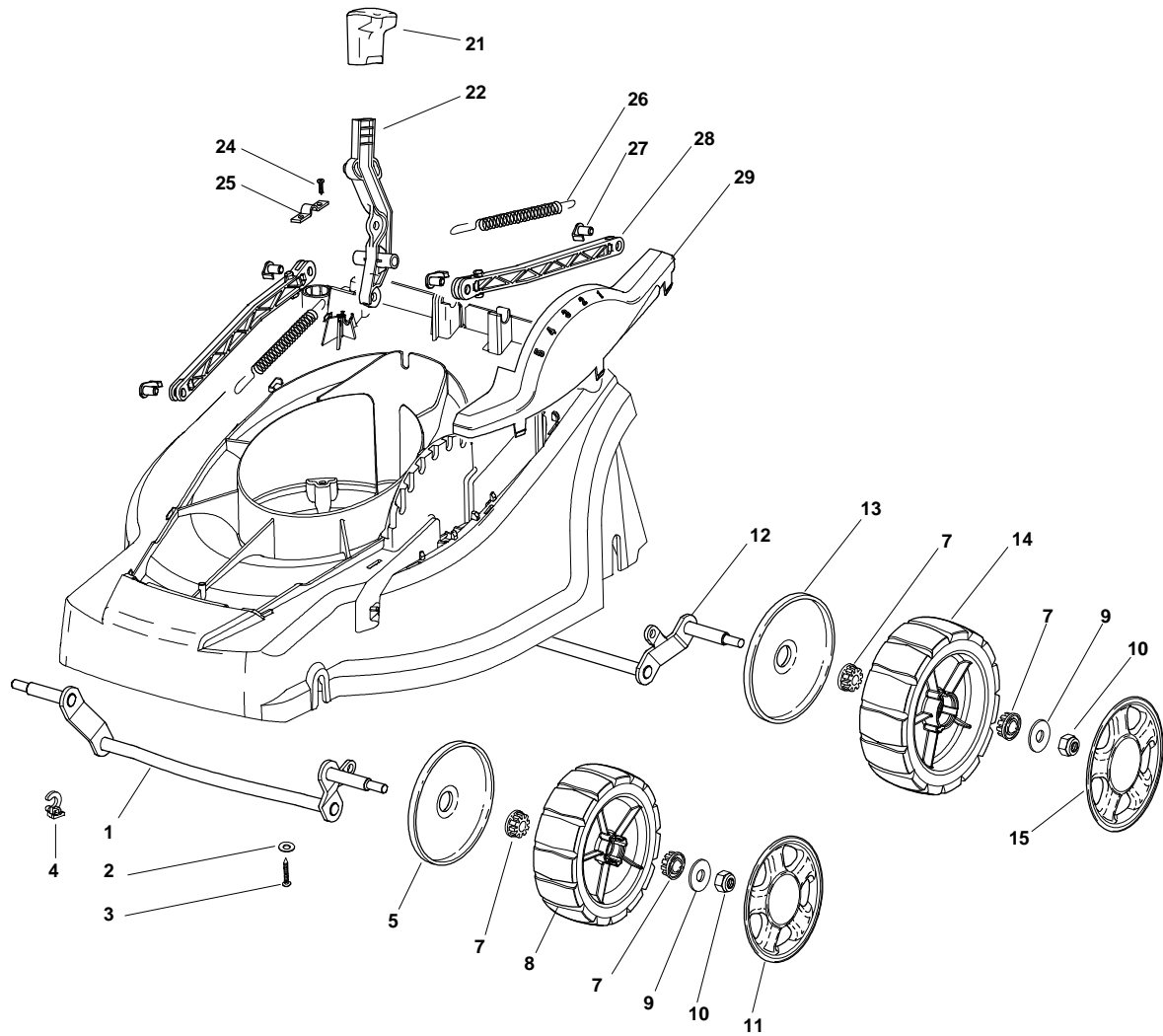
COPYRIGHT by GLOBAL GARDEN PRODUCTS

All rights reserved. No part of this material may be reproduced or transmitted, in any form or by any means, electronic or mechanical, including photocopying, recording or by any information storage and retrieval system, without permission in writing from GLOBAL GARDEN PRODUCTS.

**Chassis**


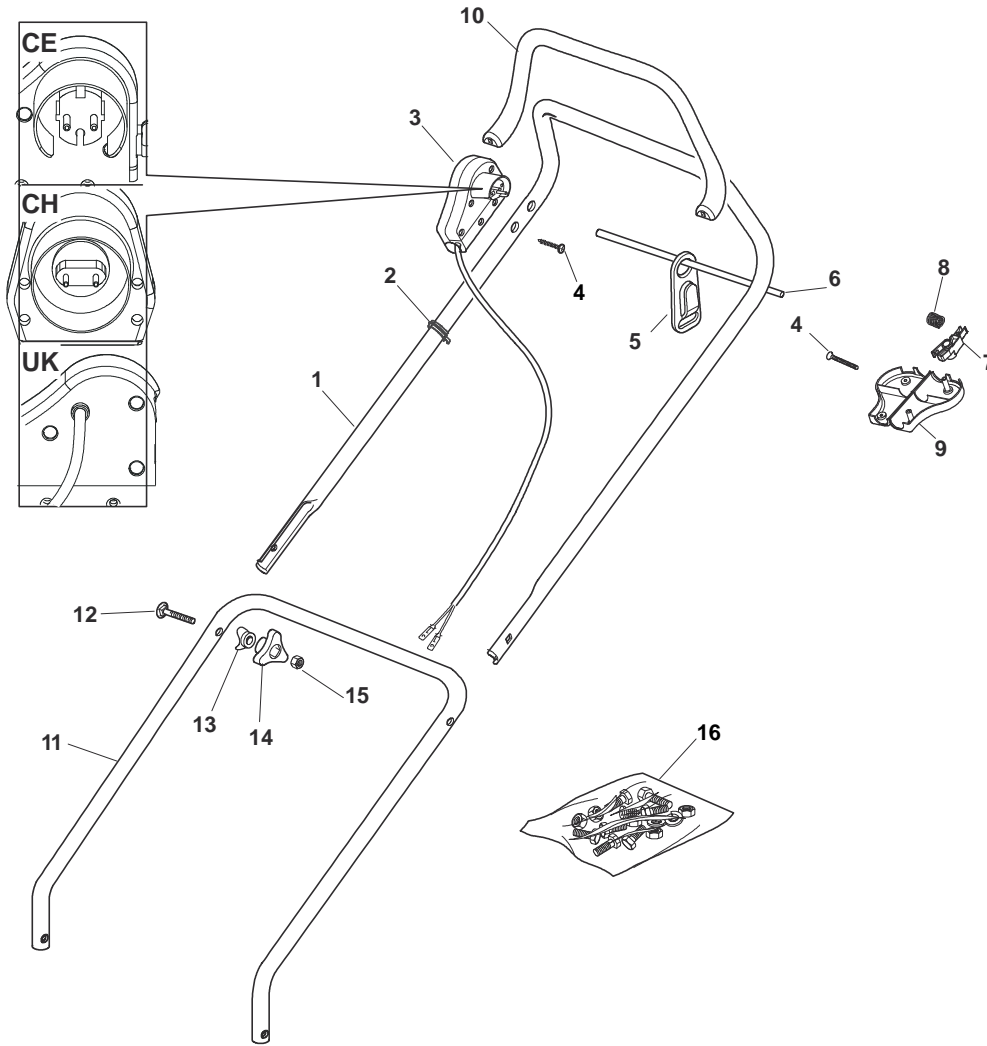
Pos.	Part no.	Q.ty	Description	Remarks
1	322066733/0	1	Deck Red	
2	12728691/0	2	Screw	
3	22608535/0	1	Plate	
4	12728450/0	2	Screw	
5	22450423/0	1	Spring	
6	322600157/1	1	Stone-Guard, Grey	
7	12728691/0	1	Screw	
8	12735410/0	4	Screw	
9	118563667/0	1	Motor	(1600W)
9	118563670/0	1	Motor	(1300W)
9	118563671/0	1	Motor	(1500W)
11	322465602/1	1	Hub	
12	81004145/0	1	Blade	
13	81004352/0	1	Screw	
14	12728685/0	2	Screw	
15	12728524/0	1	Screw	
16	322109723/1	1	Support, Cover	
17	322055479/0	1	Cover, Red	

### Wheels And Height Adjusting



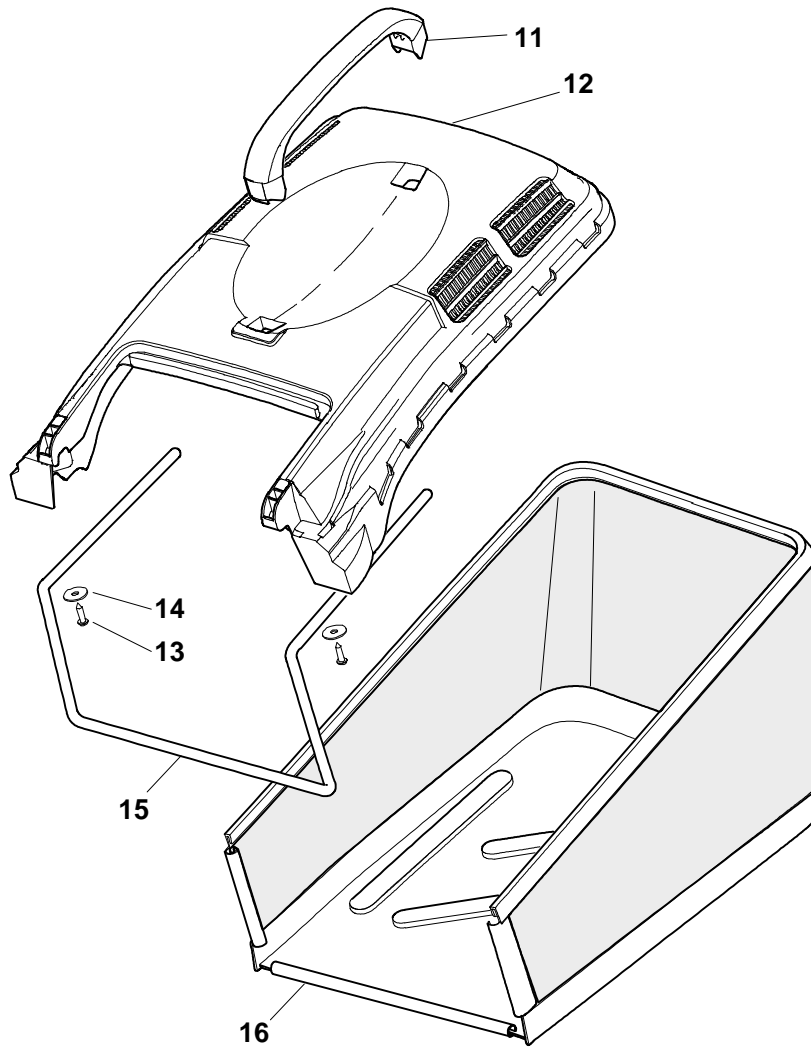
Pos.	Part no.	Q.ty	Description	Remarks
1	81002837/0	1	Axle, Front Wheels	
2	12523050/0	4	Washer	
3	12728680/0	4	Screw	
4	22170631/0	2	Spacer	
5	22600095/0	2	Protection	
7	22034508/0	8	Bush	
8	322686098/0	2	Wheel D.165	
9	12523060/0	4	Washer	
10	12155000/0	4	Nut	
11	22110381/0	2	Hub Cap	
12	81002839/0	1	Axle, Rear Wheels	
13	22600131/0	2	Protection, Wheel	
14	322686099/0	2	Wheel D.190	
15	22110382/0	2	Hub Cap	
21	22399818/0	1	Knob	
22	322321535/0	1	Lever, Height Adjustment	
24	12728691/0	2	Screw	
25	25547049/0	1	Plate	
26	22450424/0	2	Spring	
27	22524338/0	4	Pin	
28	22869668/0	2	Tie Rod	
29	22109724/0	1	Cover, Grey	
29	22109731/0	1	Cover, Grey	

### Handle, Upper Part



Pos.	Part no.	Q.ty	Description	Remarks
1	81006571/0	1	Handle, Upper Part	
2	22192000/1	2	Clamp	
3	381600503/2	1	Dead Hand Switch	CE
3	381600504/2	1	Dead Hand Switch	CH
3	381600505/2	1	Dead Hand Switch	UK
4	12728701/0	4	Screw	
5	22195101/4	1	Fairlead	
6	22010252/0	1	Rod, Fairlead Bearing	
7	322230350/1	1	Fulcrum Pin	
8	22450115/0	1	Spring	
9	22785144/0	1	Support	
10	322322880/1	1	Lever, Engine Brake	
11	81006661/0	1	Handle, Lower Part	
12	12819201/0	2	Screw	
14	22399900/0	2	Knob	
14	22680006/1	2	Washer	
15	12293200/0	2	Nut	
16	81008674/0	1	Outfit, Screws	

**Grass-Catcher**



Pos.	Part no.	Q.ty	Description	Remarks
1	322393620/1	1	Handle, Grey	
2	322486193/2	1	Grassbox Upper Part	
11	322393620/1	1	Handle, Grey	
12	322486193/2	1	Grassbox Upper Part	
13	12728680/0	2	Screw	
14	12523050/0	2	Washer	
15	22608539/0	1	Stiffening Lower	
16	81002266/0	1	Box, Fabric	