



*Green Passion*

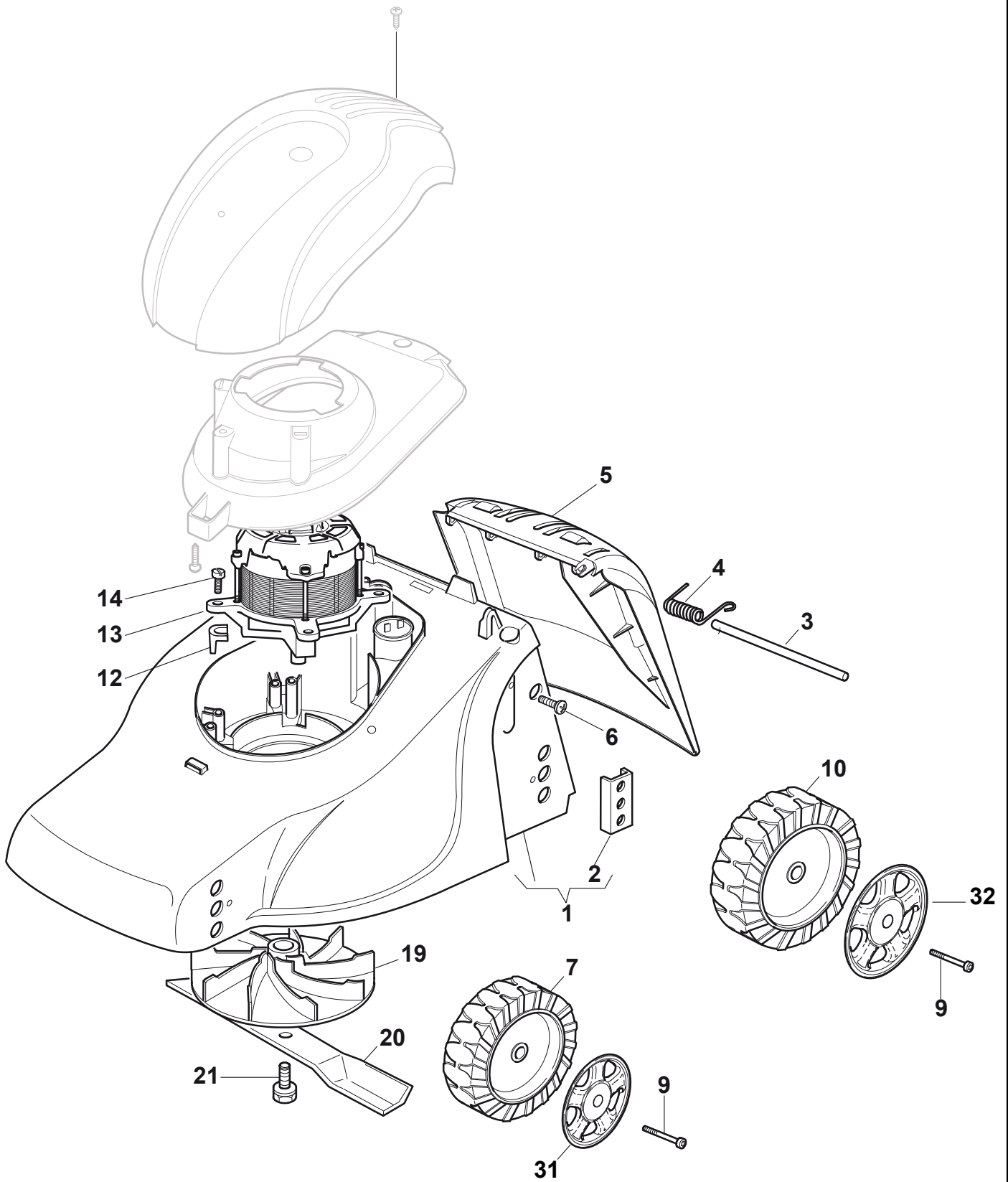
# Illustrated Parts List

## XPE 37 EL - Model Year 2010

- Use GLOBAL GARDEN PRODUCT Genuine Spare Parts specified in the parts list for repair and/or replacement.
- The contents described in the parts list may change due to improvement.
- The drawings of the spare parts are only indicative and might not represent the part in question exactly.
- The indications "right" - "left" - "front" - "rear" refer to the position of the operator when using the machine.
- When placing orders of parts for repair and/or replacement, make sure that the illustrated parts list is the one applying to the machine's year of manufacture, as shown on the identification plate attached to the machine.

COPYRIGHT by GLOBAL GARDEN PRODUCTS

All rights reserved. No part of this material may be reproduced or transmitted, in any form or by any means, electronic or mechanical, including photocopying, recording or by any information storage and retrieval system, without permission in writing from GLOBAL GARDEN PRODUCTS.

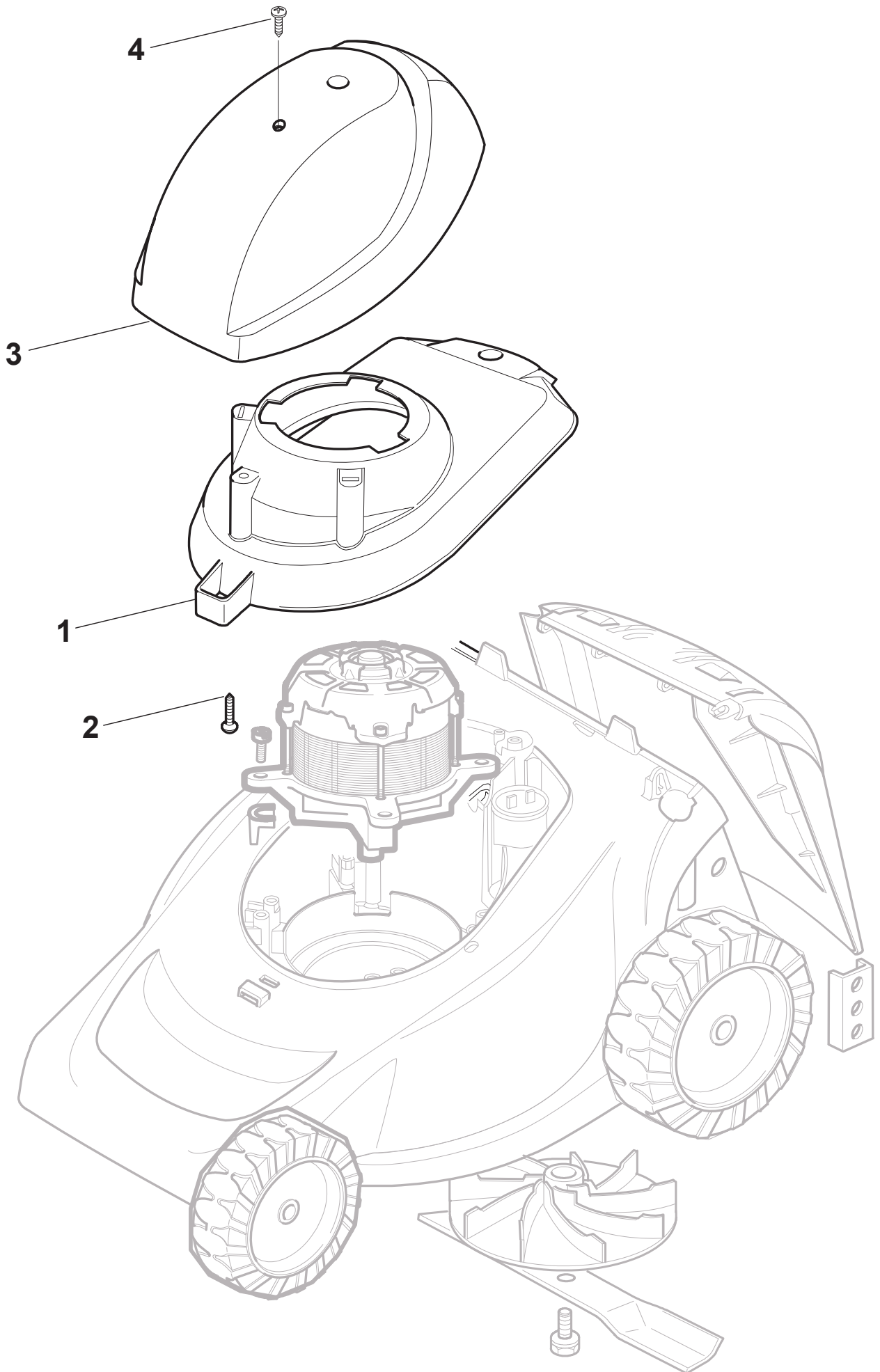




XPE 37 EL

**Wheels And Height Adjusting**

Pos.	Part no.	Q.ty	Description	Remarks
1	81001560/0	1	Deck Red	
2	22785087/1	4	Support, Wheels	
3	22512530/0	1	Pin	
4	22450250/0	1	Spring	
5	22600055/1	1	Stone-Guard	
6	12728450/0	2	Screw	
7	22686083/0	2	Wheel Ø 130	
9	22524337/0	4	Pin	
10	22686085/0	2	Wheel Ø 160	
12	22167700/0	4	Spacer	
13	118563658/0	1	Motor	
14	12735410/0	4	Screw	
19	322465602/1	1	Hub Fan	
20	81004141/0	1	Blade Standard	
21	381004352/1	1	Screw	
31	22110420/0	2	Hub Cap Grey	
32	22110421/0	2	Hub Cap Grey	

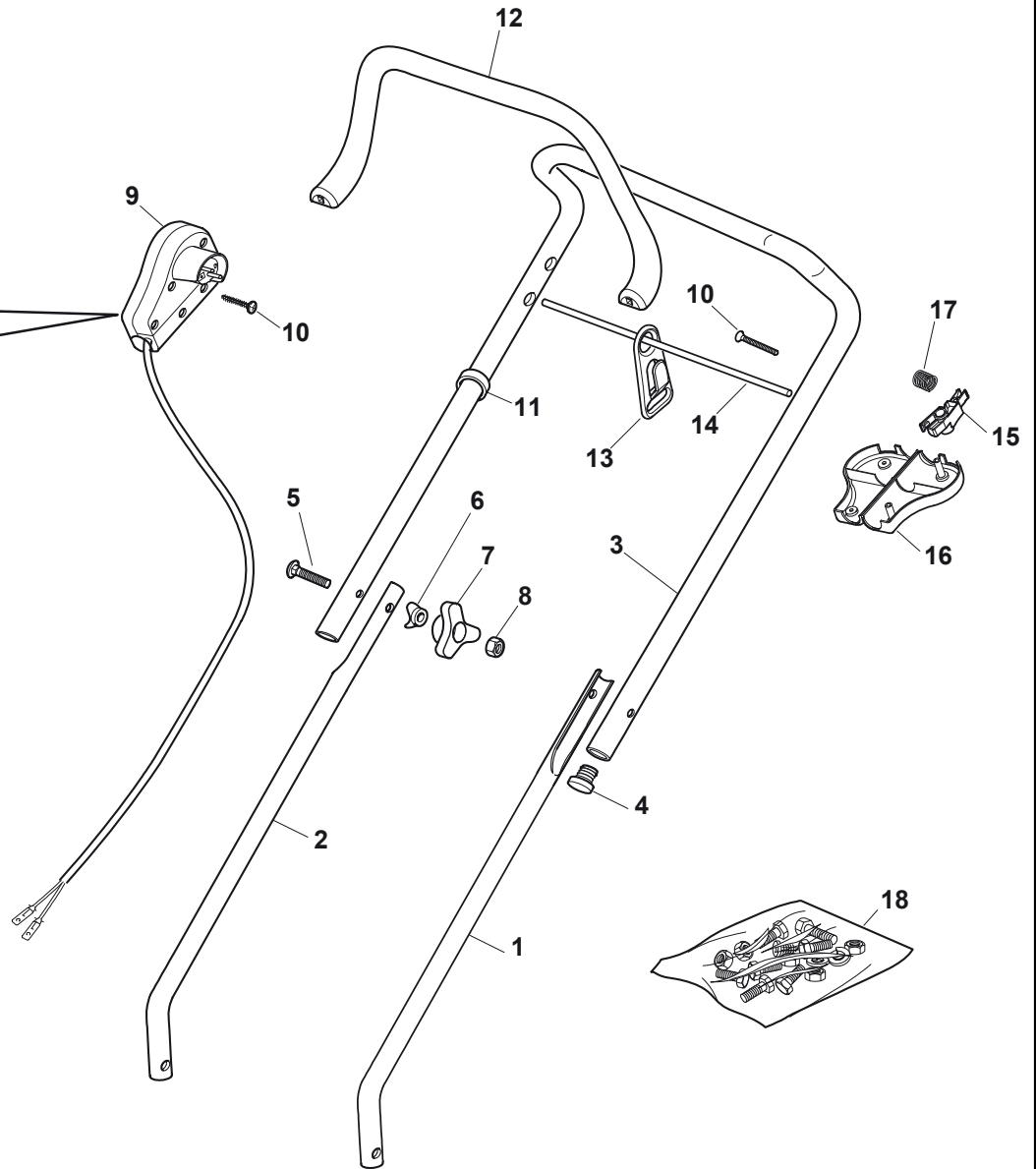
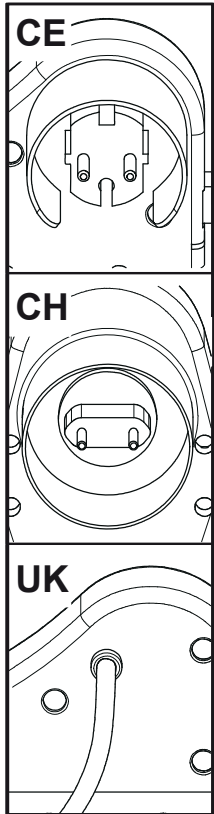




XPE 37 EL

### Electric Motor/Blade

Pos.	Part no.	Q.ty	Description	Remarks
1	22055050/2	1	Support, Cover	
2	12728450/0	1	Screw	
3	22055063/0	1	Cover	
4	12728680/0	1	Screw	

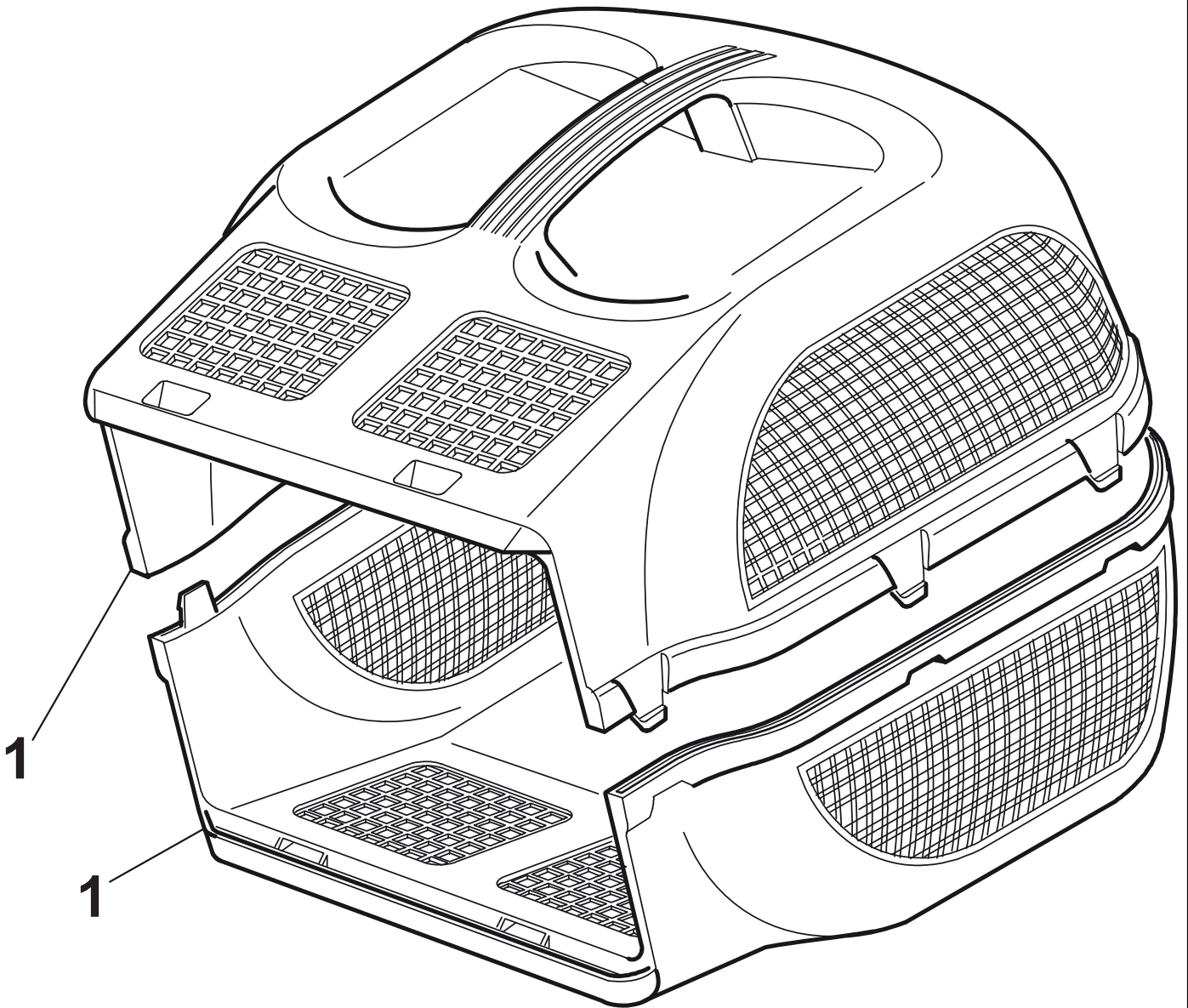




XPE 37 EL

**Handle, Upper Part**

Pos.	Part no.	Q.ty	Description	Remarks
1	381006940/2	1	Handle, L Lower	
2	381006939/2	1	Handle, R Lower	
3	81006941/4	1	Handle, Upper Part	
4	18566112/0	2	Cap	
5	12819120/0	2	Screw	
6	22680006/1	2	Washer	
7	22399900/0	2	Knob	
8	12293200/0	2	Nut	
9	381600503/3	1	Dead Hand Switch	
10	12728701/0	4	Screw	
11	22192000/1	1	Clamp	
12	322322882/1	1	Lever, Engine Brake Red	
13	22195101/4	1	Fairlead	
14	22010250/0	1	Rod, Fairlead Bearing	
15	322230350/1	1	Fulcrum Pin	
16	322785144/1	1	Support	
17	22450115/0	1	Spring	
18	81008669/0	1	Outfit, Screws	







XPE 37 EL

### Grass-Catcher

Pos.	Part no.	Q.ty	Description	Remarks
1	22486048/0	2	Grass-Box, Upper/Lower Part	