

# ILLUSTRATED PARTS LIST

## T 430 S

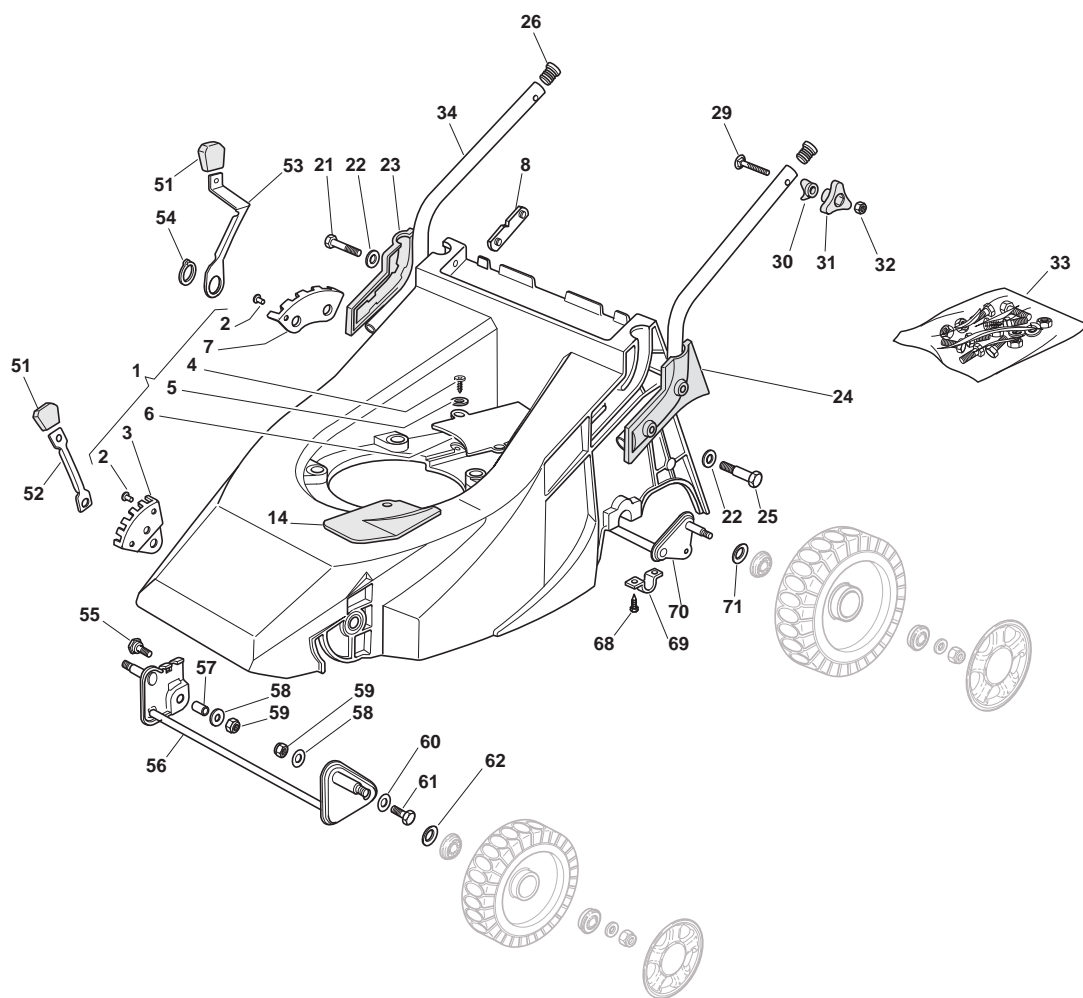


- Use GLOBAL GARDEN PRODUCT Genuine Spare Parts specified in the parts list for repair and/or replacement.
- The contents described in the parts list may change due to improvement.
- The drawings of the spare parts are only indicative and might not represent the part in question exactly.
- The indications "right" - "left" - "front" - "rear" refer to the position of the operator when using the machine.
- When placing orders of parts for repair and/or replacement, make sure that the illustrated parts list is the one applying to the machine's year of manufacture, as shown on the identification plate attached to the machine.

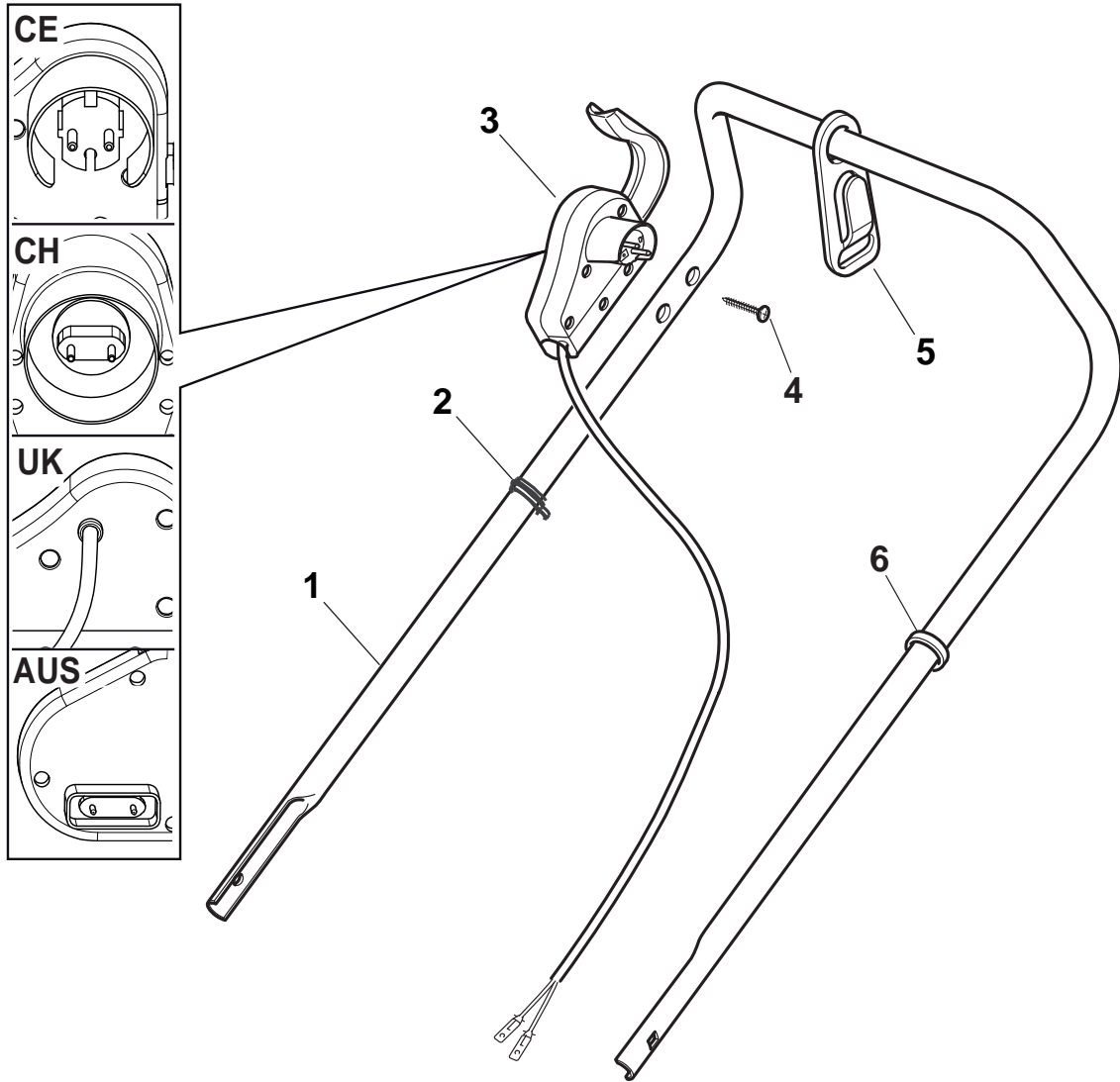
© Copyright 2013 Global Garden Products

All content is subject to copyright by Global Garden Products and may not be reproduced in whole or in part by any means, electronic or otherwise, without prior written approval.

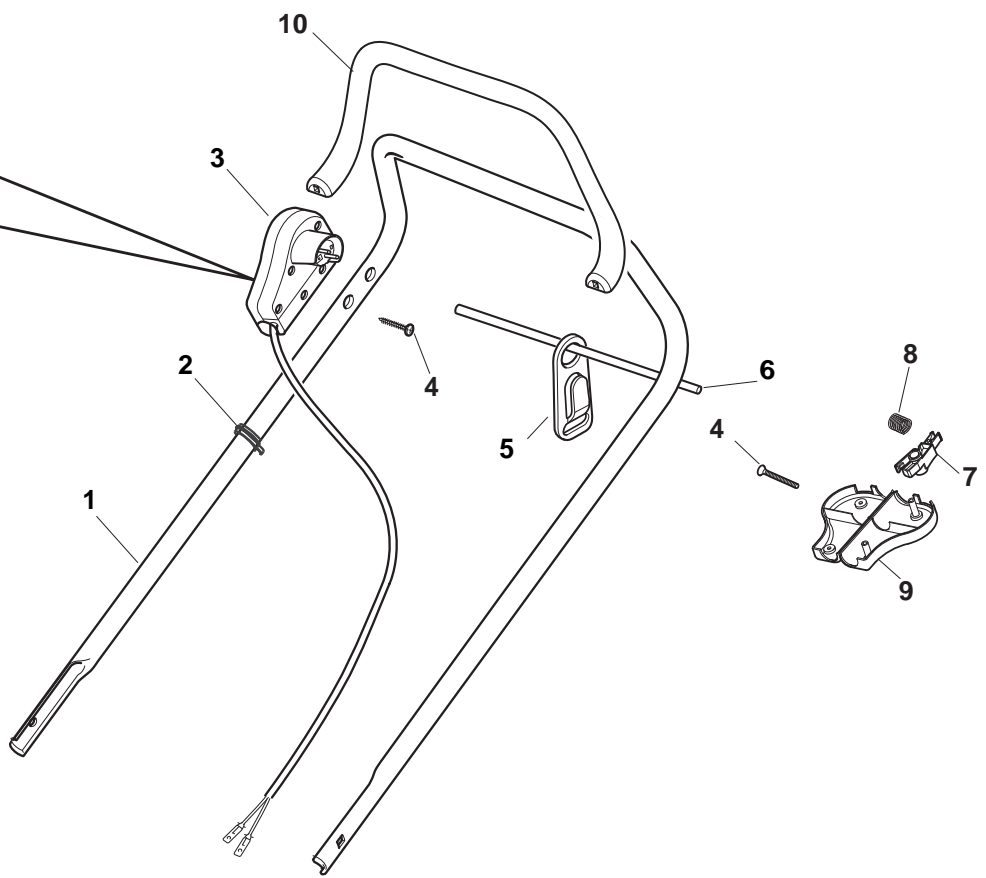
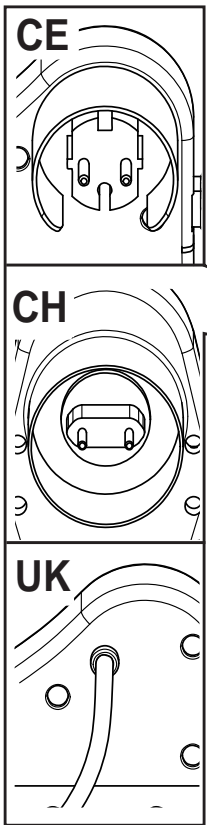
THIS INFORMATION IS NOT INTENDED FOR SALE OR RESALE, AND THIS NOTICE MUST REMAIN ON ALL COPIES.



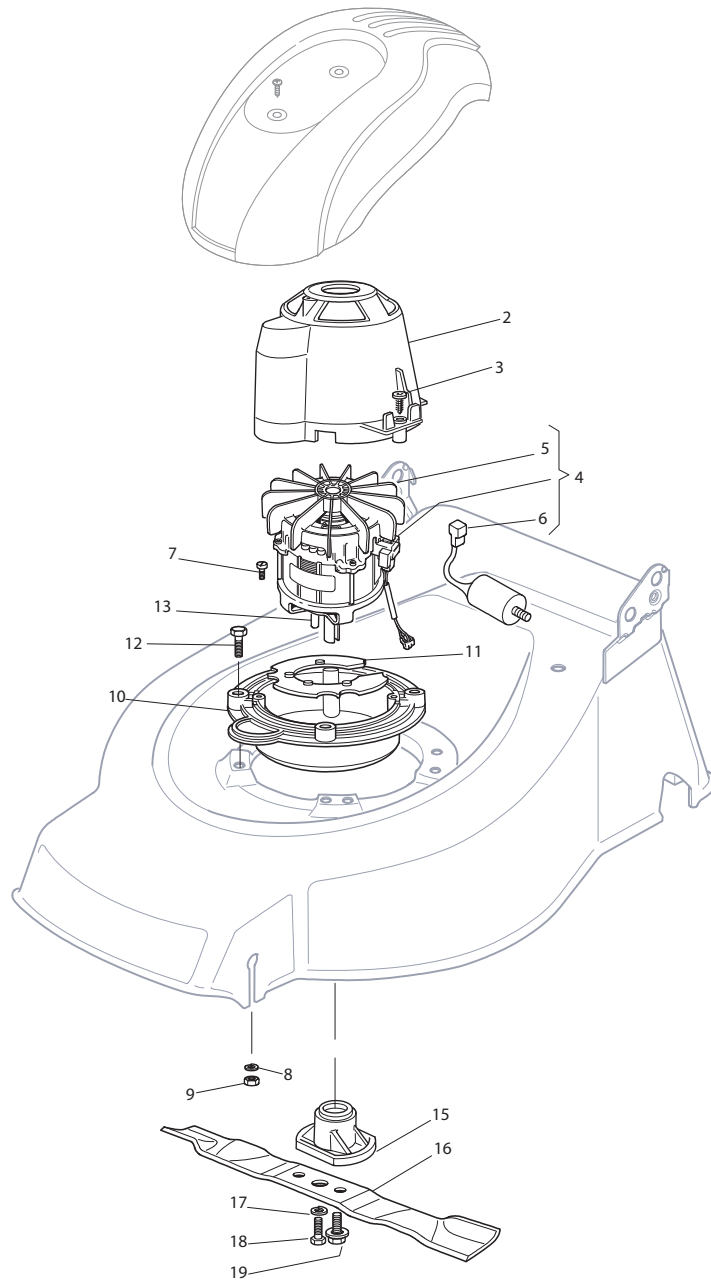
POS	PART. NO	Q.ty	DESCRIPTION	DESCRIZIONE	DESCRIPTION	BESCHREIBUNG	REMARKS
1	381001415/1	1	Deck Red	Chassis Rosso	Châssis Rouge	Gehäuse Rot	
2	112500070/0	3	Rivet	Rivetto	Rivet	Niete	
3	322735535/0	1	Sector, Height Adjustment	Settore Regolazione Altezza	Secteur Reglage Hauteur	Sektor, Höherstellung	
4	112728680/0	2	Screw	Vite	Vis	Schraube	
5	112523020/0	2	Washer	Rosetta	Rondelle	Scheibe	
6	122060171/0	1	Protection, Belt	Carter Cinghia	Protection Courroie	Schutz, Riemen	
7	322735508/0	1	Sector, Height Adjustment	Settore Regolazione Altezza	Secteur Reglage Hauteur	Sektor, Höherstellung	
8	381005102/0	2	Plate	Piastrina	Plaquette	Plättchen	
14	322484070/1	1	Muffler Guard	Paracalore	Grille De Protection	Schutzabdeckung	
21	112728680/0	2	Screw	Vite	Vis	Schraube	
22	112521350/0	4	Washer	Rosetta	Rondelle	Scheibe	
23	322600042/0	1	Protection, R	Prot. Manico Dx	Protection Mancheron D	Schutz,	
24	322600043/0	1	Protection, L	Prot. Manico Sx	Protection Mancheron G	Schutz, Linkerholm	
25	112691900/0	2	Screw	Vite	Vis	Schraube	
26	118566110/0	2	Cap	Puntale	Bouchon	Gummistopfen	
29	112819120/0	2	Screw	Vite	Vis	Schraube	
30	122680006/1	2	Washer	Rosetta	Rondelle	Scheibe	
31	122399900/0	2	Knob	Manopolina	Poignée	Griff	
32	112293200/0	2	Nut	Dado	Ecrou	Mutter	
33	181008606/1	1	Outfit, Screws	Dotazione Viteria	Dotation Visserie	Satz, Schrauben	
34	381006917/0	2	Handle, Lower Part	Parte Inf Maniglia	Poignée, Partie Inferieure	Griff, Unterteil	
51	122400000/1	2	Knob	Manopolina	Poignée	Griff	
52	322321502/1	1	Lever, Height Adjustment	Leva Regolazione Altezza	Levier Reglage Hauteur	Hebel, Höherstellung	
53	322321497/0	1	Lever, Height Adjustment	Leva Regolazione Altezza	Levier Reglage Hauteur	Hebel, Höherstellung	
54	112609260/0	1	Ring	Anello	Anneau	Ring	
55	122519510/0	1	Pin	Perno	Pivot	Bolzen	
56	381001408/0	1	Axle, Front Wheels	Asse Ruote Anteriori	Axe Roues Avant	Achse, Vorderrad	
57	122170950/0	1	R Spacer	Distanziale Dx	Entretoise D	Rechter Distanzring	
58	112523060/0	2	Washer	Rosetta	Rondelle	Scheibe	
59	112155000/0	2	Nut	Dado	Ecrou	Mutter	
60	112521350/0	2	Washer	Rosetta	Rondelle	Scheibe	
61	122519515/0	1	Pin	Perno	Pivot	Bolzen	
62	112521350/0	2	Washer	Rosetta	Rondelle	Scheibe	
68	112735402/0	4	Screw	Vite	Vis	Schraube	
69	322545152/0	2	Plate	Piastrina	Plaquette	Plättchen	
70	381000151/0	1	Axle, Rear Wheels	Asse Ruote Posteriore	Axe Roues Arriere	Achse, Hinterrad	
71	112530150/0	2	Elastic Washer	Disco Elastico	Disque Elastique	Federscheibe	



POS	PART. NO	Q.ty	DESCRIPTION	DESCRIZIONE	DESCRIPTION	BESCHREIBUNG	REMARKS
1	381007017/2	1	Handle, Upper Part	Manico, Parte Sup	Mancheron, Partie Superieure	Holm, Oberteil	
2	122192000/1	2	Clamp	Staffa	Etrier	Bride	
3	118710628/0	1	Dead Hand Switch	Salvatore	Int. Main Morte	Tot Manschalter	AUS/NZ Plag
3	381600500/2	1	Dead Hand Switch	Salvatore	Int. Main Morte	Tot Manschalter	UE Plag
3	381600501/2	1	Dead Hand Switch	Salvatore	Int. Main Morte	Tot Manschalter	CH Plag
3	381600502/2	1	Dead Hand Switch	Salvatore	Int. Main Morte	Tot Manschalter	UK Plag
4	112728701/0	2	Screw	Vite	Vis	Schraube	
5	322195101/4	1	Fairlead	Fermacavo	Fixation Cable	Kabelbefestigung	
6	122192151/0	1	Fairlead	Fermacavo	Fixation Cable	Kabelbefestigung	

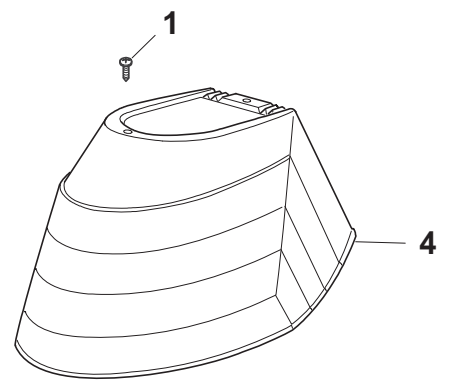
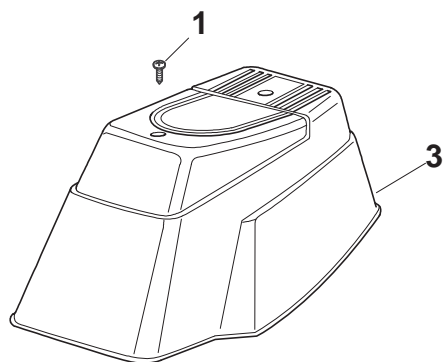
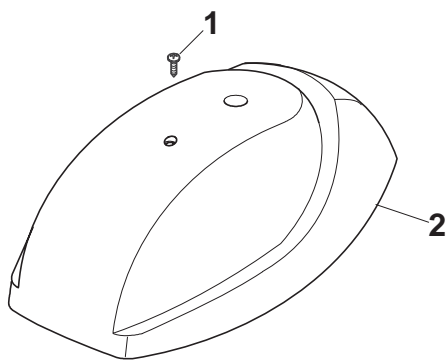


POS	PART. NO	Q.ty	DESCRIPTION	DESCRIZIONE	DESCRIPTION	BESCHREIBUNG	REMARKS
1	381007017/2	1	Handle, Upper Part	Manico, Parte Sup	Mancheron, Partie Superieur	Holm, Oberteil	
2	122192000/1	2	Clamp	Staffa	Etrier	Bride	
3	381600503/3	1	Dead Hand Switch	Salvatore	Int. Main Morte	Tot Manschalter	UE Plag
3	381600504/3	1	Dead Hand Switch	Salvatore	Int. Main Morte	Tot Manschalter	CH Plag
3	381600505/4	1	Dead Hand Switch	Salvatore	Int. Main Morte	Tot Manschalter	UK Plag
4	112728701/0	4	Screw	Vite	Vis	Schraube	
5	322195101/4	1	Fairlead	Fermacavo	Fixation Cable	Kabelbefestigung	
6	122010251/0	1	Rod, Fairlead Bearing	Asta Aggancio Fermacavo	Tige Support Serrecable	Stange, Kabelhalter	
7	322230350/1	1	Fulcrum Pin	Perno Fulcro	Pivot	Gelenkpunkt	
8	122450115/0	1	Spring	Molla	Ressort	Feder	
9	322785144/1	1	Support	Supporto	Support	Halter	
10	322322881/1	1	Lever, Engine Brake Black	Leva Freno Motore Nero	Levier Frein Moteur Noir	Hebel, Motorbremse Schwarz	
10	322322884/1	1	Lever, Engine Brake Red	Leva Freno Motore, Rosso	Levier Frein Moteur Rouge	Hebel, Motorbremse, Rot	
10	322322885/1	1	Lever, Engine Brake Yellow	Leva Freno Motore, Giallo	Levier Frein Moteur Jaune	Hebel, Motorbremse, Gelb	

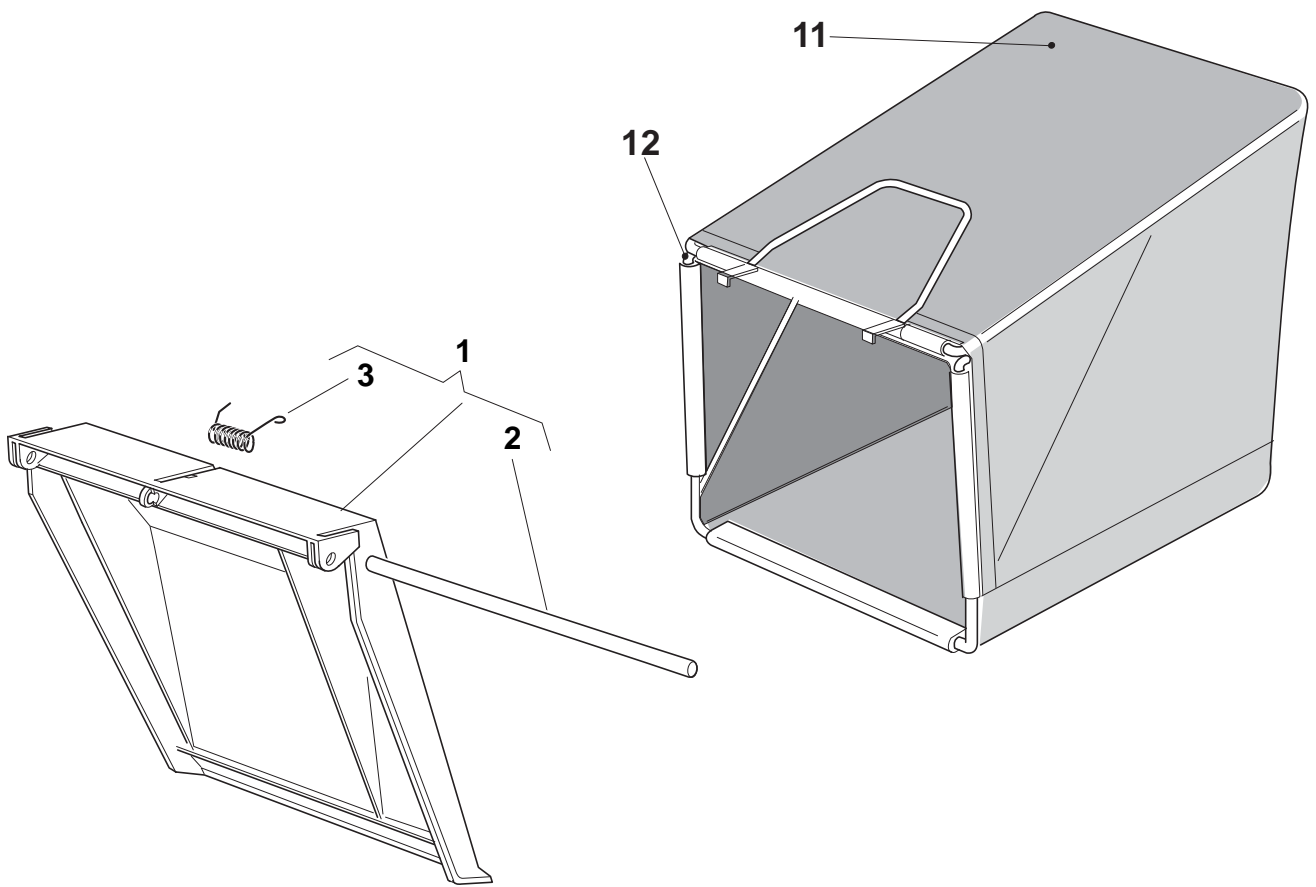




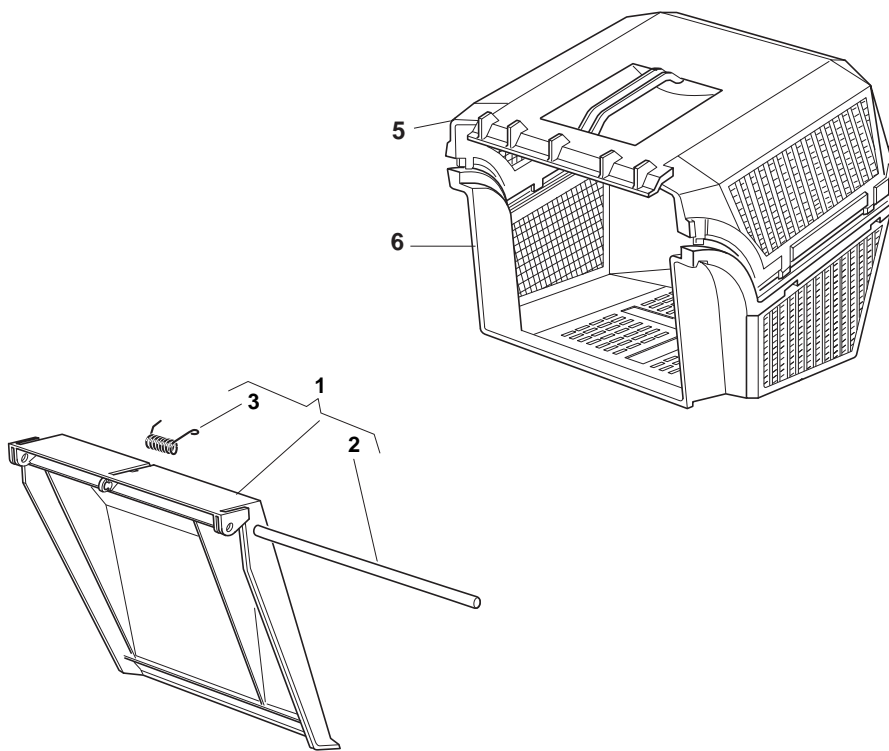
POS	PART. NO	Q.ty	DESCRIPTION	DESCRIZIONE	DESCRIPTION	BESCHREIBUNG	REMARKS
2	122785061/0	1	Support, Cover	Supporto Capottina	Support Capot	Halter, Haube	
3	112728710/0	4	Screw	Vite	Vis	Schraube	
4	118563605/0	1	Motor ATB	Motore ATB	Moteur ATB	Motor ATB	Atb 230V (1600W)
4	118563607/0	1	Motor ATB	Motore ATB	Moteur ATB	Motor ATB	Atb 240V (1600W)
4	118563665/0	1	Motor Leo	Motore Leo	Moteur Leo	Motor Leo	Leo 230V (1600W)
5	118740051/0	1	Fan Motor RST	Ventola Motore RST	Ventilateur Moteur RST	Lüfter Motor RST	
5	118740054/0	1	Fan Motor Atb	Ventola Per Motore Atb	Ventilateur Moteur Atb	Lüfter Motor Atb	
6	118222038/0	1	Condenser 20 µf	Condensatore 20 µf	Condenseur 20 µf	Kondensator 20 µf	
6	118222045/0	1	Condenser 16 µf	Condensatore 16 µf	Condenseur 16 µf	Kondensator 16 µf	
7	112735410/0	4	Screw	Vite	Vis	Schraube	
8	112583500/0	4	Grower	Grower	Grower	Federring	
9	112293200/0	4	Nut	Dado	Ecrou	Mutter	
10	322207202/2	1	Flange	Flangia	Bride	Flansch	
11	322720360/2	1	Ventilation Screen	Schermo	Ecran Ventilation	Lüftungschirm	
12	112691600/0	4	Screw	Vite	Vis	Schraube	
13	112139440/0	1	Feather	Linguetta	Clavette	Keil	
14	112523070/0	4	Washer	Rosetta	Rondelle	Scheibe	
15	322463187/3	1	Hub	Mozzo	Moyeu	Nabe	
16	181004341/3	1	Blade Standard	Coltello Standard	Lame Standard	Messer Standard	
16	181004396/0	1	Blade Winged	Coltello Alettato	Lame Ailettée	Messer Flügel	
17	112583500/0	2	Grower	Grower	Grower	Federring	
18	112793101/0	1	Screw	Vite	Vis	Schraube	
19	381004353/1	1	Screw	Vite	Vis	Schraube	
21	112728680/0	2	Screw	Vite	Vis	Schraube	



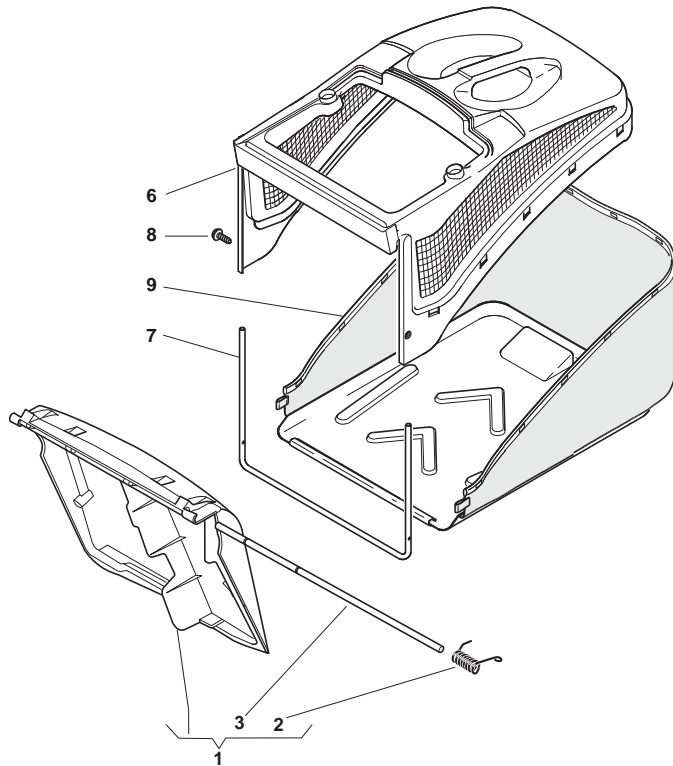
POS	PART. NO	Q.ty	DESCRIPTION	DESCRIZIONE	DESCRIPTION	BESCHREIBUNG	REMARKS
1	12728680/0	2	Screw	Vite	Vis	Schraube	
2	122055058/0	1	Cover	Capottina	Capot	Haube	
3	122055045/1	1	Cover	Capottina	Capot	Haube	
4	122055033/1	1	Cover	Capottina	Capot	Haube	



POS	PART. NO	Q.ty	DESCRIPTION	DESCRIZIONE	DESCRIPTION	BESCHREIBUNG	REMARKS
1	381008044/0	1	Stone-Guard	Parasassi	Pare-Pierres	Prallblech	
2	122517907/0	1	Pin	Perno	Pivot	Bolzen	
3	122450270/0	1	Spring	Molla	Ressort	Feder	
11	181002124/1	1	Box, Fabric	Sacco, Tela	Sac, Toile	Sack, Tuck	
12	181006430/0	1	Chassis Box	Telaio Sacco	Châssis Bac	Rahmen Sack	

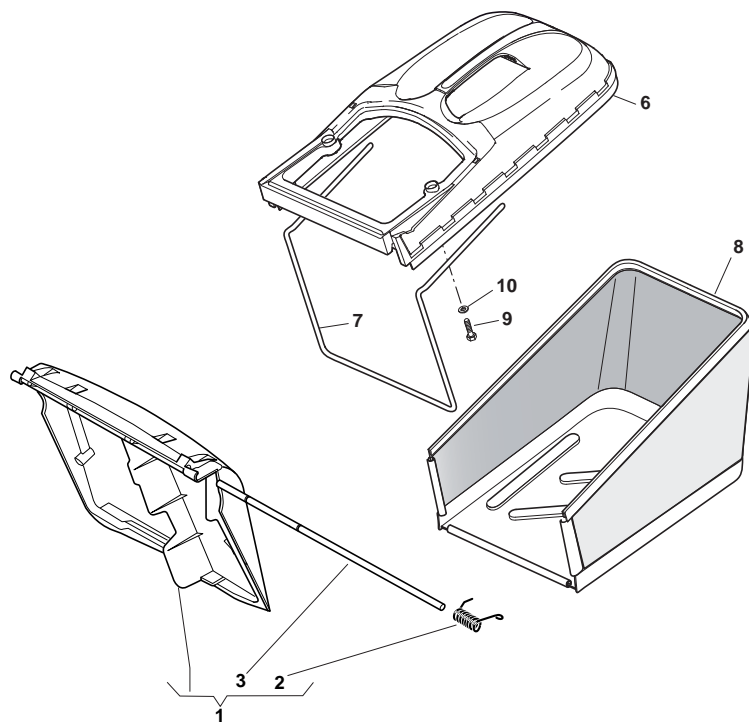


POS	PART. NO	Q.ty	DESCRIPTION	DESCRIZIONE	DESCRIPTION	BESCHREIBUNG	REMARKS
1	381008044/0	1	Stone-Guard	Parasassi	Pare-Pierres	Prallblech	
2	122517907/0	1	Pin	Perno	Pivot	Bolzen	
3	122450270/0	1	Spring	Molla	Ressort	Feder	
5	122486065/0	1	Grass-Box, Upper	Sacco, Parte Sup	Sac, Partie Superieure	Korb, Oberteil	
6	122486064/0	1	Grass-Box, Lower	Sacco, Parte Inf	Sac, Partie Inferieure	Korb, Unterteil	





POS	PART. NO	Q.ty	DESCRIPTION	DESCRIZIONE	DESCRIPTION	BESCHREIBUNG	REMARKS
1	381008042/0	1	Stone-Guard	Parasassi	Pare-Pierres	Prallblech	
2	122451000/0	1	Spring	Molla	Ressort	Feder	
3	122517907/0	1	Pin	Perno	Pivot	Bolzen	
6	122486094/0	1	Grass-Box, Upper	Sacco, Parte Sup	Sac, Partie Superieure	Korb, Oberteil	
7	122608524/0	1	Stiffening Lower	Rinforzo Inf	Réinforcement Inf	Verstärkung Untere	
8	112728445/0	2	Screw	Vite	Vis	Schraube	
9	181002196/0	1	Box, Fabric	Sacco, Tela	Sac, Toile	Sack, Tuck	



POS	PART. NO	Q.ty	DESCRIPTION	DESCRIZIONE	DESCRIPTION	BESCHREIBUNG	REMARKS
1	381008042/0	1	Stone-Guard	Parasassi	Pare-Pierres	Prallblech	
2	122451000/0	1	Spring	Molla	Ressort	Feder	
3	122517857/0	1	Pin	Perno	Pivot	Bolzen	
6	322486102/0	1	Grass-Box, Upper	Sacco, Parte Sup	Sac, Partie Superieure	Korb, Oberteil	
7	122608526/0	1	Stiffening Lower	Rinforzo Inf	Réinforcement Inf	Verstärkung Untere	
8	181002212/0	1	Box, Fabric	Sacco, Tela	Sac, Toile	Sack, Tuck	
9	112728680/0	2	Screw	Vite	Vis	Schraube	
10	112523050/0	2	Washer	Rosetta	Rondelle	Scheibe	