

ILLUSTRATED PARTS LIST

NP 534 TR 3S NP 534 TR-E 3S

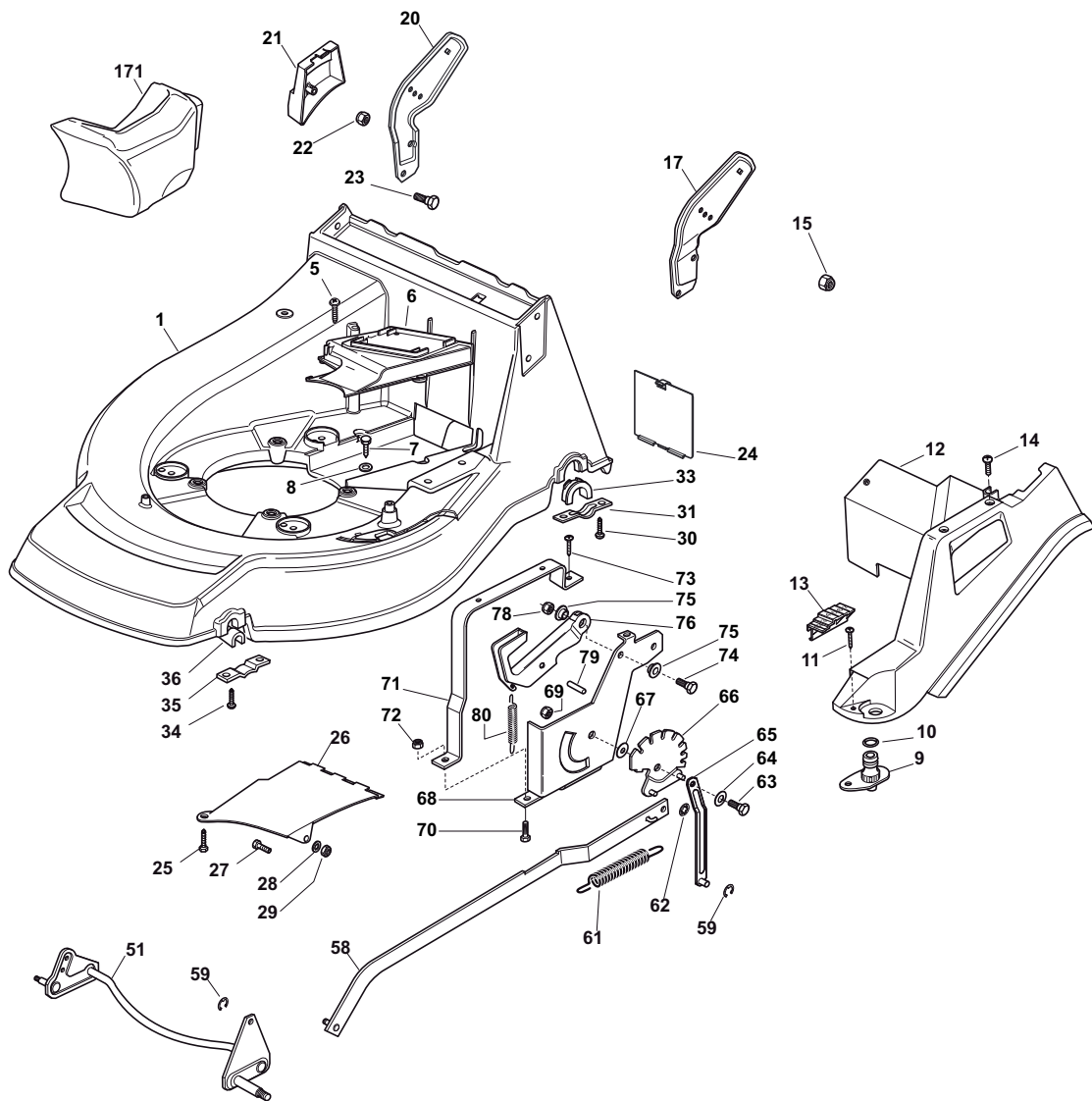


- Use GLOBAL GARDEN PRODUCT Genuine Spare Parts specified in the parts list for repair and/or replacement.
- The contents described in the parts list may change due to improvement.
- The drawings of the spare parts are only indicative and might not represent the part in question exactly.
- The indications "right" - "left" - "front" - "rear" refer to the position of the operator when using the machine.
- When placing orders of parts for repair and/or replacement, make sure that the illustrated parts list is the one applying to the machine's year of manufacture, as shown on the identification plate attached to the machine.

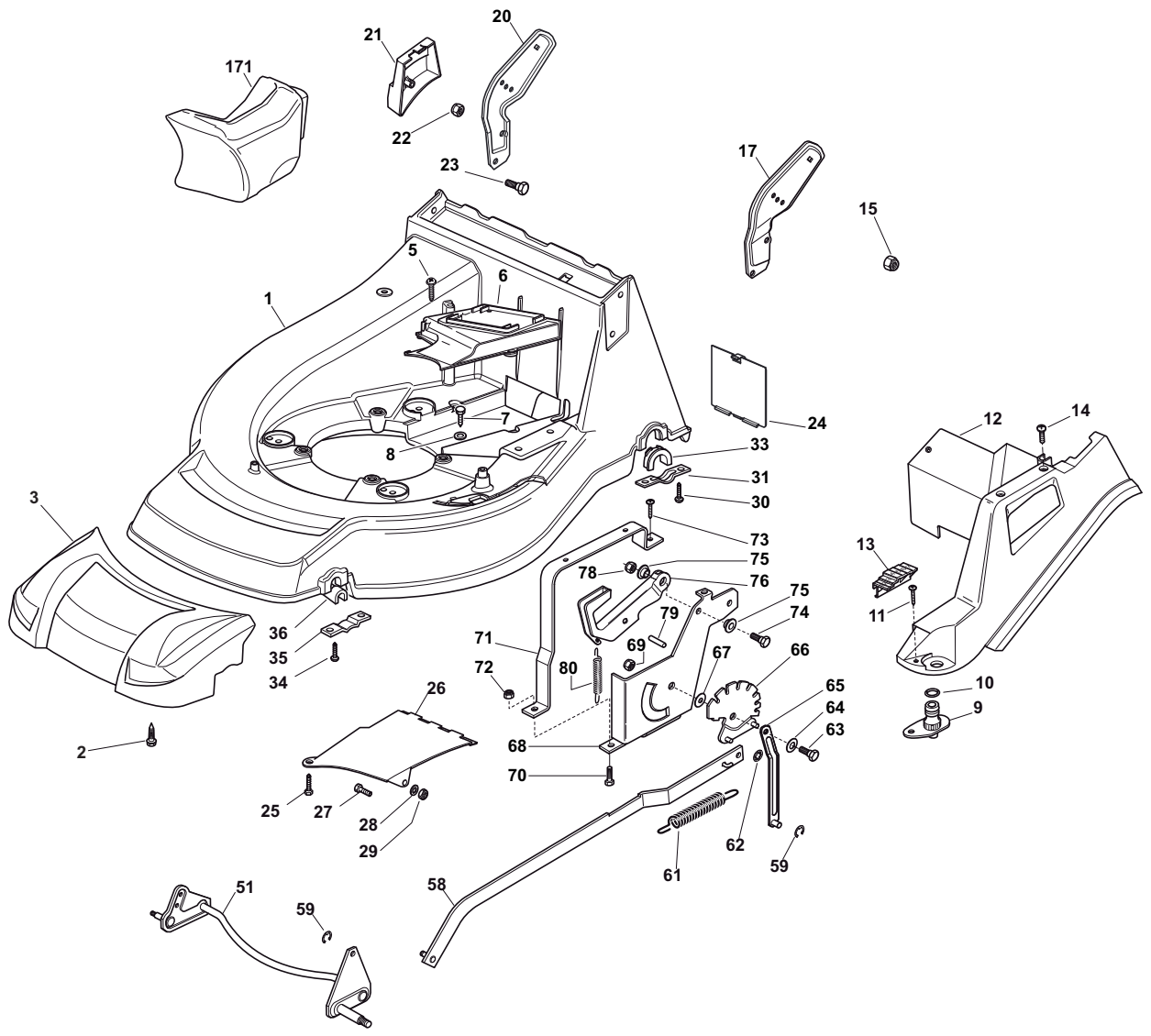
© Copyright 2013 Global Garden Products

All content is subject to copyright by Global Garden Products and may not be reproduced in whole or in part by any means, electronic or otherwise, without prior written approval.

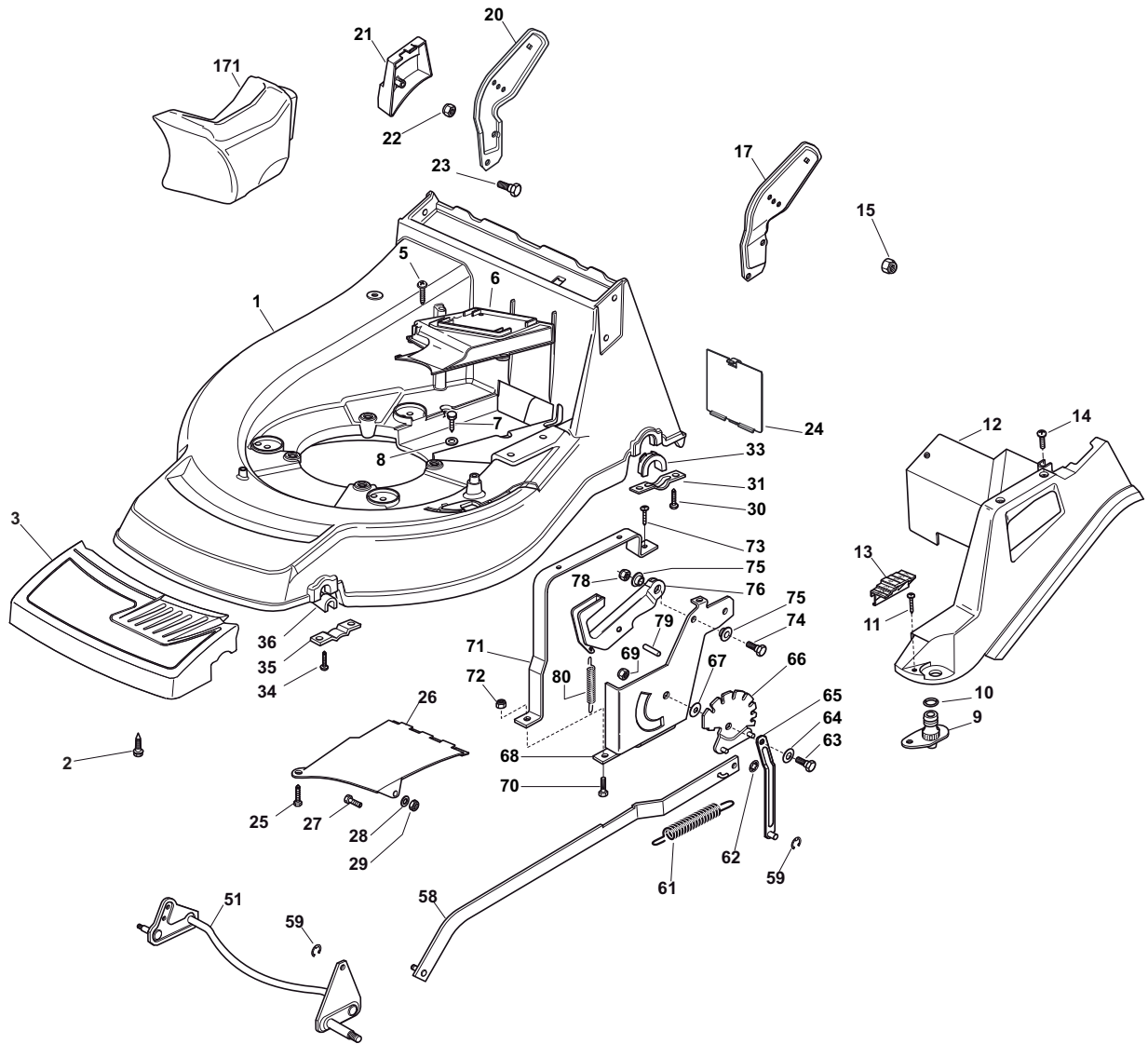
THIS INFORMATION IS NOT INTENDED FOR SALE OR RESALE, AND THIS NOTICE MUST REMAIN ON ALL COPIES.



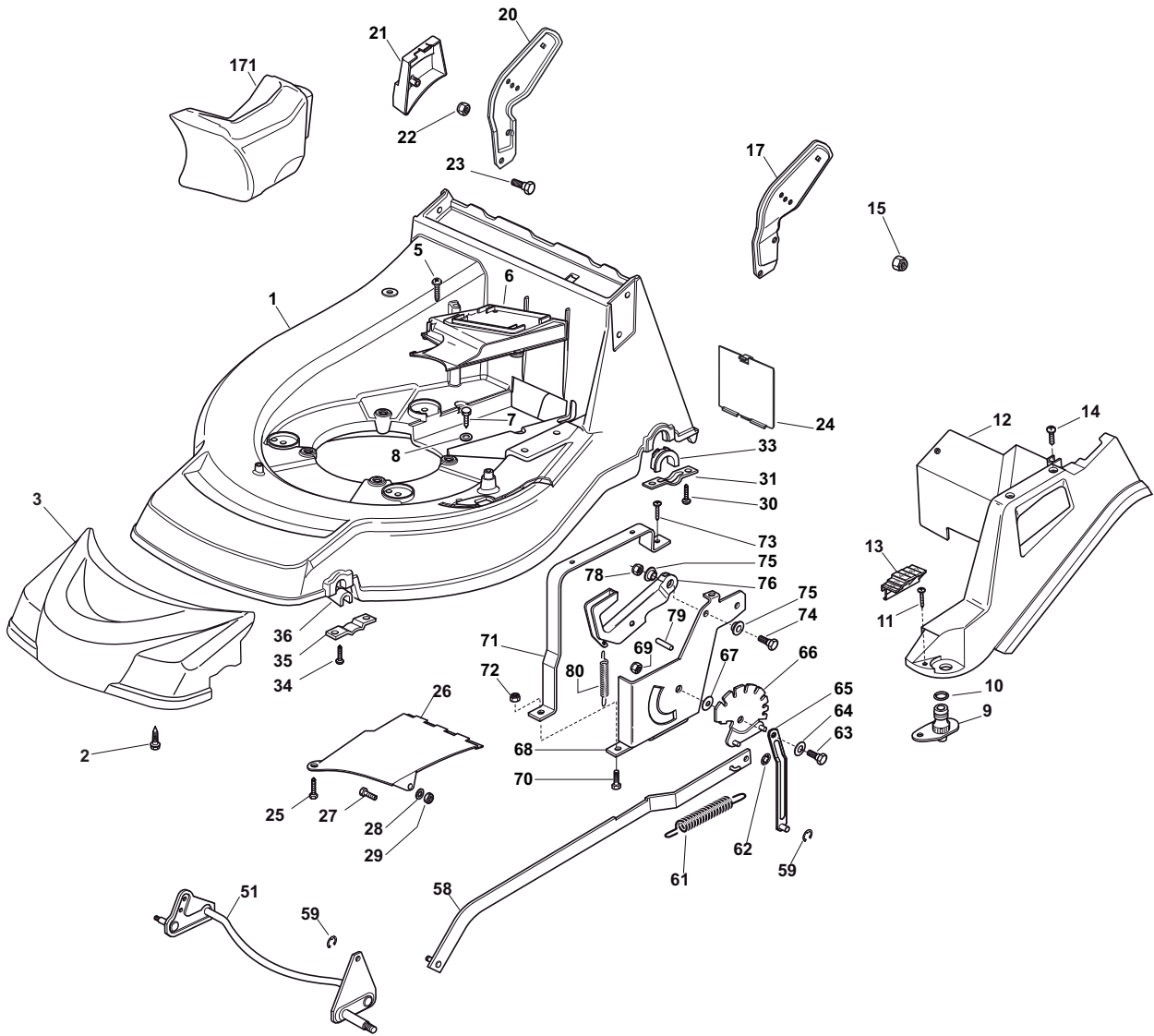
POS	PART. NO	Q.ty	DESCRIPTION	DESCRIZIONE	DESCRIPTION	BESCHREIBUNG	REMARKS
1	381003543/1	1	Deck Red	Chassis Rosso	Châssis Rouge	Gehäuse Rot	
5	112728522/0	2	Screw	Vite	Vis	Schraube	
6	322060200/1	1	Protection, Belt	Carter Cinghia	Protection Courroire	Schutz, Riemen	Not For BBC Models
7	112731350/0	1	Screw	Vite	Vis	Schraube	
8	112523040/0	2	Washer	Rosetta	Rondelle	Scheibe	
9	122034000/0	1	Washing Connection	Attacco Acqua Lavaggio	Attaque Lavage	Waschenverbindung	
10	119035000/0	1	Or Ring	Anello Or	Bague Or	Ring Or	
11	112728519/0	3	Screw	Vite	Vis	Schraube	
12	322060144/3	1	Deck, Adjustment	Carter Regolazione	Châssis Reglage	Gehäuse	
13	122570200/0	1	Plate, Cutting Positions	Placchetta Posizioni	Plaquette Reglage	Platte, Höheverstellung	
14	112728520/0	1	Screw	Vite	Vis	Schraube	
15	112155000/0	2	Nut	Dado	Ecrou	Mutter	
17	322778397/1	1	Bracket, L	Staffa Sx	Etrier Gauche	Steigbügel, Linke	
20	322778396/1	1	Bracket, R	Staffa Dx	Etrier Droit	Steigbügel, Rechte	
21	122601001/0	1	Protection	Cappuccio	Capuchon	Stecker	
22	112155000/0	2	Nut	Dado	Ecrou	Mutter	
23	112793301/0	2	Screw	Vite	Vis	Schraube	
24	122595352/0	1	Inspection Door	Portina Chiusura	Voyant De Visite	Abdeckplatte	
25	112731350/0	1	Screw	Vite	Vis	Schraube	
26	322108205/0	1	Conveyor	Convogliatore	Convoyeur	Konveyor	
27	112789000/0	1	Screw	Vite	Vis	Schraube	
28	112523020/0	1	Washer	Rosetta	Rondelle	Scheibe	
29	112154330/0	1	Nut	Dado	Ecrou	Mutter	
30	112731350/0	4	Screw	Vite	Vis	Schraube	
31	322545147/0	2	Plate	Piastrina	Plaquette	Plättchen	
33	322038407/0	2	Brass	Bronzina	Douille	Buchse	
34	112731350/0	4	Screw	Vite	Vis	Schraube	
35	322545156/0	2	Plate	Piastrina	Plaquette	Plättchen	
36	122038400/1	2	Brass	Bronzina	Douille	Buchse	
51	381302865/0	1	Axle, Front Wheels	Asse Ruote Anteriori	Axe Roues Avant	Achse, Vorderrad	
58	381002040/1	1	Rod, Height Adjustment	Asta Comando Regol. Altezza	Tige Commande Reglage Hauteur	Stange, Höheverstellung	B&S-GGP
58	381002040/1	1	Rod, Height Adjustment	Asta Comando Regol. Altezza	Tige Commande Reglage Hauteur	Stange, Höheverstellung	Honda
59	112000930/0	2	Snap Ring	Anello Elastico	Anneau Ressort	Sprengring	
61	122446187/0	1	Spring	Molla	Ressort	Feder	
62	112604899/0	2	Crown Fastener	Fissatore A Corona	Fixateur A Couronne	Kronescheibe	
63	122529662/0	1	Fulcrum Pin	Perno Fulcro	Pivot	Gelenkpunkt	
64	322672151/0	1	Washer	Rosetta	Rondelle	Scheibe	
65	381001269/0	1	Rod, Rear Wheels Axle	Asta Asse Posteriore	Tige, Axe Roue Arrieres	Stange, Hinterradachse	
66	381000479/2	1	Sector, Height Adjustment	Settore Regolazione Altezza	Secteur Reglage Hauteur	Sektor, Höheverstellung	
67	322672152/0	1	Washer	Rosetta	Rondelle	Scheibe	
68	322785109/0	1	Support, Height Adjustment	Supporto Regolazione Altezza	Support Reglage	Halter, Höheverstellung	
69	112155000/0	1	Nut	Dado	Ecrou	Mutter	
70	112793301/0	2	Screw	Vite	Vis	Schraube	
71	322785113/0	1	Support, Handle	Supporto Maniglia	Support Poignée	Halter, Griff	
72	112293201/0	2	Nut	Dado	Ecrou	Mutter	
73	112729600/0	1	Screw	Vite	Vis	Schraube	
74	112793301/0	1	Screw	Vite	Vis	Schraube	
75	125038002/1	2	Bush	Bussola	Douille	Büchse	
76	322393611/2	1	Handle	Maniglia	Poignée	Griff	
78	112293201/0	1	Nut	Dado	Ecrou	Mutter	
79	112622640/0	1	Pin	Perno	Pivot	Bolzen	
80	122446175/0	1	Spring	Molla	Ressort	Feder	
171	322140224/0	1	Cap	Puntale	Bouchon	Gummistopfen	



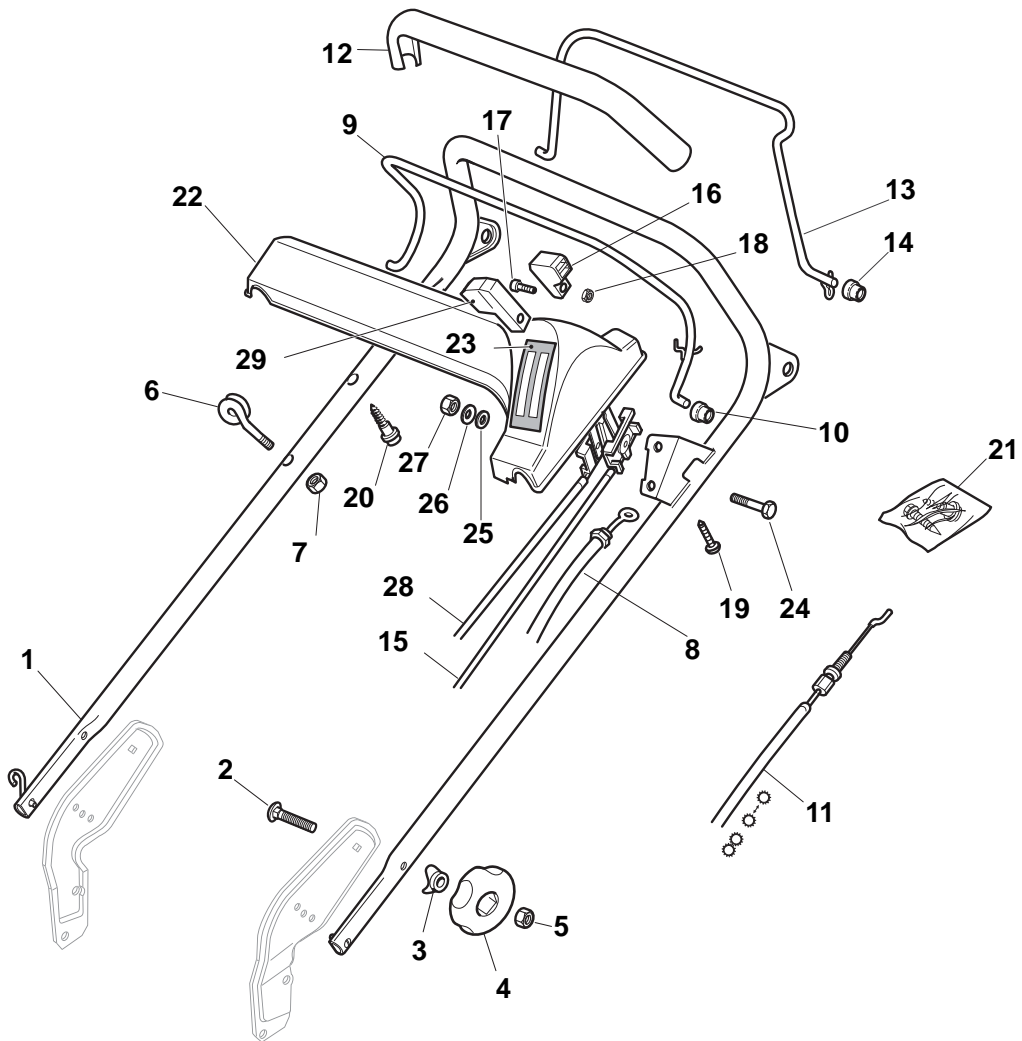
POS	PART. NO	Q.ty	DESCRIPTION	DESCRIZIONE	DESCRIPTION	BESCHREIBUNG	REMARKS
1	381003543/1	1	Deck Red	Chassis Rosso	Châssis Rouge	Gehäuse Rot	
2	112735420/0	4	Screw	Vite	Vis	Schraube	
3	322226112/1	1	Mask, Grey	Mascherina, Grigio	Mesque	Maske	
5	112728522/0	2	Screw	Vite	Vis	Schraube	
6	322060200/1	1	Protection, Belt	Carter Cinghia	Protection Courroire	Schutz, Riemen	Not For BBC Models
7	112731350/0	1	Screw	Vite	Vis	Schraube	
8	112523040/0	2	Washer	Rosetta	Rondelle	Scheibe	
9	122034000/0	1	Washing Connection	Attacco Acqua Lavaggio	Attaque Lavage	Waschenverbindung	
10	119035000/0	1	Or Ring	Anello Or	Bague Or	Ring Or	
11	112728519/0	3	Screw	Vite	Vis	Schraube	
12	322060144/3	1	Deck, Adjustment	Carter Regolazione	Châssis Reglage	Gehäuse	
13	122570200/0	1	Plate, Cutting Positions	Placchetta Posizioni	Plaquette Reglage	Platte, Höherstellung	
14	112728520/0	1	Screw	Vite	Vis	Schraube	
15	112155000/0	2	Nut	Dado	Ecrou	Mutter	
17	322778397/1	1	Bracket, L	Staffa Sx	Etrier Gauche	Steigbügel, Linke	
20	322778396/1	1	Bracket, R	Staffa Dx	Etrier Droit	Steigbügel, Rechte	
21	122601001/0	1	Protection	Cappuccio	Capuchon	Stecker	
22	112155000/0	2	Nut	Dado	Ecrou	Mutter	
23	112793301/0	2	Screw	Vite	Vis	Schraube	
24	122595352/0	1	Inspection Door	Portina Chiusura	Voyant De Visite	Abdeckplatte	
25	112731350/0	1	Screw	Vite	Vis	Schraube	
26	322108205/0	1	Conveyor	Convogliatore	Convoyeur	Konveyor	
27	112789000/0	1	Screw	Vite	Vis	Schraube	
28	112523020/0	1	Washer	Rosetta	Rondelle	Scheibe	
29	112154330/0	1	Nut	Dado	Ecrou	Mutter	
30	112731350/0	4	Screw	Vite	Vis	Schraube	
31	322545147/0	2	Plate	Piastrina	Plaquette	Plättchen	
33	322038407/0	2	Brass	Bronzina	Douille	Buchse	
34	112731350/0	4	Screw	Vite	Vis	Schraube	
35	322545156/0	2	Plate	Piastrina	Plaquette	Plättchen	
36	122038400/1	2	Brass	Bronzina	Douille	Buchse	
51	381302865/0	1	Axle, Front Wheels	Asse Ruote Anteriori	Axe Roues Avant	Achse, Vorderrad	
58	381002040/1	1	Rod, Height Adjustment	Asta Comando Regol. Altezza	Tige Commande Reglage Hauteur	Stange, Höherstellung	B&S-GGP
58	381002040/1	1	Rod, Height Adjustment	Asta Comando Regol. Altezza	Tige Commande Reglage Hauteur	Stange, Höherstellung	Honda
59	112000930/0	2	Snap Ring	Anello Elastico	Anneau Ressort	Sprengring	
61	122446187/0	1	Spring	Molla	Ressort	Feder	
62	112604899/0	2	Crown Fastener	Fissatore A Corona	Fixateur A Couronne	Kronescheibe	
63	122529662/0	1	Fulcrum Pin	Perno Fulcro	Pivot	Gelenkpunkt	
64	322672151/0	1	Washer	Rosetta	Rondelle	Scheibe	
65	381001269/0	1	Rod, Rear Wheels Axle	Asta Asse Posteriore	Tige, Axe Roue Arrieres	Stange, Hinterradachse	
66	381000479/2	1	Sector, Height Adjustment	Settore regolazione Altezza	Secteur Reglage Hauteur	Sektor, Höherstellung	
67	322672152/0	1	Washer	Rosetta	Rondelle	Scheibe	
68	322785109/0	1	Support, Height Adjustment	Supporto regolazione Altezza	Support Reglage	Halter, Höherstellung	
69	112155000/0	1	Nut	Dado	Ecrou	Mutter	
70	112793301/0	2	Screw	Vite	Vis	Schraube	
71	322785113/0	1	Support, Handle	Supporto Maniglia	Support Poignée	Halter, Griff	
72	112293201/0	2	Nut	Dado	Ecrou	Mutter	
73	112729600/0	1	Screw	Vite	Vis	Schraube	
74	112793301/0	1	Screw	Vite	Vis	Schraube	
75	125038002/1	2	Bush	Bussola	Douille	Büchse	
76	322393611/2	1	Handle	Maniglia	Poignée	Griff	
78	112293201/0	1	Nut	Dado	Ecrou	Mutter	
79	112622640/0	1	Pin	Perno	Pivot	Bolzen	
80	122446175/0	1	Spring	Molla	Ressort	Feder	
171	322140224/0	1	Cap	Puntale	Bouchon	Gummistopfen	



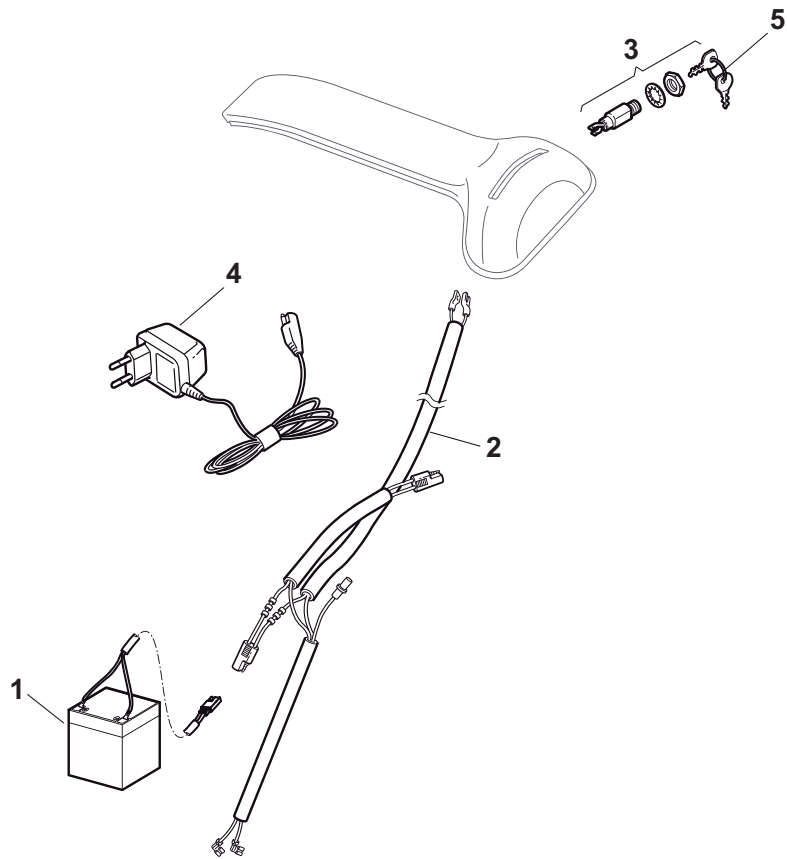
POS	PART. NO	Q.ty	DESCRIPTION	DESCRIZIONE	DESCRIPTION	BESCHREIBUNG	REMARKS
1	381003543/1	1	Deck Red	Chassis Rosso	Châssis Rouge	Gehäuse Rot	
2	112735420/0	4	Screw	Vite	Vis	Schraube	
3	122226050/0	1	Mask, Black	Mascherina, Nero	Mesque, Noir	Maske, Schwarz	
5	112728522/0	2	Screw	Vite	Vis	Schraube	
6	322060200/1	1	Protection, Belt	Carter Cinghia	Protection Courroire	Schutz, Riemen	Not For BBC Models
7	112731350/0	1	Screw	Vite	Vis	Schraube	
8	112523040/0	2	Washer	Rosetta	Rondelle	Scheibe	
9	122034000/0	1	Washing Connection	Attacco Acqua Lavaggio	Attaque Lavage	Waschenverbindung	
10	119035000/0	1	Or Ring	Anello Or	Bague Or	Ring Or	
11	112728519/0	3	Screw	Vite	Vis	Schraube	
12	322060144/3	1	Deck, Adjustment	Carter Regolazione	Châssis Reglage	Gehäuse	
13	122570200/0	1	Plate, Cutting Positions	Placchetta Posizioni	Plaquette Reglage	Platte, Höheverstellung	
14	112728520/0	1	Screw	Vite	Vis	Schraube	
15	112155000/0	2	Nut	Dado	Ecrou	Mutter	
17	322778397/1	1	Bracket, L	Staffa Sx	Etrier Gauche	Steigbügel, Linke	
20	322778396/1	1	Bracket, R	Staffa Dx	Etrier Droit	Steigbügel, Rechte	
21	122601001/0	1	Protection	Cappuccio	Capuchon	Stecker	
22	112155000/0	2	Nut	Dado	Ecrou	Mutter	
23	112793301/0	2	Screw	Vite	Vis	Schraube	
24	122595352/0	1	Inspection Door	Portina Chiusura	Voyant De Visite	Abdeckplatte	
25	112731350/0	1	Screw	Vite	Vis	Schraube	
26	322108205/0	1	Conveyor	Convogliatore	Convoyeur	Konveyor	
27	112789000/0	1	Screw	Vite	Vis	Schraube	
28	112523020/0	1	Washer	Rosetta	Rondelle	Scheibe	
29	112154330/0	1	Nut	Dado	Ecrou	Mutter	
30	112731350/0	4	Screw	Vite	Vis	Schraube	
31	322545147/0	2	Plate	Piastrina	Plaquette	Plättchen	
33	322038407/0	2	Brass	Bronzina	Douille	Buchse	
34	112731350/0	4	Screw	Vite	Vis	Schraube	
35	322545156/0	2	Plate	Piastrina	Plaquette	Plättchen	
36	122038400/1	2	Brass	Bronzina	Douille	Buchse	
51	381302865/0	1	Axle, Front Wheels	Asse Ruote Anteriori	Axe Roues Avant	Achse, Vorderrad	
58	381002040/1	1	Rod, Height Adjustment	Asta Comando Regol. Altezza	Tige Commande Reglage Hauteur	Stange, Höheverstellung	B&S-GGP
58	381002040/1	1	Rod, Height Adjustment	Asta Comando Regol. Altezza	Tige Commande Reglage Hauteur	Stange, Höheverstellung	Honda
59	112000930/0	2	Snap Ring	Anello Elastico	Anneau Ressort	Sprengring	
61	122446187/0	1	Spring	Molla	Ressort	Feder	
62	112604899/0	2	Crown Fastener	Fissatore A Corona	Fixateur A Couronne	Kronescheibe	
63	122529662/0	1	Fulcrum Pin	Perno Fulcro	Pivot	Gelenkpunkt	
64	322672151/0	1	Washer	Rosetta	Rondelle	Scheibe	
65	381001269/0	1	Rod, Rear Wheels Axle	Asta Asse Posteriore	Tige, Axe Roue Arrieres	Stange, Hinterradachse	
66	381000479/2	1	Sector, Height Adjustment	Settore Regolazione Altezza	Secteur Reglage Hauteur	Sektor, Höheverstellung	
67	322672152/0	1	Washer	Rosetta	Rondelle	Scheibe	
68	322785109/0	1	Support, Height Adjustment	Supporto Regolazione Altezza	Support Reglage	Halter, Höheverstellung	
69	112155000/0	1	Nut	Dado	Ecrou	Mutter	
70	112793301/0	2	Screw	Vite	Vis	Schraube	
71	322785113/0	1	Support, Handle	Supporto Maniglia	Support Poignée	Halter, Griff	
72	112293201/0	2	Nut	Dado	Ecrou	Mutter	
73	112729600/0	1	Screw	Vite	Vis	Schraube	
74	112793301/0	1	Screw	Vite	Vis	Schraube	
75	125038002/1	2	Bush	Bussola	Douille	Büchse	
76	322393611/2	1	Handle	Maniglia	Poignée	Griff	
78	112293201/0	1	Nut	Dado	Ecrou	Mutter	
79	112622640/0	1	Pin	Perno	Pivot	Bolzen	
80	122446175/0	1	Spring	Molla	Ressort	Feder	
171	322140224/0	1	Cap	Puntale	Bouchon	Gummistopfen	



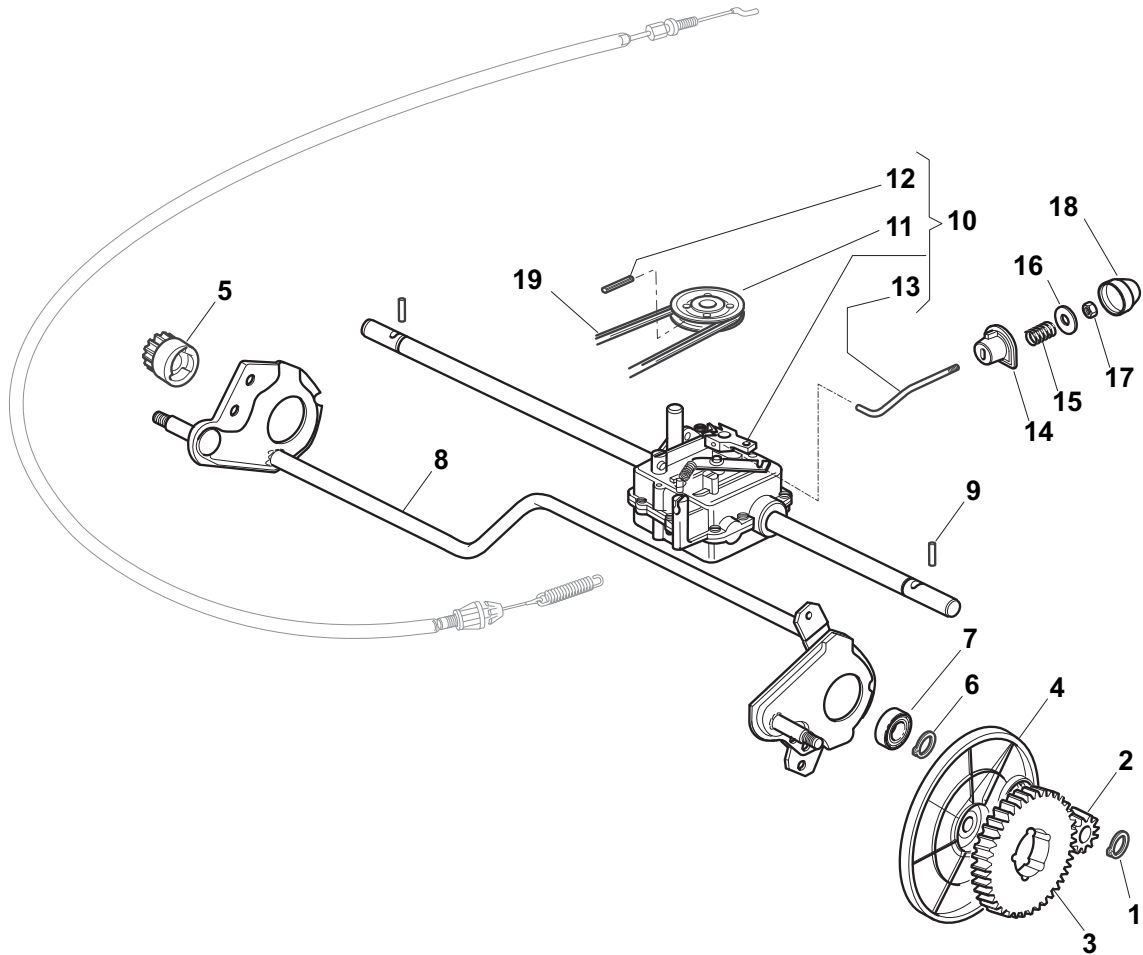
POS	PART. NO	Q.ty	DESCRIPTION	DESCRIZIONE	DESCRIPTION	BESCHREIBUNG	REMARKS
1	381003543/1	1	Deck Red	Chassis Rosso	Châssis Rouge	Gehäuse Rot	
2	112735420/0	4	Screw	Vite	Vis	Schraube	
3	322226124/0	1	Mask, Black	Mascherina, Nero	Mesque, Noir	Maske, Schwarz	
5	112728522/0	2	Screw	Vite	Vis	Schraube	
6	322060200/1	1	Protection, Belt	Carter Cinghia	Protection Courroire	Schutz, Riemen	Not For BBC Models
7	112731350/0	1	Screw	Vite	Vis	Schraube	
8	112523040/0	2	Washer	Rosetta	Rondelle	Scheibe	
9	122034000/0	1	Washing Connection	Attacco Acqua Lavaggio	Attaque Lavage	Waschenverbindung	
10	119035000/0	1	Or Ring	Anello Or	Bague Or	Ring Or	
11	112728519/0	3	Screw	Vite	Vis	Schraube	
12	322060144/3	1	Deck, Adjustment	Carter Regolazione	Châssis Reglage	Gehäuse	
13	122570200/0	1	Plate, Cutting Positions	Placchetta Posizioni	Plaquette Reglage	Platte, Höherstellung	
14	112728520/0	1	Screw	Vite	Vis	Schraube	
15	112155000/0	2	Nut	Dado	Ecrou	Mutter	
17	322778397/1	1	Bracket, L	Staffa Sx	Etrier Gauche	Steigbügel, Linke	
20	322778396/1	1	Bracket, R	Staffa Dx	Etrier Droit	Steigbügel, Rechte	
21	122601001/0	1	Protection	Cappuccio	Capuchon	Stecker	
22	112155000/0	2	Nut	Dado	Ecrou	Mutter	
23	112793301/0	2	Screw	Vite	Vis	Schraube	
24	122595352/0	1	Inspection Door	Portina Chiusura	Voyant De Visite	Abdeckplatte	
25	112731350/0	1	Screw	Vite	Vis	Schraube	
26	322108205/0	1	Conveyor	Convogliatore	Convoyeur	Konveyor	
27	112789000/0	1	Screw	Vite	Vis	Schraube	
28	112523020/0	1	Washer	Rosetta	Rondelle	Scheibe	
29	112154330/0	1	Nut	Dado	Ecrou	Mutter	
30	112731350/0	4	Screw	Vite	Vis	Schraube	
31	322545147/0	2	Plate	Piastrina	Plaquette	Plättchen	
33	322038407/0	2	Brass	Bronzina	Douille	Buchse	
34	112731350/0	4	Screw	Vite	Vis	Schraube	
35	322545156/0	2	Plate	Piastrina	Plaquette	Plättchen	
36	122038400/1	2	Brass	Bronzina	Douille	Buchse	
51	381302865/0	1	Axle, Front Wheels	Asse Ruote Anteriori	Axe Roues Avant	Achse, Vorderrad	
58	381002040/1	1	Rod, Height Adjustment	Asta Comando Regol. Altezza	Tige Commande Reglage Hauteur	Stange, Höherstellung	B&S-GGP
58	381002040/1	1	Rod, Height Adjustment	Asta Comando Regol. Altezza	Tige Commande Reglage Hauteur	Stange, Höherstellung	Honda
59	112000930/0	2	Snap Ring	Anello Elastico	Anneau Ressort	Sprengring	
61	122446187/0	1	Spring	Molla	Ressort	Feder	
62	112604899/0	2	Crown Fastener	Fissatore A Corona	Fixateur A Couronne	Kronescheibe	
63	122529662/0	1	Fulcrum Pin	Perno Fulcro	Pivot	Gelenkpunkt	
64	322672151/0	1	Washer	Rosetta	Rondelle	Scheibe	
65	381001269/0	1	Rod, Rear Wheels Axle	Asta Asse Posteriore	Tige, Axe Roue Arrieres	Stange, Hinterradachse	
66	381000479/2	1	Sector, Height Adjustment	Settore Regolazione Altezza	Secteur Reglage Hauteur	Sektor, Höherstellung	
67	322672152/0	1	Washer	Rosetta	Rondelle	Scheibe	
68	322785109/0	1	Support, Height Adjustment	Supporto Regolazione Altezza	Support Reglage	Halter, Höherstellung	
69	112155000/0	1	Nut	Dado	Ecrou	Mutter	
70	112793301/0	2	Screw	Vite	Vis	Schraube	
71	322785113/0	1	Support, Handle	Supporto Maniglia	Support Poignée	Halter, Griff	
72	112293201/0	2	Nut	Dado	Ecrou	Mutter	
73	112729600/0	1	Screw	Vite	Vis	Schraube	
74	112793301/0	1	Screw	Vite	Vis	Schraube	
75	125038002/1	2	Bush	Bussola	Douille	Büchse	
76	322393611/2	1	Handle	Maniglia	Poignée	Griff	
78	112293201/0	1	Nut	Dado	Ecrou	Mutter	
79	112622640/0	1	Pin	Perno	Pivot	Bolzen	
80	122446175/0	1	Spring	Molla	Ressort	Feder	
171	322140224/0	1	Cap	Puntale	Bouchon	Gummistopfen	



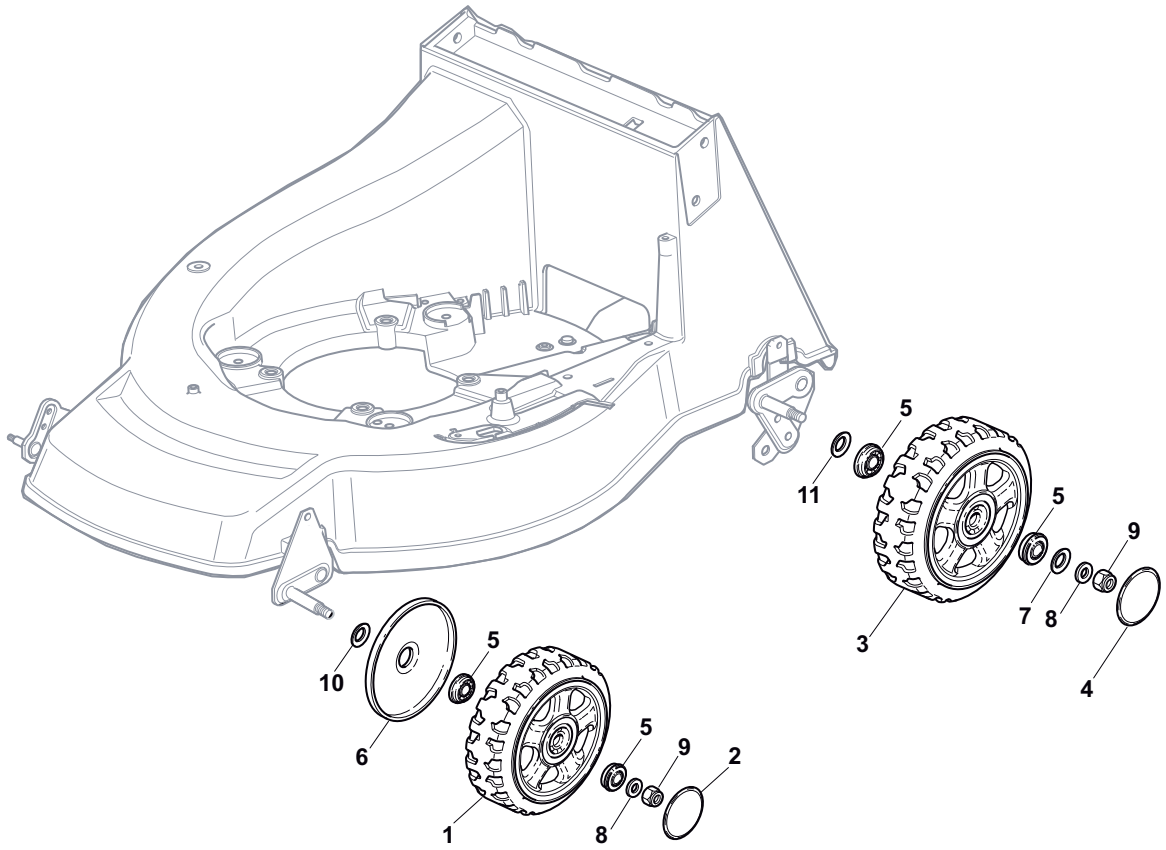
POS	PART. NO	Q.ty	DESCRIPTION	DESCRIZIONE	DESCRIPTION	BESCHREIBUNG	REMARKS
1	381007028/1	1	Handle, Upper Part	Manico, Parte Sup	Mancheron, Partie Superieure	Holm, Oberteil	
2	112819105/0	2	Screw	Vite	Vis	Schraube	
3	122671651/0	2	Washer	Rosetta	Rondelle	Scheibe	
4	122399804/1	2	Knob	Manopolina	Poignée	Griff	
5	112293200/0	2	Nut	Dado	Ecrou	Mutter	
6	122430309/0	1	Spring	Molla	Ressort	Feder	
7	112154330/0	1	Nut	Dado	Ecrou	Mutter	
8	181000616/1	1	Cable, Thread Engine Brake	Cavo Freno Motore	Cable Frein Moteur	Kabel, Motorbremse	Honda
8	181000629/1	1	Cable, Thread Engine Brake	Cavo Freno Motore	Cable Frein Moteur	Kabel, Motorbremse	Tecumseh
8	181000631/0	1	Cable, Thread Engine Brake	Cavo Freno Motore	Cable Frein Moteur	Kabel, Motorbremse	GGP
8	181000634/0	1	Cable, Thread Engine Brake	Cavo Freno Motore	Cable Frein Moteur	Kabel, Motorbremse	QUANTUM
8	181000757/0	1	Cable, Thread Engine Brake	Cavo Freno Motore	Cable Frein Moteur	Kabel, Motorbremse	B&S
8	181030006/0	1	Cable, Thread Engine Brake	Cavo Freno Motore	Cable Frein Moteur	Kabel, Motorbremse	DOV
9	181003291/3	1	Lever, Engine Brake	Leva Freno Motore	Levier Frein Moteur	Hebel, Motorbremse	
10	122041966/0	2	Bush	Bussola	Douille	Büchse	
11	381000670/0	1	Cable, Rear Drive	Cavo Comando Trazione	Câble, Comm. Traction	Kabel, Antrieb	
12	122291050/0	1	Handgrip Black	Impugnatura Manico Nera	Poignée Noir	Handgriff Schwarz	
13	181003288/1	1	Lever, Driving	Leva Trazione	Levier Traction	Antriebhebel	
14	322041965/1	2	Bush	Bussola	Douille	Büchse	
15	181007091/0	1	Throttle Cable	Cavo Acceleratore	Cable, Accelérateur	Gashebel Kabel	B&S
15	181007092/0	1	Throttle Cable	Cavo Acceleratore	Cable, Accelérateur	Gashebel Kabel	Honda-GGP
16	122399801/0	1	Knob	Manopolina	Poignée	Griff	
17	112726388/0	2	Screw	Vite	Vis	Schraube	
18	112290800/0	2	Nut	Dado	Ecrou	Mutter	
19	112728460/0	1	Screw	Vite	Vis	Schraube	
20	122943006/0	1	Screw	Vite	Vis	Schraube	
21	381008499/1	1	Outfit, Screws	Dotazione Viteria	Dotation Visserie	Satz, Schrauben	
22	422120148/0	1	Dash Board Yellow	Cruscotto Giallo	Console Jaune	Konsole Gelbe	
22	422120150/0	1	Dash Board Red	Cruscotto Rosso	Console Rouge	Konsole Rote	
22	422120164/0	1	Dash Board Black	Cruscotto Nero	Console Noire	Konsole Schwarze	
23	114356692/0	1	Label	Etichetta	Etiquette	Etikette	Honda
23	114356693/0	1	Label	Etichetta	Etiquette	Etikette	B&S-GGP
23	114357387/0	1	Label	Etichetta	Etiquette	Etikette	B&S 750-700
23	114357387/0	1	Label	Etichetta	Etiquette	Etikette	Tecumseh-Honda Autochoke
24	112788910/0	2	Screw	Vite	Vis	Schraube	
25	112523020/0	2	Washer	Rosetta	Rondelle	Scheibe	
26	112581500/0	2	Grower	Grower	Grower	Federring	
27	112291000/0	2	Nut	Dado	Ecrou	Mutter	
28	181007099/0	1	Cable, Speed Drive Control	Cavo Comando Marce	Cable, Comm. Changement Vitesse	Kabel, Gängeschaltun	
29	122399802/0	1	Knob	Manopolina	Poignée	Griff	



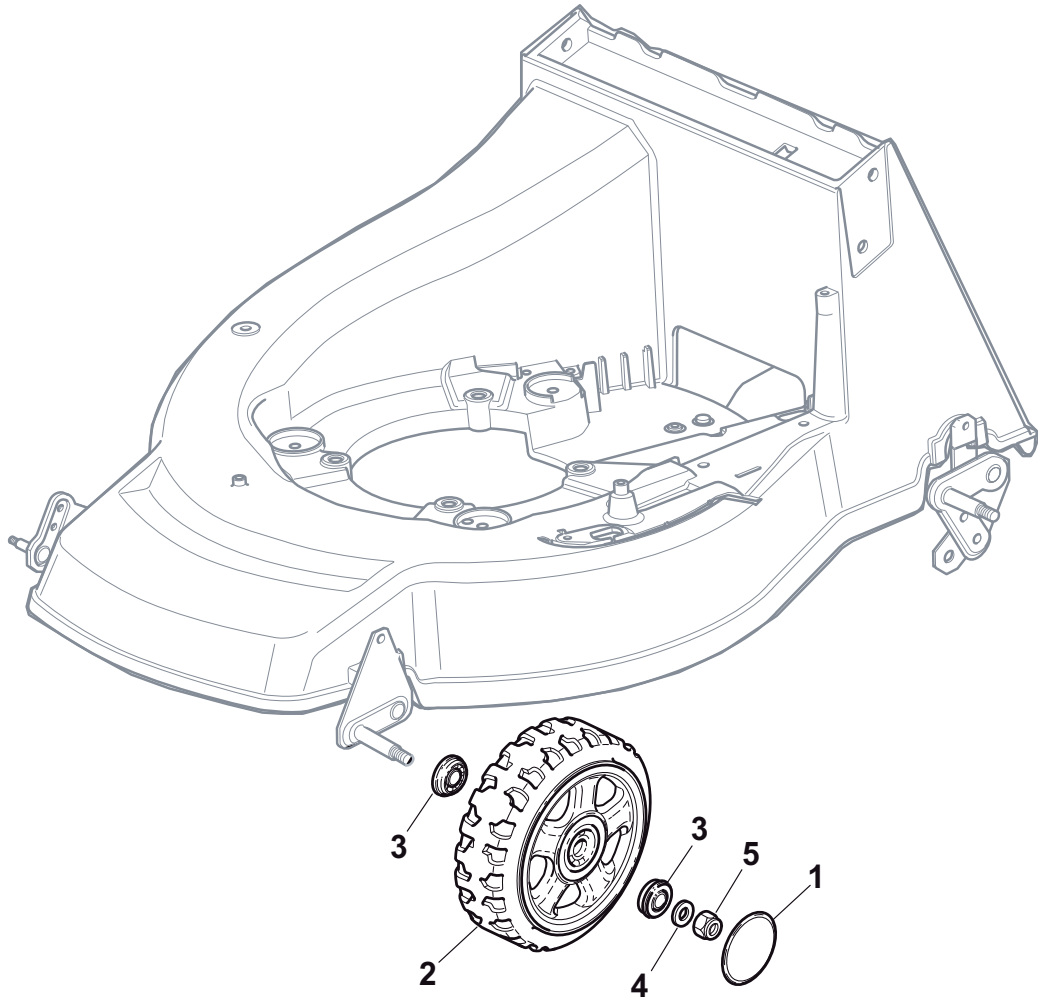
POS	PART. NO	Q.ty	DESCRIPTION	DESCRIZIONE	DESCRIPTION	BESCHREIBUNG	REMARKS
1	118120052/0	1	Battery	Batteria	Batterie	Batterie	
2	118204192/3	1	Cable, Start	Cavo Avviamento	Cable Démarrage	Kabel, Start	GGP-B&S
2	118204198/0	1	Cable, Start	Cavo Avviamento	Cable Démarrage	Kabel, Start	Honda
3	118450050/0	1	Switch	Interruttore	Interrupteur	Schalter	
4	118204120/0	1	Battery Charger	Carica Batteria	Chargeur De Batterie	Ladgerät	CE
4	118204121/0	1	Battery Charger	Carica Batteria	Chargeur De Batterie	Ladgerät	UK
5	322109530/0	1	Cover	Capottina	Capot	Haube	
6	118210016/1	1	Starting Key	Chiave Avviamento	Clef A Demarrage	Schlüssel Für Start	



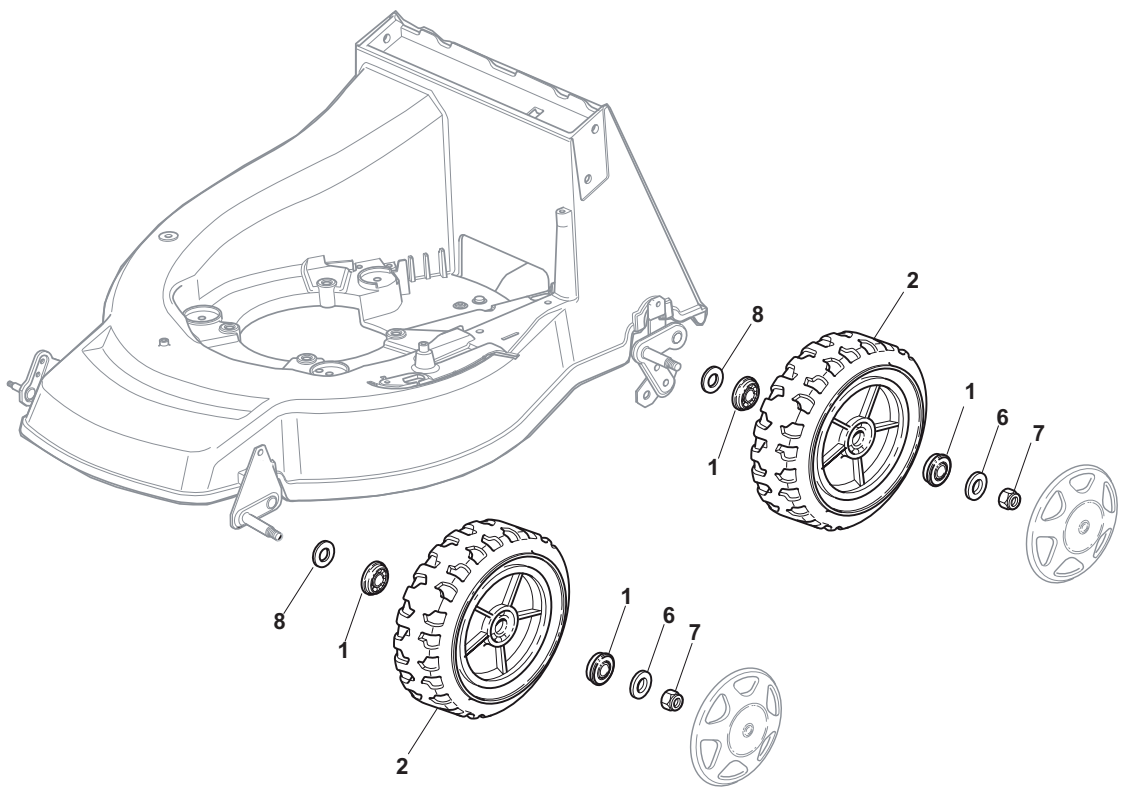
POS	PART. NO	Q.ty	DESCRIPTION	DESCRIZIONE	DESCRIPTION	BESCHREIBUNG	REMARKS
1	112608600/0	2	Seeger	Seeger	Seeger	Seeger	
2	122570120/1	1	Pinion L	Pignone Sx	Pignon G	Ritzel Linkes	
3	122120105/1	2	Ring Gear	Corona	Couronne	Kranz	
4	322600268/0	2	Protection, Wheel	Protezione Ruote	Protection Roue	Schütz, Räder	
5	122570110/1	1	Pinion R	Pignone Dx	Pignon D	Ritzel Rechtes	
6	112608600/0	2	Seeger	Seeger	Seeger	Seeger	
7	119216035/0	2	Bearing	Cuscinetto	Coussinet	Lager	
8	381302867/0	1	Axle, Rear Wheels	Asse Ruote Posteriore	Axe Roues Arriere	Achse, Hinterrad	
9	122753000/0	2	Pin	Perno	Pivot	Bolzen	
10	181003080/0	1	Gear Box	Gruppo Trazione	Groupe Traction	Antrieb	
11	122601908/0	1	Pulley	Puleggia	Poulie	Riemenscheibe	
12	112645705/0	1	Pin	Perno	Pivot	Bolzen	
13	122033282/1	1	Adjustment Rod	Asta Regolazione	Tige Reglage	Verstellungstange	
14	122041957/1	1	Bush	Bussola	Douille	Büchse	
15	122450063/0	1	Spring	Molla	Ressort	Feder	
16	322680009/0	1	Washer	Rosetta	Rondelle	Scheibe	
17	112154510/0	1	Nut	Dado	Ecrou	Mutter	
18	122110230/0	1	Cap	Puntale	Bouchon	Gummistopfen	
19	135064197/0	1	Belt	Cinghia	Courroire	Riemen	



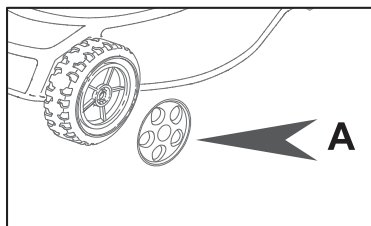
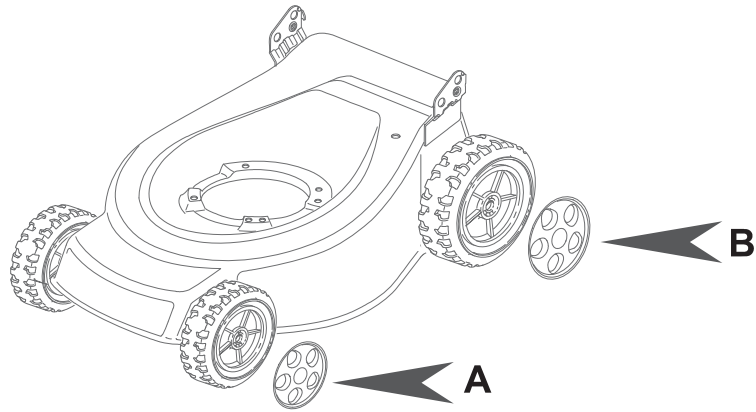
POS	PART. NO	Q.ty	DESCRIPTION	DESCRIZIONE	DESCRIPTION	BESCHREIBUNG	REMARKS
1	381007378/0	2	Wheel Ø 170	Ruota Ø 170	Roue Ø 170	Rad Ø 170	
2	322110418/0	2	Hub Cap	Coprimozzo	Couvre-Moyeu	Radkappe	
3	381007487/0	2	Wheel, Aluminium Ø 210	Ruota Alluminio Ø 210	Roue Ø 210	Rad Ø 210	
4	322110419/0	2	Hub Cap	Coprimozzo	Couvre-Moyeu	Radkappe	
5	119216035/0	8	Bearing	Cuscinetto	Coussinet	Lager	
8	112521350/0	4	Washer	Rosetta	Rondelle	Scheibe	
9	112155000/0	4	Nut	Dado	Ecrou	Mutter	



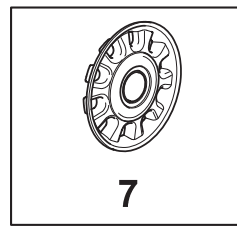
POS	PART. NO	Q.ty	DESCRIPTION	DESCRIZIONE	DESCRIPTION	BESCHREIBUNG	REMARKS
1	322110419/0	4	Hub Cap	Coprimozzo	Couvre-Moyeu	Radkappe	
2	381007487/0	2	Wheel, Aluminium Ø 210	Ruota Alluminio Ø 210	Roue Ø 210	Rad Ø 210	
3	119216035/0	8	Bearing	Cuscinetto	Coussinet	Lager	
4	112521350/0	4	Washer	Rosetta	Rondelle	Scheibe	
5	112155000/0	4	Nut	Dado	Ecrou	Mutter	



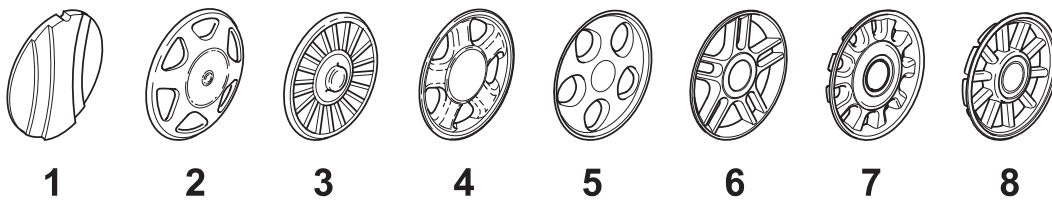
POS	PART. NO	Q.ty	DESCRIPTION	DESCRIZIONE	DESCRIPTION	BESCHREIBUNG	REMARKS
1	122122200/0	8	Bearing	Cuscinetto	Coussinet	Lager	
2	381007490/0	4	Wheel Ø 210	Ruota Stiga Ø 210	Roue Ø 210	Rad. Ø 210	
6	112521350/0	8	Washer	Rosetta	Rondelle	Scheibe	
7	112155000/0	8	Nut	Dado	Ecrou	Mutter	
8	112521350/0	2	Washer	Rosetta	Rondelle	Scheibe	



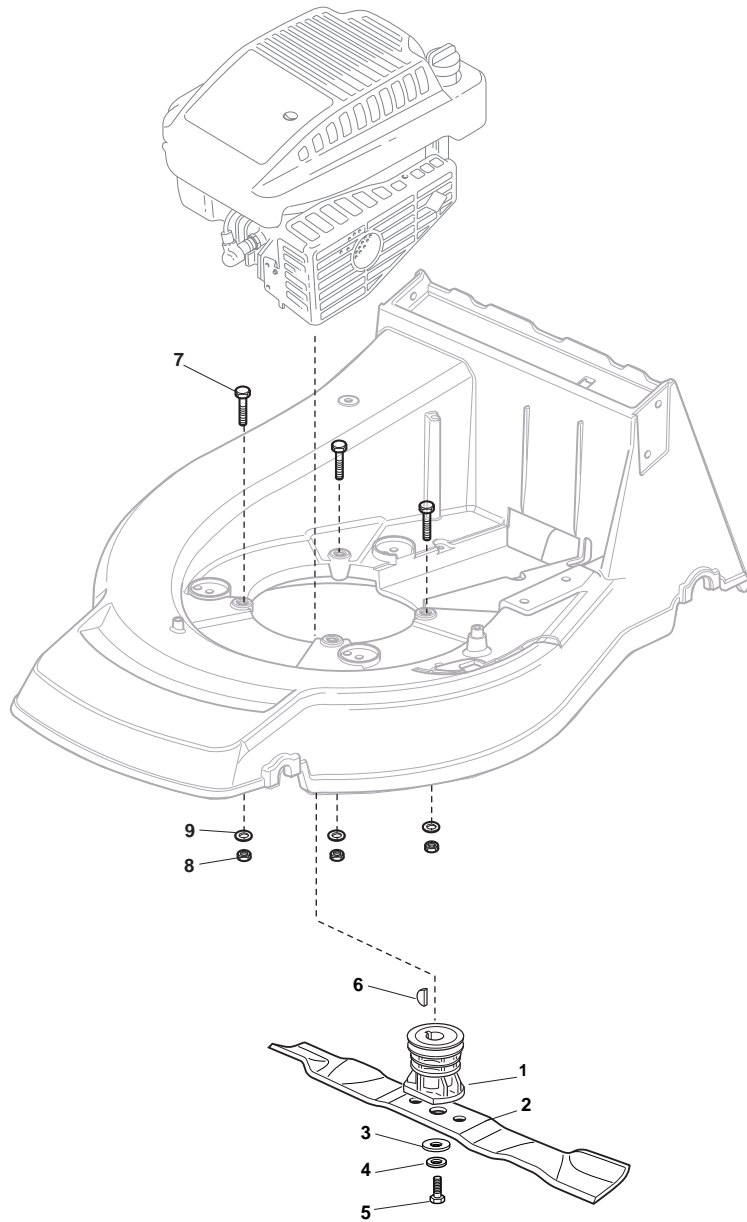
+



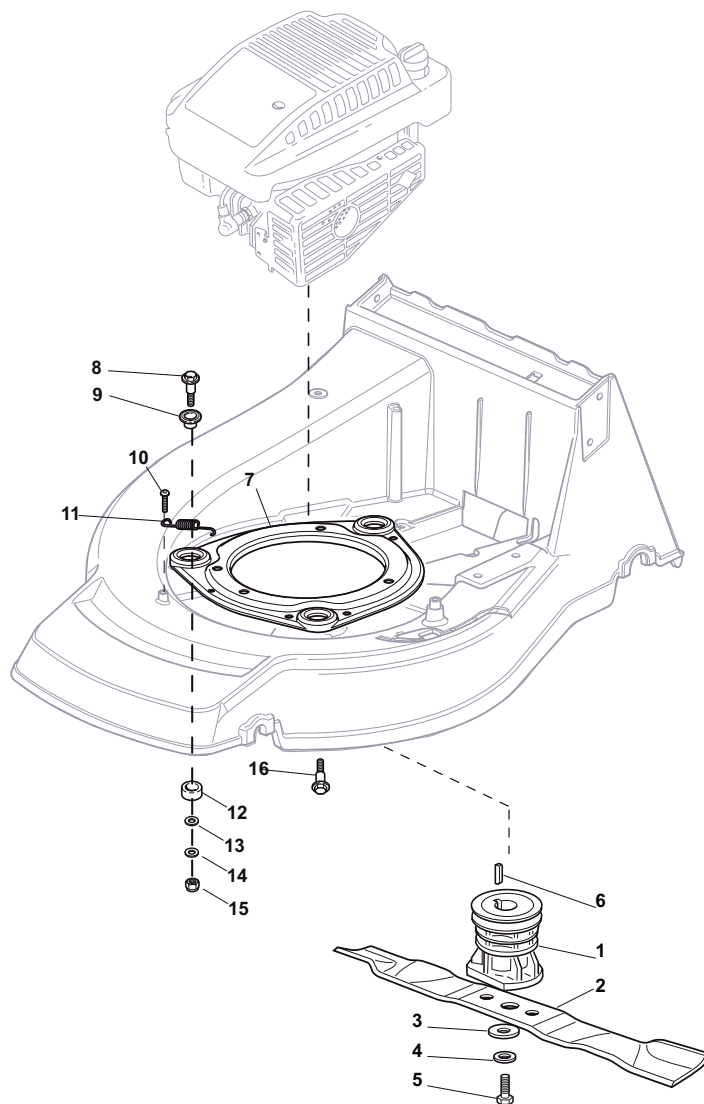
= A7



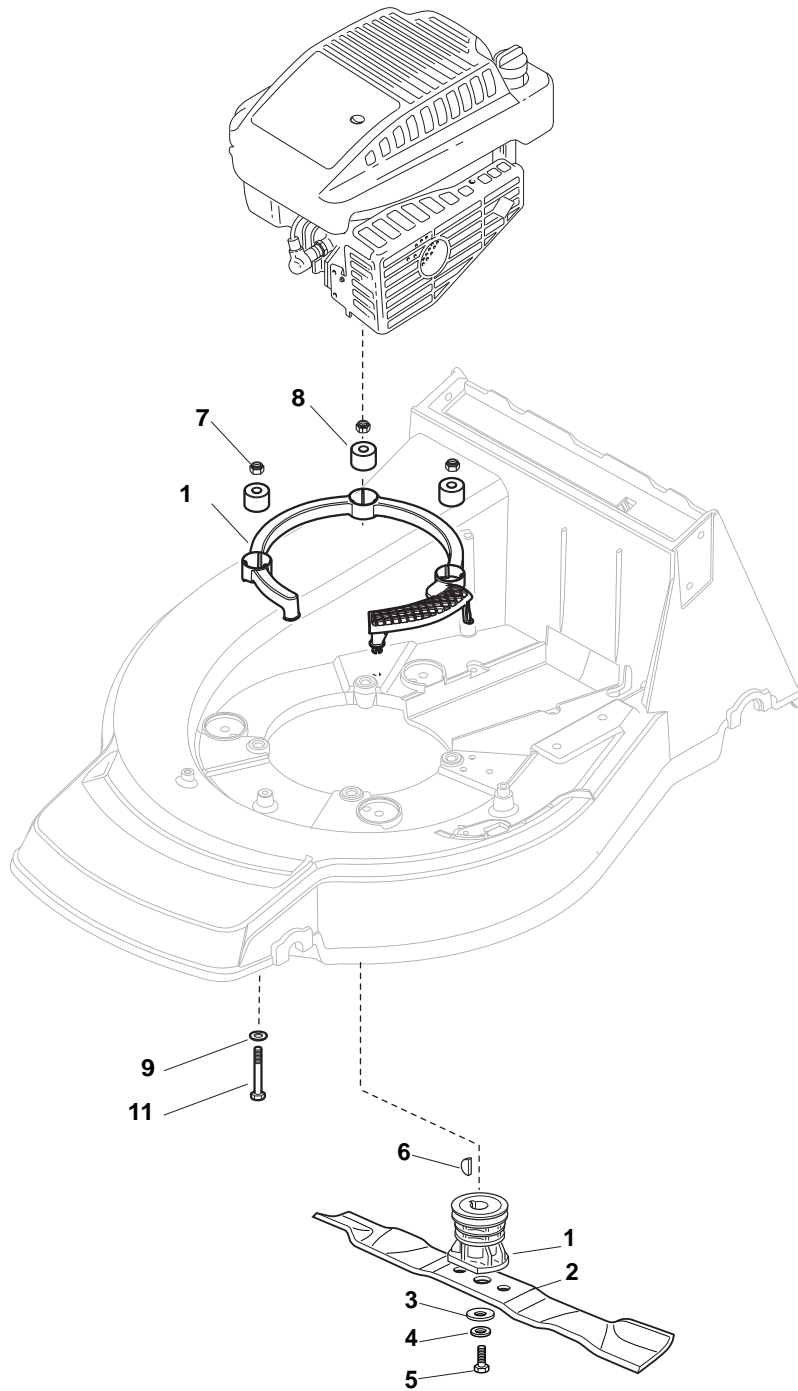
POS	PART. NO	Q.ty	DESCRIPTION	DESCRIZIONE	DESCRIPTION	BESCHREIBUNG	REMARKS
A1	322110285/0	2	Hub Cap Grey	Coprimozzo Grigio	Couvre-Moyeu Gris	Radkappe Grau	
A1	322110252/1	2	Hub Cap White	Coprimozzo Bianco	Couvre-Moyeu Blanc	Radkappe Weiß	
A1	322110254/0	2	Hub Cap Yellow	Coprimozzo Giallo	Couvre-Moyeu Jaune	Radkappe Gelb	
A1	322110255/1	2	Hub Cap Red	Coprimozzo Rosso	Couvre-Moyeu Rouge	Radkappe Rot	
A2	322110344/0	2	Hub Cap White	Coprimozzo Bianco	Couvre-Moyeu Blanc	Radkappe Weiß	
A2	322110395/0	2	Hub Cap Grey	Coprimozzo Grigio	Couvre-Moyeu Gris	Radkappe Grau	
A3	322110347/0	2	Hub Cap Grey	Coprimozzo Grigio	Couvre-Moyeu Gris	Radkappe Grau	
A4	322110382/0	2	Hub Cap Grey	Coprimozzo Grigio	Couvre-Moyeu Gris	Radkappe Grau	
A6	322110491/0	2	Hub Cap Grey	Coprimozzo Grigio	Couvre-Moyeu Gris	Radkappe Grau	
A7	322110493/0	2	Hub Cap Grey	Coprimozzo Grigio	Couvre-Moyeu Gris	Radkappe Grau	
A8	322110495/0	2	Hub Cap Grey	Coprimozzo Grigio	Couvre-Moyeu Gris	Radkappe Grau	
B1	322110251/0	1	Hub Cap White	Coprimozzo Bianco	Couvre-Moyeu Blanc	Radkappe Weiß	
B1	322110253/0	2	Hub Cap Yellow	Coprimozzo Giallo	Couvre-Moyeu Jaune	Radkappe Gelb	
B1	322110256/0	2	Hub Cap White	Coprimozzo Bianco	Couvre-Moyeu Blanc	Radkappe Weiß	
B1	322110286/0	2	Hub Cap Grey	Coprimozzo Grigio	Couvre-Moyeu Gris	Radkappe Grau	
B2	322110313/0	2	Hub Cap Grey	Coprimozzo Grigio	Couvre-Moyeu Gris	Radkappe Grau	
B2	322110314/0	2	Hub Cap Grey	Coprimozzo Grigio	Couvre-Moyeu Gris	Radkappe Grau	
B3	322110381/0	2	Hub Cap Grey	Coprimozzo Grigio	Couvre-Moyeu Gris	Radkappe Grau	
B4	322110416/0	2	Hub Cap Grey	Coprimozzo Grigio	Couvre-Moyeu Gris	Radkappe Grau	
B4	322110417/0	2	Hub Cap Grey	Coprimozzo Grigio	Couvre-Moyeu Gris	Radkappe Grau	
B6	322110492/0	2	Hub Cap Grey	Coprimozzo Grigio	Couvre-Moyeu Gris	Radkappe Grau	
B7	322110494/0	2	Hub Cap Grey	Coprimozzo Grigio	Couvre-Moyeu Gris	Radkappe Grau	
B8	322110496/0	2	Hub Cap Grey	Coprimozzo Grigio	Couvre-Moyeu Gris	Radkappe Grau	



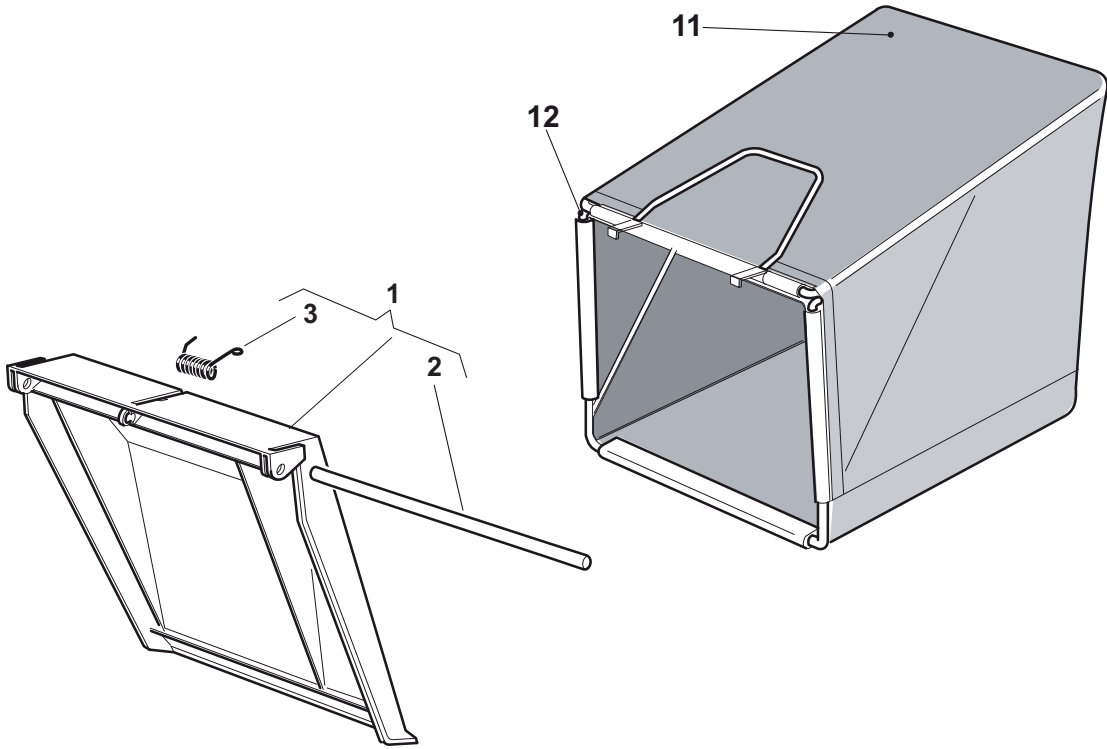
POS	PART. NO	Q.ty	DESCRIPTION	DESCRIZIONE	DESCRIPTION	BESCHREIBUNG	REMARKS
1	122465607/3	1	Hub With Pulley, Crankshaft Ø 22.2	Mozzo Con Puleggia, Albero Motore Ø 22.2	Moyeu Avec Poulie, Arbre Moteur Ø 22.2	Nabe Mit Scheibe, Motorwelle Ø 22.2	B&S-GGP
1	122465608/2	1	Hub With Pulley, Crankshaft Ø 25	Mozzo Con Puleggia, Albero Motore Ø 25	Moyeu Avec Poulie, Arbre Moteur Ø 25	Nabe Mit Scheibe, Motorwelle Ø 25	Honda
2	181004381/1	1	Blade Standard	Coltello Standard	Lame Standard	Messer Standard	
3	122160400/0	1	Elastic Washer	Disco Elastico	Disque Elastique	Federscheibe	
4	112523080/0	1	Washer	Rosetta	Rondelle	Scheibe	
5	112735698/0	1	Screw	Vite	Vis	Schraube	
6	112139100/0	1	Feather, Crankshaft Ø 22.2	Linguetta, Albero Motore Ø 22.2	Clavette, Arbre Moteur Ø 22.2	Keil, Motorwelle Ø 22.2	B&S-GGP
6	112139150/0	1	Feather, Crankshaft Ø 25	Linguetta, Albero Motore Ø 25	Clavette, Arbre Moteur Ø 25	Keil, Motorwelle Ø 25	Honda
7	112691900/0	3	Screw	Vite	Vis	Schraube	Honda-GGP
7	112691600/0	3	Screw	Vite	Vis	Schraube	GGP 196cc
7	112691800/0	2	Screw	Vite	Vis	Schraube	B&S
7	112692080/0	1	Screw	Vite	Vis	Schraube	B&S
7	112691900/0	3	Screw	Vite	Vis	Schraube	DOV
8	112155000/0	3	Nut	Dado	Ecrou	Mutter	
9	112521350/0	3	Washer	Rosetta	Rondelle	Washer	



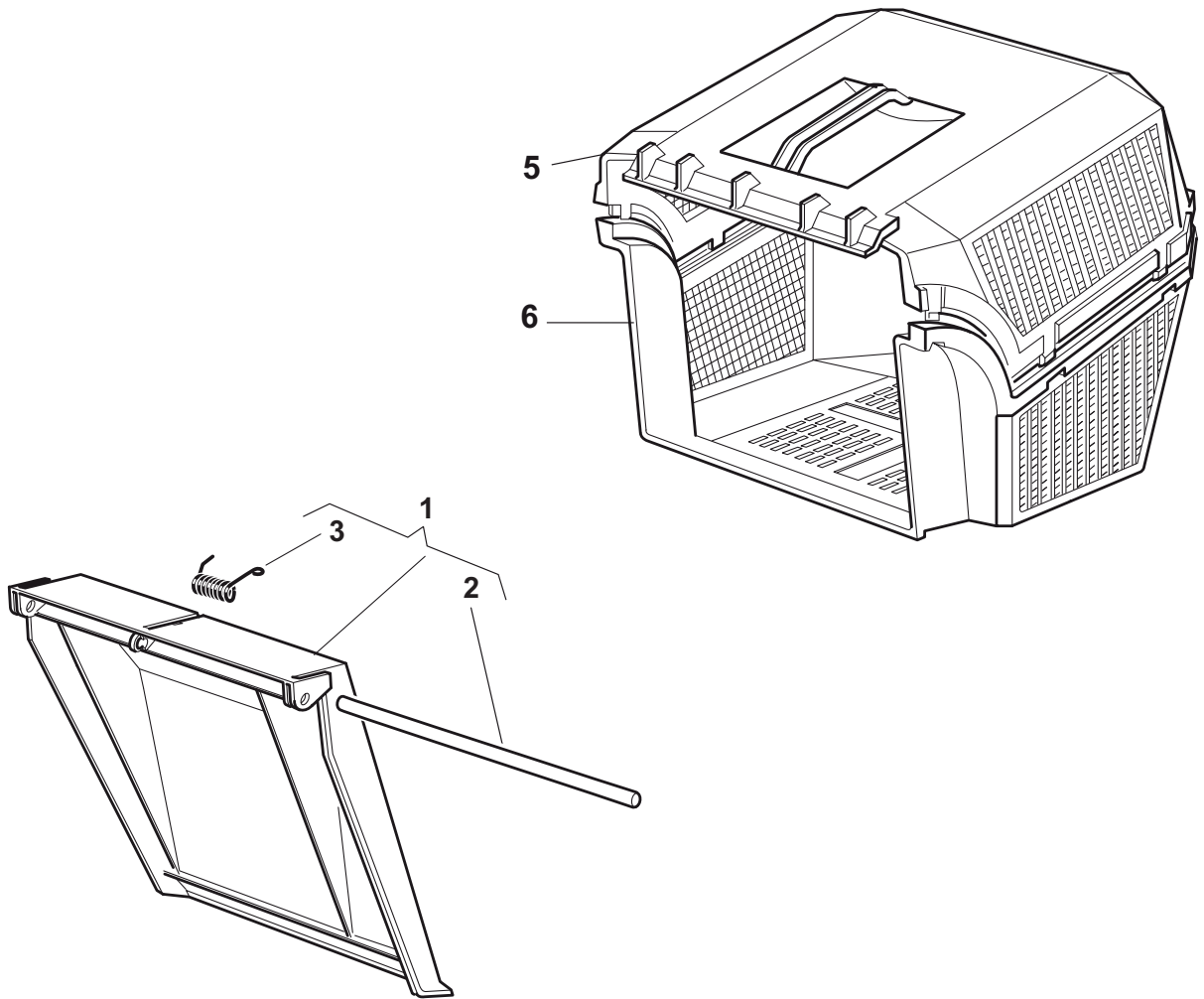
POS	PART. NO	Q.ty	DESCRIPTION	DESCRIZIONE	DESCRIPTION	BESCHREIBUNG	REMARKS
1	122465638/1	1	Hub With Pulley, Crankshaft Ø 22.2	Mozzo Con Puleggia, Albero Motore Ø 22.2	Moyeu Avec Poulie, Arbre Moteur Ø 22.2	Nabe Mit Scheibe, Motorwelle Ø 22.2	GGP-B&S
1	122465639/1	1	Hub With Pulley, Crankshaft Ø 25	Mozzo Con Puleggia, Albero Motore Ø 25	Moyeu Avec Poulie, Arbre Moteur Ø 25	Nabe Mit Scheibe, Motorwelle Ø 25	Honda
2	181004383/0	1	Blade, Avs	Coltello, Avs	Lame, Avs	Messer, Avs	
3	122160400/0	1	Elastic Washer	Disco Elastico	Disque Elastique	Federscheibe	
4	112523080/0	1	Washer	Rosetta	Rondelle	Scheibe	
5	112736815/0	1	Screw	Vite	Vis	Schraube	
6	112139100/0	1	Feather, Crankshaft Ø 22.2	Linguetta, Albero Motore Ø 22.2	Clavette, Arbre Moteur Ø 22.2	Keil, Motorwelle Ø 22.2	GGP-B&S
6	112139150/0	1	Feather, Crankshaft Ø 25	Linguetta, Albero Motore Ø 25	Clavette, Arbre Moteur Ø 25	Keil, Motorwelle Ø 25	Honda
7	322207223/0	1	Flange	Flangia	Bride	Flansch	
8	122524329/0	3	Pin	Perno	Pivot	Bolzen	
9	322672201/0	3	Washer	Rosetta	Rondelle	Scheibe	
10	112729601/1	1	Screw	Vite	Vis	Schraube	
11	122450445/0	1	Spring	Molla	Ressort	Feder	
12	322250012/0	3	Grommet	Gommino	Caoutchouc	Gummi	
13	122671651/0	3	Washer	Rosetta	Rondelle	Scheibe	
14	112521350/0	3	Washer	Rosetta	Rondelle	Scheibe	
15	112155000/0	3	Nut	Dado	Ecrou	Mutter	
16	112735108/1	3	Screw	Vite	Vis	Schraube	Only Honda Engine



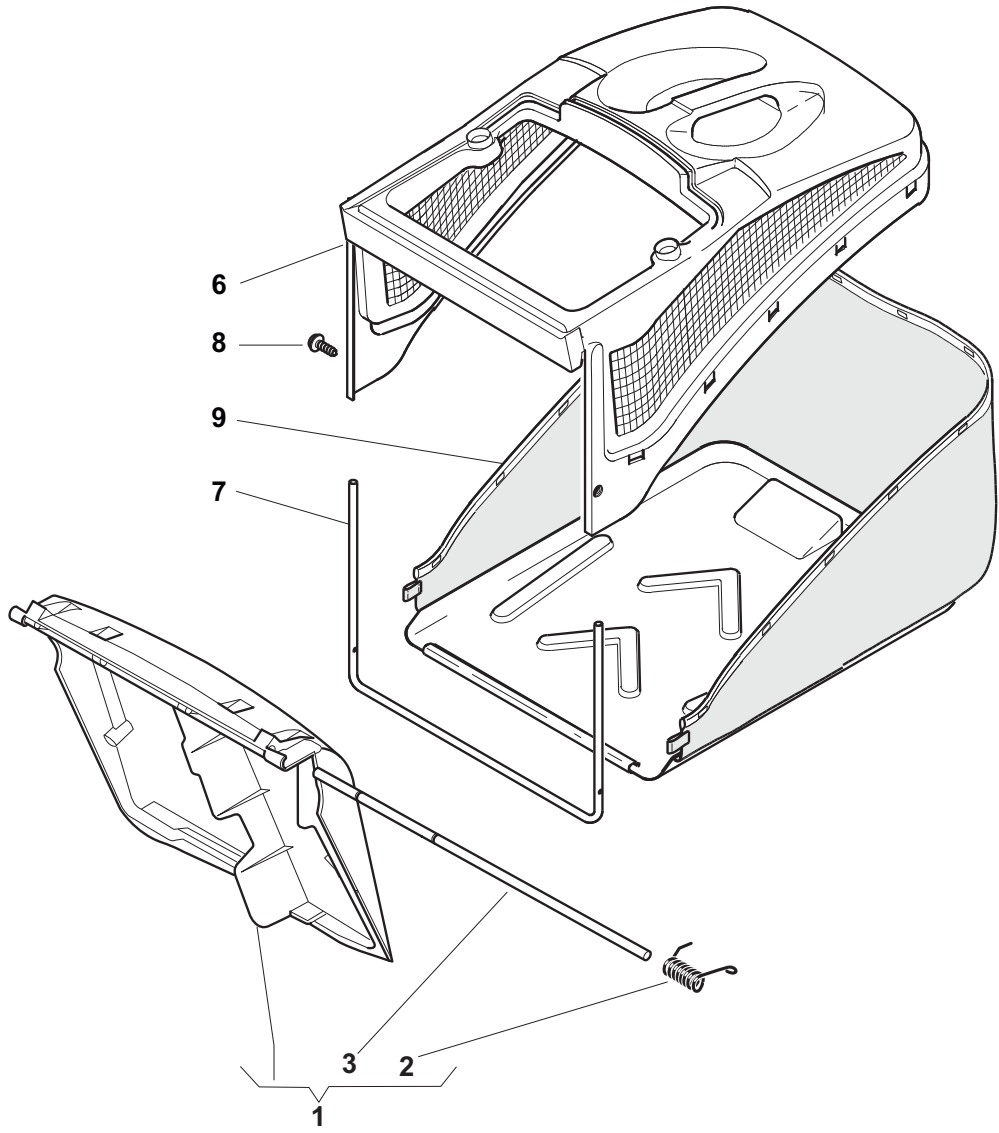
POS	PART. NO	Q.ty	DESCRIPTION	DESCRIZIONE	DESCRIPTION	BESCHREIBUNG	REMARKS
1	122465638/1	1	Hub With Pulley, Crankshaft Ø 22.2	Mozzo Con Puleggia, Albero Motore Ø 22.2	Moyeu Avec Poulie, Arbre Moteur Ø 22.2	Nabe Mit Scheibe, Motorwelle Ø 22.2	
2	181004381/1	1	Blade Standard	Coltello Standard	Lame Standard	Messer Standard	
3	122160400/0	1	Washer	Rosetta	Rondelle	Scheibe	
4	112523080/0	1	Washer	Rosetta	Rondelle	Scheibe	
5	112736815/0	1	Screw	Vite	Vis	Schraube	
6	112139100/0	1	Feather, Crankshaft Ø 22.2	Linguetta, Albero Motore Ø 22.2	Clavette, Arbre Moteur Ø 22.2	Keil, Motorwelle Ø 22.2	
7	112154210/0	3	Nut	Dado	Ecrou	Mutter	
8	122170835/0	3	Spacer	Distanziale	Entretoise	Distanzring	
9	112521350/0	3	Washer	Rosetta	Rondelle	Scheibe	
10	322170964/0	1	Protection	Protezione	Protection	Schutz	
11	112692050/0	3	Screw	Vite	Vis	Schraube	



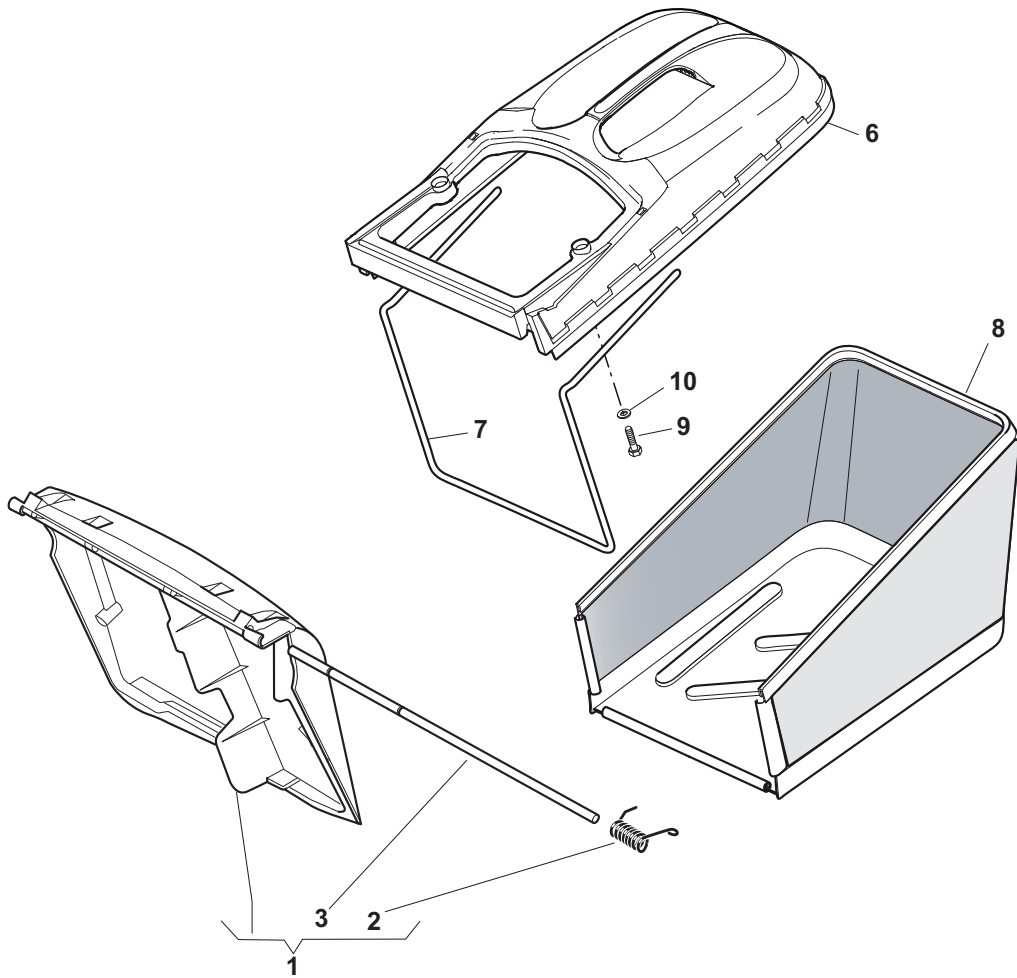
POS	PART. NO	Q.ty	DESCRIPTION	DESCRIZIONE	DESCRIPTION	BESCHREIBUNG	REMARKS
1	381008044/0	1	Stone-Guard	Parasassi	Pare-Pierres	Prallblech	
2	122517856/1	1	Pin	Perno	Pivot	Bolzen	
3	122450270/0	1	Spring	Molla	Ressort	Feder	
11	181002124/1	1	Box, Fabric	Sacco, Tela	Sac, Toile	Sack, Tuck	
12	181006430/0	1	Chassis Box	Telaio Sacco	Châssis Bac	Rahmen Sack	



POS	PART. NO	Q.ty	DESCRIPTION	DESCRIZIONE	DESCRIPTION	BESCHREIBUNG	REMARKS
1	381008044/0	1	Stone-Guard	Parasassi	Pare-Pierres	Prallblech	
2	122517856/1	1	Pin	Perno	Pivot	Bolzen	
3	122450270/0	1	Spring	Molla	Ressort	Feder	
5	122486065/0	1	Grass-Box, Upper	Sacco, Parte Sup	Sac, Partie Superieure	Korb, Oberteil	
6	122486064/0	1	Grass-Box, Lower	Sacco, Parte Inf	Sac, Partie Inferieure	Korb, Unterteil	



POS	PART. NO	Q.ty	DESCRIPTION	DESCRIZIONE	DESCRIPTION	BESCHREIBUNG	REMARKS
1	381008050/0	1	Stone-Guard Black	Parasassi Nero	Pare-Pierres, Noir	Prallblech, Schwarz	
2	122451000/0	1	Spring	Molla	Ressort	Feder	
3	122517856/1	1	Pin	Perno	Pivot	Bolzen	
6	122486094/0	1	Grass-Box, Upper	Sacco, Parte Sup	Sac, Partie Superieure	Korb, Oberteil	
7	122608524/0	1	Stiffening Lower	Rinforzo Inf	Réinforcement Inf	Verstärkung Untere	
8	112728445/0	2	Screw	Vite	Vis	Schraube	
9	181002196/0	1	Box, Fabric	Sacco, Tela	Sac, Toile	Sack, Tuck	



POS	PART. NO	Q.ty	DESCRIPTION	DESCRIZIONE	DESCRIPTION	BESCHREIBUNG	REMARKS
1	381008050/0	1	Stone-Guard Black	Parasassi Nero	Pare-Pierres, Noir	Prallblech, Schwarz	
2	122451000/0	1	Spring	Molla	Ressort	Feder	
3	122517856/1	1	Pin	Perno	Pivot	Bolzen	
6	322486102/0	1	Grass-Box, Upper	Sacco, Parte Sup	Sac, Partie Superieure	Korb, Oberteil	
7	122608526/0	1	Stiffening Lower	Rinforzo Inf	Réinforcement Inf	Verstärkung Untere	
8	181002212/0	1	Box, Fabric	Sacco, Tela	Sac, Toile	Sack, Tuck	
9	112728680/0	2	Screw	Vite	Vis	Schraube	
10	112523050/0	2	Washer	Rosetta	Rondelle	Scheibe	