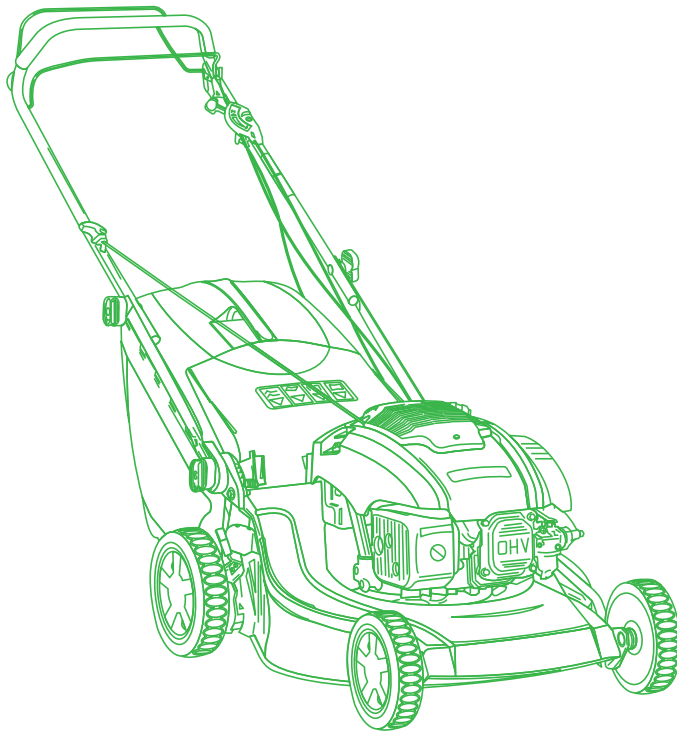


ILLUSTRATED PARTS LIST

EP 414 TR

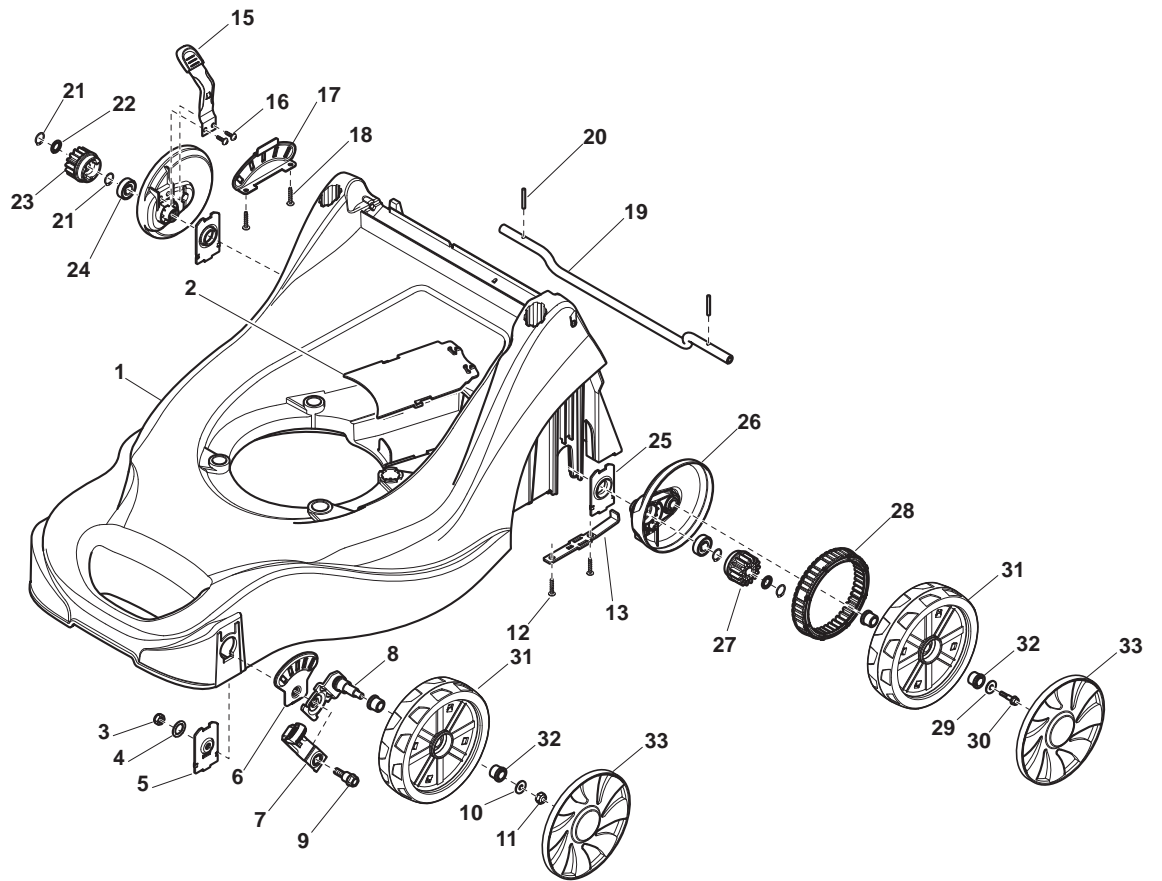


- Use GLOBAL GARDEN PRODUCT Genuine Spare Parts specified in the parts list for repair and/or replacement.
- The contents described in the parts list may change due to improvement.
- The drawings of the spare parts are only indicative and might not represent the part in question exactly.
- The indications "right" - "left" - "front" - "rear" refer to the position of the operator when using the machine.
- When placing orders of parts for repair and/or replacement, make sure that the illustrated parts list is the one applying to the machine's year of manufacture, as shown on the identification plate attached to the machine.

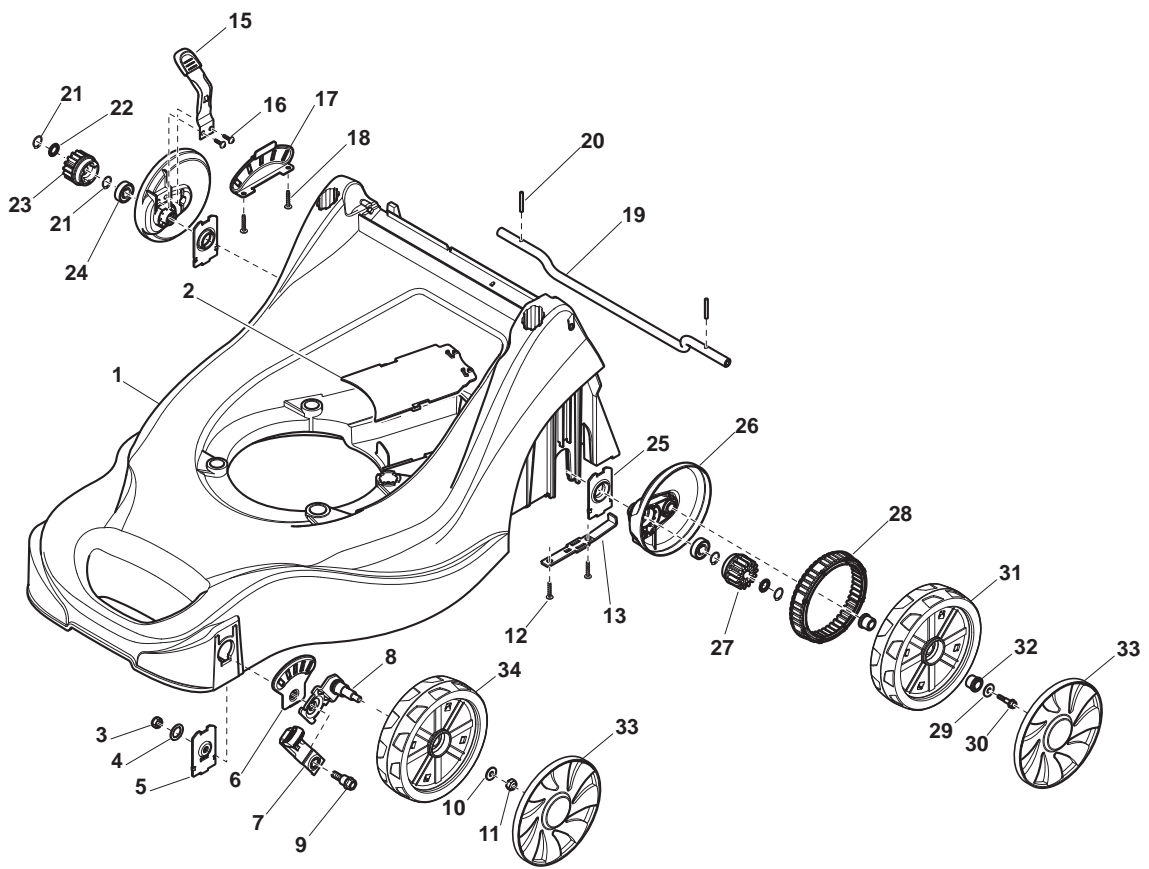
© Copyright 2013 Global Garden Products

All content is subject to copyright by Global Garden Products and may not be reproduced in whole or in part by any means, electronic or otherwise, without prior written approval.

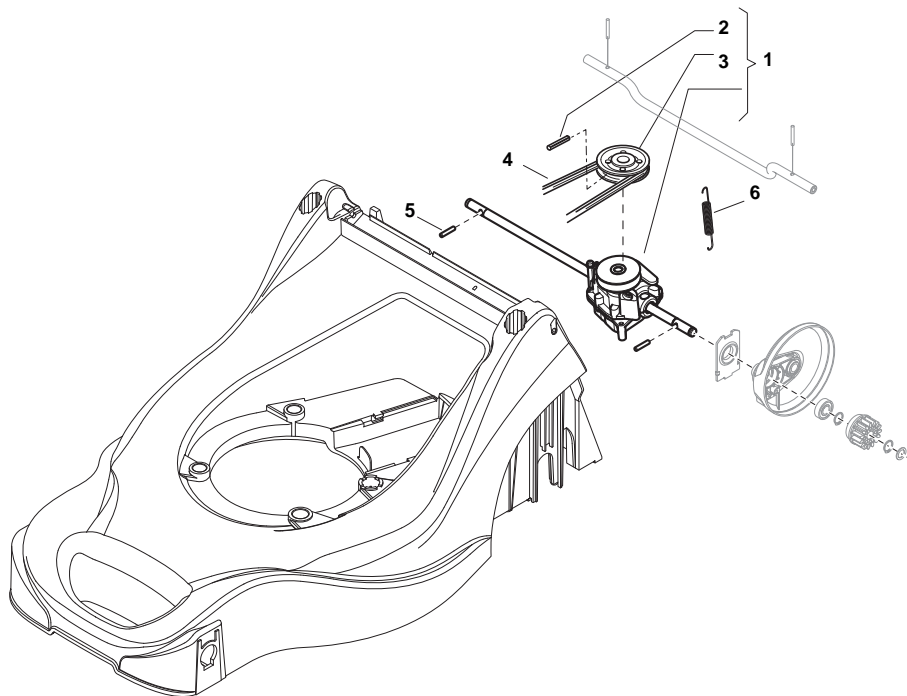
THIS INFORMATION IS NOT INTENDED FOR SALE OR RESALE, AND THIS NOTICE MUST REMAIN ON ALL COPIES.



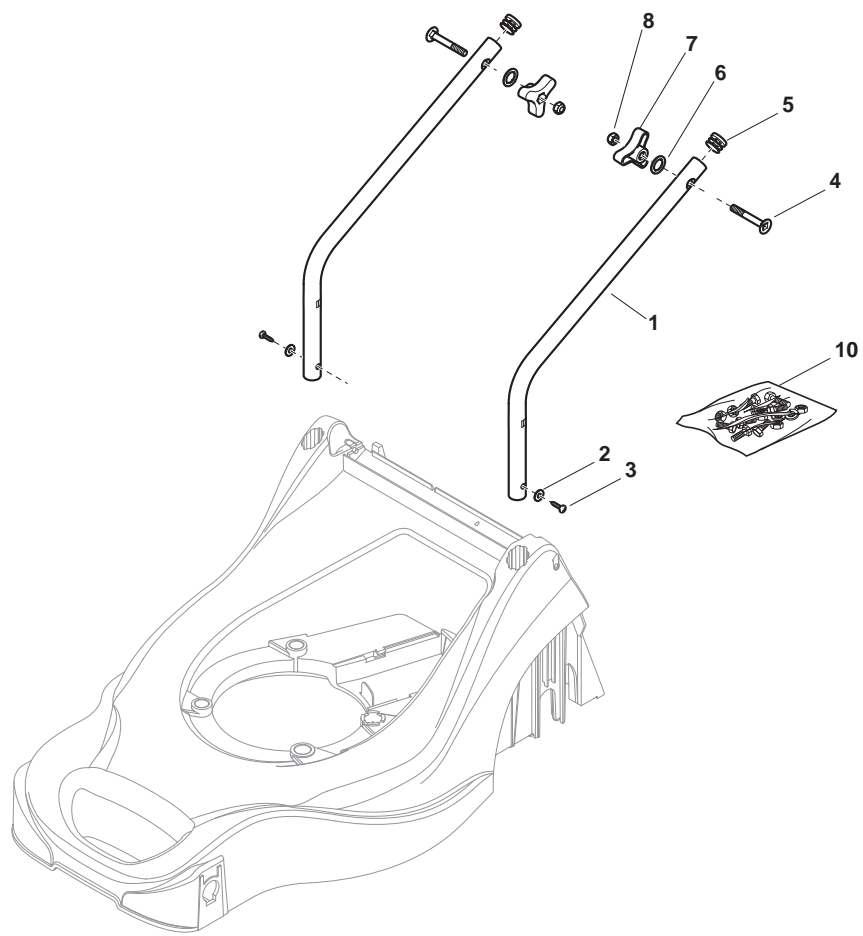
POS	PART. NO	Q.ty	DESCRIPTION	DESCRIZIONE	DESCRIPTION	BESCHREIBUNG	REMARKS
1	322066750/0	1	Deck Red	Chassis Rosso	Châssis Rouge	Gehäuse Rot	
2	322060245/0	1	Protection, Belt	Carter Cinghia	Protection Courroie	Schutz, Riemen	
3	112154210/0	2	Nut	Dado	Ecrou	Mutter	
4	112540060/0	2	Washer	Rosetta	Rondelle	Scheibe	
5	322785361/0	2	Support, Wheels	Supporto Ruote	Support Roue	Halter, Rad	
6	322735599/0	2	Sector, Height Adj.	Settore Di Regolazione	Secteur Reglage Hauteur	Sektor, Höheverstellung	
7	381003352/0	2	Lever, Height Adjustment	Leva Regolazione Altezza	Levier Reglage Hauteur	Hebel, Höneverstellung	
8	381005089/0	2	Support, Wheel	Supporto Ruota	Support Roue	Halter, Rad	
9	122519811/0	2	Pin	Perno	Pivot	Bolzen	
10	112521350/0	2	Washer	Rosetta	Rondelle	Scheibe	
11	112155000/0	2	Nut	Dado	Ecrou	Mutter	
12	112728690/0	4	Screw	Vite	Vis	Schraube	
13	322608563/0	2	Rear Stiffening	Rinforzo Posteriore	Réinforcement Arriere	Hinterverstärkung	
15	381003353/0	1	Lever, Height Adjustment	Leva Regolazione Altezza	Levier Reglage Hauteur	Hebel, Höneverstellung	
16	112728689/0	2	Screw	Vite	Vis	Schraube	
17	322735601/0	1	Sector, Height Adj.	Settore Di Regolazione	Secteur Reglage Hauteur	Sektor, Höheverstellung	
18	112728690/0	2	Screw	Vite	Vis	Schraube	
19	122033417/0	1	Axle, Rear Wheels	Asse Ruote Posteriore	Axe Roues Arriere	Achse, Hinterrad	
20	122753001/0	2	Pin	Perno	Pivot	Bolzen	
21	112608600/0	4	Seeger	Seeger	Seeger	Seeger	
22	112521370/0	2	Washer	Rosetta	Rondelle	Scheibe	
23	322570135/0	1	Pinion R	Pignone Dx	Pignon D	Ritzel Rechtes	
24	119216035/0	2	Bearing	Cuscinetto	Coussinet	Lager	
25	322785379/0	2	Support	Supporto	Support	Halter	
26	322600203/0	2	Protection, Wheel	Protezione Ruote	Protection Roue	Schütz, Räder	
27	322570136/0	1	Pinion L	Pignone Sx	Pignon G	Ritzel Linkes	
28	322120118/0	2	Ring Gear	Corona	Couronne	Kranz	
29	112523040/0	2	Washer	Rosetta	Rondelle	Scheibe	
30	112735592/0	2	Screw	Vite	Vis	Schraube	
31	322686101/0	4	Wheel Ø 175	Ruota Ø 175	Roue Ø 175	Rad Ø 175	
32	322034516/0	8	Bush	Bussola	Douille	Büchse	
33	322110642/0	4	Hub Cap Grey	Coprimezzo Grigio	Couvre-Moyeu Gris	Radkappe Grau	



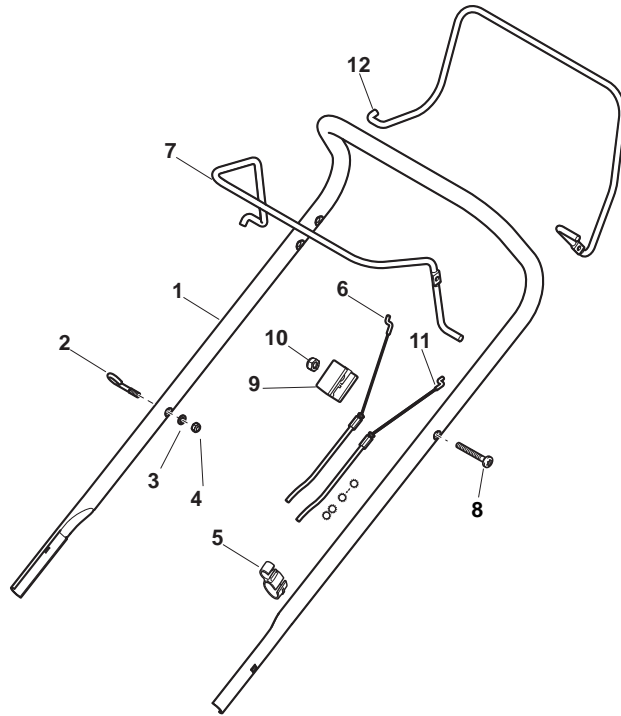
POS	PART. NO	Q.ty	DESCRIPTION	DESCRIZIONE	DESCRIPTION	BESCHREIBUNG	REMARKS
1	322066750/0	1	Deck Red	Chassis Rosso	Châssis Rouge	Gehäuse Rot	
2	322060245/0	1	Protection, Belt	Carter Cinghia	Protection Courroie	Schutz, Riemen	
3	112154210/0	2	Nut	Dado	Ecrou	Mutter	
4	112540060/0	2	Washer	Rosetta	Rondelle	Scheibe	
5	322785361/0	2	Support, Wheels	Supporto Ruote	Support Roue	Halter, Rad	
6	322735599/0	2	Sector, Height Adj.	Settore Di Regolazione	Secteur Reglage Hauteur	Sektor, Höheverstellung	
7	381003352/0	2	Lever, Height Adjustment	Leva Regolazione Altezza	Levier Reglage Hauteur	Hebel, Höheverstellung	
8	381005089/0	2	Support, Wheel	Supporto Ruota	Support Roue	Halter, Rad	
9	122519811/0	2	Pin	Perno	Pivot	Bolzen	
10	112521350/0	2	Washer	Rosetta	Rondelle	Scheibe	
11	112155000/0	2	Nut	Dado	Ecrou	Mutter	
12	112728690/0	4	Screw	Vite	Vis	Schraube	
13	322608563/0	2	Rear Stiffening	Rinforzo Posteriore	Réinforcement Arriere	Hinterverstärkung	
15	381003353/0	1	Lever, Height Adjustment	Leva Regolazione Altezza	Levier Reglage Hauteur	Hebel, Höheverstellung	
16	112728689/0	2	Screw	Vite	Vis	Schraube	
17	322735601/0	1	Sector, Height Adj.	Settore Di Regolazione	Secteur Reglage Hauteur	Sektor, Höheverstellung	
18	112728690/0	2	Screw	Vite	Vis	Schraube	
19	122033417/0	1	Axle, Rear Wheels	Asse Ruote Posteriore	Axe Roues Arriere	Achse, Hinterrad	
20	122753001/0	2	Pin	Perno	Pivot	Bolzen	
21	112608600/0	4	Seeger	Seeger	Seeger	Seeger	
22	112521370/0	2	Washer	Rosetta	Rondelle	Scheibe	
23	322570135/0	1	Pinion R	Pignone Dx	Pignon D	Ritzel Rechtes	
24	119216035/0	2	Bearing	Cuscinetto	Coussinet	Lager	
25	322785379/0	2	Support	Supporto	Support	Halter	
26	322600203/0	2	Protection, Wheel	Protezione Ruote	Protection Roue	Schütz, Räder	
27	322570136/0	1	Pinion L	Pignone Sx	Pignon G	Ritzel Linkes	
28	322120118/0	2	Ring Gear	Corona	Couronne	Kranz	
29	112523040/0	2	Washer	Rosetta	Rondelle	Scheibe	
30	112735592/0	2	Screw	Vite	Vis	Schraube	
31	322686101/0	2	Wheel Ø 175	Ruota Ø 175	Roue Ø 175	Rad Ø 175	
32	322034516/0	4	Bush	Bussola	Douille	Büchse	
33	322110642/0	4	Hub Cap Grey	Coprizzo Grigio	Couvre-Moyeu Gris	Radkappe Grau	
34	322686100/0	2	Wheel Ø 175	Ruota Ø 175	Roue Ø 175	Rad Ø 175	



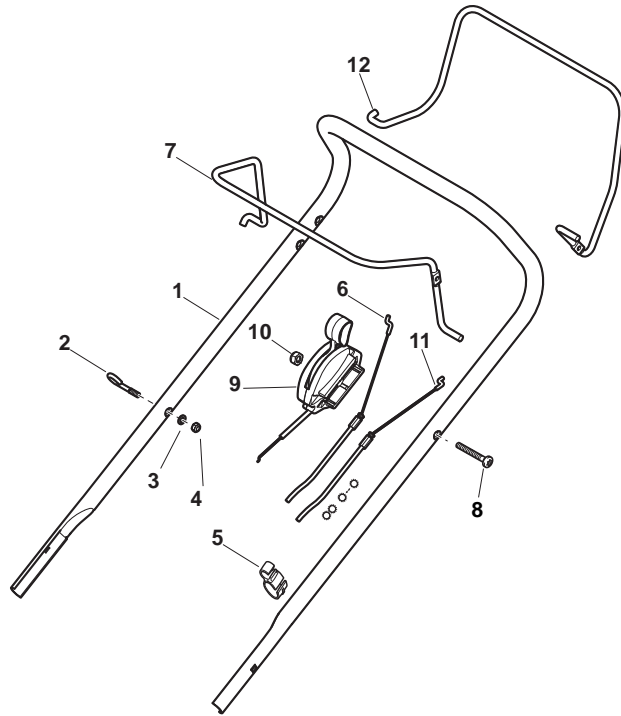
POS	PART. NO	Q.ty	DESCRIPTION	DESCRIZIONE	DESCRIPTION	BESCHREIBUNG	REMARKS
1	181003108/0	1	Gear Box	Gruppo Trazione	Groupe Traction	Antrieb	
2	112645705/0	1	Pin	Perno	Pivot	Bolzen	
3	122601909/0	1	Pulley	Puleggia	Poulie	Riemenscheibe	
4	135063730/0	1	Belt	Cinghia	Courroire	Riemen	
5	122753000/0	2	Pin	Perno	Pivot	Bolzen	
6	122430216/0	1	Spring	Molla	Ressort	Feder	



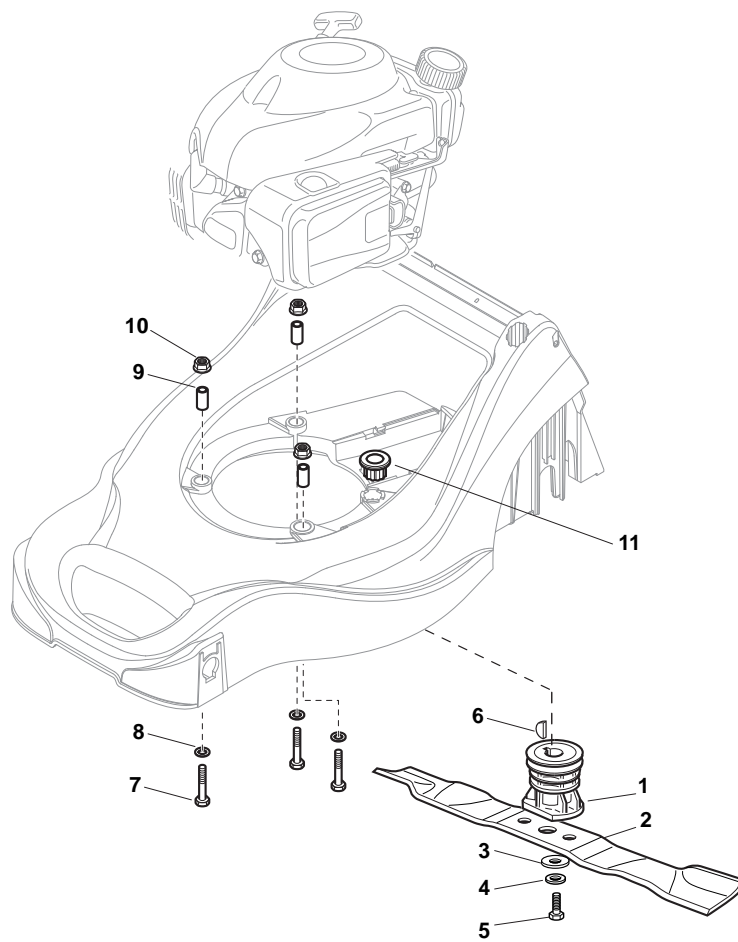
POS	PART. NO	Q.ty	DESCRIPTION	DESCRIZIONE	DESCRIPTION	BESCHREIBUNG	REMARKS
1	381006769/0	2	Handle, Lower Part	Parte Inf Maniglia	Poignée, Partie Inferieure	Griff, Unterteil	
2	112523020/0	2	Washer	Rosetta	Rondelle	Scheibe	
3	112728450/0	2	Screw	Vite	Vis	Schraube	
4	112819110/0	2	Screw	Vite	Vis	Schraube	
5	118566110/0	2	Cap	Puntale	Bouchon	Gummistopfen	
6	122671651/0	2	Washer	Rosetta	Rondelle	Scheibe	
7	122399900/0	2	Knob	Manopolina	Poignée	Griff	
8	112293200/0	2	Nut	Dado	Ecrou	Mutter	
10	381008687/0	1	Outfit, Screws	Dotazione Viteria	Dotation Visserie	Satz, Schrauben	



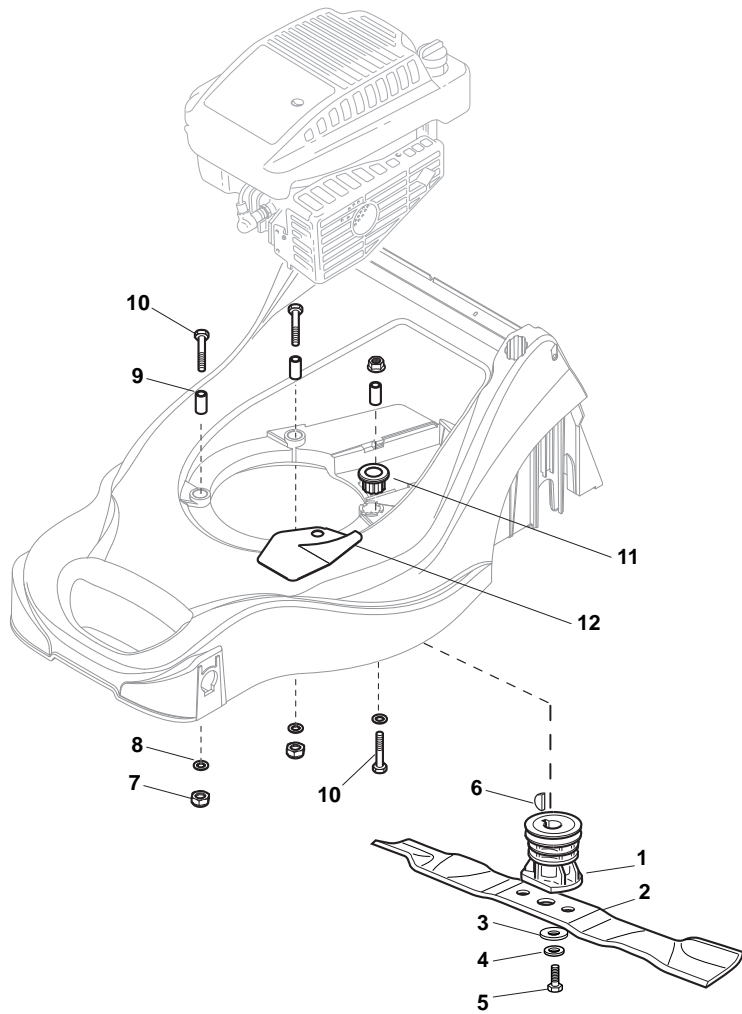
POS	PART. NO	Q.ty	DESCRIPTION	DESCRIZIONE	DESCRIPTION	BESCHREIBUNG	REMARKS
1	381006739/0	1	Handle, Upper Part	Manico, Parte Sup	Mancheron, Partie Superieure	Holm, Oberteil	
2	122430313/0	1	Guide Spring	Molla Guida	Ressort De Guide	Feder Führer	
3	112521330/0	1	Washer	Rosetta	Rondelle	Scheibe	
4	112154510/0	1	Nut	Dado	Ecrou	Mutter	
5	118390020/0	1	Fairlead	Fermacavo	Fixation Cable	Kabelbefestigung	
6	181030053/0	1	Cable, Thread Engine Brake	Cavo Freno Motore	Cable Frein Moteur	Kabel, Motorbremse	GGP150cc
6	181030079/0	1	Cable, Thread Engine Brake	Cavo Freno Motore	Cable Frein Moteur	Kabel, Motorbremse	GGP100cc-Honda-B&S
7	181003363/1	1	Lever, Engine Brake Black	Leva Freno Motore Nero	Levier Frein Moteur Noir	Hebel, Motorbremse Schwarz	
8	112727788/0	1	Screw	Vite	Vis	Schraube	
9	181005504/1	1	Throttle Cable	Cavo Acceleratore	Cable, Accelérateur	Gashebel Kabel	GGP150cc
9	181005518/0	1	Throttle Cable	Cavo Acceleratore	Cable, Accelérateur	Gashebel Kabel	B&S
9	181005524/0	1	Throttle Cable	Cavo Acceleratore	Cable, Accelérateur	Gashebel Kabel	GGP100cc-Honda
10	112154510/0	1	Nut	Dado	Ecrou	Mutter	
11	381030080/0	1	Cable, Rear Drive	Cavo Comando Trazione	Câble, Comm. Traction	Kabel, Antrieb	
12	181003364/0	1	Lever, Driving Black	Leva Trazione Nero	Levier Traction Noir	Hebel, Antrieb Schwarz	



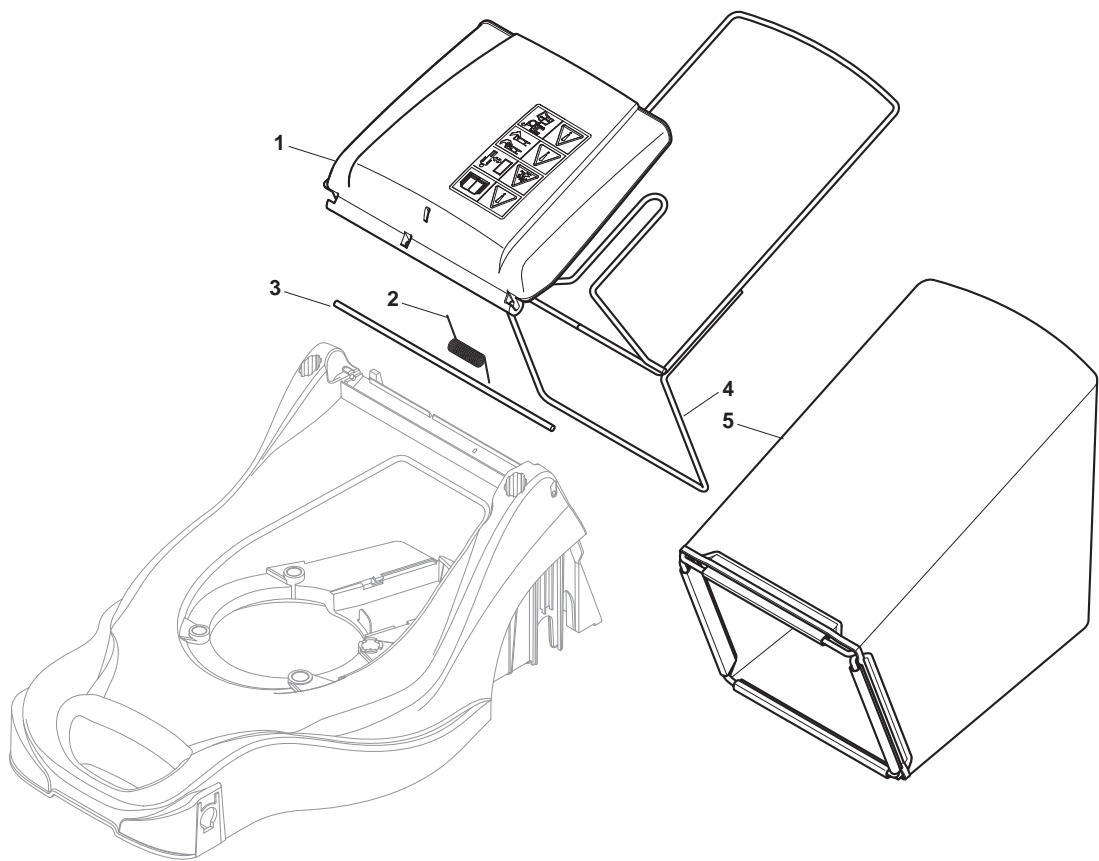
POS	PART. NO	Q.ty	DESCRIPTION	DESCRIZIONE	DESCRIPTION	BESCHREIBUNG	REMARKS
1	381006739/0	1	Handle, Upper Part	Manico, Parte Sup	Mancheron, Partie Superieure	Holm, Oberteil	
2	122430313/0	1	Guide Spring	Molla Guida	Ressort De Guide	Feder Führer	
3	112521330/0	1	Washer	Rosetta	Rondelle	Scheibe	
4	112154510/0	1	Nut	Dado	Ecrou	Mutter	
5	118390020/0	1	Fairlead	Fermacavo	Fixation Cable	Kabelbefestigung	
6	181030053/0	1	Cable, Thread Engine Brake	Cavo Freno Motore	Cable Frein Moteur	Kabel, Motorbremse	GGP150cc
6	181030079/0	1	Cable, Thread Engine Brake	Cavo Freno Motore	Cable Frein Moteur	Kabel, Motorbremse	GGP100cc-Honda-B&S
7	181003363/1	1	Lever, Engine Brake Black	Leva Freno Motore Nero	Levier Frein Moteur Noir	Hebel, Motorbremse Schwarz	
8	112727783/0	1	Screw	Vite	Vis	Schraube	
9	322551640/0	1	Plate	Piastrina	Plaquette	Plättchen	
10	112154510/0	1	Nut	Dado	Ecrou	Mutter	
11	381030080/0	1	Cable, Rear Drive	Cavo Comando Trazione	Câble, Comm. Traction	Kabel, Antrieb	
12	181003364/0	1	Lever, Driving Black	Leva Trazione Nero	Levier Traction Noir	Hebel, Antrieb Schwarz	



POS	PART. NO	Q.ty	DESCRIPTION	DESCRIZIONE	DESCRIPTION	BESCHREIBUNG	REMARKS
1	122465607/3	1	Hub With Pulley, Crankshaft Ø 22.2	Mozzo Con Puleggia, Albero Motore Ø 22.2	Moyeu Avec Poulie, Arbre Moteur Ø 22.2	Nabe Mit Scheibe, Motorwelle Ø 22.2	GGP
1	122465608/2	1	Hub With Pulley, Crankshaft Ø 25	Mozzo Con Puleggia, Albero Motore Ø 25	Moyeu Avec Poulie, Arbre Moteur Ø 25	Nabe Mit Scheibe, Motorwelle Ø 25	Honda
2	181004360/3	1	Blade Standard	Coltello Standard	Lame Standard	Messer Standard	
3	122160400/0	1	Elastic Washer	Disco Elastico	Disque Elastique	Federscheibe	
4	112523080/0	1	Washer	Rosetta	Rondelle	Scheibe	
5	112735698/0	1	Screw	Vite	Vis	Schraube	
6	112139100/0	1	Feather, Crankshaft Ø 22.2	Linguetta, Albero Motore Ø 22.2	Clavette, Arbre Moteur Ø 22.2	Keil, Motorwelle Ø 22.2	GGP
6	112139150/0	1	Feather, Crankshaft Ø 25	Linguetta, Albero Motore Ø 25	Clavette, Arbre Moteur Ø 25	Keil, Motorwelle Ø 25	Honda
7	112691910/0	3	Screw	Vite	Vis	Schraube	
8	112523060/0	3	Washer	Rosetta	Rondelle	Scheibe	
9	122167842/0	3	Spacer	Distanziale	Entretoise	Distanzring	
10	112154210/0	3	Nut	Dado	Ecrou	Mutter	
11	122040265/0	1	Bush	Bussola	Douille	Büchse	



POS	PART. NO	Q.ty	DESCRIPTION	DESCRIZIONE	DESCRIPTION	BESCHREIBUNG	REMARKS
1	122465607/3	1	Hub With Pulley, Crankshaft Ø 22.2	Mozzo Con Puleggia, Albero Motore Ø 22.2	Moyeu Avec Poulie, Arbre Moteur Ø 22.2	Nabe Mit Scheibe, Motorwelle Ø 22.2	
2	181004360/3	1	Blade Standard	Coltello Standard	Lame Standard	Messer Standard	
3	122160400/0	1	Elastic Washer	Disco Elastico	Disque Elastique	Federscheibe	
4	112523080/0	1	Washer	Rosetta	Rondelle	Scheibe	
5	112735698/0	1	Screw	Vite	Vis	Schraube	
6	112139100/0	1	Feather, Crankshaft Ø 22.2	Linguetta, Albero Motore Ø 22.2	Clavette, Arbre Moteur Ø 22.2	Keil, Motorwelle Ø 22.2	
7	112154210/0	3	Screw	Vite	Vis	Schraube	
8	112523060/0	3	Washer	Rosetta	Rondelle	Scheibe	
9	122167842/0	3	Spacer	Distanziale	Entretoise	Distanzring	
10	112691910/0	3	Nut	Dado	Ecrou	Mutter	
11	122040265/0	1	Bush	Bussola	Douille	Büchse	
12	322484070/1	1	Muffler Guard	Paracalore	Grille De Protection	Schutzabdeckung	



POS	PART. NO	Q.ty	DESCRIPTION	DESCRIZIONE	DESCRIPTION	BESCHREIBUNG	REMARKS
1	322600212/0	1	Stone-Guard	Parasassi	Pare-Pierres	Prallblech	
2	122450467/0	1	Spring	Molla	Ressort	Feder	
3	122517870/0	1	Pin	Perno	Pivot	Bolzen	
4	181006420/0	1	Chassis Box	Telaio Sacco	Châassis Bac	Rahmen Sack	
5	181002320/0	1	Box, Fabric	Sacco, Tela	Sac, Toile	Sack, Tuck	