

# ILLUSTRATED PARTS LIST

## CAL 534 W TR 4S



- Use GLOBAL GARDEN PRODUCT Genuine Spare Parts specified in the parts list for repair and/or replacement.
- The contents described in the parts list may change due to improvement.
- The drawings of the spare parts are only indicative and might not represent the part in question exactly.
- The indications "right" - "left" - "front" - "rear" refer to the position of the operator when using the machine.
- When placing orders of parts for repair and/or replacement, make sure that the illustrated parts list is the one applying to the machine's year of manufacture, as shown on the identification plate attached to the machine.

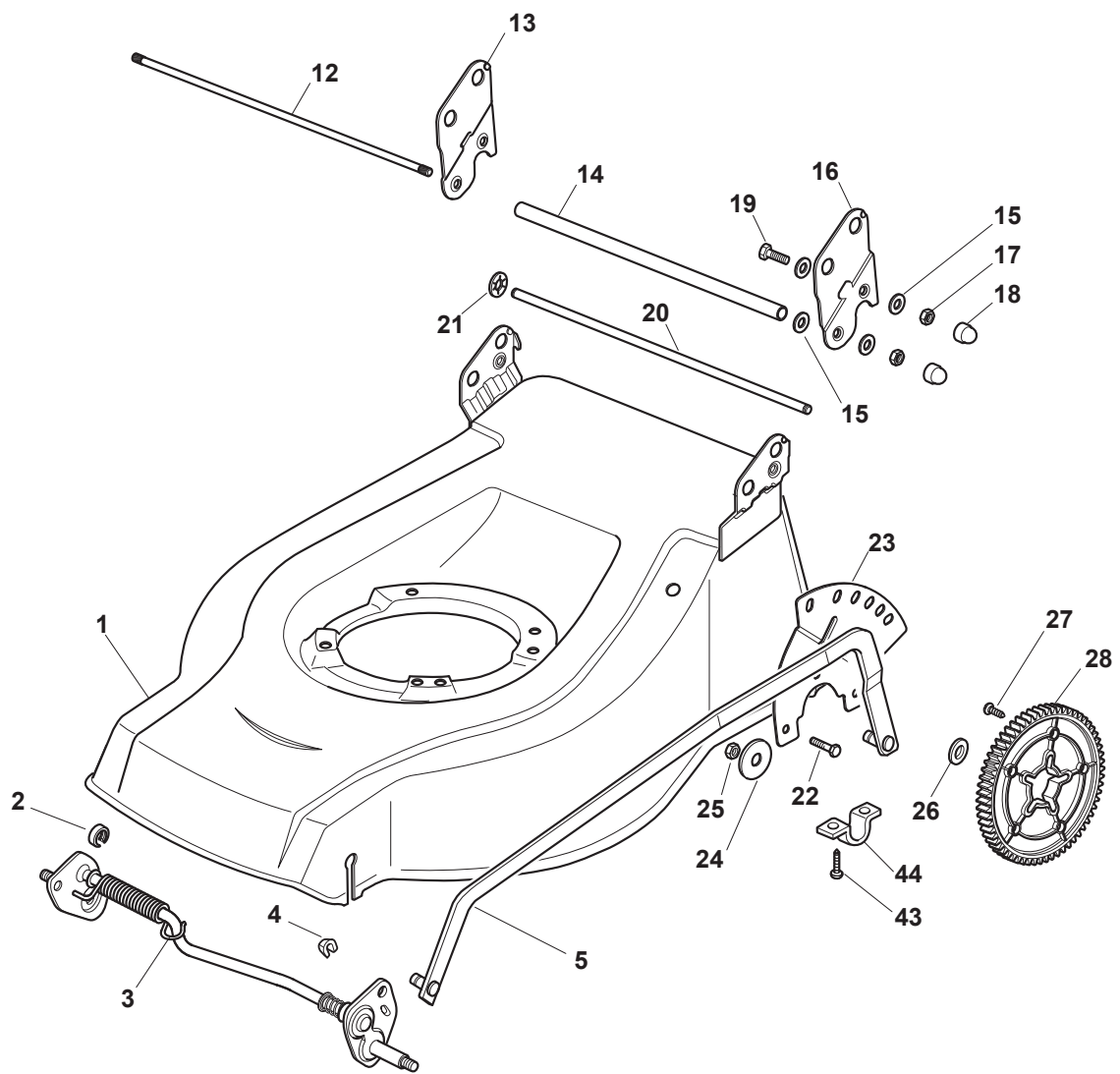
© Copyright 2013 Global Garden Products

All content is subject to copyright by Global Garden Products and may not be reproduced in whole or in part by any means, electronic or otherwise, without prior written approval.

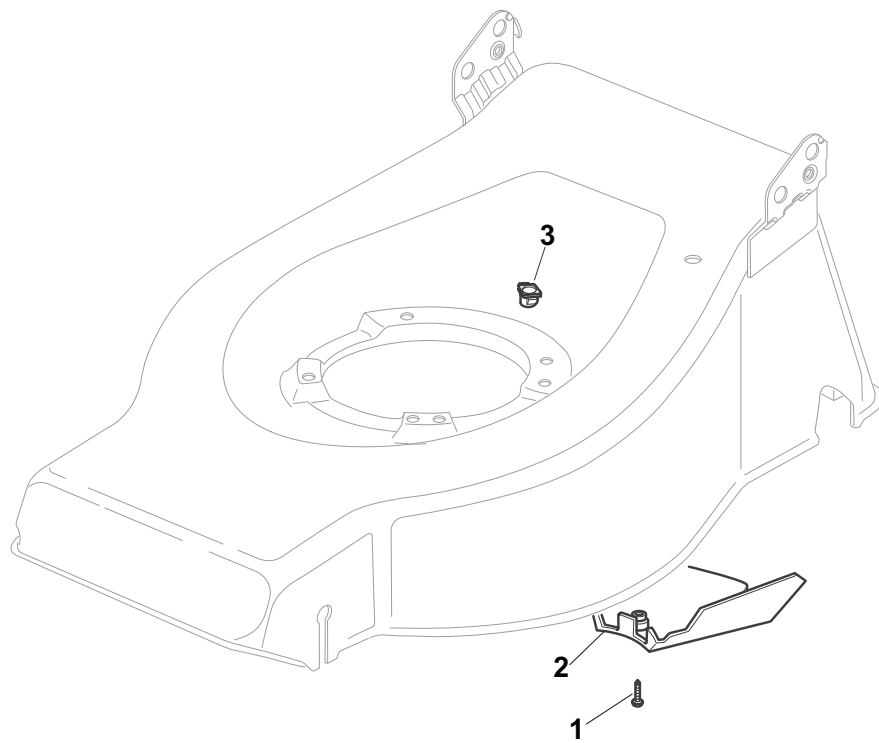
THIS INFORMATION IS NOT INTENDED FOR SALE OR RESALE, AND THIS NOTICE MUST REMAIN ON ALL COPIES.



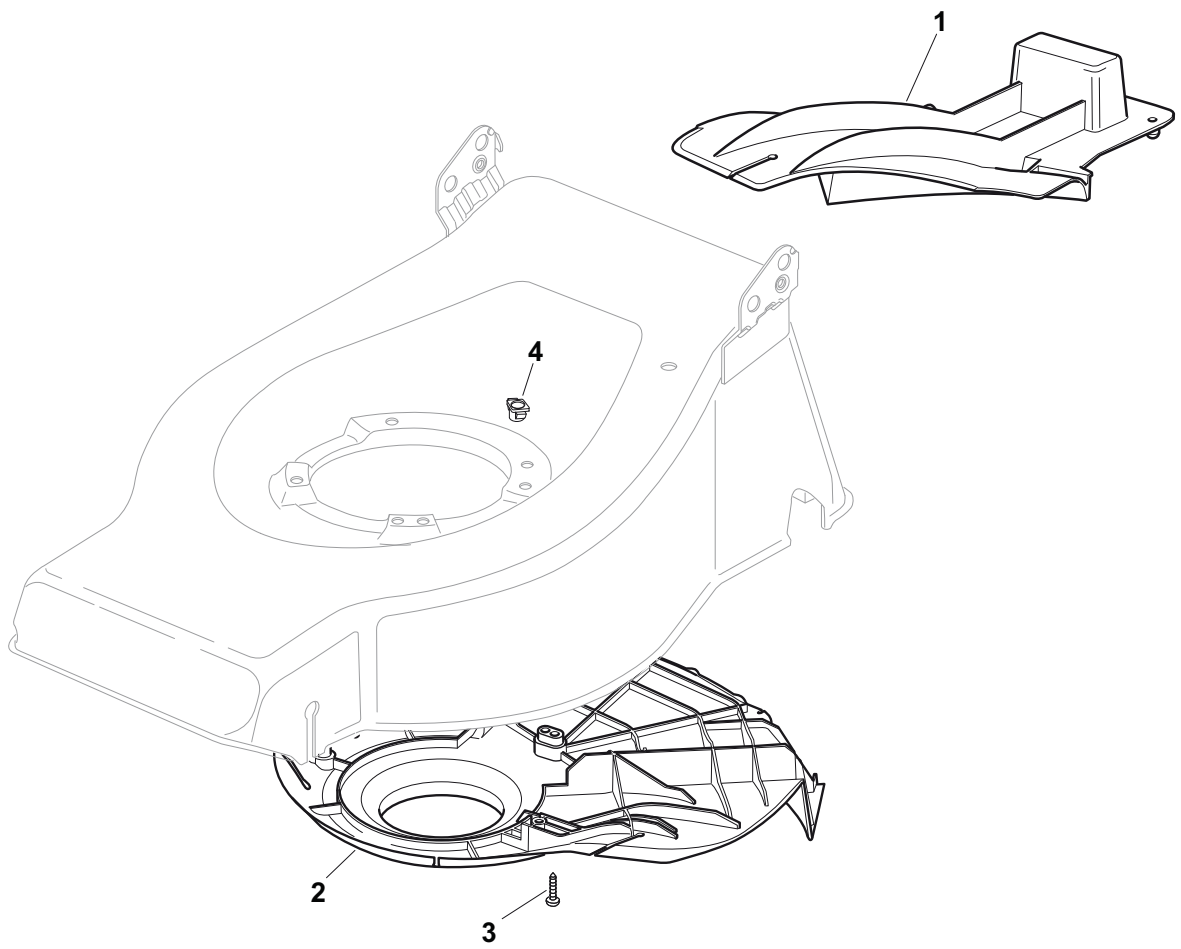
GLOBAL GARDEN PRODUCTS



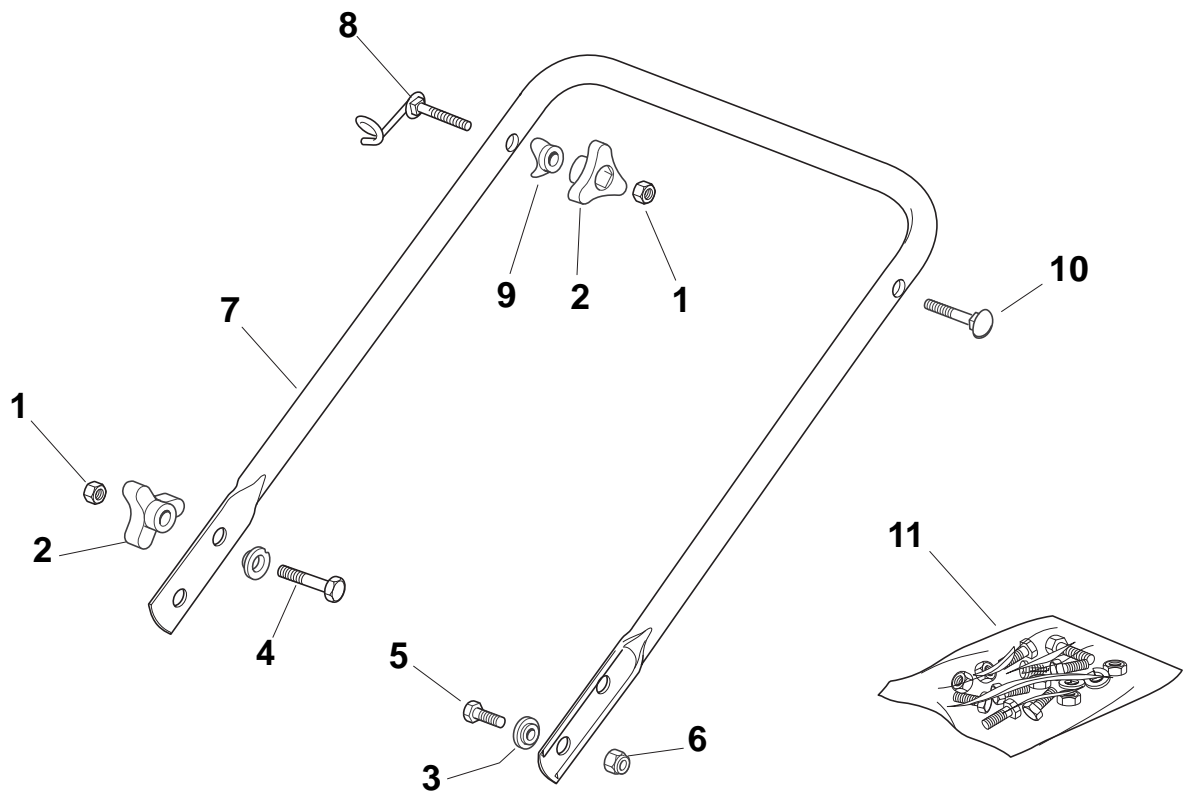
| POS | PART. NO    | Q.ty | DESCRIPTION               | DESCRIZIONE                 | DESCRIPTION               | BESCHREIBUNG            | REMARKS |
|-----|-------------|------|---------------------------|-----------------------------|---------------------------|-------------------------|---------|
| 1   | 381002356/1 | 1    | Deck Red                  | Chassis Rosso               | Châssis Rouge             | Gehäuse Rot             |         |
| 1   | 381003618/1 | 1    | Deck INOX                 | Chassis INOX                | Châssis INOX              | Gehäuse INOX            |         |
| 2   | 122171002/0 | 2    | Spacer                    | Distanziale                 | Entretoise                | Distanzring             |         |
| 3   | 381002859/0 | 1    | Axle, Front Wheels        | Asse Ruote Anteriori        | Axe Roues Avant           | Achse, Vorderrad        |         |
| 4   | 112436051/0 | 2    | Plate                     | Piastrina                   | Plaquette                 | Plättchen               |         |
| 5   | 381002017/0 | 1    | Rod, Height Adjustment    | Asta Comando Regol. Altezza | Tige Commande Reglage H   | Stange, Höheverstellung |         |
| 12  | 122517702/1 | 1    | Stone Guard Fulcrum       | Fulcro Parasassi            | Point D'Appui Parepierres | Drehpunkt Prallblech    |         |
| 13  | 322778427/0 | 1    | Bracket, R                | Staffa Dx                   | Etrier Droit              | Steigbügel, Rechte      |         |
| 14  | 322869717/0 | 1    | Spacer                    | Distanziale                 | Entretoise                | Distanzring             |         |
| 15  | 122671653/0 | 8    | Washer                    | Rosetta                     | Rondelle                  | Scheibe                 |         |
| 16  | 322778429/0 | 1    | Bracket, L                | Staffa Sx                   | Etrier Gauche             | Steigbügel, Linke       |         |
| 17  | 112155000/0 | 4    | Nut                       | Dado                        | Ecrou                     | Mutter                  |         |
| 18  | 118203854/0 | 4    | Protection                | Cappuccio                   | Capuchon                  | Stecker                 |         |
| 19  | 112793301/0 | 2    | Screw                     | Vite                        | Vis                       | Schraube                |         |
| 20  | 122517860/0 | 1    | Pin                       | Perno                       | Pivot                     | Bolzen                  |         |
| 21  | 112604899/0 | 2    | Crown Fastener            | Fissatore A Corona          | Fixateur A Couronne       | Kronescheibe            |         |
| 22  | 112792611/0 | 3    | Screw                     | Vite                        | Vis                       | Schraube                |         |
| 23  | 322735579/1 | 1    | Sector, Height Adjustment | Settore Regolazione Altezza | Secteur Reglage Hauteur   | Sektor, Höheverstellung |         |
| 24  | 112523060/0 | 3    | Washer                    | Rosetta                     | Rondelle                  | Scheibe                 |         |
| 25  | 112155000/0 | 3    | Nut                       | Dado                        | Ecrou                     | Mutter                  |         |
| 26  | 122675100/0 | 2    | Washer                    | Rosetta                     | Rondelle                  | Scheibe                 |         |
| 27  | 112728691/0 | 6    | Screw                     | Vite                        | Vis                       | Schraube                |         |
| 28  | 322120110/0 | 2    | Sprocket                  | Ruota Dentata               | Couronne                  | Zahnkettenrad           |         |
| 43  | 112731350/0 | 4    | Screw                     | Vite                        | Vis                       | Schraube                |         |
| 44  | 322545152/0 | 2    | Plate                     | Piastrina                   | Plaquette                 | Plättchen               |         |



| POS | PART. NO    | Q.ty | DESCRIPTION      | DESCRIZIONE      | DESCRIPTION          | BESCHREIBUNG   | REMARKS |
|-----|-------------|------|------------------|------------------|----------------------|----------------|---------|
| 1   | 112728530/0 | 1    | Screw            | Vite             | Vis                  | Schraube       |         |
| 2   | 122060193/0 | 1    | Protection, Belt | Carter Cinghia   | Protection Courroire | Schutz, Riemen |         |
| 2   | 122060196/0 | 1    | Protection, Belt | Carter Cinghia   | Protection Courroire | Schutz, Riemen |         |
| 3   | 322291150/0 | 1    | Rubber Insert    | Inserto In Gomma | Insert De            | Gummi Einsatz  |         |

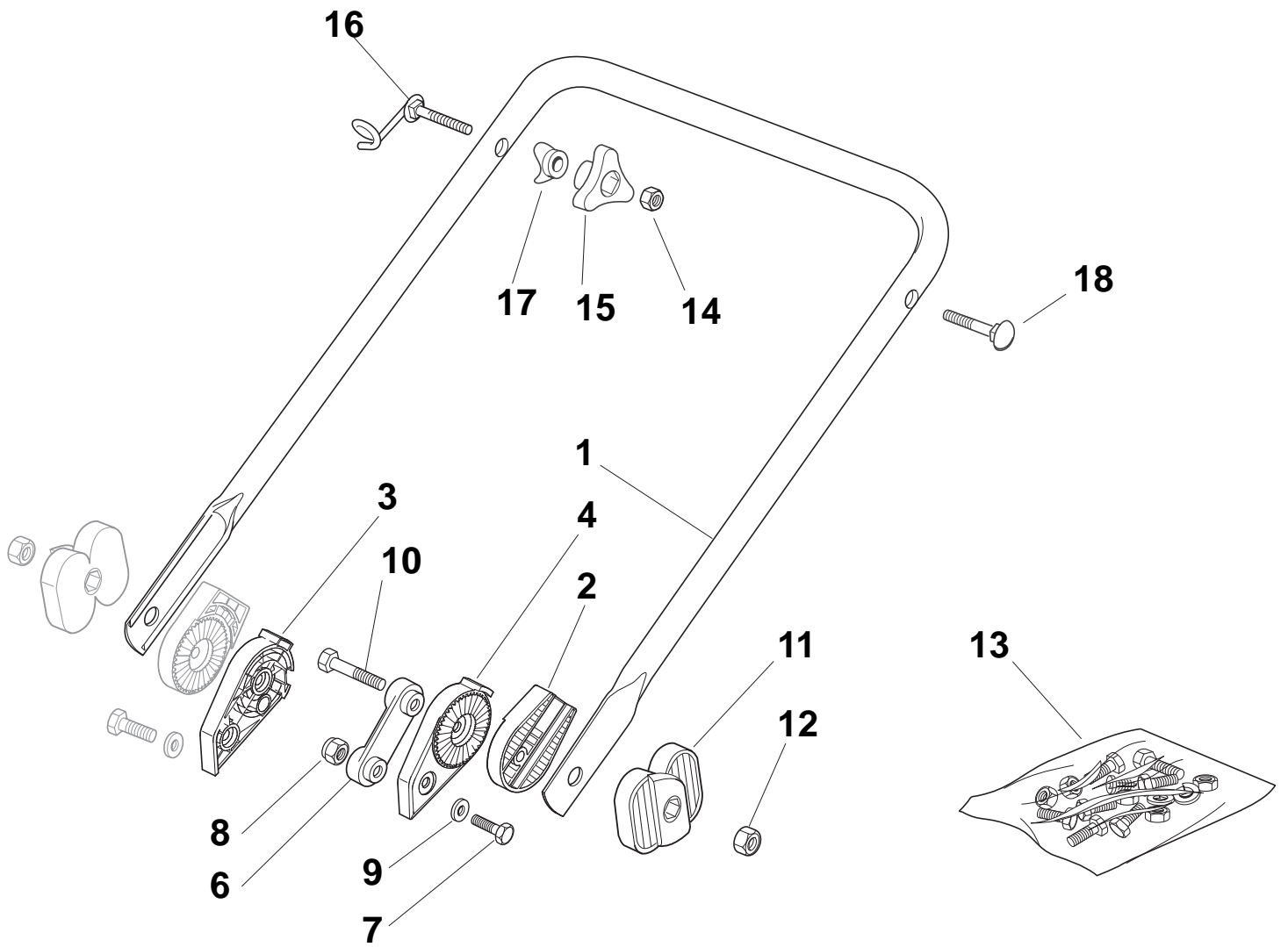


| POS | PART. NO    | Q.ty | DESCRIPTION      | DESCRIZIONE      | DESCRIPTION         | BESCHREIBUNG   | REMARKS |
|-----|-------------|------|------------------|------------------|---------------------|----------------|---------|
| 1   | 122140222/0 | 1    | Deflector        | Deflettore       | Deflecteur          | Abweiser       |         |
| 2   | 322060197/3 | 1    | Protection, Belt | Carter Cinghia   | Protection Courroie | Schutz, Riemen |         |
| 3   | 112728530/0 | 3    | Screw            | Vite             | Vis                 | Schraube       |         |
| 4   | 322291150/0 | 1    | Rubber Insert    | Inserto In Gomma | Insert De           | Gummi Einsatz  |         |

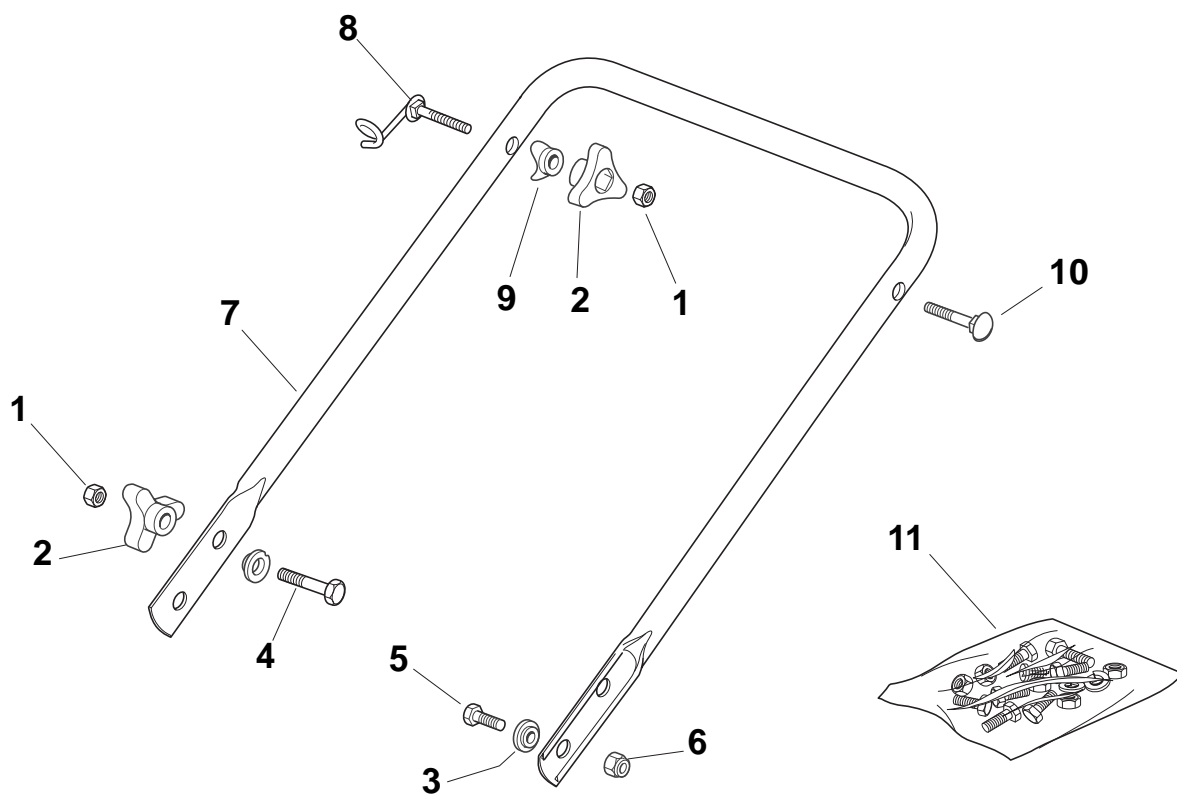




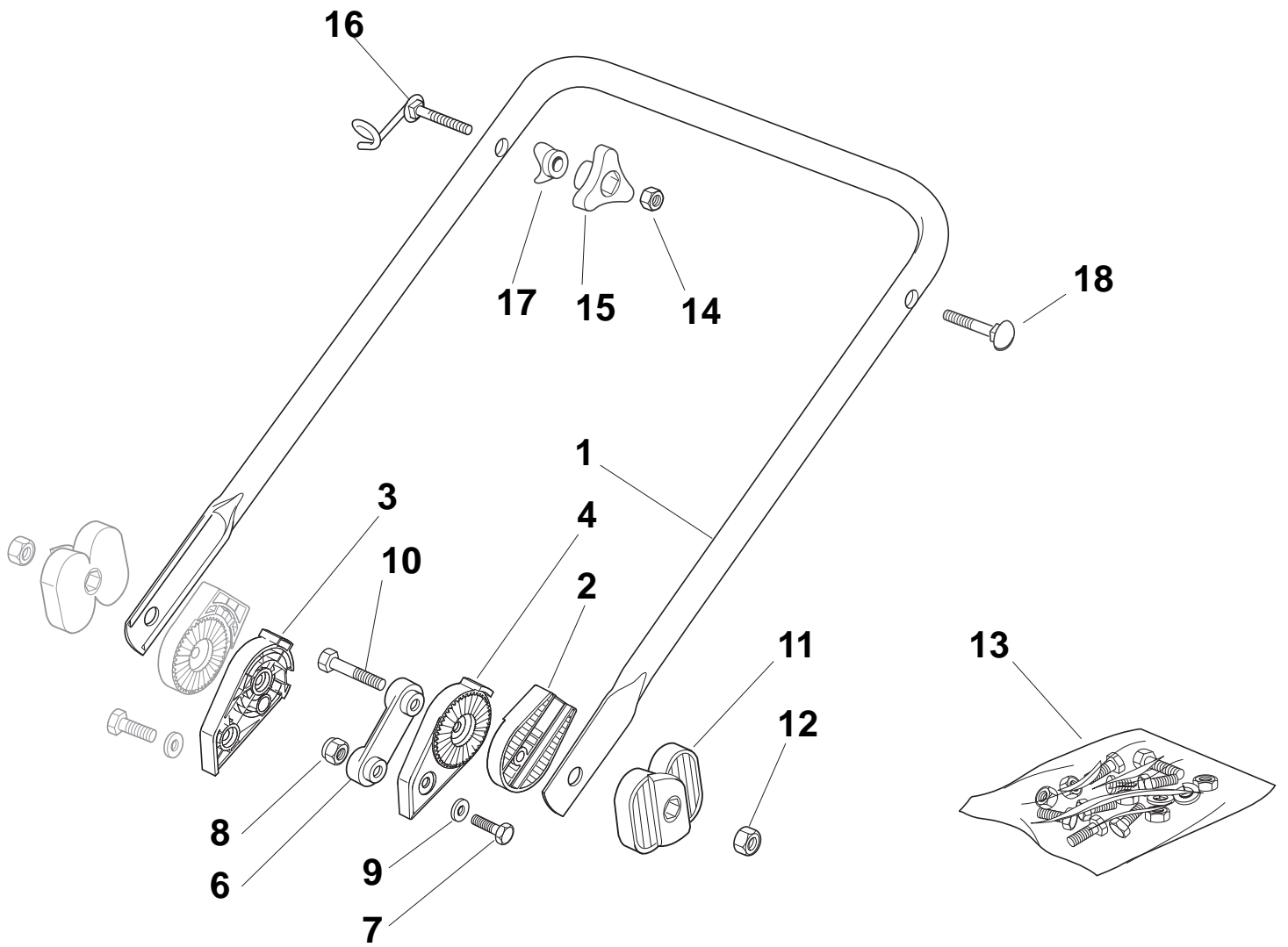
| POS | PART. NO    | Q.ty | DESCRIPTION        | DESCRIZIONE       | DESCRIPTION                  | BESCHREIBUNG    | REMARKS |
|-----|-------------|------|--------------------|-------------------|------------------------------|-----------------|---------|
| 1   | 112293200/0 | 4    | Nut                | Dado              | Ecrou                        | Mutter          |         |
| 2   | 122399900/0 | 4    | Knob               | Manopolina        | Poignée                      | Griff           |         |
| 3   | 322041955/0 | 4    | Bush               | Bussola           | Douille                      | Büchse          |         |
| 4   | 112793700/0 | 2    | Screw              | Vite              | Vis                          | Schraube        |         |
| 5   | 112792610/0 | 2    | Screw              | Vite              | Vis                          | Schraube        |         |
| 6   | 112155000/0 | 2    | Nut                | Dado              | Ecrou                        | Mutter          |         |
| 7   | 381006990/0 | 1    | Handle, Upper Part | Manico, Parte Sup | Mancheron, Partie Superieure | Holm, Oberteil  |         |
| 8   | 181003801/1 | 1    | Guide Spring       | Molla Guida       | Ressort De Guide             | Feder Führer    |         |
| 9   | 122680006/1 | 2    | Washer             | Rosetta           | Rondelle                     | Scheibe         |         |
| 10  | 112819201/0 | 1    | Screw              | Vite              | Vis                          | Schraube        |         |
| 11  | 381008614/3 | 1    | Outfit, Screws     | Dotazione Viteria | Dotation Visserie            | Satz, Schrauben |         |



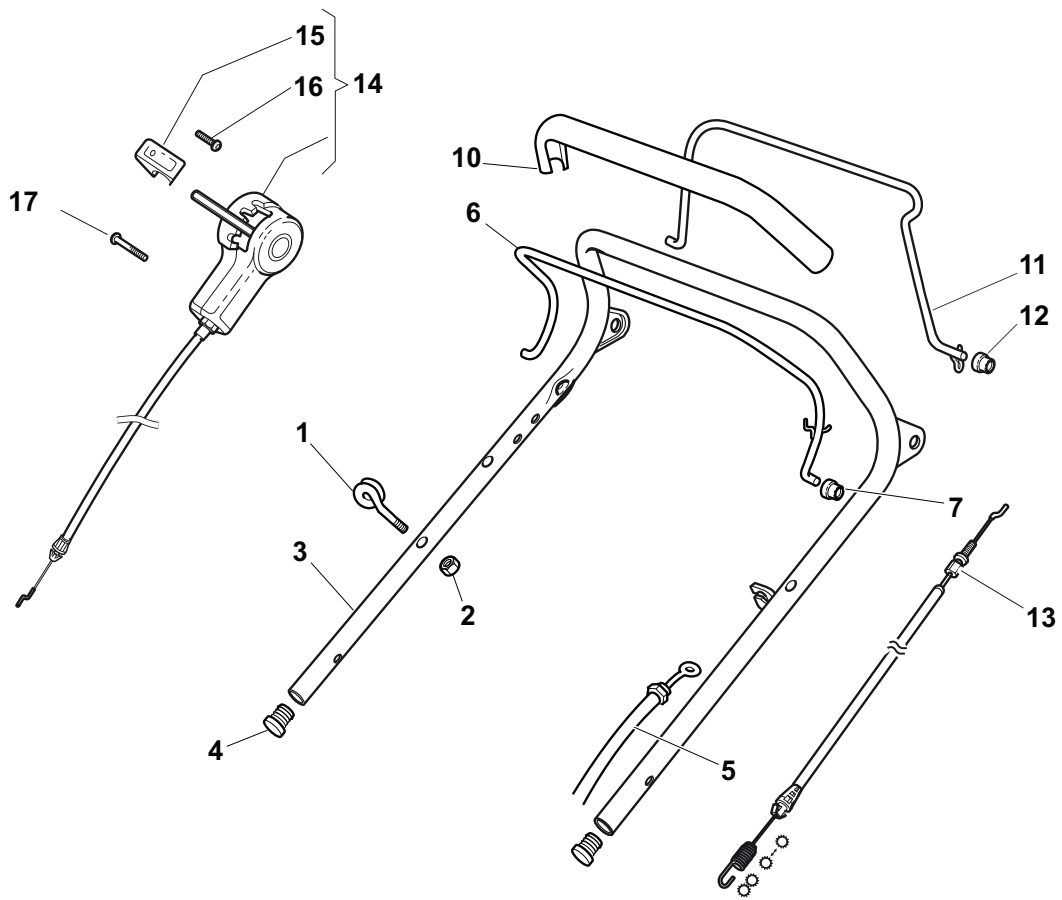
| POS | PART. NO    | Q.ty | DESCRIPTION         | DESCRIZIONE        | DESCRIPTION                | BESCHREIBUNG     | REMARKS |
|-----|-------------|------|---------------------|--------------------|----------------------------|------------------|---------|
| 1   | 381006532/0 | 1    | Handle, Lower Part  | Parte Inf Maniglia | Poignée, Partie Inferieure | Griff, Unterteil |         |
| 2   | 322785081/1 | 2    | Support, External   | Supporto Esterno   | Support Externe            | Halter, Außere   |         |
| 3   | 122785082/0 | 1    | Support, R Internal | Supporto Interno   | Support Interne D          | Halter, Innere R |         |
| 4   | 122785083/1 | 1    | Support, L Internal | Supporto Interno   | Support Interne G          | Halter, Innere L |         |
| 6   | 122551575/0 | 2    | Plate, Inside       | Piastrina Interna  | Plaquette Interne          | Platte, Innere   |         |
| 7   | 112793301/0 | 2    | Screw               | Vite               | Vis                        | Schraube         |         |
| 8   | 112155000/0 | 2    | Nut                 | Dado               | Ecrou                      | Mutter           |         |
| 9   | 112521350/0 | 2    | Washer              | Rosetta            | Rondelle                   | Scheibe          |         |
| 10  | 112691810/0 | 2    | Screw               | Vite               | Vis                        | Schraube         |         |
| 11  | 122399803/0 | 2    | Knob                | Manopolina         | Poignée                    | Griff            |         |
| 12  | 112293202/0 | 2    | Nut                 | Dado               | Ecrou                      | Mutter           |         |
| 13  | 181008623/1 | 1    | Outfit, Screws      | Dotazione Viteria  | Dotation Visserie          | Satz, Schrauben  |         |
| 14  | 112293200/0 | 2    | Nut                 | Dado               | Ecrou                      | Mutter           |         |
| 15  | 122399900/0 | 2    | Knob                | Manopolina         | Poignée                    | Griff            |         |
| 16  | 181003801/1 | 2    | Guide Spring        | Molla Guida        | Ressort De Guide           | Feder Führer     |         |
| 17  | 122680006/1 | 2    | Washer              | Rosetta            | Rondelle                   | Scheibe          |         |
| 18  | 112819201/0 | 1    | Screw               | Vite               | Vis                        | Schraube         |         |



| POS | PART. NO    | Q.ty | DESCRIPTION        | DESCRIZIONE        | DESCRIPTION                | BESCHREIBUNG     | REMARKS |
|-----|-------------|------|--------------------|--------------------|----------------------------|------------------|---------|
| 1   | 112293202/0 | 4    | Nut                | Dado               | Ecrou                      | Mutter           |         |
| 2   | 122399803/0 | 4    | Knob               | Manopolina         | Poignée                    | Griff            |         |
| 3   | 322041955/0 | 4    | Bush               | Bussola            | Douille                    | Büchse           |         |
| 4   | 112793700/0 | 2    | Screw              | Vite               | Vis                        | Schraube         |         |
| 5   | 112792610/0 | 2    | Screw              | Vite               | Vis                        | Schraube         |         |
| 6   | 112155000/0 | 2    | Nut                | Dado               | Ecrou                      | Mutter           |         |
| 7   | 112819125/0 | 2    | Screw              | Vite               | Vis                        | Schraube         |         |
| 8   | 122680006/1 | 2    | Washer             | Rosetta            | Rondelle                   | Scheibe          |         |
| 11  | 381006973/0 | 2    | Handle, Lower Part | Parte Inf Maniglia | Poignée, Partie Inferieure | Griff, Unterteil |         |
| 12  | 381008633/0 | 1    | Outfit, Screws     | Dotazione Viteria  | Dotation Visserie          | Satz, Schrauben  |         |

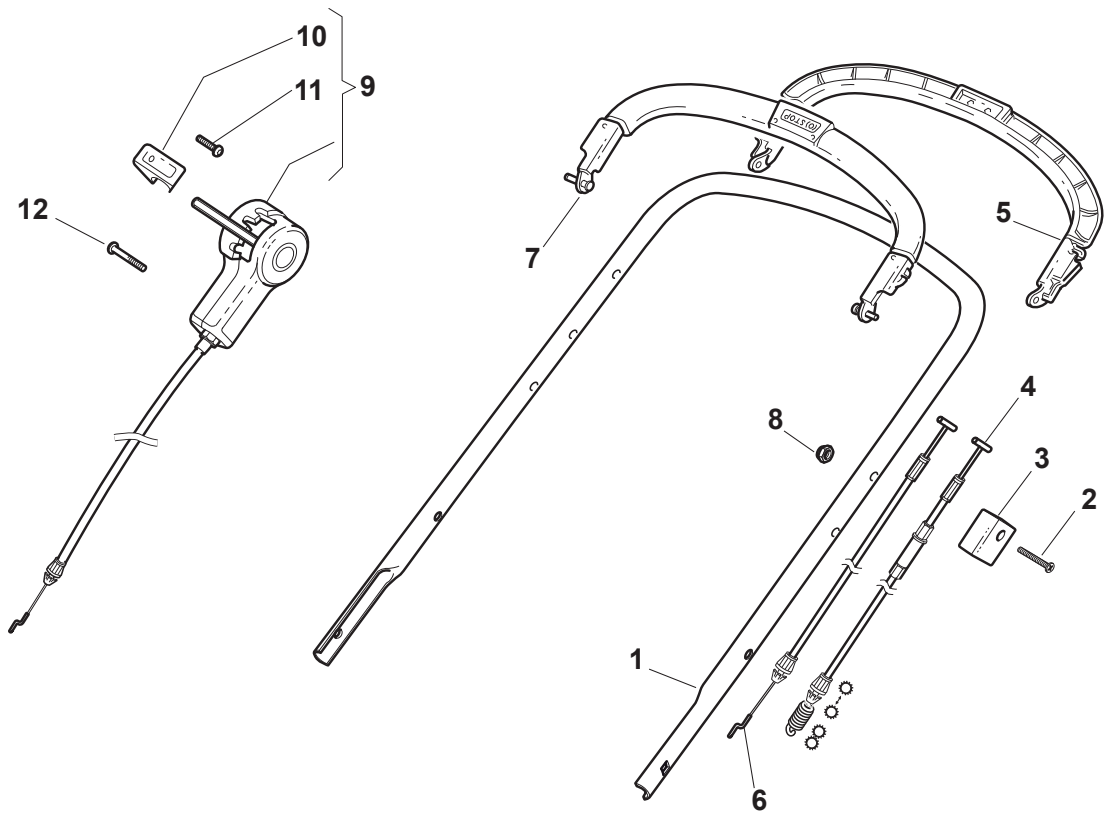


| POS | PART. NO    | Q.ty | DESCRIPTION         | DESCRIZIONE        | DESCRIPTION                | BESCHREIBUNG     | REMARKS |
|-----|-------------|------|---------------------|--------------------|----------------------------|------------------|---------|
| 1   | 112293202/0 | 4    | Nut                 | Dado               | Ecrou                      | Mutter           |         |
| 2   | 122399803/0 | 4    | Knob                | Manopolina         | Poignée                    | Griff            |         |
| 3   | 322785081/1 | 2    | Support, External   | Supporto Esterno   | Support Externe            | Halter, Außere   |         |
| 4   | 122785083/1 | 1    | Support, L Internal | Supporto Interno   | Support Interne D          | Halter, Innere R |         |
| 5   | 122551575/0 | 2    | Plate, Inside       | Piastrina Interna  | Plaquette Interne          | Platte, Innere   |         |
| 6   | 112691810/0 | 2    | Screw               | Vite               | Vis                        | Schraube         |         |
| 7   | 112155000/0 | 2    | Nut                 | Dado               | Ecrou                      | Mutter           |         |
| 8   | 122785082/0 | 1    | Support, R Internal | Supporto Interno   | Support Interne D          | Halter, Innere R |         |
| 9   | 112521350/0 | 2    | Washer              | Rosetta            | Rondelle                   | Scheibe          |         |
| 10  | 112793301/0 | 2    | Screw               | Vite               | Vis                        | Schraube         |         |
| 11  | 112819125/0 | 2    | Screw               | Vite               | Vis                        | Schraube         |         |
| 12  | 122680006/1 | 2    | Washer              | Rosetta            | Rondelle                   | Scheibe          |         |
| 15  | 381006531/0 | 2    | Handle, Lower Part  | Parte Inf Maniglia | Poignée, Partie Inferieure | Griff, Unterteil |         |
| 16  | 381008633/0 | 1    | Outfit, Screws      | Dotazione Viteria  | Dotation Visserie          | Satz, Schrauben  |         |

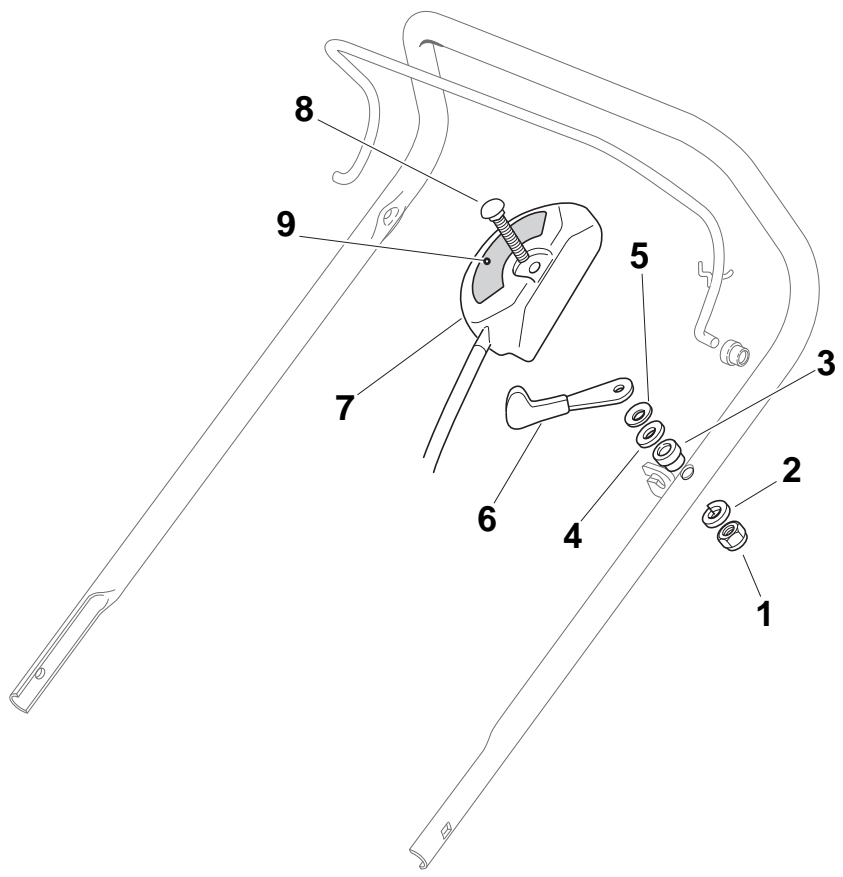




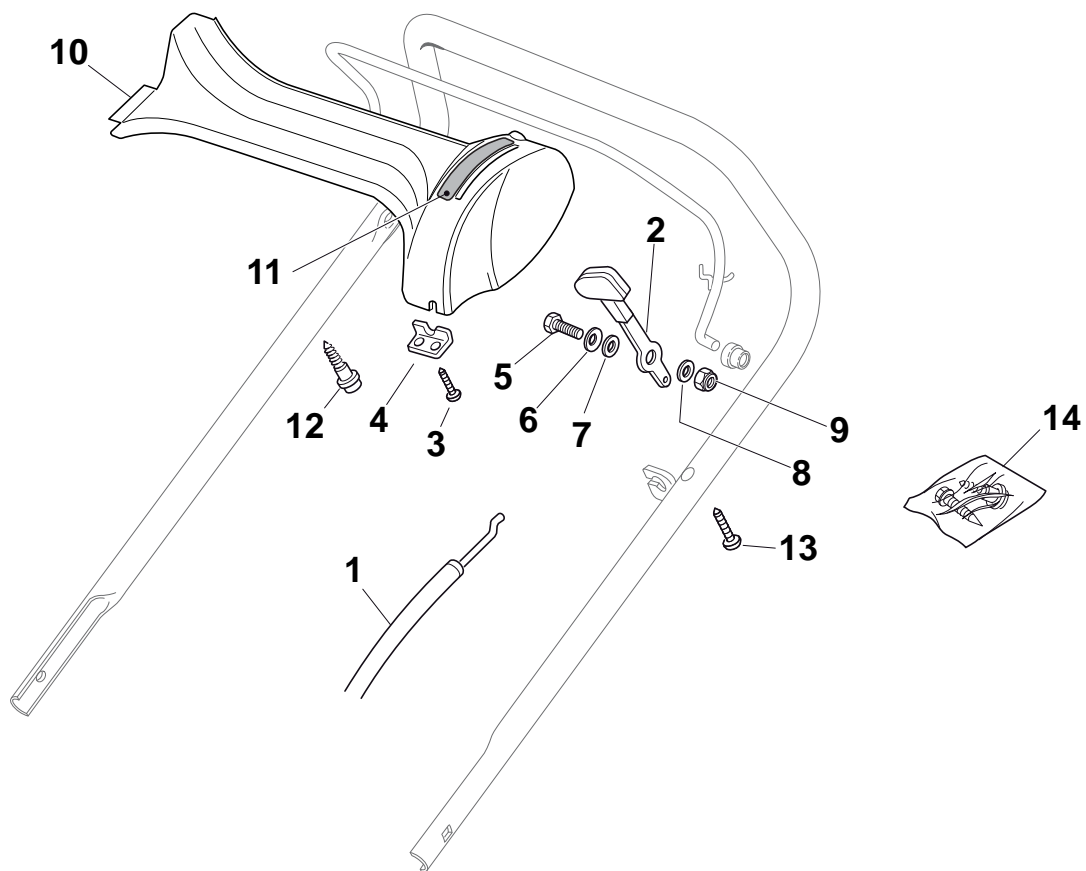
| POS | PART. NO    | Q.ty | DESCRIPTION                | DESCRIZIONE             | DESCRIPTION                     | BESCHREIBUNG         | REMARKS      |
|-----|-------------|------|----------------------------|-------------------------|---------------------------------|----------------------|--------------|
| 1   | 122430309/0 | 1    | Spring                     | Molla                   | Ressort                         | Feder                |              |
| 2   | 112154330/0 | 1    | Nut                        | Dado                    | Ecrou                           | Mutter               |              |
| 3   | 381006989/0 | 1    | Handle, Upper Part         | Manico, Parte Sup       | Mancheron, Partie Superieure    | Holm, Oberteil       |              |
| 4   | 118566110/0 | 2    | Cap                        | Puntale                 | Bouchon                         | Gummistopfen         |              |
| 5   | 181000616/1 | 1    | Cable, Thread Engine Brake | Cavo Freno Motore       | Cable Frein Moteur              | Kabel, Motorbremse   | Honda Engine |
| 5   | 181000622/2 | 1    | Cable, Thread Engine Brake | Cavo Freno Motore       | Cable Frein Moteur              | Kabel, Motorbremse   | GGP 150cc    |
| 5   | 181000756/0 | 1    | Cable, Thread Engine Brake | Cavo Freno Motore       | Cable Frein Moteur              | Kabel, Motorbremse   | GGP Engine   |
| 5   | 181000761/0 | 1    | Cable, Thread Engine Brake | Cavo Freno Motore       | Cable Frein Moteur              | Kabel, Motorbremse   | B&S Engine   |
| 5   | 181030009/0 | 1    | Cable, Thread Engine Brake | Cavo Freno Motore       | Cable Frein Moteur              | Kabel, Motorbremse   | B&S 700      |
| 6   | 181003291/3 | 1    | Lever, Engine Brake        | Leva Freno Motore       | Levier Frein Moteur             | Hebel, Motorbremse   |              |
| 7   | 122041966/0 | 2    | Bush                       | Bussola                 | Douille                         | Büchse               |              |
| 10  | 122291050/0 | 1    | Handgrip Black             | Impugnatura Manico Nera | Poignée Noir                    | Handgriff Schwarz    |              |
| 11  | 181003288/1 | 1    | Lever, Driving             | Leva Trazione           | Levier Traction                 | Antriebhebel         |              |
| 12  | 322041965/1 | 2    | Bush                       | Bussola                 | Douille                         | Büchse               |              |
| 13  | 381000668/1 | 1    | Cable, Rear Drive          | Cavo Comando Trazione   | Câble, Comm. Traction           | Kabel, Antrieb       |              |
| 13  | 381000672/0 | 1    | Cable, Rear Drive          | Cavo Comando Trazione   | Câble, Comm. Traction           | Kabel, Antrieb       |              |
| 14  | 381007110/0 | 1    | Cable, Speed Drive Control | Cavo Comando Marce      | Cable, Comm. Changement Vitesse | Kabel, Gängeschaltun |              |
| 15  | 322399820/0 | 1    | Knob                       | Manopolina              | Poignée                         | Griff                |              |
| 16  | 112728300/0 | 1    | Screw                      | Vite                    | Vis                             | Schraube             |              |
| 17  | 112728702/0 | 2    | Screw                      | Vite                    | Vis                             | Schraube             |              |



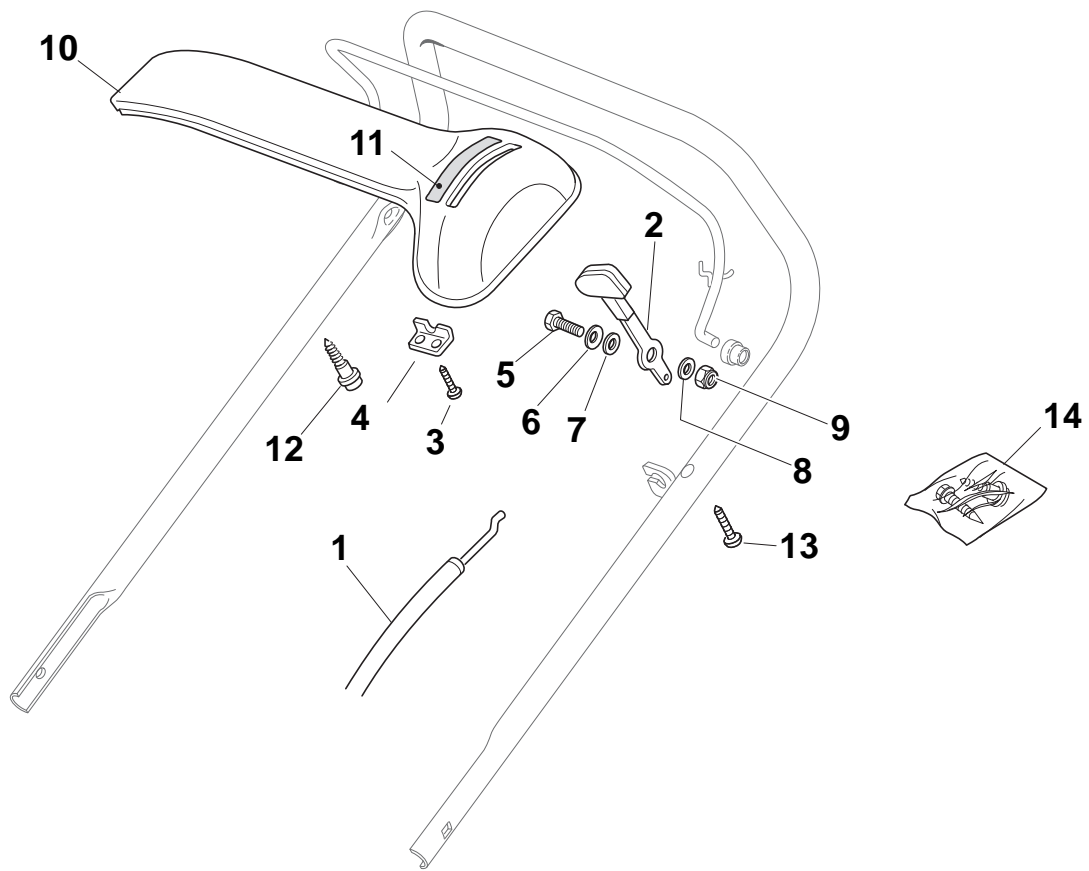
| POS | PART. NO    | Q.ty | DESCRIPTION                | DESCRIZIONE           | DESCRIPTION                     | BESCHREIBUNG         | REMARKS   |
|-----|-------------|------|----------------------------|-----------------------|---------------------------------|----------------------|-----------|
| 1   | 381006979/2 | 1    | Handle, Upper Part         | Manico, Parte Sup     | Mancheron, Partie Superieure    | Holm, Oberteil       |           |
| 2   | 112689500/0 | 1    | Screw                      | Vite                  | Vis                             | Schraube             |           |
| 3   | 322551640/0 | 1    | Plate                      | Piastrina             | Plaquette                       | Plättchen            |           |
| 4   | 381000709/2 | 1    | Cable, Rear Drive          | Cavo Comando Trazione | Câble, Comm. Traction           | Kabel, Antrieb       |           |
| 5   | 381003297/1 | 1    | Driving Lever              | Leva Trazione         | Levier Traction                 | Antriebhebel         |           |
| 6   | 181030011/0 | 1    | Cable, Thread Engine Brake | Cavo Freno Motore     | Cable Frein Moteur              | Kabel, Motorbremse   | B&S 700   |
| 6   | 381000743/0 | 1    | Cable, Thread Eng. Brake   | Cavo Freno Motore     | Cable Frein Moteur              | Kabel, Motorbremse   | GGP 150cc |
| 7   | 381003330/0 | 1    | Lever, Engine Brake        | Leva Freno Motore     | Levier Frein Moteur             | Hebel, Motorbremse   |           |
| 8   | 112154510/0 | 1    | Nut                        | Dado                  | Ecrou                           | Mutter               |           |
| 9   | 381007110/0 | 1    | Cable, Speed Drive Control | Cavo Comando Marce    | Cable, Comm. Changement Vitesse | Kabel, Gängeschaltun |           |
| 10  | 322399820/0 | 1    | Knob                       | Manopolina            | Poignée                         | Griff                |           |
| 11  | 112728300/0 | 1    | Screw                      | Vite                  | Vis                             | Schraube             |           |
| 12  | 112728702/0 | 2    | Screw                      | Vite                  | Vis                             | Schraube             |           |



| POS | PART. NO    | Q.ty | DESCRIPTION     | DESCRIZIONE        | DESCRIPTION          | BESCHREIBUNG        | REMARKS                    |
|-----|-------------|------|-----------------|--------------------|----------------------|---------------------|----------------------------|
| 1   | 112291000/0 | 1    | Nut             | Dado               | Ecrou                | Mutter              |                            |
| 2   | 112581500/0 | 1    | Grower          | Grower             | Grower               | Federring           |                            |
| 3   | 122171005/0 | 1    | Spacer          | Distanziale        | Entretoise           | Distanzring         |                            |
| 4   | 112521360/0 | 1    | Washer          | Rosetta            | Rondelle             | Scheibe             |                            |
| 5   | 112508100/0 | 1    | Spring Washer   | Rosetta Elastica   | Rondelle Elastique   | Elastische Scheibe  |                            |
| 6   | 381007220/0 | 1    | Lever, Throttle | Leva, Acceleratore | Levier, Accelérateur | Hebel, Beshleuniger | B&S 450-500 / GGP<br>150cc |
| 6   | 381007279/1 | 1    | Lever, Throttle | Leva, Acceleratore | Levier, Accelérateur | Hebel, Beshleuniger | B&S-GGP-Honda              |
| 7   | 481007080/0 | 1    | Throttle Cable  | Cavo Acceleratore  | Cable, Accelérateur  | Gashebel Kabel      |                            |
| 8   | 112815000/0 | 1    | Screw           | Vite               | Vis                  | Schraube            |                            |
| 9   | 114356702/0 | 1    | Label           | Etichetta          | Etiquette            | Etikette            | GGP                        |
| 9   | 114356702/0 | 1    | Label           | Etichetta          | Etiquette            | Etikette            | Honda                      |
| 9   | 114356703/0 | 1    | Label           | Etichetta          | Etiquette            | Etikette            | B&S                        |
| 9   | 114356905/0 | 1    | Label           | Etichetta          | Etiquette            | Etikette            | DOV                        |
| 9   | 114356905/0 | 1    | Label           | Etichetta          | Etiquette            | Etikette            | Honda Autochoke            |
| 9   | 114364264/0 | 1    | Label           | Etichetta          | Etiquette            | Etikette            | AVS                        |

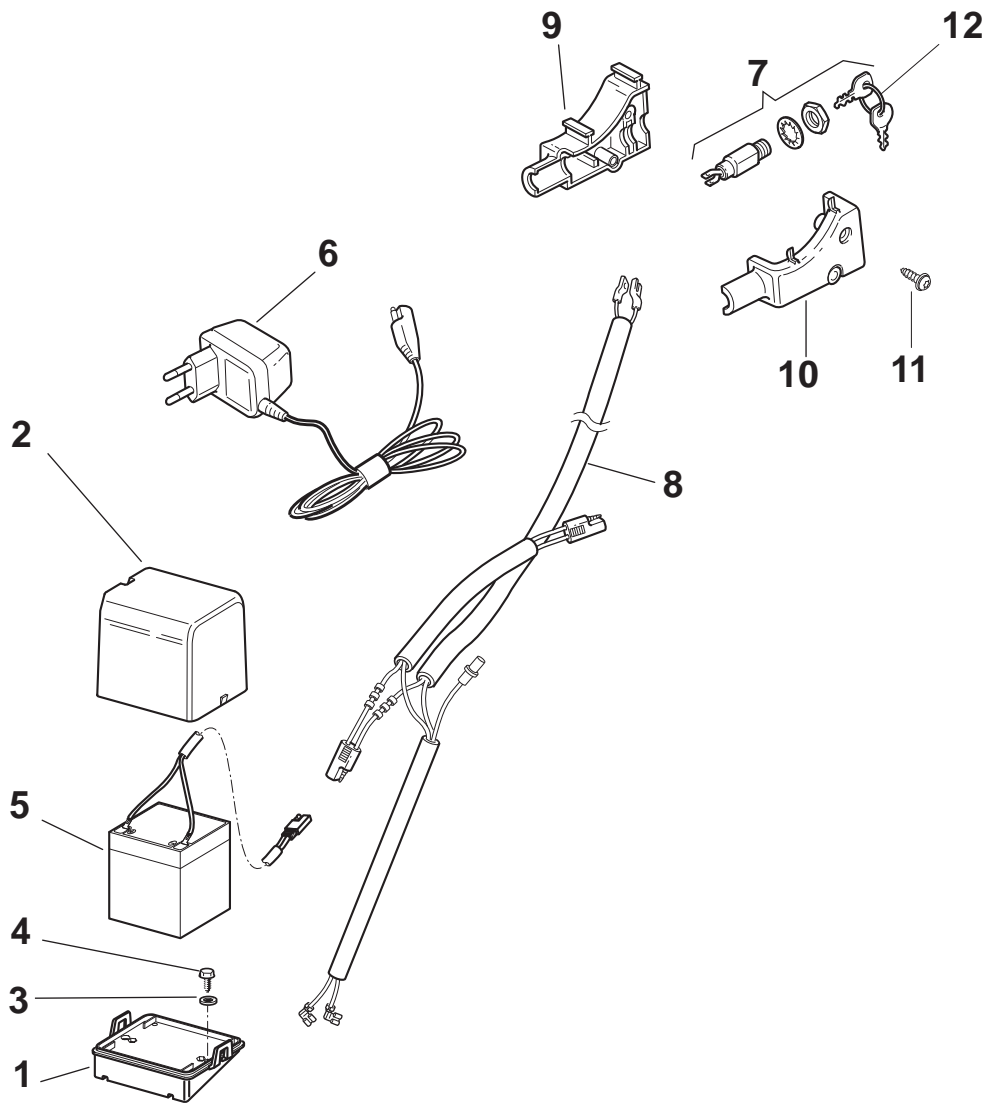


| POS | PART. NO    | Q.ty | DESCRIPTION       | DESCRIZIONE        | DESCRIPTION          | BESCHREIBUNG        | REMARKS                 |
|-----|-------------|------|-------------------|--------------------|----------------------|---------------------|-------------------------|
| 1   | 481007160/0 | 1    | Throttle Cable    | Cavo Acceleratore  | Cable, Accelérateur  | Gashebel Kabel      |                         |
| 2   | 381007221/0 | 1    | Lever, Throttle   | Leva, Acceleratore | Levier, Accelérateur | Hebel, Beshleuniger | B&S 450-500 / GGP 150cc |
| 2   | 381007280/2 | 1    | Lever, Throttle   | Leva, Acceleratore | Levier, Accelérateur | Hebel, Beshleuniger | B&S-GGP-Honda           |
| 3   | 112735105/0 | 2    | Screw             | Vite               | Vis                  | Schraube            |                         |
| 4   | 322981467/0 | 1    | Plate             | Piastrina          | Plaque               | Plättchen           |                         |
| 5   | 112791500/0 | 1    | Screw             | Vite               | Vis                  | Schraube            |                         |
| 6   | 112530060/0 | 1    | Elastic Washer    | Disco Elastico     | Disque Elastique     | Federscheibe        |                         |
| 7   | 112523040/0 | 1    | Washer            | Rosetta            | Rondelle             | Scheibe             |                         |
| 8   | 112523040/0 | 1    | Washer            | Rosetta            | Rondelle             | Scheibe             |                         |
| 9   | 112154510/0 | 1    | Nut               | Dado               | Ecrou                | Mutter              |                         |
| 10  | 422120152/0 | 1    | Dash Board Yellow | Cruscotto Giallo   | Console Jaune        | Konsole Gelbe       |                         |
| 10  | 422120154/0 | 1    | Dash Board Red    | Cruscotto Rosso    | Console Rouge        | Konsole Rote        |                         |
| 10  | 422120158/0 | 1    | Dash Board Black  | Cruscotto Nero     | Console Noire        | Konsole Schwarze    |                         |
| 11  | 114356743/1 | 1    | Label             | Etichetta          | Etiquette            | Etikette            | GGP                     |
| 11  | 114356743/1 | 1    | Label             | Etichetta          | Etiquette            | Etikette            | Honda                   |
| 11  | 114356744/1 | 1    | Label             | Etichetta          | Etiquette            | Etikette            | B&S                     |
| 11  | 114356906/1 | 1    | Label             | Etichetta          | Etiquette            | Etikette            | DOV                     |
| 11  | 114357646/1 | 1    | Label             | Etichetta          | Etiquette            | Etikette            | Honda Autochoke         |
| 12  | 122943006/0 | 1    | Screw             | Vite               | Vis                  | Schraube            |                         |
| 13  | 112728460/0 | 1    | Screw             | Vite               | Vis                  | Schraube            |                         |
| 14  | 381008609/0 | 1    | Outfit, Screws    | Dotazione Viteria  | Dotation Visserie    | Satz, Schrauben     |                         |

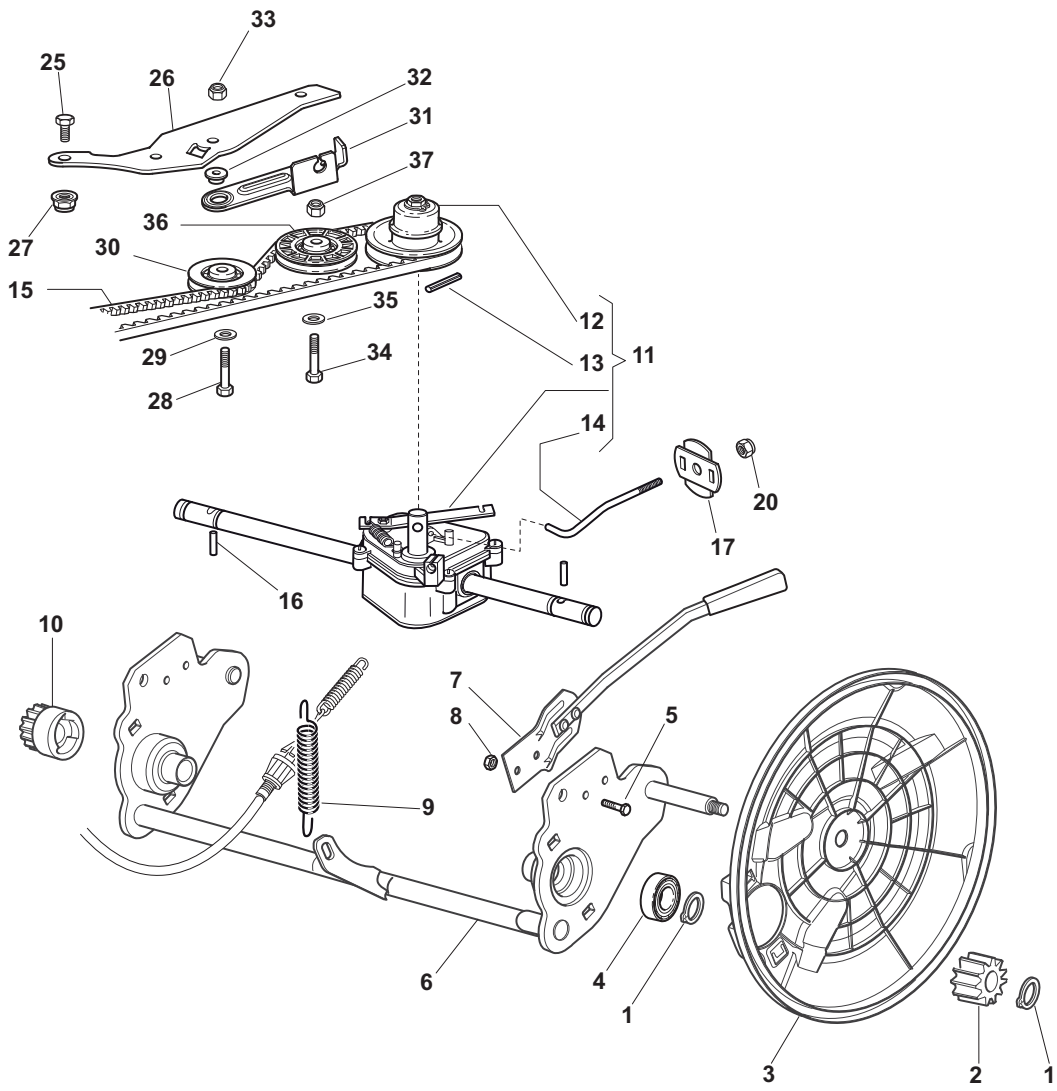




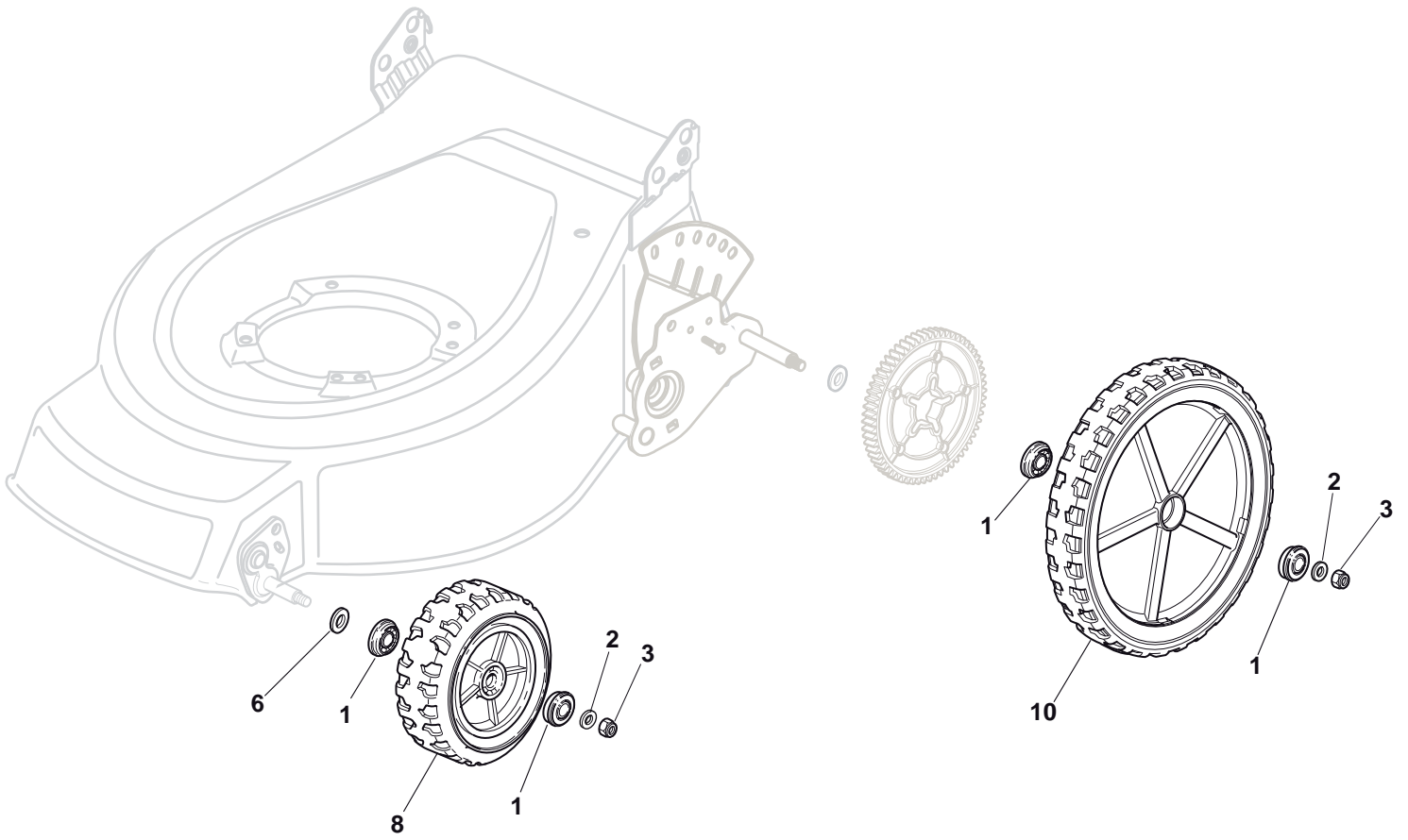
| POS | PART. NO    | Q.ty | DESCRIPTION       | DESCRIZIONE        | DESCRIPTION          | BESCHREIBUNG        | REMARKS                 |
|-----|-------------|------|-------------------|--------------------|----------------------|---------------------|-------------------------|
| 1   | 481007160/0 | 1    | Throttle Cable    | Cavo Acceleratore  | Cable, Accelérateur  | Gashebel Kabel      |                         |
| 2   | 381007221/0 | 1    | Lever, Throttle   | Leva, Acceleratore | Levier, Accelérateur | Hebel, Beshleuniger | B&S 450-500 / GGP 150cc |
| 2   | 381007280/2 | 1    | Lever, Throttle   | Leva, Acceleratore | Levier, Accelérateur | Hebel, Beshleuniger | B&S-GGP-Honda           |
| 3   | 112735105/0 | 2    | Screw             | Vite               | Vis                  | Schraube            |                         |
| 4   | 322981467/0 | 1    | Plate             | Piastrina          | Plaquette            | Plättchen           |                         |
| 5   | 112791500/0 | 1    | Screw             | Vite               | Vis                  | Schraube            |                         |
| 6   | 112530060/0 | 1    | Elastic Washer    | Disco Elastico     | Disque Elastique     | Federscheibe        |                         |
| 7   | 112523040/0 | 1    | Washer            | Rosetta            | Rondelle             | Scheibe             |                         |
| 8   | 112523040/0 | 1    | Washer            | Rosetta            | Rondelle             | Scheibe             |                         |
| 9   | 112154510/0 | 1    | Nut               | Dado               | Ecrou                | Mutter              |                         |
| 10  | 422120172/0 | 1    | Dash Board Black  | Cruscotto Nero     | Console Noire        | Konsole Schwarze    |                         |
| 10  | 422120173/0 | 1    | Dash Board Red    | Cruscotto Rosso    | Console Rouge        | Konsole Rote        |                         |
| 10  | 422120174/0 | 1    | Dash Board Yellow | Cruscotto Giallo   | Console Jaune        | Konsole Gelbe       |                         |
| 11  | 114356743/1 | 1    | Label             | Etichetta          | Etiquette            | Etikette            | GGP                     |
| 11  | 114356743/1 | 1    | Label             | Etichetta          | Etiquette            | Etikette            | Honda                   |
| 11  | 114356744/1 | 1    | Label             | Etichetta          | Etiquette            | Etikette            | B&S                     |
| 11  | 114356906/1 | 1    | Label             | Etichetta          | Etiquette            | Etikette            | DOV                     |
| 11  | 114357646/1 | 1    | Label             | Etichetta          | Etiquette            | Etikette            | Honda Autochoke         |
| 12  | 122943006/0 | 1    | Screw             | Vite               | Vis                  | Schraube            |                         |
| 13  | 112728460/0 | 1    | Screw             | Vite               | Vis                  | Schraube            |                         |
| 14  | 381008609/0 | 1    | Outfit, Screws    | Dotazione Viteria  | Dotation Visserie    | Satz, Schrauben     |                         |



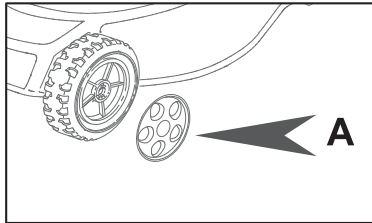
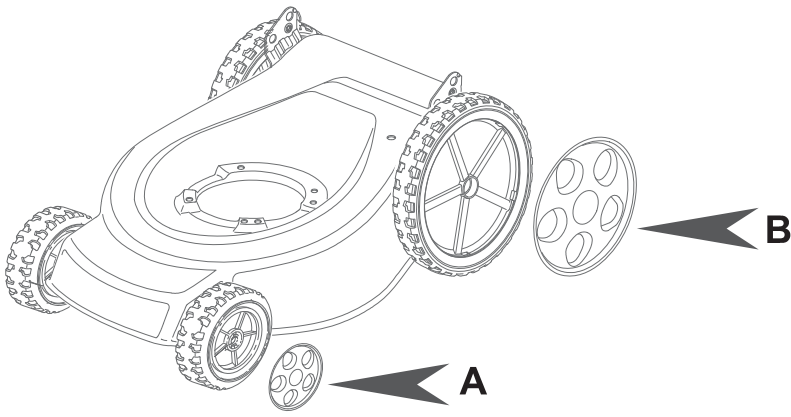
| POS | PART. NO    | Q.ty | DESCRIPTION      | DESCRIZIONE       | DESCRIPTION          | BESCHREIBUNG        | REMARKS        |
|-----|-------------|------|------------------|-------------------|----------------------|---------------------|----------------|
| 1   | 322785122/0 | 1    | Support, Battery | Supporto Batteria | Support Batterie     | Halter, Batterie    | Tecumseh       |
| 1   | 322785123/0 | 1    | Support, Battery | Supporto Batteria | Support Batterie     | Halter, Batterie    | GGP-B&S-Honda  |
| 2   | 322109530/0 | 1    | Cover            | Capottina         | Capot                | Haube               |                |
| 3   | 112521310/0 | 2    | Washer           | Rosetta           | Rondelle             | Scheibe             |                |
| 4   | 112731590/0 | 2    | Screw            | Vite              | Vis                  | Schraube            |                |
| 5   | 118120052/0 | 1    | Battery          | Batteria          | Batterie             | Batterie            |                |
| 6   | 118204120/0 | 1    | Battery Charger  | Carica Batteria   | Chargeur De Batterie | Ladgerät            | EU Plag        |
| 6   | 118204121/0 | 1    | Battery Charger  | Carica Batteria   | Chargeur De Batterie | Ladgerät            | Uk Plag        |
| 7   | 118450050/0 | 1    | Switch           | Interruttore      | Interrupteur         | Schalter            |                |
| 8   | 118204192/3 | 1    | Cable, Start     | Cavo Avviamento   | Cable Démarrage      | Kabel, Start        | GGP-B&S Engine |
| 8   | 118204198/0 | 1    | Cable, Start     | Cavo Avviamento   | Cable Démarrage      | Kabel, Start        | Honda Engine   |
| 9   | 322722804/1 | 1    | R Protection     | Protezione Dx     | Protection D         | Rechte Schutz       |                |
| 10  | 322722805/1 | 1    | L Protection     | Protezione Sx     | Protection G         | Linke Schutz        |                |
| 11  | 112728300/0 | 1    | Screw            | Vite              | Vis                  | Schraube            |                |
| 12  | 118210016/1 | 1    | Starting Key     | Chiave Avviamento | Clef A Demarrage     | Schlüssel Für Start |                |



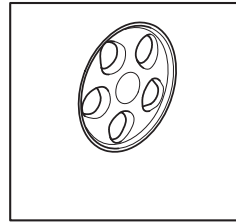
| POS | PART. NO    | Q.ty | DESCRIPTION              | DESCRIZIONE              | DESCRIPTION            | BESCHREIBUNG           | REMARKS |
|-----|-------------|------|--------------------------|--------------------------|------------------------|------------------------|---------|
| 1   | 112608600/0 | 4    | Seeger                   | Seeger                   | Seeger                 | Seeger                 |         |
| 2   | 122570110/1 | 1    | Pinion R                 | Pignone Dx               | Pignon D               | Ritzel Rechtes         |         |
| 3   | 322600160/0 | 2    | Protection, Wheel        | Protezione Ruote         | Protection Roue        | Schütz, Räder          |         |
| 4   | 119216035/0 | 2    | Bearing                  | Cuscinetto               | Coussinet              | Lager                  |         |
| 5   | 112789000/0 | 2    | Screw                    | Vite                     | Vis                    | Schraube               |         |
| 6   | 381002853/2 | 1    | Axle, Rear Wheels        | Asse Ruote Posteriore    | Axe Roues Arriere      | Achse, Hinterrad       |         |
| 7   | 381003326/0 | 1    | Lever, Height Adjustment | Leva Regolazione Altezza | Levier Reglage Hauteur | Hebel, Höheverstellung |         |
| 8   | 112154330/0 | 2    | Nut                      | Dado                     | Ecrou                  | Mutter                 |         |
| 9   | 122450460/0 | 1    | Spring                   | Molla                    | Ressort                | Feder                  |         |
| 10  | 122570120/1 | 1    | Pinion L                 | Pignone Sx               | Pignon G               | Ritzel Linkes          |         |
| 11  | 181003102/1 | 1    | Gear Box                 | Gruppo Trazione          | Groupe Traction        | Antrieb                |         |
| 12  | 122601925/0 | 1    | Pulley                   | Puleggia                 | Poulie                 | Riemenscheibe          |         |
| 13  | 112645700/0 | 1    | Pin                      | Perno                    | Pivot                  | Bolzen                 |         |
| 14  | 122033287/0 | 1    | Adjustment Rod           | Asta Regolazione         | Tige Reglage           | Verstellungstange      |         |
| 15  | 135064379/0 | 1    | Belt                     | Cinghia                  | Courroire              | Riemen                 |         |
| 16  | 122753000/0 | 2    | Pin                      | Perno                    | Pivot                  | Bolzen                 |         |
| 17  | 322675113/0 | 2    | Washer                   | Rosetta                  | Rondelle               | Scheibe                |         |
| 20  | 112154510/0 | 1    | Nut                      | Dado                     | Ecrou                  | Mutter                 |         |
| 25  | 112791011/0 | 1    | Screw                    | Vite                     | Vis                    | Schraube               |         |
| 26  | 322806625/1 | 1    | Support                  | Supporto                 | Support                | Halter                 |         |
| 27  | 112292102/0 | 1    | Nut                      | Dado                     | Ecrou                  | Mutter                 |         |
| 28  | 112689500/0 | 1    | Screw                    | Vite                     | Vis                    | Schraube               |         |
| 29  | 112523050/0 | 1    | Washer                   | Rosetta                  | Rondelle               | Scheibe                |         |
| 30  | 122601915/0 | 1    | Pulley                   | Puleggia                 | Poulie                 | Riemenscheibe          |         |
| 31  | 322806623/0 | 1    | Support                  | Supporto                 | Support                | Halter                 |         |
| 32  | 122671656/0 | 1    | Washer                   | Rosetta                  | Rondelle               | Scheibe                |         |
| 33  | 112154510/0 | 1    | Nut                      | Dado                     | Ecrou                  | Mutter                 |         |
| 34  | 112674700/0 | 1    | Screw                    | Vite                     | Vis                    | Schraube               |         |
| 35  | 112523050/0 | 1    | Washer                   | Rosetta                  | Rondelle               | Scheibe                |         |
| 36  | 122601914/0 | 1    | Pulley                   | Puleggia                 | Poulie                 | Riemenscheibe          |         |
| 37  | 112154510/0 | 1    | Nut                      | Dado                     | Ecrou                  | Mutter                 |         |



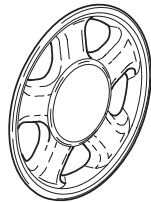
| POS | PART. NO    | Q.ty | DESCRIPTION    | DESCRIZIONE       | DESCRIPTION      | BESCHREIBUNG | REMARKS |
|-----|-------------|------|----------------|-------------------|------------------|--------------|---------|
| 1   | 122122200/0 | 8    | Bearing        | Cuscinetto        | Coussinet        | Lager        |         |
| 2   | 112521350/0 | 4    | Washer         | Rosetta           | Rondelle         | Scheibe      |         |
| 3   | 112155000/0 | 2    | Nut            | Dado              | Ecrou            | Mutter       |         |
| 6   | 112530150/0 | 2    | Elastic Washer | Disco Elastico    | Disque Elastique | Federscheibe |         |
| 8   | 381007390/1 | 2    | Wheel Ø 210    | Ruota Stiga Ø 210 | Roue Ø 210       | Rad. Ø 210   |         |
| 10  | 381007391/1 | 2    | Wheel Ø 300    | Ruota Ø 300       | Roue Ø 300       | Rad Ø 300    |         |



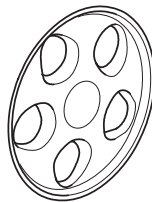
+



= A2



1



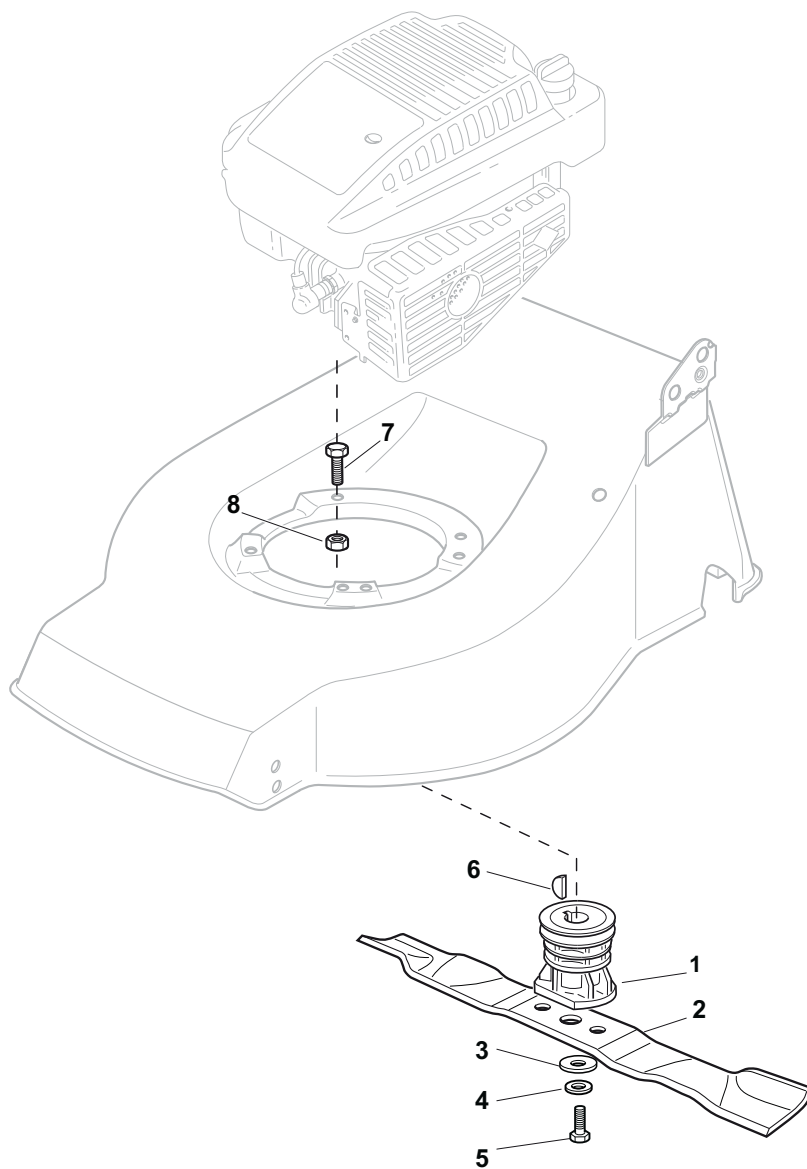
2



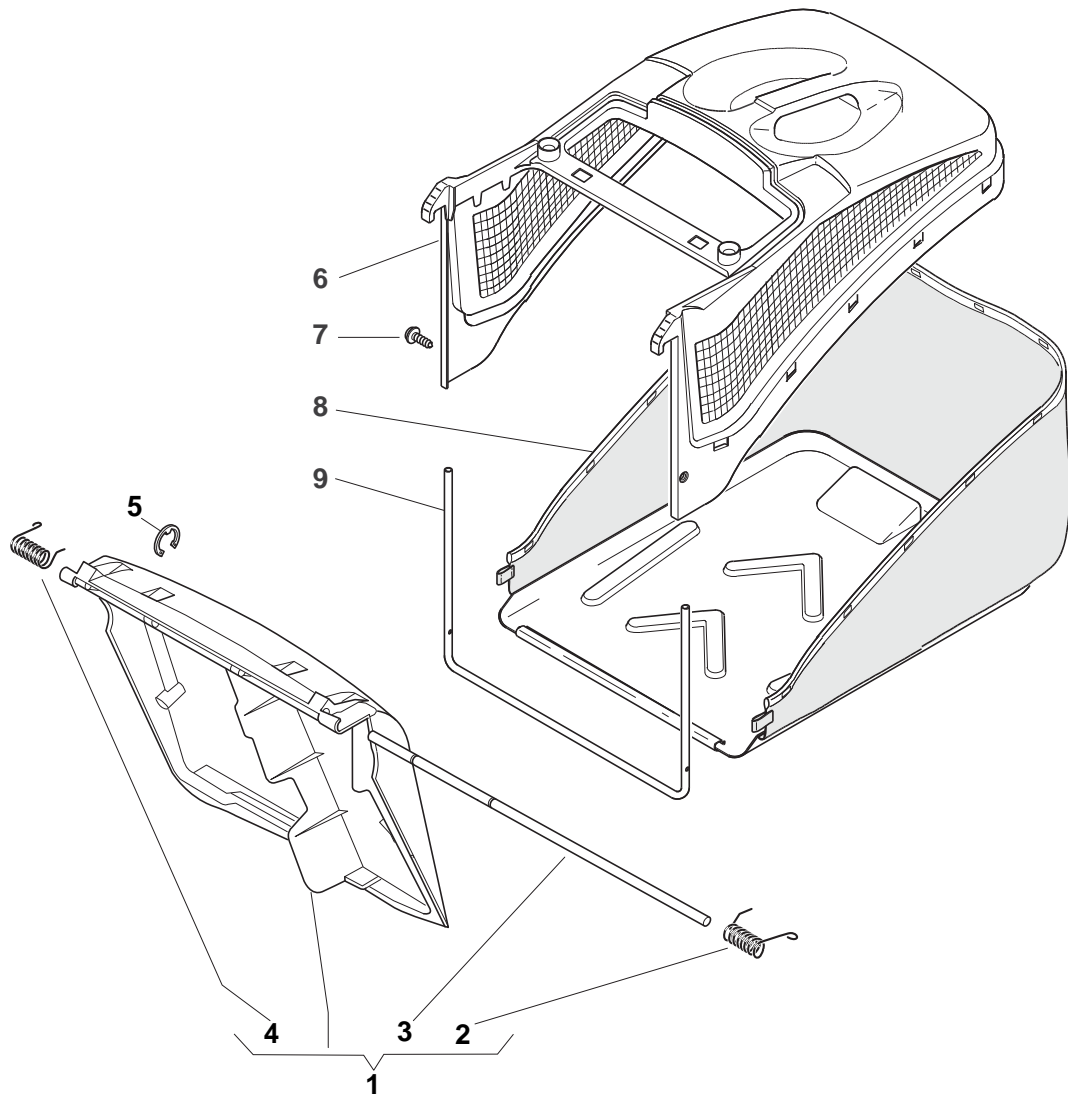
3



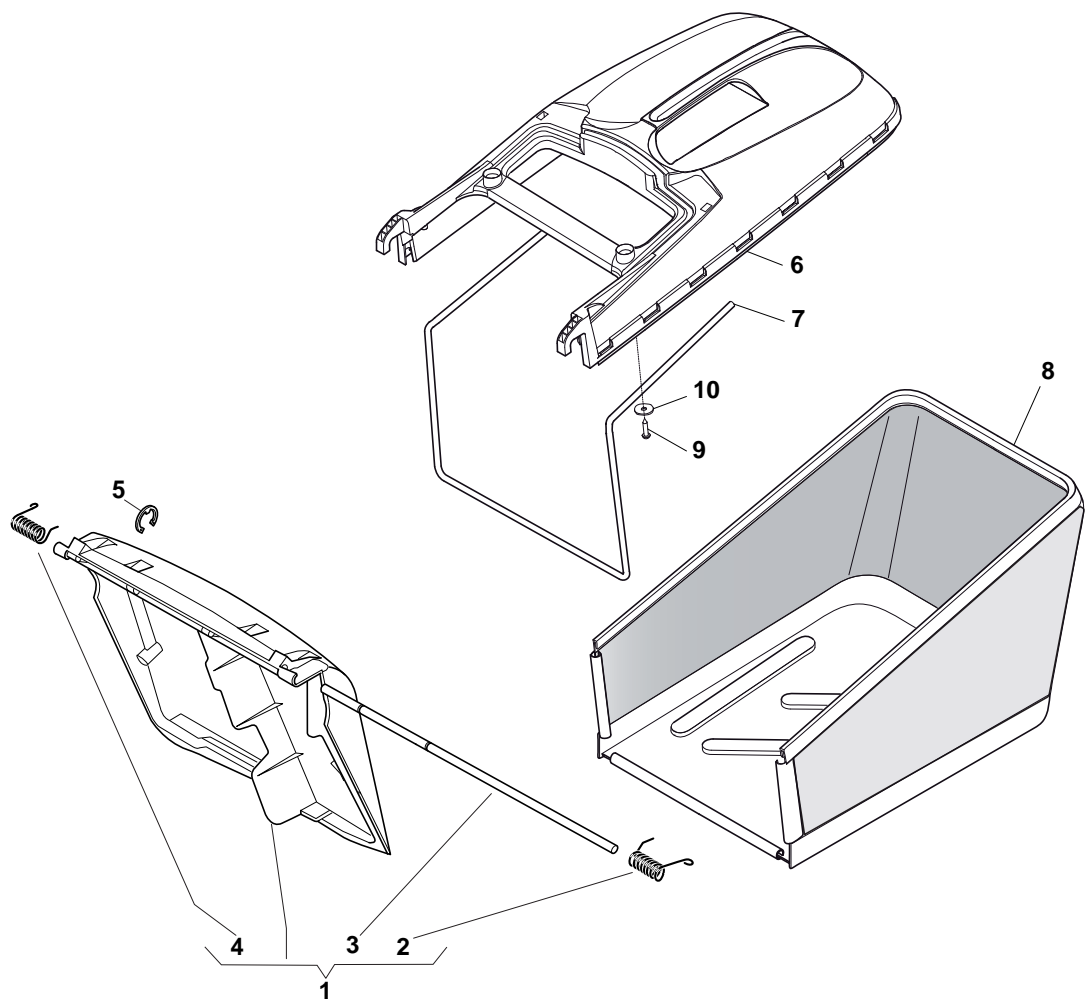
| POS | PART. NO    | Q.ty | DESCRIPTION    | DESCRIZIONE       | DESCRIPTION        | BESCHREIBUNG  | REMARKS |
|-----|-------------|------|----------------|-------------------|--------------------|---------------|---------|
| A1  | 322110382/0 | 2    | Hub Cap Grey   | Coprimozzo Grigio | Couvre-Moyeu Gris  | Radkappe Grau |         |
| B1  | 322110511/0 | 2    | Hub Cap Grey   | Coprimozzo Grigio | Couvre-Moyeu Gris  | Radkappe Grau |         |
| A2  | 322110417/0 | 2    | Hub Cap Grey   | Coprimozzo Grigio | Couvre-Moyeu Gris  | Radkappe Grau |         |
| B2  | 322110590/0 | 2    | Hub Cap Grey   | Coprimozzo Grigio | Couvre-Moyeu Gris  | Radkappe Grau |         |
| A3  | 322110492/0 | 2    | Hub Cap Grey   | Coprimozzo Grigio | Couvre-Moyeu Gris  | Radkappe Grau |         |
| B3  | 322110560/0 | 2    | Hub Cap Grey   | Coprimozzo Grigio | Couvre-Moyeu Gris  | Radkappe Grau |         |
| A2  | 322110595/0 | 2    | Hub Cap Yellow | Coprimozzo Giallo | Couvre-Moyeu Jaune | Radkappe Gelb |         |
| B2  | 322110596/0 | 2    | Hub Cap Yellow | Coprimozzo Giallo | Couvre-Moyeu Jaune | Radkappe Gelb |         |
| A3  | 322110563/0 | 2    | Hub Cap Yellow | Coprimozzo Giallo | Couvre-Moyeu Jaune | Radkappe Gelb |         |
| B3  | 322110564/0 | 2    | Hub Cap Yellow | Coprimozzo Giallo | Couvre-Moyeu Jaune | Radkappe Gelb |         |



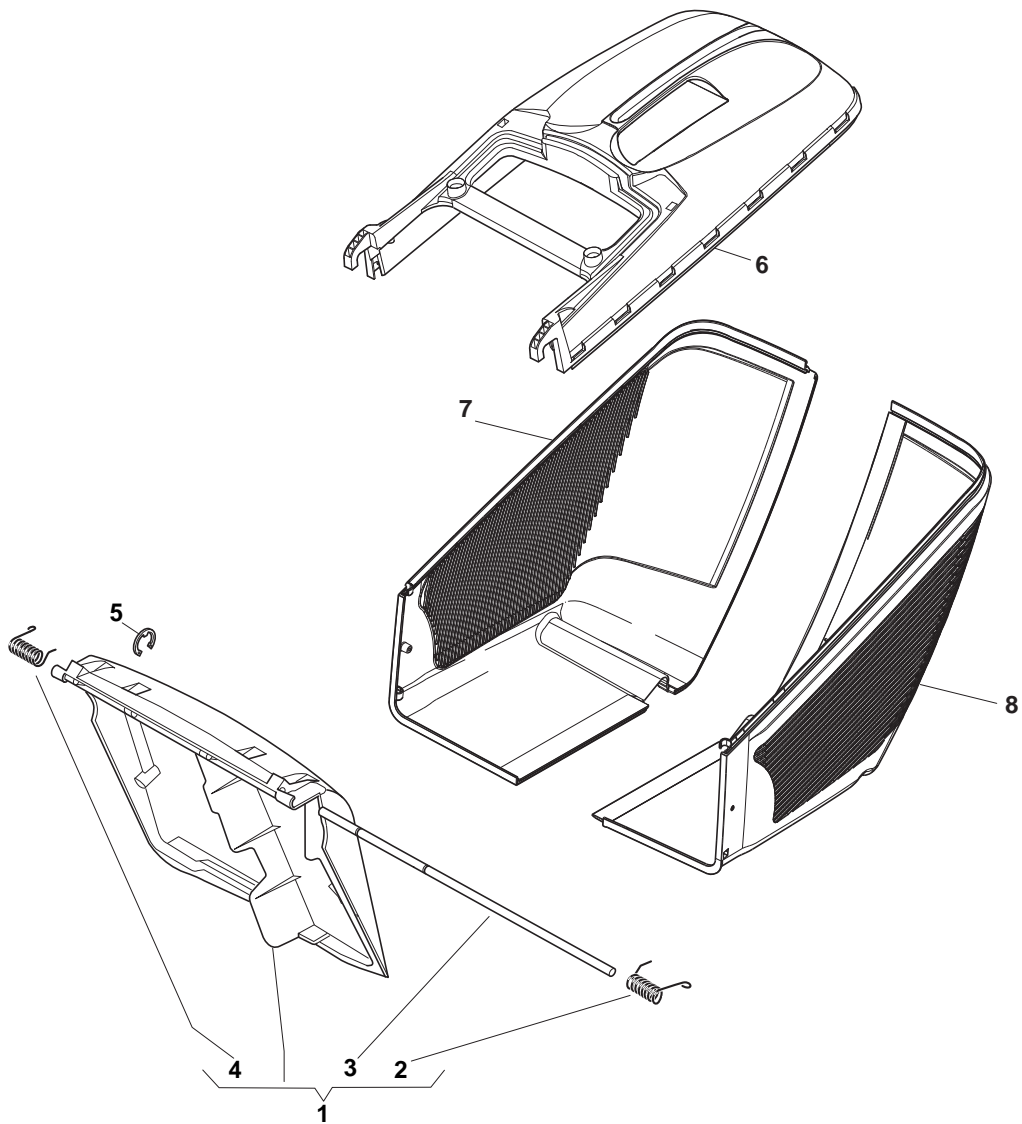
| POS | PART. NO    | Q.ty | DESCRIPTION                           | DESCRIZIONE                                 | DESCRIPTION                               | BESCHREIBUNG                           | REMARKS                   |
|-----|-------------|------|---------------------------------------|---|---|--|---------------------------|
| 1   | 122465607/3 | 1    | Hub With Pulley,<br>Crankshaft Ø 22.2 | Mozzo Con Puleggia,<br>Albero Motore Ø 22.2 | Moyeu Avec Poulie, Arbre<br>Moteur Ø 22.2 | Nabe Mit Scheibe,<br>Motorwelle Ø 22.2 | B&S-GGP Engine            |
| 1   | 122465608/2 | 1    | Hub With Pulley,<br>Crankshaft Ø 25   | Mozzo Con Puleggia,<br>Albero Motore Ø 25   | Moyeu Avec Poulie, Arbre<br>Moteur Ø 25   | Nabe Mit Scheibe,<br>Motorwelle Ø 25   | Honda Engine              |
| 2   | 181004381/1 | 1    | Blade                                 | Coltello                                    | Lame                                      | Messer                                 |                           |
| 2   | 181004398/0 | 1    | Blade Winged                          | Coltello Alettato                           | Lame Ailette                              | Messer Flügel                          |                           |
| 3   | 122160400/0 | 1    | Elastic Washer                        | Disco Elastico                              | Disque Elastique                          | Federscheibe                           |                           |
| 4   | 112523080/0 | 1    | Washer                                | Rosetta                                     | Rondelle                                  | Scheibe                                |                           |
| 5   | 112735698/0 | 1    | Screw                                 | Vite  | Vis                                       | Schraube                               |                           |
| 6   | 112139100/0 | 1    | Feather, Crankshaft Ø 22.2            | Linguetta, Albero Motore<br>Ø 22.2          | Clavette, Arbre Moteur Ø<br>22.2          | Keil, Motorwelle Ø 22.2                | B&S-GGP Engine            |
| 6   | 112139150/0 | 1    | Feather, Crankshaft Ø 25              | Linguetta, Albero Motore<br>Ø 25            | Clavette, Arbre Moteur Ø<br>25            | Keil, Motorwelle Ø 25                  | Honda Engine              |
| 7   | 112691100/0 | 1    | Screw                                 | Vite  | Vis                                       | Schraube                               | B&S 450-500               |
| 7   | 112793701/0 | 2    | Screw                                 | Vite  | Vis                                       | Schraube                               | B&S 450-500               |
| 7   | 112691100/0 | 3    | Screw                                 | Vite  | Vis                                       | Schraube                               | B&S Engine - GGP<br>150cc |
| 7   | 112691115/0 | 3    | Screw                                 | Vite  | Vis                                       | Schraube                               | GGP-Honda Engine          |
| 8   | 112154210/0 | 3    | Nut                                   | Dado  | Ecrou                                     | Mutter                                 |                           |



| POS | PART. NO    | Q.ty | DESCRIPTION      | DESCRIZIONE      | DESCRIPTION            | BESCHREIBUNG       | REMARKS |
|-----|-------------|------|------------------|------------------|------------------------|--------------------|---------|
| 1   | 381008021/2 | 1    | Stone-Guard      | Parasassi        | Pare-Pierres           | Prallblech         |         |
| 2   | 122450420/1 | 1    | L Spring         | Molla Sx         | Ressort G              | Linke Feder        |         |
| 3   | 122517906/1 | 1    | Pin              | Perno            | Pivot                  | Bolzen             |         |
| 4   | 122450410/1 | 1    | R Spring         | Molla Dx         | Ressort D              | Rechte Feder       |         |
| 5   | 112000930/0 | 1    | Snap Ring        | Anello Elastico  | Anneau Ressort         | Sprengring         |         |
| 6   | 122486093/0 | 1    | Grass-Box, Upper | Sacco, Parte Sup | Sac, Partie Superieure | Korb, Oberteil     |         |
| 7   | 112728445/0 | 2    | Screw            | Vite             | Vis                    | Schraube           |         |
| 8   | 181002195/0 | 1    | Box, Fabric      | Sacco, Tela      | Sac, Toile             | Sack, Tuck         |         |
| 9   | 122608523/0 | 1    | Stiffening Lower | Rinforzo Inf     | Réinforcement Inf      | Verstärkung Untere |         |



| POS | PART. NO    | Q.ty | DESCRIPTION      | DESCRIZIONE      | DESCRIPTION            | BESCHREIBUNG       | REMARKS |
|-----|-------------|------|------------------|------------------|------------------------|--------------------|---------|
| 1   | 381008021/2 | 1    | Stone-Guard      | Parasassi        | Pare-Pierres           | Prallblech         |         |
| 2   | 122450420/1 | 1    | L Spring         | Molla Sx         | Ressort G              | Linke Feder        |         |
| 3   | 122517906/1 | 1    | Pin              | Perno            | Pivot                  | Bolzen             |         |
| 4   | 122450410/1 | 1    | R Spring         | Molla Dx         | Ressort D              | Rechte Feder       |         |
| 5   | 112000930/0 | 1    | Snap Ring        | Anello Elastico  | Anneau Ressort         | Sprengring         |         |
| 6   | 322486101/0 | 1    | Grass-Box, Upper | Sacco, Parte Sup | Sac, Partie Superieure | Korb, Oberteil     |         |
| 7   | 122608525/0 | 1    | Stiffening Lower | Rinforzo Inf     | Réinforcement Inf      | Verstärkung Untere |         |
| 8   | 181002211/0 | 1    | Box, Fabric      | Sacco, Tela      | Sac, Toile             | Sack, Tuck         |         |
| 9   | 112728680/0 | 2    | Screw            | Vite             | Vis                    | Schraube           |         |
| 10  | 112523050/0 | 2    | Washer           | Rosetta          | Rondelle               | Scheibe            |         |





| POS | PART. NO    | Q.ty | DESCRIPTION        | DESCRIZIONE         | DESCRIPTION              | BESCHREIBUNG      | REMARKS |
|-----|-------------|------|--------------------|---------------------|--------------------------|-------------------|---------|
| 1   | 381008021/2 | 1    | Stone-Guard        | Parasassi           | Pare-Pierres             | Prallblech        |         |
| 2   | 122450420/1 | 1    | L Spring           | Molla Sx            | Ressort G                | Linke Feder       |         |
| 3   | 122517906/1 | 1    | Pin                | Perno               | Pivot                    | Bolzen            |         |
| 4   | 122450410/1 | 1    | R Spring           | Molla Dx            | Ressort D                | Rechte Feder      |         |
| 5   | 112000930/0 | 1    | Snap Ring          | Anello Elastico     | Anneau Ressort           | Sprengring        |         |
| 6   | 322486101/0 | 1    | Grass-Box, Upper   | Sacco, Parte Sup    | Sac, Partie Superieure   | Korb, Oberteil    |         |
| 7   | 322486150/1 | 1    | Grass-Box, R Lower | Sacco, Parte Inf Dx | Sac, Partie Inferieure D | Korb, R Unterteil |         |
| 8   | 322486151/1 | 1    | Grass-Box, L Lower | Sacco, Parte Inf Sx | Sac, Partie Inferieure G | Korb, L Unterteil |         |