

# ILLUSTRATED PARTS LIST

## NTL 480 NTL 480 Q

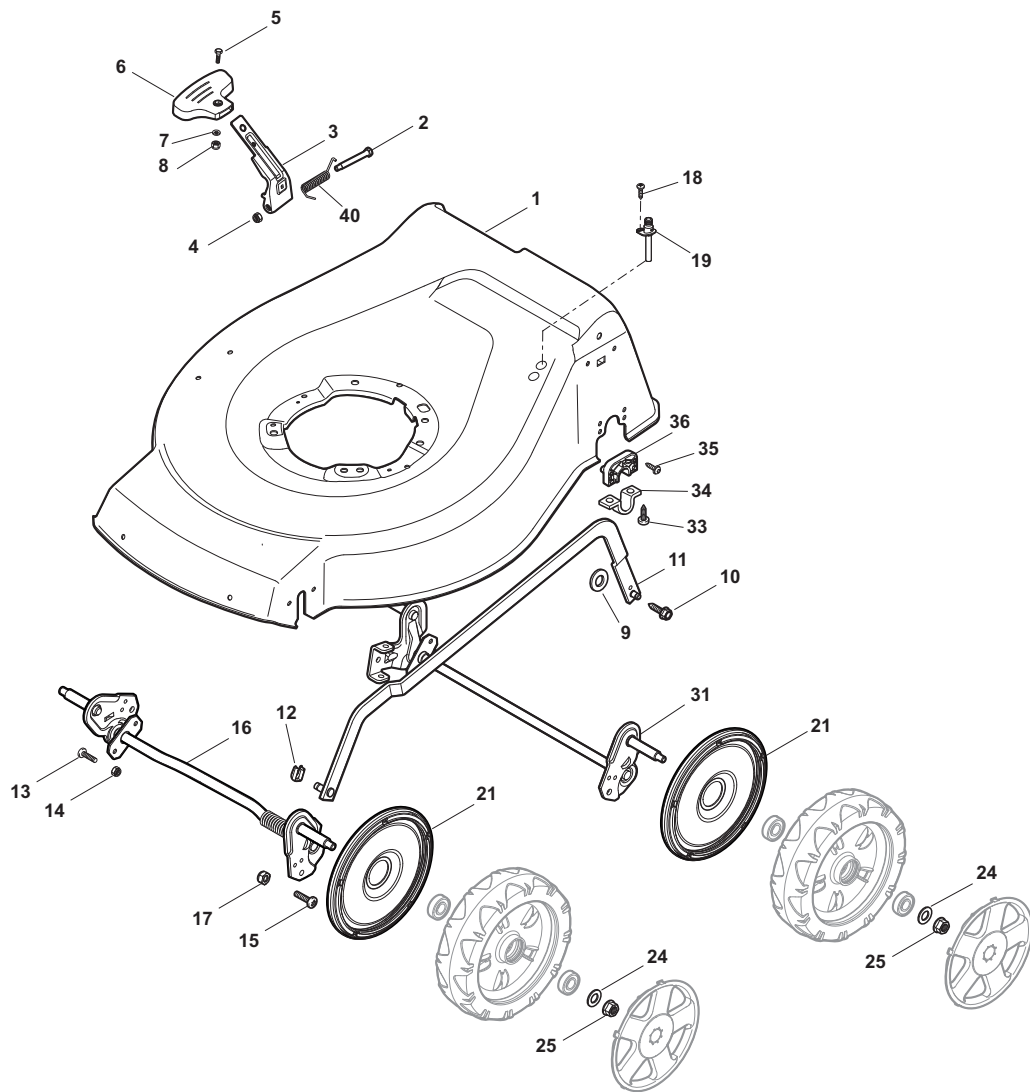


- Use GLOBAL GARDEN PRODUCT Genuine Spare Parts specified in the parts list for repair and/or replacement.
- The contents described in the parts list may change due to improvement.
- The drawings of the spare parts are only indicative and might not represent the part in question exactly.
- The indications "right" - "left" - "front" - "rear" refer to the position of the operator when using the machine.
- When placing orders of parts for repair and/or replacement, make sure that the illustrated parts list is the one applying to the machine's year of manufacture, as shown on the identification plate attached to the machine.

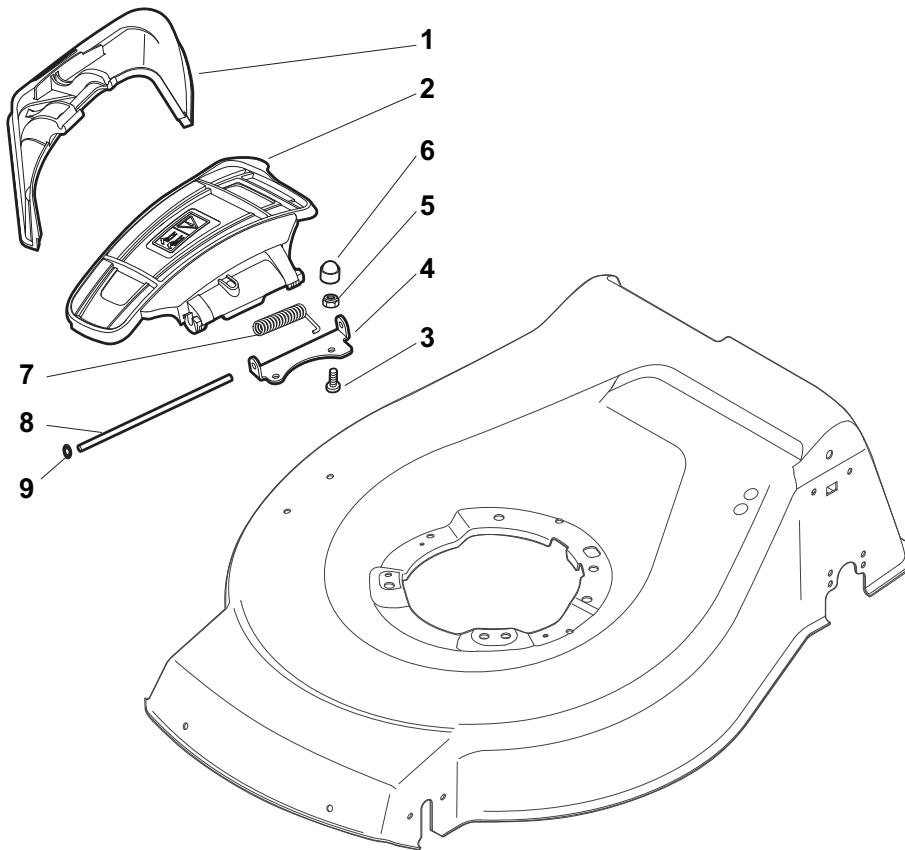
© Copyright 2013 Global Garden Products

All content is subject to copyright by Global Garden Products and may not be reproduced in whole or in part by any means, electronic or otherwise, without prior written approval.

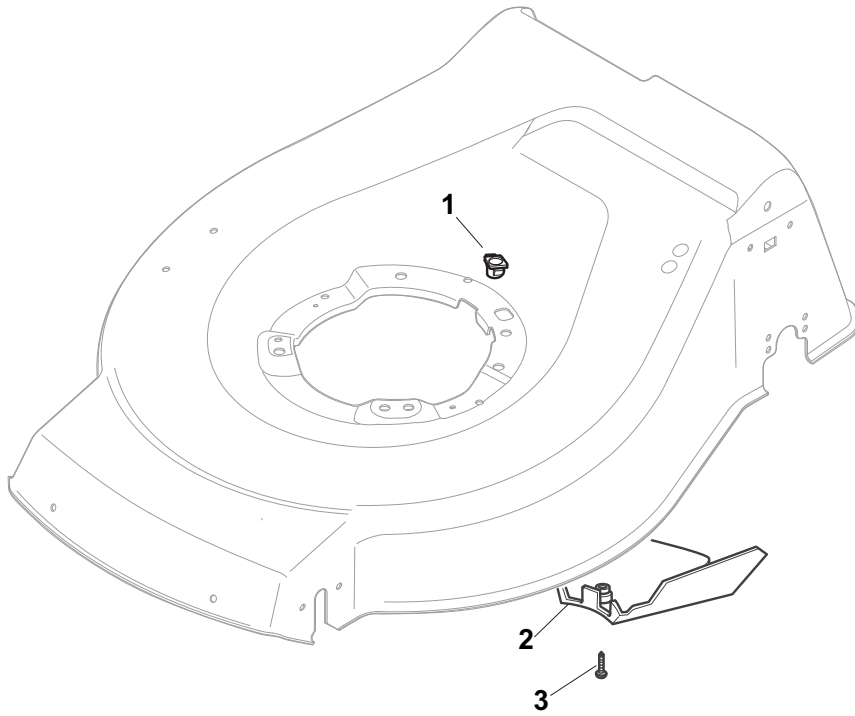
THIS INFORMATION IS NOT INTENDED FOR SALE OR RESALE, AND THIS NOTICE MUST REMAIN ON ALL COPIES.



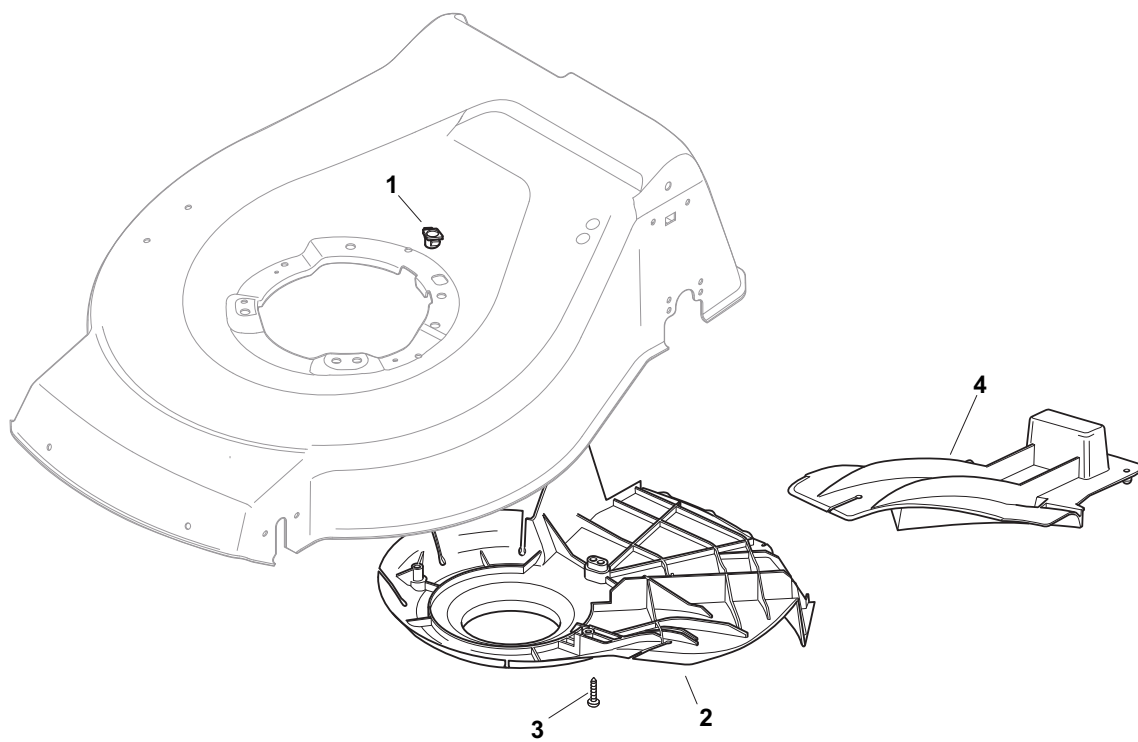
| POS | PART. NO    | Q.ty | DESCRIPTION              | DESCRIZIONE                 | DESCRIPTION                   | BESCHREIBUNG            | REMARKS        |
|-----|-------------|------|--------------------------|-----------------------------|-------------------------------|-------------------------|----------------|
| 1   | 381004536/0 | 1    | Deck Red                 | Chassis Rosso               | Châssis Rouge                 | Gehäuse Rot             |                |
| 1   | 381004538/0 | 1    | Deck Red                 | Chassis Rosso               | Châssis Rouge                 | Gehäuse Rot             | Side Discharge |
| 1   | 381004562/0 | 1    | Deck Yellow              | Chassis Giallo              | Châssis Jaune                 | Gehäuse Gelb            |                |
| 2   | 122534131/0 | 1    | Pin                      | Perno                       | Pivot                         | Bolzen                  |                |
| 3   | 322322851/0 | 1    | Lever, Height Adjustment | Leva Regolazione Altezza    | Levier Reglage Hauteur        | Hebel, Höneverstellung  |                |
| 4   | 112154510/0 | 1    | Nut                      | Dado                        | Ecrou                         | Mutter                  |                |
| 5   | 112788512/0 | 1    | Screw                    | Vite                        | Vis                           | Schraube                |                |
| 6   | 322394503/0 | 1    | Knob                     | Manopolina                  | Poignée                       | Griff                   |                |
| 7   | 112521310/0 | 1    | Washer                   | Rosetta                     | Rondelle                      | Scheibe                 |                |
| 8   | 112150000/0 | 1    | Nut                      | Dado                        | Ecrou                         | Mutter                  |                |
| 9   | 112369500/0 | 1    | Elastic Washer           | Disco Elastico              | Disque Elastique              | Federscheibe            |                |
| 10  | 122943013/0 | 1    | Screw                    | Vite                        | Vis                           | Schraube                |                |
| 11  | 381002029/0 | 1    | Rod, Height Adjustment   | Asta Comando Regol. Altezza | Tige Commande Reglage Hauteur | Stange, Höneverstellung |                |
| 12  | 112436051/0 | 1    | Plate                    | Piastrina                   | Plaquette                     | Plättchen               |                |
| 13  | 112727803/0 | 3    | Screw                    | Vite                        | Vis                           | Schraube                |                |
| 14  | 112154510/0 | 3    | Nut                      | Dado                        | Ecrou                         | Mutter                  |                |
| 15  | 112727801/0 | 1    | Screw                    | Vite                        | Vis                           | Schraube                |                |
| 16  | 381002883/1 | 1    | Axle, Front Wheels       | Asse Ruote Anteriori        | Axe Roues Avant               | Achse, Vorderrad        |                |
| 17  | 112154510/0 | 1    | Nut                      | Dado                        | Ecrou                         | Mutter                  |                |
| 18  | 112728450/0 | 1    | Screw                    | Vite                        | Vis                           | Schraube                |                |
| 19  | 322034002/0 | 1    | Washing Connection       | Attacco Acqua Lavaggio      | Attaque Lavage                | Waschenverbindung       |                |
| 21  | 322600145/0 | 4    | Protection, Wheel        | Protezione Ruote            | Protection Roue               | Schütz, Räder           |                |
| 24  | 112521350/0 | 4    | Washer                   | Rosetta                     | Rondelle                      | Scheibe                 |                |
| 25  | 112155000/0 | 4    | Nut                      | Dado                        | Ecrou                         | Mutter                  |                |
| 31  | 381302823/0 | 1    | Axle, Rear Wheels        | Asse Ruote Posteriore       | Axe Roues Arriere             | Achse, Hinterrad        |                |
| 33  | 112728697/0 | 4    | Screw                    | Vite                        | Vis                           | Schraube                |                |
| 34  | 322545152/0 | 2    | Plate                    | Piastrina                   | Plaquette                     | Plättchen               |                |
| 35  | 112728697/0 | 4    | Screw                    | Vite                        | Vis                           | Schraube                |                |
| 36  | 322785304/1 | 2    | Support                  | Supporto                    | Support                       | Halter                  |                |
| 40  | 122446192/0 | 1    | Spring                   | Molla                       | Ressort                       | Feder                   |                |



| POS | PART. NO    | Q.ty | DESCRIPTION    | DESCRIZIONE        | DESCRIPTION         | BESCHREIBUNG  | REMARKS |
|-----|-------------|------|----------------|--------------------|---------------------|---------------|---------|
| 1   | 322108295/0 | 1    | Stone-Guard    | Parasassi          | Pare-Pierres        | Prallblech    |         |
| 2   | 322600195/0 | 1    | Ejection Guard | Protezione Uscita  | Protection Sortie   | Auswurfschutz |         |
| 3   | 112727803/0 | 2    | Screw          | Vite               | Vis                 | Schraube      |         |
| 4   | 322806643/0 | 1    | Fulcrum Pin    | Perno Fulcro       | Pivot               | Gelenkpunkt   |         |
| 5   | 112154510/0 | 2    | Nut            | Dado               | Ecrou               | Mutter        |         |
| 6   | 118203853/0 | 2    | Protection     | Cappuccio          | Capuchon            | Stecker       |         |
| 7   | 122450456/0 | 1    | Spring         | Molla              | Ressort             | Feder         |         |
| 8   | 122517869/0 | 1    | Pin            | Perno              | Pivot               | Bolzen        |         |
| 9   | 112604896/0 | 2    | Crown Fastener | Fissatore A Corona | Fixateur A Couronne | Kronescheibe  |         |

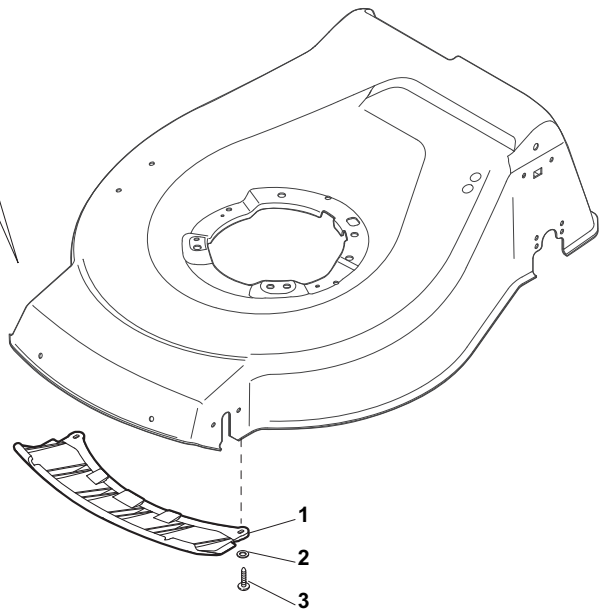
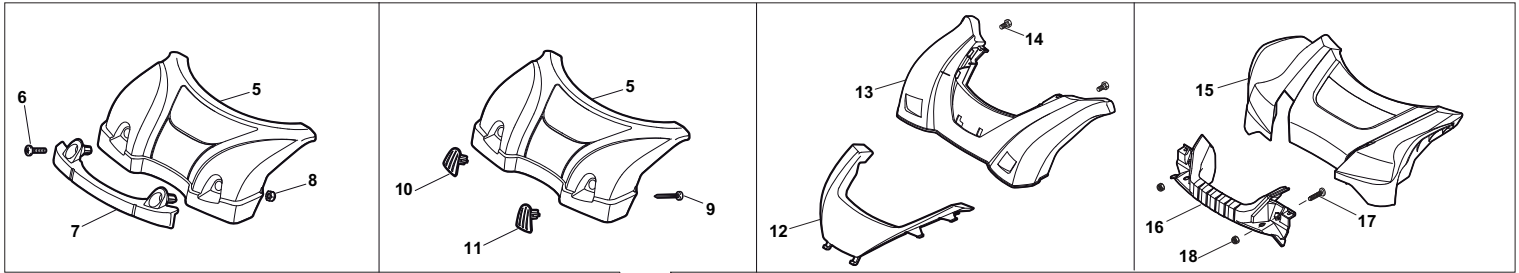


| POS | PART. NO    | Q.ty | DESCRIPTION      | DESCRIZIONE     | DESCRIPTION          | BESCHREIBUNG   | REMARKS |
|-----|-------------|------|------------------|-----------------|----------------------|----------------|---------|
| 1   | 322291150/0 | 1    | Rubber Insert    | Insero In Gomma | Insert De            | Gummi Einsatz  |         |
| 2   | 122060192/0 | 1    | Protection, Belt | Carter Cinghia  | Protection Courroire | Schutz, Riemen |         |
| 3   | 112728530/0 | 1    | Screw            | Vite            | Vis                  | Schraube       |         |

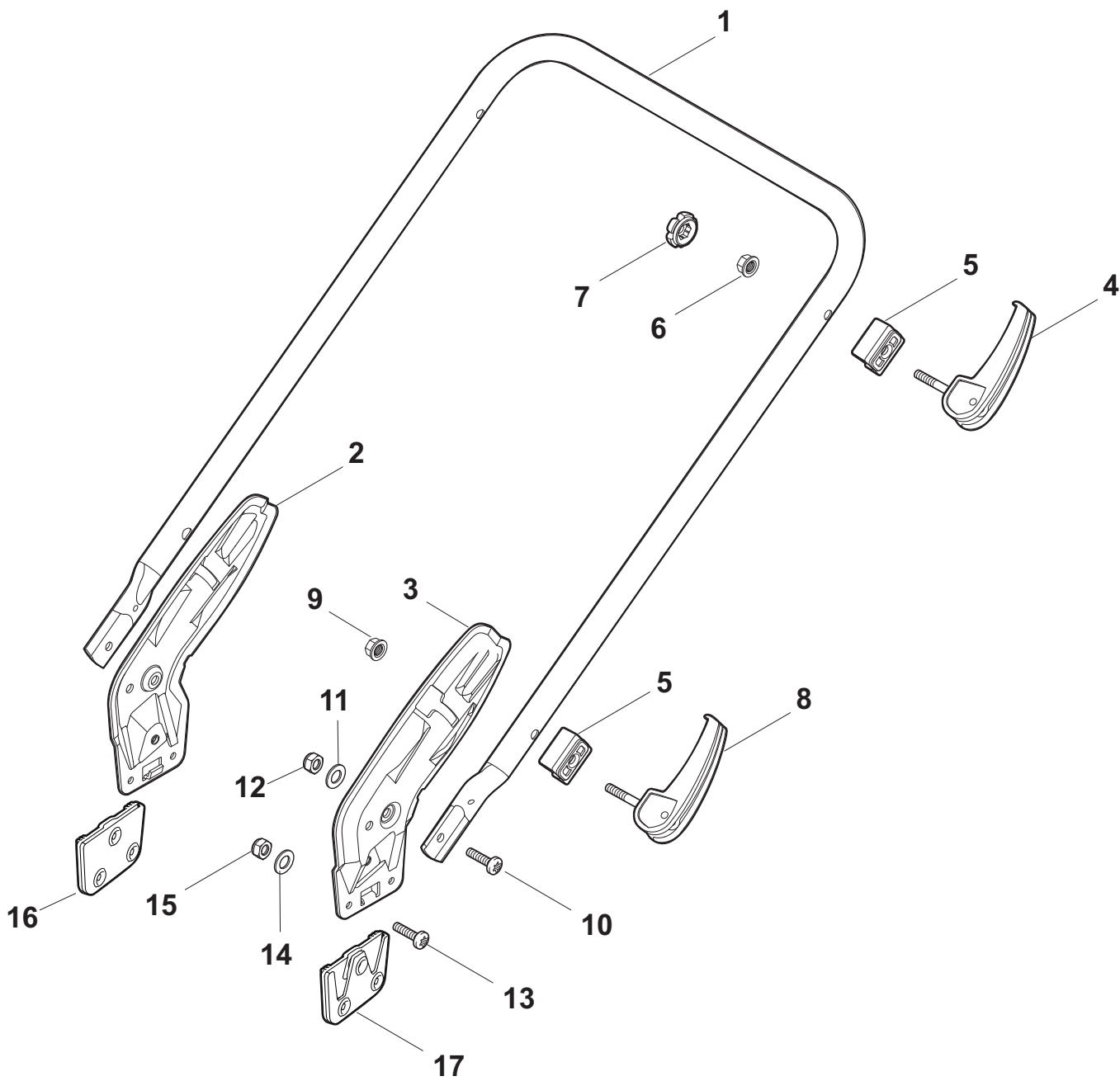




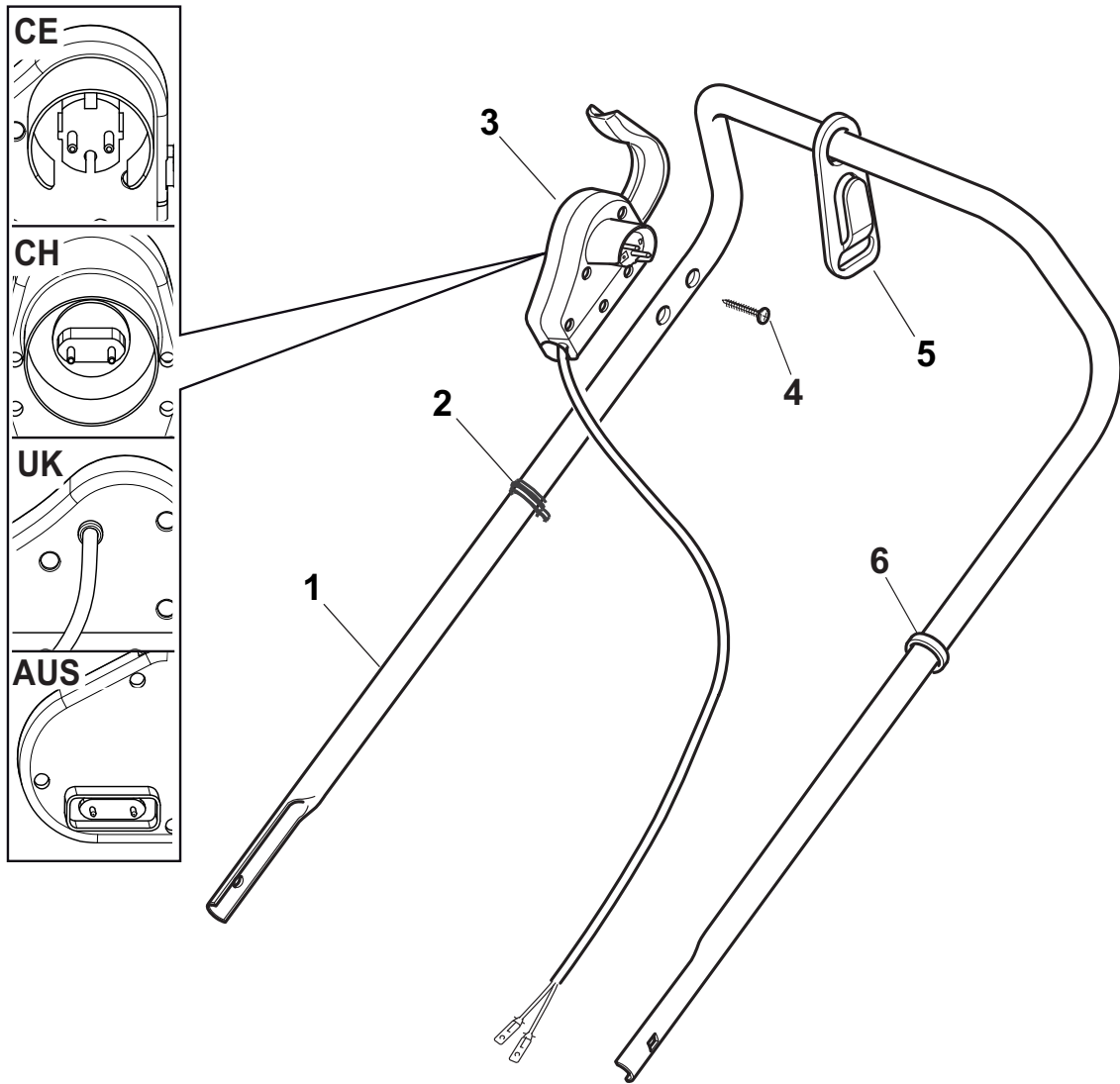
| POS | PART. NO    | Q.ty | DESCRIPTION      | DESCRIZIONE     | DESCRIPTION          | BESCHREIBUNG   | REMARKS |
|-----|-------------|------|------------------|-----------------|----------------------|----------------|---------|
| 1   | 322291150/0 | 1    | Rubber Insert    | Insero In Gomma | Insert De            | Gummi Einsatz  |         |
| 2   | 322060198/1 | 1    | Protection, Belt | Carter Cinghia  | Protection Courroire | Schutz, Riemen |         |
| 3   | 112728530/0 | 3    | Screw            | Vite            | Vis                  | Schraube       |         |
| 4   | 322140223/0 | 1    | Deflector        | Deflettore      | Deflecteur           | Abweiser       |         |



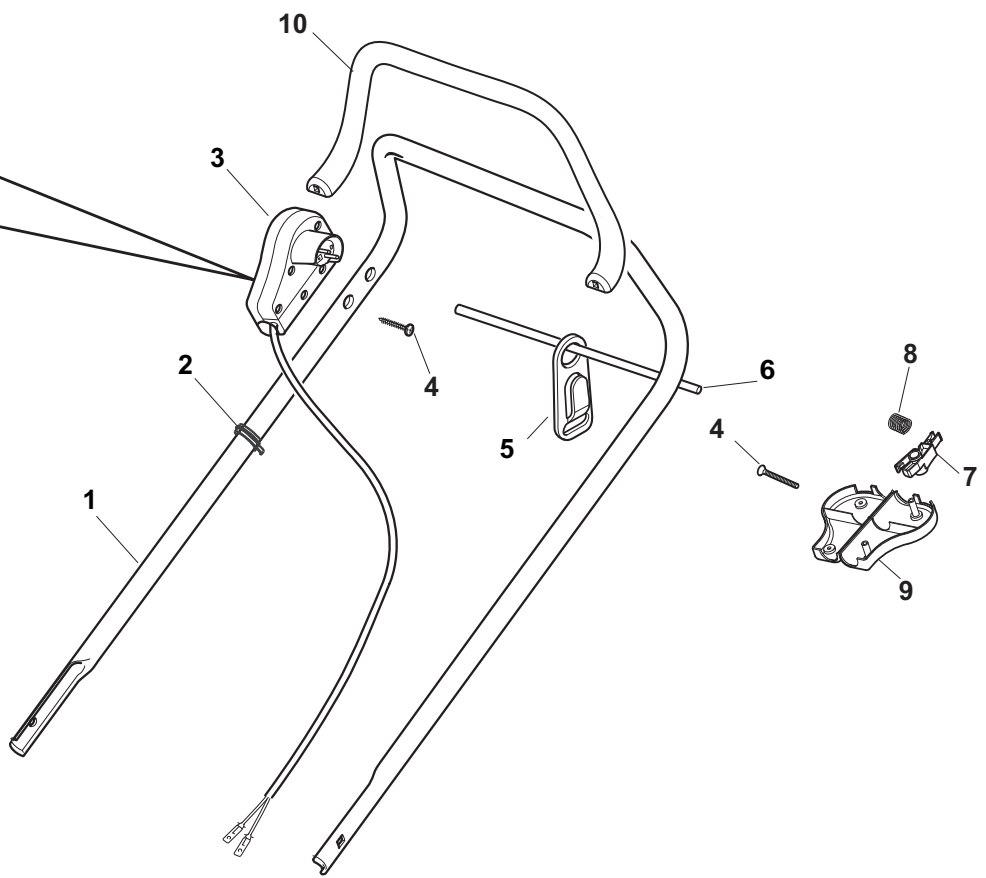
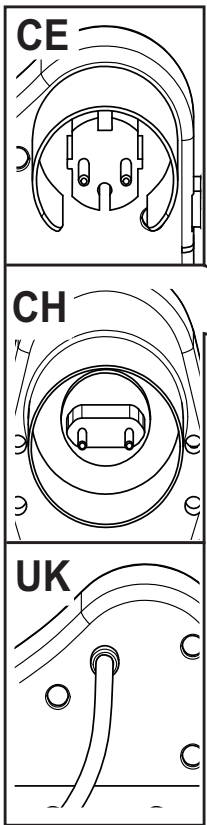
| POS | PART. NO    | Q.ty | DESCRIPTION    | DESCRIZIONE        | DESCRIPTION     | BESCHREIBUNG    | REMARKS |
|-----|-------------|------|----------------|--------------------|-----------------|-----------------|---------|
| 1   | 322500102/0 | 1    | Front Combi    | Pettine Anteriore  | Vorne Comb      | Peigne Avant    |         |
| 2   | 112523000/1 | 2    | Washer         | Rosetta            | Rondelle        | Scheibe         |         |
| 3   | 112728124/0 | 2    | Screw          | Vite               | Vis             | Schraube        |         |
| 5   | 322226143/0 | 1    | Mask, Red      | Mascherina, Rosso  | Mesque, Rouge   | Maske, Rot      |         |
| 5   | 322226144/0 | 1    | Mask, Yellow   | Mascherina, Giallo | Mesque, Jaune   | Maske, Gelb     |         |
| 5   | 322226151/0 | 1    | Mask, Black    | Mascherina, Nero   | Mesque, Noir    | Maske, Schwarz  |         |
| 5   | 322226153/0 | 1    | Mask, Black    | Mascherina, Nero   | Mesque, Noir    | Maske, Schwarz  |         |
| 5   | 322226155/0 | 1    | Mask, Yellow   | Mascherina, Giallo | Mesque, Jaune   | Maske, Gelb     |         |
| 6   | 112727799/0 | 2    | Screw          | Vite               | Vis             | Schraube        |         |
| 7   | 322393638/0 | 1    | Handle, Black  | Maniglia, Nero     | Poignee, Noir   | Griff, Schwarz  |         |
| 7   | 322393639/0 | 1    | Handle, Grey   | Maniglia Grigio    | Poignee, Gris   | Griff, Grau     |         |
| 7   | 322393640/0 | 1    | Handle, Yellow | Maniglia, Gialla   | Poignee, Jaune  | Griff, Gelb     |         |
| 8   | 112154510/0 | 2    | Nut            | Dado               | Ecrou           | Mutter          |         |
| 9   | 112728697/0 | 2    | Screw          | Vite               | Vis             | Schraube        |         |
| 10  | 322820082/0 | 1    | Cap            | Puntale            | Bouchon         | Gummistopfen    |         |
| 11  | 322820083/0 | 1    | Cap            | Puntale            | Bouchon         | Gummistopfen    |         |
| 12  | 322226167/0 | 1    | Frontal Plate  | Piastra Frontale   | Avant Plaquette | Front Plättchen |         |
| 13  | 322226165/0 | 1    | Mask, Black    | Mascherina, Nero   | Mesque, Noir    | Maske, Schwarz  |         |
| 14  | 112728300/0 | 2    | Screw          | Vite               | Vis             | Schraube        |         |
| 15  | 322226157/0 | 1    | Mask, Black    | Mascherina, Nero   | Mesque, Noir    | Maske, Schwarz  |         |
| 16  | 322393642/0 | 1    | Bumper         | Bumper             | Bumper          | Bumper          |         |
| 17  | 112727799/0 | 2    | Screw          | Vite               | Vis             | Schraube        |         |
| 18  | 112154510/0 | 2    | Nut            | Dado               | Ecrou           | Mutter          |         |



| POS | PART. NO    | Q.ty | DESCRIPTION        | DESCRIZIONE          | DESCRIPTION                | BESCHREIBUNG       | REMARKS |
|-----|-------------|------|--------------------|----------------------|----------------------------|--------------------|---------|
| 1   | 381006889/0 | 1    | Handle, Lower Part | Parte Inf Maniglia   | Poignée, Partie Inferieure | Griff, Unterteil   |         |
| 2   | 381005125/0 | 1    | Bracket, R         | Staffa Dx            | Etrier Droit               | Steigbügel, Rechte |         |
| 3   | 381005127/0 | 1    | Bracket, L         | Staffa Sx            | Etrier Gauche              | Steigbügel, Linke  |         |
| 4   | 381103350/0 | 2    | Handle             | Maniglia             | Poignée                    | Griff              |         |
| 5   | 322680016/0 | 4    | Support            | Supporto             | Support                    | Halter             |         |
| 6   | 122131750/0 | 2    | Nut                | Dado                 | Ecrou                      | Mutter             |         |
| 7   | 322399835/0 | 2    | Knob               | Manopolina           | Poignée                    | Griff              |         |
| 8   | 381003254/0 | 2    | Handle             | Maniglia             | Poignée                    | Griff              |         |
| 9   | 112154220/0 | 2    | Nut                | Dado                 | Ecrou                      | Mutter             |         |
| 10  | 112760605/0 | 2    | Screw              | Vite                 | Vis                        | Schraube           |         |
| 11  | 112521350/0 | 2    | Washer             | Rosetta              | Rondelle                   | Scheibe            |         |
| 12  | 112155000/0 | 2    | Nut                | Dado                 | Ecrou                      | Mutter             |         |
| 13  | 112727803/0 | 6    | Screw              | Vite                 | Vis                        | Schraube           |         |
| 14  | 112523040/0 | 6    | Washer             | Rosetta              | Rondelle                   | Scheibe            |         |
| 15  | 112154510/0 | 6    | Nut                | Dado                 | Ecrou                      | Mutter             |         |
| 16  | 322551580/0 | 1    | Isolation Plate    | Piastrina Isolamento | Plaquette De Isolement     | Absonderung Platte |         |
| 17  | 322551581/0 | 1    | Isolation Plate    | Piastrina Isolamento | Plaquette De Isolement     | Absonderung Platte |         |

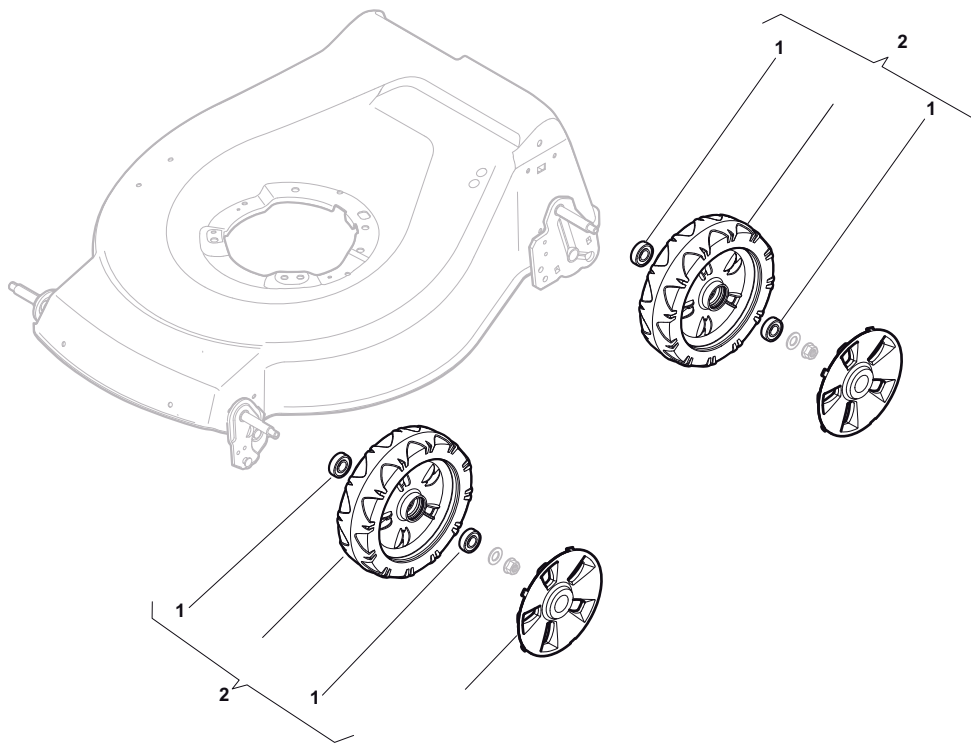


| POS | PART. NO    | Q.ty | DESCRIPTION        | DESCRIZIONE       | DESCRIPTION                  | BESCHREIBUNG     | REMARKS |
|-----|-------------|------|--------------------|-------------------|------------------------------|------------------|---------|
| 1   | 381007017/2 | 1    | Handle, Upper Part | Manico, Parte Sup | Mancheron, Partie Superieure | Holm, Oberteil   |         |
| 2   | 122192000/1 | 2    | Clamp              | Staffa            | Etrier                       | Bride            |         |
| 3   | 118710628/0 | 1    | Dead Hand Switch   | Salvatore         | Int. Main Morte              | Tot Manschalter  | AUS     |
| 3   | 381600500/2 | 1    | Dead Hand Switch   | Salvatore         | Int. Main Morte              | Tot Manschalter  | CE      |
| 3   | 381600501/2 | 1    | Dead Hand Switch   | Salvatore         | Int. Main Morte              | Tot Manschalter  | CH      |
| 3   | 381600502/2 | 1    | Dead Hand Switch   | Salvatore         | Int. Main Morte              | Tot Manschalter  | UK      |
| 4   | 112728701/0 | 2    | Screw              | Vite              | Vis                          | Schraube         |         |
| 5   | 322195101/4 | 1    | Fairlead           | Fermacavo         | Fixation Cable               | Kabelbefestigung |         |
| 6   | 122192151/0 | 1    | Fairlead           | Fermacavo         | Fixation Cable               | Kabelbefestigung |         |

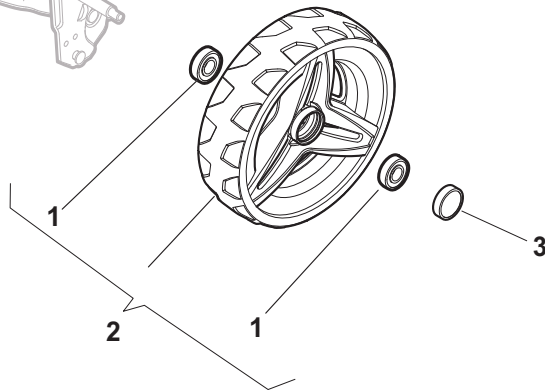
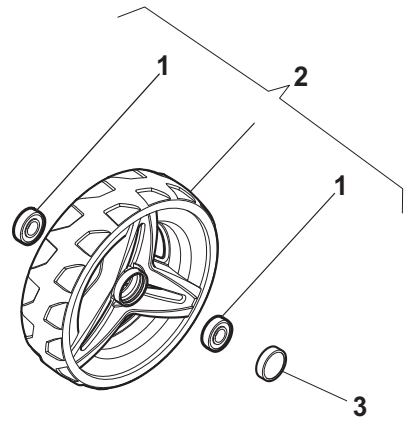
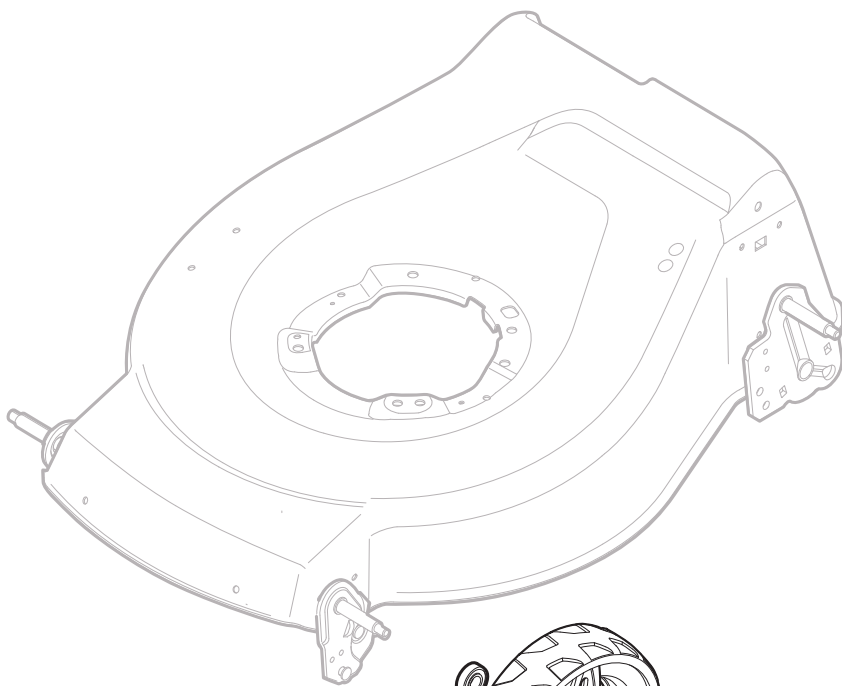




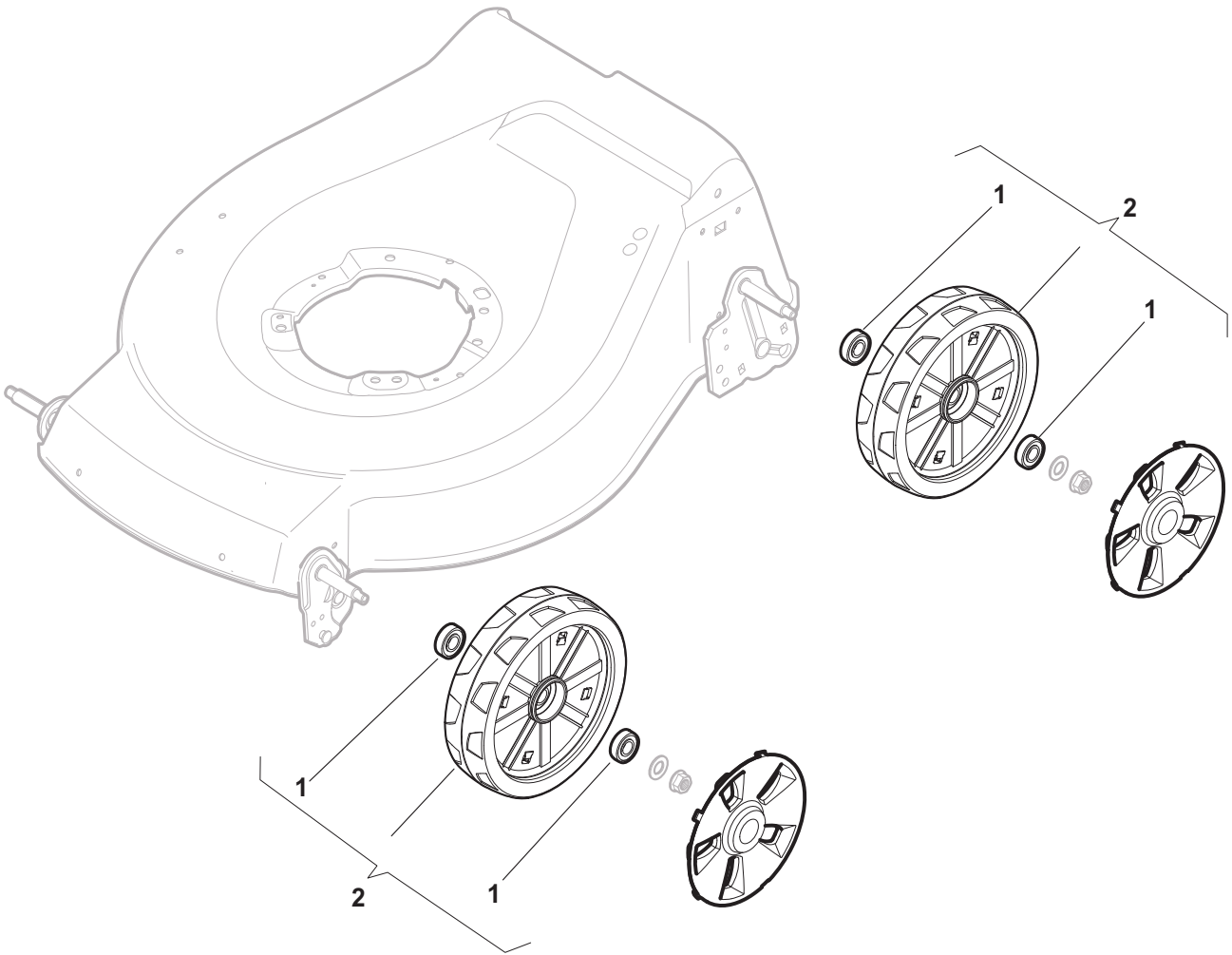
| POS | PART. NO    | Q.ty | DESCRIPTION                | DESCRIZIONE               | DESCRIPTION                  | BESCHREIBUNG               | REMARKS |
|-----|-------------|------|----------------------------|---------------------------|------------------------------|----------------------------|---------|
| 1   | 381007017/2 | 1    | Handle, Upper Part         | Manico, Parte Sup         | Mancheron, Partie Superieure | Holm, Oberteil             |         |
| 2   | 122192000/1 | 2    | Clamp                      | Staffa                    | Etrier                       | Bride                      |         |
| 3   | 381600503/3 | 1    | Dead Hand Switch           | Salvamotore               | Int. Main Morte              | Tot Manschalter            | CE      |
| 3   | 381600504/3 | 1    | Dead Hand Switch           | Salvamotore               | Int. Main Morte              | Tot Manschalter            | CH      |
| 3   | 381600505/4 | 1    | Dead Hand Switch           | Salvamotore               | Int. Main Morte              | Tot Manschalter            | UK      |
| 4   | 112728701/0 | 4    | Screw                      | Vite                      | Vis                          | Schraube                   |         |
| 5   | 322195101/4 | 1    | Fairlead                   | Fermacavo                 | Fixation Cable               | Kabelbefestigung           |         |
| 6   | 122010251/0 | 1    | Rod, Fairlead Bearing      | Asta Aggancio Fermacavo   | Tige Support Serrecable      | Stange, Kabelhalter        |         |
| 7   | 322230350/1 | 1    | Fulcrum Pin                | Perno Fulcro              | Pivot                        | Gelenkpunkt                |         |
| 8   | 122450115/0 | 1    | Spring                     | Molla                     | Ressort                      | Feder                      |         |
| 9   | 322785144/1 | 1    | Support                    | Supporto                  | Support                      | Halter                     |         |
| 10  | 322322881/1 | 1    | Lever, Engine Brake Black  | Leva Freno Motore Nero    | Levier Frein Moteur Noir     | Hebel, Motorbremse Schwarz |         |
| 10  | 322322884/1 | 1    | Lever, Engine Brake Red    | Leva Freno Motore, Rosso  | Levier Frein Moteur Rouge    | Hebel, Motorbremse, Rot    |         |
| 10  | 322322885/1 | 1    | Lever, Engine Brake Yellow | Leva Freno Motore, Giallo | Levier Frein Moteur Jaune    | Hebel, Motorbremse, Gelb   |         |



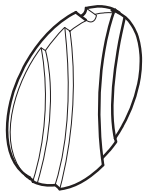
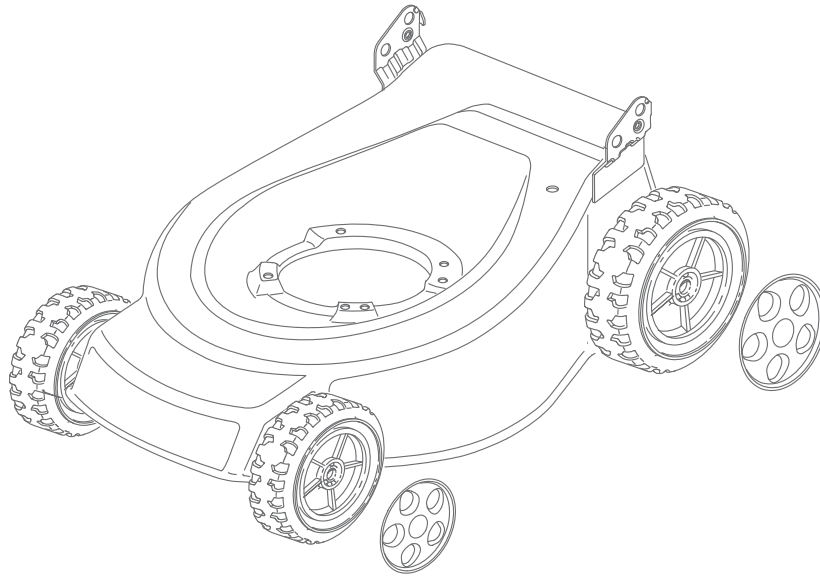
| POS | PART. NO    | Q.ty | DESCRIPTION | DESCRIZIONE | DESCRIPTION | BESCHREIBUNG | REMARKS |
|-----|-------------|------|-------------|-------------|-------------|--------------|---------|
| 1   | 119216035/0 | 8    | Bearing     | Cuscinetto  | Coussinet   | Lager        |         |
| 2   | 381007416/2 | 4    | Wheel Ø 200 | Ruota Ø 200 | Roue Ø 200  | Rad Ø 200    |         |



| POS | PART. NO    | Q.ty | DESCRIPTION  | DESCRIZIONE       | DESCRIPTION       | BESCHREIBUNG  | REMARKS |
|-----|-------------|------|--------------|-------------------|-------------------|---------------|---------|
| 1   | 119216035/0 | 8    | Bearing      | Cuscinetto        | Coussinet         | Lager         |         |
| 2   | 381007477/0 | 4    | Wheel Ø 200  | Ruota Ø 200       | Roue Ø 200        | Rad Ø 200     |         |
| 3   | 322110640/0 | 4    | Hub Cap Grey | Coprimezzo Grigio | Couvre-Moyeu Gris | Radkappe Grau |         |



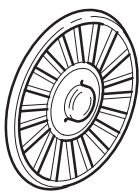
| POS | PART. NO    | Q.ty | DESCRIPTION | DESCRIZIONE | DESCRIPTION | BESCHREIBUNG | REMARKS |
|-----|-------------|------|-------------|-------------|-------------|--------------|---------|
| 1   | 119216035/0 | 4    | Bearing     | Cuscinetto  | Coussinet   | Lager        |         |
| 2   | 381007483/1 | 2    | Wheel Ø 200 | Ruota Ø 200 | Roue Ø 200  | Rad Ø 200    |         |



**1**



**2**



**3**



**4**



**5**



**6**



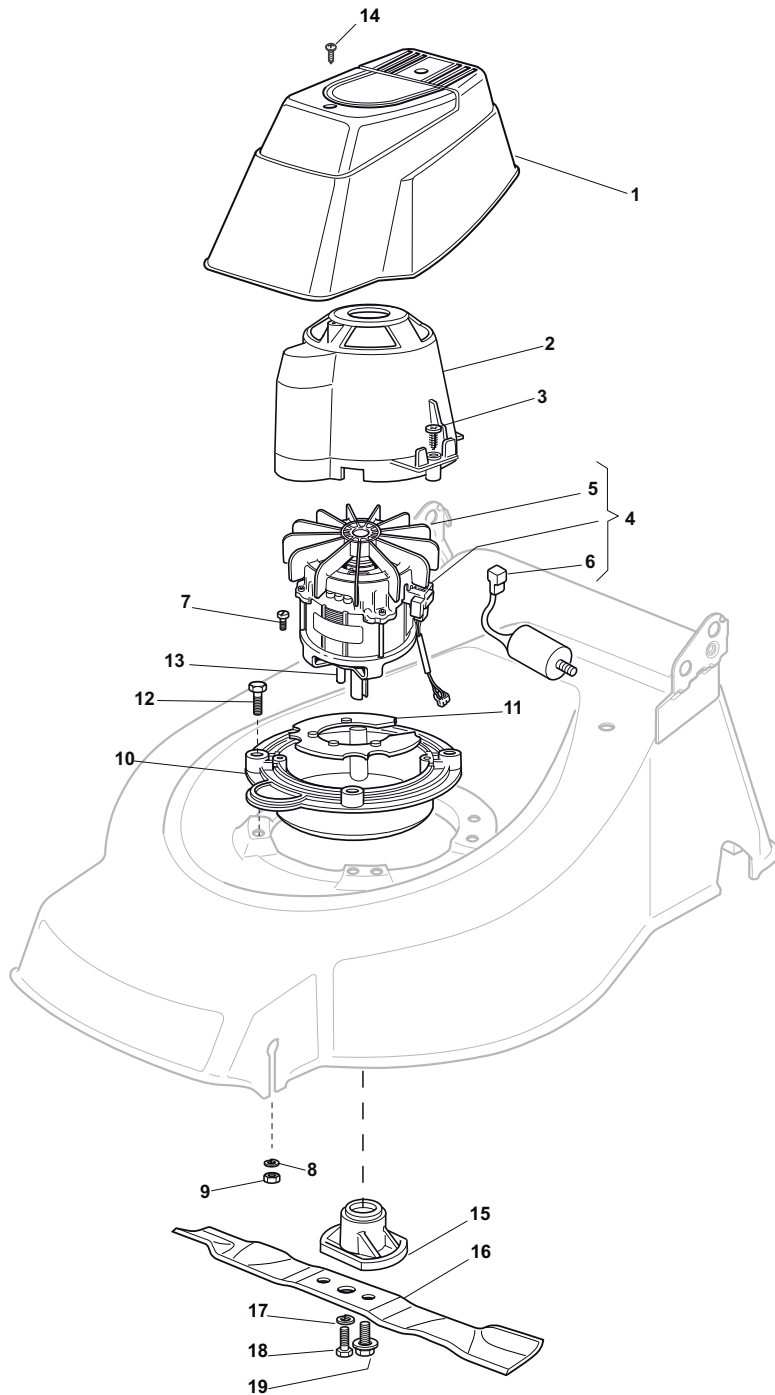
**7**



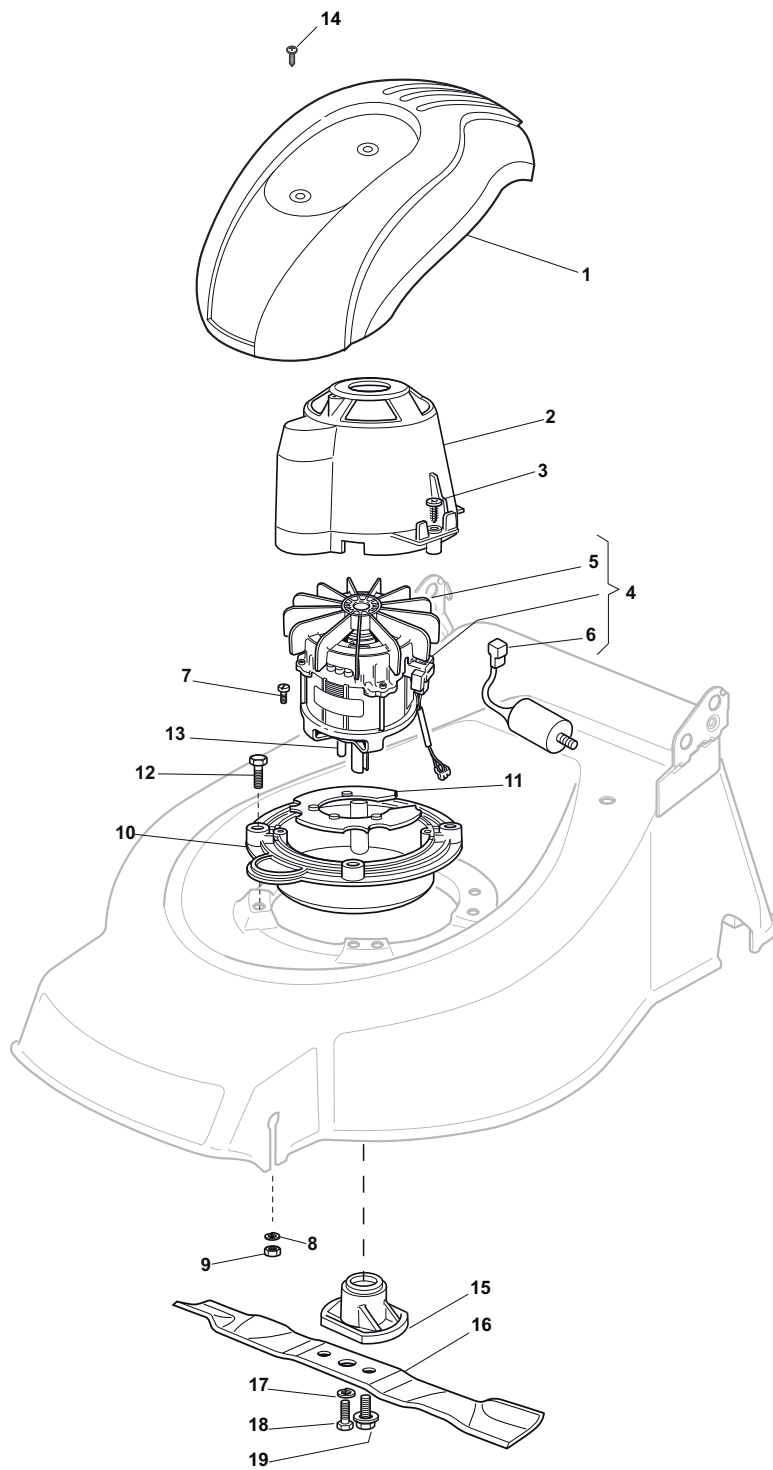
**8**



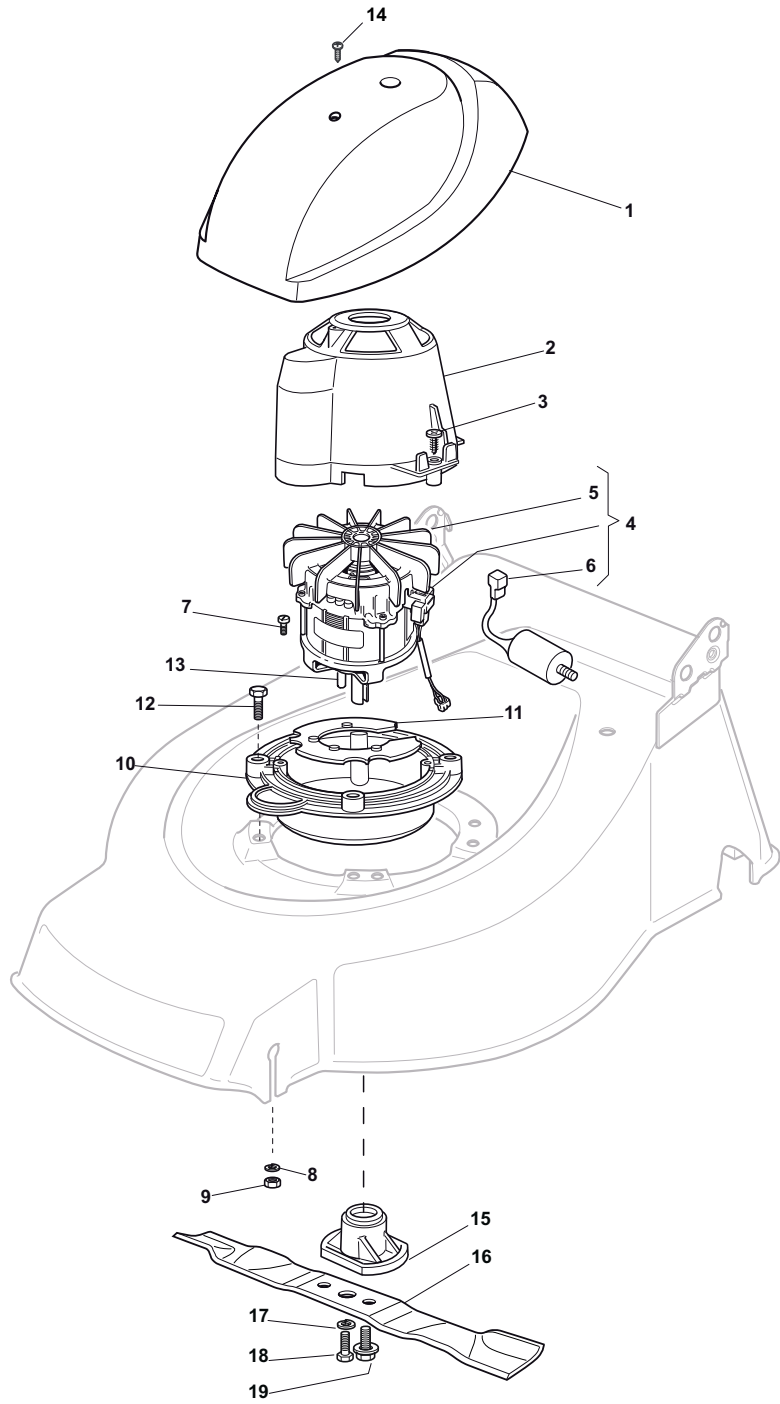
| POS | PART. NO    | Q.ty | DESCRIPTION    | DESCRIZIONE       | DESCRIPTION        | BESCHREIBUNG  | REMARKS |
|-----|-------------|------|----------------|-------------------|--------------------|---------------|---------|
| 1   | 322110252/1 | 2    | Hub Cap White  | Coprimozzo Bianco | Couvre-Moyeu Blanc | Radkappe Weiß |         |
| 1   | 322110254/0 | 2    | Hub Cap Yellow | Coprimozzo Giallo | Couvre-Moyeu Jaune | Radkappe Gelb |         |
| 1   | 322110255/1 | 2    | Hub Cap White  | Coprimozzo Bianco | Couvre-Moyeu Blanc | Radkappe Weiß |         |
| 2   | 322110344/0 | 2    | Hub Cap Grey   | Coprimozzo Grigio | Couvre-Moyeu Gris  | Radkappe Grau |         |
| 2   | 322110395/0 | 2    | Hub Cap Grey   | Coprimozzo Grigio | Couvre-Moyeu Gris  | Radkappe Grau |         |
| 3   | 322110347/0 | 2    | Hub Cap Grey   | Coprimozzo Grigio | Couvre-Moyeu Gris  | Radkappe Grau |         |
| 4   | 322110381/0 | 2    | Hub Cap Grey   | Coprimozzo Grigio | Couvre-Moyeu Gris  | Radkappe Grau |         |
| 5   | 322110416/0 | 2    | Hub Cap Grey   | Coprimozzo Grigio | Couvre-Moyeu Gris  | Radkappe Grau |         |
| 6   | 322110491/0 | 2    | Hub Cap Grey   | Coprimozzo Grigio | Couvre-Moyeu Gris  | Radkappe Grau |         |
| 7   | 322110493/0 | 2    | Hub Cap Grey   | Coprimozzo Grigio | Couvre-Moyeu Gris  | Radkappe Grau |         |
| 8   | 322110495/0 | 2    | Hub Cap Grey   | Coprimozzo Grigio | Couvre-Moyeu Gris  | Radkappe Grau |         |



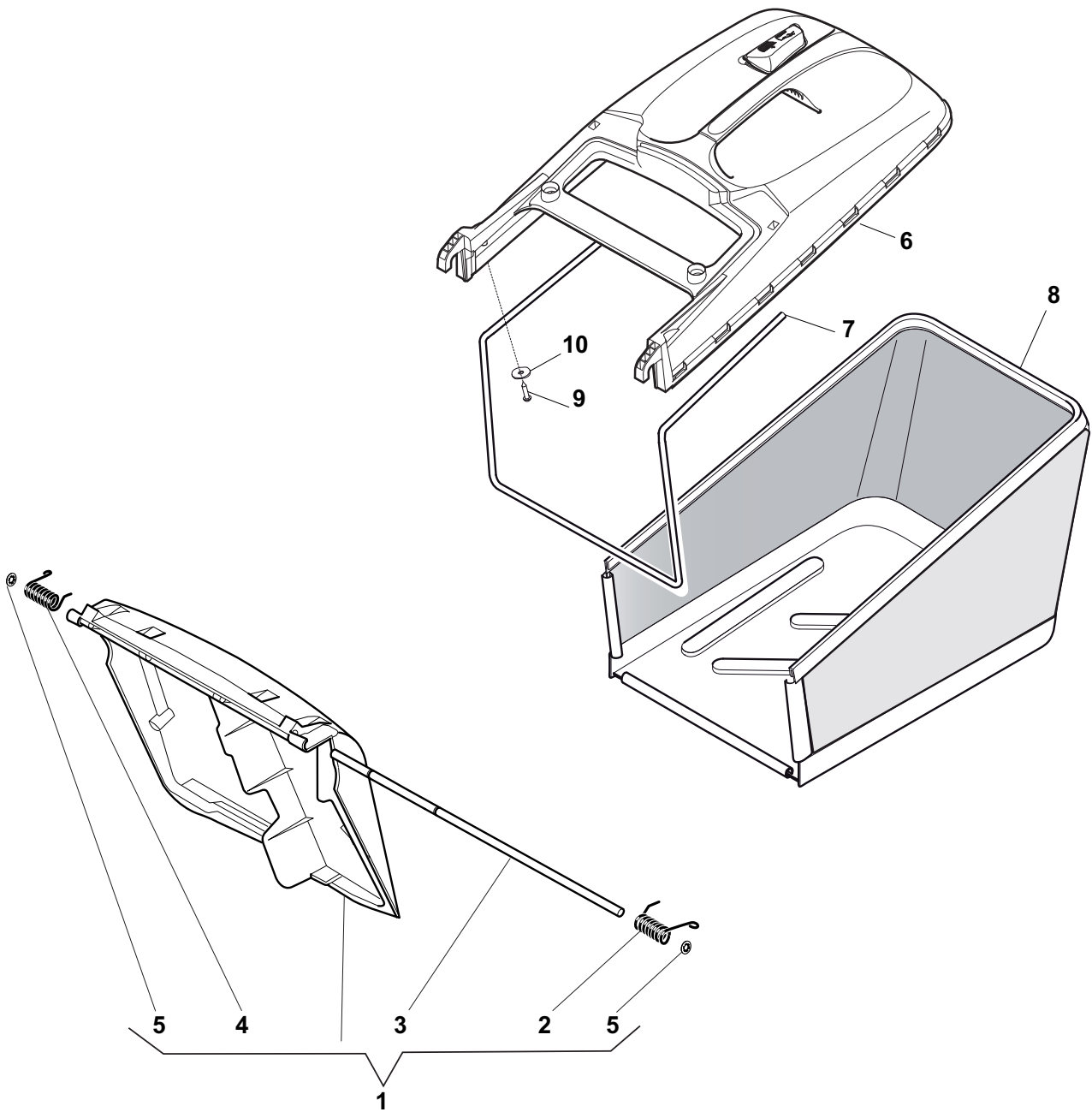
| POS | PART. NO    | Q.ty | DESCRIPTION        | DESCRIZIONE            | DESCRIPTION            | BESCHREIBUNG      | REMARKS       |
|-----|-------------|------|--------------------|------------------------|------------------------|-------------------|---------------|
| 1   | 122055045/1 | 1    | Cover, Black       | Capottina Nera         | Capot Noire            | Haube Schwarz     |               |
| 1   | 322055139/0 | 1    | Cover, Yellow      | Capottina Gialla       | Capot Jaune            | Haube Gelb        |               |
| 2   | 322785210/0 | 1    | Support, Cover     | Supporto Capottina     | Support Capot          | Halter, Haube     |               |
| 3   | 112728710/0 | 4    | Screw              | Vite                   | Vis                    | Schraube          |               |
| 4   | 118563605/0 | 1    | Motor ATB          | Motore ATB             | Moteur ATB             | Motor ATB         | 1600W         |
| 4   | 118563640/0 | 1    | Motor ATB          | Motore ATB             | Moteur ATB             | Motor ATB         | 1800W         |
| 5   | 118740054/0 | 1    | Fan Motor Atb      | Ventola Per Motore Atb | Ventilateur Moteur Atb | Lüfter Motor Atb  |               |
| 6   | 118222039/0 | 1    | Condenser 25 µf    | Condensatore 25 µf     | Condenseur 25 µf       | Kondensator 25 µf | 1800W         |
| 6   | 118222045/0 | 1    | Condenser 16 µf    | Condensatore 16 µf     | Condenseur 16 µf       | Kondensator 16 µf | 1600W         |
| 7   | 112735410/0 | 4    | Screw              | Vite                   | Vis                    | Schraube          |               |
| 8   | 112583500/0 | 4    | Grower             | Grower                 | Grower                 | Federring         |               |
| 9   | 112293200/0 | 4    | Nut                | Dado                   | Ecrou                  | Mutter            |               |
| 10  | 322207211/4 | 1    | Flange             | Flangia                | Bride                  | Flansch           |               |
| 10  | 322207216/0 | 1    | Flange             | Flangia                | Bride                  | Flansch           | with Mulching |
| 11  | 322720360/2 | 1    | Ventilation Screen | Schermo                | Ecran Ventilation      | Lüftungschirm     |               |
| 12  | 112793700/0 | 4    | Screw              | Vite                   | Vis                    | Schraube          |               |
| 13  | 112139440/0 | 1    | Feather            | Linguetta              | Clavette               | Keil              |               |
| 14  | 112728680/0 | 2    | Screw              | Vite                   | Vis                    | Schraube          |               |
| 15  | 322463186/3 | 1    | Hub                | Mozzo                  | Moyeu                  | Nabe              |               |
| 16  | 181004346/3 | 1    | Blade Standard     | Coltello Standard      | Lame Standard          | Messer Standard   |               |
| 16  | 181004397/0 | 1    | Blade Winged       | Coltello Alettato      | Lame Ailetée           | Messer Flügel     | For DELTA Bag |
| 17  | 112583500/0 | 2    | Grower             | Grower                 | Grower                 | Federring         |               |
| 18  | 112793101/0 | 2    | Screw              | Vite                   | Vis                    | Schraube          |               |
| 19  | 381004352/1 | 1    | Screw              | Vite                   | Vis                    | Schraube          |               |



| POS | PART. NO    | Q.ty | DESCRIPTION        | DESCRIZIONE            | DESCRIPTION            | BESCHREIBUNG      | REMARKS       |
|-----|-------------|------|--------------------|------------------------|------------------------|-------------------|---------------|
| 1   | 122055065/0 | 1    | Cover, Black       | Copertura, Nero        | Couvre, Noir           | Kappe, Schwarz    |               |
| 2   | 322785210/0 | 1    | Support, Cover     | Supporto Capottina     | Support Capot          | Halter, Haube     |               |
| 3   | 112728710/0 | 4    | Screw              | Vite                   | Vis                    | Schraube          |               |
| 4   | 118563605/0 | 1    | Motor ATB          | Motore ATB             | Moteur ATB             | Motor ATB         | 1600W         |
| 4   | 118563640/0 | 1    | Motor ATB          | Motore ATB             | Moteur ATB             | Motor ATB         | 1800W         |
| 5   | 118740054/0 | 1    | Fan Motor Atb      | Ventola Per Motore Atb | Ventilateur Moteur Atb | Lüfter Motor Atb  |               |
| 6   | 118222039/0 | 1    | Condenser 25 µf    | Condensatore 25 µf     | Condenseur 25 µf       | Kondensator 25 µf | 1800W         |
| 6   | 118222045/0 | 1    | Condenser 16 µf    | Condensatore 16 µf     | Condenseur 16 µf       | Kondensator 16 µf | 1600W         |
| 7   | 112735410/0 | 4    | Screw              | Vite                   | Vis                    | Schraube          |               |
| 8   | 112583500/0 | 4    | Grower             | Grower                 | Grower                 | Federring         |               |
| 9   | 112293200/0 | 4    | Nut                | Dado                   | Ecrou                  | Mutter            |               |
| 10  | 322207211/4 | 1    | Flange             | Flangia                | Bride                  | Flansch           |               |
| 10  | 322207216/0 | 1    | Flange             | Flangia                | Bride                  | Flansch           | with Mulching |
| 11  | 322720360/2 | 1    | Ventilation Screen | Schermo                | Ecran Ventilation      | Lüftungschirm     |               |
| 12  | 112793700/0 | 4    | Screw              | Vite                   | Vis                    | Schraube          |               |
| 13  | 112139440/0 | 1    | Feather            | Linguetta              | Clavette               | Keil              |               |
| 14  | 112728680/0 | 2    | Screw              | Vite                   | Vis                    | Schraube          |               |
| 15  | 322463186/3 | 1    | Hub                | Mozzo                  | Moyeu                  | Nabe              |               |
| 16  | 181004346/3 | 1    | Blade Standard     | Coltello Standard      | Lame Standard          | Messer Standard   |               |
| 16  | 181004397/0 | 1    | Blade Winged       | Coltello Alettato      | Lame Ailetée           | Messer Flügel     | For DELTA Bag |
| 17  | 112583500/0 | 2    | Grower             | Grower                 | Grower                 | Federring         |               |
| 18  | 112793101/0 | 2    | Screw              | Vite                   | Vis                    | Schraube          |               |
| 19  | 381004352/1 | 1    | Screw              | Vite                   | Vis                    | Schraube          |               |

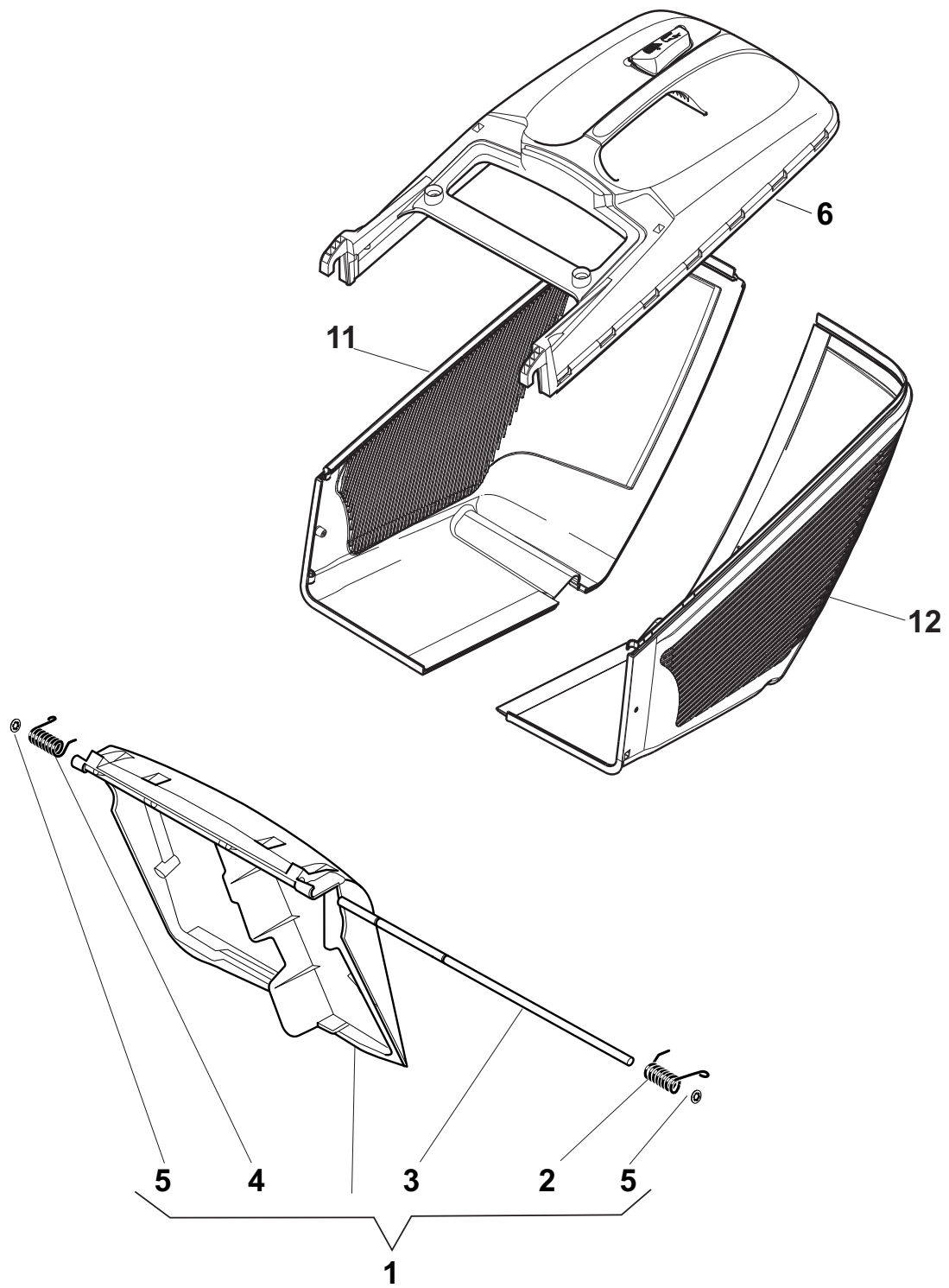


| POS | PART. NO    | Q.ty | DESCRIPTION        | DESCRIZIONE            | DESCRIPTION            | BESCHREIBUNG      | REMARKS       |
|-----|-------------|------|--------------------|------------------------|------------------------|-------------------|---------------|
| 1   | 122055058/0 | 1    | Cover, Black       | Copertura, Nero        | Couvre, Noir           | Kappe, Schwarz    |               |
| 2   | 322785210/0 | 1    | Support, Cover     | Supporto Capottina     | Support Capot          | Halter, Haube     |               |
| 3   | 112728710/0 | 4    | Screw              | Vite                   | Vis                    | Schraube          |               |
| 4   | 118563605/0 | 1    | Motor ATB          | Motore ATB             | Moteur ATB             | Motor ATB         | 1600W         |
| 4   | 118563640/0 | 1    | Motor ATB          | Motore ATB             | Moteur ATB             | Motor ATB         | 1800W         |
| 5   | 118740054/0 | 1    | Fan Motor Atb      | Ventola Per Motore Atb | Ventilateur Moteur Atb | Lüfter Motor Atb  |               |
| 6   | 118222039/0 | 1    | Condenser 25 µf    | Condensatore 25 µf     | Condenseur 25 µf       | Kondensator 25 µf | 1800W         |
| 6   | 118222045/0 | 1    | Condenser 16 µf    | Condensatore 16 µf     | Condenseur 16 µf       | Kondensator 16 µf | 1600W         |
| 7   | 112735410/0 | 4    | Screw              | Vite                   | Vis                    | Schraube          |               |
| 8   | 112583500/0 | 4    | Grower             | Grower                 | Grower                 | Federring         |               |
| 9   | 112293200/0 | 4    | Nut                | Dado                   | Ecrou                  | Mutter            |               |
| 10  | 322207211/4 | 1    | Flange             | Flangia                | Bride                  | Flansch           |               |
| 10  | 322207216/0 | 1    | Flange             | Flangia                | Bride                  | Flansch           | with Mulching |
| 11  | 322720360/2 | 1    | Ventilation Screen | Schermo                | Ecran Ventilation      | Lüftungschirm     |               |
| 12  | 112793700/0 | 4    | Screw              | Vite                   | Vis                    | Schraube          |               |
| 13  | 112139440/0 | 1    | Feather            | Linguetta              | Clavette               | Keil              |               |
| 14  | 112728680/0 | 2    | Screw              | Vite                   | Vis                    | Schraube          |               |
| 15  | 322463186/3 | 1    | Hub                | Mozzo                  | Moyeu                  | Nabe              |               |
| 16  | 181004346/3 | 1    | Blade Standard     | Coltello Standard      | Lame Standard          | Messer Standard   |               |
| 16  | 181004397/0 | 1    | Blade Winged       | Coltello Alettato      | Lame Ailetée           | Messer Flügel     | For DELTA Bag |
| 17  | 112583500/0 | 2    | Grower             | Grower                 | Grower                 | Federring         |               |
| 18  | 112793101/0 | 2    | Screw              | Vite                   | Vis                    | Schraube          |               |
| 19  | 381004352/1 | 1    | Screw              | Vite                   | Vis                    | Schraube          |               |

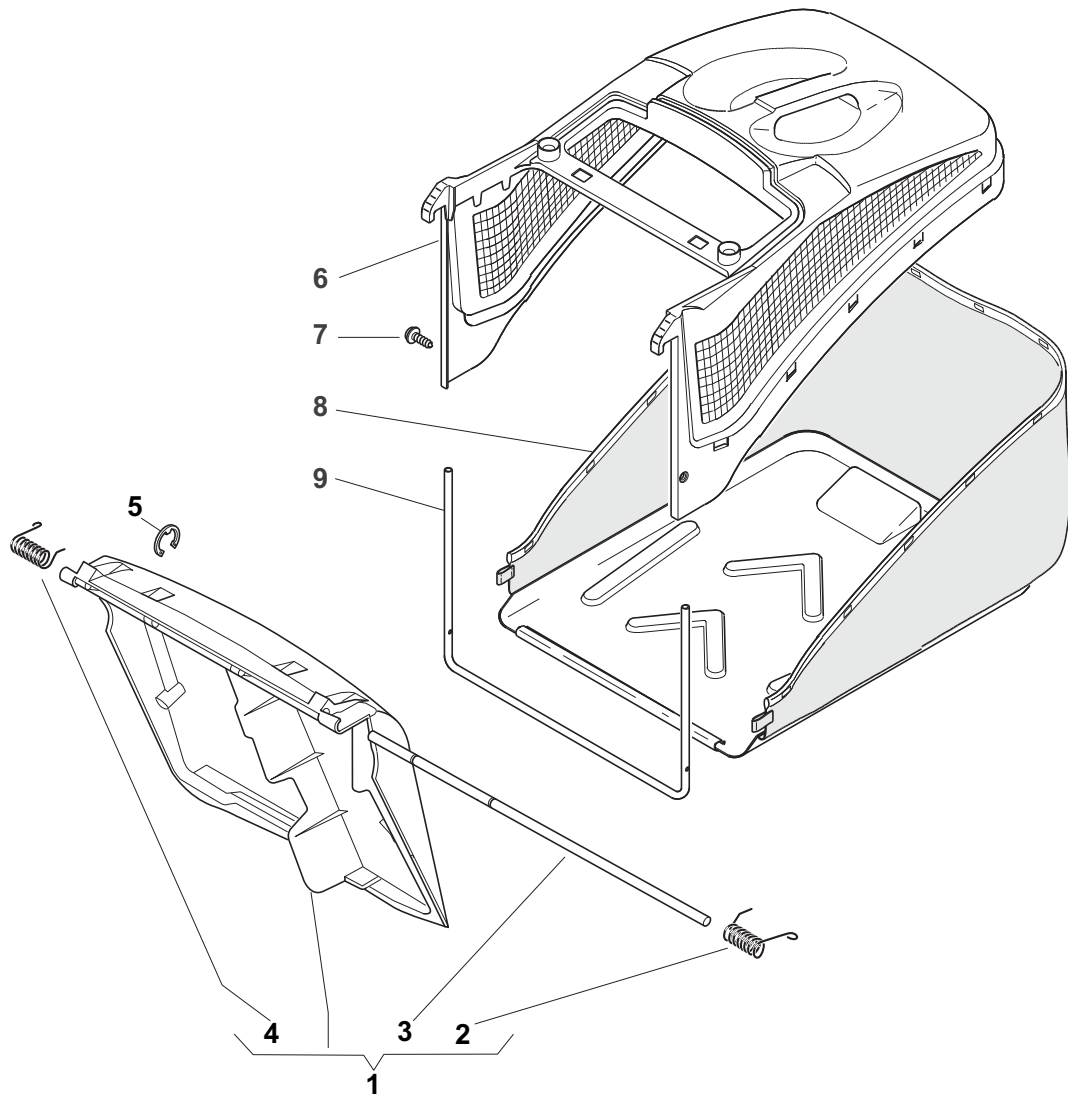




| POS | PART. NO    | Q.ty | DESCRIPTION           | DESCRIZIONE        | DESCRIPTION            | BESCHREIBUNG        | REMARKS |
|-----|-------------|------|-----------------------|--------------------|------------------------|---------------------|---------|
| 1   | 381008081/2 | 1    | Stone-Guard Black     | Parasassi Nero     | Pare-Pierres, Noir     | Prallblech, Schwarz | Black   |
| 1   | 381008082/2 | 1    | Stone-Guard Yellow    | Parasassi Giallo   | Pare-Pierres, Jaune    | Prallblech, Gelb    | Yellow  |
| 2   | 122450466/0 | 1    | L Spring              | Molla Sx           | Ressort G              | Linke Feder         |         |
| 3   | 122517882/0 | 1    | Pin                   | Perno              | Pivot                  | Bolzen              |         |
| 4   | 122450465/0 | 1    | R Spring              | Molla Dx           | Ressort D              | Rechte Feder        |         |
| 5   | 112604899/0 | 2    | Crown Fastener        | Fissatore A Corona | Fixateur A Couronne    | Kronescheibe        |         |
| 6   | 381486008/0 | 6    | Grass-Box, Upper Part | Sacco, Parte Sup   | Sac, Partie Superieure | Korb, Oberteil      | Black   |
| 6   | 381486012/0 | 6    | Grass-Box, Upper Part | Sacco, Parte Sup   | Sac, Partie Superieure | Korb, Oberteil      | Yellow  |
| 7   | 122608525/0 | 1    | Stiffening Lower      | Rinforzo Inf       | Réinforcement Inf      | Verstärkung Untere  |         |
| 8   | 181002211/0 | 1    | Box, Fabric           | Sacco, Tela        | Sac, Toile             | Sack, Tuck          |         |
| 9   | 112728680/0 | 2    | Screw                 | Vite               | Vis                    | Schraube            |         |
| 10  | 112523050/0 | 2    | Washer                | Rosetta            | Rondelle               | Scheibe             |         |



| POS | PART. NO    | Q.ty | DESCRIPTION           | DESCRIZIONE         | DESCRIPTION              | BESCHREIBUNG      | REMARKS |
|-----|-------------|------|-----------------------|---------------------|--------------------------|-------------------|---------|
| 1   | 381008081/2 | 1    | Stone-Guard Black     | Parasassi Nero      | Pare-Pierres, Noir       | Prallblech        | Black   |
| 1   | 381008082/2 | 1    | Stone-Guard Yellow    | Parasassi Giallo    | Pare-Pierres, Jaune      | Prallblech, Gelb  | Yellow  |
| 2   | 122450466/0 | 1    | L Spring              | Molla Sx            | Ressort G                | Linke Feder       |         |
| 3   | 122517882/0 | 1    | Pin                   | Perno               | Pivot                    | Bolzen            |         |
| 4   | 122450465/0 | 1    | R Spring              | Molla Dx            | Ressort D                | Rechte Feder      |         |
| 5   | 112604899/0 | 2    | Crown Fastener        | Fissatore A Corona  | Fixateur A Couronne      | Kronescheibe      |         |
| 6   | 381486008/0 | 6    | Grass-Box, Upper Part | Sacco, Parte Sup    | Sac, Partie Superieure   | Korb, Oberteil    | Black   |
| 6   | 381486012/0 | 6    | Grass-Box, Upper Part | Sacco, Parte Sup    | Sac, Partie Superieure   | Korb, Oberteil    | Yellow  |
| 11  | 322486150/1 | 1    | Grass-Box, R Lower    | Sacco, Parte Inf Dx | Sac, Partie Inferieure D | Korb, R Unterteil |         |
| 12  | 322486151/1 | 1    | Grass-Box, L Lower    | Sacco, Parte Inf Sx | Sac, Partie Inferieure G | Korb, L Unterteil |         |



| POS | PART. NO    | Q.ty | DESCRIPTION      | DESCRIZIONE      | DESCRIPTION            | BESCHREIBUNG       | REMARKS |
|-----|-------------|------|------------------|------------------|------------------------|--------------------|---------|
| 1   | 381008021/2 | 1    | Stone-Guard      | Parasassi        | Pare-Pierres           | Prallblech         |         |
| 2   | 122450420/1 | 1    | L Spring         | Molla Sx         | Ressort G              | Linke Feder        |         |
| 3   | 122517906/1 | 1    | Pin              | Perno            | Pivot                  | Bolzen             |         |
| 4   | 122450410/1 | 1    | R Spring         | Molla Dx         | Ressort D              | Rechte Feder       |         |
| 5   | 112000930/0 | 1    | Snap Ring        | Anello Elastico  | Anneau Ressort         | Sprengring         |         |
| 6   | 122486093/0 | 1    | Grass-Box, Upper | Sacco, Parte Sup | Sac, Partie Superieure | Korb, Oberteil     |         |
| 7   | 112728445/0 | 2    | Screw            | Vite             | Vis                    | Schraube           |         |
| 8   | 181002195/0 | 1    | Box, Fabric      | Sacco, Tela      | Sac, Toile             | Sack, Tuck         |         |
| 9   | 122608523/0 | 1    | Stiffening Lower | Rinforzo Inf     | Réinforcement Inf      | Verstärkung Untere |         |