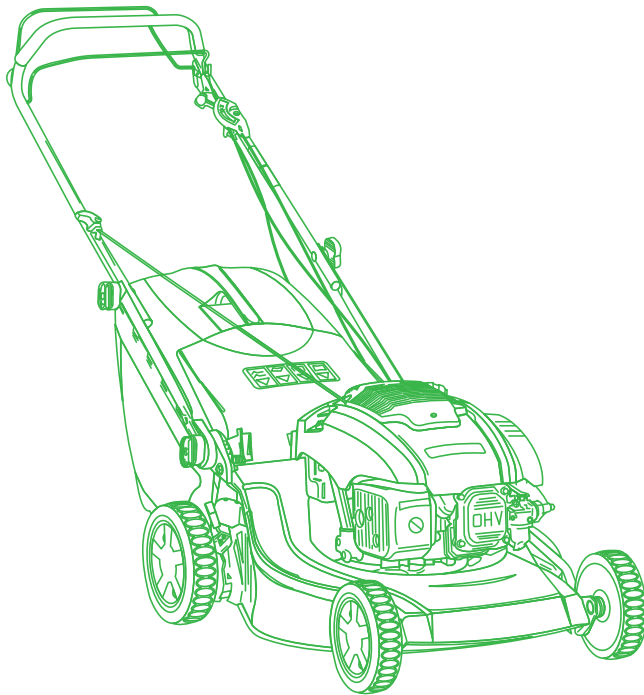


# ILLUSTRATED PARTS LIST

## TU 554 TR TU 554 TR-E

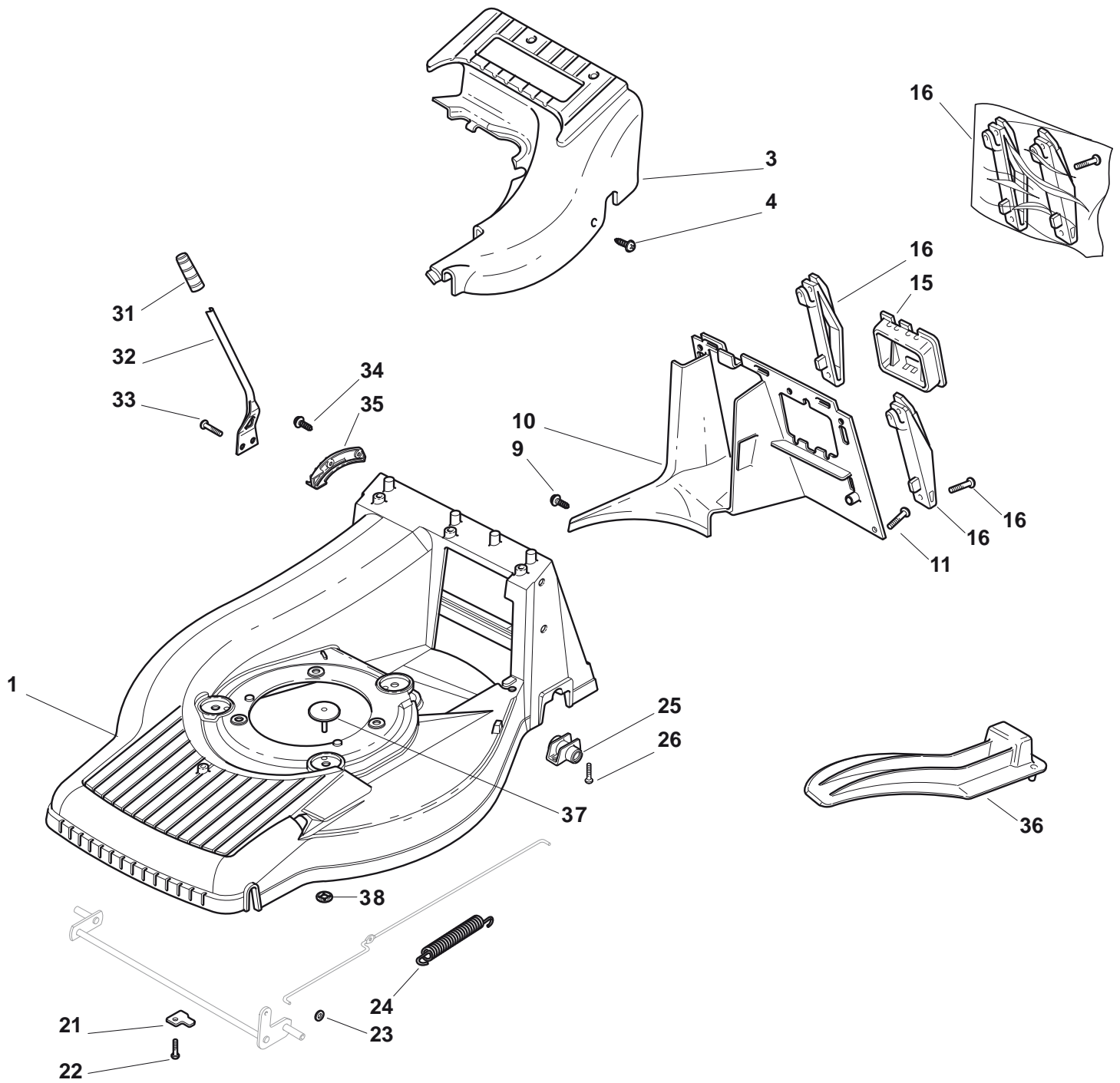


- Use GLOBAL GARDEN PRODUCT Genuine Spare Parts specified in the parts list for repair and/or replacement.
- The contents described in the parts list may change due to improvement.
- The drawings of the spare parts are only indicative and might not represent the part in question exactly.
- The indications "right" - "left" - "front" - "rear" refer to the position of the operator when using the machine.
- When placing orders of parts for repair and/or replacement, make sure that the illustrated parts list is the one applying to the machine's year of manufacture, as shown on the identification plate attached to the machine.

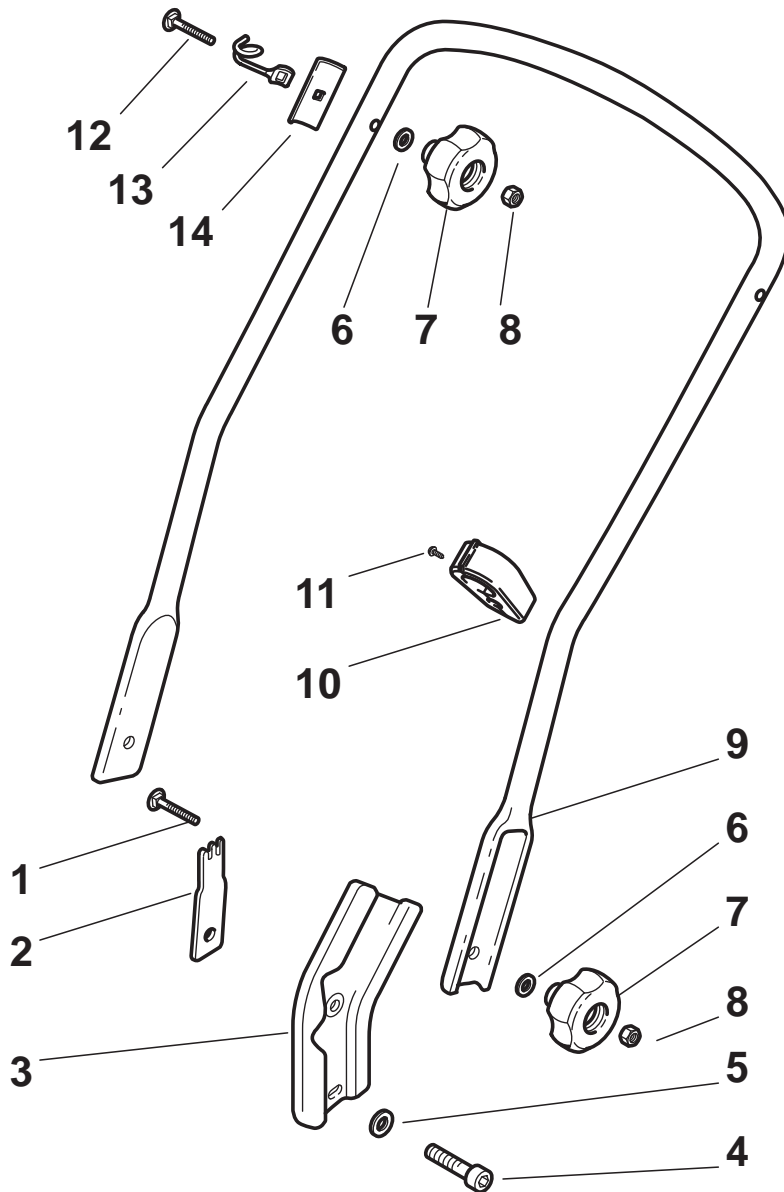
© Copyright 2013 Global Garden Products

All content is subject to copyright by Global Garden Products and may not be reproduced in whole or in part by any means, electronic or otherwise, without prior written approval.

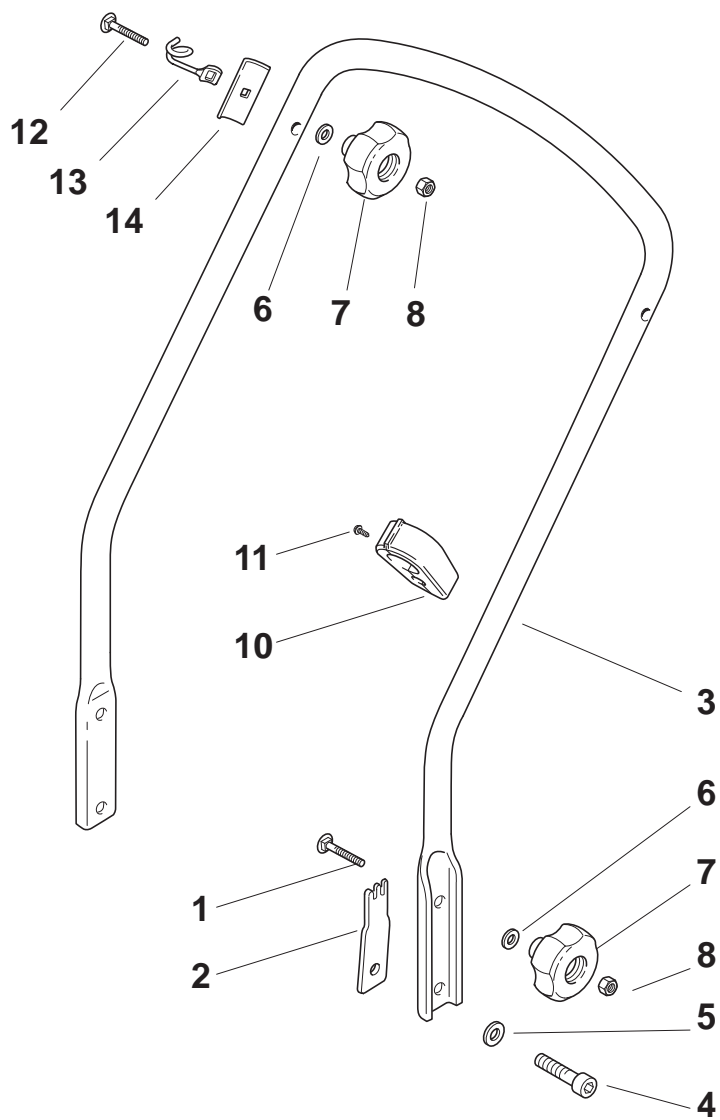
THIS INFORMATION IS NOT INTENDED FOR SALE OR RESALE, AND THIS NOTICE MUST REMAIN ON ALL COPIES.



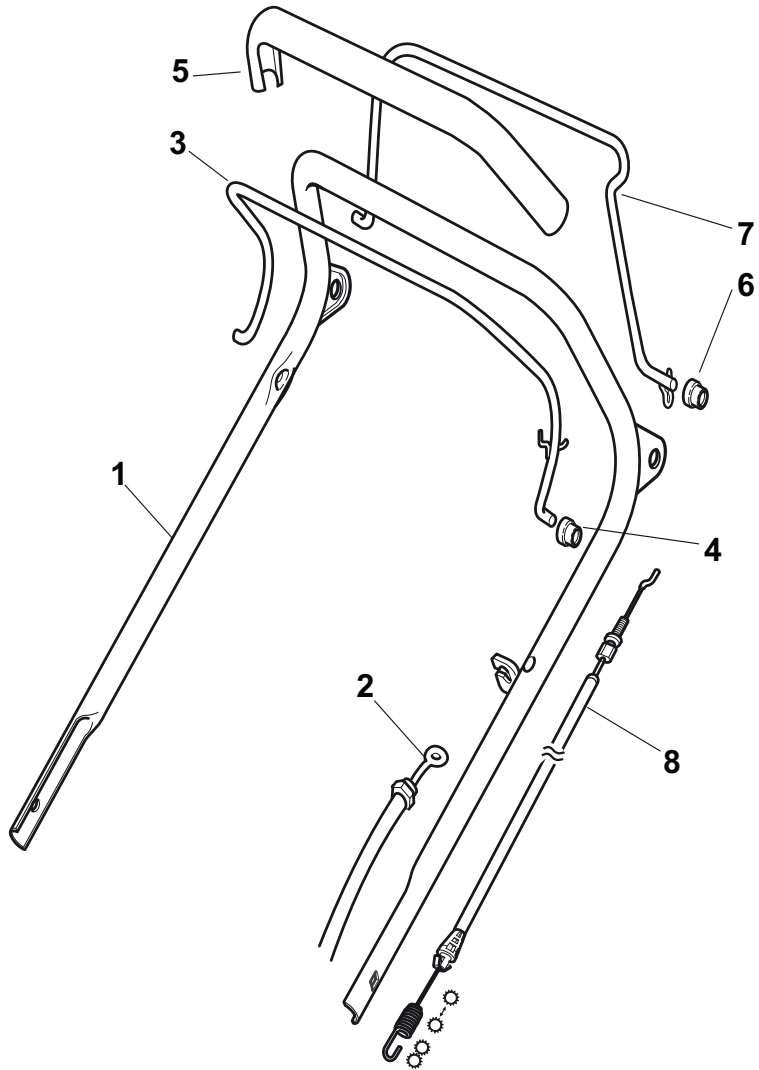
| POS | PART. NO    | Q.ty | DESCRIPTION               | DESCRIZIONE                 | DESCRIPTION             | BESCHREIBUNG            | REMARKS |
|-----|-------------|------|---------------------------|-----------------------------|-------------------------|-------------------------|---------|
| 1   | 381002660/0 | 1    | Deck Yellow               | Chassis Giallo              | Châssis Jaune           | Gehäuse Gelb            |         |
| 3   | 322060154/0 | 1    | Protection, Yellow        | Carter, Giallo              | Protection, Jaune       | Schutz, Gelb            |         |
| 3   | 322060155/1 | 1    | Protection, Red           | Carter, Rosso               | Protection, Rouge       | Schutz, Rot             |         |
| 3   | 322060156/0 | 1    | Protection, Yellow        | Carter, Giallo              | Protection, Jaune       | Schutz, Gelb            |         |
| 3   | 322060157/0 | 1    | Protection, Red           | Carter, Rosso               | Protection, Rouge       | Schutz, Rot             |         |
| 4   | 112728300/0 | 3    | Screw                     | Vite                        | Vis                     | Schraube                |         |
| 9   | 112728300/0 | 1    | Screw                     | Vite                        | Vis                     | Schraube                |         |
| 10  | 322108277/0 | 1    | Rear Conveyor Assy        | Convogl. Posteriore         | Ens. Convoyeur Post.    | Hinterleitblechsatz     |         |
| 11  | 112735664/0 | 3    | Screw                     | Vite                        | Vis                     | Schraube                |         |
| 15  | 322109531/0 | 1    | Cover                     | Capottina                   | Capot                   | Haube                   |         |
| 16  | 381008658/1 | 1    | Outfit, Supports          | Dotazione Supporti          | Dotation Support        | Satz, Halter            |         |
| 21  | 322545160/0 | 2    | Plate                     | Piastrina                   | Plaquette               | Plättchen               |         |
| 22  | 112735664/0 | 2    | Screw                     | Vite                        | Vis                     | Schraube                |         |
| 23  | 112604898/0 | 2    | Crown Fastener            | Fissatore A Corona          | Fixateur A Couronne     | Kronescheibe            |         |
| 24  | 122446181/0 | 1    | Spring                    | Molla                       | Ressort                 | Feder                   |         |
| 25  | 322785153/0 | 2    | Support, Gear Box         | Supporto Gruppo Trazione    | Support Gr.             | Halter, Antrieb         |         |
| 26  | 112735664/0 | 4    | Screw                     | Vite                        | Vis                     | Schraube                |         |
| 31  | 322399808/0 | 1    | Knob                      | Manopolina                  | Poignée                 | Griff                   |         |
| 32  | 322321515/0 | 1    | Lever, Height Adjustment  | Leva Regolazione Altezza    | Levier Reglage Hauteur  | Hebel, Höneverstellung  |         |
| 33  | 112735661/0 | 2    | Screw                     | Vite                        | Vis                     | Schraube                |         |
| 34  | 112728300/0 | 2    | Screw                     | Vite                        | Vis                     | Schraube                |         |
| 35  | 322735563/0 | 1    | Sector, Height Adjustment | Settore Regolazione Altezza | Secteur Reglage Hauteur | Sektor, Höneverstellung |         |
| 36  | 322140232/0 | 1    | Deflector                 | Deflettore                  | Deflecteur              | Abweiser                |         |
| 37  | 322820055/0 | 1    | Cap Yellow                | Tappo Giallo                | Bouchon Jaune           | Gummistopfen Gelb       |         |
| 37  | 322820057/0 | 1    | Cap Black                 | Tappo Nero                  | Bouchon Noir            | Gummistopfen Schwarz    |         |
| 38  | 112604899/0 | 1    | Crown Fastener            | Fissatore A Corona          | Fixateur A Couronne     | Kronescheibe            |         |



| POS | PART. NO    | Q.ty | DESCRIPTION                | DESCRIZIONE                | DESCRIPTION                | BESCHREIBUNG           | REMARKS |
|-----|-------------|------|----------------------------|----------------------------|----------------------------|------------------------|---------|
| 1   | 112820655/0 | 2    | Screw                      | Vite                       | Vis                        | Schraube               |         |
| 2   | 322551635/0 | 1    | Plate For Handle           | Piastrina Fissaggio Manico | Plaquette Fixage Mancheron | Platte Holmbefestigung |         |
| 3   | 322778405/0 | 2    | Support                    | Supporto                   | Support                    | Halter                 |         |
| 4   | 112760515/0 | 2    | Screw                      | Vite                       | Vis                        | Schraube               |         |
| 5   | 112521350/0 | 2    | Washer                     | Rosetta                    | Rondelle                   | Scheibe                |         |
| 6   | 112521350/0 | 4    | Washer                     | Rosetta                    | Rondelle                   | Scheibe                |         |
| 7   | 322399810/0 | 4    | Knob                       | Manopolina                 | Poignée                    | Griff                  |         |
| 8   | 112361005/0 | 4    | Nut                        | Dado                       | Ecrou                      | Mutter                 |         |
| 9   | 381006613/0 | 1    | Handle, Lower Part         | Parte Inf Maniglia         | Poignée, Partie Inferieure | Griff, Unterteil       | Black   |
| 9   | 381006631/0 | 1    | Handle, Lower Part         | Parte Inf Maniglia         | Poignée, Partie Inferieure | Griff, Unterteil       | Yellow  |
| 10  | 322192001/0 | 1    | Anchor Clamp               | Fascetta Ancoraggio        | Collier                    | Bowdenzughalter        |         |
| 11  | 112728691/0 | 1    | Screw                      | Vite                       | Vis                        | Schraube               |         |
| 12  | 112820655/0 | 2    | Screw                      | Vite                       | Vis                        | Schraube               |         |
| 13  | 122430311/0 | 1    | Guide Spring               | Molla Guida                | Ressort De Guide           | Feder Führer           |         |
| 14  | 322545137/0 | 2    | Plate For Handle Fastening | Piastrina Fissaggio Manico | Plaquette Fixage Mancheron | Platte Holmbefestigung |         |

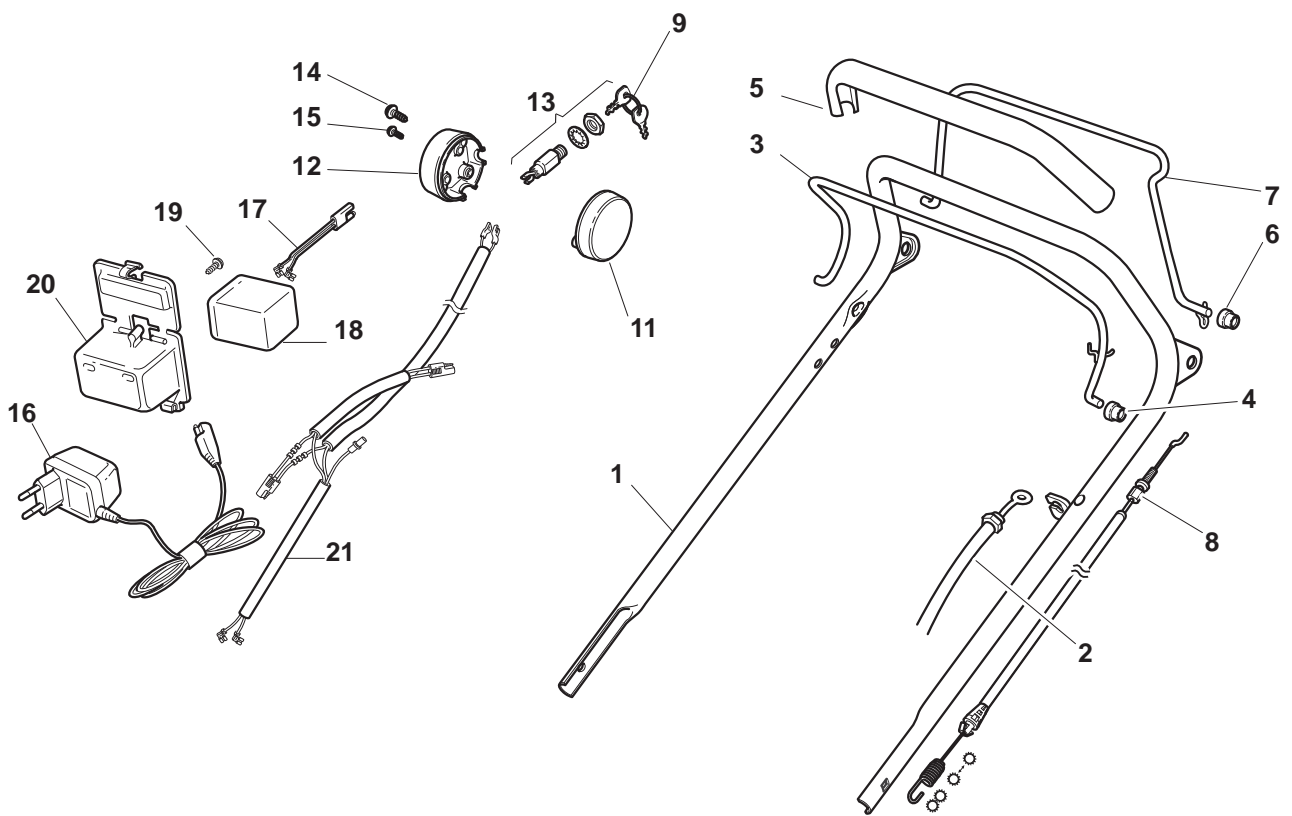


| POS | PART. NO    | Q.ty | DESCRIPTION                | DESCRIZIONE                | DESCRIPTION                | BESCHREIBUNG           | REMARKS |
|-----|-------------|------|----------------------------|----------------------------|----------------------------|------------------------|---------|
| 1   | 112820655/0 | 2    | Screw                      | Vite                       | Vis                        | Schraube               |         |
| 2   | 322551635/0 | 2    | Plate For Handle           | Piastrina Fissaggio Manico | Plaquette Fixage Mancheron | Platte Holmbefestigung |         |
| 3   | 381006641/0 | 1    | Handle, Lower Part         | Parte Inf Maniglia         | Poignée, Partie Inferieure | Griff, Unterteil       |         |
| 4   | 112760515/0 | 2    | Screw                      | Vite                       | Vis                        | Schraube               |         |
| 5   | 112521350/0 | 2    | Washer                     | Rosetta                    | Rondelle                   | Scheibe                |         |
| 6   | 112521350/0 | 4    | Washer                     | Rosetta                    | Rondelle                   | Scheibe                |         |
| 7   | 322399810/0 | 4    | Knob                       | Manopolina                 | Poignée                    | Griff                  |         |
| 8   | 112361005/0 | 4    | Nut                        | Dado                       | Ecrou                      | Mutter                 |         |
| 10  | 322192001/0 | 1    | Anchor Clamp               | Fascetta Ancoraggio        | Collier                    | Bowdenzughalter        |         |
| 11  | 112728691/0 | 1    | Screw                      | Vite                       | Vis                        | Schraube               |         |
| 12  | 112820655/0 | 2    | Screw                      | Vite                       | Vis                        | Schraube               |         |
| 13  | 122430311/0 | 1    | Guide Spring               | Molla Guida                | Ressort De Guide           | Feder Führer           |         |
| 14  | 322545137/0 | 2    | Plate For Handle Fastening | Piastrina Fissaggio Manico | Plaquette Fixage Mancheron | Platte Holmbefestigung |         |

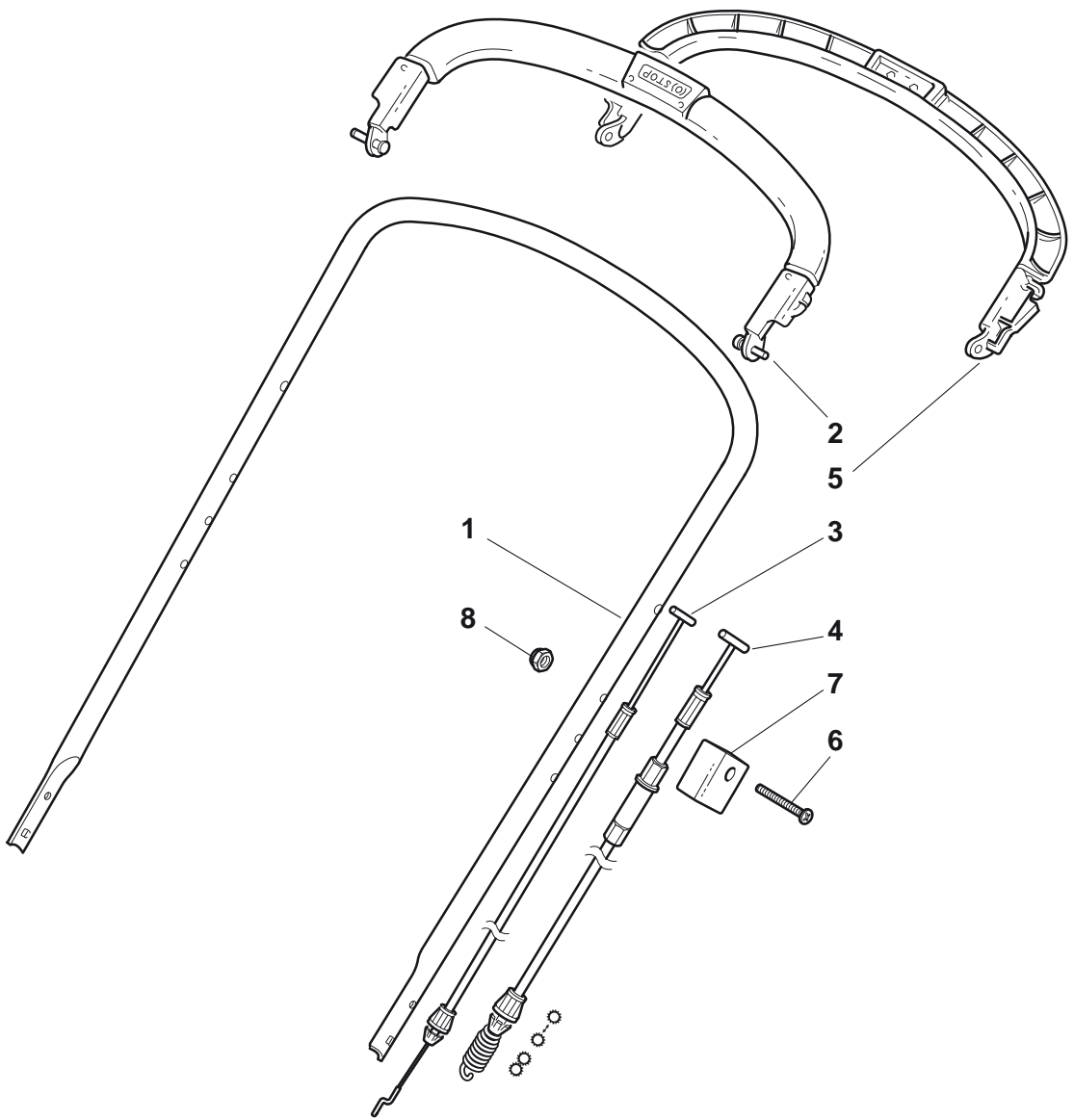




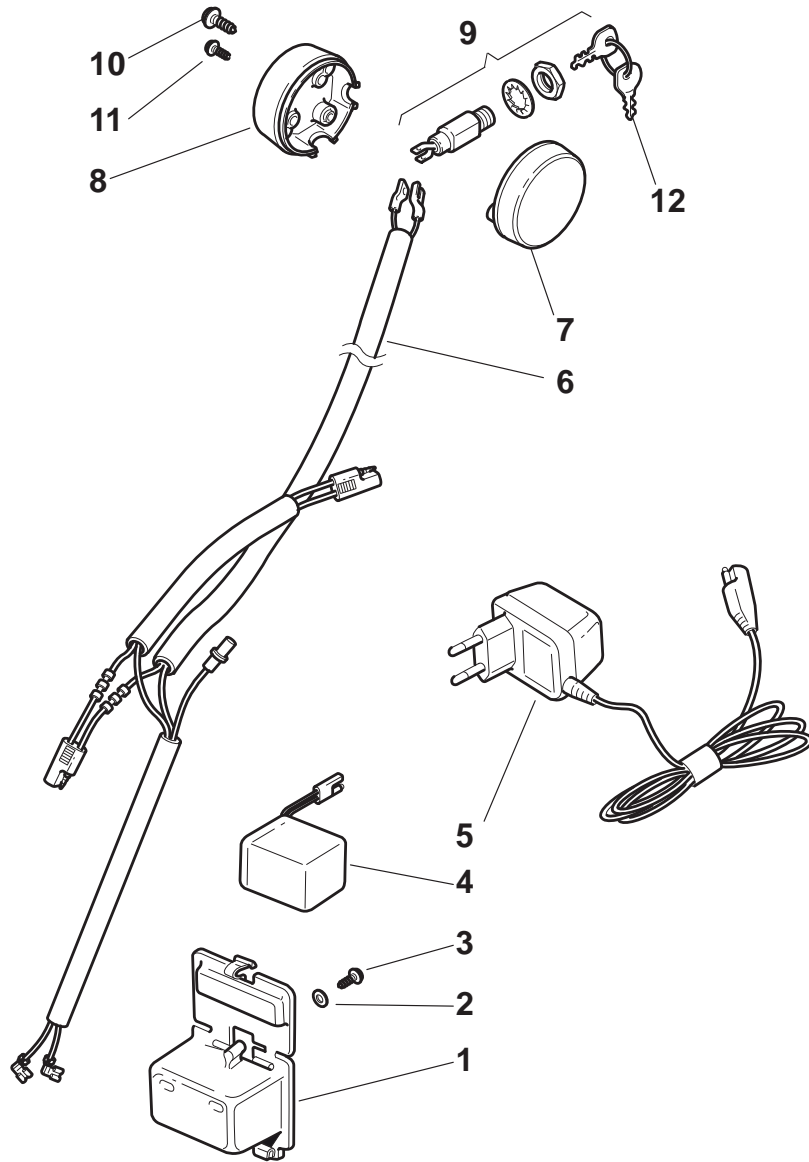
| POS | PART. NO    | Q.ty | DESCRIPTION                | DESCRIZIONE                 | DESCRIPTION                  | BESCHREIBUNG            | REMARKS     |
|-----|-------------|------|----------------------------|-----------------------------|------------------------------|-------------------------|-------------|
| 1   | 381007024/0 | 1    | Handle, Upper Part         | Manico, Parte Sup           | Mancheron, Partie Superieure | Holm, Oberteil          |             |
| 2   | 181000642/1 | 1    | Cable, Thread Engine Brake | Cavo Freno Motore           | Cable Frein Moteur           | Kabel, Motorbremse      | HONDA-GGP   |
| 2   | 181000642/1 | 1    | Cable, Thread Engine Brake | Cavo Freno Motore           | Cable Frein Moteur           | Kabel, Motorbremse      | B&S 625-675 |
| 2   | 181000756/0 | 1    | Cable, Thread Engine Brake | Cavo Freno Motore           | Cable Frein Moteur           | Kabel, Motorbremse      | GGP150cc    |
| 2   | 181030006/0 | 1    | Cable, Thread Engine Brake | Cavo Freno Motore           | Cable Frein Moteur           | Kabel, Motorbremse      | B&S 700-750 |
| 3   | 181003291/3 | 1    | Lever, Engine Brake        | Leva Freno Motore           | Levier Frein Moteur          | Hebel, Motorbremse      |             |
| 4   | 122041966/0 | 2    | Bush                       | Bussola                     | Douille                      | Büchse                  |             |
| 5   | 122291050/0 | 1    | Handgrip Black             | Impugnatura Manico Nera     | Poignée Noir                 | Handgriff Schwarz       |             |
| 6   | 322041965/1 | 2    | Bush                       | Bussola                     | Douille                      | Büchse                  |             |
| 7   | 181003288/1 | 1    | Lever, Driving             | Leva Trazione               | Levier Traction              | Antriebhebel            |             |
| 8   | 381030008/0 | 1    | Cable, Rear Drive          | Cavo Comando Trazione       | Câble, Comm. Traction        | Kabel, Antrieb          |             |
| 8   | 322545211/0 | 2    | Plate                      | Piastrina                   | Plaquette                    | Plättchen               |             |
| 9   | 322735595/1 | 2    | Sector, Height Adjustment  | Settore Regolazione Altezza | Secteur Reglage Hauteur      | Sektor, Höheverstellung |             |



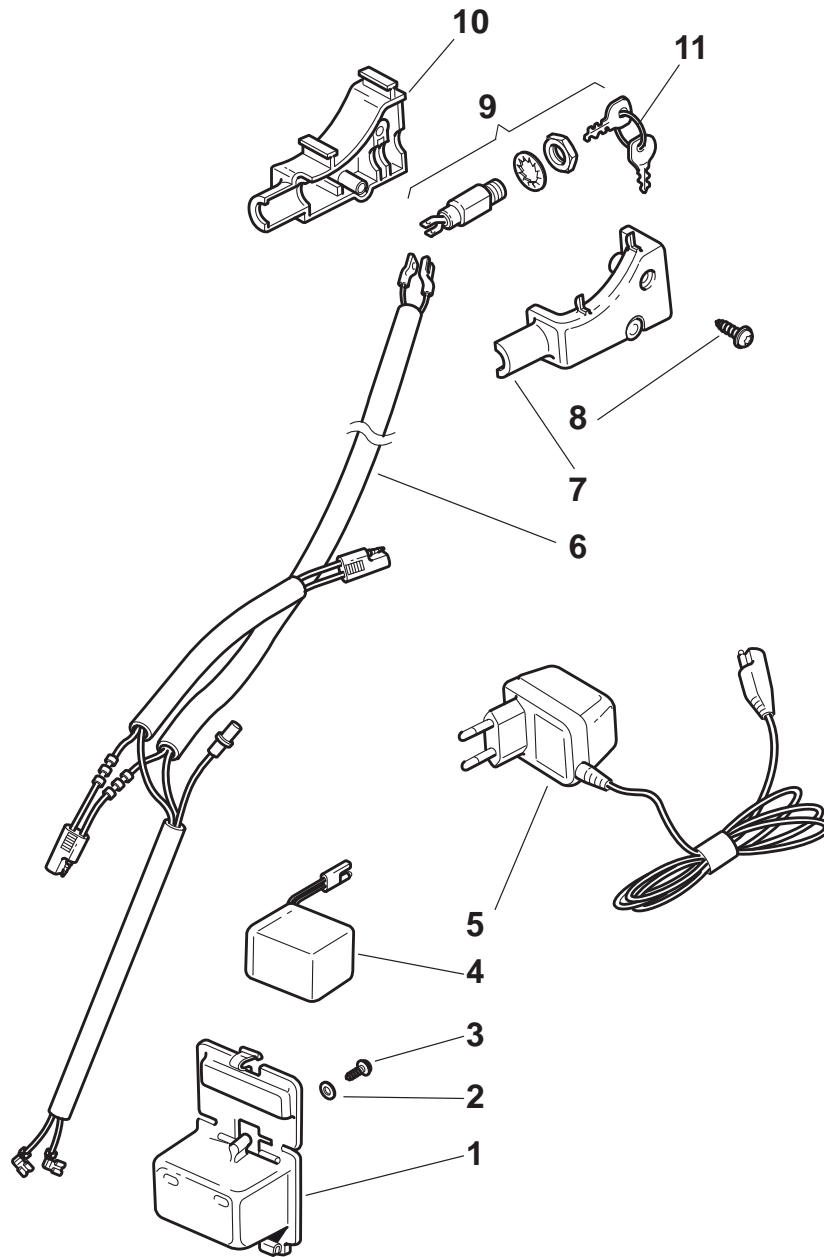
| POS | PART. NO    | Q.ty | DESCRIPTION                | DESCRIZIONE             | DESCRIPTION                  | BESCHREIBUNG        | REMARKS     |
|-----|-------------|------|----------------------------|-------------------------|------------------------------|---------------------|-------------|
| 1   | 381006863/0 | 1    | Handle, Upper Part         | Manico, Parte Sup       | Mancheron, Partie Superieure | Holm, Oberteil      |             |
| 2   | 181000642/1 | 1    | Cable, Thread Engine Brake | Cavo Freno Motore       | Cable Frein Moteur           | Kabel, Motorbremse  | HONDA-GGP   |
| 2   | 181000642/1 | 1    | Cable, Thread Engine Brake | Cavo Freno Motore       | Cable Frein Moteur           | Kabel, Motorbremse  | B&S 625-675 |
| 2   | 181000756/0 | 1    | Cable, Thread Engine Brake | Cavo Freno Motore       | Cable Frein Moteur           | Kabel, Motorbremse  | GGP150cc    |
| 2   | 181030006/0 | 1    | Cable, Thread Engine Brake | Cavo Freno Motore       | Cable Frein Moteur           | Kabel, Motorbremse  | B&S 700-750 |
| 3   | 181003291/3 | 1    | Lever, Engine Brake        | Leva Freno Motore       | Levier Frein Moteur          | Hebel, Motorbremse  |             |
| 4   | 122041966/0 | 2    | Bush                       | Bussola                 | Douille                      | Büchse              |             |
| 5   | 122291050/0 | 1    | Handgrip Black             | Impugnatura Manico Nera | Poignée Noir                 | Handgriff Schwarz   |             |
| 6   | 322041965/1 | 2    | Bush                       | Bussola                 | Douille                      | Büchse              |             |
| 7   | 181003288/1 | 1    | Lever, Driving             | Leva Trazione           | Levier Traction              | Antriebhebel        |             |
| 8   | 381030008/0 | 1    | Cable, Rear Drive          | Cavo Comando Trazione   | Câble, Comm. Traction        | Kabel, Antrieb      |             |
| 9   | 118210016/1 | 1    | Starting Key               | Chiave Avviamento       | Clef A Demarrage             | Schlüssel Für Start |             |
| 11  | 322722801/0 | 1    | L Protection               | Protezione Sx           | Protection G                 | Linke Schutz        |             |
| 12  | 322722800/0 | 1    | R Protection               | Protezione Dx           | Protection D                 | Rechte Schutz       |             |
| 13  | 118450050/0 | 1    | Switch                     | Interruttore            | Interrupteur                 | Schalter            |             |
| 14  | 112728300/0 | 2    | Screw                      | Vite                    | Vis                          | Schraube            |             |
| 15  | 112728691/0 | 1    | Screw                      | Vite                    | Vis                          | Schraube            |             |
| 16  | 118204120/0 | 1    | Battery Charger            | Carica Batteria         | Chargeur De Batterie         | Ladgerät            | CE          |
| 16  | 118204121/0 | 1    | Battery Charger            | Carica Batteria         | Chargeur De Batterie         | Ladgerät            | Uk          |
| 18  | 118120053/0 | 1    | Battery                    | Batteria                | Batterie                     | Batterie            |             |
| 18  | 122063002/2 | 1    | Cable, Start               | Cavo Avviamento         | Cable Démarrage              | Kabel, Start        |             |
| 19  | 112728691/0 | 1    | Screw                      | Vite                    | Vis                          | Schraube            |             |
| 20  | 322109533/0 | 1    | Battery Box                | Contentore Batteria     | Conteneur De Batterie        | Batterie Behälter   |             |
| 21  | 118204196/0 | 1    | Cable, Start               | Cavo Avviamento         | Cable Démarrage              | Kabel, Start        |             |



| POS | PART. NO    | Q.ty | DESCRIPTION                | DESCRIZIONE           | DESCRIPTION                  | BESCHREIBUNG       | REMARKS     |
|-----|-------------|------|----------------------------|-----------------------|------------------------------|--------------------|-------------|
| 1   | 381006618/1 | 1    | Handle, Upper Part         | Manico, Parte Sup     | Mancheron, Partie Superieure | Holm, Oberteil     | Black       |
| 1   | 381006632/1 | 1    | Handle, Upper Part         | Manico, Parte Sup     | Mancheron, Partie Superieure | Holm, Oberteil     | Yellow      |
| 2   | 381003330/0 | 1    | Lever, Engine Brake        | Leva Freno Motore     | Levier Frein Moteur          | Hebel, Motorbremse |             |
| 3   | 181000642/1 | 1    | Cable, Thread Engine Brake | Cavo Freno Motore     | Cable Frein Moteur           | Kabel, Motorbremse | B&S 625-675 |
| 3   | 181000688/0 | 1    | Cable, Thread Engine Brake | Cavo Freno Motore     | Cable Frein Moteur           | Kabel, Motorbremse | GGP         |
| 3   | 181000689/0 | 1    | Cable, Thread Engine Brake | Cavo Freno Motore     | Cable Frein Moteur           | Kabel, Motorbremse | TECUMSEH    |
| 3   | 181000777/0 | 1    | Cable, Thread Engine Brake | Cavo Freno Motore     | Cable Frein Moteur           | Kabel, Motorbremse | GGP150cc    |
| 3   | 181000777/0 | 1    | Cable, Thread Engine Brake | Cavo Freno Motore     | Cable Frein Moteur           | Kabel, Motorbremse | B&S 700     |
| 3   | 181030061/0 | 1    | Cable, Thread Engine Brake | Cavo Freno Motore     | Cable Frein Moteur           | Kabel, Motorbremse |             |
| 4   | 381000697/0 | 1    | Cable, Rear Drive          | Cavo Comando Trazione | Câble, Comm. Traction        | Kabel, Antrieb     |             |
| 5   | 381003297/1 | 1    | Driving Lever              | Leva Trazione         | Levier Traction              | Antriebhebel       |             |
| 6   | 112727783/0 | 1    | Screw                      | Vite                  | Vis                          | Schraube           |             |
| 7   | 322551640/0 | 1    | Plate                      | Piastrina             | Plaquette                    | Plättchen          |             |
| 8   | 112154510/0 | 1    | Nut                        | Dado                  | Ecrou                        | Mutter             |             |

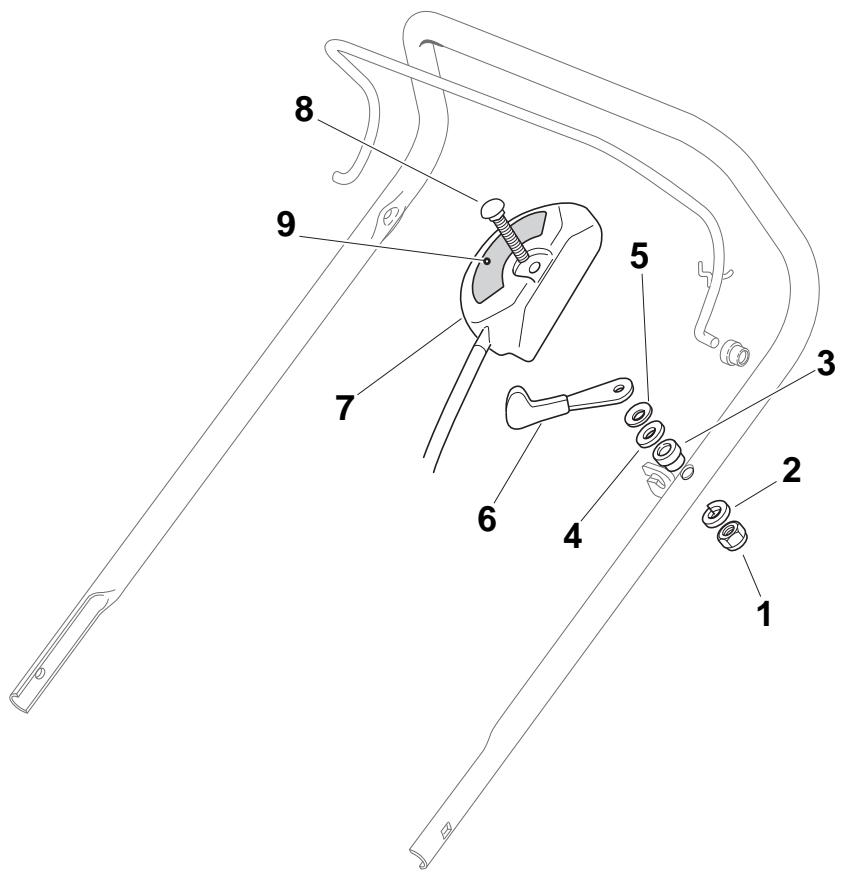


| POS | PART. NO    | Q.ty | DESCRIPTION     | DESCRIZIONE         | DESCRIPTION           | BESCHREIBUNG        | REMARKS |
|-----|-------------|------|-----------------|---------------------|-----------------------|---------------------|---------|
| 1   | 322109533/0 | 1    | Battery Box     | Contentore Batteria | Conteneur De Batterie | Batterie Behälter   |         |
| 2   | 112523040/0 | 1    | Washer          | Rosetta             | Rondelle              | Scheibe             |         |
| 3   | 112728691/0 | 1    | Screw           | Vite                | Vis                   | Schraube            |         |
| 4   | 118120052/0 | 1    | Battery         | Batteria            | Batterie              | Batterie            |         |
| 5   | 118204120/0 | 1    | Battery Charger | Carica Batteria     | Chargeur De Batterie  | Ladgerät            | UE plug |
| 5   | 118204121/0 | 1    | Battery Charger | Carica Batteria     | Chargeur De Batterie  | Ladgerät            | Uk Plug |
| 6   | 118204195/0 | 1    | Cable, Start    | Cavo Avviamento     | Cable Démarrage       | Kabel, Start        |         |
| 7   | 322722801/0 | 1    | L Protection    | Protezione Sx       | Protection G          | Linke Schutz        |         |
| 8   | 322722800/0 | 1    | R Protection    | Protezione Dx       | Protection D          | Rechte Schutz       |         |
| 9   | 118450050/0 | 1    | Switch          | Interruttore        | Interrupteur          | Schalter            |         |
| 10  | 112728702/0 | 2    | Screw           | Vite                | Vis                   | Schraube            |         |
| 11  | 112728691/0 | 1    | Screw           | Vite                | Vis                   | Schraube            |         |
| 12  | 118210016/1 | 1    | Starting Key    | Chiave Avviamento   | Clef A Demarrage      | Schlüssel Für Start |         |

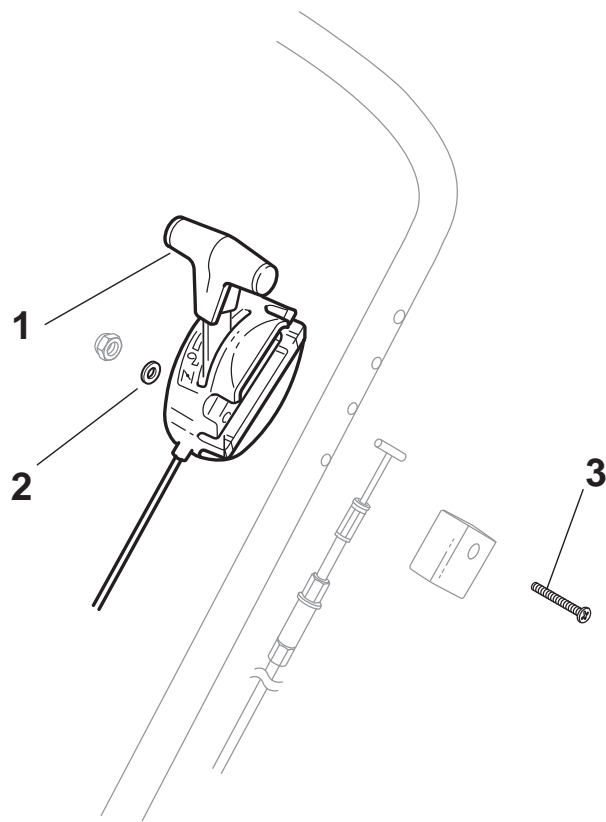




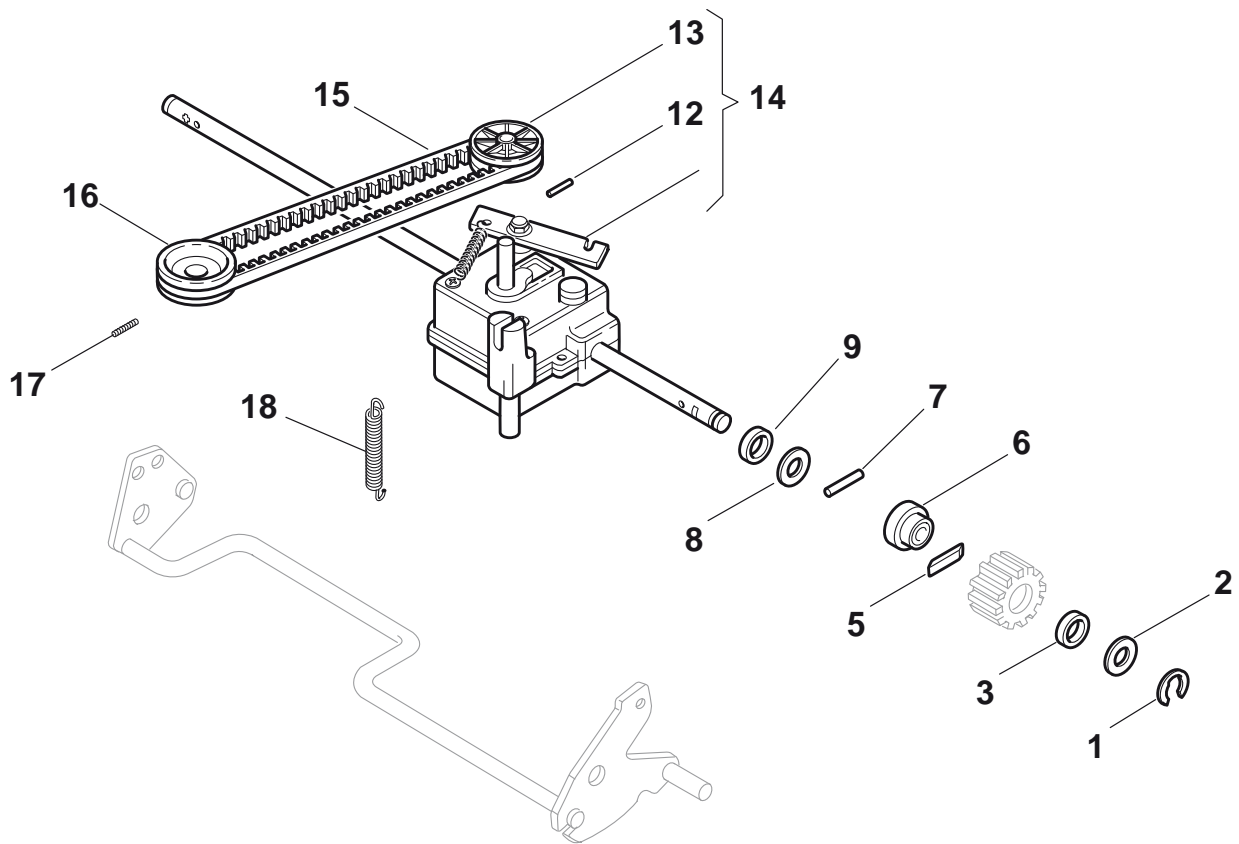
| POS | PART. NO    | Q.ty | DESCRIPTION     | DESCRIZIONE          | DESCRIPTION           | BESCHREIBUNG        | REMARKS |
|-----|-------------|------|-----------------|----------------------|-----------------------|---------------------|---------|
| 1   | 322109533/0 | 1    | Battery Box     | Contenitore Batteria | Conteneur De Batterie | Batterie Behalter   |         |
| 2   | 112523040/0 | 1    | Washer          | Rosetta              | Rondelle              | Scheibe             |         |
| 3   | 112728691/0 | 1    | Screw           | Vite                 | Vis                   | Schraube            |         |
| 4   | 118120052/0 | 1    | Battery         | Batteria             | Batterie              | Batterie            |         |
| 5   | 118204120/0 | 1    | Battery Charger | Carica Batteria      | Chargeur De Batterie  | Ladgerät            | UE plug |
| 5   | 118204121/0 | 1    | Battery Charger | Carica Batteria      | Chargeur De Batterie  | Ladgerät            | Uk Plug |
| 6   | 118204195/0 | 1    | Cable, Start    | Cavo Avviamento      | Cable Démarrage       | Kabel, Start        |         |
| 7   | 322722805/1 | 1    | L Protection    | Protezione Sx        | Protection G          | Linke Schutz        |         |
| 8   | 112728300/0 | 1    | Screw           | Vite                 | Vis                   | Schraube            |         |
| 9   | 118450050/0 | 1    | Switch          | Interruttore         | Interrupteur          | Schalter            |         |
| 10  | 322722804/1 | 1    | R Protection    | Protezione Dx        | Protection D          | Rechte Schutz       |         |
| 11  | 118210016/1 | 1    | Starting Key    | Chiave Avviamento    | Clef A Demarrage      | Schlüssel Für Start |         |



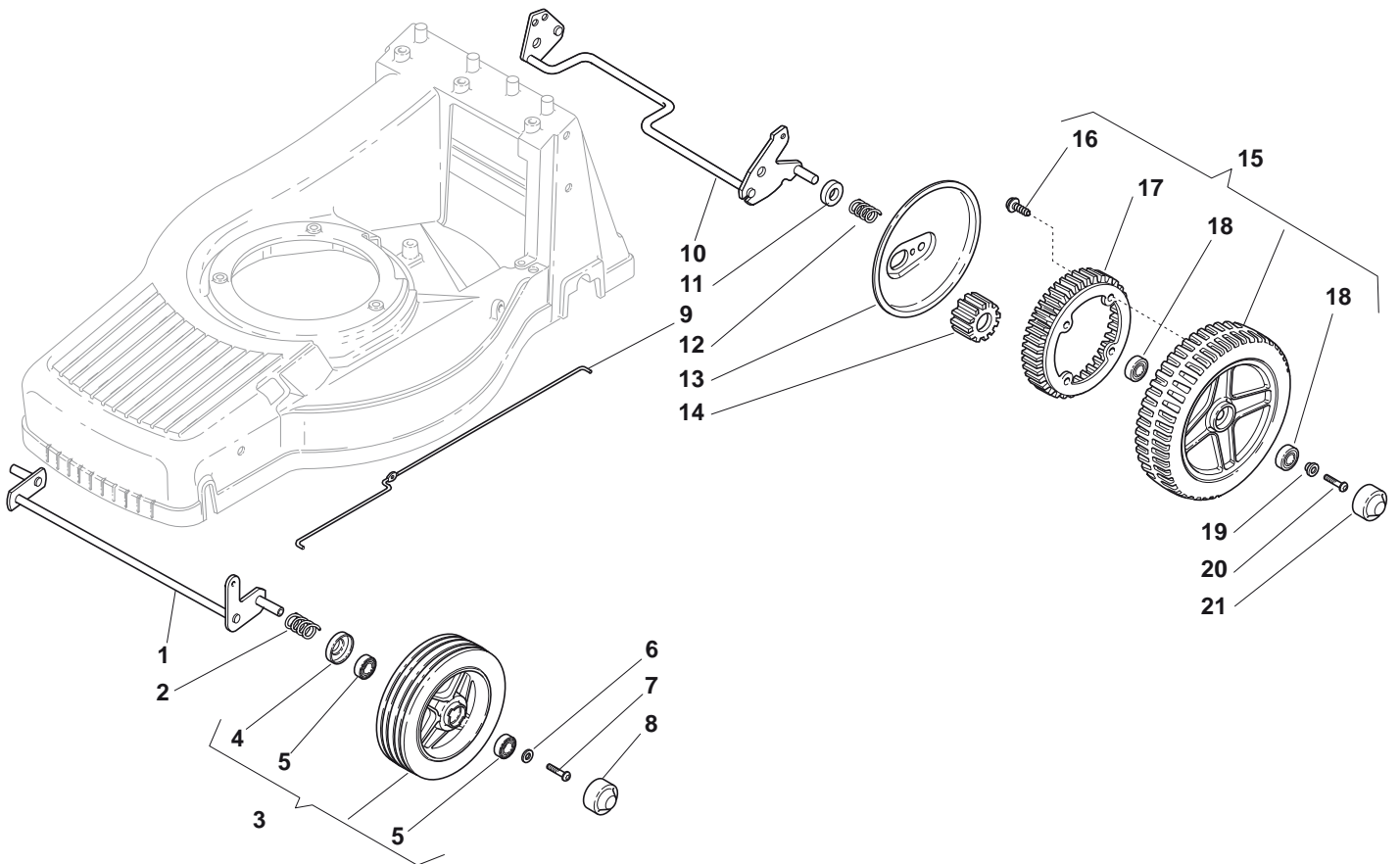
| POS | PART. NO    | Q.ty | DESCRIPTION     | DESCRIZIONE        | DESCRIPTION          | BESCHREIBUNG        | REMARKS                    |
|-----|-------------|------|-----------------|--------------------|----------------------|---------------------|----------------------------|
| 1   | 112291000/0 | 1    | Nut             | Dado               | Ecrou                | Mutter              |                            |
| 2   | 112581500/0 | 1    | Grower          | Grower             | Grower               | Federring           |                            |
| 3   | 122171005/0 | 1    | Spacer          | Distanziale        | Entretoise           | Distanzring         |                            |
| 4   | 112521360/0 | 1    | Washer          | Rosetta            | Rondelle             | Scheibe             |                            |
| 5   | 112508100/0 | 1    | Spring Washer   | Rosetta Elastica   | Rondelle Elastique   | Elastische Scheibe  |                            |
| 6   | 381007220/0 | 1    | Lever, Throttle | Leva, Acceleratore | Levier, Accelérateur | Hebel, Beshleuniger | B&S 450-500 /<br>GGP 150cc |
| 6   | 381007279/1 | 1    | Lever, Throttle | Leva, Acceleratore | Levier, Accelérateur | Hebel, Beshleuniger | B&S-GGP-<br>Honda          |
| 7   | 481007080/0 | 1    | Throttle Cable  | Cavo Acceleratore  | Cable, Accelérateur  | Gashebel Kabel      |                            |
| 8   | 112815000/0 | 1    | Screw           | Vite               | Vis                  | Schraube            |                            |
| 9   | 114356702/0 | 1    | Label           | Etichetta          | Etiquette            | Etikette            | GGP                        |
| 9   | 114356702/0 | 1    | Label           | Etichetta          | Etiquette            | Etikette            | Honda                      |
| 9   | 114356703/0 | 1    | Label           | Etichetta          | Etiquette            | Etikette            | B&S                        |
| 9   | 114356905/0 | 1    | Label           | Etichetta          | Etiquette            | Etikette            | DOV                        |
| 9   | 114364264/0 | 1    | Label           | Etichetta          | Etiquette            | Etikette            | AVS                        |



| POS | PART. NO    | Q.ty | DESCRIPTION    | DESCRIZIONE       | DESCRIPTION         | BESCHREIBUNG   | REMARKS        |
|-----|-------------|------|----------------|-------------------|---------------------|----------------|----------------|
| 1   | 181007126/0 | 1    | Throttle Cable | Cavo Acceleratore | Cable, Accelérateur | Gashebel Kabel | Honda          |
| 1   | 181007127/1 | 1    | Throttle Cable | Cavo Acceleratore | Cable, Accelérateur | Gashebel Kabel | B&S Capro-GGP  |
| 1   | 181007128/0 | 1    | Throttle Cable | Cavo Acceleratore | Cable, Accelérateur | Gashebel Kabel | B&S Deluxe-GGP |
| 2   | 112523040/0 | 1    | Washer         | Rosetta           | Rondelle            | Scheibe        |                |
| 3   | 112727787/0 | 1    | Screw          | Vite              | Vis                 | Schraube       |                |

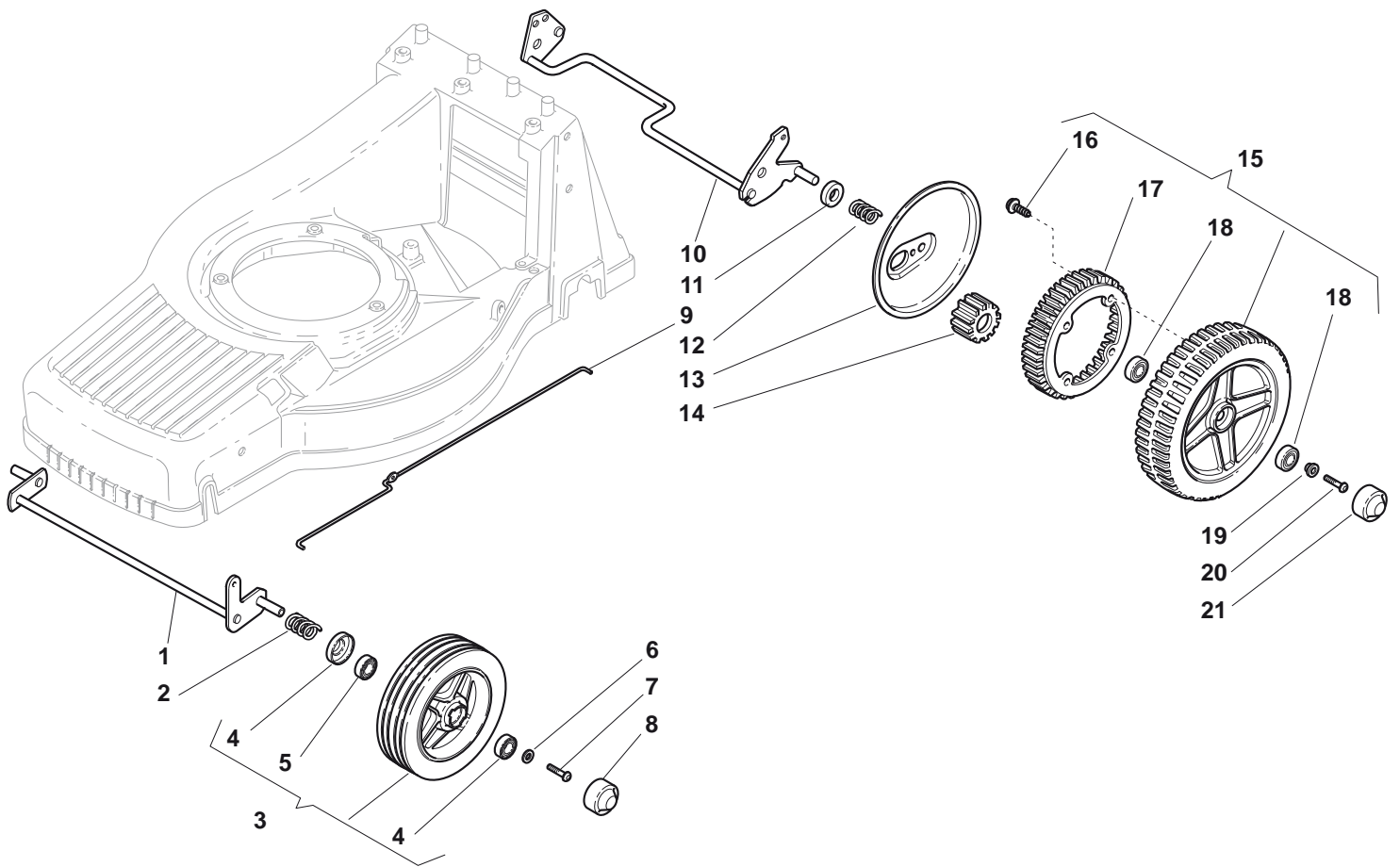


| POS | PART. NO    | Q.ty | DESCRIPTION               | DESCRIZIONE                    | DESCRIPTION                 | BESCHREIBUNG                     | REMARKS   |
|-----|-------------|------|---------------------------|--------------------------------|-----------------------------|----------------------------------|-----------|
| 1   | 112000957/0 | 2    | Snap Ring                 | Anello Elastico                | Anneau Ressort              | Sprengring                       |           |
| 2   | 112520032/0 | 2    | Washer                    | Rosetta                        | Rondelle                    | Scheibe                          |           |
| 3   | 322160520/0 | 2    | Dust Cover                | Disco Parapolvere              | Protege-Poussiere           | Staubschuttscheibe               |           |
| 5   | 122076645/0 | 2    | Key                       | Chiave                         | Clef                        | Schlüssel                        |           |
| 6   | 322170630/0 | 2    | Spacer                    | Distanziale                    | Entretoise                  | Distanzring                      |           |
| 7   | 122753002/0 | 2    | Pin                       | Perno                          | Pivot                       | Bolzen                           |           |
| 8   | 112520032/0 | 2    | Washer                    | Rosetta                        | Rondelle                    | Scheibe                          |           |
| 9   | 119035152/0 | 2    | Or Ring                   | Anello Or                      | Bague Or                    | Ring Or                          |           |
| 12  | 112620310/0 | 1    | Pin                       | Perno                          | Pivot                       | Bolzen                           |           |
| 13  | 122601913/0 | 1    | Pulley                    | Puleggia                       | Poulie                      | Riemenscheibe                    |           |
| 14  | 181003085/0 | 1    | Gear Box                  | Gruppo Trazione                | Groupe Traction             | Antrieb                          |           |
| 15  | 135064383/0 | 1    | Belt                      | Cinghia                        | Courroire                   | Riemen                           |           |
| 16  | 122601918/0 | 1    | Pulley, Crankshaft Ø 22.2 | Puleggia, Albero Motore Ø 22.2 | Poulie, Arbre Moteur Ø 22.2 | Riemenscheibe, Motorwelle Ø 22.2 | B&S - GGP |
| 16  | 122601921/0 | 1    | Pulley, Crankshaft Ø 25   | Puleggia, Albero Motore Ø 25   | Poulie, Arbre Moteur Ø 25   | Riemenscheibe, Motorwelle Ø 25   | Honda     |
| 17  | 112714312/0 | 1    | Dowel                     | Grano                          | Goupille                    | Stift                            |           |
| 18  | 122450434/0 | 1    | Spring                    | Molla                          | Ressort                     | Feder                            |           |

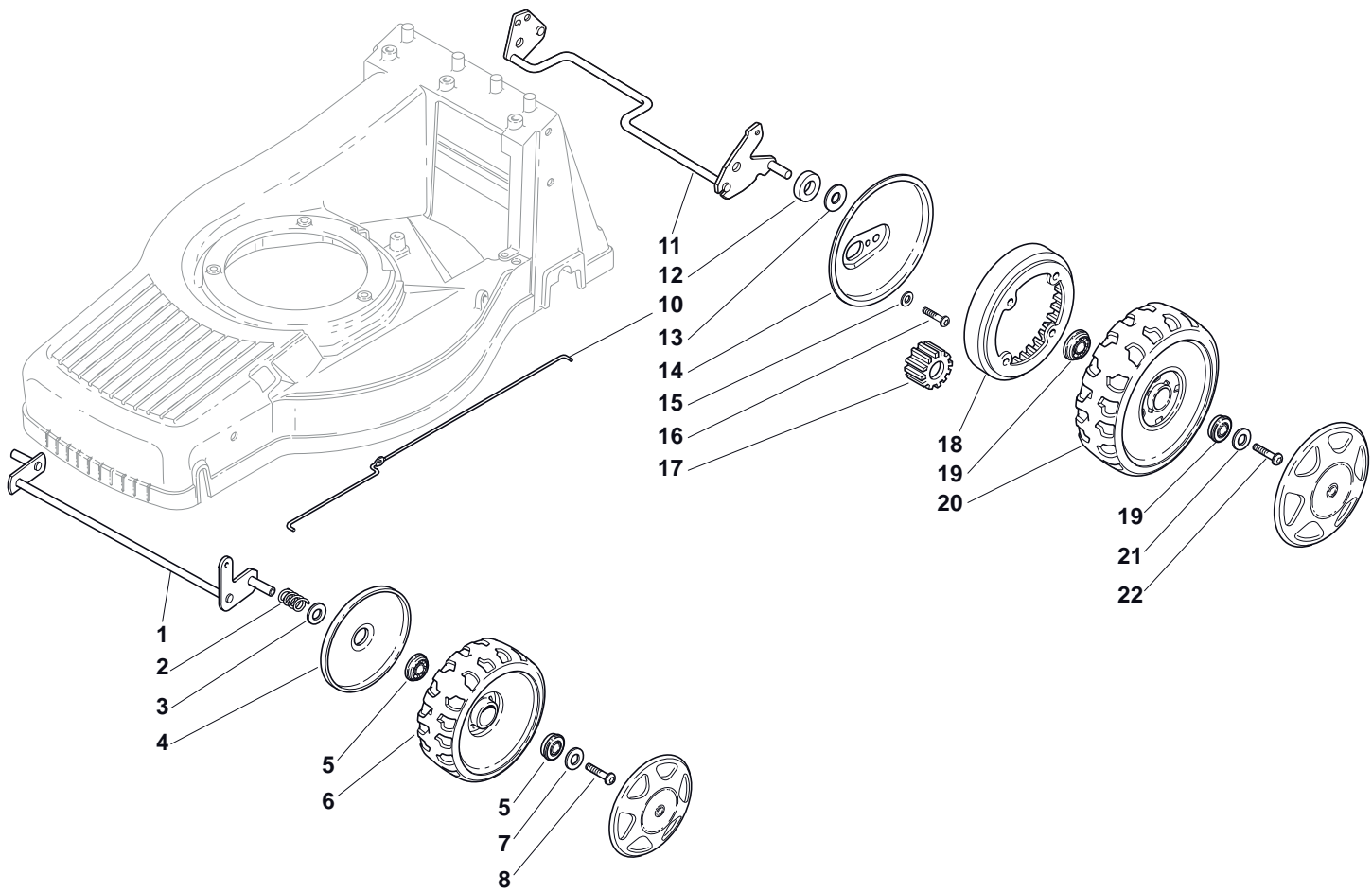




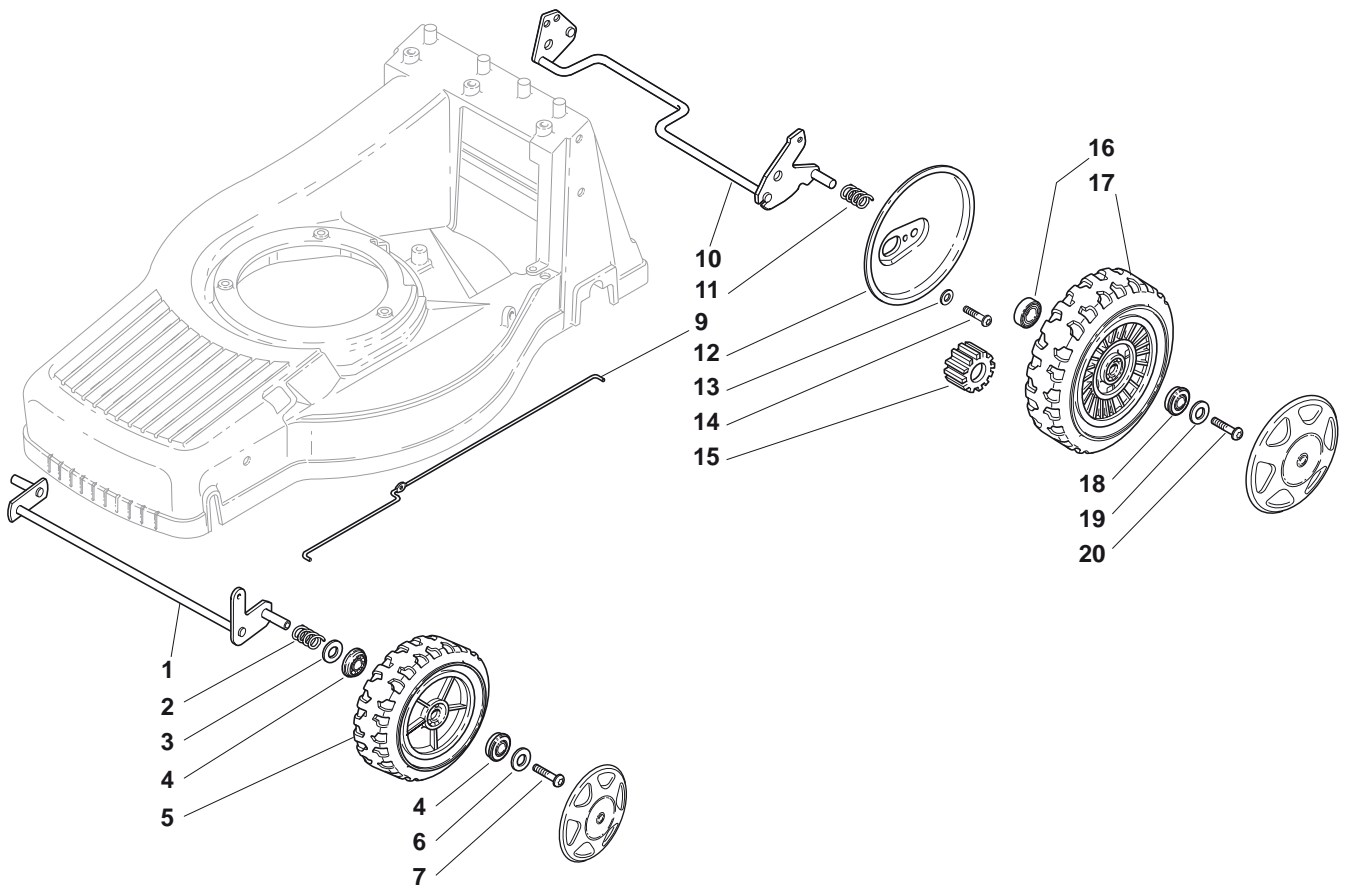
| POS | PART. NO    | Q.ty | DESCRIPTION                    | DESCRIZIONE                      | DESCRIPTION                   | BESCHREIBUNG            | REMARKS |
|-----|-------------|------|--------------------------------|----------------------------------|-------------------------------|-------------------------|---------|
| 1   | 381002825/0 | 1    | Axle, Front Wheels             | Asse Ruote Anteriori             | Axe Roues Avant               | Achse, Vorderrad        |         |
| 2   | 122430210/0 | 2    | Spring                         | Molla                            | Ressort                       | Feder                   |         |
| 3   | 381007363/0 | 2    | Wheel Ø 175                    | Ruota Ø 175                      | Roue Ø 175                    | Rad Ø 175               |         |
| 4   | 322160522/0 | 2    | Dust Cover                     | Disco Parapolvere                | Protege-Poussiere             | Staubschuttscheibe      |         |
| 5   | 119216039/0 | 4    | Bearing                        | Cuscinetto                       | Coussinet                     | Lager                   |         |
| 6   | 112521460/0 | 2    | Washer                         | Rosetta                          | Rondelle                      | Scheibe                 |         |
| 7   | 112735662/1 | 2    | Screw                          | Vite                             | Vis                           | Schraube                |         |
| 8   | 322110379/0 | 2    | Hub Cap                        | Coprizzo                         | Couvre-Moyeu                  | Radkappe                |         |
| 9   | 122033323/0 | 1    | Rod, Height Adjustment Control | Asta Comando Regolazione Altezza | Tige Commande Reglage Hauteur | Stange, Höheverstellung |         |
| 10  | 381002823/0 | 1    | Axle, Rear Wheels              | Asse Ruote Posteriore            | Axe Roues Arriere             | Achse, Hinterrad        |         |
| 11  | 122170810/0 | 2    | Spacer                         | Distanziale                      | Entretoise                    | Distanzring             |         |
| 12  | 122430215/0 | 2    | Spring                         | Molla                            | Ressort                       | Feder                   |         |
| 13  | 322600127/0 | 2    | Protection, Wheel              | Protezione Ruote                 | Protection Roue               | Schütz, Räder           |         |
| 14  | 122570126/0 | 2    | Pinion                         | Pignone                          | Pignon                        | Ritzel                  |         |
| 15  | 381007367/0 | 2    | Wheel Ø 205                    | Ruota Ø 205                      | Roue Ø 205                    | Rad Ø 205               |         |
| 15  | 381007368/0 | 2    | Wheel Ø 215                    | Ruota Ø 215                      | Roue Ø 215                    | Rad Ø 215               |         |
| 16  | 112728210/0 | 8    | Screw                          | Vite                             | Vis                           | Schraube                |         |
| 17  | 322120108/0 | 2    | Ring Gear                      | Corona                           | Couronne                      | Kranz                   |         |
| 18  | 119216038/0 | 4    | Bearing                        | Cuscinetto                       | Coussinet                     | Lager                   |         |
| 19  | 122671655/0 | 2    | Washer                         | Rosetta                          | Rondelle                      | Scheibe                 |         |
| 20  | 112735592/0 | 2    | Screw                          | Vite                             | Vis                           | Schraube                |         |
| 21  | 322110380/0 | 2    | Hub Cap                        | Coprizzo                         | Couvre-Moyeu                  | Radkappe                |         |



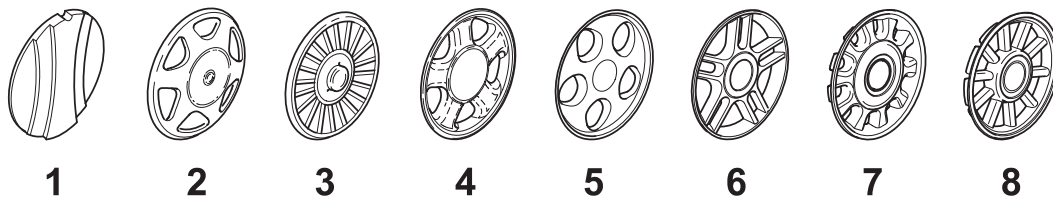
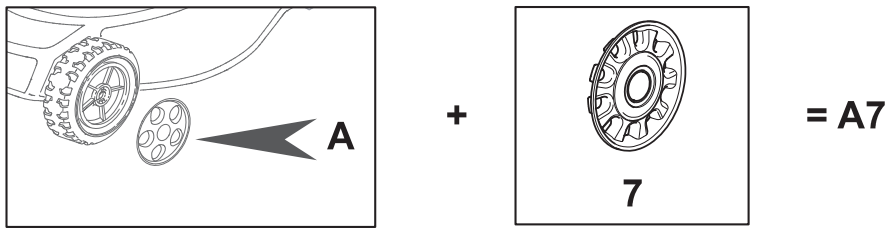
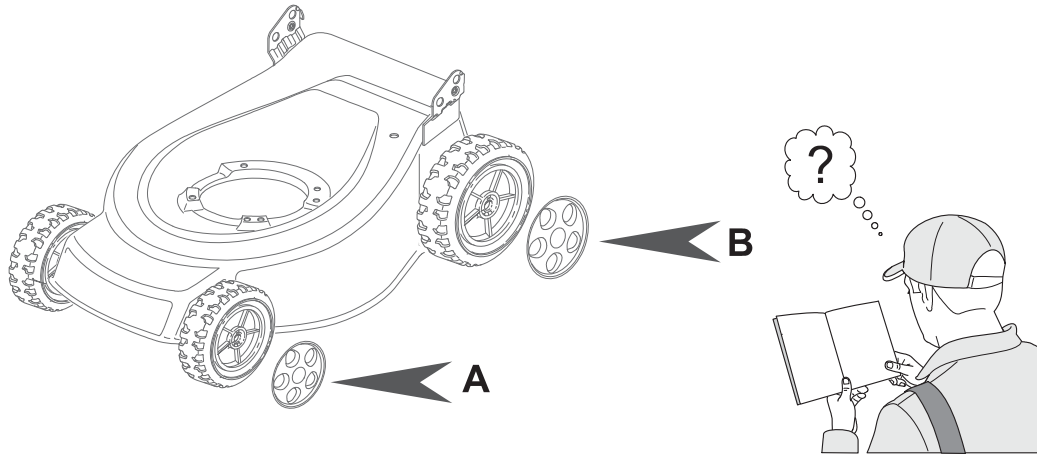
| POS | PART. NO    | Q.ty | DESCRIPTION                    | DESCRIZIONE                      | DESCRIPTION                   | BESCHREIBUNG            | REMARKS |
|-----|-------------|------|--------------------------------|----------------------------------|-------------------------------|-------------------------|---------|
| 1   | 381002825/0 | 1    | Axle, Front Wheels             | Asse Ruote Anteriori             | Axe Roues Avant               | Achse, Vorderrad        |         |
| 2   | 122430210/0 | 2    | Spring                         | Molla                            | Ressort                       | Feder                   |         |
| 3   | 381007364/0 | 2    | Wheel Ø 190                    | Ruota Ø 190                      | Roue Ø190                     | Rad Ø 190               |         |
| 4   | 322160522/0 | 2    | Dust Cover                     | Disco Parapolvere                | Protege-Poussiere             | Staubschuttscheibe      |         |
| 5   | 119216039/0 | 4    | Bearing                        | Cuscinetto                       | Coussinet                     | Lager                   |         |
| 6   | 112521460/0 | 2    | Washer                         | Rosetta                          | Rondelle                      | Scheibe                 |         |
| 7   | 112735662/1 | 2    | Screw                          | Vite                             | Vis                           | Schraube                |         |
| 8   | 322110379/0 | 2    | Hub Cap                        | Coprizzo                         | Couvre-Moyeu                  | Radkappe                |         |
| 9   | 122033324/0 | 1    | Rod, Height Adjustment Control | Asta Comando Regolazione Altezza | Tige Commande Reglage Hauteur | Stange, Höheverstellung |         |
| 10  | 381002823/0 | 1    | Axle, Rear Wheels              | Asse Ruote Posteriore            | Axe Roues Arriere             | Achse, Hinterrad        |         |
| 11  | 122170810/0 | 2    | Spacer                         | Distanziale                      | Entretoise                    | Distanzring             |         |
| 12  | 122430215/0 | 2    | Spring                         | Molla                            | Ressort                       | Feder                   |         |
| 13  | 322600127/0 | 2    | Protection, Wheel              | Protezione Ruote                 | Protection Roue               | Schütz, Räder           |         |
| 14  | 122570126/0 | 2    | Pinion                         | Pignone                          | Pignon                        | Ritzel                  |         |
| 15  | 381007367/0 | 2    | Wheel Ø 205                    | Ruota Ø 205                      | Roue Ø 205                    | Rad Ø 205               |         |
| 15  | 381007368/0 | 2    | Wheel Ø 215                    | Ruota Ø 215                      | Roue Ø 215                    | Rad Ø 215               |         |
| 16  | 112728210/0 | 8    | Screw                          | Vite                             | Vis                           | Schraube                |         |
| 17  | 322120108/0 | 2    | Ring Gear                      | Corona                           | Couronne                      | Kranz                   |         |
| 18  | 119216038/0 | 4    | Bearing                        | Cuscinetto                       | Coussinet                     | Lager                   |         |
| 19  | 122671655/0 | 2    | Washer                         | Rosetta                          | Rondelle                      | Scheibe                 |         |
| 20  | 112735592/0 | 2    | Screw                          | Vite                             | Vis                           | Schraube                |         |
| 21  | 322110380/0 | 2    | Hub Cap                        | Coprizzo                         | Couvre-Moyeu                  | Radkappe                |         |



| POS | PART. NO    | Q.ty | DESCRIPTION                    | DESCRIZIONE                      | DESCRIPTION                   | BESCHREIBUNG            | REMARKS |
|-----|-------------|------|--------------------------------|----------------------------------|-------------------------------|-------------------------|---------|
| 1   | 381002843/0 | 1    | Axle, Front Wheels             | Asse Ruote Anteriori             | Axe Roues Avant               | Achse, Vorderrad        |         |
| 2   | 122430215/0 | 2    | Spring                         | Molla                            | Ressort                       | Feder                   |         |
| 3   | 112521370/0 | 2    | Washer                         | Rosetta                          | Rondelle                      | Scheibe                 |         |
| 4   | 322600095/0 | 2    | Protection, Wheel              | Protezione Ruote                 | Protection Roue               | Schütz, Räder           |         |
| 5   | 122122200/0 | 4    | Bearing                        | Cuscinetto                       | Coussinet                     | Lager                   |         |
| 6   | 322686091/1 | 2    | Wheel Ø 165                    | Ruota Ø 165                      | Roue Ø 165                    | Rad Ø 165               |         |
| 7   | 112521460/0 | 2    | Washer                         | Rosetta                          | Rondelle                      | Scheibe                 |         |
| 8   | 112735662/0 | 2    | Screw                          | Vite                             | Vis                           | Schraube                |         |
| 10  | 122033321/0 | 1    | Rod, Height Adjustment Control | Asta Comando Regolazione Altezza | Tige Commande Reglage Hauteur | Stange, Höheverstellung |         |
| 11  | 381002841/0 | 1    | Axle, Rear Wheels              | Asse Ruote Posteriore            | Axe Roues Arriere             | Achse, Hinterrad        |         |
| 12  | 122170815/0 | 2    | Spacer                         | Distanziale                      | Entretoise                    | Distanzring             |         |
| 13  | 122675100/0 | 2    | Washer                         | Rosetta                          | Rondelle                      | Scheibe                 |         |
| 14  | 322600121/0 | 2    | Protection, Wheel              | Protezione Ruote                 | Protection Roue               | Schütz, Räder           |         |
| 15  | 112521460/0 | 2    | Washer                         | Rosetta                          | Rondelle                      | Scheibe                 |         |
| 16  | 112735662/0 | 2    | Screw                          | Vite                             | Vis                           | Schraube                |         |
| 17  | 122570125/0 | 2    | Pinion                         | Pignone                          | Pignon                        | Ritzel                  |         |
| 18  | 322120109/0 | 2    | Ring Gear                      | Corona                           | Couronne                      | Kranz                   |         |
| 19  | 122122200/0 | 4    | Bearing                        | Cuscinetto                       | Coussinet                     | Lager                   |         |
| 20  | 322686093/0 | 2    | Wheel Ø 190                    | Ruota Ø 190                      | Roue Ø190                     | Rad Ø 190               |         |
| 21  | 112521460/0 | 2    | Washer                         | Rosetta                          | Rondelle                      | Scheibe                 |         |
| 22  | 112735662/0 | 2    | Screw                          | Vite                             | Vis                           | Schraube                |         |

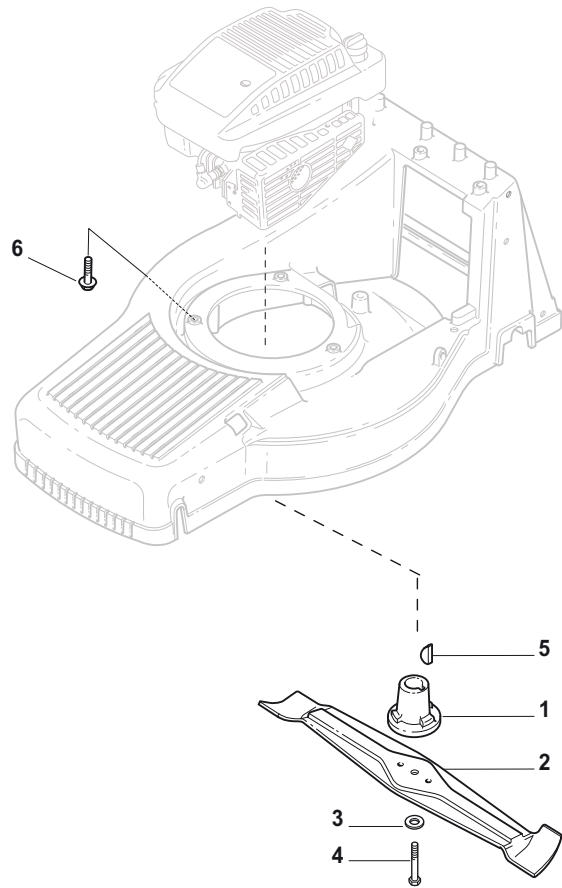


| POS | PART. NO    | Q.ty | DESCRIPTION                    | DESCRIZIONE                      | DESCRIPTION                   | BESCHREIBUNG            | REMARKS |
|-----|-------------|------|--------------------------------|----------------------------------|-------------------------------|-------------------------|---------|
| 1   | 381002847/0 | 1    | Axle, Front Wheels             | Asse Ruote Anteriori             | Axe Roues Avant               | Achse, Vorderrad        |         |
| 2   | 122430210/0 | 2    | Spring                         | Molla                            | Ressort                       | Feder                   |         |
| 3   | 112521370/0 | 2    | Washer                         | Rosetta                          | Rondelle                      | Scheibe                 |         |
| 4   | 122122200/0 | 4    | Bearing                        | Cuscinetto                       | Coussinet                     | Lager                   |         |
| 5   | 381007351/0 | 2    | Wheel Ø 170                    | Ruota Ø 170                      | Roue Ø 170                    | Rad Ø 170               |         |
| 6   | 112521460/0 | 2    | Washer                         | Rosetta                          | Rondelle                      | Scheibe                 |         |
| 7   | 112735662/1 | 2    | Screw                          | Vite                             | Vis                           | Schraube                |         |
| 9   | 122033323/0 | 1    | Rod, Height Adjustment Control | Asta Comando Regolazione Altezza | Tige Commande Reglage Hauteur | Stange, Höheverstellung |         |
| 10  | 381002823/0 | 1    | Axle, Rear Wheels              | Asse Ruote Posteriore            | Axe Roues Arriere             | Achse, Hinterrad        |         |
| 11  | 122430215/0 | 2    | Spring                         | Molla                            | Ressort                       | Feder                   |         |
| 12  | 322600121/0 | 2    | Protection, Wheel              | Protezione Ruote                 | Protection Roue               | Schütz, Räder           |         |
| 13  | 112521460/0 | 2    | Washer                         | Rosetta                          | Rondelle                      | Scheibe                 |         |
| 14  | 112735662/1 | 2    | Screw                          | Vite                             | Vis                           | Schraube                |         |
| 15  | 122570125/0 | 2    | Pinion                         | Pignone                          | Pignon                        | Ritzel                  |         |
| 16  | 119216038/0 | 2    | Bearing                        | Cuscinetto                       | Coussinet                     | Lager                   |         |
| 17  | 381007361/0 | 2    | Wheel Ø 190                    | Ruota Ø 190                      | Roue Ø190                     | Rad Ø 190               |         |
| 17  | 381007362/0 | 2    | Wheel Ø 215                    | Ruota Ø 215                      | Roue Ø 215                    | Rad Ø 215               |         |
| 18  | 122122201/0 | 2    | Bearing                        | Cuscinetto                       | Coussinet                     | Lager                   |         |
| 19  | 112521460/0 | 2    | Washer                         | Rosetta                          | Rondelle                      | Scheibe                 |         |
| 20  | 112735662/1 | 2    | Screw                          | Vite                             | Vis                           | Schraube                |         |

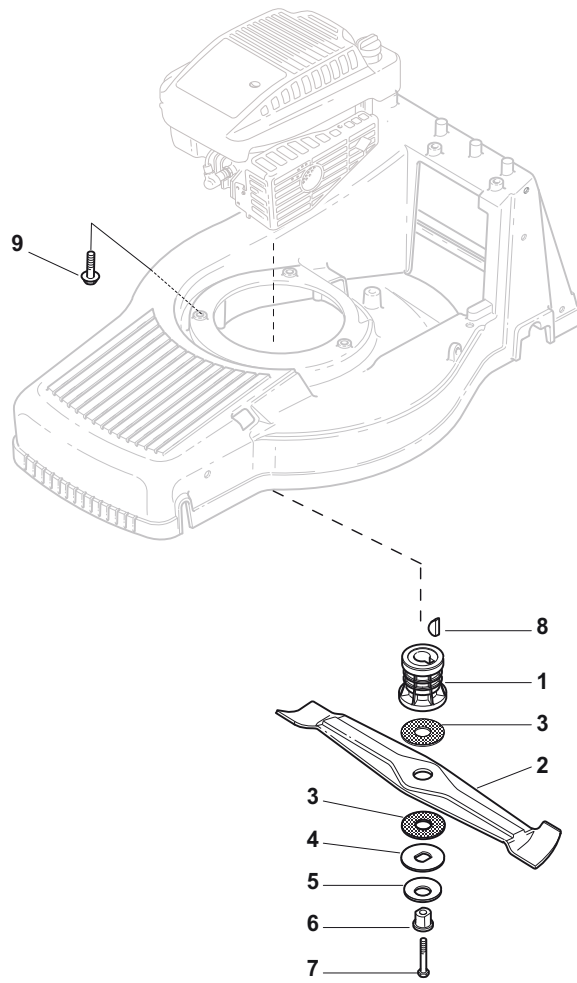




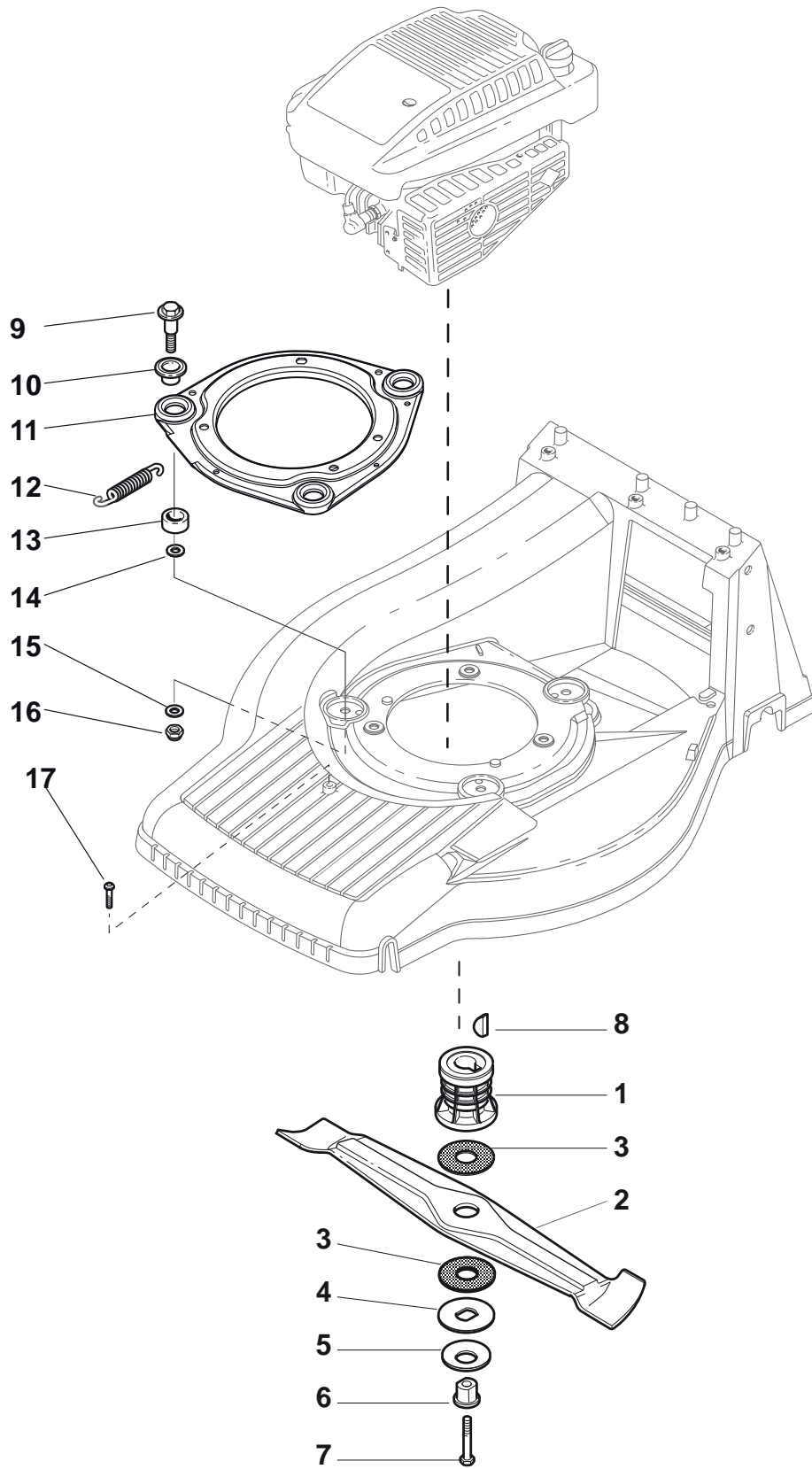
| POS | PART. NO    | Q.ty | DESCRIPTION    | DESCRIZIONE      | DESCRIPTION        | BESCHREIBUNG  | REMARKS |
|-----|-------------|------|----------------|------------------|--------------------|---------------|---------|
| A1  | 322110252/1 | 2    | Hub Cap White  | Coprimito Bianco | Couvre-Moyeu Blanc | Radkappe Weiß |         |
| B1  | 322110251/0 | 2    | Hub Cap White  | Coprimito Bianco | Couvre-Moyeu Blanc | Radkappe Weiß |         |
| A1  | 322110254/0 | 2    | Hub Cap Yellow | Coprimito Giallo | Couvre-Moyeu Jaune | Radkappe Gelb |         |
| B1  | 322110253/0 | 2    | Hub Cap Yellow | Coprimito Giallo | Couvre-Moyeu Jaune | Radkappe Gelb |         |
| A1  | 122110255/1 | 2    | Hub Cap Red    | Coprimito Rosso  | Couvre-Moyeu Rouge | Radkappe Rot  |         |
| B1  | 322110255/1 | 2    | Hub Cap Red    | Coprimito Rosso  | Couvre-Moyeu Rouge | Radkappe Rot  |         |
| B2  | 322110313/0 | 2    | Hub Cap White  | Coprimito Bianco | Couvre-Moyeu Blanc | Radkappe Weiß |         |
| B2  | 322110314/0 | 2    | Hub Cap Grey   | Coprimito Grigio | Couvre-Moyeu Gris  | Radkappe Grau |         |
| A2  | 322110344/0 | 2    | Hub Cap White  | Coprimito Bianco | Couvre-Moyeu Blanc | Radkappe Weiß |         |
| A2  | 322110395/0 | 2    | Hub Cap Grey   | Coprimito Grigio | Couvre-Moyeu Gris  | Radkappe Grau |         |
| A3  | 322110347/0 | 2    | Hub Cap Grey   | Coprimito Grigio | Couvre-Moyeu Gris  | Radkappe Grau |         |
| B3  | 322110348/0 | 2    | Hub Cap Grey   | Coprimito Grigio | Couvre-Moyeu Gris  | Radkappe Grau |         |
| A4  | 322110381/0 | 2    | Hub Cap Grey   | Coprimito Grigio | Couvre-Moyeu Gris  | Radkappe Grau |         |
| B4  | 322110382/0 | 2    | Hub Cap Grey   | Coprimito Grigio | Couvre-Moyeu Gris  | Radkappe Grau |         |
| A5  | 322110416/0 | 2    | Hub Cap Grey   | Coprimito Grigio | Couvre-Moyeu Gris  | Radkappe Grau |         |
| B5  | 322110417/0 | 2    | Hub Cap Grey   | Coprimito Grigio | Couvre-Moyeu Gris  | Radkappe Grau |         |
| A6  | 322110491/0 | 2    | Hub Cap Grey   | Coprimito Grigio | Couvre-Moyeu Gris  | Radkappe Grau |         |
| B6  | 322110492/0 | 2    | Hub Cap Grey   | Coprimito Grigio | Couvre-Moyeu Gris  | Radkappe Grau |         |
| A7  | 322110493/0 | 2    | Hub Cap Grey   | Coprimito Grigio | Couvre-Moyeu Gris  | Radkappe Grau |         |
| B7  | 322110494/0 | 2    | Hub Cap Grey   | Coprimito Grigio | Couvre-Moyeu Gris  | Radkappe Grau |         |
| A8  | 322110495/0 | 2    | Hub Cap Grey   | Coprimito Grigio | Couvre-Moyeu Gris  | Radkappe Grau |         |
| B8  | 322110496/0 | 2    | Hub Cap Grey   | Coprimito Grigio | Couvre-Moyeu Gris  | Radkappe Grau |         |



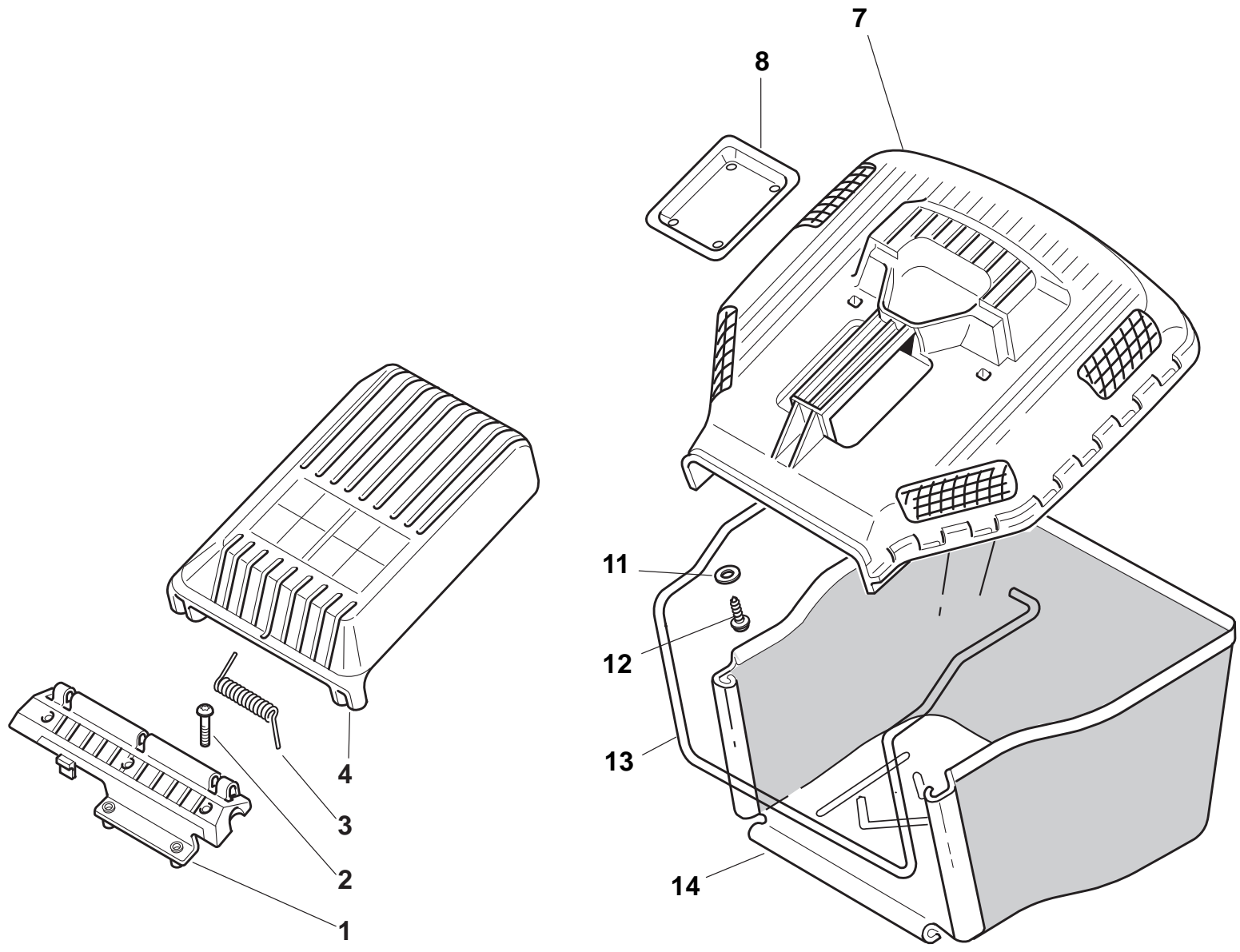
| POS | PART. NO    | Q.ty | DESCRIPTION                | DESCRIZIONE                     | DESCRIPTION                   | BESCHREIBUNG            | REMARKS |
|-----|-------------|------|----------------------------|---------------------------------|-------------------------------|-------------------------|---------|
| 1   | 122465618/0 | 1    | Hub, Crankshaft Ø 22.2     | Mozzo, Albero Motore Ø 22.2     | Moyeu, Arbre Moteur Ø 22.2    | Nabe, Motorwelle Ø 22.2 | B&S-GGP |
| 1   | 122465630/0 | 1    | Hub, Crankshaft Ø 25       | Mozzo, Albero Motore Ø 25       | Moyeu, Arbre Moteur Ø 25      | Nabe, Motorwelle Ø 25   | Honda   |
| 2   | 181004144/0 | 1    | Blade Winged               | Coltello Alettato               | Lame Ailetée                  | Messer Flügel           |         |
| 3   | 112530140/0 | 1    | Washer                     | Rosetta                         | Rondelle                      | Scheibe                 |         |
| 4   | 112735698/0 | 1    | Screw                      | Vite                            | Vis                           | Schraube                |         |
| 5   | 112139100/0 | 1    | Feather, Crankshaft Ø 22.2 | Linguetta, Albero Motore Ø 22.2 | Clavette, Arbre Moteur Ø 22.2 | Keil, Motorwelle Ø 22.2 | B&S-GGP |
| 5   | 112139150/0 | 1    | Feather, Crankshaft Ø 25   | Linguetta, Albero Motore Ø 25   | Clavette, Arbre Moteur Ø 25   | Keil, Motorwelle Ø 25   | Honda   |
| 6   | 112735108/1 | 3    | Screw                      | Vite                            | Vis                           | Schraube                |         |



| POS | PART. NO    | Q.ty | DESCRIPTION                           | DESCRIZIONE                                 | DESCRIPTION                               | BESCHREIBUNG                           | REMARKS     |
|-----|-------------|------|---------------------------------------|---|---|--|-------------|
| 1   | 122465619/0 | 1    | Hub With Pulley,<br>Crankshaft Ø 22.2 | Mozzo Con Puleggia,<br>Albero Motore Ø 22.2 | Moyeu Avec Poulie, Arbre<br>Moteur Ø 22.2 | Nabe Mit Scheibe,<br>Motorwelle Ø 22.2 | B&S-GGP     |
| 1   | 122465631/0 | 1    | Hub With Pulley,<br>Crankshaft Ø 25   | Mozzo Con Puleggia,<br>Albero Motore Ø 25   | Moyeu Avec Poulie, Arbre<br>Moteur Ø 25   | Nabe Mit Scheibe,<br>Motorwelle Ø 25   | Honda       |
| 1   | 122465636/0 | 1    | Hub With Pulley,<br>Crankshaft Ø 22.2 | Mozzo Con Puleggia,<br>Albero Motore Ø 22.2 | Moyeu Avec Poulie, Arbre<br>Moteur Ø 22.2 | Nabe Mit Scheibe,<br>Motorwelle Ø 22.2 | B&S-GGP AVS |
| 1   | 122465637/0 | 1    | Hub With Pulley,<br>Crankshaft Ø 25   | Mozzo Con Puleggia,<br>Albero Motore Ø 25   | Moyeu Avec Poulie, Arbre<br>Moteur Ø 25   | Nabe Mit Scheibe,<br>Motorwelle Ø 25   | Honda AVS   |
| 2   | 181004134/0 | 1    | Blade Winged                          | Coltello Alettato                           | Lame Ailette                              | Messer Flügel                          |             |
| 3   | 322672111/0 | 2    | Clutch Washer                         | Rondella Frizione                           | Rondelle Friction                         | Kupplungscheibe                        |             |
| 4   | 322672105/0 | 1    | Washer                                | Rosetta                                     | Rondelle                                  | Scheibe                                |             |
| 5   | 112508120/0 | 1    | Cupped Spring                         | Molla A Tazza                               | Ressort                                   | Teller Feder                           |             |
| 6   | 122041940/0 | 1    | Clutch Bush                           | Bussola Frizione                            | Douille Friction                          | Kupplungsscheibe                       |             |
| 7   | 112736825/0 | 1    | Screw                                 | Vite  | Vis                                       | Schraube                               | AVS         |
| 7   | 112736850/0 | 1    | Screw                                 | Vite  | Vis                                       | Schraube                               |             |
| 8   | 112139100/0 | 1    | Feather, Crankshaft Ø 22.2            | Linguetta, Albero Motore<br>Ø 22.2          | Clavette, Arbre Moteur Ø 22.2             | Keil, Motorwelle Ø 22.2                | B&S-GGP     |
| 8   | 112139150/0 | 1    | Feather, Crankshaft Ø 25              | Linguetta, Albero Motore<br>Ø 25            | Clavette, Arbre Moteur Ø 25               | Keil, Motorwelle Ø 25                  | Honda       |
| 9   | 112735108/1 | 3    | Screw                                 | Vite  | Vis                                       | Schraube                               |             |

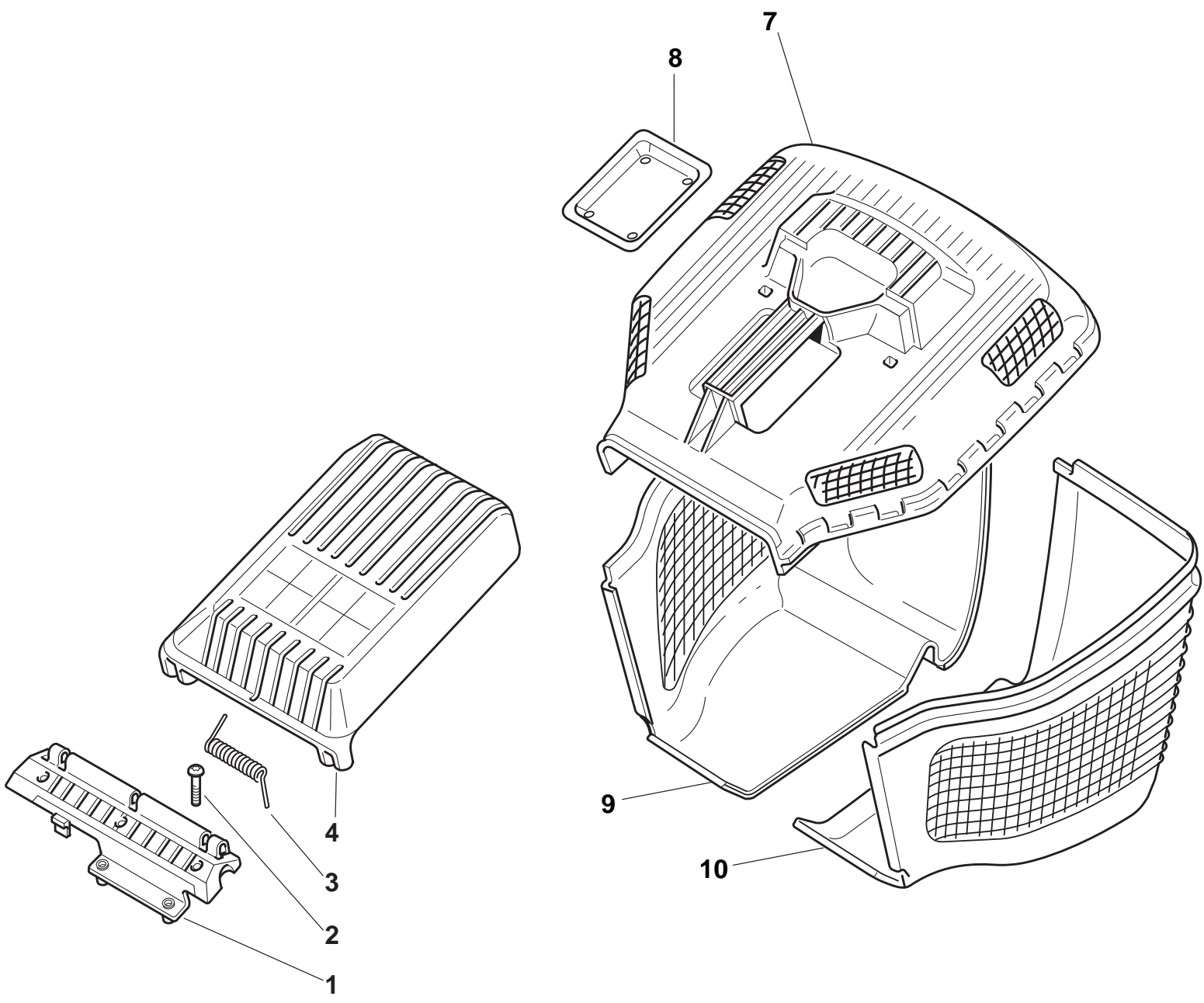


| POS | PART. NO    | Q.ty | DESCRIPTION                           | DESCRIZIONE                                 | DESCRIPTION                               | BESCHREIBUNG                           | REMARKS     |
|-----|-------------|------|---------------------------------------|---|---|--|-------------|
| 1   | 122465619/0 | 1    | Hub With Pulley,<br>Crankshaft Ø 22.2 | Mozzo Con Puleggia,<br>Albero Motore Ø 22.2 | Moyeu Avec Poulie, Arbre<br>Moteur Ø 22.2 | Nabe Mit Scheibe,<br>Motorwelle Ø 22.2 | B&S-GGP     |
| 1   | 122465631/0 | 1    | Hub With Pulley,<br>Crankshaft Ø 25   | Mozzo Con Puleggia,<br>Albero Motore Ø 25   | Moyeu Avec Poulie, Arbre<br>Moteur Ø 25   | Nabe Mit Scheibe,<br>Motorwelle Ø 25   | Honda       |
| 1   | 122465636/0 | 1    | Hub With Pulley,<br>Crankshaft Ø 22.2 | Mozzo Con Puleggia,<br>Albero Motore Ø 22.2 | Moyeu Avec Poulie, Arbre<br>Moteur Ø 22.2 | Nabe Mit Scheibe,<br>Motorwelle Ø 22.2 | B&S-GGP AVS |
| 1   | 122465637/0 | 1    | Hub With Pulley,<br>Crankshaft Ø 25   | Mozzo Con Puleggia,<br>Albero Motore Ø 25   | Moyeu Avec Poulie, Arbre<br>Moteur Ø 25   | Nabe Mit Scheibe,<br>Motorwelle Ø 25   | Honda AVS   |
| 2   | 181004134/0 | 1    | Blade Winged                          | Coltello Alettato                           | Lame Ailette                              | Messer Flügel                          |             |
| 3   | 322672111/0 | 2    | Clutch Washer                         | Rondella Frizione                           | Rondelle Friction                         | Kupplungscheibe                        |             |
| 4   | 322672105/0 | 1    | Washer                                | Rosetta                                     | Rondelle                                  | Scheibe                                |             |
| 5   | 112508120/0 | 1    | Cupped Spring                         | Molla A Tazza                               | Ressort                                   | Teller Feder                           |             |
| 6   | 122041940/0 | 1    | Clutch Bush                           | Bussola Frizione                            | Douille Friction                          | Kupplungsscheibe                       |             |
| 7   | 112736825/0 | 1    | Screw                                 | Vite  | Vis                                       | Schraube                               | AVS         |
| 7   | 112736850/0 | 1    | Screw                                 | Vite  | Vis                                       | Schraube                               |             |
| 8   | 112139100/0 | 1    | Feather, Crankshaft Ø<br>22.2         | Linguetta, Albero Motore<br>Ø 22.2          | Clavette, Arbre Moteur Ø<br>22.2          | Keil, Motorwelle Ø 22.2                | B&S-GGP     |
| 8   | 112139150/0 | 1    | Feather, Crankshaft Ø 25              | Linguetta, Albero Motore<br>Ø 25            | Clavette, Arbre Moteur Ø<br>25            | Keil, Motorwelle Ø 25                  | Honda       |
| 9   | 122524329/0 | 3    | Pin                                   | Perno                                       | Pivot                                     | Bolzen                                 |             |
| 10  | 322672201/0 | 3    | Washer                                | Rosetta                                     | Rondelle                                  | Scheibe                                |             |
| 11  | 322207225/0 | 1    | Flange, Black                         | Flangia, Nero                               | Bride, Noir                               | Flansch, Schwarz                       |             |
| 12  | 122450445/0 | 1    | Spring                                | Molla                                       | Ressort                                   | Feder                                  |             |
| 13  | 322250012/0 | 3    | Grommet                               | Gommino                                     | Caoutchouc                                | Gummi                                  |             |
| 14  | 122671651/0 | 3    | Washer                                | Rosetta                                     | Rondelle                                  | Scheibe                                |             |
| 15  | 112523060/0 | 3    | Washer                                | Rosetta                                     | Rondelle                                  | Scheibe                                |             |
| 16  | 112155000/0 | 3    | Nut                                   | Dado  | Ecrou                                     | Mutter                                 |             |
| 17  | 112735661/0 | 1    | Screw                                 | Vite  | Vis                                       | Schraube                               |             |





| POS | PART. NO    | Q.ty | DESCRIPTION           | DESCRIZIONE       | DESCRIPTION            | BESCHREIBUNG        | REMARKS |
|-----|-------------|------|-----------------------|-------------------|------------------------|---------------------|---------|
| 1   | 322785157/0 | 1    | Support, Yellow       | Supporto, Giallo  | Support, Jaune         | Halter, Gelb        |         |
| 1   | 322785179/0 | 1    | Support, Black        | Supporto, Nero    | Support, Noir          | Halter, Schwarz     |         |
| 2   | 112735664/0 | 3    | Screw                 | Vite              | Vis                    | Schraube            |         |
| 3   | 122450430/0 | 1    | Spring                | Molla             | Ressort                | Feder               |         |
| 4   | 322600068/2 | 1    | Stone-Guard, Black    | Parasassi, Nero   | Pare-Pierres, Noir     | Prallblech, Schwarz |         |
| 4   | 322600069/2 | 1    | Stone-Guard, Yellow   | Parasassi, Giallo | Pare-Pierres, Jaune    | Prallblech, Gelb    |         |
| 7   | 322486095/0 | 1    | Grass-Box, Upper Part | Sacco, Parte Sup  | Sac, Partie Superieure | Korb, Oberteil      |         |
| 8   | 322486098/0 | 1    | Plate                 | Piastrina         | Plaquette              | Plättchen           |         |
| 11  | 112521460/0 | 2    | Washer                | Rosetta           | Rondelle               | Scheibe             |         |
| 12  | 112728300/0 | 2    | Screw                 | Vite              | Vis                    | Schraube            |         |
| 13  | 122608528/0 | 1    | Stiffening Lower      | Rinforzo Inf      | Réinforcement Inf      | Verstärkung Untere  |         |
| 14  | 181002235/0 | 1    | Box, Fabric           | Sacco, Tela       | Sac, Toile             | Sack, Tuck          |         |



| POS | PART. NO    | Q.ty | DESCRIPTION           | DESCRIZIONE         | DESCRIPTION              | BESCHREIBUNG      | REMARKS |
|-----|-------------|------|-----------------------|---------------------|--------------------------|-------------------|---------|
| 1   | 322785157/0 | 1    | Support, Yellow       | Supporto, Giallo    | Support, Jaune           | Halter, Gelb      |         |
| 1   | 322785179/0 | 1    | Support, Black        | Supporto, Nero      | Support, Noir            | Halter, Schwarz   |         |
| 2   | 112735664/0 | 3    | Screw                 | Vite                | Vis                      | Schraube          |         |
| 3   | 122450430/0 | 1    | Spring                | Molla               | Ressort                  | Feder             |         |
| 4   | 322600068/2 | 1    | Stone-Guard           | Parasassi           | Pare-Pierres             | Prallblech        |         |
| 4   | 322600069/2 | 1    | Stone-Guard           | Parasassi           | Pare-Pierres             | Prallblech        |         |
| 7   | 322486095/0 | 1    | Grass-Box, Upper Part | Sacco, Parte Sup    | Sac, Partie Superieure   | Korb, Oberteil    |         |
| 8   | 322486098/0 | 1    | Plate                 | Piastrina           | Plaquette                | Plättchen         |         |
| 9   | 322486099/0 | 1    | Grass-Box, R Lower    | Sacco, Parte Inf Dx | Sac, Partie Inferieure D | Korb, R Unterteil |         |
| 10  | 322486100/0 | 1    | Grass-Box, L Lower    | Sacco, Parte Inf Sx | Sac, Partie Inferieure G | Korb, L Unterteil |         |