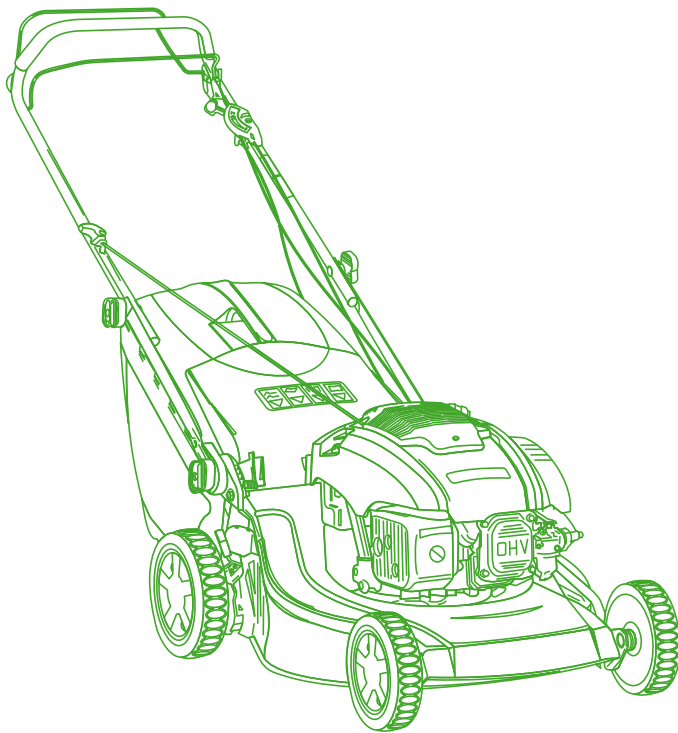


ILLUSTRATED PARTS LIST

DML 554 W TR 4S

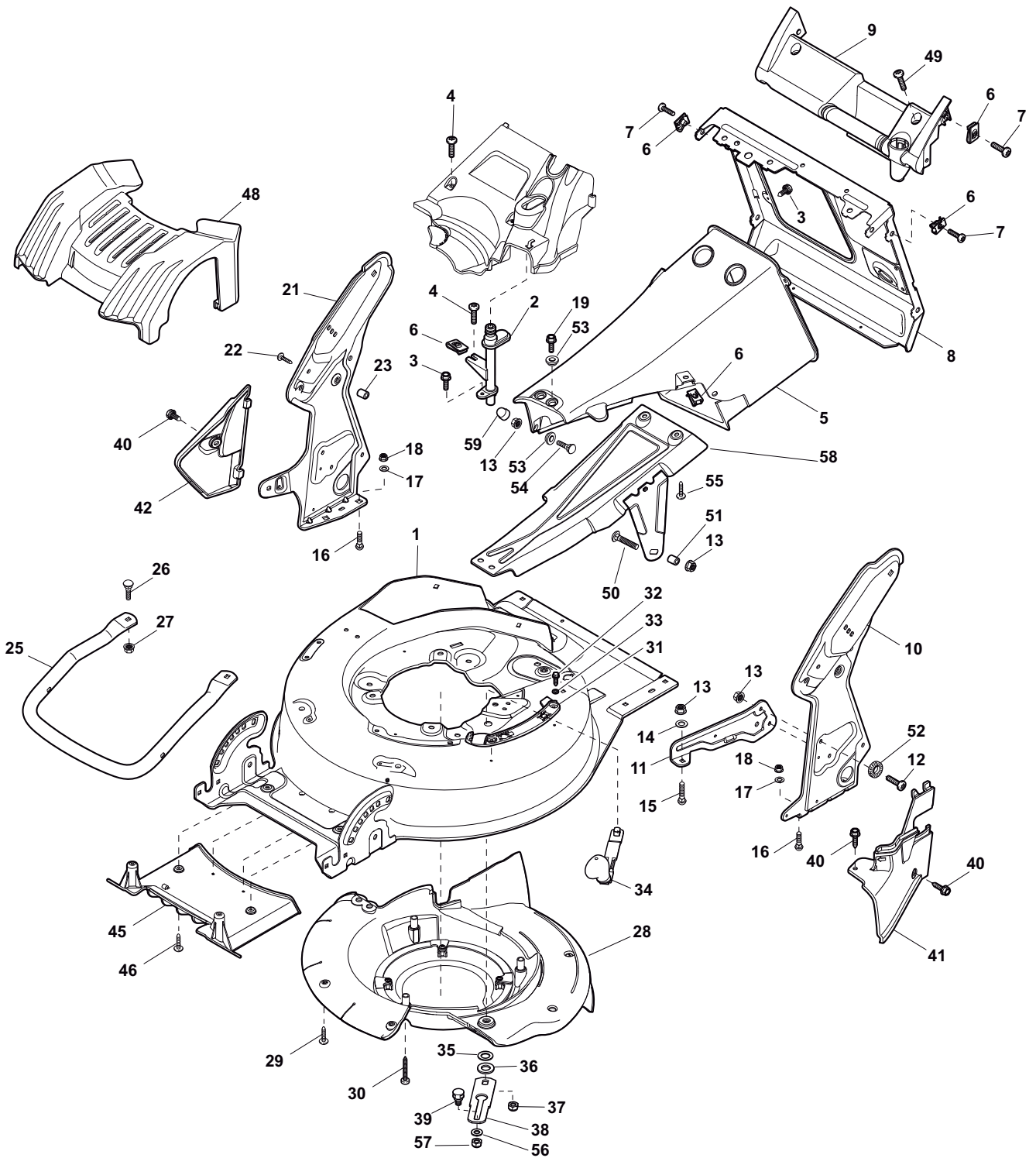


- Use GLOBAL GARDEN PRODUCT Genuine Spare Parts specified in the parts list for repair and/or replacement.
- The contents described in the parts list may change due to improvement.
- The drawings of the spare parts are only indicative and might not represent the part in question exactly.
- The indications "right" - "left" - "front" - "rear" refer to the position of the operator when using the machine.
- When placing orders of parts for repair and/or replacement, make sure that the illustrated parts list is the one applying to the machine's year of manufacture, as shown on the identification plate attached to the machine.

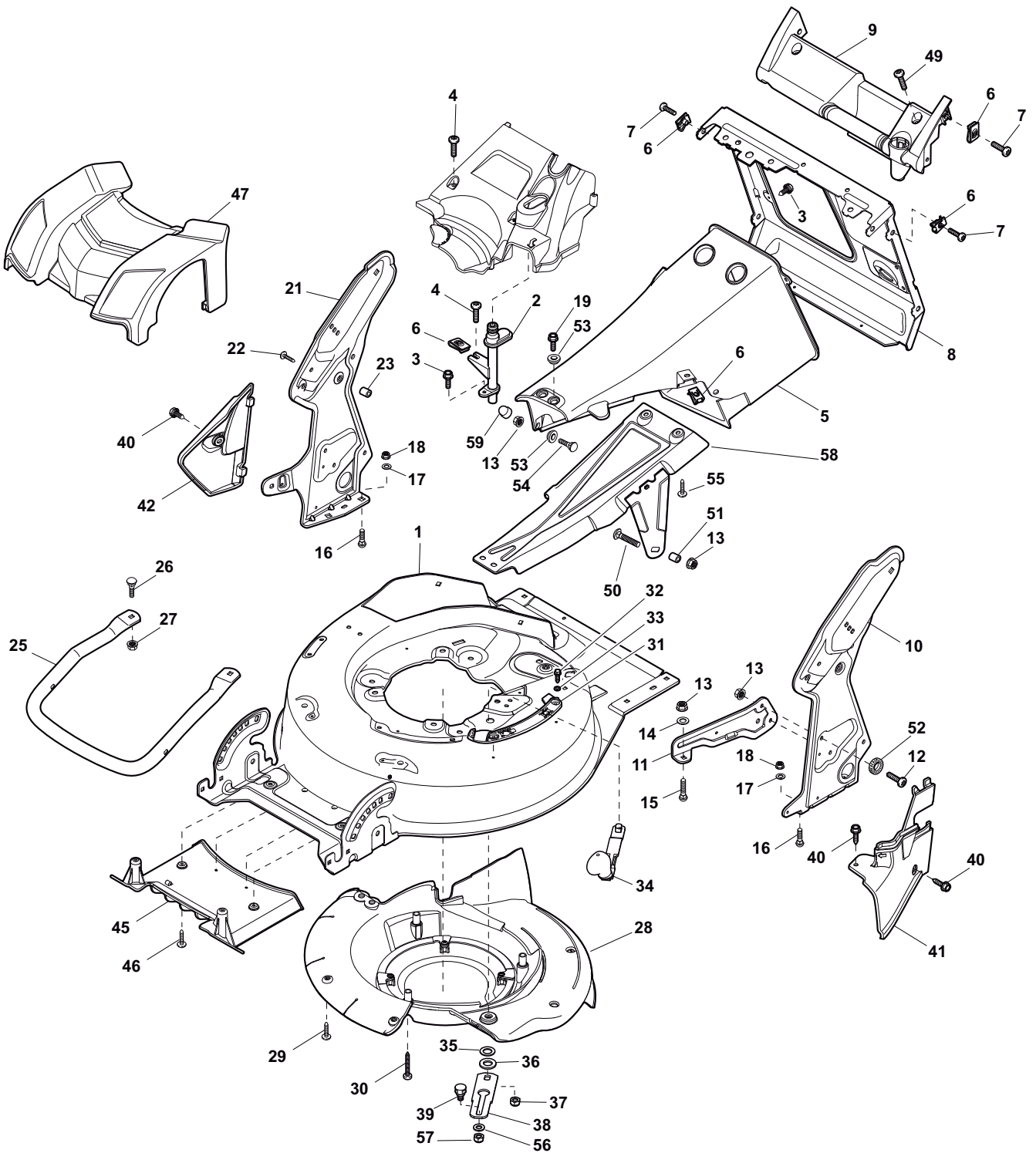
© Copyright 2013 Global Garden Products

All content is subject to copyright by Global Garden Products and may not be reproduced in whole or in part by any means, electronic or otherwise, without prior written approval.

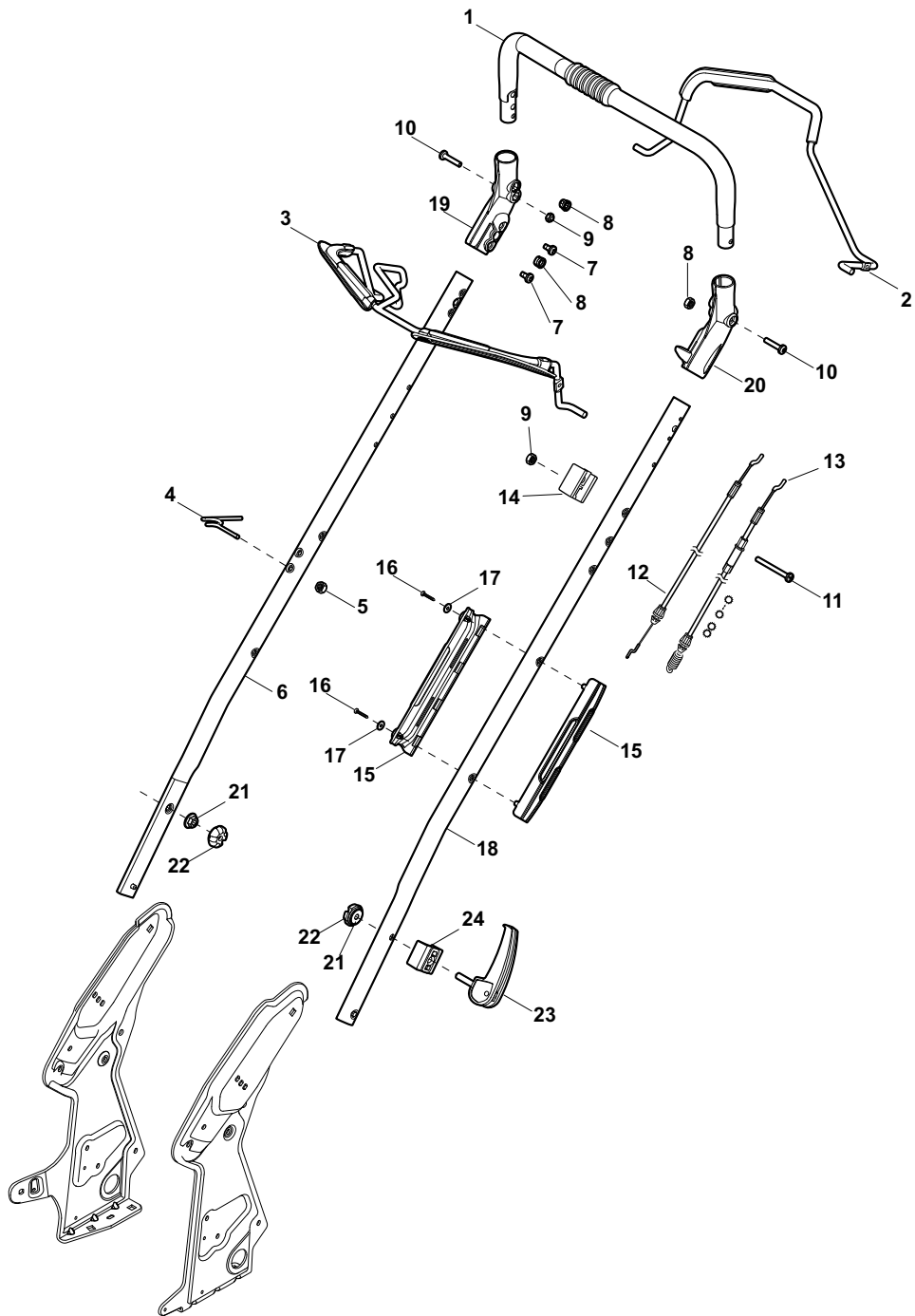
THIS INFORMATION IS NOT INTENDED FOR SALE OR RESALE, AND THIS NOTICE MUST REMAIN ON ALL COPIES.



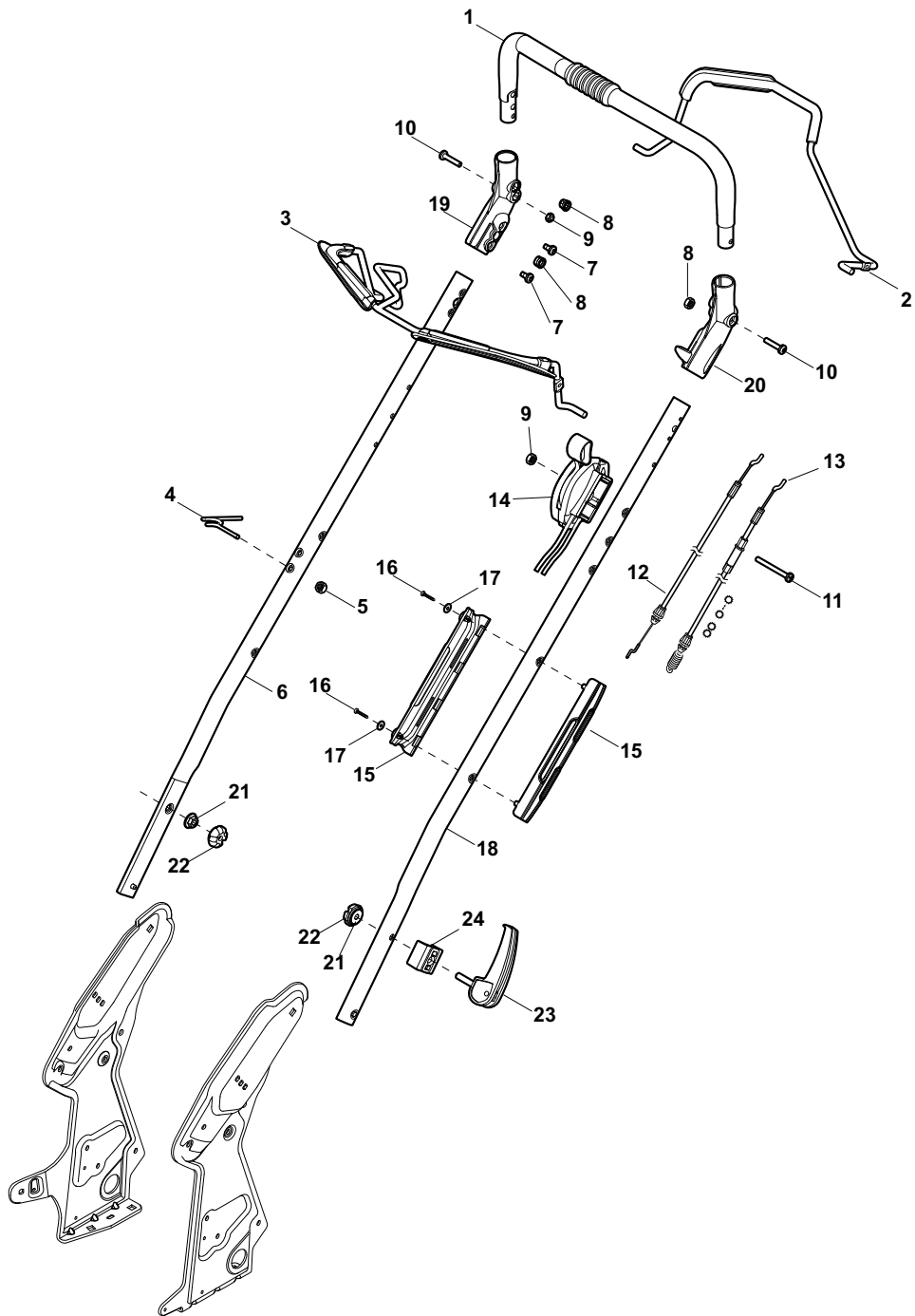
POS	PART. NO	Q.ty	DESCRIPTION	DESCRIZIONE	DESCRIPTION	BESCHREIBUNG	REMARKS
1	381003875/0	1	Deck Yellow	Chassis Giallo	Châssis Jaune	Gehäuse Gelb	
1	381003944/0	1	Deck INOX	Chassis INOX	Châssis INOX	Gehäuse INOX	
2	322034001/1	1	Washing Connection	Attacco Acqua Lavaggio	Attaque Lavage	Waschenverbindung	
3	125943004/0	5	Screw	Vite	Vis	Schraube	
4	112815200/0	2	Screw	Vite	Vis	Schraube	
5	322108294/0	1	Conveyor Yellow	Convogliatore Giallo	Convoyeur Jaune	Leitblechsatz Gelb	
6	112437507/0	12	Plate	Piastrina	Plaquette	Plättchen	
7	112727802/0	8	Screw	Vite	Vis	Schraube	
8	381545321/0	1	Rear Plate	Piastra Posteriore	Plaque Arriere	Platte, Hinter	
8	381545323/0	1	Rear Plate	Piastra Posteriore	Plaque Arriere	Platte, Hinter	only TR-E
9	322785282/0	1	Support	Supporto	Support	Halter	
10	381545333/0	1	Bracket, L	Staffa Sx	Etrier Gauche	Steigbügel, Linke	
11	322545191/0	1	Support	Supporto	Support	Halter	
12	112727803/0	2	Screw	Vite	Vis	Schraube	
13	112154510/0	4	Nut	Dado	Ecrou	Mutter	
14	112521330/0	1	Washer	Rosetta	Rondelle	Scheibe	
15	112815200/0	1	Screw	Vite	Vis	Schraube	
16	112818690/0	4	Screw	Vite	Vis	Schraube	
17	112521350/0	4	Washer	Rosetta	Rondelle	Scheibe	
18	112155000/0	4	Nut	Dado	Ecrou	Mutter	
19	112727801/0	2	Screw	Vite	Vis	Schraube	
21	381545331/0	1	Bracket, R	Staffa Dx	Etrier Droit	Steigbügel, Rechte	
22	112735662/1	2	Screw	Vite	Vis	Schraube	
23	122534128/0	2	Pin	Perno	Pivot	Bolzen	
25	381393702/0	2	Protection	Cappuccio	Capuchon	Stecker	
26	112815205/0	2	Screw	Vite	Vis	Schraube	
27	112154510/0	2	Nut	Dado	Ecrou	Mutter	
28	381102203/0	1	Protection Mulching	Carter Mulching	Protection Mulching	Schutz Mulching	
29	125943004/0	2	Screw	Vite	Vis	Schraube	
30	112735115/0	3	Screw	Vite	Vis	Schraube	
31	322500052/2	1	Shoe	Pattino	Bloc De Glissement	Gleitblock	
32	112731580/0	2	Screw	Vite	Vis	Schraube	
33	112521331/0	2	Washer	Rosetta	Rondelle	Scheibe	
34	381003338/0	1	Lever	Leva Comando	Levier	Hebel	
35	321660100/0	1	Washer	Rosetta	Rondelle	Scheibe	
36	112521370/0	1	Washer	Rosetta	Rondelle	Scheibe	
37	112293201/0	1	Nut	Dado	Ecrou	Mutter	
38	322320009/0	1	Lever	Leva	Levier	Hebel	
39	122042022/0	1	Bush	Bussola	Douille	Büchse	
40	125943004/0	3	Screw	Vite	Vis	Schraube	
41	322109830/0	1	Guard Black	Carter Nero	Couvre, Noir	Kappe, Schwarz	
42	322109825/0	1	Guard Black	Carter Nero	Couvre, Noir	Kappe, Schwarz	
45	322500101/0	1	Front Combi	Pettine Anteriore	Vorne Comb	Peigne Avant	
46	112728703/0	2	Screw	Vite	Vis	Schraube	
48	322226140/0	1	Mask, Yellow	Mascherina, Giallo	Mesque, Jaune	Maske, Gelb	
48	322226141/0	1	Mask, Black	Mascherina, Nero	Mesque, Noir	Maske, Schwarz	
49	112727801/0	2	Screw	Vite	Vis	Schraube	
50	112815270/0	2	Screw	Vite	Vis	Schraube	
51	122671664/0	2	Spacer	Distanziale	Entretoise	Distanzring	
52	112540040/0	2	Washer	Rosetta	Rondelle	Scheibe	
53	325160039/0	6	Spacer	Distanziale	Entretoise	Distanzring	
54	112794986/0	1	Screw	Vite	Vis	Schraube	
55	112727799/0	2	Screw	Vite	Vis	Schraube	
56	112521350/0	1	Washer	Rosetta	Rondelle	Scheibe	
57	112155000/0	1	Nut	Dado	Ecrou	Mutter	
58	381608501/0	1	Stiffening Lower	Rinforzo Inf	Réinforcement Inf	Verstärkung Untere	
59	118203853/0	1	Protection	Cappuccio	Capuchon	Stecker	



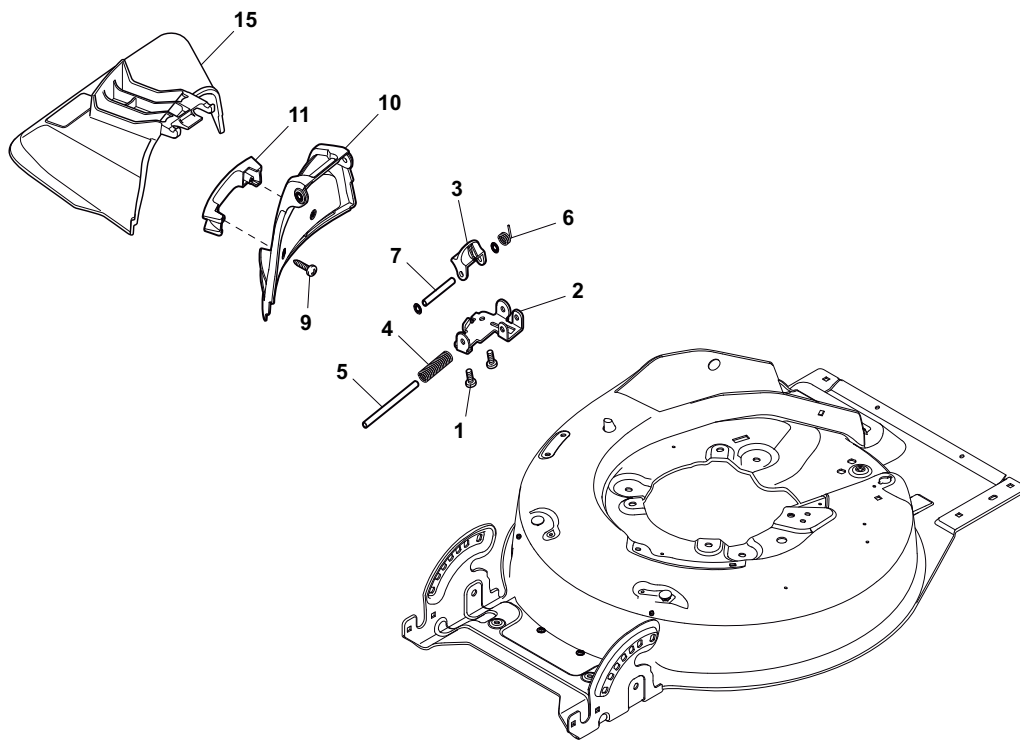
POS	PART. NO	Q.ty	DESCRIPTION	DESCRIZIONE	DESCRIPTION	BESCHREIBUNG	REMARKS
1	381003944/0	1	Deck INOX	Chassis INOX	Châssis INOX	Gehäuse INOX	
1	381003876/0	1	Deck Grey	Chassis Grigio	Châssis Gris	Gehäuse Grau	
2	322034001/1	1	Washing Connection	Attacco Acqua Lavaggio	Attaque Lavage	Waschenverbindung	
3	125943004/0	5	Screw	Vite	Vis	Schraube	
4	112815200/0	2	Screw	Vite	Vis	Schraube	
5	322108292/0	1	Conveyor Red	Convogliatore Rosso	Convoyeur Rouge	Leitblechsatz Rot	
6	112437507/0	12	Plate	Piastrina	Plaquette	Plättchen	
7	112727802/0	8	Screw	Vite	Vis	Schraube	
8	381545321/0	1	Rear Plate	Piastra Posteriore	Plaque Arriere	Platte, Hinter	
8	381545323/0	1	Rear Plate	Piastra Posteriore	Plaque Arriere	Platte, Hinter	only TR-E
9	322785282/0	1	Support	Supporto	Support	Halter	
10	381545333/0	1	Bracket, L	Staffa Sx	Etrier Gauche	Steigbügel, Linke	
11	322545191/0	1	Support	Supporto	Support	Halter	
12	112727803/0	2	Screw	Vite	Vis	Schraube	
13	112154510/0	4	Nut	Dado	Ecrou	Mutter	
14	112521330/0	1	Washer	Rosetta	Rondelle	Scheibe	
15	112815200/0	1	Screw	Vite	Vis	Schraube	
16	112818690/0	4	Screw	Vite	Vis	Schraube	
17	112521350/0	4	Washer	Rosetta	Rondelle	Scheibe	
18	112155000/0	4	Nut	Dado	Ecrou	Mutter	
19	112727801/0	2	Screw	Vite	Vis	Schraube	
21	381545331/0	1	Bracket, R	Staffa Dx	Etrier Droit	Steigbügel, Rechte	
22	112735662/1	2	Screw	Vite	Vis	Schraube	
23	122534128/0	2	Pin	Perno	Pivot	Bolzen	
25	381393702/0	2	Protection	Cappuccio	Capuchon	Stecker	
26	112815205/0	2	Screw	Vite	Vis	Schraube	
27	112154510/0	2	Nut	Dado	Ecrou	Mutter	
28	381102202/0	1	Protection Mulching	Carter Mulching	Protection Mulching	Schutz Mulching	
29	125943004/0	2	Screw	Vite	Vis	Schraube	
30	112735115/0	3	Screw	Vite	Vis	Schraube	
31	322500052/2	1	Shoe	Pattino	Bloc De Glissement	Gleitblock	
32	112731580/0	2	Screw	Vite	Vis	Schraube	
33	112521331/0	2	Washer	Rosetta	Rondelle	Scheibe	
34	381003338/0	1	Lever	Leva Comando	Levier	Hebel	
35	321660100/0	1	Washer	Rosetta	Rondelle	Scheibe	
36	112521370/0	1	Washer	Rosetta	Rondelle	Scheibe	
37	112293201/0	1	Nut	Dado	Ecrou	Mutter	
38	322320009/0	1	Lever	Leva	Levier	Hebel	
39	122042022/0	1	Bush	Bussola	Douille	Büchse	
40	125943004/0	3	Screw	Vite	Vis	Schraube	
41	322109830/0	1	Guard Black	Carter Nero	Couvre, Noir	Kappe, Schwarz	
42	322109825/0	1	Guard Black	Carter Nero	Couvre, Noir	Kappe, Schwarz	
45	322500101/0	1	Front Combi	Pettine Anteriore	Vorne Comb	Peigne Avant	
46	112728703/0	2	Screw	Vite	Vis	Schraube	
47	322226139/0	1	Mask, Red	Mascherina, Rosso	Mesque, Rouge	Maske, Rot	
49	112727801/0	2	Screw	Vite	Vis	Schraube	
50	112815270/0	2	Screw	Vite	Vis	Schraube	
51	122671664/0	2	Spacer	Distanziale	Entretoise	Distanzring	
52	112540040/0	2	Washer	Rosetta	Rondelle	Scheibe	
53	325160039/0	6	Spacer	Distanziale	Entretoise	Distanzring	
54	112794986/0	1	Screw	Vite	Vis	Schraube	
55	112727799/0	2	Screw	Vite	Vis	Schraube	
56	112521350/0	1	Washer	Rosetta	Rondelle	Scheibe	
57	112155000/0	1	Nut	Dado	Ecrou	Mutter	
58	381608501/0	1	Stiffening Lower	Rinforzo Inf	Réinforcement Inf	Verstärkung Untere	
59	118203853/0	1	Protection	Cappuccio	Capuchon	Stecker	



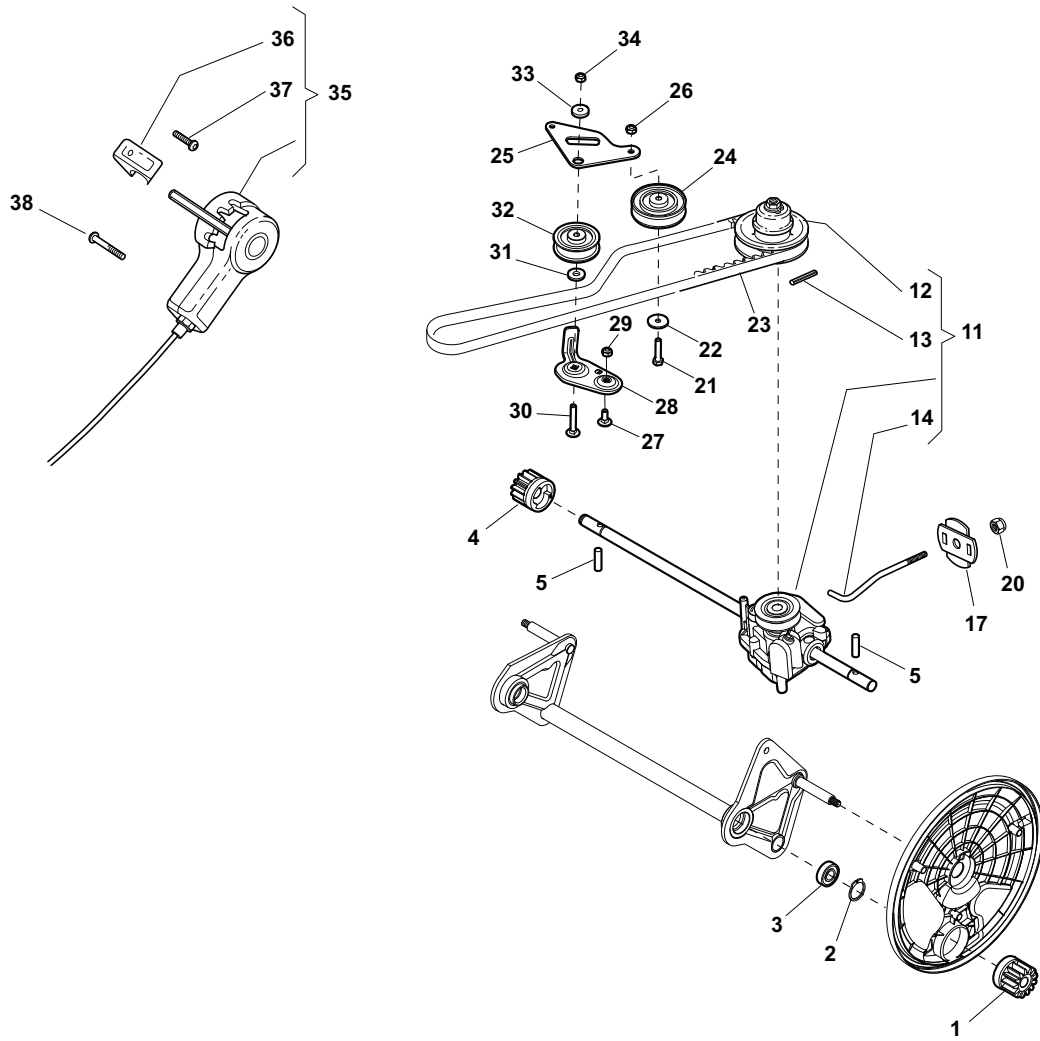
POS	PART. NO	Q.ty	DESCRIPTION	DESCRIZIONE	DESCRIPTION	BESCHREIBUNG	REMARKS
1	381006670/2	1	Handgrip	Impugnatura	Poignée	Handgriff	
2	381003349/0	1	Lever, Driving	Leva Trazione	Levier Traction	Antriebhebel	
3	381003344/0	1	Lever, Engine Brake	Leva Freno Motore	Levier Frein Moteur	Hebel, Motorbremse	
4	122430309/0	1	Spring	Molla	Ressort	Feder	
5	112154330/0	1	Nut	Dado	Ecrou	Mutter	
6	381006821/0	1	Handle Grey, Right	Manico Grigio, Parte Dx	Mancheron Gris, D	Holm Grau, Rechte	
6	381006895/0	1	Handle Black, R	Manico Nero, Parte Dx	Mancheron Noir, D	Holm Schwarz, Rechte	
7	112735662/1	4	Screw	Vite	Vis	Schraube	
8	322041967/1	3	Bush	Bussola	Douille	Büchse	
9	112154510/0	3	Nut	Dado	Ecrou	Mutter	
10	112728721/0	2	Screw	Vite	Vis	Schraube	
11	112727784/0	1	Screw	Vite	Vis	Schraube	
12	181030066/0	1	Cable, Thread Engine Brake	Cavo Freno Motore	Cable Frein Moteur	Kabel, Motorbremse	
13	381030068/0	1	Cable, Rear Drive	Cavo Comando Trazione	Câble, Comm. Traction	Kabel, Antrieb	
14	322551639/0	1	Plate	Piastrina	Plaquette	Plättchen	
15	322806644/0	1	Protection	Cappuccio	Capuchon	Stecker	
16	112727812/0	2	Screw	Vite	Vis	Schraube	
17	112523000/1	2	Washer	Rosetta	Rondelle	Scheibe	
18	381006823/0	1	Handle Grey, Left	Manico Grigio, Parte Sx	Mancheron Gris, G	Holm Grau, Linke	
18	381006897/0	1	Handle Black, L	Manico Nero, Parte Sx	Mancheron Noir, G	Holm Schwarz, Linke	
19	322488301/0	1	Support , R	Supporto, Parte Dx	Support, D	Halter, Rechte	
20	322488303/0	1	Support, L	Supporto, Parte Sx	Support, G	Halter, Linke	
21	112154220/0	2	Nut	Dado	Ecrou	Mutter	
22	322399835/0	2	Knob	Manopolina	Poignée	Griff	
23	381003253/0	2	Handle	Maniglia	Poignée	Griff	
24	322680017/0	2	Support	Supporto	Support	Halter	



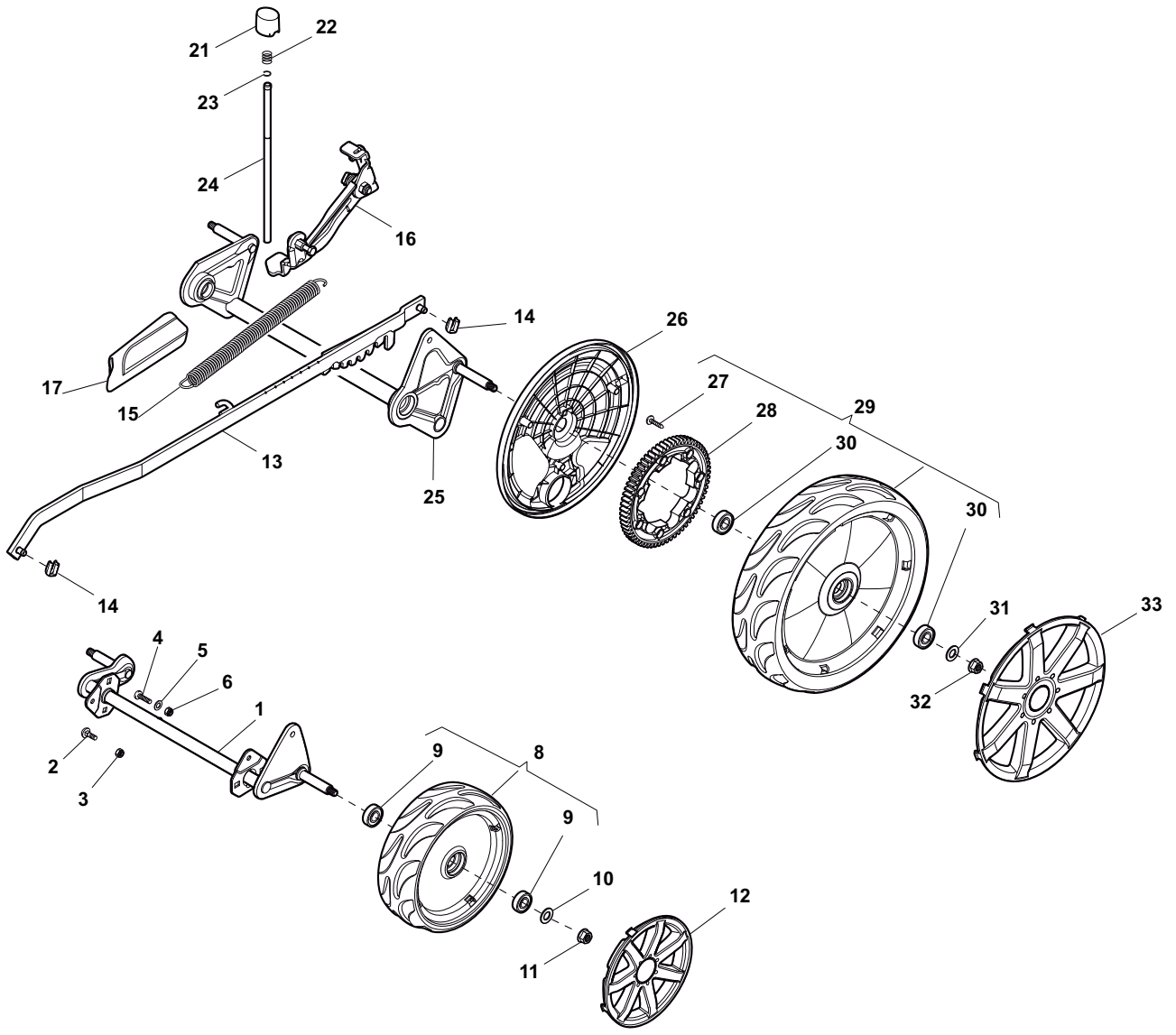
POS	PART. NO	Q.ty	DESCRIPTION	DESCRIZIONE	DESCRIPTION	BESCHREIBUNG	REMARKS
1	381006670/2	1	Handgrip	Impugnatura	Poignée	Handgriff	
2	381003349/0	1	Lever, Driving	Leva Trazione	Levier Traction	Antriebhebel	
3	381003344/0	1	Lever, Engine Brake	Leva Freno Motore	Levier Frein Moteur	Hebel, Motorbremse	
4	122430309/0	1	Spring	Molla	Ressort	Feder	
5	112154330/0	1	Nut	Dado	Ecrou	Mutter	
6	381006821/0	1	Handle Grey, Right	Manico Grigio, Parte Dx	Mancheron Gris, D	Holm Grau, Rechte	
6	381006895/0	1	Handle Black, R	Manico Nero, Parte Dx	Mancheron Noir, D	Holm Schwarz, Rechte	
7	112735662/1	4	Screw	Vite	Vis	Schraube	
8	322041967/1	3	Bush	Bussola	Douille	Büchse	
9	112154510/0	3	Nut	Dado	Ecrou	Mutter	
10	112728721/0	2	Screw	Vite	Vis	Schraube	
11	112727786/0	1	Screw	Vite	Vis	Schraube	
12	181030065/0	1	Cable, Thread Engine Brake	Cavo Freno Motore	Cable Frein Moteur	Kabel, Motorbremse	
13	381030067/0	1	Cable, Rear Drive	Cavo Comando Trazione	Câble, Comm. Traction	Kabel, Antrieb	
14	181005507/0	1	Throttle Cable	Cavo Acceleratore	Cable, Accelérateur	Gashebel Kabel	GGP Engine
14	181005508/0	1	Throttle Cable	Cavo Acceleratore	Cable, Accelérateur	Gashebel Kabel	B&S Engine
14	181005510/0	1	Throttle Cable	Cavo Acceleratore	Cable, Accelérateur	Gashebel Kabel	HONDA Engine
14	181005520/1	1	Throttle Cable	Cavo Acceleratore	Cable, Accelérateur	Gashebel Kabel	DOV
14	181005523/1	1	Throttle Cable	Cavo Acceleratore	Cable, Accelérateur	Gashebel Kabel	B&S 850 Engine
15	322806644/0	1	Protection	Cappuccio	Capuchon	Stecker	
16	112727812/0	2	Screw	Vite	Vis	Schraube	
17	112523000/1	2	Washer	Rosetta	Rondelle	Scheibe	
18	381006823/0	1	Handle Grey, Left	Manico Grigio, Parte Sx	Mancheron Gris, G	Holm Grau, Linke	
18	381006897/0	1	Handle Black, L	Manico Nero, Parte Sx	Mancheron Noir, G	Holm Schwarz, Linke	
19	322488301/0	1	Support , R	Supporto, Parte Dx	Support, D	Halter, Rechte	
20	322488303/0	1	Support, L	Supporto, Parte Sx	Support, G	Halter, Linke	
21	112154220/0	2	Nut	Dado	Ecrou	Mutter	
22	322399835/0	2	Knob	Manopolina	Poignée	Griff	
23	381003253/0	2	Handle	Maniglia	Poignée	Griff	
24	322680017/0	2	Support	Supporto	Support	Halter	



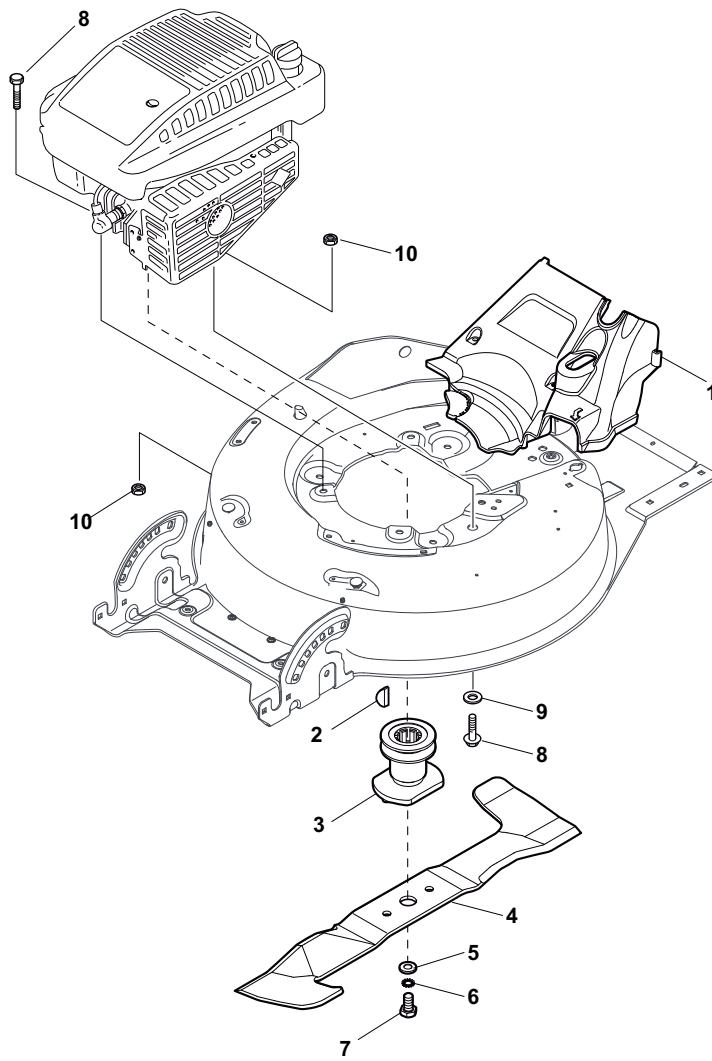
POS	PART. NO	Q.ty	DESCRIPTION	DESCRIZIONE	DESCRIPTION	BESCHREIBUNG	REMARKS
1	112727803/0	2	Screw	Vite	Vis	Schraube	
2	322806635/1	1	Fulcrum Pin	Perno Fulcro	Pivot	Gelenkpunkt	
3	322783010/1	1	Button	Pulsante	Poussoir	Druckknopf	
4	122450456/0	1	Spring	Molla	Ressort	Feder	
5	122517864/0	1	Pin	Perno	Pivot	Bolzen	
6	122450457/0	1	Spring	Molla	Ressort	Feder	
7	122517866/0	1	Pin	Perno	Pivot	Bolzen	
9	112728706/0	2	Screw	Vite	Vis	Schraube	
10	322600200/0	1	Ejection Guard	Protezione Uscita	Protection Sortie	Auswurfschutz	
11	322393633/0	1	Handle	Maniglia	Poignée	Griff	
15	322108289/0	1	Ejection Guard	Protezione Uscita	Protection Sortie	Auswurfschutz	



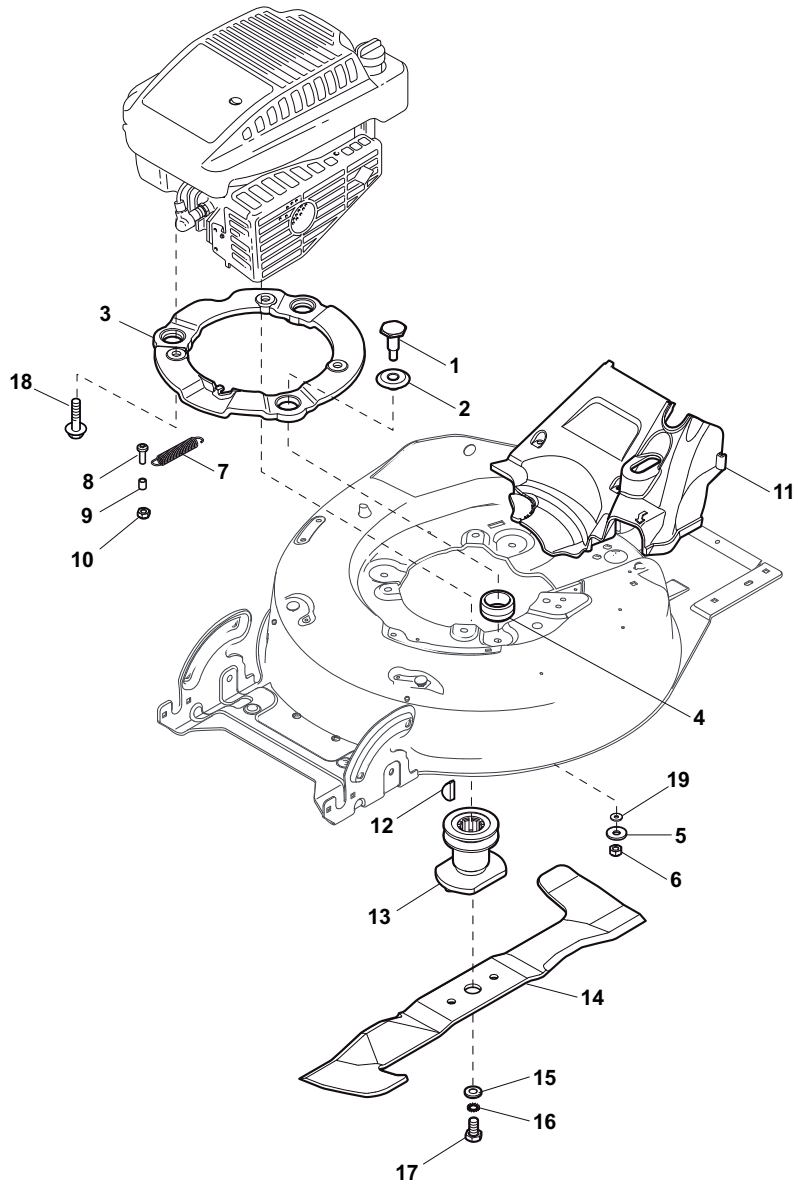
POS	PART. NO	Q.ty	DESCRIPTION	DESCRIZIONE	DESCRIPTION	BESCHREIBUNG	REMARKS
1	122570132/0	1	Pinion L	Pignone Sx	Pignon G	Ritzel Linkes	
2	112608600/0	4	Seeger	Seeger	Seeger	Seeger	
3	119216035/0	2	Bearing	Cuscinetto	Coussinet	Lager	
4	122570131/0	1	Pinion R	Pignone Dx	Pignon D	Ritzel Rechtes	
5	122753000/0	2	Pin	Perno	Pivot	Bolzen	
11	181003107/1	1	Gear Box	Gruppo Trazione	Groupe Traction	Antrieb	
12	122601925/0	1	Pulley	Puleggia	Poulie	Riemenscheibe	
13	112645700/0	1	Pin	Perno	Pivot	Bolzen	
14	122033298/0	1	Adjustment Rod	Asta Regolazione	Tige Reglage	Verstellungstange	
17	322675113/0	2	Washer	Rosetta	Rondelle	Scheibe	
20	112154510/0	1	Nut	Dado	Ecrou	Mutter	
21	112674550/0	1	Screw	Vite	Vis	Schraube	
22	112523050/0	1	Washer	Rosetta	Rondelle	Scheibe	
23	135064386/0	1	Belt	Cinghia	Courroire	Riemen	
24	122601914/0	1	Pulley	Puleggia	Poulie	Riemenscheibe	
25	322322835/0	1	Lever	Leva	Levier	Hebel	
26	112154510/0	1	Nut	Dado	Ecrou	Mutter	
27	112815205/0	1	Screw	Vite	Vis	Schraube	
28	322806637/1	1	Support	Supporto	Support	Halter	
29	112154510/0	1	Nut	Dado	Ecrou	Mutter	
30	112815240/0	1	Screw	Vite	Vis	Schraube	
31	122671653/0	1	Washer	Rosetta	Rondelle	Scheibe	
32	122601915/0	1	Pulley	Puleggia	Poulie	Riemenscheibe	
33	122671656/0	1	Washer	Rosetta	Rondelle	Scheibe	
34	112154510/0	1	Nut	Dado	Ecrou	Mutter	
35	381007189/0	1	Cable, Speed Drive Control	Cavo Comando Marce	Cable, Comm. Changement Vitesse	Kabel, Gangeschaltun	
36	322399820/0	1	Knob	Manopolina	Poignée	Griff	
37	112728702/0	2	Screw	Vite	Vis	Schraube	
38	112728536/0	2	Screw	Vite	Vis	Schraube	



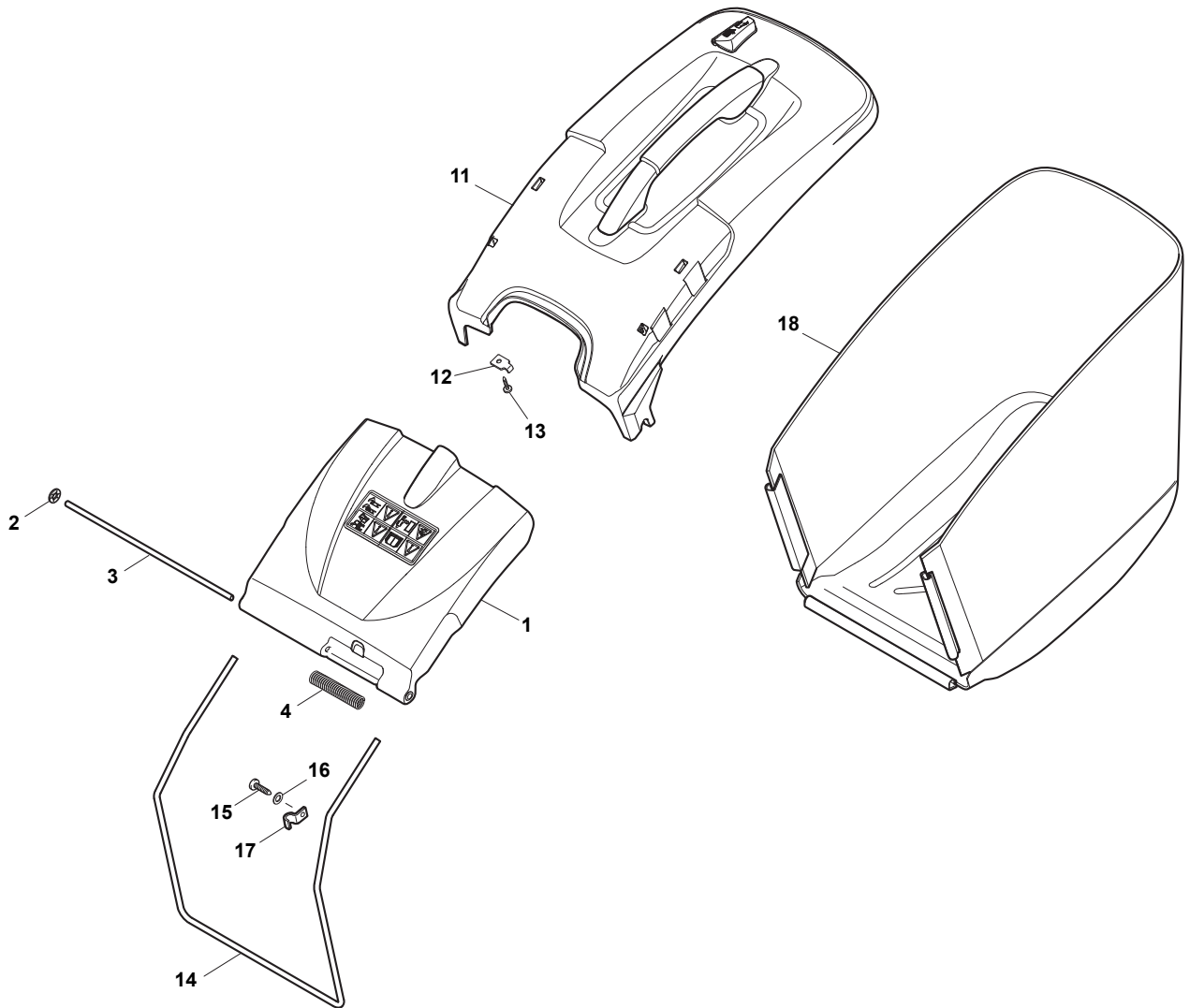
POS	PART. NO	Q.ty	DESCRIPTION	DESCRIZIONE	DESCRIPTION	BESCHREIBUNG	REMARKS
1	381302801/0	1	Axle, Front Wheels	Asse Ruote Anteriori	Axe Roues Avant	Achse, Vorderrad	
2	112815205/0	4	Screw	Vite	Vis	Schraube	
3	112154510/0	4	Nut	Dado	Ecrou	Mutter	
4	112727799/0	2	Screw	Vite	Vis	Schraube	
5	112523040/0	2	Washer	Rosetta	Rondelle	Scheibe	
6	112154510/0	2	Nut	Dado	Ecrou	Mutter	
8	381007394/1	2	Wheel Ø 210	Ruota Rigata Ø 210	Roue Ø 210	Rad. Ø 210	
9	119216035/0	4	Bearing	Cuscinetto	Coussinet	Lager	
10	112521350/0	2	Washer	Rosetta	Rondelle	Scheibe	
11	112155000/0	2	Nut	Dado	Ecrou	Mutter	
12	322110597/0	2	Hub Cap	Coprिमozzo	Couvre-Moyeu	Radkappe	
13	381002035/0	1	Rod, Height Adjustment	Asta Comando Regol. Altezza	Tige Commande Reglage Hauteur	Stange, Höheverstellung	
14	112436051/0	2	Plate	Piastrina	Plaquette	Plättchen	
15	122450459/1	1	Spring	Molla	Ressort	Feder	
16	381003337/1	1	Lever, Height Adjustment	Leva Regolazione Altezza	Levier Reglage Hauteur	Hebel, Höneverstellung	
17	322570202/0	1	Cover	Capottina	Capot	Haube	
21	322602012/1	1	Button	Pulsante	Poussoir	Druckknopf	
22	122450462/0	1	Spring	Molla	Ressort	Feder	
23	112000930/0	1	Snap Ring	Anello Elastico	Anneau Ressort	Sprengring	
24	122033351/1	1	Rod	Astina	Tige	Stange	
25	381002899/0	1	Axle, Rear Wheels	Asse Ruote Posteriore	Axe Roues Arriere	Achse, Hinterrad	
26	322600179/0	2	Protection, Wheel	Protezione Ruote	Protection Roue	Schütz, Räder	
27	112728691/0	6	Screw	Vite	Vis	Schraube	
28	322120113/0	2	Ring Gear	Corona	Couronne	Kranz	
29	381007398/1	2	Wheel Ø 300	Ruota Ø 300	Roue Ø 300	Rad Ø 300	
30	119216035/0	4	Bearing	Cuscinetto	Coussinet	Lager	
31	112521350/0	2	Washer	Rosetta	Rondelle	Scheibe	
32	112155000/0	2	Nut	Dado	Ecrou	Mutter	
33	322110599/0	2	Hub Cap	Coprिमozzo	Couvre-Moyeu	Radkappe	



POS	PART. NO	Q.ty	DESCRIPTION	DESCRIZIONE	DESCRIPTION	BESCHREIBUNG	REMARKS
1	322060234/0	1	Protection	Cappuccio	Capuchon	Stecker	
2	112139100/0	1	Feather, Crankshaft Ø 22.2	Linguetta, Albero Motore Ø 22.2	Clavette, Arbre Moteur Ø 22.2	Keil, Motorwelle Ø 22.2	B&S - GGP Engine
2	112139150/0	1	Feather, Crankshaft Ø 25	Linguetta, Albero Motore Ø 25	Clavette, Arbre Moteur Ø 25	Keil, Motorwelle Ø 25	Honda Engine
3	122465607/3	1	Hub With Pulley, Crankshaft Ø 22.2	Mozzo Con Puleggia, Albero Motore Ø 22.2	Moyeu Avec Poulie, Arbre Moteur Ø 22.2	Nabe Mit Scheibe, Motorwelle Ø 22.2	B&S - GGP Engine
3	122465608/2	1	Hub With Pulley, Crankshaft Ø 25	Mozzo Con Puleggia, Albero Motore Ø 25	Moyeu Avec Poulie, Arbre Moteur Ø 25	Nabe Mit Scheibe, Motorwelle Ø 25	Honda Engine
4	181004453/0	1	Blade	Coltello	Lame	Messer	
5	122160400/0	1	Elastic Washer	Disco Elastico	Disque Elastique	Federscheibe	
6	112523080/0	1	Washer	Rosetta	Rondelle	Scheibe	
7	112736815/0	1	Screw	Vite	Vis	Schraube	
8	112691100/0	2	Screw	Vite	Vis	Schraube	B&S 675-850 Engine
8	112691100/0	3	Screw	Vite	Vis	Schraube	B&S 625-750 Engine
8	112691115/0	3	Screw	Vite	Vis	Schraube	HONDA Engine
8	112691115/0	3	Screw	Vite	Vis	Schraube	GGP Engine
8	112691800/0	1	Screw	Vite	Vis	Schraube	B&S 675-850 Engine
9	112521350/0	1	Washer	Rosetta	Rondelle	Scheibe	
10	112154210/0	3	Nut	Dado	Ecrou	Mutter	



POS	PART. NO	Q.ty	DESCRIPTION	DESCRIZIONE	DESCRIPTION	BESCHREIBUNG	REMARKS
1	122519816/0	3	Pin	Perno	Pivot	Bolzen	
2	322672201/0	3	Washer	Rosetta	Rondelle	Scheibe	
3	322207226/0	1	Flange	Flangia	Bride	Flansch	
4	322250014/0	3	Grommet	Gommino	Caoutchouc	Gummi	
5	112521350/0	3	Washer	Rosetta	Rondelle	Scheibe	
6	112155000/0	3	Nut	Dado	Ecrou	Mutter	
7	122450461/0	1	Spring	Molla	Ressort	Feder	
8	112727801/0	1	Screw	Vite	Vis	Schraube	
9	122170846/0	1	Spacer	Distanziale	Entretoise	Distanzring	
10	112154510/0	1	Nut	Dado	Ecrou	Mutter	
11	322060230/0	1	Protection	Cappuccio	Capuchon	Stecker	
12	112139100/0	1	Feather, Crankshaft Ø 22.2	Linguetta, Albero Motore Ø 22.2	Clavette, Arbre Moteur Ø 22.2	Keil, Motorwelle Ø 22.2	B&S - GGP Engine
12	112139150/0	1	Feather, Crankshaft Ø 25	Linguetta, Albero Motore Ø 25	Clavette, Arbre Moteur Ø 25	Keil, Motorwelle Ø 25	Honda Engine
13	122465638/1	1	Hub With Pulley, Crankshaft Ø 22.2	Mozzo Con Puleggia, Albero Motore Ø 22.2	Moyeu Avec Poulie, Arbre Moteur Ø 22.2	Nabe Mit Scheibe, Motorwelle Ø 22.2	B&S - GGP Engine
13	122465639/1	1	Hub With Pulley, Crankshaft Ø 25	Mozzo Con Puleggia, Albero Motore Ø 25	Moyeu Avec Poulie, Arbre Moteur Ø 25	Nabe Mit Scheibe, Motorwelle Ø 25	Honda Engine
14	181004454/0	1	Blade	Coltello	Lame	Messer	
15	122160400/0	1	Elastic Washer	Disco Elastico	Disque Elastique	Federscheibe	
16	112523080/0	1	Washer	Rosetta	Rondelle	Scheibe	
17	112736815/0	1	Screw	Vite	Vis	Schraube	
18	112735108/1	3	Screw	Vite	Vis	Schraube	
19	122170850/0	3	Spacer	Distanziale	Entretoise	Distanzring	



POS	PART. NO	Q.ty	DESCRIPTION	DESCRIZIONE	DESCRIPTION	BESCHREIBUNG	REMARKS
1	322600180/4	1	Stone-Guard	Parasassi	Pare-Pierres	Prallblech	
2	112604899/0	2	Crown Fastener	Fissatore A Corona	Fixateur A Couronne	Kronescheibe	
3	122517863/0	1	Pin	Perno	Pivot	Bolzen	
4	122450455/1	1	Spring	Molla	Ressort	Feder	
11	381486007/0	1	Grass-Box, Upper Part	Sacco, Parte Sup	Sac, Partie Superieure	Korb, Oberteil	
12	322545159/0	2	Plate	Piastrina	Plaquette	Plättchen	
13	112728689/0	2	Screw	Vite	Vis	Schraube	
14	122608542/0	1	Stiffening Lower	Rinforzo Inf	Réinforcement Inf	Verstärkung Untere	
15	112728689/0	2	Screw	Vite	Vis	Schraube	
16	112521320/0	2	Washer	Rosetta	Rondelle	Scheibe	
17	325774220/0	2	Plate	Piastrina	Plaquette	Plättchen	
18	181002298/2	1	Box, Fabric	Sacco, Tela	Sac, Toile	Sack, Tuck	STD Black
18	181002302/2	1	Box, Fabric	Sacco, Tela	Sac, Toile	Sack, Tuck	Stiga
18	181002303/2	1	Box, Fabric	Sacco, Tela	Sac, Toile	Sack, Tuck	Castelgarden