

ILLUSTRATED PARTS LIST

CR 484
CR 484 Q
CS 484
CS 484 Q

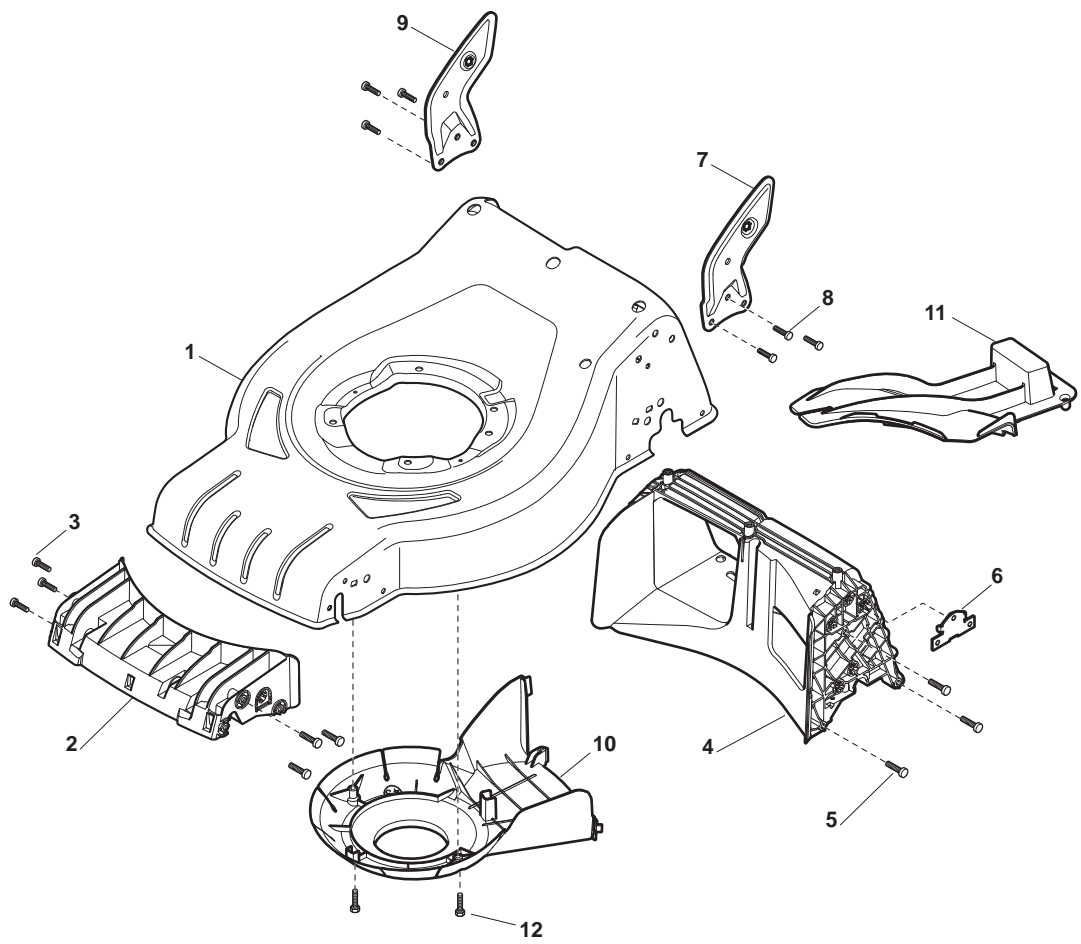


- Use GLOBAL GARDEN PRODUCT Genuine Spare Parts specified in the parts list for repair and/or replacement.
- The contents described in the parts list may change due to improvement.
- The drawings of the spare parts are only indicative and might not represent the part in question exactly.
- The indications "right" - "left" - "front" - "rear" refer to the position of the operator when using the machine.
- When placing orders of parts for repair and/or replacement, make sure that the illustrated parts list is the one applying to the machine's year of manufacture, as shown on the identification plate attached to the machine.

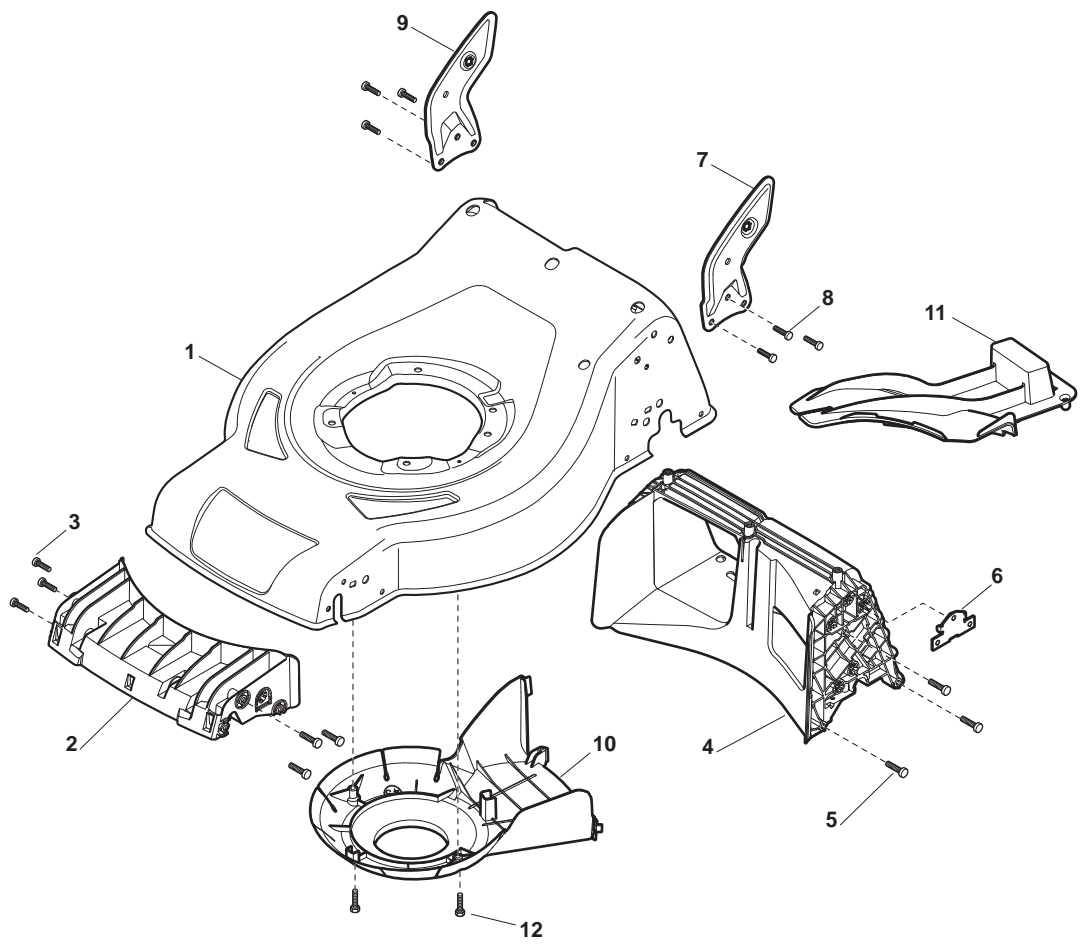
© Copyright 2013 Global Garden Products

All content is subject to copyright by Global Garden Products and may not be reproduced in whole or in part by any means, electronic or otherwise, without prior written approval.

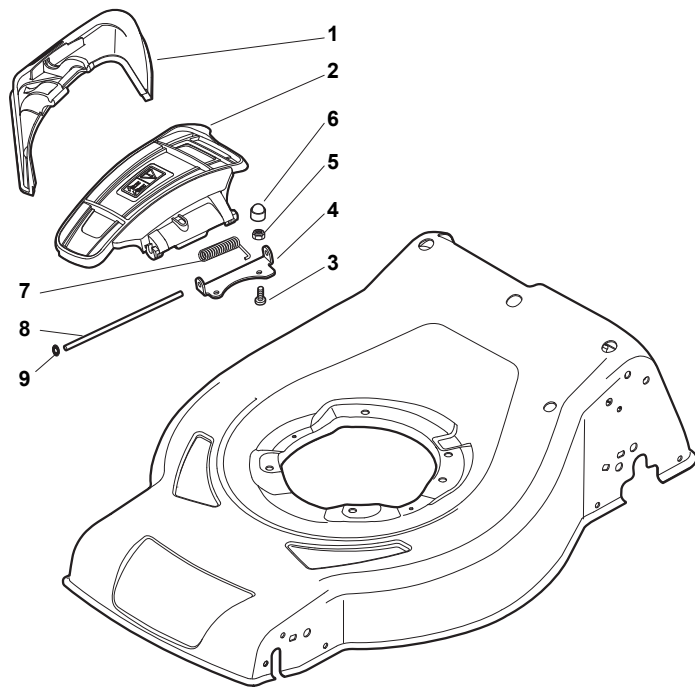
THIS INFORMATION IS NOT INTENDED FOR SALE OR RESALE, AND THIS NOTICE MUST REMAIN ON ALL COPIES.



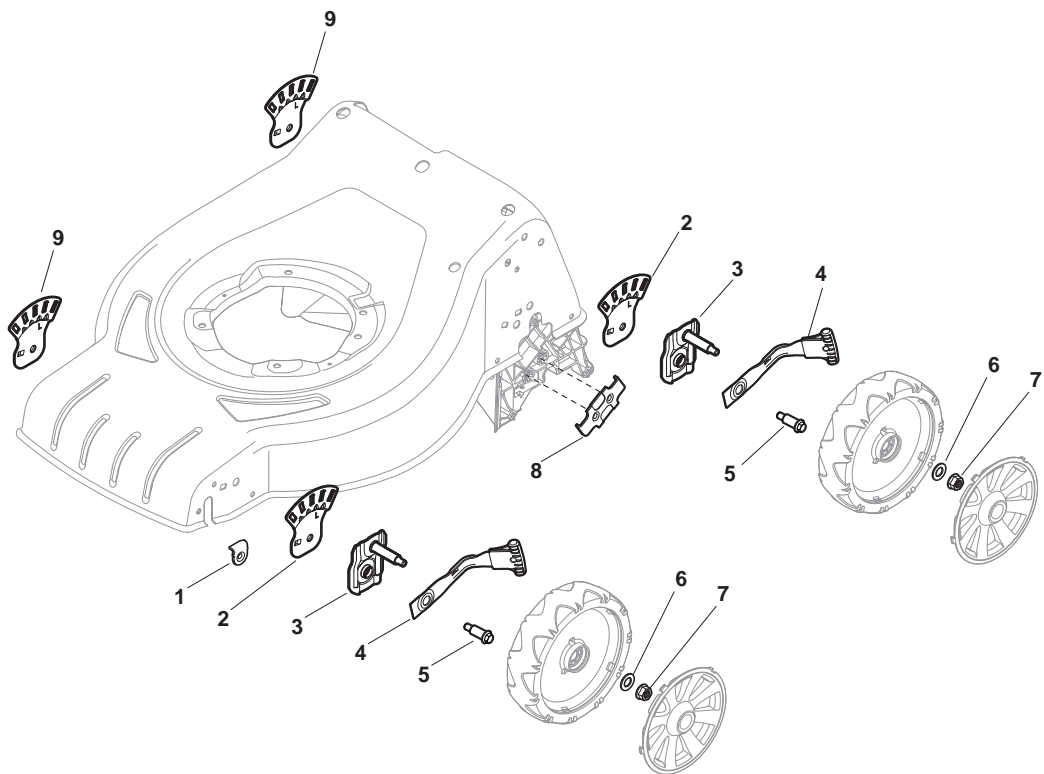
POS	PART. NO	Q.ty	DESCRIPTION	DESCRIZIONE	DESCRIPTION	BESCHREIBUNG	REMARKS
1	381004018/0	1	Deck Red	Chassis Rosso	Châssis Rouge	Gehäuse Rot	
1	381004024/0	1	Deck Black	Chassis Nero	Châssis Noir	Gehäuse Schwarz	
1	381004613/0	1	Deck Red	Chassis Rosso	Châssis Rouge	Gehäuse Rot	Side Discharge
2	322108301/1	1	Front Conveyor Assy	Convogl. Anteriore	Ens. Convoyeur Avant	Hinterleitblechvorder	
3	112728699/0	6	Screw	Vite	Vis	Schraube	
4	322108302/0	1	Rear Conveyor Assy	Convogl. Posteriore	Ens. Convoyeur Post.	Hinterleitblechsatz	
5	112728699/0	6	Screw	Vite	Vis	Schraube	
6	322545213/0	2	Plate	Piastrina	Plaquette	Plättchen	
7	381005139/0	1	Bracket, L	Staffa Sx	Etrier Gauche	Steigbügel, Linke	
8	112727801/0	6	Screw	Vite	Vis	Schraube	
9	381005137/0	1	Bracket, R	Staffa Dx	Etrier Droit	Steigbügel, Rechte	
10	322060242/0	1	Protection, Belt	Carter Cinghia	Protection Courroire	Schutz, Riemen	
11	322140239/0	1	Deflector	Deflettore	Deflecteur	Abweiser	
12	112728530/0	2	Screw	Vite	Vis	Schraube	



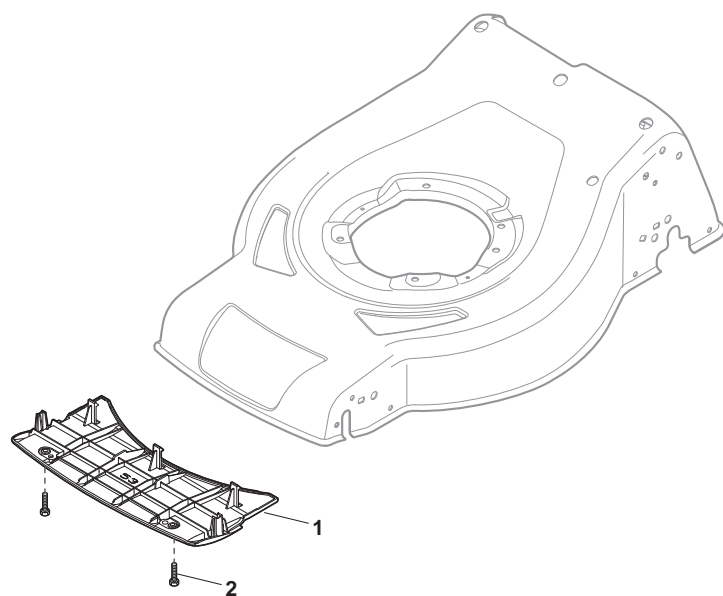
POS	PART. NO	Q.ty	DESCRIPTION	DESCRIZIONE	DESCRIPTION	BESCHREIBUNG	REMARKS
1	381004020/0	1	Deck Red	Chassis Rosso	Châssis Rouge	Gehäuse Rot	
1	381004051/0	1	Deck Black	Chassis Nero	Châssis Noir	Gehäuse Schwarz	
1	381004548/0	1	Deck Red	Chassis Rosso	Châssis Rouge	Gehäuse Rot	Side Discharge
2	322108301/1	1	Front Conveyor Assy	Convogl. Anteriore	Ens. Convoyeur Avant	Hinterleitblechvorder	
3	112728699/0	6	Screw	Vite	Vis	Schraube	
4	322108302/0	1	Rear Conveyor Assy	Convogl. Posteriore	Ens. Convoyeur Post.	Hinterleitblechsatz	
5	112728699/0	6	Screw	Vite	Vis	Schraube	
6	322545213/0	2	Plate	Piastrina	Plaquette	Plättchen	
7	381005139/0	1	Bracket, L	Staffa Sx	Etrier Gauche	Steigbügel, Linke	
8	112727801/0	6	Screw	Vite	Vis	Schraube	
9	381005137/0	1	Bracket, R	Staffa Dx	Etrier Droit	Steigbügel, Rechte	
10	322060242/0	1	Protection, Belt	Carter Cinghia	Protection Courroire	Schutz, Riemen	
11	322140239/0	1	Deflector	Deflettore	Deflecteur	Abweiser	
12	112728530/0	2	Screw	Vite	Vis	Schraube	



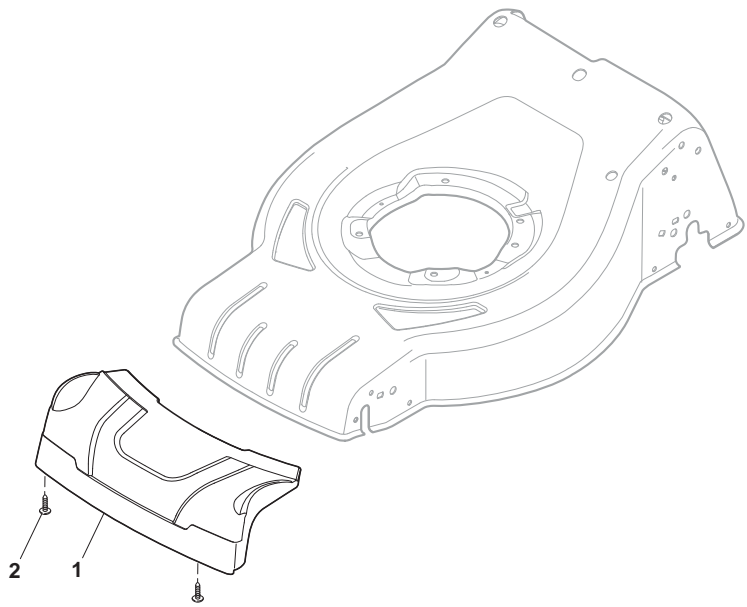
POS	PART. NO	Q.ty	DESCRIPTION	DESCRIZIONE	DESCRIPTION	BESCHREIBUNG	REMARKS
1	322108309/0	1	Rear Conveyor Assy	Convogl. Posteriore	Ens. Convoyeur Post.	Hinterleitblechsatz	
2	322600238/0	1	Ejection Guard	Protezione Uscita	Protection Sortie	Auswurfschutz	
3	112727803/0	2	Screw	Vite	Vis	Schraube	
4	322806639/0	1	Fulcrum Pin	Perno Fulcro	Pivot	Gelenkpunkt	
5	112154510/0	2	Nut	Dado	Ecrou	Mutter	
6	118203853/0	2	Protection	Cappuccio	Capuchon	Stecker	
7	122450456/0	1	Spring	Molla	Ressort	Feder	
8	122517869/0	1	Pin	Perno	Pivot	Bolzen	
9	112604896/0	2	Crown Fastener	Fissatore A Corona	Fixateur A Couronne	Kronescheibe	



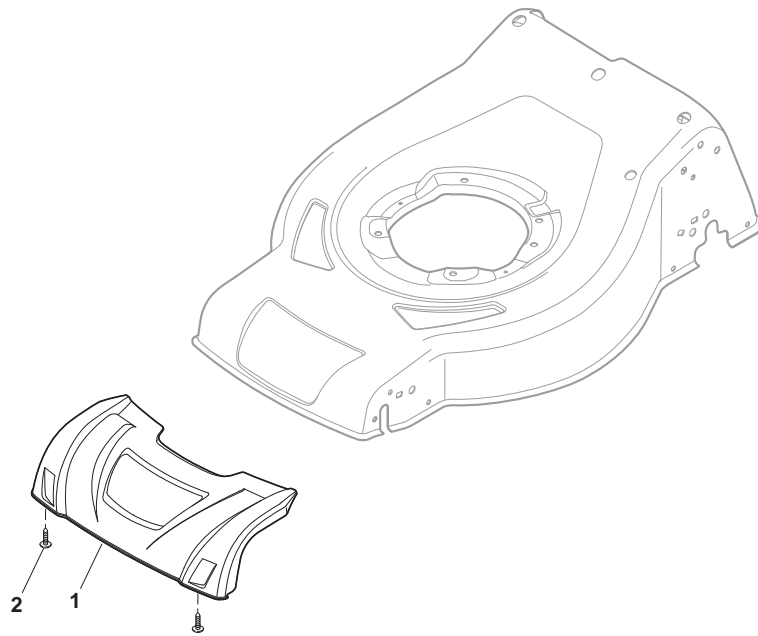
POS	PART. NO	Q.ty	DESCRIPTION	DESCRIZIONE	DESCRIPTION	BESCHREIBUNG	REMARKS
1	322545189/0	2	Plate	Piastrina	Plaquette	Plättchen	
2	322735597/1	2	Sector, Height Adjustment	Settore Regolazione Altezza	Secteur Reglage Hauteur	Sektor, Höheverstellung	
3	381005141/0	4	Support, Wheel	Supporto Ruota	Support Roue	Halter, Rad	
4	381003354/0	4	Lever, Height Adjustment	Leva Regolazione Altezza	Levier Reglage Hauteur	Hebel, Höneverstellung	
5	122519811/0	4	Pin	Perno	Pivot	Bolzen	
6	112521350/0	4	Washer	Rosetta	Rondelle	Scheibe	
7	112155000/0	4	Nut	Dado	Ecrou	Mutter	
8	322545211/0	2	Plate	Piastrina	Plaquette	Plättchen	
9	322735595/1	2	Sector, Height Adjustment	Settore Regolazione Altezza	Secteur Reglage Hauteur	Sektor, Höheverstellung	



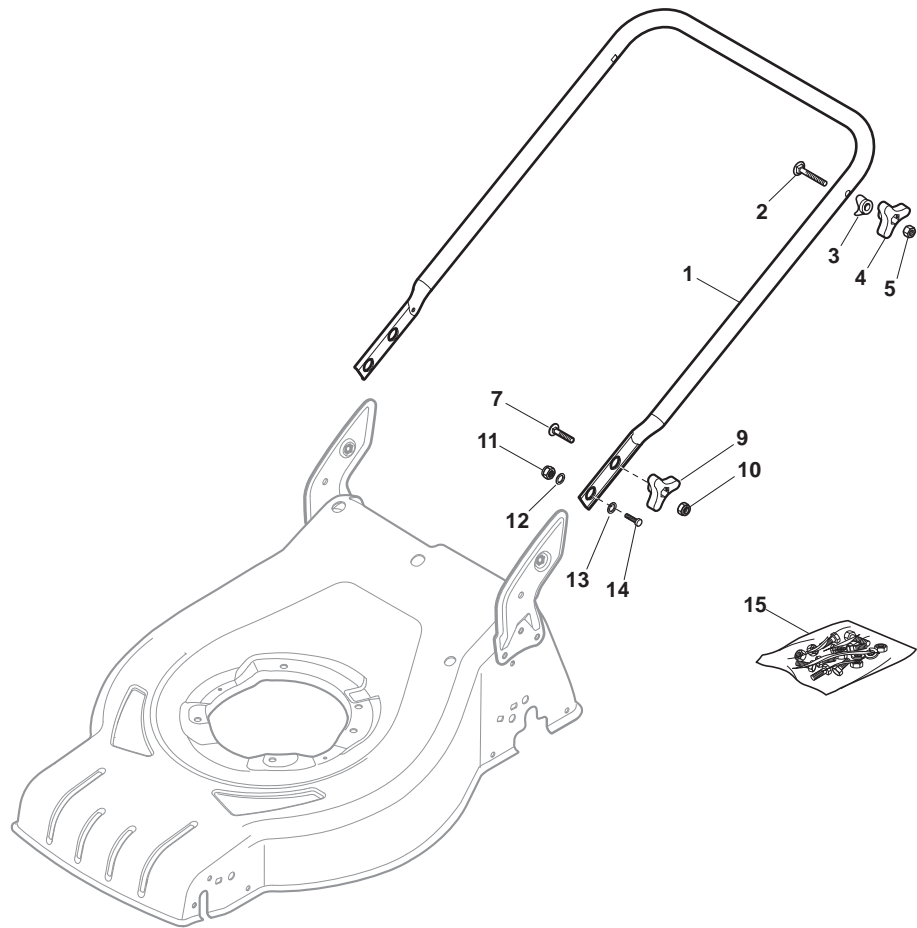
POS	PART. NO	Q.ty	DESCRIPTION	DESCRIZIONE	DESCRIPTION	BESCHREIBUNG	REMARKS
1	322500106/0	1	Front Combi	Pettine Anteriore	Vorne Comb	Peigne Avant	
2	112728698/0	2	Screw	Vite	Vis	Schraube	



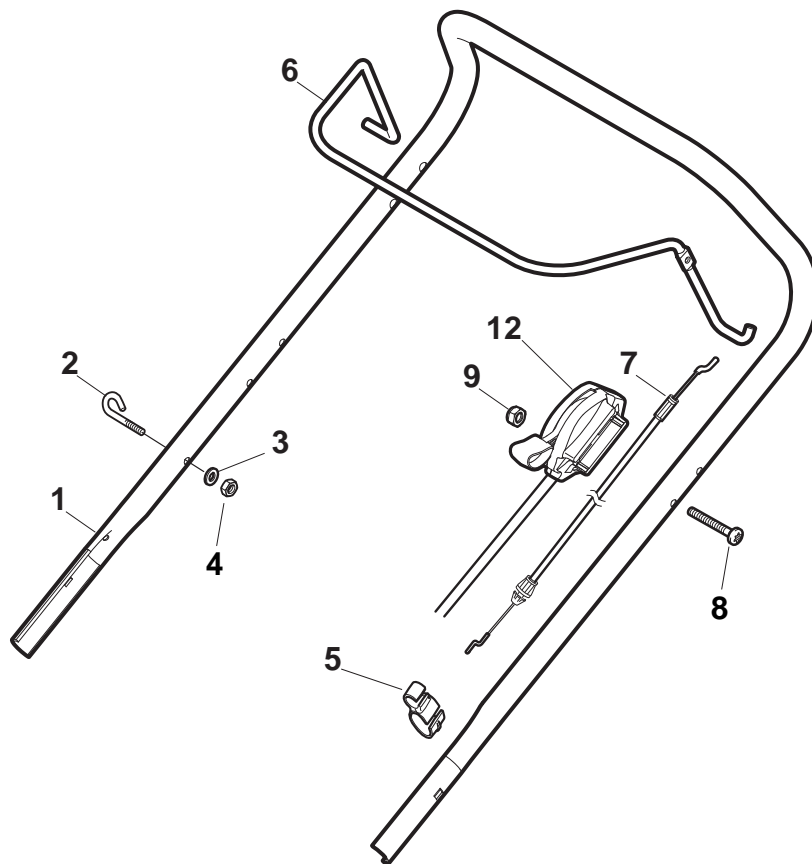
POS	PART. NO	Q.ty	DESCRIPTION	DESCRIZIONE	DESCRIPTION	BESCHREIBUNG	REMARKS
1	322226170/0	1	Mask, Black	Mascherina, Nero	Mesque, Noir	Maske, Schwarz	
2	112728698/0	2	Screw	Vite	Vis	Schraube	



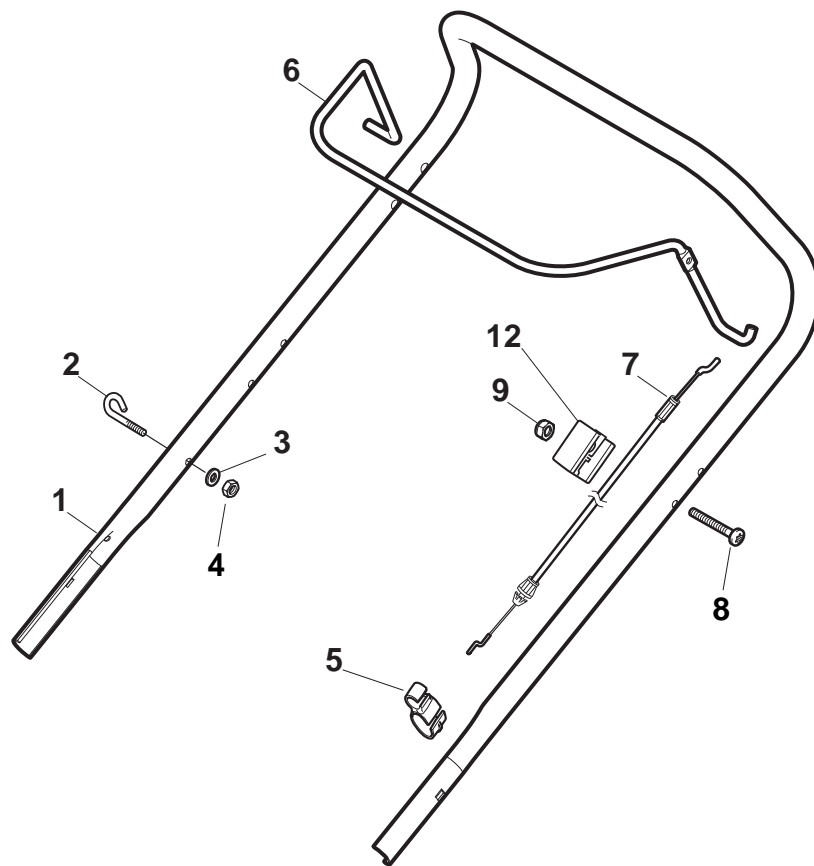
POS	PART. NO	Q.ty	DESCRIPTION	DESCRIZIONE	DESCRIPTION	BESCHREIBUNG	REMARKS
1	322226168/0	1	Mask, Black	Mascherina, Nero	Mesque, Noir	Maske, Schwarz	
2	112728698/0	2	Screw	Vite	Vis	Schraube	



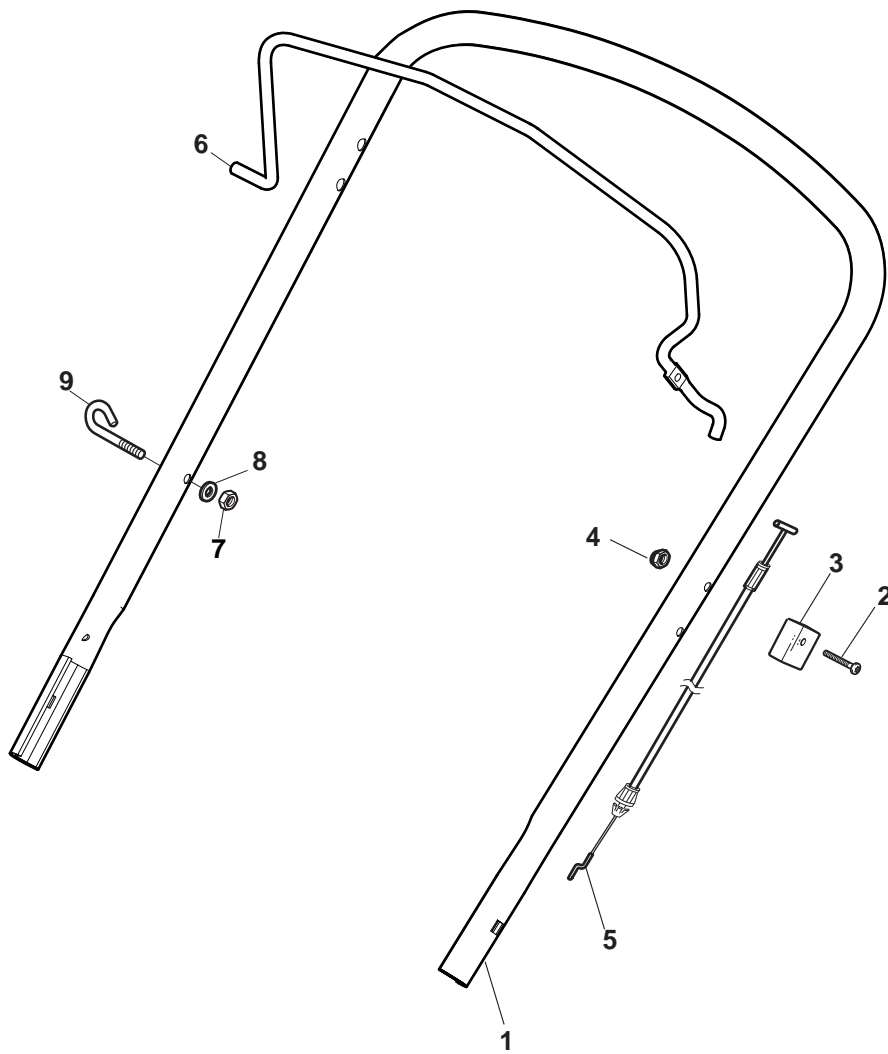
POS	PART. NO	Q.ty	DESCRIPTION	DESCRIZIONE	DESCRIPTION	BESCHREIBUNG	REMARKS
1	381006737/0	1	Handle, Lower Part	Parte Inf Maniglia	Poignée, Partie Inferieure	Griff, Unterteil	
2	112819110/0	2	Screw	Vite	Vis	Schraube	
3	122671651/0	2	Washer	Rosetta	Rondelle	Scheibe	
4	122399900/0	2	Knob, Black	Manopolina	Poignée, Noir	Griff	Black
4	322399840/0	2	Knob, Yellow	Manopolina	Poignée, Jaune	Griff	Yellow
4	322399846/0	2	Knob, Red	Manopolina	Poignée, Rouge	Griff	Red
5	112293200/0	2	Nut	Dado	Ecrou	Mutter	
7	112818900/0	2	Screw	Vite	Vis	Schraube	
9	122399900/0	2	Knob, Black	Manopolina	Poignée, Noir	Griff	Black
9	322399840/0	2	Knob, Yellow	Manopolina	Poignée, Jaune	Griff	Yellow
9	322399846/0	2	Knob, Red	Manopolina	Poignée, Rouge	Griff	Red
10	112293200/0	2	Nut	Dado	Ecrou	Mutter	
11	112155000/0	2	Nut	Dado	Ecrou	Mutter	
12	112521350/0	2	Washer	Rosetta	Rondelle	Scheibe	
13	112369500/0	2	Elastic Washer	Disco Elastico	Disque Elastique	Federscheibe	
14	112760605/0	2	Screw	Vite	Vis	Schraube	
15	381008691/0	1	Screws Outfit, Black	Dotazione Viteria	Dotation Visserie, Noir	Satz, Schrauben	Black
15	381008692/0	1	Screws Outfit, Yellow	Dotazione Viteria	Dotation Visserie, Jaune	Satz, Schrauben	Yellow
15	381008695/0	1	Screws Outfit, Red	Dotazione Viteria	Dotation Visserie, Rouge	Satz, Schrauben	Red



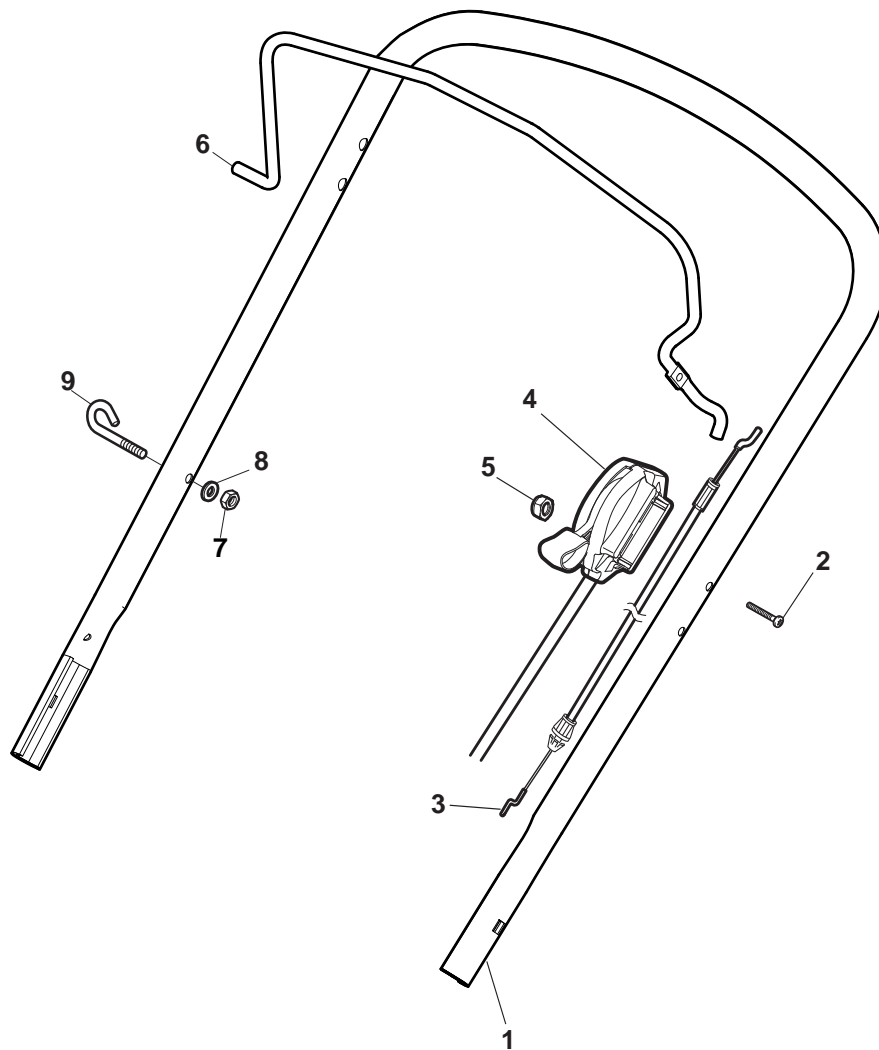
POS	PART. NO	Q.ty	DESCRIPTION	DESCRIZIONE	DESCRIPTION	BESCHREIBUNG	REMARKS
1	381006739/1	1	Handle, Upper Part	Manico, Parte Sup	Mancheron, Partie Superieure	Holm, Oberteil	
1	381006745/1	1	Handle, Upper Part with sponge handgrip	Manico, Parte Sup. con impugantura in spugna	Mancheron, Partie Superieure avec éponge poignée	Holm, Oberteil Handgriff Schwamm	
2	122430313/0	1	Guide Spring	Molla Guida	Ressort De Guide	Feder Führer	
3	112521330/0	1	Washer	Rosetta	Rondelle	Scheibe	
4	112154510/0	1	Nut	Dado	Ecrou	Mutter	
5	118390020/0	1	Fairlead	Fermacavo	Fixation Cable	Kabelbefestigung	
6	181003363/1	1	Lever, Engine Brake Black	Leva Freno Motore Nero	Levier Frein Moteur Noir	Hebel, Motorbremse Schwarz	
6	381003365/0	1	Lever, Engine Brake Yellow	Leva Freno Motore, Giallo	Levier Frein Moteur Jaune	Hebel, Motorbremse, Gelb	
6	381003376/0	1	Lever, Engine Brake Red	Leva Freno Motore, Rosso	Levier Frein Moteur Rouge	Hebel, Motorbremse, Rot	
7	181030054/0	1	Cable, Thread Engine Brake	Cavo Freno Motore	Cable Frein Moteur	Kabel, Motorbremse	GGP150cc
7	181030056/0	1	Cable, Thread Engine Brake	Cavo Freno Motore	Cable Frein Moteur	Kabel, Motorbremse	GGP-B&S Engine
7	181030069/1	1	Cable, Thread Engine Brake	Cavo Freno Motore	Cable Frein Moteur	Kabel, Motorbremse	Honda Engine
8	112727783/0	1	Screw	Vite	Vis	Schraube	
9	112154510/0	1	Nut	Dado	Ecrou	Mutter	
12	181005504/1	1	Throttle Cable	Cavo Acceleratore	Cable, Accelérateur	Gashebel Kabel	GGP150cc
12	181005511/0	1	Throttle Cable	Cavo Acceleratore	Cable, Accelérateur	Gashebel Kabel	B&S
12	181005517/0	1	Throttle Cable	Cavo Acceleratore	Cable, Accelérateur	Gashebel Kabel	GGP-Honda Engine
12	181005526/0	1	Throttle Cable	Cavo Acceleratore	Cable, Accelérateur	Gashebel Kabel	DOV 850
12	181005532/0	1	Throttle Cable	Cavo Acceleratore	Cable, Accelérateur	Gashebel Kabel	GGP100cc
12	181005533/0	1	Throttle Cable	Cavo Acceleratore	Cable, Accelérateur	Gashebel Kabel	B&S E series
12	122450063/0	1	Spring	Molla	Ressort	Feder	



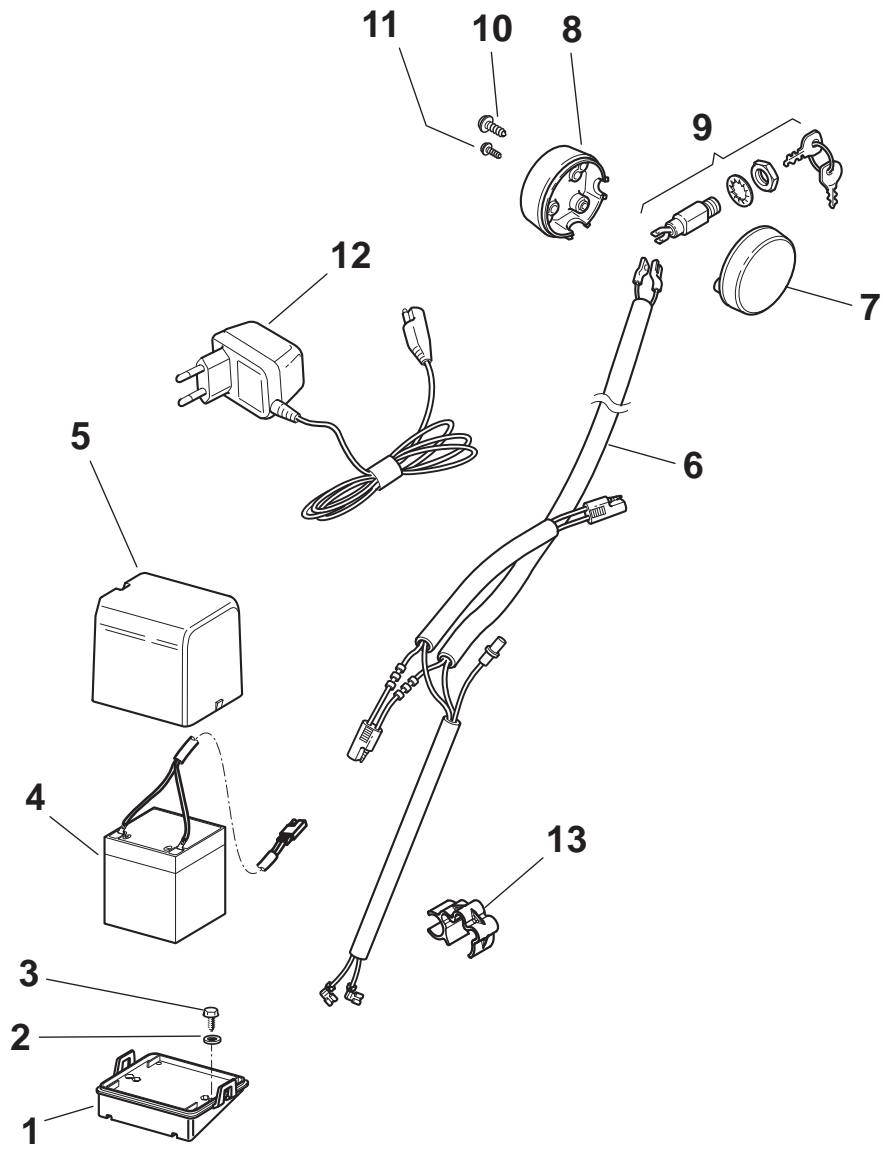
POS	PART. NO	Q.ty	DESCRIPTION	DESCRIZIONE	DESCRIPTION	BESCHREIBUNG	REMARKS
1	381006739/1	1	Handle, Upper Part	Manico, Parte Sup	Mancheron, Partie Superieure	Holm, Oberteil	
1	381006745/1	1	Handle, Upper Part with sponge handgrip	Manico, Parte Sup. con impugantura in spugna	Mancheron, Partie Superieure avec éponge poignée	Holm, Oberteil Handgriff Schwamm	
2	122430313/0	1	Guide Spring	Molla Guida	Ressort De Guide	Feder Führer	
3	112521330/0	1	Washer	Rosetta	Rondelle	Scheibe	
4	112154510/0	1	Nut	Dado	Ecrou	Mutter	
5	118390020/0	1	Fairlead	Fermacavo	Fixation Cable	Kabelbefestigung	
6	181003363/1	1	Lever, Engine Brake Black	Leva Freno Motore Nero	Levier Frein Moteur Noir	Hebel, Motorbremse Schwarz	
6	381003365/0	1	Lever, Engine Brake Yellow	Leva Freno Motore, Giallo	Levier Frein Moteur Jaune	Hebel, Motorbremse, Gelb	
6	381003376/0	1	Lever, Engine Brake Red	Leva Freno Motore, Rosso	Levier Frein Moteur Rouge	Hebel, Motorbremse, Rot	
7	181030054/0	1	Cable, Thread Engine Brake	Cavo Freno Motore	Cable Frein Moteur	Kabel, Motorbremse	GGP150cc
7	181030056/0	1	Cable, Thread Engine Brake	Cavo Freno Motore	Cable Frein Moteur	Kabel, Motorbremse	GGP-B&S Engine
7	181030069/1	1	Cable, Thread Engine Brake	Cavo Freno Motore	Cable Frein Moteur	Kabel, Motorbremse	Honda Engine
8	112727783/0	1	Screw	Vite	Vis	Schraube	
9	112154510/0	1	Nut	Dado	Ecrou	Mutter	
12	322551640/0	1	Plate	Piastrina	Plaquette	Plättchen	



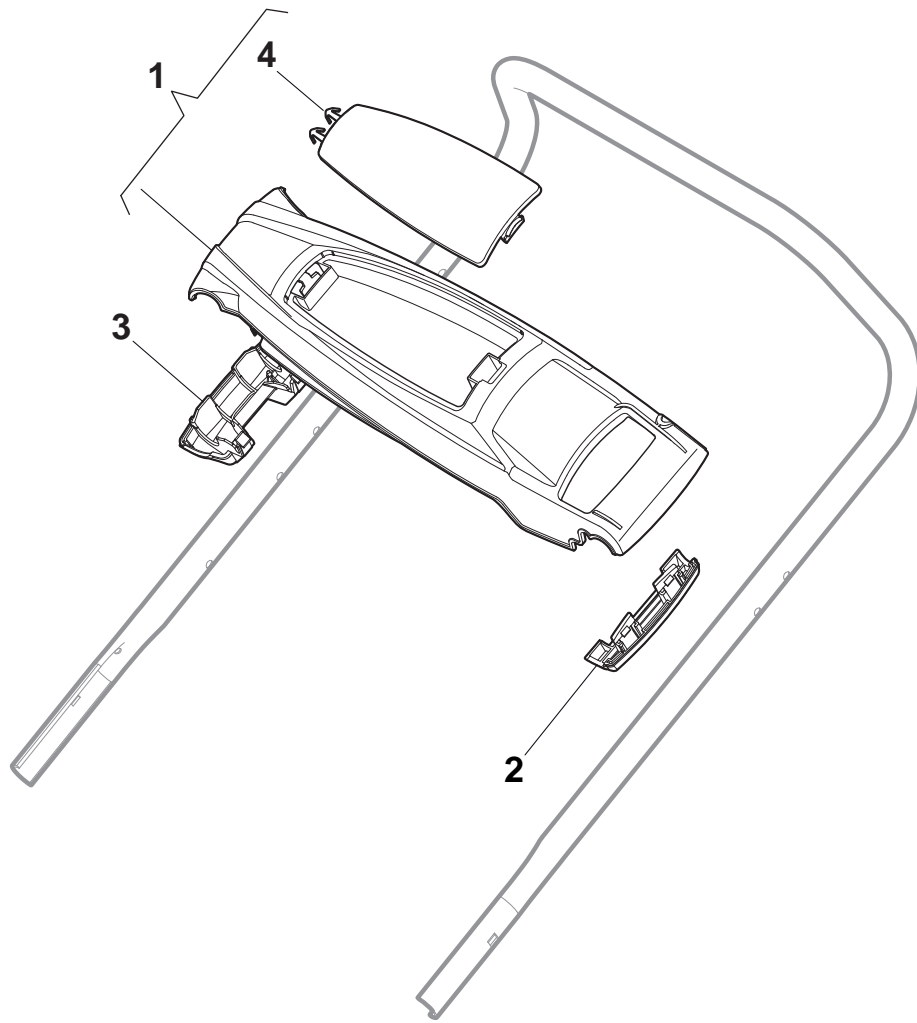
POS	PART. NO	Q.ty	DESCRIPTION	DESCRIZIONE	DESCRIPTION	BESCHREIBUNG	REMARKS
1	381006740/0	1	Handle, Upper Part	Manico, Parte Sup	Mancheron, Partie Superieure	Holm, Oberteil	
2	112727788/0	1	Screw	Vite	Vis	Schraube	
3	322551640/0	1	Plate	Piastrina	Plaquette	Plättchen	
4	112154510/0	1	Nut	Dado	Ecrou	Mutter	
5	181030053/0	1	Cable, Thread Engine Brake	Cavo Freno Motore	Cable Frein Moteur	Kabel, Motorbremse	GGP150cc
5	181030084/0	1	Cable, Thread Engine Brake	Cavo Freno Motore	Cable Frein Moteur	Kabel, Motorbremse	GGP-B&S-Honda
6	181003369/0	1	Lever, Engine Brake	Leva Freno Motore	Levier Frein Moteur	Hebel, Motorbremse	
7	112154510/0	1	Nut	Dado	Ecrou	Mutter	
8	112521330/0	1	Washer	Rosetta	Rondelle	Scheibe	
9	122430313/0	1	Guide Spring	Molla Guida	Ressort De Guide	Feder Führer	



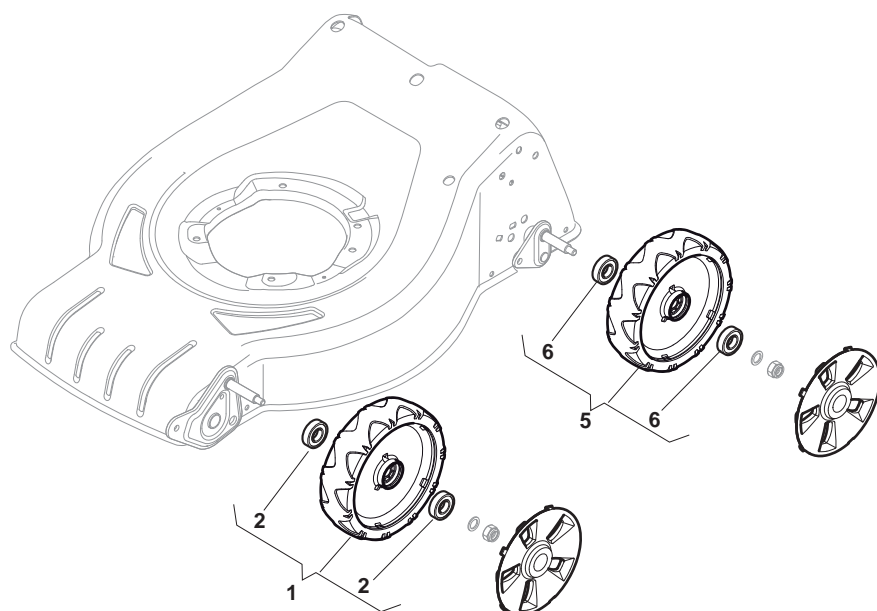
POS	PART. NO	Q.ty	DESCRIPTION	DESCRIZIONE	DESCRIPTION	BESCHREIBUNG	REMARKS
1	381006740/0	1	Handle, Upper Part	Manico, Parte Sup	Mancheron, Partie Superieure	Holm, Oberteil	
2	112727783/0	1	Screw	Vite	Vis	Schraube	
3	181030053/0	1	Cable, Thread Engine Brake	Cavo Freno Motore	Cable Frein Moteur	Kabel, Motorbremse	GGP150cc
3	181030084/0	1	Cable, Thread Engine Brake	Cavo Freno Motore	Cable Frein Moteur	Kabel, Motorbremse	GGP-B&S-Honda
4	181005521/0	1	Throttle Cable	Cavo Acceleratore	Cable, Accelérateur	Gashebel Kabel	GGP150cc
4	181005522/0	1	Throttle Cable	Cavo Acceleratore	Cable, Accelérateur	Gashebel Kabel	B&S Engine
4	181005534/0	1	Throttle Cable	Cavo Acceleratore	Cable, Accelérateur	Gashebel Kabel	GGP100cc
4	181005535/0	1	Throttle Cable	Cavo Acceleratore	Cable, Accelérateur	Gashebel Kabel	GGP-Honda Engine
4	181005536/0	1	Throttle Cable	Cavo Acceleratore	Cable, Accelérateur	Gashebel Kabel	B&S E series
5	112154510/0	1	Nut	Dado	Ecrou	Mutter	
6	181003369/0	1	Lever, Engine Brake	Leva Freno Motore	Levier Frein Moteur	Hebel, Motorbremse	
7	112154510/0	1	Nut	Dado	Ecrou	Mutter	
8	112521330/0	1	Washer	Rosetta	Rondelle	Scheibe	
9	122430313/0	1	Guide Spring	Molla Guida	Ressort De Guide	Feder Führer	



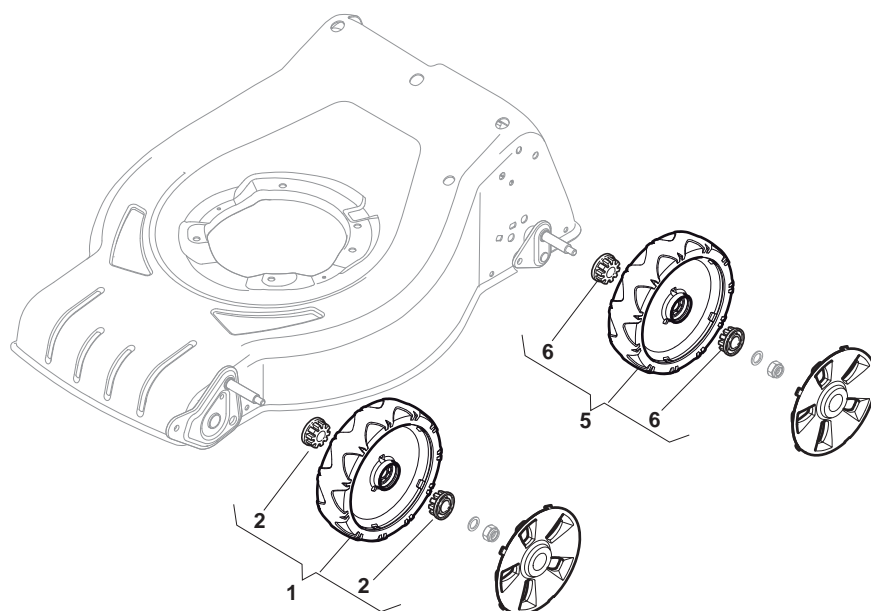
POS	PART. NO	Q.ty	DESCRIPTION	DESCRIZIONE	DESCRIPTION	BESCHREIBUNG	REMARKS
1	322785123/0	1	Support, Battery	Supporto Batteria	Support Batterie	Halter, Batterie	
2	112521310/0	2	Washer	Rosetta	Rondelle	Scheibe	
3	112731590/0	2	Screw	Vite	Vis	Schraube	
4	118120052/0	1	Battery	Batteria	Batterie	Batterie	
5	322109530/0	1	Cover	Capottina	Capot	Haube	
6	118204192/3	1	Cable, Start	Cavo Avviamento	Cable Démarrage	Kabel, Start	
7	322722800/0	1	R Protection	Protezione Dx	Protection D	Rechte Schutz	
8	322722801/0	1	L Protection	Protezione Sx	Protection G	Linke Schutz	
9	118450050/0	1	Switch	Interruttore	Interrupteur	Schalter	
10	112728691/0	1	Screw	Vite	Vis	Schraube	
11	112728702/0	2	Screw	Vite	Vis	Schraube	
12	118204120/0	1	Battery Charger	Carica Batteria	Chargeur De Batterie	Ladgerät	UE Plug
12	118204121/0	1	Battery Charger	Carica Batteria	Chargeur De Batterie	Ladgerät	UK Plug



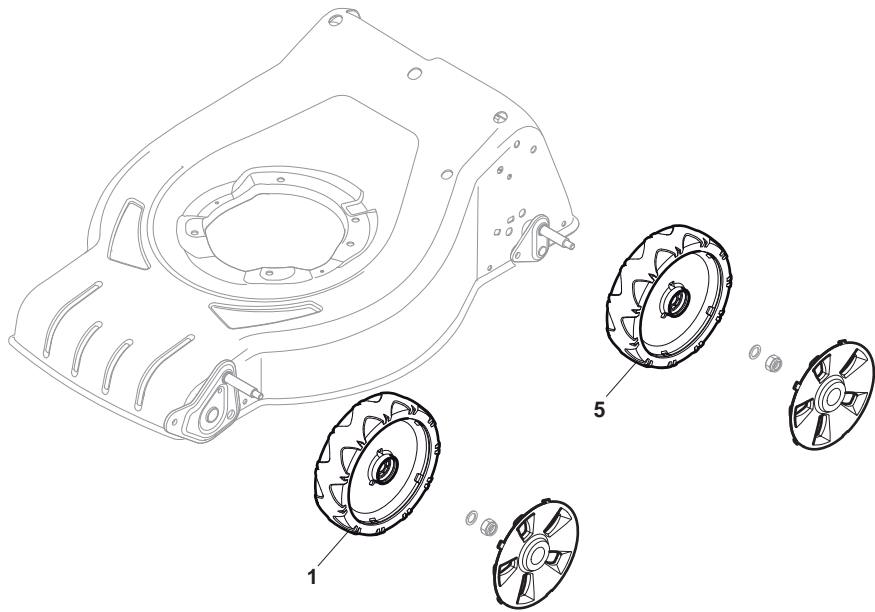
POS	PART. NO	Q.ty	DESCRIPTION	DESCRIZIONE	DESCRIPTION	BESCHREIBUNG	REMARKS
1	381124000/0	1	Dash Board Red	Cruscotto Rosso	Console Rouge	Konsole Rote	Red
1	381124001/0	1	Dash Board Yellow	Cruscotto Giallo	Console Jaune	Konsole Gelbe	Yellow
2	322546055/0	1	Plate	Piastrina	Plaque	Plättchen	Red
2	322546057/0	1	Plate	Piastrina	Plaque	Plättchen	Yellow
3	322546054/0	1	Plate	Piastrina	Plaque	Plättchen	Red
3	322546056/0	1	Plate	Piastrina	Plaque	Plättchen	Yellow
4	322120191/0	1	Dash Board Cover	Copertura Cruscotto	Console Couverture	Konsole Haube	



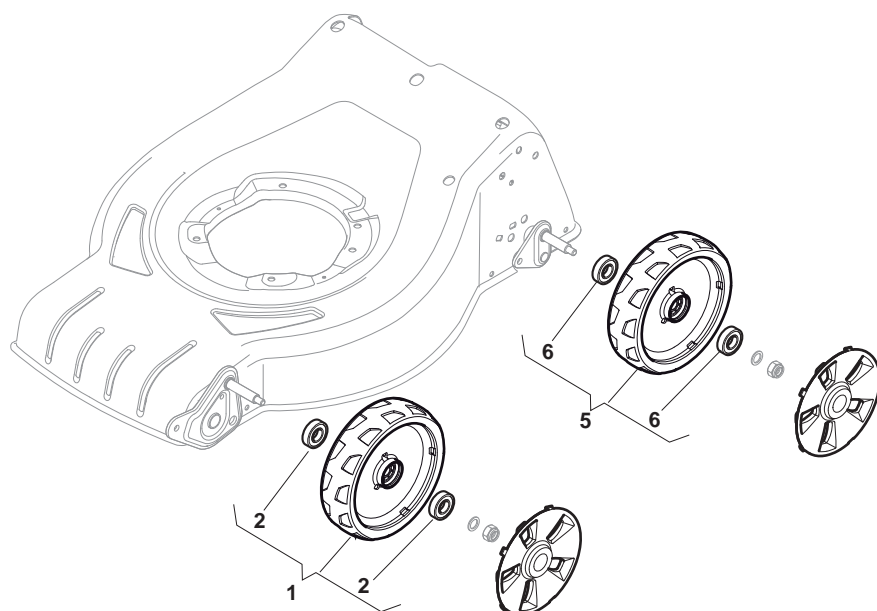
POS	PART. NO	Q.ty	DESCRIPTION	DESCRIZIONE	DESCRIPTION	BESCHREIBUNG	REMARKS
1	381007450/1	2	Wheel Ø 180	Ruota Ø 180	Roue Ø 180	Rad Ø 180	
2	119216035/0	4	Bearing	Cuscinetto	Coussinet	Lager	
5	381007450/1	2	Wheel Ø 180	Ruota Ø 180	Roue Ø 180	Rad Ø 180	
6	119216035/0	4	Bearing	Cuscinetto	Coussinet	Lager	



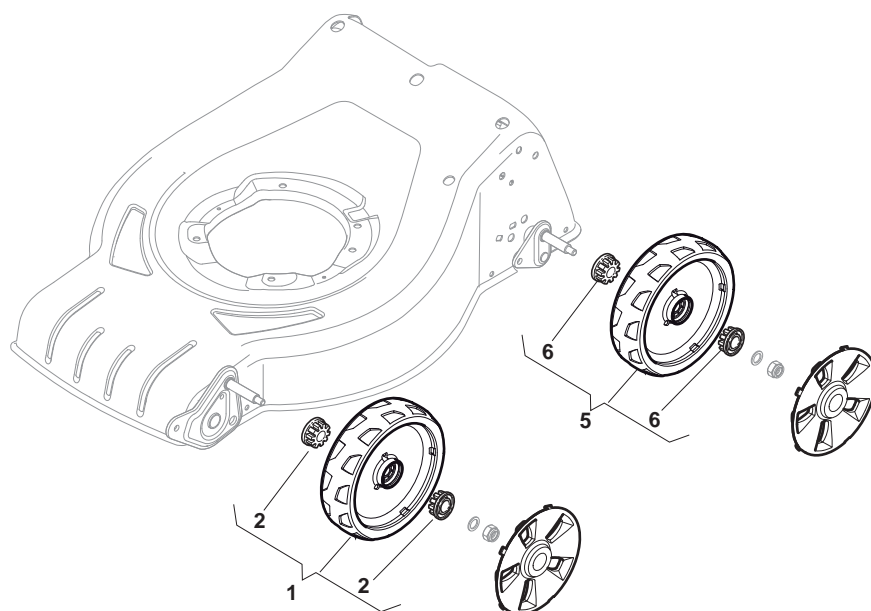
POS	PART. NO	Q.ty	DESCRIPTION	DESCRIZIONE	DESCRIPTION	BESCHREIBUNG	REMARKS
1	381007444/1	2	Wheel Ø 180	Ruota Ø 180	Roue Ø 180	Rad Ø 180	
2	322042064/0	4	Bush	Bussola	Douille	Büchse	
5	381007444/1	2	Wheel Ø 180	Ruota Ø 180	Roue Ø 180	Rad Ø 180	
6	322042064/0	4	Bush	Bussola	Douille	Büchse	



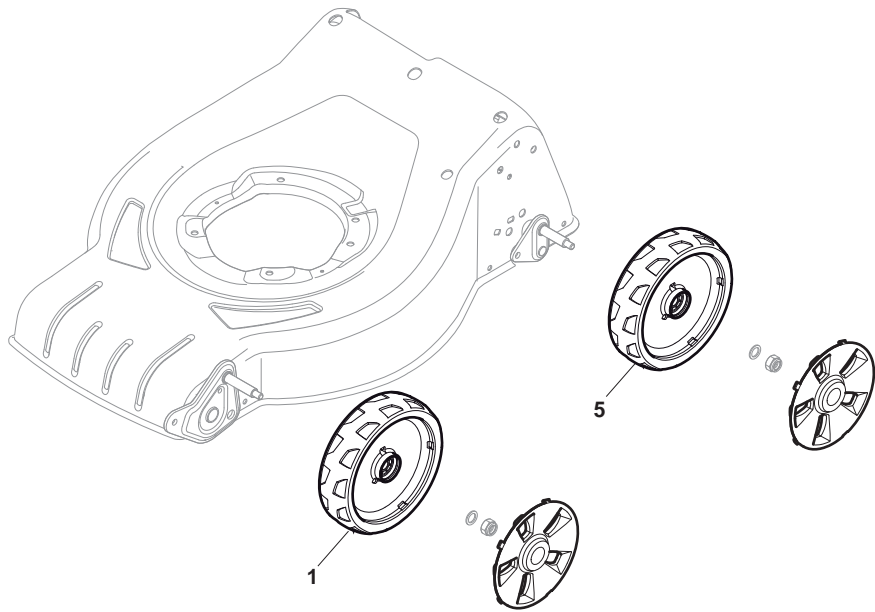
POS	PART. NO	Q.ty	DESCRIPTION	DESCRIZIONE	DESCRIPTION	BESCHREIBUNG	REMARKS
1	381007440/1	2	Wheel Ø 180	Ruota Ø 180	Roue Ø 180	Rad Ø 180	
5	381007440/1	2	Wheel Ø 180	Ruota Ø 180	Roue Ø 180	Rad Ø 180	



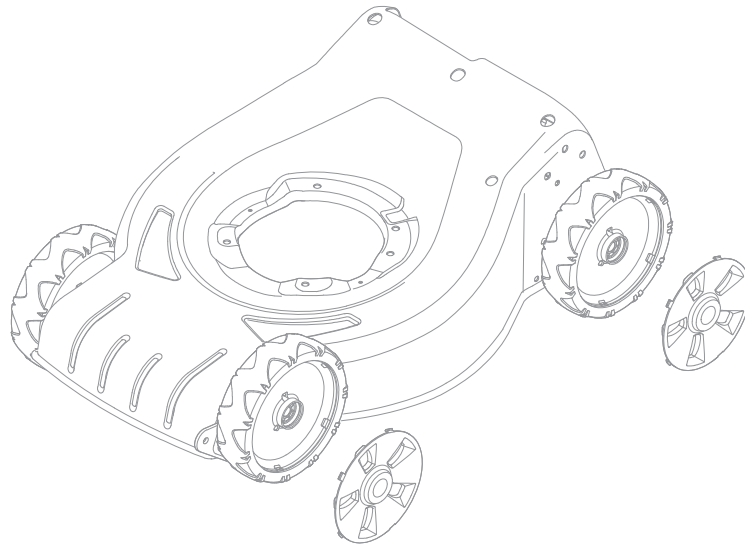
POS	PART. NO	Q.ty	DESCRIPTION	DESCRIZIONE	DESCRIPTION	BESCHREIBUNG	REMARKS
1	381007448/1	2	Wheel Ø 180	Ruota Ø 180	Roue Ø 180	Rad Ø 180	
2	119216035/0	4	Bearing	Cuscinetto	Coussinet	Lager	
5	381007448/1	2	Wheel Ø 180	Ruota Ø 180	Roue Ø 180	Rad Ø 180	
6	119216035/0	4	Bearing	Cuscinetto	Coussinet	Lager	



POS	PART. NO	Q.ty	DESCRIPTION	DESCRIZIONE	DESCRIPTION	BESCHREIBUNG	REMARKS
1	381007442/1	2	Wheel Ø 180	Ruota Ø 180	Roue Ø 180	Rad Ø 180	
2	322042064/0	4	Bush	Bussola	Douille	Büchse	
5	381007442/1	2	Wheel Ø 180	Ruota Ø 180	Roue Ø 180	Rad Ø 180	
6	322042064/0	4	Bush	Bussola	Douille	Büchse	



POS	PART. NO	Q.ty	DESCRIPTION	DESCRIZIONE	DESCRIPTION	BESCHREIBUNG	REMARKS
1	381007438/1	2	Wheel Ø 180	Ruota Ø 180	Roue Ø 180	Rad Ø 180	
5	381007438/1	2	Wheel Ø 180	Ruota Ø 180	Roue Ø 180	Rad Ø 180	



1



2



3



4



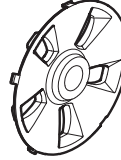
5



6



7

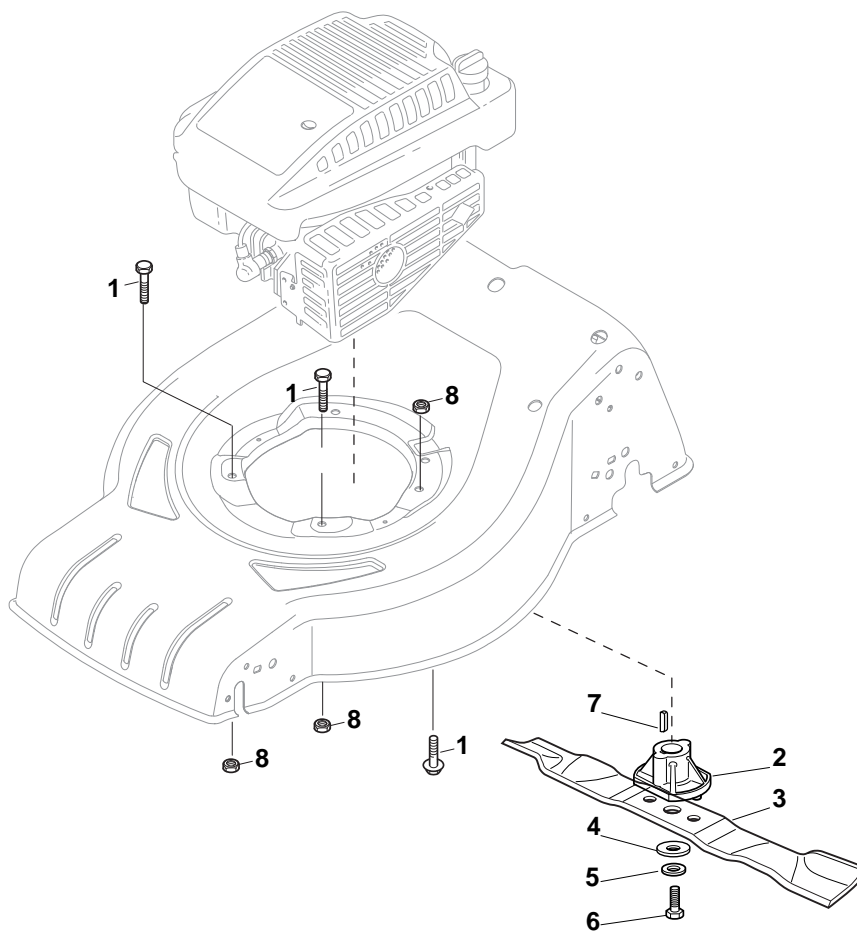


8

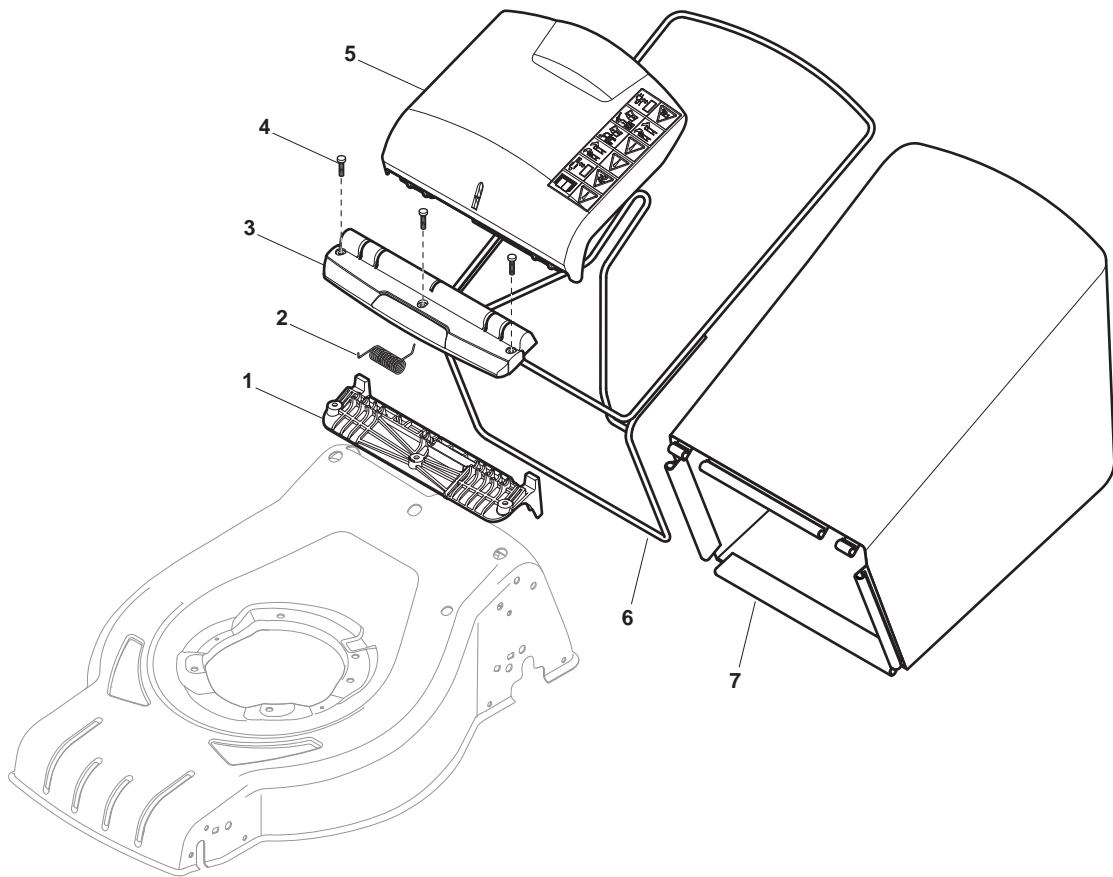


9

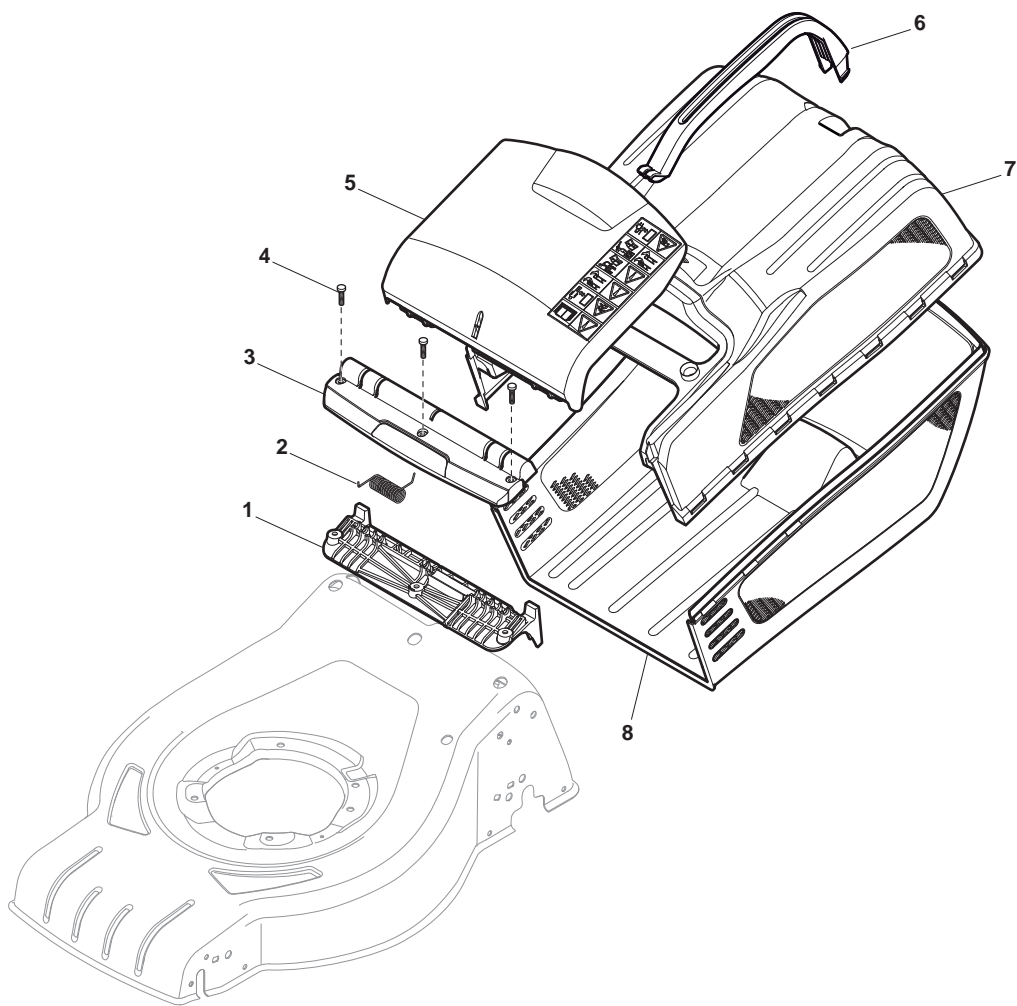
POS	PART. NO	Q.ty	DESCRIPTION	DESCRIZIONE	DESCRIPTION	BESCHREIBUNG	REMARKS
1	322110344/0	4	Hub Cap White	Coprimozzo Bianco	Couvre-Moyeu Blanc	Radkappe Weiß	
1	322110394/0	4	Hub Cap Yellow	Coprimozzo Giallo	Couvre-Moyeu Jaune	Radkappe Gelb	
1	322110395/0	4	Hub Cap Grey	Coprimozzo Grigio	Couvre-Moyeu Gris	Radkappe Grau	
2	322110347/0	4	Hub Cap Grey	Coprimozzo Grigio	Couvre-Moyeu Gris	Radkappe Grau	
3	322110381/0	4	Hub Cap Grey	Coprimozzo Grigio	Couvre-Moyeu Gris	Radkappe Grau	
4	322110416/0	4	Hub Cap Grey	Coprimozzo Grigio	Couvre-Moyeu Gris	Radkappe Grau	
4	322110613/0	4	Hub Cap Red	Coprimozzo Rosso	Couvre-Moyeu Rouge	Radkappe Rot	
5	322110651/0	4	Hub Cap Yellow	Coprimozzo Giallo	Couvre-Moyeu Jaune	Radkappe Gelb	
5	322110491/0	4	Hub Cap Grey	Coprimozzo Grigio	Couvre-Moyeu Gris	Radkappe Grau	
6	322110593/0	4	Hub Cap Yellow	Coprimozzo Giallo	Couvre-Moyeu Jaune	Radkappe Gelb	
6	322110493/0	4	Hub Cap Grey	Coprimozzo Grigio	Couvre-Moyeu Gris	Radkappe Grau	
7	322110495/0	4	Hub Cap Grey	Coprimozzo Grigio	Couvre-Moyeu Gris	Radkappe Grau	
8	322110636/0	4	Hub Cap Grey	Coprimozzo Grigio	Couvre-Moyeu Gris	Radkappe Grau	
9	322110638/0	4	Hub Cap Grey	Coprimozzo Grigio	Couvre-Moyeu Gris	Radkappe Grau	
9	322110647/0	4	Hub Cap Yellow	Coprimozzo Giallo	Couvre-Moyeu Jaune	Radkappe Gelb	



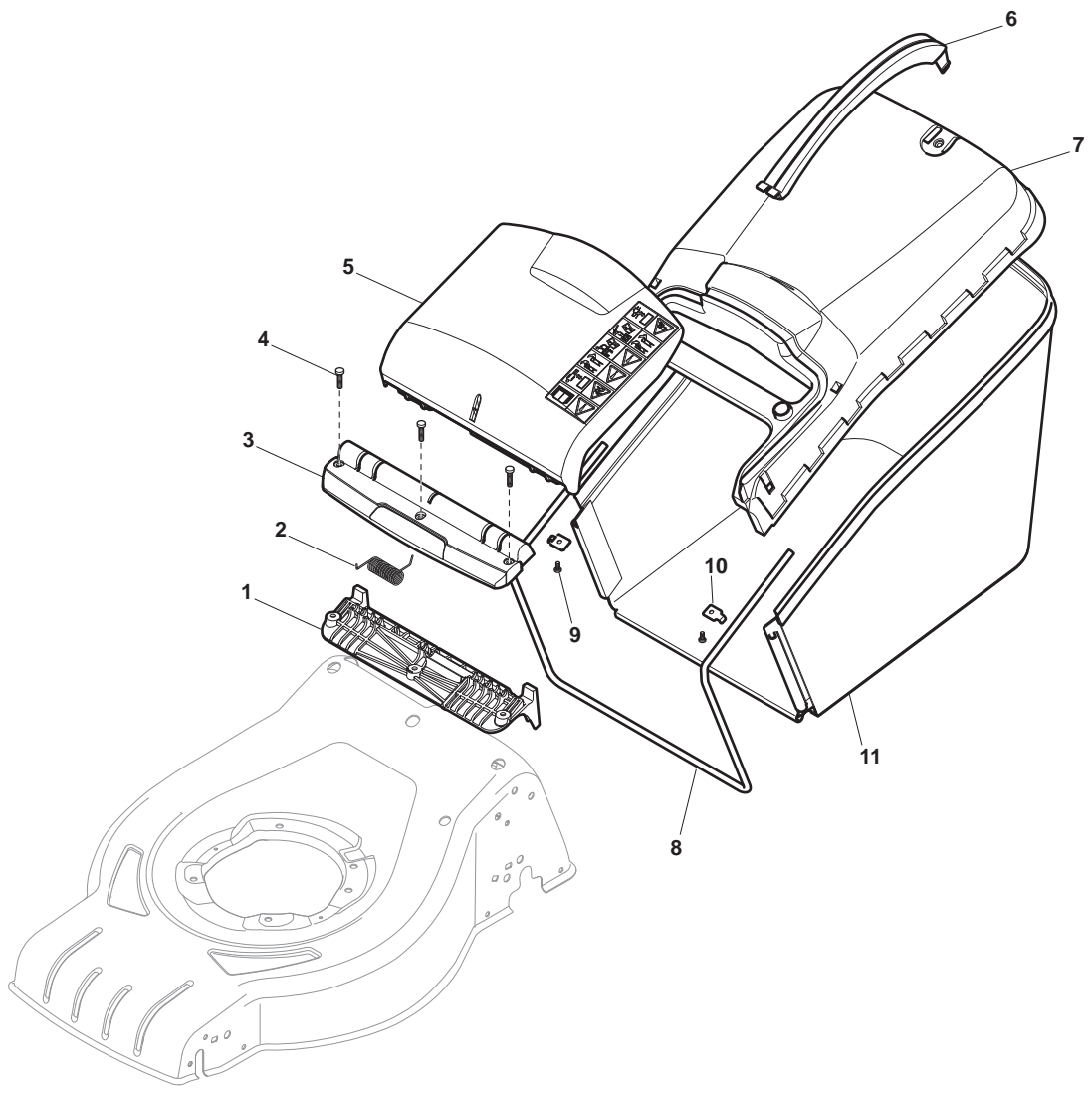
POS	PART. NO	Q.ty	DESCRIPTION	DESCRIZIONE	DESCRIPTION	BESCHREIBUNG	REMARKS
1	112691100/0	2	Screw	Vite	Vis	Schraube	B&S Engine
1	112691800/0	1	Screw	Vite	Vis	Schraube	B&S Engine
1	112793701/0	3	Screw	Vite	Vis	Schraube	B&S 450
2	122463012/2	1	Hub, Crankshaft Ø 22.2	Mozzo, Albero Motore Ø 22.2	Moyeu, Arbre Moteur Ø 22.2	Nabe, Motorwelle Ø 22.2	GGP-B&S
2	122463020/1	1	Hub, Crankshaft Ø 25	Mozzo, Albero Motore Ø 25	Moyeu, Arbre Moteur Ø 25	Nabe, Motorwelle Ø 25	Honda
3	181004346/3	1	Blade Standard	Coltello Standard	Lame Standard	Messer Standard	
4	122160400/0	1	Elastic Washer	Disco Elastico	Disque Elastique	Federscheibe	
5	112523080/0	1	Washer	Rosetta	Rondelle	Scheibe	
6	112735698/0	1	Screw	Vite	Vis	Schraube	
7	112139100/0	1	Feather, Crankshaft Ø 22.2	Linguetta, Albero Motore Ø 22.2	Clavette, Arbre Moteur Ø 22.2	Keil, Motorwelle Ø 22.2	GGP-B&S
7	112139150/0	1	Feather, Crankshaft Ø 25	Linguetta, Albero Motore Ø 25	Clavette, Arbre Moteur Ø 25	Keil, Motorwelle Ø 25	Honda
8	112154210/0	3	Screw	Vite	Vis	Schraube	



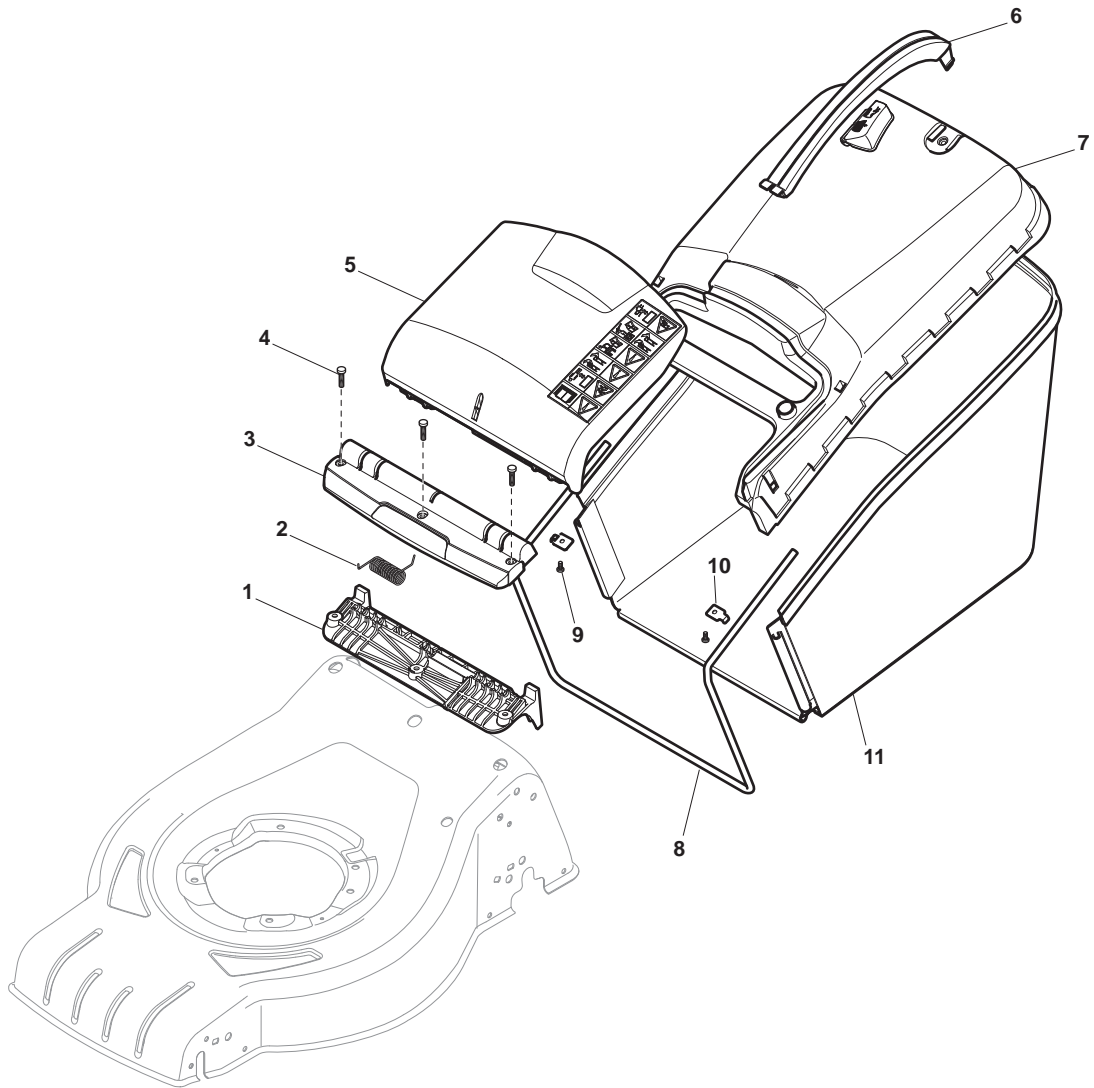
POS	PART. NO	Q.ty	DESCRIPTION	DESCRIZIONE	DESCRIPTION	BESCHREIBUNG	REMARKS
1	322785331/0	1	Support	Supporto	Support	Halter	
2	122450464/0	1	Spring	Molla	Ressort	Feder	
3	322109554/0	1	Cover, Black	Copertura Nero	Couvre, Noir	Kappe, Schwarz	Black
3	322109556/0	1	Cover, Yellow	Capottina Gialla	Capot Jaune	Haube Gelb	Yellow
3	322109557/0	1	Cover, Grey	Capottina Grigio	Capot Gris	Haube Grau	Grey
4	112728699/0	3	Screw	Vite	Vis	Schraube	
5	322600206/1	1	Stone-Guard Black	Parasassi Nero	Pare-Pierres, Noir	Prallblech, Schwarz	Black
5	322600214/1	1	Stone-Guard Yellow	Parasassi Giallo	Pare-Pierres, Jaune	Prallblech, Gelb	Yellow
5	322600216/1	1	Stone-Guard Grey	Parasassi Grigio	Pare-Pierres, Gris	Prallblech, Grau	Grey
6	181006409/0	1	Chassis Box	Telaio Sacco	Châssis Bac	Rahmen Sack	
7	181002319/0	1	Box, Fabric	Sacco, Tela	Sac, Toile	Sack, Tuck	



POS	PART. NO	Q.ty	DESCRIPTION	DESCRIZIONE	DESCRIPTION	BESCHREIBUNG	REMARKS
1	322785331/0	1	Support	Supporto	Support	Halter	
2	122450464/0	1	Spring	Molla	Ressort	Feder	
3	322109554/0	1	Cover, Black	Copertura, Nero	Couvre, Noir	Kappe, Schwarz	Black
3	322109556/0	1	Cover, Yellow	Capottina Gialla	Capot Jaune	Haube Gelb	Yellow
3	322109557/0	1	Cover, Grey	Capottina Grigio	Capot Jaune	Haube Gelb	Grey
4	112728699/0	3	Screw	Vite	Vis	Schraube	
5	322600206/1	1	Stone-Guard Black	Parasassi Nero	Pare-Pierres, Noir	Prallblech, Schwarz	Black
5	322600214/1	1	Stone-Guard Yellow	Parasassi Giallo	Pare-Pierres, Jaune	Prallblech, Gelb	Yellow
5	322600216/1	1	Stone-Guard Grey	Parasassi Grigio	Pare-Pierres, Gris	Prallblech, Grau	Grey
6	322393643/0	1	Handle, Black	Maniglia Nera	Poignée Noir	Griff Schwarz	Black
6	322393645/0	1	Handle, Grey	Maniglia Grigio	Poignée Gris	Griff, Grau	Grey
7	322486263/0	1	Grass-Box, Upper Part	Sacco, Parte Superiore	Sac, Partie Superieure	Korb, Oberteil	Grey
7	322486260/0	1	Grass-Box, Upper Part	Sacco, Parte Superiore	Sac, Partie Superieure	Korb, Oberteil	Black
8	322486267/0	1	Grass-Box, Upper Part	Sacco, Parte Superiore	Sac, Partie Superieure	Korb, Oberteil	Grey
8	322486261/0	1	Grass-Box, Upper Part	Sacco, Parte Superiore	Sac, Partie Superieure	Korb, Oberteil	Black



POS	PART. NO	Q.ty	DESCRIPTION	DESCRIZIONE	DESCRIPTION	BESCHREIBUNG	REMARKS
1	322785331/0	1	Support	Supporto	Support	Halter	
2	122450464/0	1	Spring	Molla	Ressort	Feder	
3	322109554/0	1	Cover, Black	Copertura, Nero	Couvre, Noir	Kappe, Schwarz	Black
3	322109556/0	1	Cover, Yellow	Capottina Gialla	Capot Jaune	Haube Gelb	Yellow
3	322109557/0	1	Cover, Grey	Capottina Grigio	Capot Gris	Haube Gelb	Grey
4	112728699/0	3	Screw	Vite	Vis	Schraube	
5	322600206/1	1	Stone-Guard Black	Parasassi Nero	Pare-Pierres, Noir	Prallblech, Schwarz	Black
5	322600214/1	1	Stone-Guard Yellow	Parasassi Giallo	Pare-Pierres, Jaune	Prallblech, Gelb	Yellow
5	322600216/1	1	Stone-Guard Grey	Parasassi Grigio	Pare-Pierres, Gris	Prallblech, Grau	Grey
6	322393646/0	1	Handle, Yellow	Maniglia, Gialla	Poignée, Jaune	Griff, Gelb	Yellow
6	322393649/0	1	Handle, Grey	Maniglia Grigio	Poignée Gris	Griff, Grau	Grey
6	322393644/0	1	Handle, Black	Maniglia Nera	Poignée Noir	Griff Schwarz	Black
7	322486264/0	1	Grass-Box, Upper Part	Sacco, Parte Superiore	Sac, Partie Superieure	Korb, Oberteil	Yellow
7	322486270/0	1	Grass-Box, Upper Part	Sacco, Parte Superiore	Sac, Partie Superieure	Korb, Oberteil	Grey
7	322486262/0	1	Grass-Box, Upper Part	Sacco, Parte Superiore	Sac, Partie Superieure	Korb, Oberteil	Black
8	122608561/0	1	Stiffening Lower	Rinforzo Inf	Réinforcement Inf	Verstärkung Untere	
9	112728692/0	2	Screw	Vite	Vis	Schraube	
10	322545159/0	2	Plate	Piastrina	Plaquette	Plättchen	
11	181002318/0	1	Box, Fabric	Sacco, Tela	Sac, Toile	Sack, Tuck	



POS	PART. NO	Q.ty	DESCRIPTION	DESCRIZIONE	DESCRIPTION	BESCHREIBUNG	REMARKS
1	322785331/0	1	Support	Supporto	Support	Halter	
2	122450464/0	1	Spring	Molla	Ressort	Feder	
3	322109554/0	1	Cover, Black	Copertura, Nero	Couvre, Noir	Kappe, Schwarz	Black
3	322109556/0	1	Cover, Yellow	Capottina Gialla	Capot Jaune	Haube Gelb	Yellow
4	112728699/0	3	Screw	Vite	Vis	Schraube	
5	322600206/1	1	Stone-Guard Black	Parasassi Nero	Pare-Pierres	Prallblech	Black
5	322600214/1	1	Stone-Guard Yellow	Parasassi Giallo	Pare-Pierres, Jaune	Prallblech, Gelb	Yellow
6	322393644/0	1	Handle, Black	Maniglia, Nero	Poignee, Noir	Griff, Schwarz	Black
6	322393646/0	1	Handle, Yellow	Maniglia, Gialla	Poignee, Jaune	Griff, Gelb	Yellow
7	381486016/0A	1	Grass-Box, Upper Part	Sacco, Parte Superiore	Sac, Partie Superieure	Korb, Oberteil	Yellow
7	381486018/0	1	Grass-Box, Upper Part	Sacco, Parte Superiore	Sac, Partie Superieure	Korb, Oberteil	Black
8	122608561/0	1	Stiffening Lower	Rinforzo Inf	Réinforcement Inf	Verstärkung Untere	
9	112728692/0	2	Screw	Vite	Vis	Schraube	
10	322545159/0	2	Plate	Piastrina	Plaquette	Plättchen	
11	181002318/0	1	Box, Fabric	Sacco, Tela	Sac, Toile	Sack, Tuck	