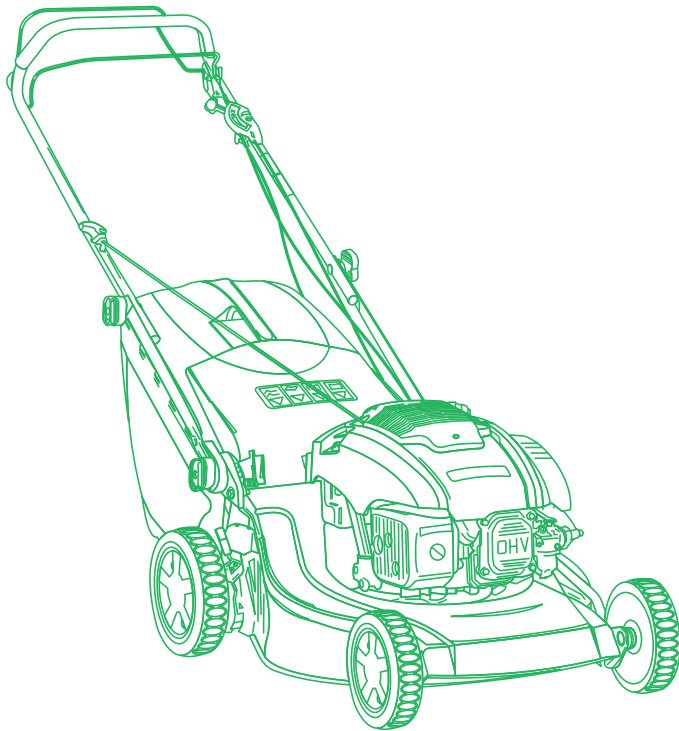


ILLUSTRATED PARTS LIST

CRL-CSL 484 WSE CRL-CSL 484 WSQE



- Use GLOBAL GARDEN PRODUCT Genuine Spare Parts specified in the parts list for repair and/or replacement.
- The contents described in the parts list may change due to improvement.
- The drawings of the spare parts are only indicative and might not represent the part in question exactly.
- The indications "right" - "left" - "front" - "rear" refer to the position of the operator when using the machine.
- When placing orders of parts for repair and/or replacement, make sure that the illustrated parts list is the one applying to the machine's year of manufacture, as shown on the identification plate attached to the machine.

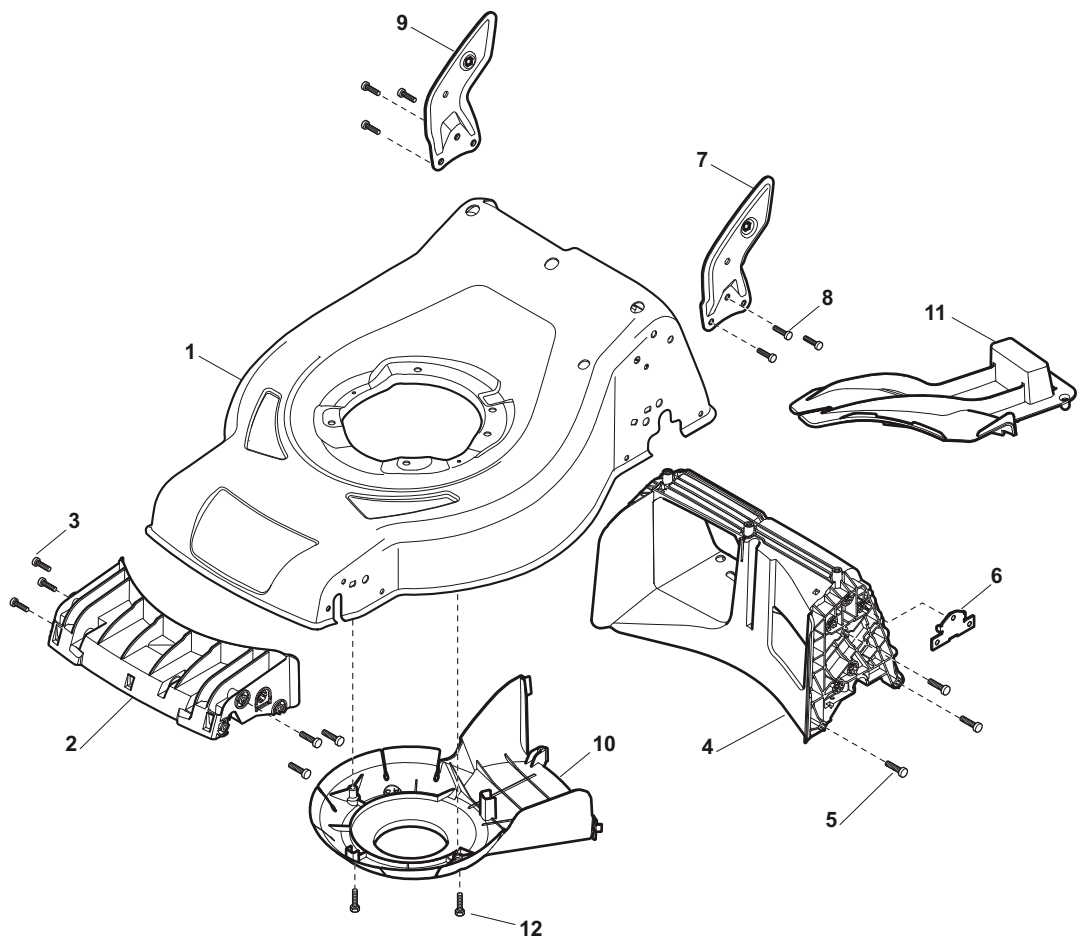
© Copyright 2012 Global Garden Products

All content is subject to copyright by Global Garden Products and may not be reproduced in whole or in part by any means, electronic or otherwise, without prior written approval.

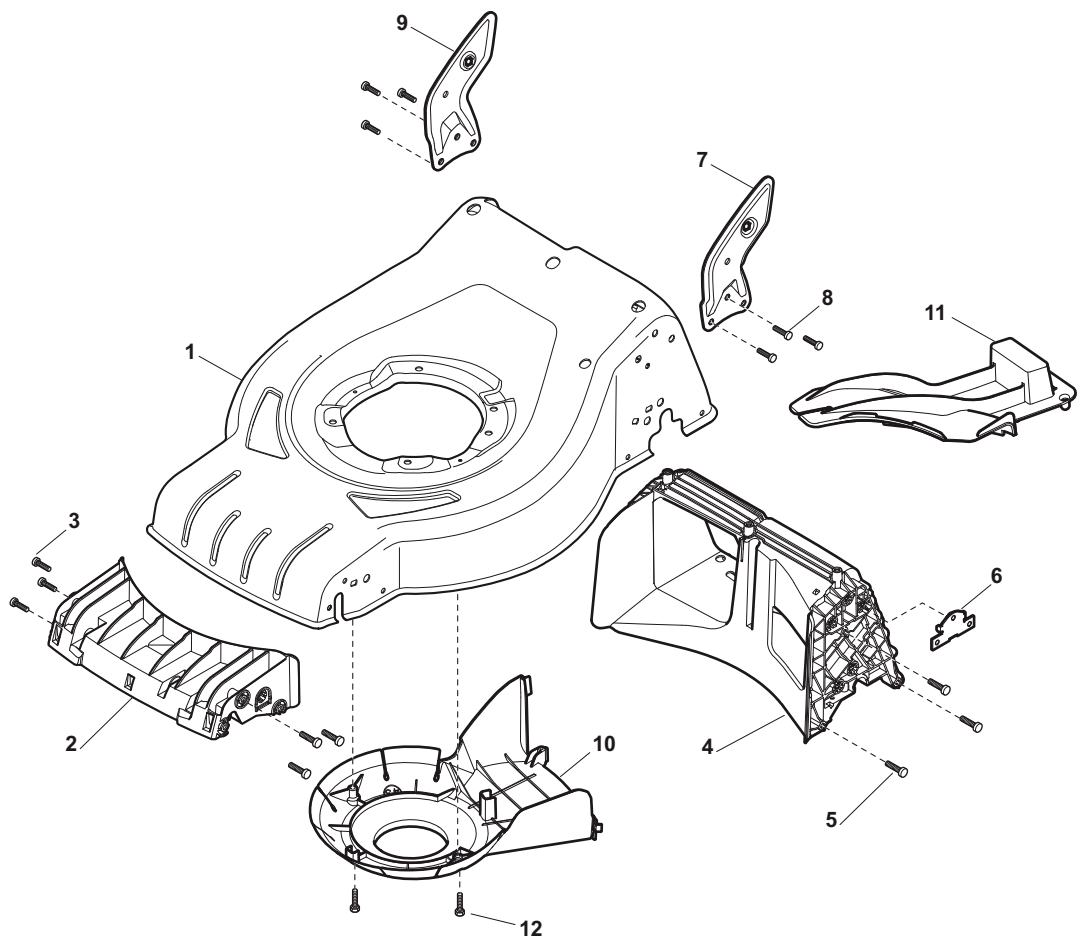
THIS INFORMATION IS NOT INTENDED FOR SALE OR RESALE, AND THIS NOTICE MUST REMAIN ON ALL COPIES.



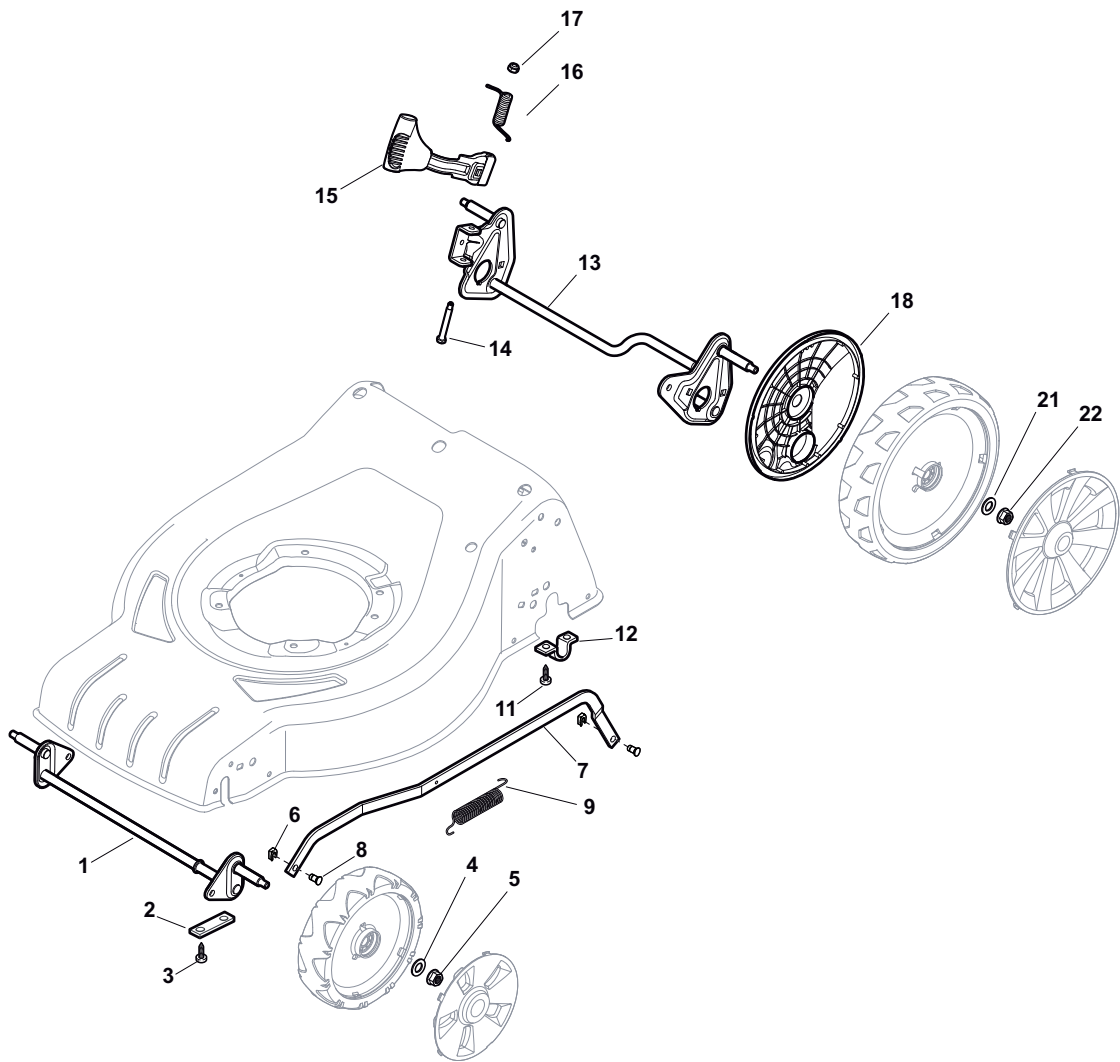
GLOBAL GARDEN PRODUCTS



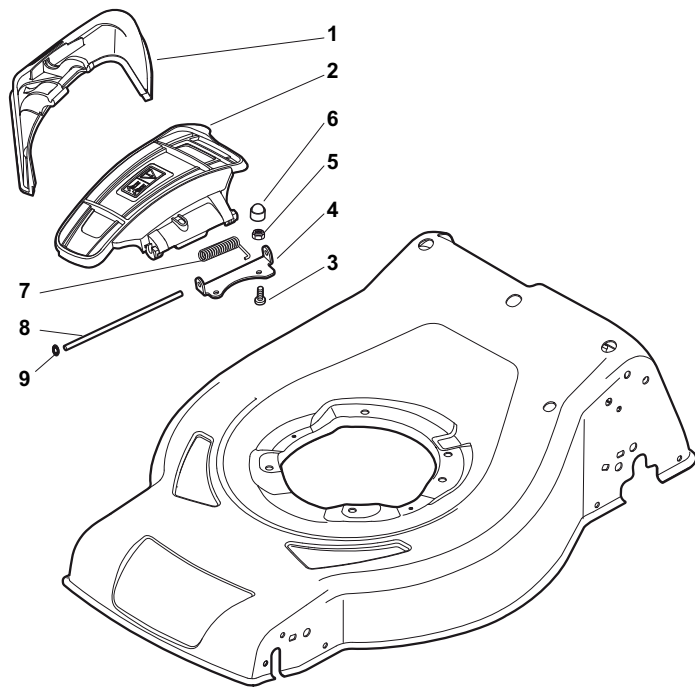
| POS | PART. NO | Q.ty | DESCRIPTION | DESCRIZIONE | DESCRIPTION | BESCHREIBUNG | REMARKS |
|-----|-------------|------|---------------------|---------------------|----------------------|-----------------------|----------------|
| 1 | 381004020/0 | 1 | Deck Red | Chassis Rosso | Châssis Rouge | Gehäuse Rot | |
| 1 | 381004051/0 | 1 | Deck Black | Chassis Nero | Châssis Noir | Gehäuse Schwarz | |
| 1 | 381004548/0 | 1 | Deck Red | Chassis Rosso | Châssis Rouge | Gehäuse Rot | Side Discharge |
| 2 | 322108301/0 | 1 | Front Conveyor Assy | Convogl. Anteriore | Ens. Convoyeur Avant | Hinterleitblechvorder | |
| 3 | 112728699/0 | 6 | Screw | Vite | Vis | Schraube | |
| 4 | 322108302/0 | 1 | Rear Conveyor Assy | Convogl. Posteriore | Ens. Convoyeur Post. | Hinterleitblechsatz | |
| 5 | 112728699/0 | 6 | Screw | Vite | Vis | Schraube | |
| 6 | 322545213/0 | 2 | Plate | Piastrina | Plaquette | Platte | |
| 7 | 381005139/0 | 1 | Bracket, L | Staffa Sx | Bride G | Pratze, Linke | |
| 8 | 112727801/0 | 6 | Screw | Vite | Vis | Schraube | |
| 9 | 381005137/0 | 1 | Bracket, R | Staffa Dx | Bride D | Pratze, Rechte | |
| 10 | 322060242/0 | 1 | Protection, Belt | Carter Cinghia | Protection Courroire | Schutz, Riemen | |
| 11 | 322140239/0 | 1 | Deflector | Deflettore | Deflecteur | Deflektor | |
| 12 | 12728530/0 | 2 | Screw | Vite | Vis | Schraube | |



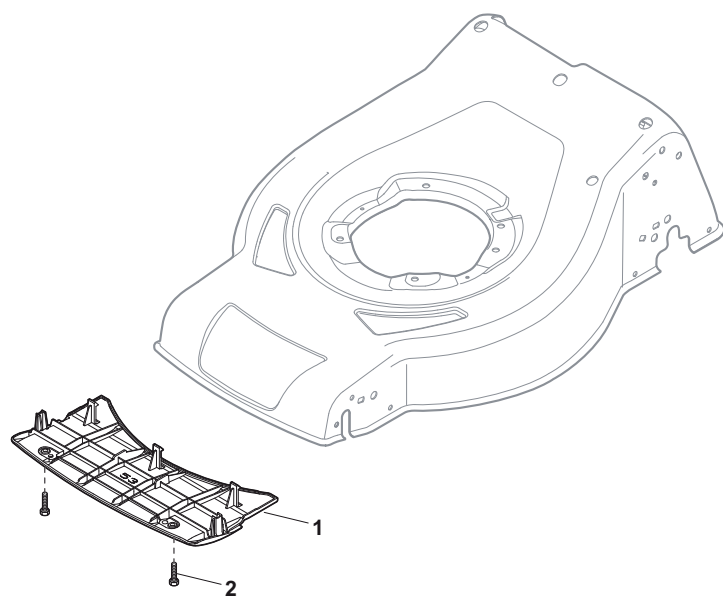
| POS | PART. NO | Q.ty | DESCRIPTION | DESCRIZIONE | DESCRIPTION | BESCHREIBUNG | REMARKS |
|-----|-------------|------|---------------------|---------------------|----------------------|-----------------------|----------------|
| 1 | 381004018/0 | 1 | Deck Red | Chassis Rosso | Châssis Rouge | Gehäuse Rot | |
| 1 | 381004024/0 | 1 | Deck Black | Chassis Nero | Châssis Noir | Gehäuse Schwarz | |
| 1 | 381004613/0 | 1 | Deck Red | Chassis Rosso | Châssis Rouge | Gehäuse Rot | Side Discharge |
| 2 | 322108301/0 | 1 | Front Conveyor Assy | Convogl. Anteriore | Ens. Convoyeur Avant | Hinterleitblechvorder | |
| 3 | 112728699/0 | 6 | Screw | Vite | Vis | Schraube | |
| 4 | 322108302/0 | 1 | Rear Conveyor Assy | Convogl. Posteriore | Ens. Convoyeur Post. | Hinterleitblechsatz | |
| 5 | 112728699/0 | 6 | Screw | Vite | Vis | Schraube | |
| 6 | 322545213/0 | 2 | Plate | Piastrina | Plaquette | Platte | |
| 7 | 381005139/0 | 1 | Bracket, L | Staffa Sx | Bride G | Pratze, Linke | |
| 8 | 112727801/0 | 6 | Screw | Vite | Vis | Schraube | |
| 9 | 381005137/0 | 1 | Bracket, R | Staffa Dx | Bride D | Pratze, Rechte | |
| 10 | 322060242/0 | 1 | Protection, Belt | Carter Cinghia | Protection Courroire | Schutz, Riemen | |
| 11 | 322140239/0 | 1 | Deflector | Deflettore | Deflecteur | Deflektor | |
| 12 | 12728530/0 | 2 | Screw | Vite | Vis | Schraube | |



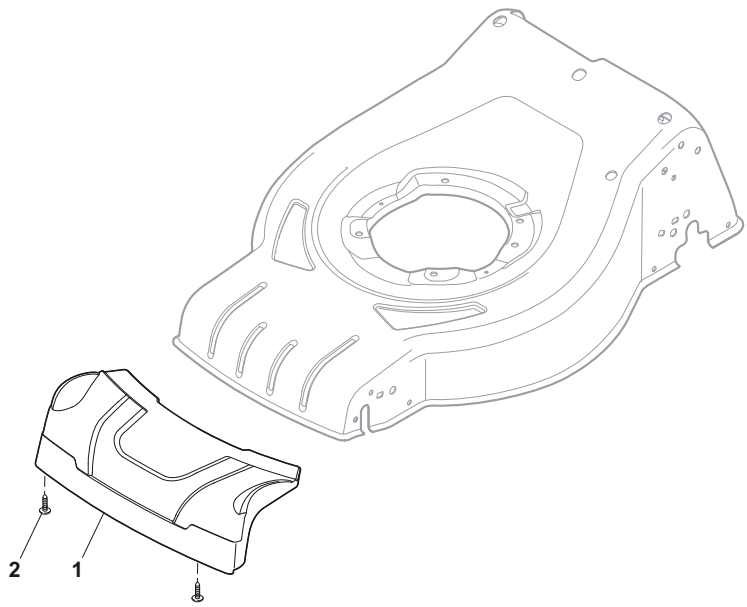
| POS | PART. NO | Q.ty | DESCRIPTION | DESCRIZIONE | DESCRIPTION | BESCHREIBUNG | REMARKS |
|-----|-------------|------|--------------------------|-----------------------------|-------------------------------|-------------------------|---------------|
| 1 | 381302821/0 | 1 | Axle, Front Wheels | Asse Ruote Anteriori | Axe Roues Avant | Achse, Vorderrad | |
| 2 | 22545142/0 | 2 | Plate | Piastrina | Plaquette | Platte | |
| 3 | 112728698/0 | 4 | Screw | Vite | Vis | Schraube | |
| 4 | 12521350/0 | 2 | Washer | Rosetta | Rondelle | Scheibe | |
| 5 | 12155000/0 | 2 | Nut | Dado | Ecrou | Mutter | |
| 6 | 112436051/0 | 2 | Plate | Piastrina | Plaquette | Plättchen | |
| 7 | 322869673/0 | 1 | Rod, Height Adjustment | Asta Comando Regol. Altezza | Tige Commande Reglage Hauteur | Stange, Höheverstellung | GGP-Honda-B&S |
| 7 | 322869683/0 | 1 | Rod, Height Adjustment | Asta Comando Regol. Altezza | Tige Commande Reglage Hauteur | Stange, Höheverstellung | B&S E Series |
| 8 | 122519820/0 | 2 | Pin | Perno | Pivot | Bolzen | |
| 9 | 122446193/0 | 1 | Spring | Molla | Ressort | Feder | |
| 11 | 112728698/0 | 4 | Screw | Vite | Vis | Schraube | |
| 12 | 22545152/0 | 2 | Plate | Piastrina | Plaquette | Platte | |
| 13 | 381302817/0 | 1 | Axle, Rear Wheels | Asse Ruote Posteriori | Axe Roues Arriere | Achse, Hinterrad | |
| 14 | 122534131/0 | 1 | Pin | Perno | Pivot | Bolzen | |
| 15 | 381003357/0 | 1 | Lever, Height Adjustment | Leva Regolazione Altezza | Levier, Reglage Hauteur | Hebel, Höheverstellung | |
| 16 | 122446192/0 | 1 | Spring | Molla | Ressort | Feder | |
| 17 | 12154510/0 | 1 | Nut | Dado | Ecrou | Mutter | |
| 18 | 322600205/0 | 2 | Wheel Protection | Prot. Ruote | Protection Roue | Schütz, Rechtes | |
| 21 | 12521350/0 | 2 | Washer | Rosetta | Rondelle | Scheibe | |
| 22 | 12155000/0 | 2 | Nut | Dado | Ecrou | Mutter | |



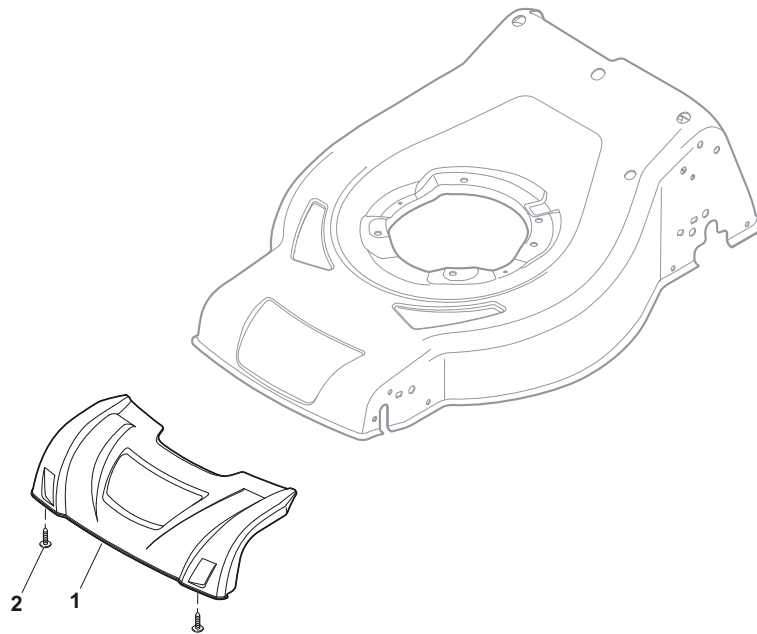
| POS | PART. NO | Q.ty | DESCRIPTION | DESCRIZIONE | DESCRIPTION | BESCHREIBUNG | REMARKS |
|-----|-------------|------|----------------|--------------------|---------------------|---------------|---------|
| 1 | 322108309/0 | 1 | Stone-Guard | Parasassi | Pare-Pierres | Prallblech | |
| 2 | 322600238/0 | 1 | Ejection Guard | Protezione Uscita | Protection Sortie | Auswurfschutz | |
| 3 | 112727803/0 | 2 | Screw | Vite | Vis | Schraube | |
| 4 | 322806639/0 | 1 | Fulcrum Pin | Fulcro | Point D'Appui | Gelenkpunkt | |
| 5 | 12154510/0 | 2 | Nut | Dado | Ecrou | Mutter | |
| 6 | 18203853/0 | 2 | Protection | Cappuccio | Capuchon | Stecker | |
| 7 | 122450456/0 | 1 | Spring | Molla | Ressort | Feder | |
| 8 | 122517869/0 | 1 | Pin | Perno | Pivot | Bolzen | |
| 9 | 12604896/0 | 2 | Crown Fastener | Fissatore A Corona | Fixateur A Couronne | Kronescheibe | |



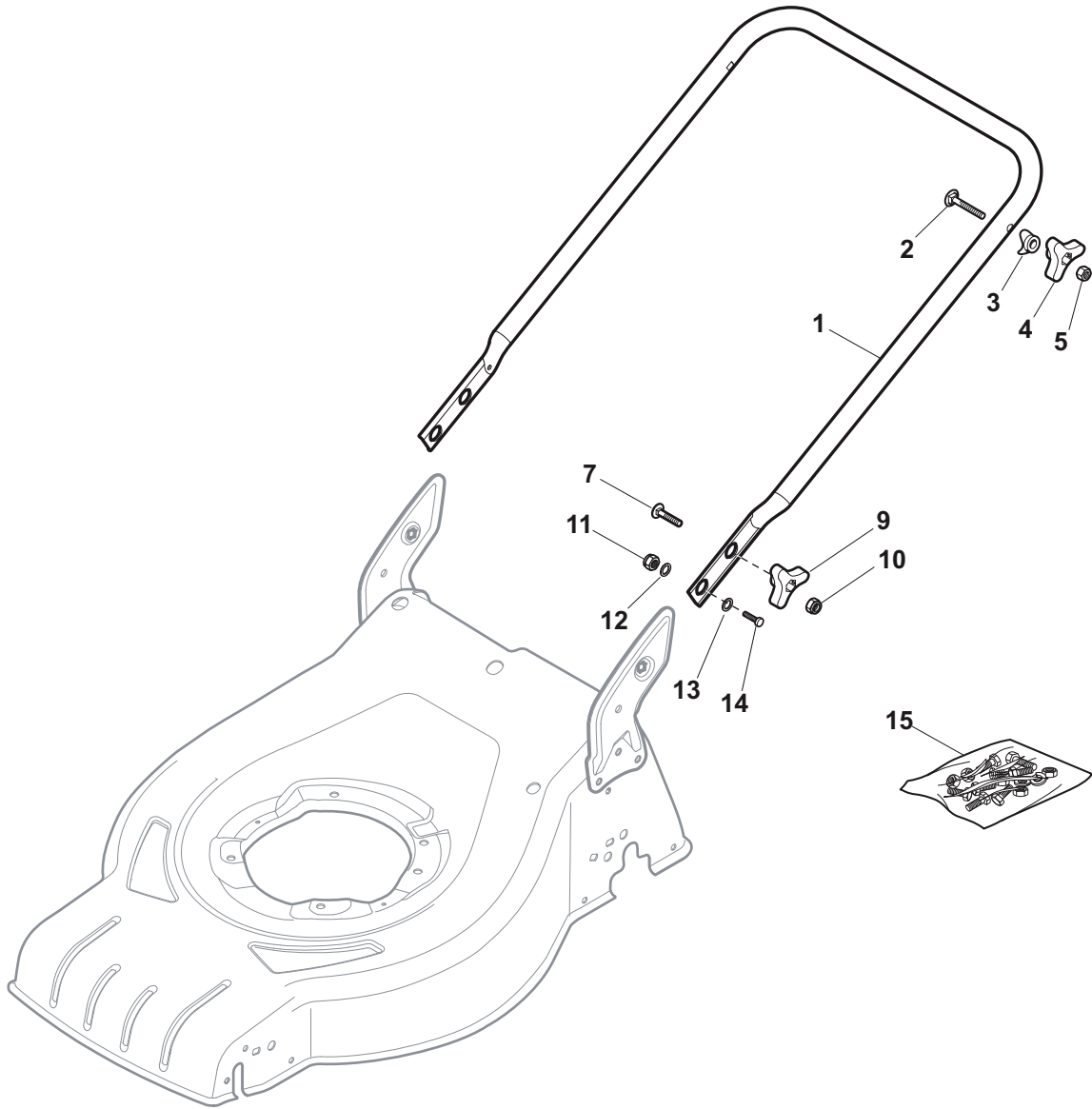
| POS | PART. NO | Q.ty | DESCRIPTION | DESCRIZIONE | DESCRIPTION | BESCHREIBUNG | REMARKS |
|-----|-------------|------|-------------|-------------------|--------------|--------------|---------|
| 1 | 322500106/0 | 1 | Front Combi | Pettine Anteriore | Peigne Avant | Vorne Comb | |
| 2 | 112728698/0 | 2 | Screw | Vite | Vis | Schraube | |



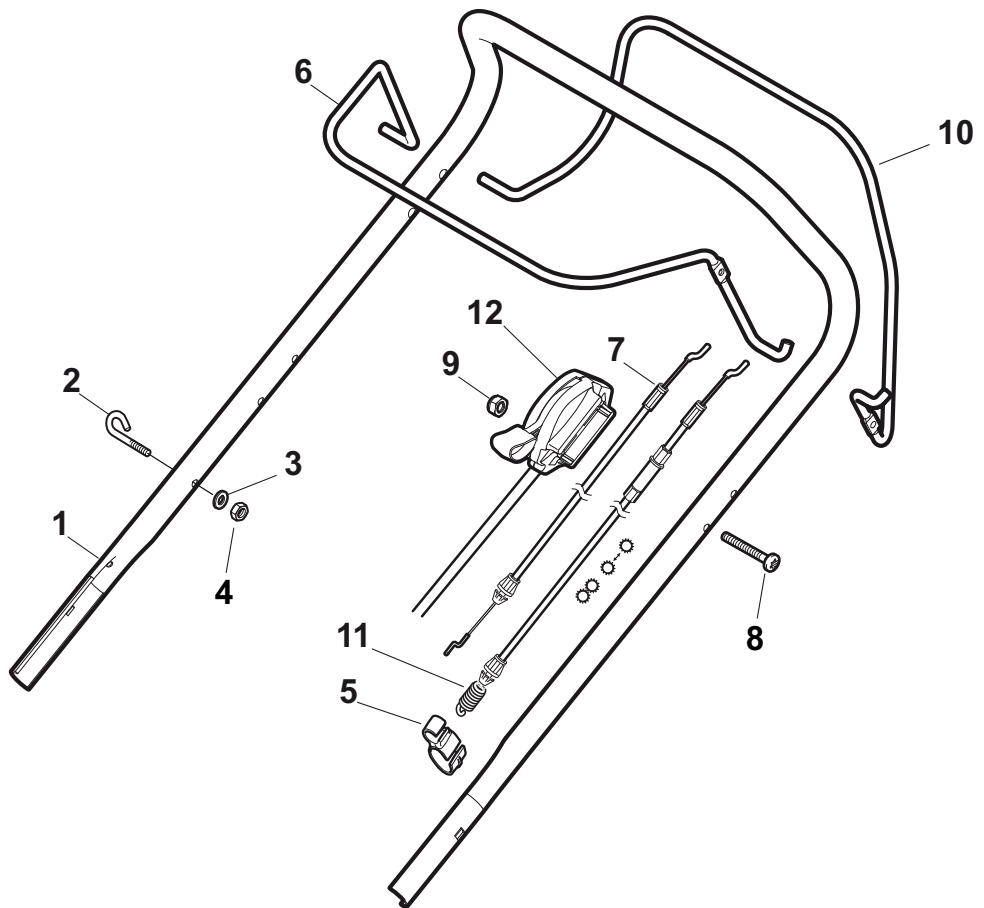
| POS | PART. NO | Q.ty | DESCRIPTION | DESCRIZIONE | DESCRIPTION | BESCHREIBUNG | REMARKS |
|-----|-------------|------|-------------|------------------|---------------|----------------|---------|
| 1 | 322226170/0 | 1 | Mask, Black | Mascherina, Nero | Mesque, Noire | Maske, Schwarz | |
| 2 | 112728698/0 | 2 | Screw | Vite | Vis | Schraube | |



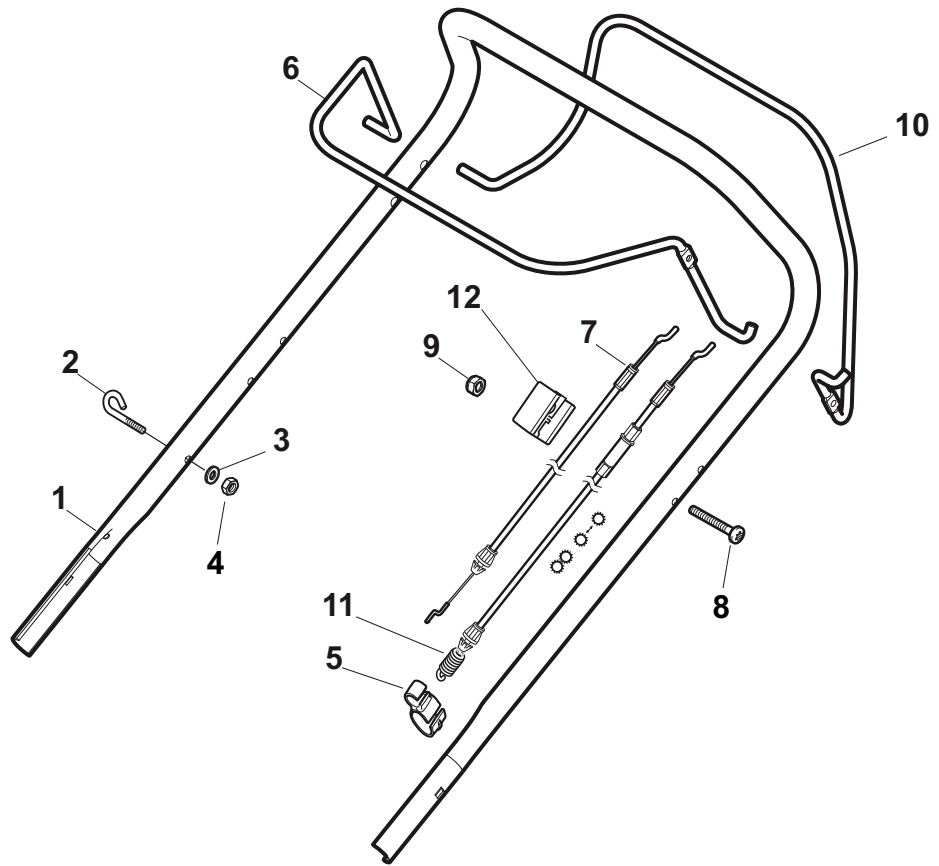
| POS | PART. NO | Q.ty | DESCRIPTION | DESCRIZIONE | DESCRIPTION | BESCHREIBUNG | REMARKS |
|-----|-------------|------|-------------|------------------|---------------|----------------|---------|
| 1 | 322226168/0 | 1 | Mask, Black | Mascherina, Nero | Mesque, Noire | Maske, Schwarz | |
| 2 | 112728698/0 | 2 | Screw | Vite | Vis | Schraube | |



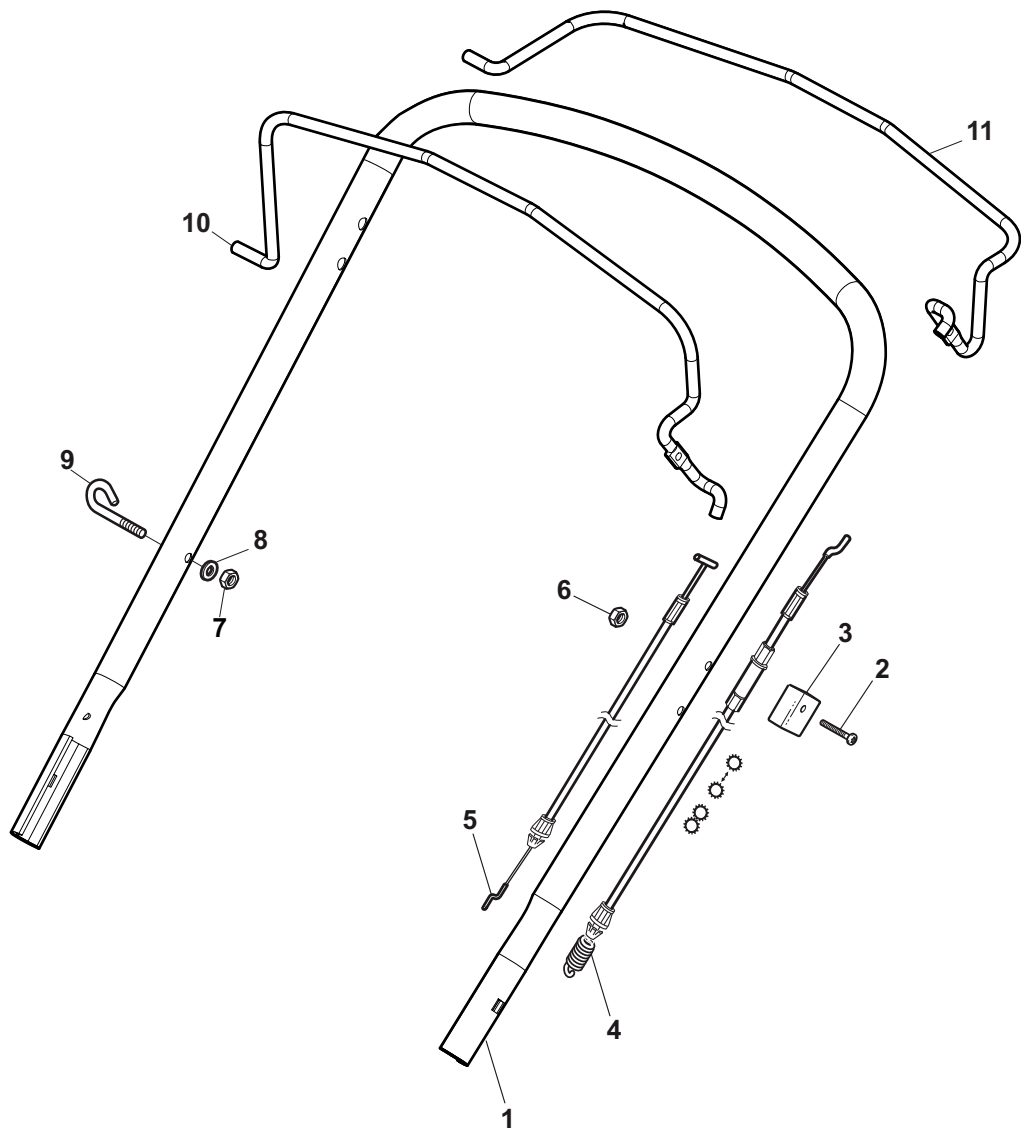
| POS | PART. NO | Q.ty | DESCRIPTION | DESCRIZIONE | DESCRIPTION | BESCHREIBUNG | REMARKS |
|-----|-------------|------|--------------------|-------------------|----------------------------|--------------------|---------|
| 1 | 381006737/0 | 1 | Handle, Lower Part | Manico, Parte Inf | Manchon, Partie Inferieure | Holm, Unterteil | |
| 2 | 112819110/0 | 2 | Screw | Vite | Vis | Schraube | |
| 3 | 122671651/0 | 2 | Washer | Rosetta | Rondelle | Scheibe | |
| 4 | 22399900/0 | 2 | Knob | Manopolina | Poignée | Griff | Black |
| 4 | 322399840/0 | 2 | Knob | Manopolina | Poignée | Griff | Yellow |
| 4 | 322399846/0 | 2 | Knob | Manopolina | Poignée | Griff | Red |
| 5 | 12293200/0 | 2 | Nut | Dado | Ecrou | Mutter | |
| 7 | 12818900/0 | 2 | Screw | Vite | Vis | Schraube | |
| 9 | 22399900/0 | 2 | Knob | Manopolina | Poignée | Griff | Black |
| 9 | 322399840/0 | 2 | Knob | Manopolina | Poignée | Griff | Yellow |
| 9 | 322399846/0 | 2 | Knob | Manopolina | Poignée | Griff | Red |
| 10 | 12293200/0 | 2 | Nut | Dado | Ecrou | Mutter | |
| 11 | 12155000/0 | 2 | Nut | Dado | Ecrou | Mutter | |
| 12 | 12521350/0 | 2 | Washer | Rosetta | Rondelle | Scheibe | |
| 13 | 12369500/0 | 2 | Elastic Washer | Rosetta Elastica | Rondelle Elastique | Elastische Scheibe | |
| 14 | 12760605/0 | 2 | Screw | Vite | Vis | Schraube | |
| 15 | 381008691/0 | 1 | Outfit, Screws | Dotazione Viteria | Dotation Visserie | Satz, Schrauben | Black |
| 15 | 381008692/0 | 1 | Outfit, Screws | Dotazione Viteria | Dotation Visserie | Satz, Schrauben | Yellow |
| 15 | 381008695/0 | 1 | Outfit, Screws | Dotazione Viteria | Dotation Visserie | Satz, Schrauben | Red |



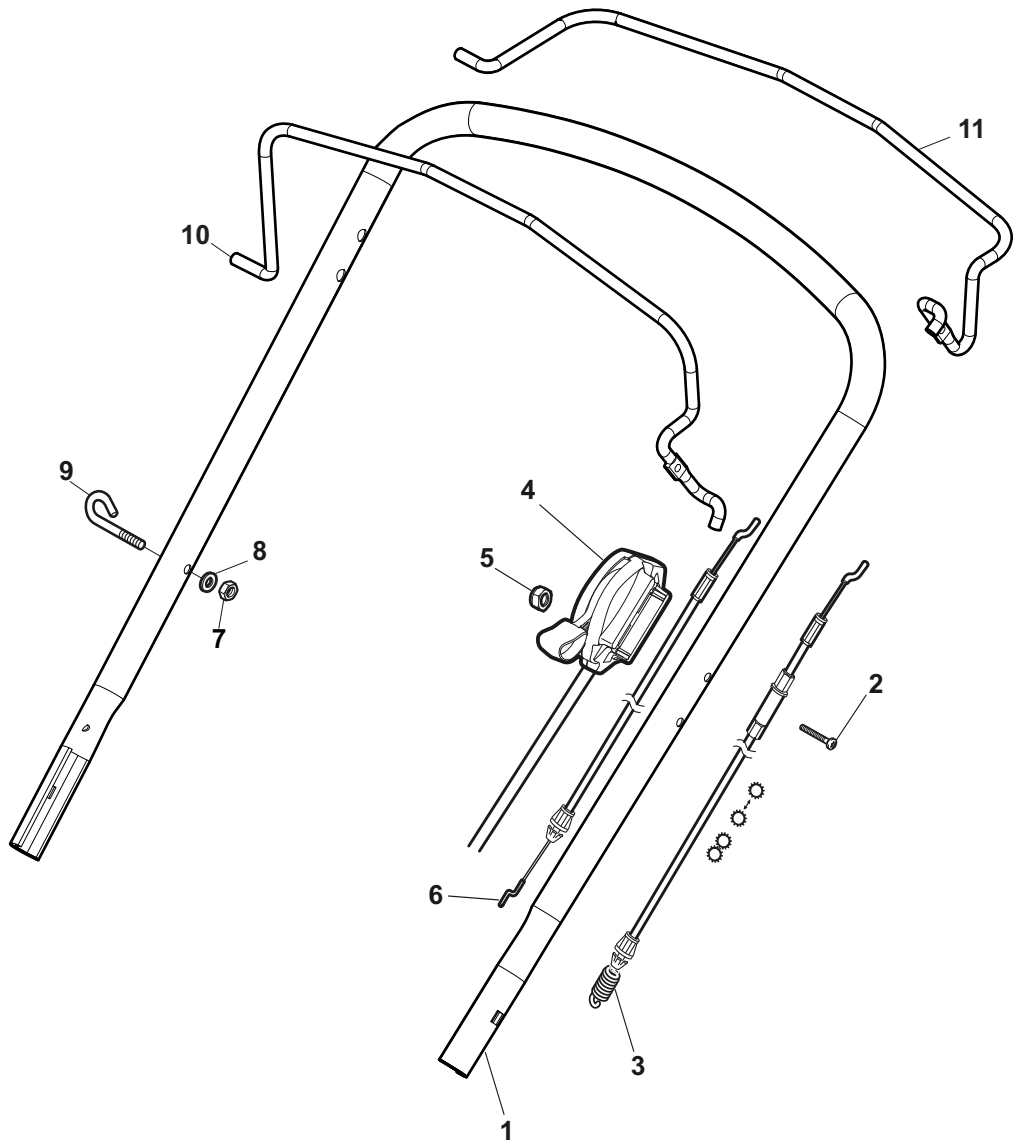
| POS | PART. NO | Q.ty | DESCRIPTION | DESCRIZIONE | DESCRIPTION | BESCHREIBUNG | REMARKS |
|-----|-------------|------|-----------------------------------------|----------------------------------------------|--------------------------------------------------|----------------------------------|--------------|
| 1 | 381006739/0 | 1 | Handle, Upper Part | Manico, Parte Sup | Mancheron, Partie Superieure | Holm, Oberteil | |
| 1 | 381006745/0 | 1 | Handle, Upper Part with sponge handgrip | Manico, Parte Sup. con impugnatura in spugna | Mancheron, Partie Superieure avec éponge poignée | Holm, Oberteil Handgriff Schwamm | |
| 2 | 22430313/0 | 1 | Guide Spring | Molla Guida | Ressort De Guide | Feder Führer | |
| 3 | 12521330/0 | 1 | Washer | Rosetta | Rondelle | Scheibe | |
| 4 | 12154510/0 | 1 | Nut | Dado | Ecrou | Mutter | |
| 5 | 118390020/0 | 1 | Fairlead | Fermacavo | Fixation Cable | Kabelbefestigung | |
| 6 | 181003363/1 | 1 | Lever, Engine Brake Black | Leva Freno Motore Nero | Levier Frein Moteur Noire | Hebel, Motorbremse, Schwarz | |
| 6 | 381003365/0 | 1 | Lever, Engine Brake Yellow | Leva Freno Motore Giallo | Levier Frein Moteur Jaune | Hebel, Motorbremse, Gelb | |
| 6 | 381003376/0 | 1 | Lever, Engine Brake Red | Leva Freno Motore Rosso | Levier Frein Moteur Rouge | Hebel, Motorbremse, Rot | |
| 7 | 181030054/0 | 1 | Cable, Thread Engine Brake | Cavo Freno Motore | Cable Frein Moteur | Kabel, Motorbremse | GGP150cc |
| 7 | 181030056/0 | 1 | Cable, Thread Engine Brake | Cavo Freno Motore | Cable Frein Moteur | Kabel, Motorbremse | B&S-GGP |
| 7 | 181030056/0 | 1 | Cable, Thread Engine Brake | Cavo Freno Motore | Cable Frein Moteur | Kabel, Motorbremse | B&S E Series |
| 7 | 181030069/0 | 1 | Cable, Thread Engine Brake | Cavo Freno Motore | Cable Frein Moteur | Kabel, Motorbremse | Honda |
| 8 | 12727783/0 | 1 | Screw | Vite | Vis | Schraube | |
| 9 | 12154510/0 | 1 | Nut | Dado | Ecrou | Mutter | |
| 10 | 181003364/0 | 1 | Lever, Driving Black | Leva Trazione Nero | Levier Traction Noire | Hebel, Antrieb Schwarz | |
| 10 | 381003366/0 | 1 | Lever, Driving Yellow | Leva Trazione Giallo | Levier Traction Jaune | Hebel, Antrieb Gelb | |
| 10 | 381003377/0 | 1 | Lever, Driving Red | Leva Trazione Rosso | Levier Traction Rouge | Hebel, Antrieb Rot | |
| 11 | 381030051/0 | 1 | Cable, Rear Drive | Cavo Comando Trazione | Câble, Commande Traction | Kabel, Antrieb | |
| 12 | 181005511/0 | 1 | Throttle Cable | Cavo Acceleratore | Cable, Accelérateur | Gashebel Kabel | B&S |
| 12 | 181005517/0 | 1 | Throttle Cable | Cavo Acceleratore | Cable, Accelérateur | Gashebel Kabel | GGP |
| 12 | 181005504/1 | 1 | Throttle Cable | Cavo Acceleratore | Cable, Accelérateur | Gashebel Kabel | GGP150cc |
| 12 | 181005517/0 | 1 | Throttle Cable | Cavo Acceleratore | Cable, Accelérateur | Gashebel Kabel | Honda |
| 12 | 181005532/0 | 1 | Throttle Cable | Cavo Acceleratore | Cable, Accelérateur | Gashebel Kabel | GGP100cc |
| 12 | 181005533/0 | 1 | Throttle Cable | Cavo Acceleratore | Cable, Accelérateur | Gashebel Kabel | B&S E Series |



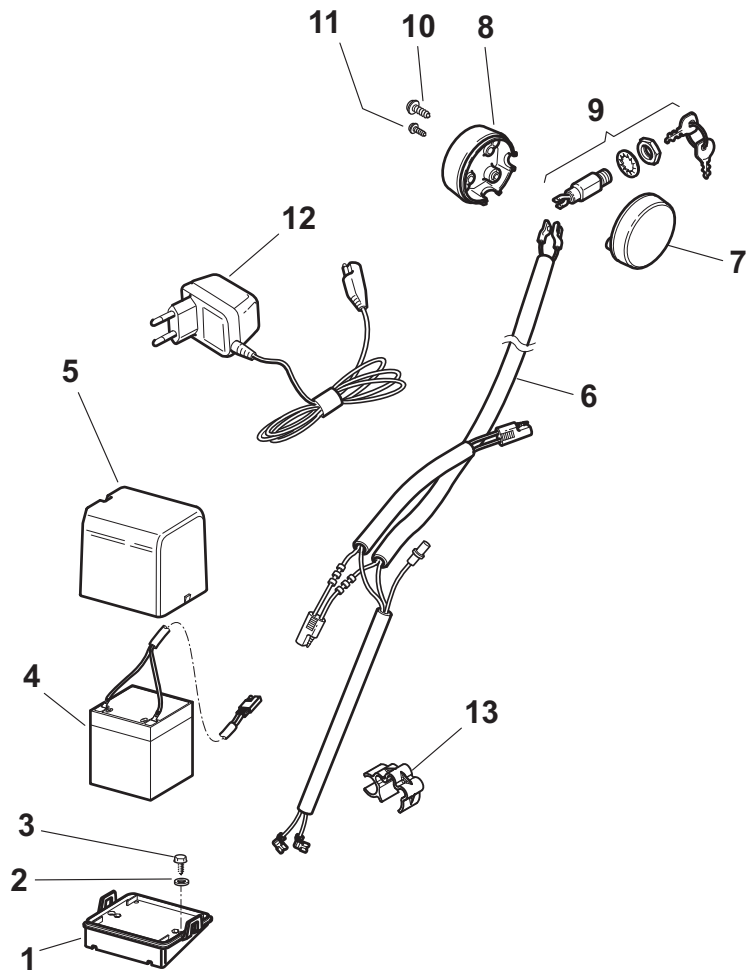
| POS | PART. NO | Q.ty | DESCRIPTION | DESCRIZIONE | DESCRIPTION | BESCHREIBUNG | REMARKS |
|-----|-------------|------|-----------------------------------------|----------------------------------------------|--------------------------------------------------|----------------------------------|--------------|
| 1 | 381006739/0 | 1 | Handle, Upper Part | Manico, Parte Sup | Mancheron, Partie Superieure | Holm, Oberteil | |
| 1 | 381006745/0 | 1 | Handle, Upper Part with sponge handgrip | Manico, Parte Sup. con impugantura in spugna | Mancheron, Partie Superieure avec éponge poignée | Holm, Oberteil Handgriff Schwamm | |
| 2 | 22430313/0 | 1 | Guide Spring | Molla Guida | Ressort De Guide | Feder Führer | |
| 3 | 12521330/0 | 1 | Washer | Rosetta | Rondelle | Scheibe | |
| 4 | 12154510/0 | 1 | Nut | Dado | Ecrou | Mutter | |
| 5 | 118390020/0 | 1 | Fairlead | Fermacavo | Fixation Cable | Kabelbefestigung | |
| 6 | 181003363/1 | 1 | Lever, Engine Brake Black | Leva Freno Motore Nero | Levier Frein Moteur Noire | Hebel, Motorbremse, Schwarz | |
| 6 | 381003365/0 | 1 | Lever, Engine Brake Yellow | Leva Freno Motore Giallo | Levier Frein Moteur Jaune | Hebel, Motorbremse, Gelb | |
| 6 | 381003376/0 | 1 | Lever, Engine Brake Red | Leva Freno Motore Rosso | Levier Frein Moteur Rouge | Hebel, Motorbremse, Rot | |
| 7 | 181030054/0 | 1 | Cable, Thread Engine Brake | Cavo Freno Motore | Cable Frein Moteur | Kabel, Motorbremse | GGP150cc |
| 7 | 181030056/0 | 1 | Cable, Thread Engine Brake | Cavo Freno Motore | Cable Frein Moteur | Kabel, Motorbremse | B&S-GGP |
| 7 | 181030056/0 | 1 | Cable, Thread Engine Brake | Cavo Freno Motore | Cable Frein Moteur | Kabel, Motorbremse | B&S E Series |
| 7 | 181030069/0 | 1 | Cable, Thread Engine Brake | Cavo Freno Motore | Cable Frein Moteur | Kabel, Motorbremse | Honda |
| 8 | 12727783/0 | 1 | Screw | Vite | Vis | Schraube | |
| 9 | 12154510/0 | 1 | Nut | Dado | Ecrou | Mutter | |
| 10 | 181003364/0 | 1 | Lever, Driving Black | Leva Trazione Nero | Levier Traction Noire | Hebel, Antrieb Schwarz | |
| 10 | 381003366/0 | 1 | Lever, Driving Yellow | Leva Trazione Giallo | Levier Traction Jaune | Hebel, Antrieb Gelb | |
| 10 | 381003377/0 | 1 | Lever, Driving Red | Leva Trazione Rosso | Levier Traction Rouge | Hebel, Antrieb Rot | |
| 11 | 381030051/0 | 1 | Cable, Rear Drive | Cavo Comando Trazione | Câble, Commande Traction | Kabel, Antrieb | |
| 12 | 22551640/0 | 1 | Plate | Piastrina | Plaquette | Plättchen | |



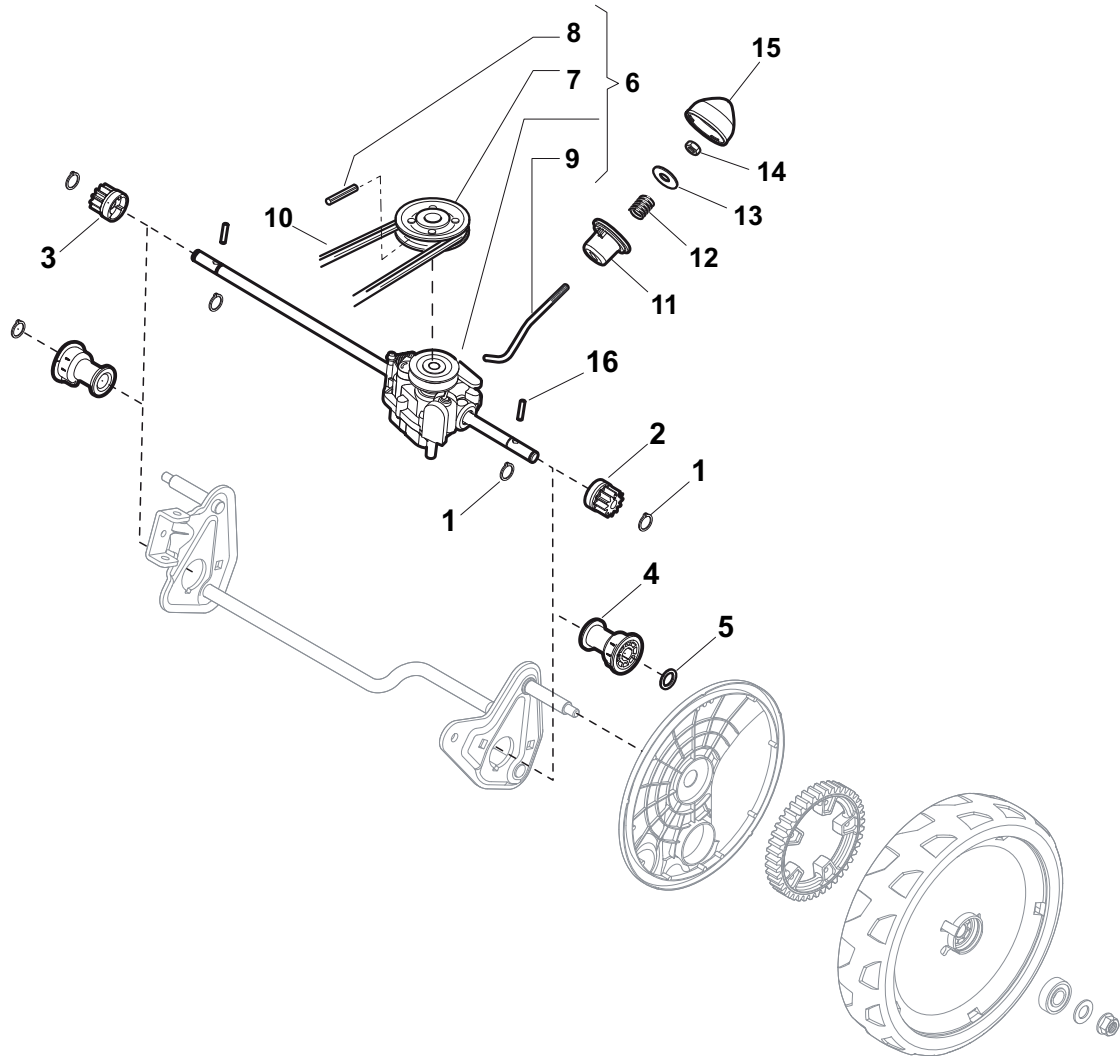
| POS | PART. NO | Q.ty | DESCRIPTION | DESCRIZIONE | DESCRIPTION | BESCHREIBUNG | REMARKS |
|-----|-------------|------|----------------------------|-----------------------|------------------------------|--------------------|---------------|
| 1 | 381006740/0 | 1 | Handle, Upper Part | Manico, Parte Sup | Mancheron, Partie Superieure | Holm, Oberteil | |
| 2 | 112727788/0 | 1 | Screw | Vite | Vis | Schraube | |
| 3 | 322551640/0 | 1 | Plate | Piastrina | Plaquette | Plättchen | |
| 4 | 381030085/0 | 1 | Cable, Rear Drive | Cavo Comando Trazione | Câble, Commande Traction | Kabel, Antrieb | |
| 5 | 181030053/0 | 1 | Cable, Thread Engine Brake | Cavo Freno Motore | Cable Frein Moteur | Kabel, Motorbremse | GGP150cc |
| 5 | 181030084/0 | 1 | Cable, Thread Engine Brake | Cavo Freno Motore | Cable Frein Moteur | Kabel, Motorbremse | B&S-GGP-Honda |
| 6 | 112154510/0 | 1 | Nut | Dado | Ecrou | Mutter | |
| 7 | 112154510/0 | 1 | Nut | Dado | Ecrou | Mutter | |
| 8 | 112521330/0 | 1 | Washer | Rosetta | Rondelle | Scheibe | |
| 9 | 122430313/0 | 1 | Guide Spring | Molla Guida | Ressort De Guide | Feder Führer | |
| 10 | 181003369/0 | 1 | Lever, Engine Brake | Leva Freno Motore | Levier Frein Moteur | Hebel, Motorbremse | |
| 11 | 181003371/0 | 1 | Lever, Driving | Leva Trazione | Levier Traction | Hebel, Antrieb | |



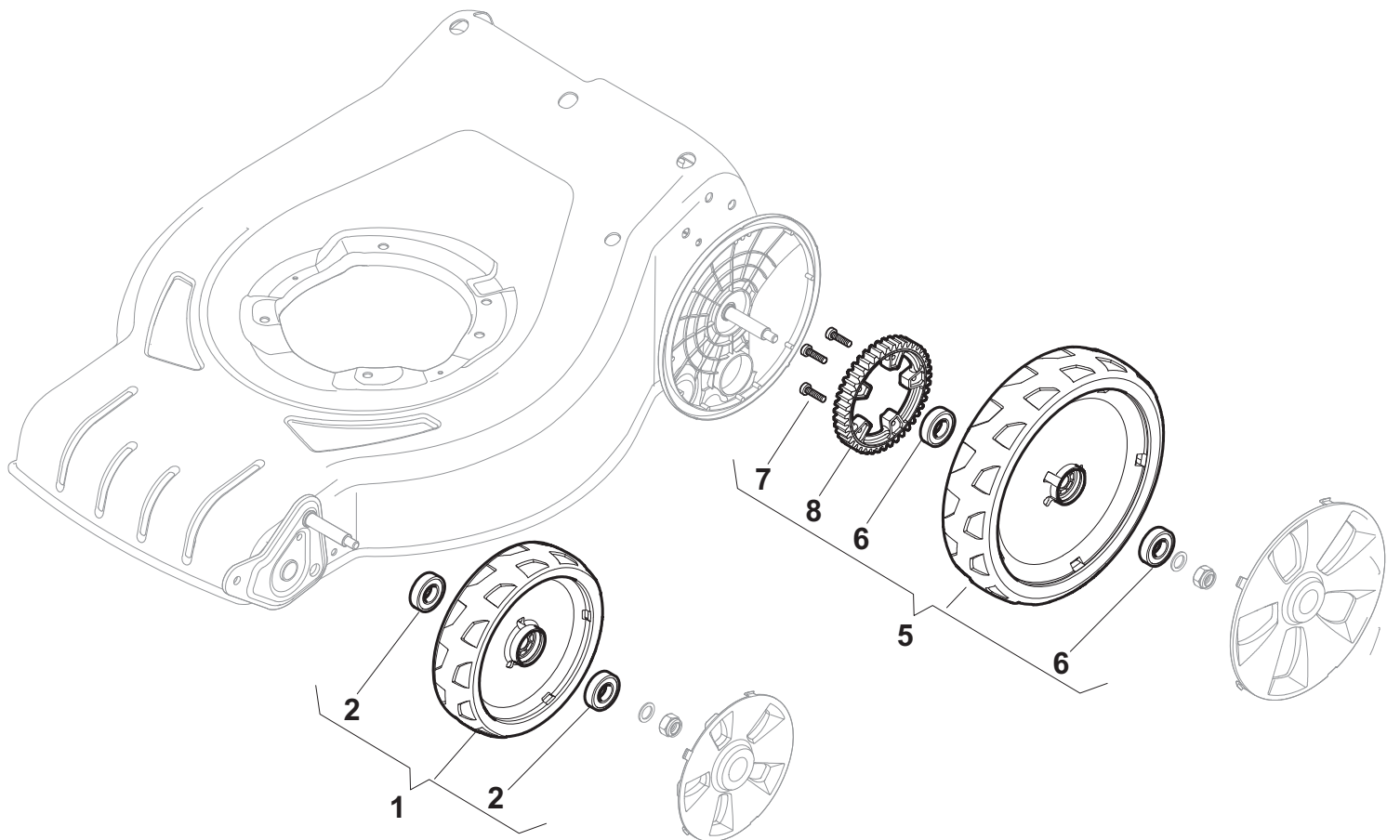
| POS | PART. NO | Q.ty | DESCRIPTION | DESCRIZIONE | DESCRIPTION | BESCHREIBUNG | REMARKS |
|-----|-------------|------|----------------------------|-----------------------|------------------------------|--------------------|---------------|
| 1 | 381006740/0 | 1 | Handle, Upper Part | Manico, Parte Sup | Mancheron, Partie Superieure | Holm, Oberteil | |
| 2 | 112727788/0 | 1 | Screw | Vite | Vis | Schraube | |
| 3 | 381030085/0 | 1 | Cable, Rear Drive | Cavo Comando Trazione | Câble, Commande Traction | Kabel, Antrieb | |
| 4 | 181005521/0 | 1 | Throttle Cable | Cavo Acceleratore | Cable, Accelérateur | Gashebel Kabel | GGP150cc |
| 4 | 181005522/0 | 1 | Throttle Cable | Cavo Acceleratore | Cable, Accelérateur | Gashebel Kabel | B&S |
| 4 | 181005534/0 | 1 | Throttle Cable | Cavo Acceleratore | Cable, Accelérateur | Gashebel Kabel | GGP100cc |
| 4 | 181005535/0 | 1 | Throttle Cable | Cavo Acceleratore | Cable, Accelérateur | Gashebel Kabel | GGP-Honda |
| 4 | 181005536/0 | 1 | Throttle Cable | Cavo Acceleratore | Cable, Accelérateur | Gashebel Kabel | B&S E Series |
| 5 | 112154510/0 | 1 | Nut | Dado | Ecrou | Mutter | |
| 6 | 181030053/0 | 1 | Cable, Thread Engine Brake | Cavo Freno Motore | Cable Frein Moteur | Kabel, Motorbremse | GGP150cc |
| 6 | 181030084/0 | 1 | Cable, Thread Engine Brake | Cavo Freno Motore | Cable Frein Moteur | Kabel, Motorbremse | B&S-GGP-Honda |
| 7 | 112154510/0 | 1 | Nut | Dado | Ecrou | Mutter | |
| 8 | 112521330/0 | 1 | Washer | Rosetta | Rondelle | Scheibe | |
| 9 | 122430313/0 | 1 | Guide Spring | Molla Guida | Ressort De Guide | Feder Führer | |
| 10 | 181003369/0 | 1 | Lever, Engine Brake | Leva Freno Motore | Levier Frein Moteur | Hebel, Motorbremse | |
| 11 | 181003371/0 | 1 | Lever, Driving | Leva Trazione | Levier Traction | Hebel, Antrieb | |



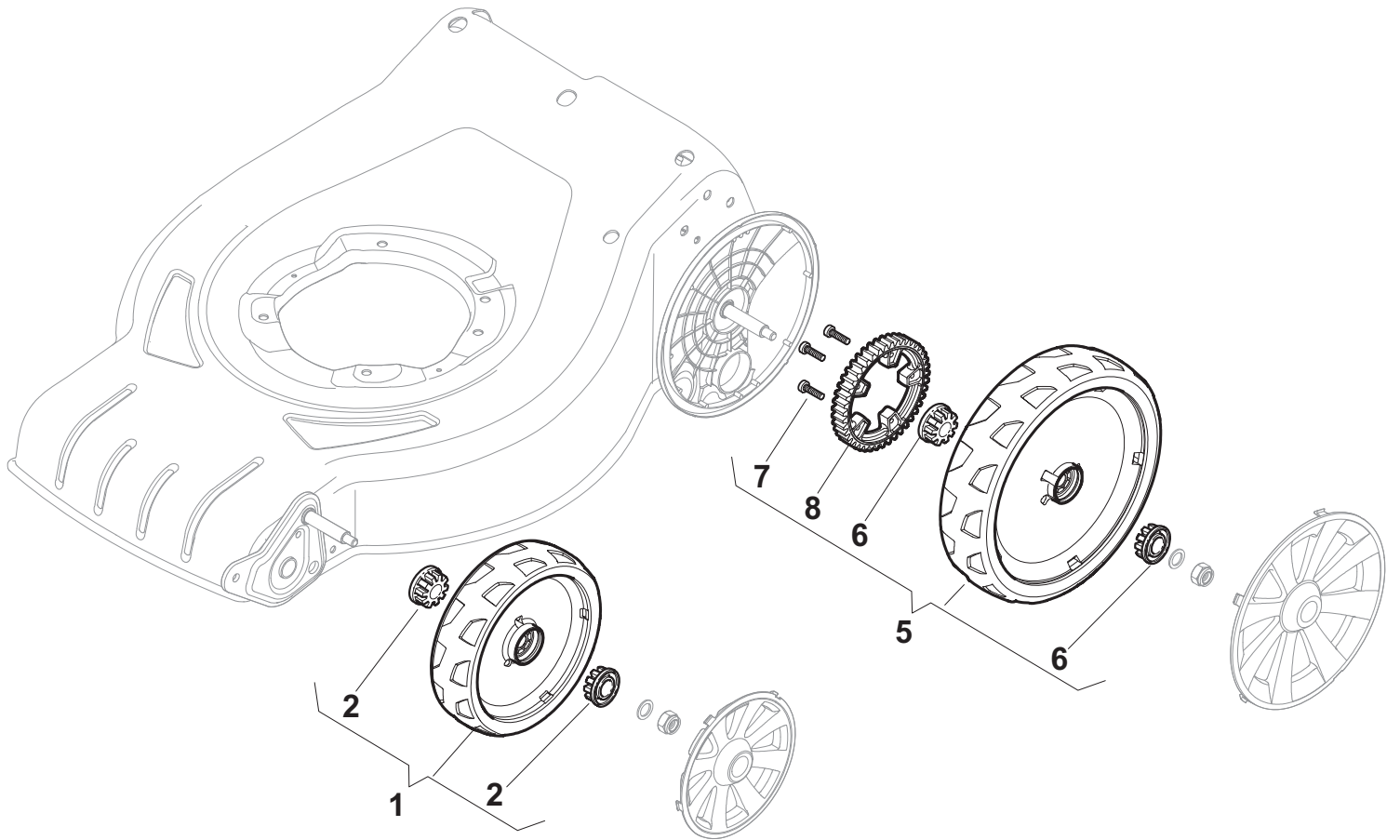
| POS | PART. NO | Q.ty | DESCRIPTION | DESCRIZIONE | DESCRIPTION | BESCHREIBUNG | REMARKS |
|-----|-------------|------|------------------|-------------------|----------------------|------------------|---------|
| 1 | 322785123/0 | 1 | Support, Battery | Supporto Batteria | Support Batterie | Halter, Batterie | |
| 2 | 112521310/0 | 2 | Washer | Rosetta | Rondelle | Scheibe | |
| 3 | 112731590/0 | 2 | Screw | Vite | Vis | Schraube | |
| 4 | 118120052/0 | 1 | Battery | Batteria | Batterie | Batterie | |
| 5 | 322109530/0 | 1 | Cover | Coperchio | Couvercle | Deckel | |
| 6 | 118204192/3 | 1 | Cable, Start | Cavo Avviamento | Cable Démarrage | Kabel, Start | |
| 7 | 322722800/0 | 1 | R Protection | Protezione Dx | Protection D | Rechte Schutz | |
| 8 | 322722801/0 | 1 | L Protection | Protezione Sx | Protection G | Linke Schutz | |
| 9 | 118450050/0 | 1 | Switch | Interruttore | Interrupteur | Schalter | |
| 10 | 112728691/0 | 1 | Screw | Vite | Vis | Schraube | |
| 11 | 112728702/0 | 2 | Screw | Vite | Vis | Schraube | |
| 12 | 18204120/0 | 1 | Battery Charger | Carica Batteria | Chargeur De Batterie | Ladgerät | CE |
| 12 | 18204121/0 | 1 | Battery Charger | Carica Batteria | Chargeur De Batterie | Ladgerät | UK |
| 13 | 118390021/0 | 1 | Fairlead | Fermacavo | Fixation Cable | Kabelbefestigung | |



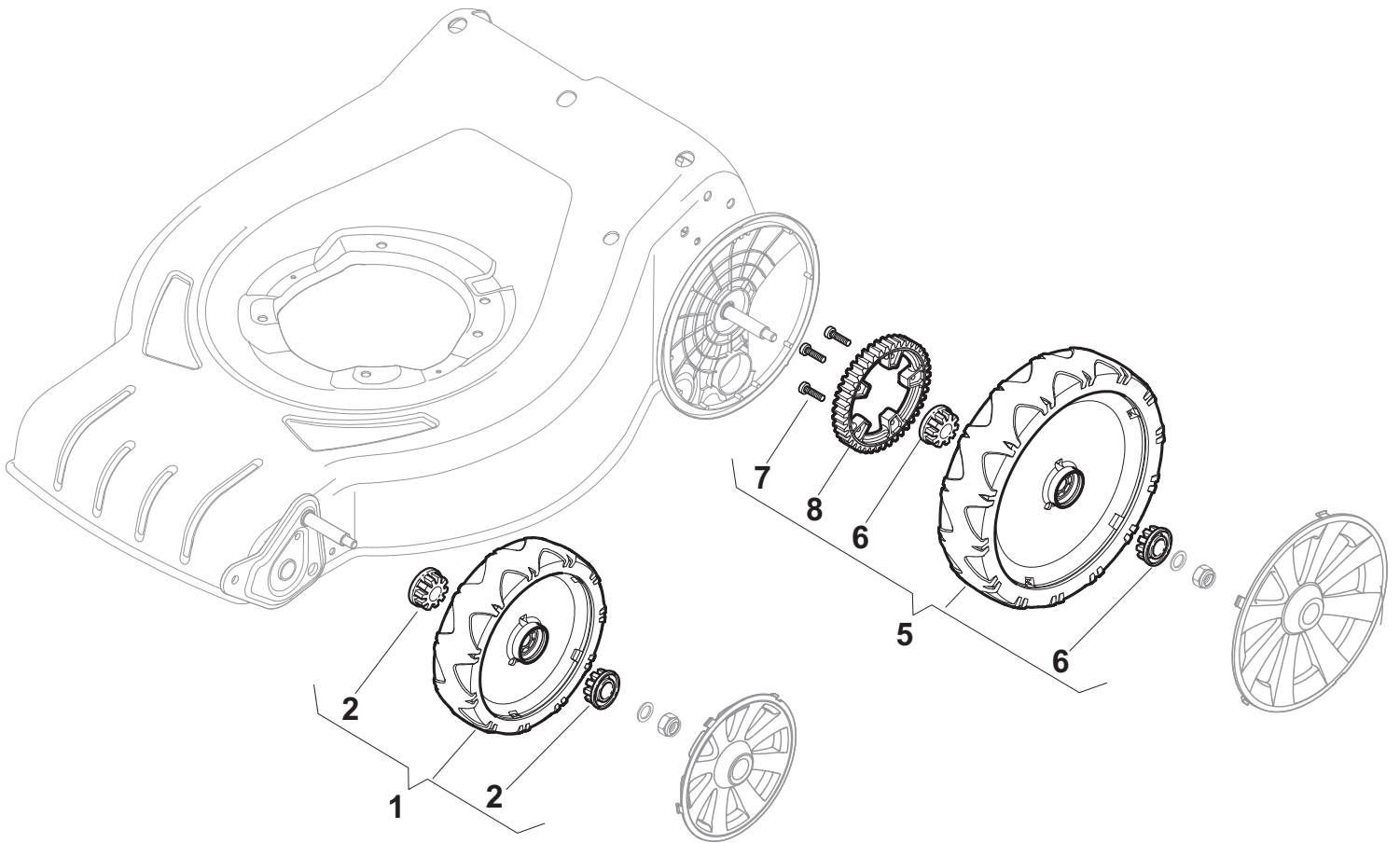
| POS | PART. NO | Q.ty | DESCRIPTION | DESCRIZIONE | DESCRIPTION | BESCHREIBUNG | REMARKS |
|-----|-------------|------|----------------|------------------|-----------------|-------------------|---------|
| 1 | 12608600/0 | 4 | Seeger | Seeger | Seeger | Seeger | |
| 2 | 22570120/1 | 1 | Pinion L | Pignone Sx | Pignon G | Ritzel Linkes | |
| 3 | 22570110/1 | 1 | Pinion R | Pignone Dx | Pignon D | Ritzel Rechtes | |
| 4 | 322042066/0 | 2 | Bush | Bussola | Douille | Buchse | |
| 5 | 112521371/0 | 2 | Washer | Rosetta | Rondelle | Scheibe | |
| 6 | 81003092/0 | 1 | Gear Box | Gruppo Trazione | Groupe Traction | Antrieb | |
| 7 | 22601904/0 | 1 | Pulley | Puleggia | Poulie | Riemenscheibe | |
| 8 | 12645700/0 | 1 | Pin | Spina | Goupille | Stift | |
| 9 | 22033283/0 | 1 | Adjustment Rod | Asta Regolazione | Tige Reglage | Verstellungstange | |
| 10 | 35063800/0 | 1 | Belt | Cinghia | Courroie | Riemen | |
| 11 | 22041957/1 | 1 | Bush | Bussola | Douille | Buchse | |
| 12 | 22450063/0 | 1 | Spring | Molla | Ressort | Feder | |
| 13 | 22680009/0 | 1 | Washer | Rosetta | Rondelle | Scheibe | |
| 14 | 12154510/0 | 1 | Nut | Dado | Ecrou | Mutter | |
| 15 | 22110230/0 | 1 | Cap | Tappo | Bouchon | Gummistopfen | |
| 16 | 22753000/0 | 2 | Pin | Spina | Goupille | Stift | |



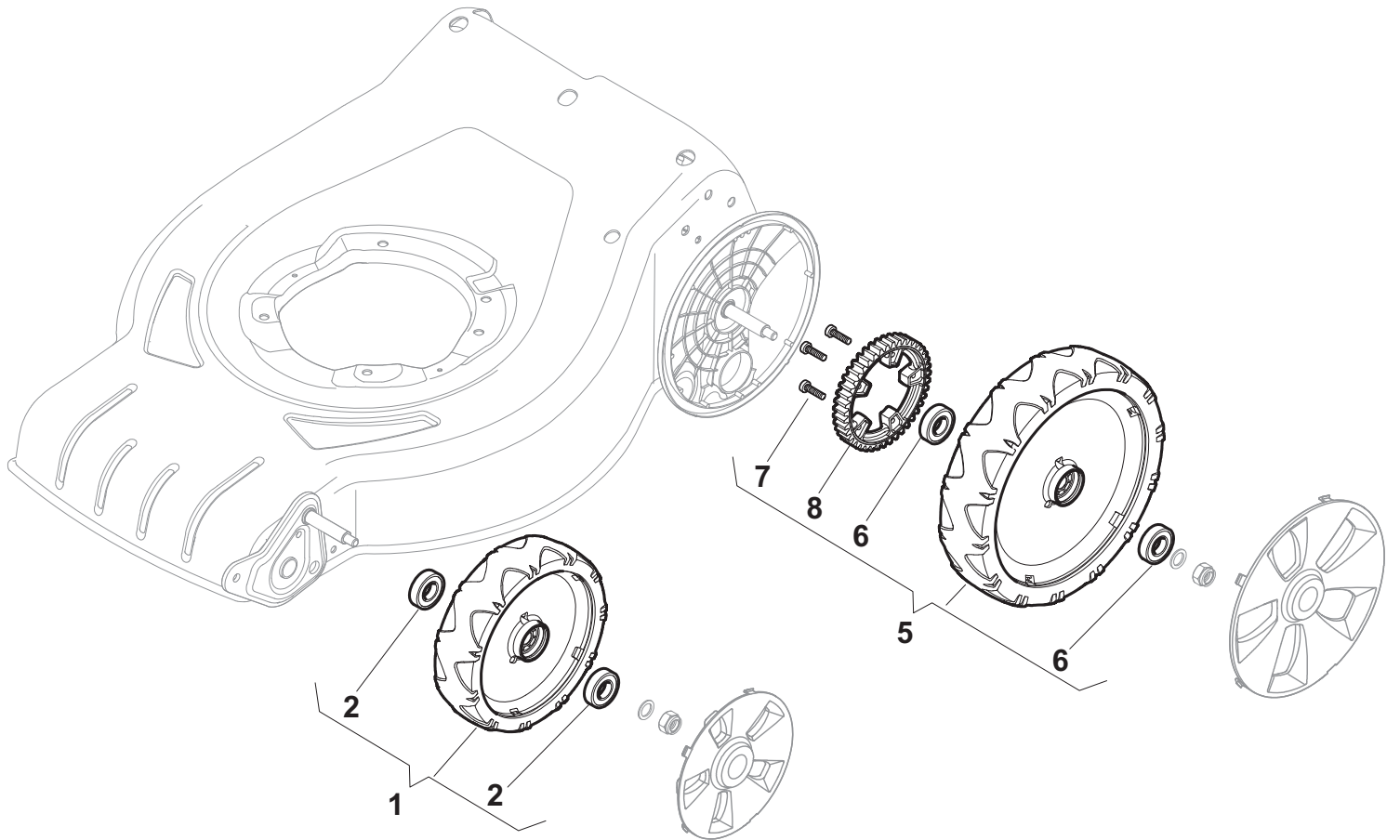
| POS | PART. NO | Q.ty | DESCRIPTION | DESCRIZIONE | DESCRIPTION | BESCHREIBUNG | REMARKS |
|-----|-------------|------|-------------|---------------------|-------------|--------------|---------|
| 1 | 381007448/0 | 2 | Wheel Ø 180 | Ruota Ø 180 | Roue Ø 180 | Rad Ø 180 | |
| 2 | 19216035/0 | 4 | Bearing | Cuscinetto | Coussinet | Lager | |
| 5 | 381007463/0 | 2 | Wheel Ø 240 | Ruota Ø 240 | Roue Ø 240 | Rad Ø 240 | |
| 6 | 19216035/0 | 4 | Bearing | Cuscinetto | Coussinet | Lager | |
| 7 | 112728706/0 | 6 | Screw | Vite | Vis | Schraube | |
| 8 | 32212011)/0 | 2 | Ding Gear | 5orona Trasinamento | Couronne | =ranz | |



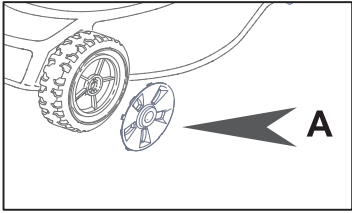
| POS | PART. NO | Q.ty | DESCRIPTION | DESCRIZIONE | DESCRIPTION | BESCHREIBUNG | REMARKS |
|-----|---------------|------|-------------|---------------------|-------------|--------------|---------|
| 1 | 381007442/0 | 2 | Wheel Ø 180 | Ruota Ø 180 | Roue Ø 180 | Rad Ø 180 | |
| 2 | 322042064/0 | 4 | Bush | Bussola | Douille | Buchse | |
| 5 | 381007462/0 | 2 | Wheel Ø 240 | Ruota Ø 240 | Roue Ø 240 | Rad Ø 240 | |
| 6 | 322042064/0 | 4 | Bush | Bussola | Douille | Buchse | |
| 7 | 112728706/0 | 6 | Screw | Vite | Vis | Schraube | |
| * | %%\$#\$"##)!" | \$ | D[Y 9V\$d | 5ad` S FdBe[S_ Wfa | 5agd` ` W | =d` l | |



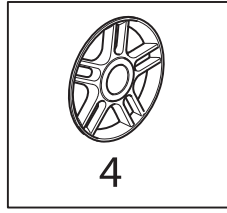
| POS | PART. NO | Q.ty | DESCRIPTION | DESCRIZIONE | DESCRIPTION | BESCHREIBUNG | REMARKS |
|-----|-------------|------|-------------|-----------------------|-------------|--------------|---------|
| 1 | 381007445/0 | 2 | Wheel Ø 180 | Ruota Ø 180 | Roue Ø 180 | Rad Ø 180 | |
| 2 | 322042064/0 | 4 | Bush | Bussola | Douille | Buchse | |
| 5 | 381007466/0 | 2 | Wheel Ø 240 | Ruota Ø 240 | Roue Ø 240 | Rad Ø 240 | |
| 6 | 322042064/0 | 4 | Bush | Bussola | Douille | Buchse | |
| 7 | 112728706/0 | 6 | Screw | Vite | Vis | Schraube | |
| * | %"#\$"##)!" | \$ | D[Y 9V&d | 5 ad` S Fd6e[S_ W fa | 5 agd` ` W | =d` l | |



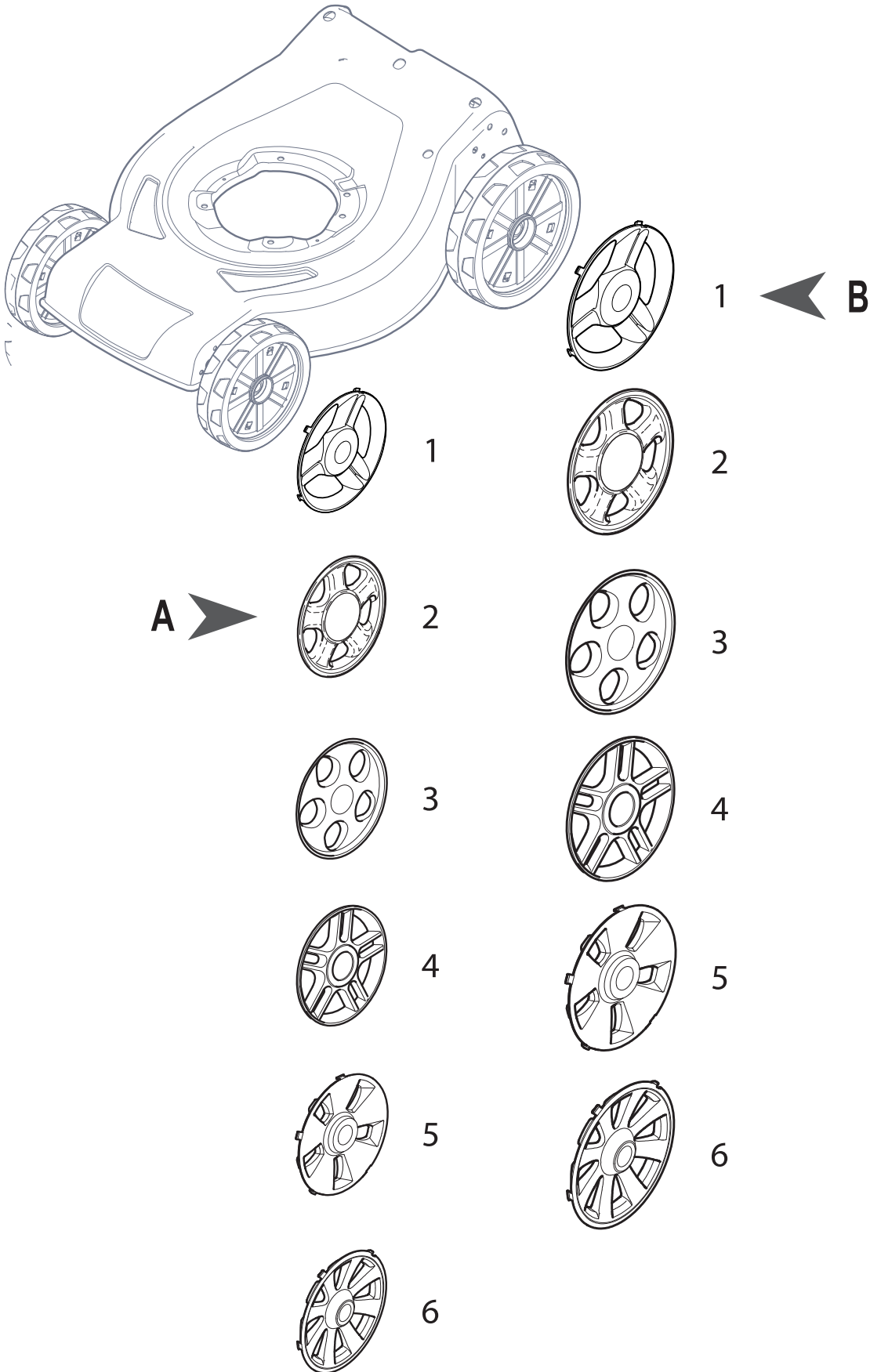
| POS | PART. NO | Q.ty | DESCRIPTION | DESCRIZIONE | DESCRIPTION | BESCHREIBUNG | REMARKS |
|-----|--------------|------|-------------|----------------------|-------------|--------------|---------|
| 1 | 381007455/0 | 2 | Wheel Ø 180 | Ruota Ø 180 | Roue Ø 180 | Rad Ø 180 | |
| 2 | 19216035/0 | 4 | Bearing | Cuscinetto | Coussinet | Lager | |
| 5 | 381007467/0 | 2 | Wheel Ø 240 | Ruota Ø 240 | Roue Ø 240 | Rad Ø 240 | |
| 6 | 19216035/0 | 4 | Bearing | Cuscinetto | Coussinet | Lager | |
| 7 | 112728706/0 | 6 | Screw | Vite | Vis | Schraube | |
| * | %\$#\$"##)!" | \$ | D[Y 9V&d | 5ad` S FdBe[S_ W fa | 5agda` ` W | =dS` l | |



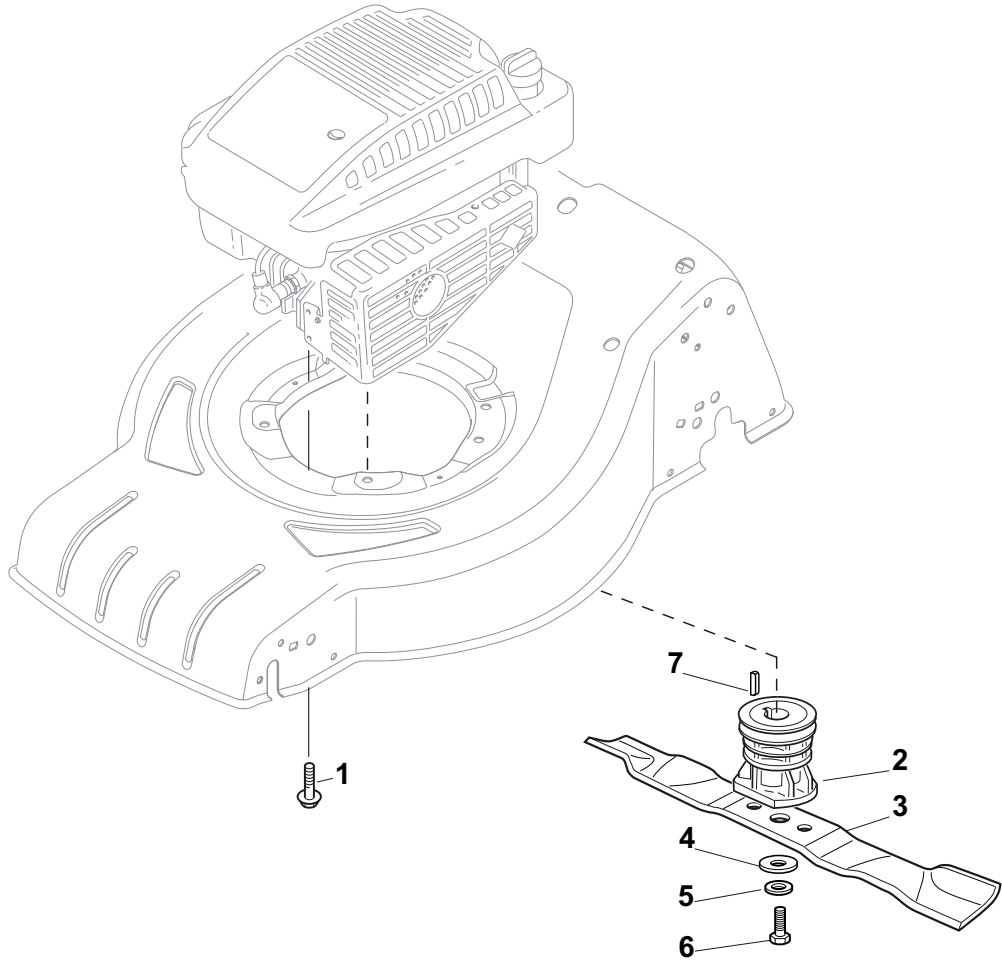
+



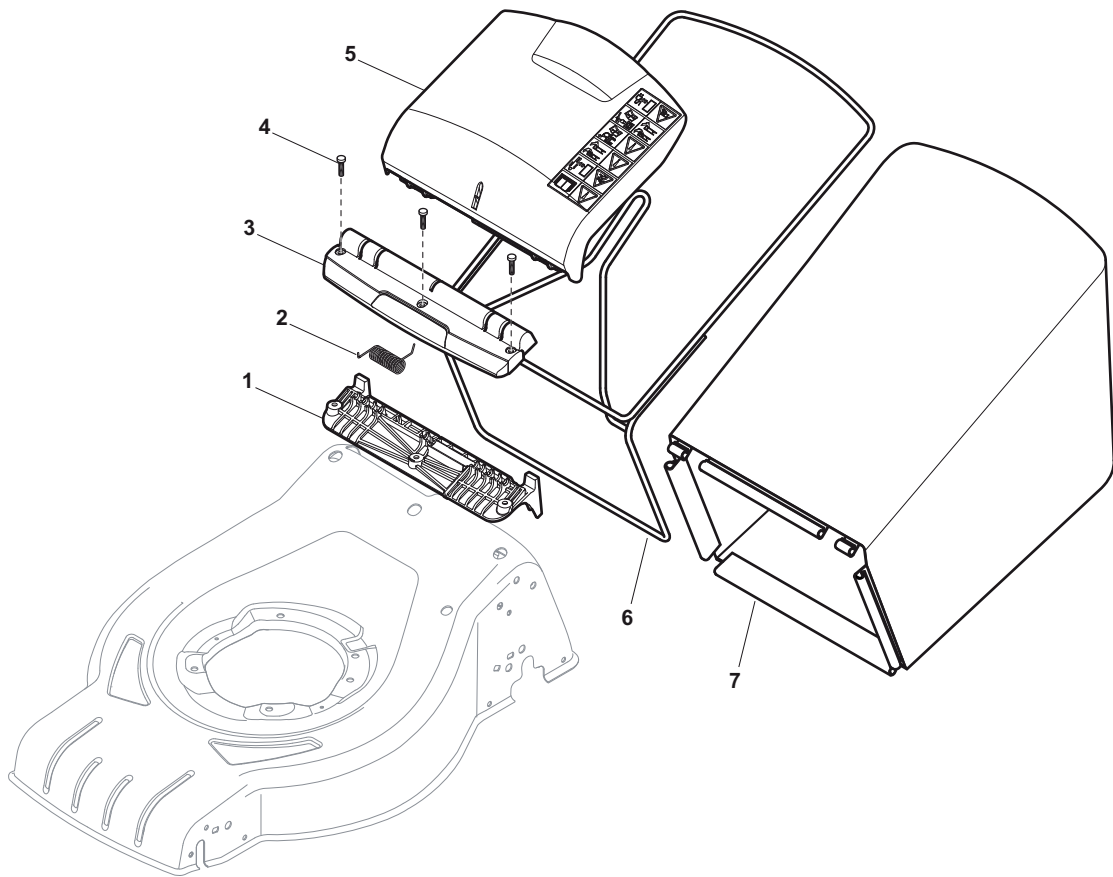
= A4



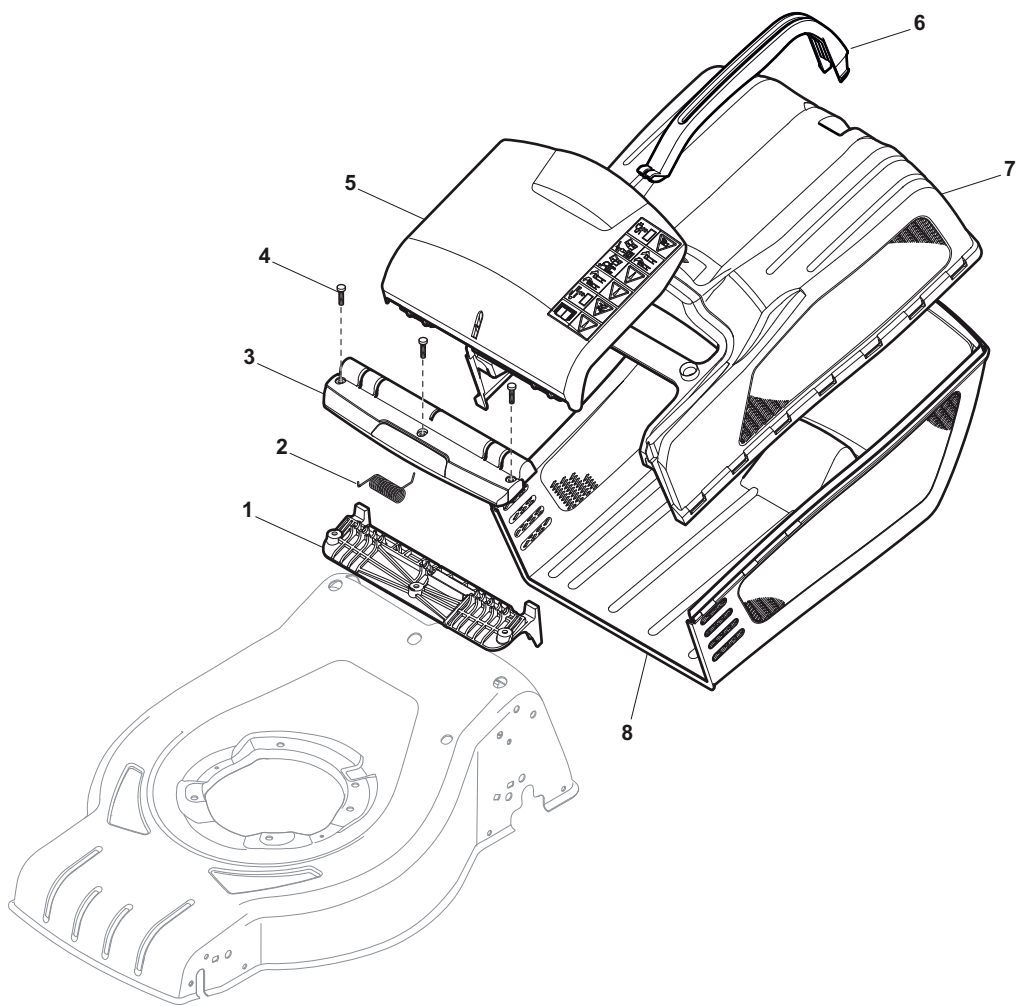
| POS | PART. NO | Q.ty | DESCRIPTION | DESCRIZIONE | DESCRIPTION | BESCHREIBUNG | REMARKS |
|-----|-------------|------|--------------|-------------------|--------------|--------------|---------|
| A1 | 322110687/0 | 2 | Hub Cap Grey | Coprимozzo Grigio | Couvre-Moyeu | Radkappe | |
| A2 | 22110382/0 | 2 | Hub Cap Grey | Coprимozzo Grigio | Couvre-Moyeu | Radkappe | |
| A3 | 22110416/0 | 2 | Hub Cap Grey | Coprимozzo Grigio | Couvre-Moyeu | Radkappe | |
| A4 | 22110492/0 | 2 | Hub Cap Grey | Coprимozzo Grigio | Couvre-Moyeu | Radkappe | |
| A5 | 322110643/0 | 2 | Hub Cap Grey | Coprимozzo Grigio | Couvre-Moyeu | Radkappe | |
| A6 | 322110645/0 | 2 | Hub Cap Grey | Coprимozzo Grigio | Couvre-Moyeu | Radkappe | |
| B1 | 322110641/0 | 2 | Hub Cap Grey | Coprимozzo Grigio | Couvre-Moyeu | Radkappe | |
| B2 | 22110511/0 | 2 | Hub Cap Grey | Coprимozzo Grigio | Couvre-Moyeu | Radkappe | |
| B3 | 322110560/0 | 2 | Hub Cap Grey | Coprимozzo Grigio | Couvre-Moyeu | Radkappe | |
| B4 | 22110417/0 | 2 | Hub Cap Grey | Coprимozzo Grigio | Couvre-Moyeu | Radkappe | |
| B5 | 322110644/0 | 2 | Hub Cap Grey | Coprимozzo Grigio | Couvre-Moyeu | Radkappe | |
| B6 | 322110646/0 | 2 | Hub Cap Grey | Coprимozzo Grigio | Couvre-Moyeu | Radkappe | |



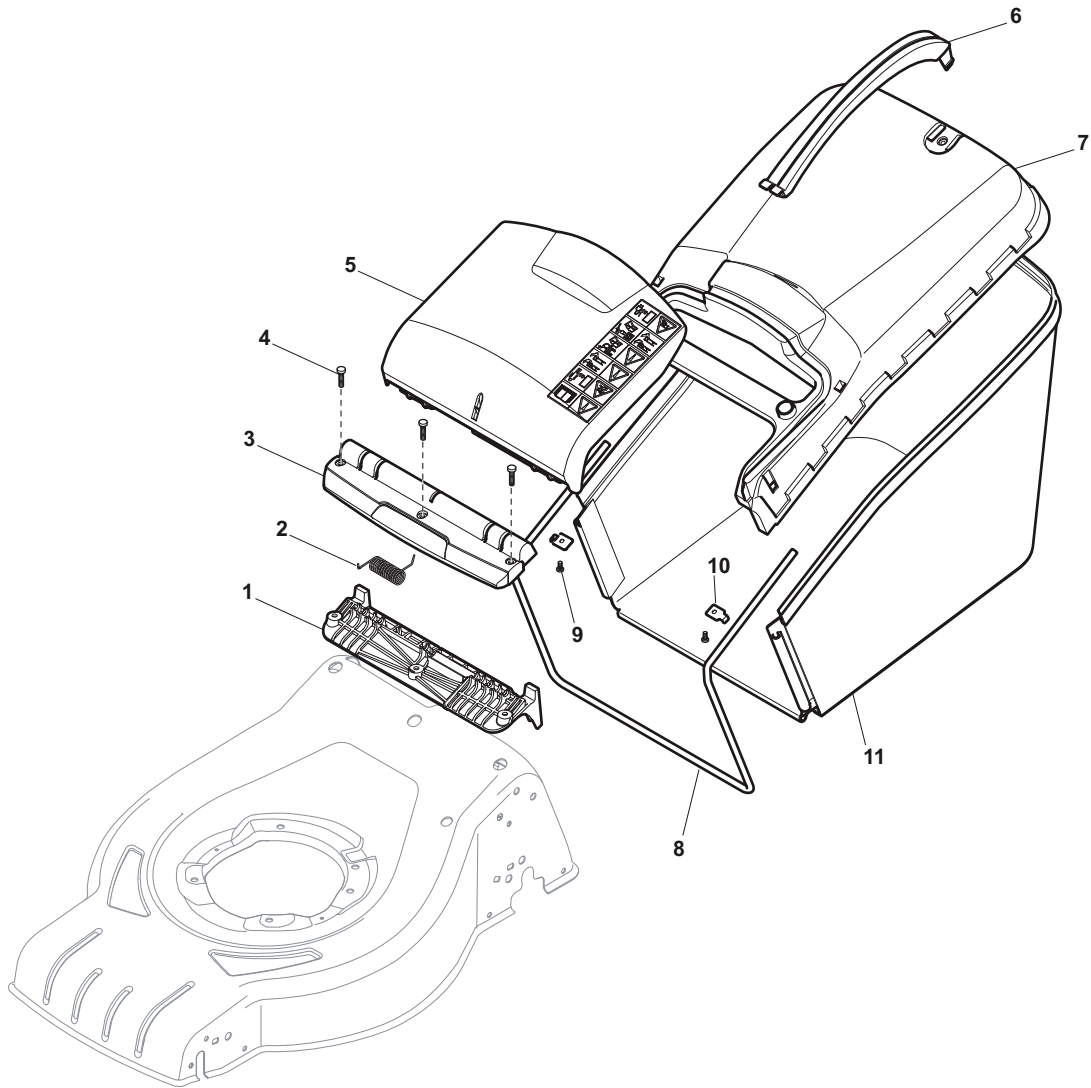
| POS | PART. NO | Q.ty | DESCRIPTION | DESCRIZIONE | DESCRIPTION | BESCHREIBUNG | REMARKS |
|-----|-------------|------|----------------------------|---------------------------------|-------------------------------|---------------------------|---------------|
| 1 | 112735109/1 | 1 | Screw | Vite | Vis | Schraube | GGP196cc |
| 1 | 112735108/1 | 2 | Screw | Vite | Vis | Schraube | GGP196cc |
| 1 | 112735108/1 | 3 | Screw | Vite | Vis | Schraube | B&S-GGP-Honda |
| 1 | 112691100/0 | 3 | Screw | Vite | Vis | Schraube | B&S E Series |
| 2 | 122465607/3 | 1 | Hub, Crankshaft Ø 22.2 | Mozzo, Albero Motore Ø 22.2 | Moyeu, Arbre Moteur Ø 22.2 | Halter, Motorwelle Ø 22.2 | B&S-GGP |
| 2 | 122465608/2 | 1 | Hub, Crankshaft Ø 25 | Mozzo, Albero Motore Ø 25 | Moyeu, Arbre Moteur Ø 25 | Halter, Motorwelle Ø 25 | Honda |
| 3 | 81004346/3 | 1 | Blade Standard | Coltello Standard | Lame Standard | Messer Standard | |
| 4 | 22160400/0 | 1 | Elastic Washer | Disco Elastico | Rondelle Elastique | Elastischescheibe | |
| 5 | 12523080/0 | 1 | Washer | Rosetta | Rondelle | Scheibe | |
| 6 | 12735698/0 | 1 | Screw | Vite | Vis | Schraube | |
| 7 | 12139100/0 | 1 | Feather, Crankshaft Ø 22.2 | Linguetta, Albero Motore Ø 22.2 | Clavette, Arbre Moteur Ø 22.2 | Keil, Motorwelle Ø 22.2 | B&S-GGP |
| 7 | 12139150/0 | 1 | Feather, Crankshaft Ø 25 | Linguetta, Albero Motore Ø 25 | Clavette, Arbre Moteur Ø 25 | Keil, Motorwelle Ø 25 | Honda |



| POS | PART. NO | Q.ty | DESCRIPTION | DESCRIZIONE | DESCRIPTION | BESCHREIBUNG | REMARKS |
|-----|-------------|------|---------------------|--------------|--------------|--------------|---------|
| 1 | 322785331/0 | 1 | Support | Supporto | Support | Halter | |
| 2 | 122450464/0 | 1 | Spring | Molla | Ressort | Feder | |
| 3 | 322109557/0 | 1 | Cover, Grey | Copertura | Couvre | Kappe | Grey |
| 3 | 322109556/0 | 1 | Cover, Yellow | Copertura | Couvre | Kappe | Yellow |
| 4 | 112728699/0 | 3 | Screw | Vite | Vis | Schraube | |
| 5 | 322600216/1 | 1 | Stone-Guard, Grey | Parasassi | Pare-Pierres | Prallblech | Grey |
| 5 | 322600214/1 | 1 | Stone-Guard, Yellow | Parasassi | Pare-Pierres | Prallblech | Yellow |
| 6 | 181006409/0 | 1 | Chassis Box | Telaio Sacco | Châssis Bac | Rahmen Sack | |
| 7 | 181002319/0 | 1 | Box, Fabric | Sacco, Tela | Sac, Toile | Sack, Tuck | |



| POS | PART. NO | Q.ty | DESCRIPTION | DESCRIZIONE | DESCRIPTION | BESCHREIBUNG | REMARKS |
|-----|-------------|------|---------------------|--------------------|------------------------|----------------|---------|
| 1 | 322785331/0 | 1 | Support | Supporto | Support | Halter | |
| 2 | 122450464/0 | 1 | Spring | Molla | Ressort | Feder | |
| 3 | 322109557/0 | 1 | Cover, Grey | Copertura | Couvre | Kappe | Grey |
| 3 | 322109556/0 | 1 | Cover, Yellow | Copertura | Couvre | Kappe | Yellow |
| 4 | 112728699/0 | 3 | Screw | Vite | Vis | Schraube | |
| 5 | 322600216/1 | 1 | Stone-Guard, Grey | Parasassi | Pare-Pierres | Prallblech | Grey |
| 5 | 322600214/1 | 1 | Stone-Guard, Yellow | Parasassi | Pare-Pierres | Prallblech | Yellow |
| 6 | 322393645/0 | 1 | Handle | Maniglia | Poignée | Griff | |
| 7 | 322486263/0 | 1 | Grassbox Upper Part | Parte Sup.Sacco | Sac, Partie Superieure | Korb Oberteil | |
| 8 | 322486267/0 | 1 | Grassbox Lower Part | Parte Infer. Sacco | Sac, Partie Inferieure | Korb Unterteil | |



| POS | PART. NO | Q.ty | DESCRIPTION | DESCRIZIONE | DESCRIPTION | BESCHREIBUNG | REMARKS |
|-----|-------------|------|---------------------|-----------------|------------------------|---------------|---------|
| 1 | 322785331/0 | 1 | Support | Supporto | Support | Halter | |
| 2 | 122450464/0 | 1 | Spring | Molla | Ressort | Feder | |
| 3 | 322109557/0 | 1 | Cover, Grey | Copertura | Couvre | Kappe | Grey |
| 3 | 322109556/0 | 1 | Cover, Yellow | Copertura | Couvre | Kappe | Yellow |
| 4 | 112728699/0 | 3 | Screw | Vite | Vis | Schraube | |
| 5 | 322600216/1 | 1 | Stone-Guard, Grey | Parasassi | Pare-Pierres | Prallblech | Grey |
| 5 | 322600214/1 | 1 | Stone-Guard, Yellow | Parasassi | Pare-Pierres | Prallblech | Yellow |
| 6 | 322393649/0 | 1 | Handle | Maniglia | Poignée | Griff | |
| 6 | 322393646/0 | 1 | Handle | Maniglia | Poignée | Griff | |
| 7 | 322486270/0 | 1 | Grassbox Upper Part | Parte Sup.Sacco | Sac, Partie Superieure | Korb Oberteil | Grey |
| 7 | 322486264/0 | 1 | Grassbox Upper Part | Parte Sup.Sacco | Sac, Partie Superieure | Korb Oberteil | Yellow |
| 8 | 122608561/0 | 1 | Stiffening Lower | Rinforzo Inf | Réinforcement Inf | Verstärkung | |
| 9 | 12728692/0 | 2 | Screw | Vite | Vis | Schraube | |
| 10 | 322545159/0 | 2 | Plate | Piastrina | Plaquette | Plättchen | |
| 11 | 181002318/0 | 1 | Box, Fabric | Sacco, Tela | Sac, Toile | Sack, Tuck | |