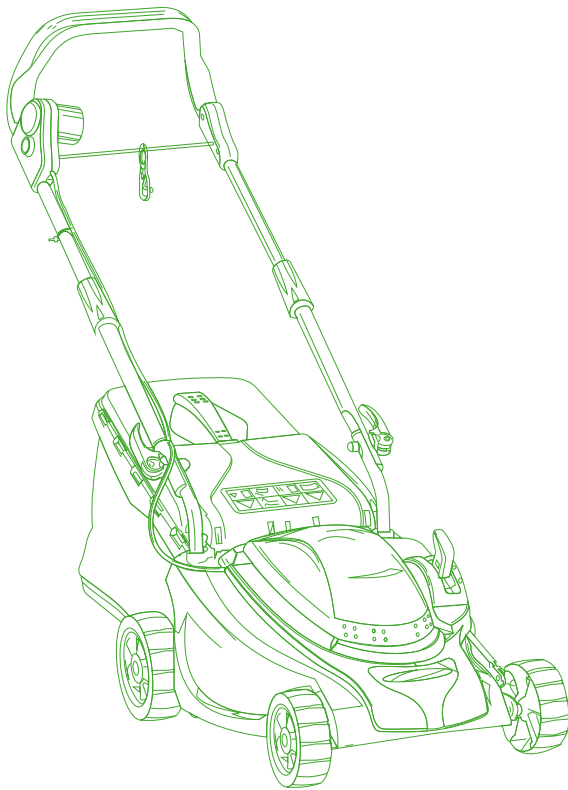


# ILLUSTRATED PARTS LIST

## NCL 390



- Use GLOBAL GARDEN PRODUCT Genuine Spare Parts specified in the parts list for repair and/or replacement.
- The contents described in the parts list may change due to improvement.
- The drawings of the spare parts are only indicative and might not represent the part in question exactly.
- The indications "right" - "left" - "front" - "rear" refer to the position of the operator when using the machine.
- When placing orders of parts for repair and/or replacement, make sure that the illustrated parts list is the one applying to the machine's year of manufacture, as shown on the identification plate attached to the machine.

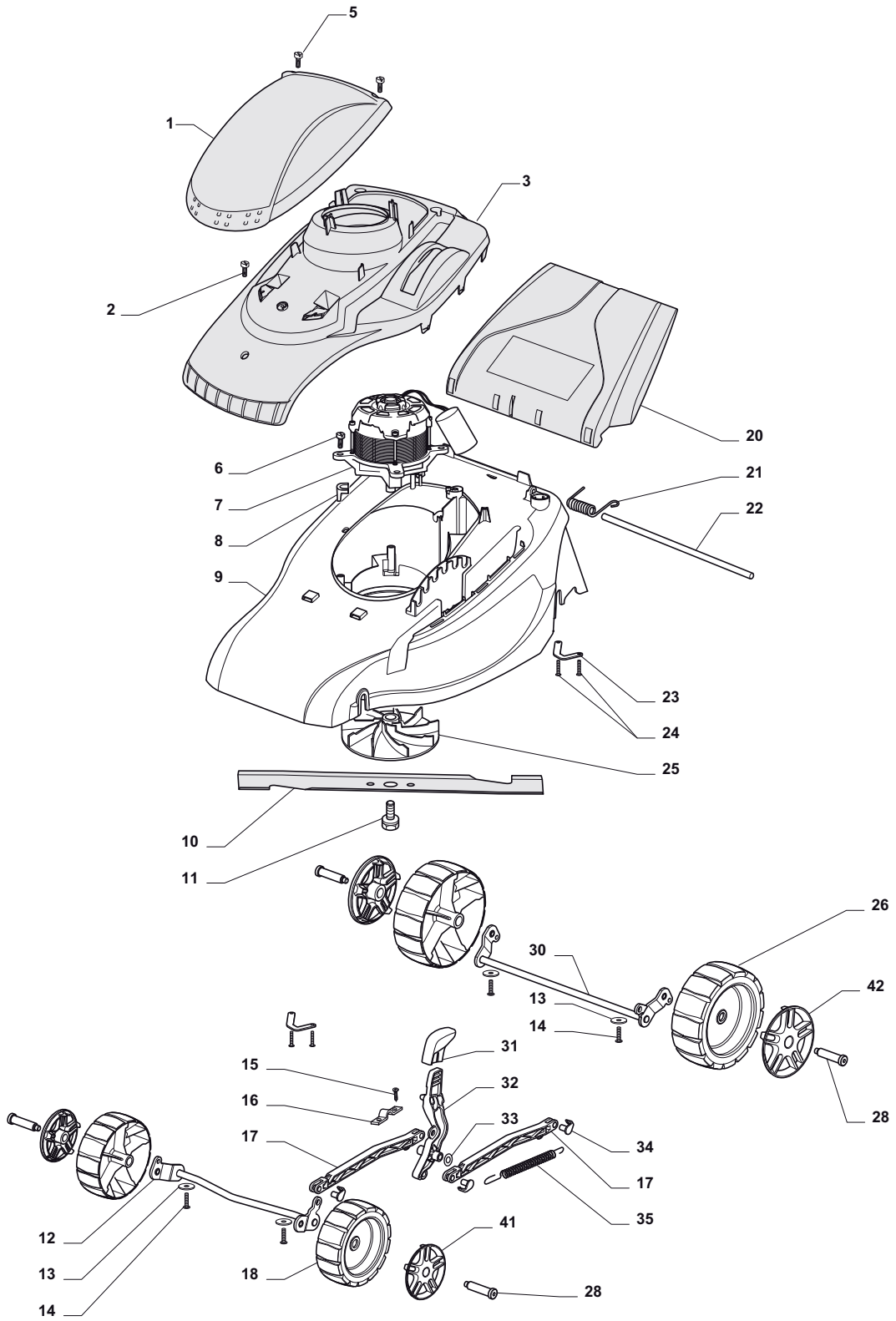
© Copyright 2012 Global Garden Products

All content is subject to copyright by Global Garden Products and may not be reproduced in whole or in part by any means, electronic or otherwise, without prior written approval.

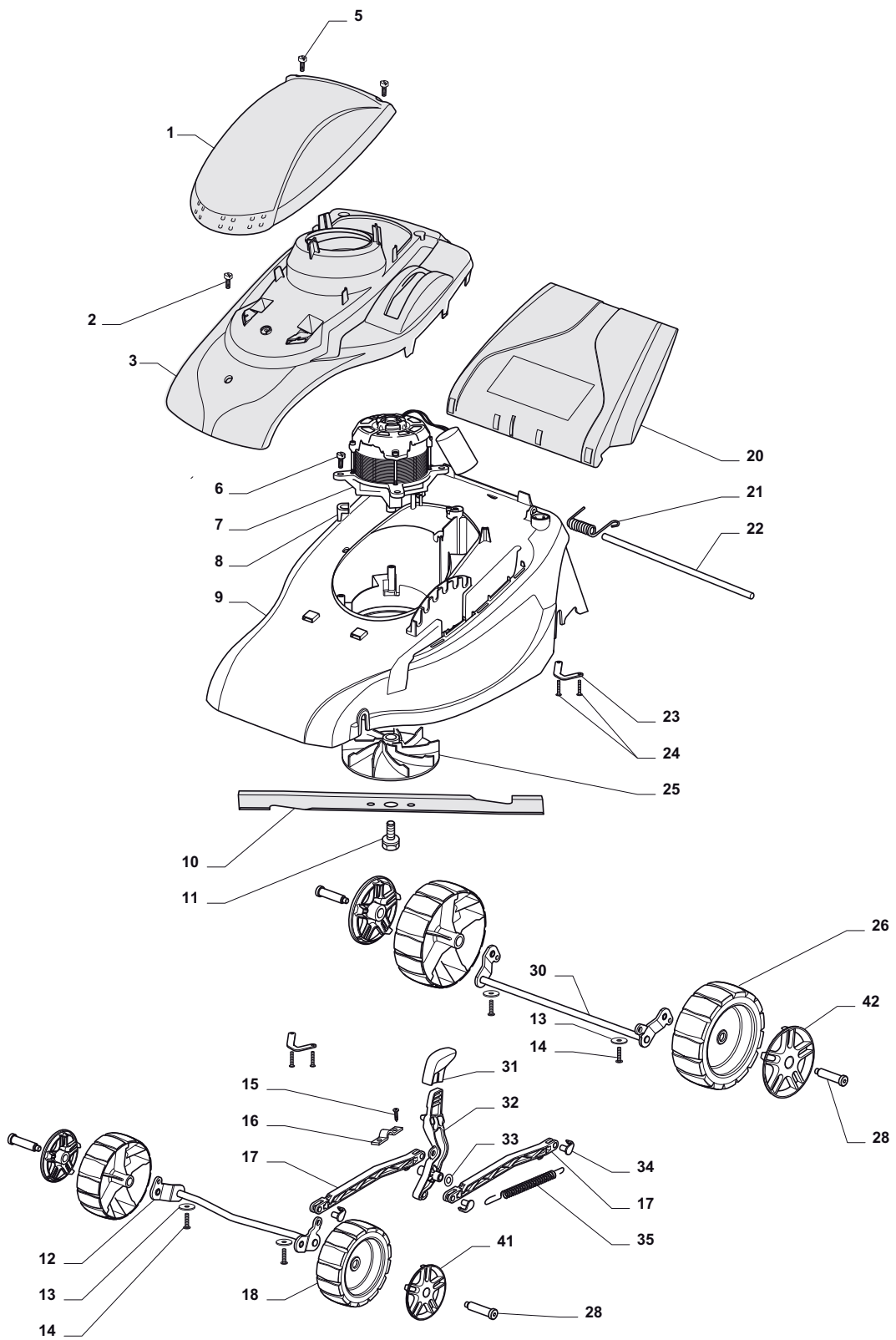
THIS INFORMATION IS NOT INTENDED FOR SALE OR RESALE, AND THIS NOTICE MUST REMAIN ON ALL COPIES.



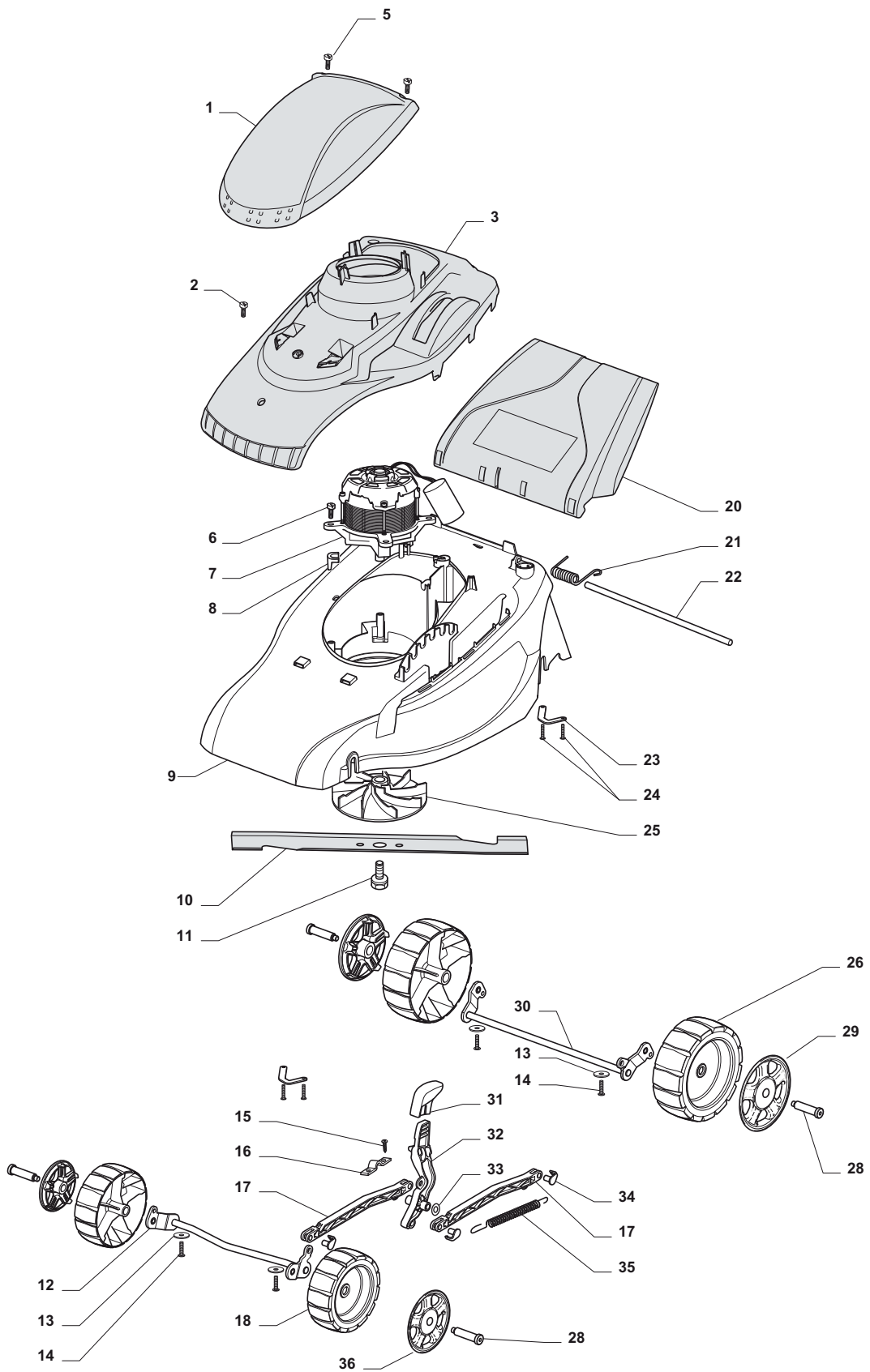
GLOBAL GARDEN PRODUCTS



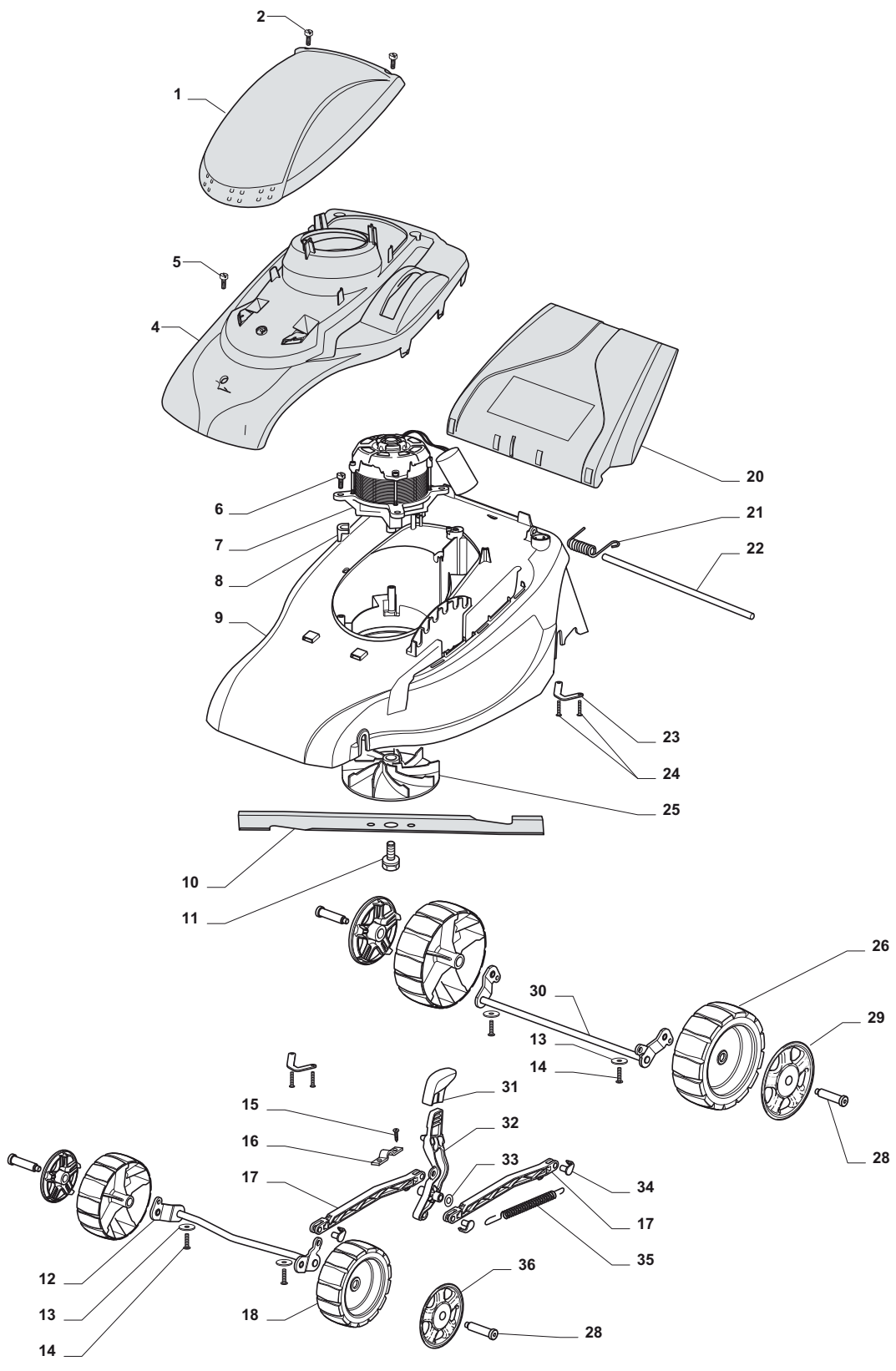
| POS | PART. NO    | Q.ty | DESCRIPTION              | DESCRIZIONE                 | DESCRIPTION            | BESCHREIBUNG           | REMARKS |
|-----|-------------|------|--------------------------|-----------------------------|------------------------|------------------------|---------|
| 1   | 322055128/0 | 1    | Cover Red                | Capottina Rosso             | Capot Rouge            | Haube Rot              |         |
| 1   | 322055129/0 | 1    | Cover Yellow             | Capottina Giallo            | Capot Jaune            | Haube Gelb             |         |
| 2   | 12728124/0  | 1    | Screw                    | Vite                        | Vis                    | Schraube               |         |
| 3   | 322785254/0 | 1    | Grey Support, Cover      | Supporto Capottina, Grigio  | Support Capot Gris     | Halter, Haube Grau     |         |
| 5   | 12728701/0  | 2    | Screw                    | Vite                        | Vis                    | Schraube               |         |
| 6   | 12735410/0  | 4    | Screw                    | Vite                        | Vis                    | Schraube               |         |
| 7   | 118563661/0 | 1    | Motor                    | Motore                      | Moteur                 | Motor                  | (1500W) |
| 7   | 118563660/0 | 1    | Motor                    | Motore                      | Moteur                 | Motor                  | (1300W) |
| 8   | 22167700/0  | 4    | Spacer                   | Distanziale                 | Entretoise             | Distanzring            |         |
| 9   | 322066721/0 | 1    | Deck Red                 | Chassis Rosso               | Châssis Rouge          | Gehäuse Rot            |         |
| 9   | 322066722/0 | 1    | Deck Yellow              | Chassis Giallo              | Châssis Jaune          | Gehäuse Gelb           |         |
| 10  | 81004142/0  | 1    | Blade                    | Coltello                    | Lame                   | Messer                 |         |
| 11  | 381004352/1 | 1    | Screw                    | Vite                        | Vis                    | Schraube               |         |
| 12  | 381002855/0 | 1    | Axle, Front Wheels       | Asse Ruote Anteriori        | Axe Roues Avant        | Achse, Vorderrad       |         |
| 13  | 12523050/0  | 4    | Washer                   | Rosetta                     | Rondelle               | Scheibe                |         |
| 14  | 112728705/0 | 4    | Screw                    | Vite                        | Vis                    | Schraube               |         |
| 15  | 12728701/0  | 2    | Screw                    | Vite                        | Vis                    | Schraube               |         |
| 16  | 25547049/0  | 1    | Plate                    | Piastrina                   | Plaquette              | Plättchen              |         |
| 17  | 322869669/0 | 2    | Tie Rod                  | Asta Comando Regol. Altezza | Tirant                 | Spannstange            |         |
| 18  | 322686094/0 | 2    | Wheel Ø 130              | Ruota Ø 130                 | Roue Ø 130             | Rad Ø 130              |         |
| 20  | 322600174/1 | 1    | Stone-Guard, Grey        | Parasassi Grigio            | Pare-Pierres, Gris     | Prallblech, Grau       |         |
| 21  | 22450250/0  | 1    | Spring                   | Molla                       | Ressort                | Feder                  |         |
| 22  | 22512601/0  | 1    | Pin                      | Perno                       | Pivot                  | Bolzen                 |         |
| 23  | 322545175/0 | 1    | Plate                    | Piastrina                   | Plaquette              | Plättchen              |         |
| 24  | 12728701/0  | 2    | Screw                    | Vite                        | Vis                    | Schraube               |         |
| 25  | 322465602/1 | 1    | Hub                      | Mozzo/Girante               | Moyeu                  | Halter                 |         |
| 26  | 322686095/0 | 2    | Wheel Ø 160              | Ruota Ø 160                 | Roue Ø 160             | Rad Ø 160              |         |
| 28  | 22524337/0  | 4    | Pin                      | Perno                       | Pivot                  | Bolzen                 |         |
| 30  | 381002857/0 | 1    | Axle, Rear Wheels        | Asse Ruote Posteriori       | Axe Roues Arriere      | Achse, Hinterrad       |         |
| 31  | 322399827/0 | 1    | Knob                     | Manopolina                  | Poignée                | Griff                  |         |
| 32  | 322321528/0 | 1    | Lever, Height Adjustment | Leva Regolazione Altezza    | Levier Reglage Hauteur | Hebel, Höneverstellung |         |
| 33  | 112520033/0 | 1    | Washer                   | Rosetta                     | Rondelle               | Scheibe                |         |
| 34  | 22524338/0  | 4    | Pin                      | Perno                       | Pivot                  | Bolzen                 |         |
| 35  | 122450425/0 | 2    | Spring                   | Molla                       | Ressort                | Feder                  |         |
| 41  | 322110561/0 | 2    | Hub Cap Grey             | Coprिमozzo Grigio           | Couvre-Moyeu Gris      | Radkappe Grau          |         |
| 42  | 322110562/0 | 2    | Hub Cap Grey             | Coprिमozzo Grigio           | Couvre-Moyeu Gris      | Radkappe Grau          |         |



| POS | PART. NO    | Q.ty | DESCRIPTION              | DESCRIZIONE                 | DESCRIPTION            | BESCHREIBUNG           | REMARKS |
|-----|-------------|------|--------------------------|-----------------------------|------------------------|------------------------|---------|
| 1   | 322055128/0 | 1    | Cover Red                | Capottina Rosso             | Capot Rouge            | Haube Rot              |         |
| 1   | 322055129/0 | 1    | Cover Yellow             | Capottina Giallo            | Capot Jaune            | Haube Gelb             |         |
| 2   | 12728124/0  | 1    | Screw                    | Vite                        | Vis                    | Schraube               |         |
| 3   | 322785254/0 | 1    | Grey Support, Cover      | Supporto Capottina, Grigio  | Support Capot Gris     | Halter, Haube Grau     |         |
| 5   | 12728701/0  | 2    | Screw                    | Vite                        | Vis                    | Schraube               |         |
| 6   | 12735410/0  | 4    | Screw                    | Vite                        | Vis                    | Schraube               |         |
| 7   | 118563661/0 | 1    | Motor                    | Motore                      | Moteur                 | Motor                  | (1500W) |
| 7   | 118563660/0 | 1    | Motor                    | Motore                      | Moteur                 | Motor                  | (1300W) |
| 8   | 22167700/0  | 4    | Spacer                   | Distanziale                 | Entretoise             | Distanzring            |         |
| 9   | 322066721/0 | 1    | Deck Red                 | Chassis Rosso               | Châssis Rouge          | Gehäuse Rot            |         |
| 9   | 322066722/0 | 1    | Deck Yellow              | Chassis Giallo              | Châssis Jaune          | Gehäuse Gelb           |         |
| 10  | 81004142/0  | 1    | Blade                    | Coltello                    | Lame                   | Messer                 |         |
| 11  | 381004352/1 | 1    | Screw                    | Vite                        | Vis                    | Schraube               |         |
| 12  | 381002855/0 | 1    | Axle, Front Wheels       | Asse Ruote Anteriori        | Axe Roues Avant        | Achse, Vorderrad       |         |
| 13  | 12523050/0  | 4    | Washer                   | Rosetta                     | Rondelle               | Scheibe                |         |
| 14  | 112728705/0 | 4    | Screw                    | Vite                        | Vis                    | Schraube               |         |
| 15  | 12728701/0  | 2    | Screw                    | Vite                        | Vis                    | Schraube               |         |
| 16  | 25547049/0  | 1    | Plate                    | Piastrina                   | Plaquette              | Plättchen              |         |
| 17  | 322869669/0 | 2    | Tie Rod                  | Asta Comando Regol. Altezza | Tirant                 | Spannstange            |         |
| 18  | 322686094/0 | 2    | Wheel Ø 130              | Ruota Ø 130                 | Roue Ø 130             | Rad Ø 130              |         |
| 20  | 322600174/0 | 1    | Stone-Guard, Grey        | Parasassi Grigio            | Pare-Pierres, Gris     | Prallblech, Grau       |         |
| 21  | 22450250/0  | 1    | Spring                   | Molla                       | Ressort                | Feder                  |         |
| 22  | 22512601/0  | 1    | Pin                      | Perno                       | Pivot                  | Bolzen                 |         |
| 23  | 322545175/0 | 1    | Plate                    | Piastrina                   | Plaquette              | Plättchen              |         |
| 24  | 12728701/0  | 2    | Screw                    | Vite                        | Vis                    | Schraube               |         |
| 25  | 322465602/1 | 1    | Hub                      | Mozzo/Girante               | Moyeu                  | Halter                 |         |
| 26  | 322686095/0 | 2    | Wheel Ø 160              | Ruota Ø 160                 | Roue Ø 160             | Rad Ø 160              |         |
| 28  | 22524337/0  | 4    | Pin                      | Perno                       | Pivot                  | Bolzen                 |         |
| 30  | 381002857/0 | 1    | Axle, Rear Wheels        | Asse Ruote Posteriori       | Axe Roues Arriere      | Achse, Hinterrad       |         |
| 31  | 322399827/0 | 1    | Knob                     | Manopolina                  | Poignée                | Griff                  |         |
| 32  | 322321528/0 | 1    | Lever, Height Adjustment | Leva Regolazione Altezza    | Levier Reglage Hauteur | Hebel, Höneverstellung |         |
| 33  | 112520033/0 | 1    | Washer                   | Rosetta                     | Rondelle               | Scheibe                |         |
| 34  | 22524338/0  | 4    | Pin                      | Perno                       | Pivot                  | Bolzen                 |         |
| 35  | 122450425/0 | 2    | Spring                   | Molla                       | Ressort                | Feder                  |         |
| 41  | 322110561/0 | 2    | Hub Cap Grey             | Coprिमozzo Grigio           | Couvre-Moyeu Gris      | Radkappe Grau          |         |
| 42  | 322110562/0 | 2    | Hub Cap Grey             | Coprिमozzo Grigio           | Couvre-Moyeu Gris      | Radkappe Grau          |         |

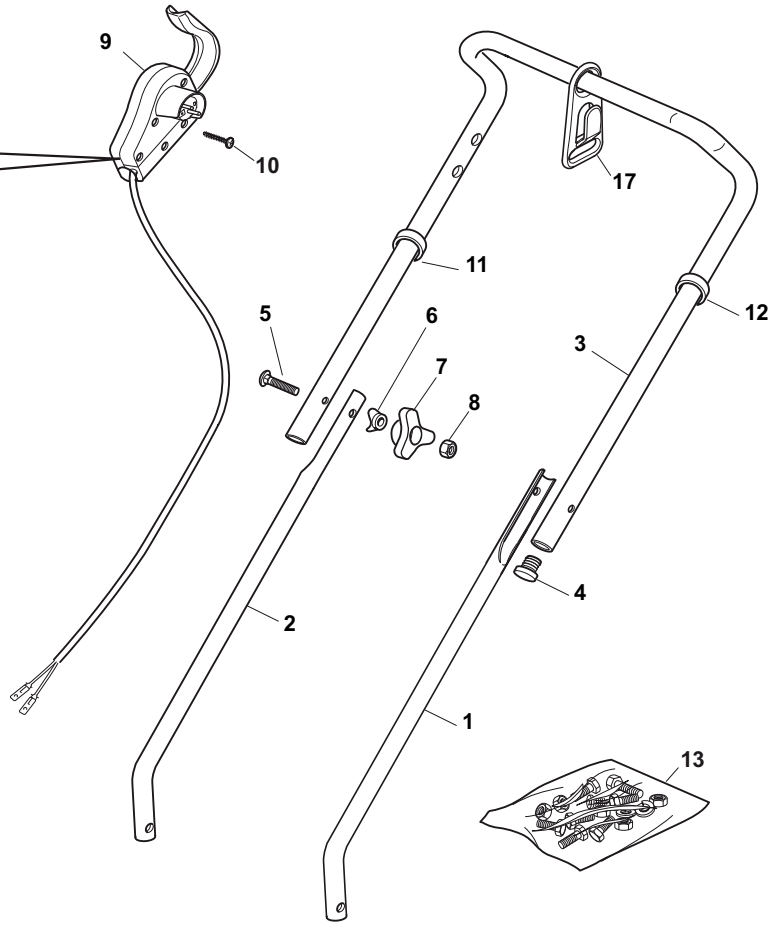
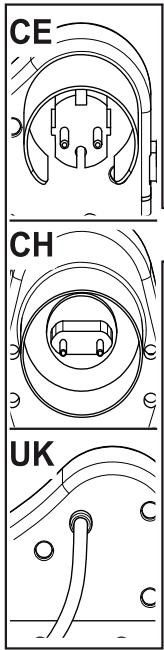


| POS | PART. NO    | Q.ty | DESCRIPTION              | DESCRIZIONE                 | DESCRIPTION            | BESCHREIBUNG           | REMARKS |
|-----|-------------|------|--------------------------|-----------------------------|------------------------|------------------------|---------|
| 1   | 322055128/0 | 1    | Cover Red                | Capottina Rosso             | Capot Rouge            | Haube Rot              |         |
| 1   | 322055129/0 | 1    | Cover Yellow             | Capottina Giallo            | Capot Jaune            | Haube Gelb             |         |
| 2   | 12728124/0  | 1    | Screw                    | Vite                        | Vis                    | Schraube               |         |
| 3   | 322785254/0 | 1    | Grey Support, Cover      | Supporto Capottina, Grigio  | Support Capot Gris     | Halter, Haube Grau     |         |
| 5   | 12728701/0  | 2    | Screw                    | Vite                        | Vis                    | Schraube               |         |
| 6   | 12735410/0  | 4    | Screw                    | Vite                        | Vis                    | Schraube               |         |
| 7   | 118563661/0 | 1    | Motor                    | Motore                      | Moteur                 | Motor                  | (1500W) |
| 7   | 118563660/0 | 1    | Motor                    | Motore                      | Moteur                 | Motor                  | (1300W) |
| 8   | 22167700/0  | 4    | Spacer                   | Distanziale                 | Entretoise             | Distanzring            |         |
| 9   | 322066721/0 | 1    | Deck Red                 | Chassis Rosso               | Châssis Rouge          | Gehäuse Rot            |         |
| 9   | 322066722/0 | 1    | Deck Yellow              | Chassis Giallo              | Châssis Jaune          | Gehäuse Gelb           |         |
| 10  | 81004142/0  | 1    | Blade                    | Coltello                    | Lame                   | Messer                 |         |
| 11  | 381004352/1 | 1    | Screw                    | Vite                        | Vis                    | Schraube               |         |
| 12  | 381002855/0 | 1    | Axle, Front Wheels       | Asse Ruote Anteriori        | Axe Roues Avant        | Achse, Vorderrad       |         |
| 13  | 12523050/0  | 4    | Washer                   | Rosetta                     | Rondelle               | Scheibe                |         |
| 14  | 112728705/0 | 4    | Screw                    | Vite                        | Vis                    | Schraube               |         |
| 15  | 12728701/0  | 2    | Screw                    | Vite                        | Vis                    | Schraube               |         |
| 16  | 25547049/0  | 1    | Plate                    | Piastrina                   | Plaquette              | Plättchen              |         |
| 17  | 322869669/0 | 2    | Tie Rod                  | Asta Comando Regol. Altezza | Tirant                 | Spannstange            |         |
| 18  | 322686094/0 | 2    | Wheel Ø 130              | Ruota Ø 130                 | Roue Ø 130             | Rad Ø 130              |         |
| 20  | 322600174/1 | 1    | Stone-Guard, Grey        | Parasassi Grigio            | Pare-Pierres, Gris     | Prallblech, Grau       |         |
| 21  | 22450250/0  | 1    | Spring                   | Molla                       | Ressort                | Feder                  |         |
| 22  | 22512601/0  | 1    | Pin                      | Perno                       | Pivot                  | Bolzen                 |         |
| 23  | 322545175/0 | 1    | Plate                    | Piastrina                   | Plaquette              | Plättchen              |         |
| 24  | 12728701/0  | 2    | Screw                    | Vite                        | Vis                    | Schraube               |         |
| 25  | 322465602/1 | 1    | Hub                      | Mozzo/Girante               | Moyeu                  | Halter                 |         |
| 26  | 322686095/0 | 2    | Wheel Ø 160              | Ruota Ø 160                 | Roue Ø 160             | Rad Ø 160              |         |
| 28  | 22524337/0  | 4    | Pin                      | Perno                       | Pivot                  | Bolzen                 |         |
| 29  | 22110421/0  | 2    | Hub Cap Grey             | Coprिमozzo Grigio           | Couvre-Moyeu Gris      | Radkappe Grau          |         |
| 30  | 381002857/0 | 1    | Axle, Rear Wheels        | Asse Ruote Posteriori       | Axe Roues Arriere      | Achse, Hinterrad       |         |
| 31  | 322399827/0 | 1    | Knob                     | Manopolina                  | Poignée                | Griff                  |         |
| 32  | 322321528/0 | 1    | Lever, Height Adjustment | Leva Regolazione Altezza    | Levier Reglage Hauteur | Hebel, Höneverstellung |         |
| 33  | 112520033/0 | 1    | Washer                   | Rosetta                     | Rondelle               | Scheibe                |         |
| 34  | 22524338/0  | 4    | Pin                      | Perno                       | Pivot                  | Bolzen                 |         |
| 35  | 122450425/0 | 2    | Spring                   | Molla                       | Ressort                | Feder                  |         |
| 36  | 22110420/0  | 2    | Hub Cap Grey             | Coprिमozzo Grigio           | Couvre-Moyeu Gris      | Radkappe Grau          |         |

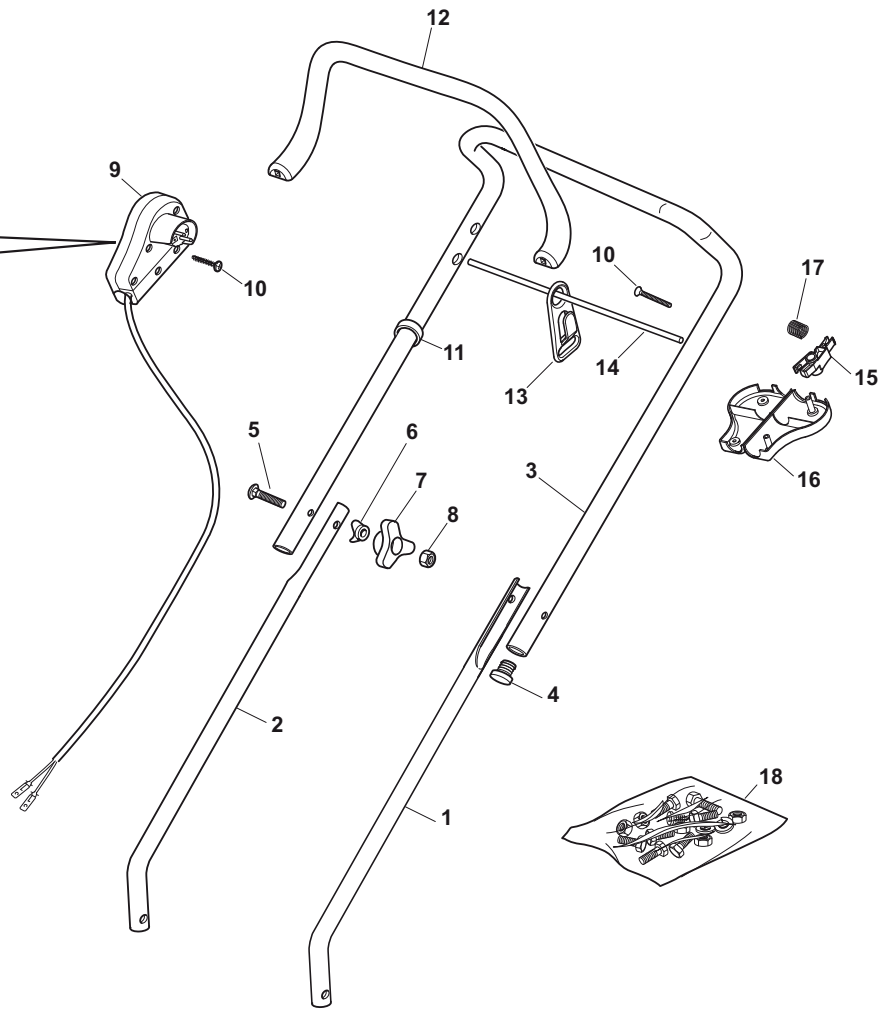
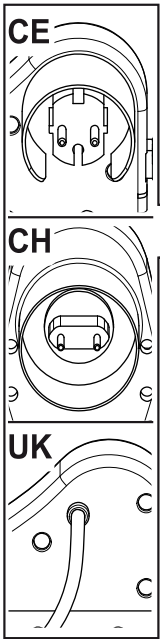




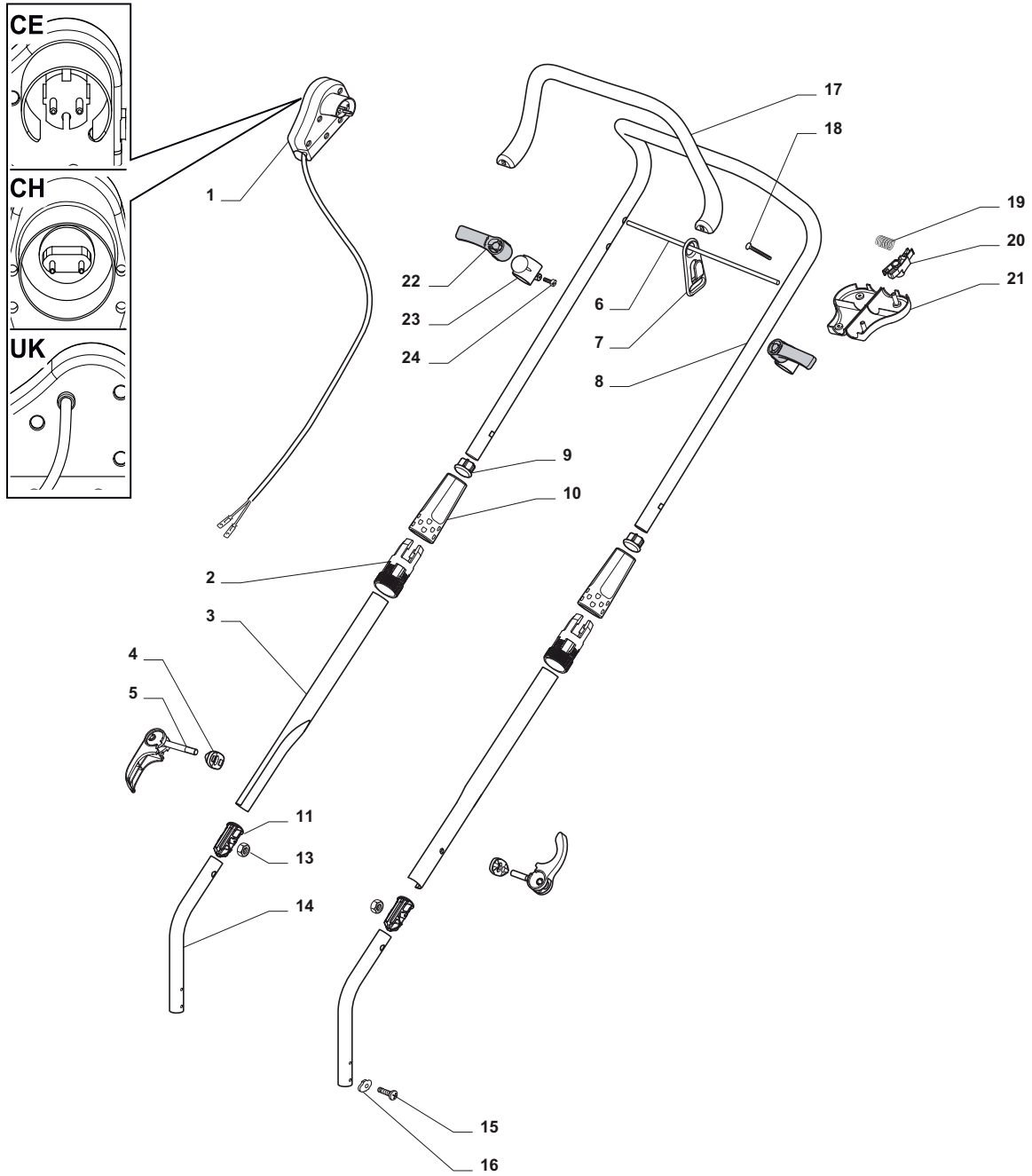
| POS | PART. NO    | Q.ty | DESCRIPTION              | DESCRIZIONE                 | DESCRIPTION            | BESCHREIBUNG           | REMARKS |
|-----|-------------|------|--------------------------|-----------------------------|------------------------|------------------------|---------|
| 1   | 322055128/0 | 1    | Cover Red                | Capottina Rosso             | Capot Rouge            | Haube Rot              |         |
| 1   | 322055129/0 | 1    | Cover Yellow             | Capottina Giallo            | Capot Jaune            | Haube Gelb             |         |
| 1   | 322055135/0 | 1    | Cover Yellow             | Capottina Giallo            | Capot Jaune            | Haube Gelb             |         |
| 2   | 12728124/0  | 1    | Screw                    | Vite                        | Vis                    | Schraube               |         |
| 4   | 322785246/0 | 1    | Grey Support, Cover      | Supporto Capottina, Grigio  | Support Capot Gris     | Halter, Haube Grau     |         |
| 4   | 322785247/0 | 1    | Black Support, Cover     | Supporto Capottina, Nero    | Support Capot Noir     | Halter, Haube Schwarz  |         |
| 5   | 12728701/0  | 2    | Screw                    | Vite                        | Vis                    | Schraube               |         |
| 6   | 12735410/0  | 4    | Screw                    | Vite                        | Vis                    | Schraube               |         |
| 7   | 118563661/0 | 1    | Motor                    | Motore                      | Moteur                 | Motor                  | (1500W) |
| 7   | 118563660/0 | 1    | Motor                    | Motore                      | Moteur                 | Motor                  | (1300W) |
| 8   | 22167700/0  | 4    | Spacer                   | Distanziale                 | Entretoise             | Distanzring            |         |
| 9   | 322066721/0 | 1    | Deck Red                 | Chassis Rosso               | Châssis Rouge          | Gehäuse Rot            |         |
| 9   | 322066722/0 | 1    | Deck Yellow              | Chassis Giallo              | Châssis Jaune          | Gehäuse Gelb           |         |
| 10  | 81004142/0  | 1    | Blade                    | Coltello                    | Lame                   | Messer                 |         |
| 11  | 381004352/1 | 1    | Screw                    | Vite                        | Vis                    | Schraube               |         |
| 12  | 381002855/0 | 1    | Axle, Front Wheels       | Asse Ruote Anteriori        | Axe Roues Avant        | Achse, Vorderrad       |         |
| 13  | 12523050/0  | 4    | Washer                   | Rosetta                     | Rondelle               | Scheibe                |         |
| 14  | 112728705/0 | 4    | Screw                    | Vite                        | Vis                    | Schraube               |         |
| 15  | 12728701/0  | 2    | Screw                    | Vite                        | Vis                    | Schraube               |         |
| 16  | 25547049/0  | 1    | Plate                    | Piastrina                   | Plaquette              | Plättchen              |         |
| 17  | 322869669/0 | 2    | Tie Rod                  | Asta Comando Regol. Altezza | Tirant                 | Spannstange            |         |
| 18  | 322686094/0 | 2    | Wheel Ø 130              | Ruota Ø 130                 | Roue Ø 130             | Rad Ø 130              |         |
| 20  | 322600174/0 | 1    | Stone-Guard, Grey        | Parasassi Grigio            | Pare-Pierres, Gris     | Prallblech, Grau       |         |
| 21  | 22450250/0  | 1    | Spring                   | Molla                       | Ressort                | Feder                  |         |
| 22  | 22512601/0  | 1    | Pin                      | Perno                       | Pivot                  | Bolzen                 |         |
| 23  | 322545175/0 | 1    | Plate                    | Piastrina                   | Plaquette              | Plättchen              |         |
| 24  | 12728701/0  | 2    | Screw                    | Vite                        | Vis                    | Schraube               |         |
| 25  | 322465602/1 | 1    | Hub                      | Mozzo/Girante               | Moyeu                  | Halter                 |         |
| 26  | 322686095/0 | 2    | Wheel Ø 160              | Ruota Ø 160                 | Roue Ø 160             | Rad Ø 160              |         |
| 28  | 22524337/0  | 4    | Pin                      | Perno                       | Pivot                  | Bolzen                 |         |
| 29  | 22110421/0  | 2    | Hub Cap Grey             | Coprिमozzo Grigio           | Couvre-Moyeu Gris      | Radkappe Grau          |         |
| 30  | 381002857/0 | 1    | Axle, Rear Wheels        | Asse Ruote Posteriori       | Axe Roues Arriere      | Achse, Hinterrad       |         |
| 31  | 322399827/0 | 1    | Knob                     | Manopolina                  | Poignée                | Griff                  |         |
| 32  | 322321528/0 | 1    | Lever, Height Adjustment | Leva Regolazione Altezza    | Levier Reglage Hauteur | Hebel, Höneverstellung |         |
| 33  | 112520033/0 | 1    | Washer                   | Rosetta                     | Rondelle               | Scheibe                |         |
| 34  | 22524338/0  | 4    | Pin                      | Perno                       | Pivot                  | Bolzen                 |         |
| 35  | 122450425/0 | 2    | Spring                   | Molla                       | Ressort                | Feder                  |         |
| 36  | 22110420/0  | 2    | Hub Cap Grey             | Coprिमozzo Grigio           | Couvre-Moyeu Gris      | Radkappe Grau          |         |



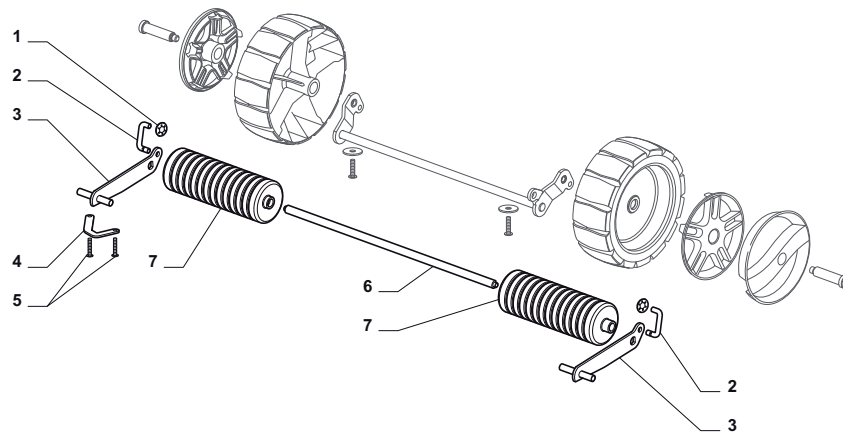
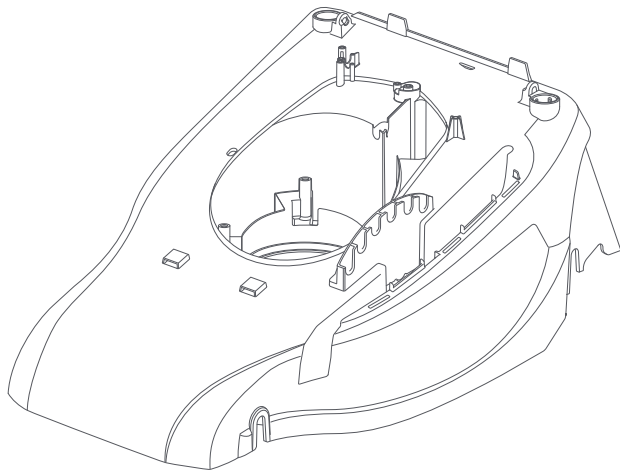
| POS | PART. NO    | Q.ty | DESCRIPTION        | DESCRIZIONE          | DESCRIPTION             | BESCHREIBUNG           | REMARKS |
|-----|-------------|------|--------------------|----------------------|-------------------------|------------------------|---------|
| 1   | 381006940/2 | 1    | Handle, L Lower    | Manico, Parte Inf Sx | Mancheron, Partie Infer | Holm, Linke Unterteil  |         |
| 2   | 381006939/2 | 1    | Handle, R Lower    | Manico, Parte Inf Dx | Mancheron, Partie Infer | Holm, Rechte Unterteil |         |
| 3   | 81006941/4  | 1    | Handle, Upper Part | Manico, Parte Sup    | Mancheron, Partie Sup.  | Holm, Oberteil         |         |
| 4   | 18566112/0  | 2    | Cap                | Puntale              | Bouchon                 | Gummistopfen           |         |
| 5   | 12815245/0  | 2    | Screw              | Vite                 | Vis                     | Schraube               |         |
| 6   | 22680006/1  | 2    | Washer             | Rosetta              | Rondelle                | Scheibe                |         |
| 7   | 22399903/0  | 2    | Knob               | Manopolina           | Poignée                 | Griff                  |         |
| 8   | 12293200/0  | 2    | Nut                | Dado                 | Ecrou                   | Mutter                 |         |
| 9   | 381600500/2 | 1    | Dead Hand Switch   | Salvatore            | Int. Main Morte         | Tot Manschalter        | CE      |
| 9   | 381600501/2 | 1    | Dead Hand Switch   | Salvatore            | Int. Main Morte         | Tot Manschalter        | UK      |
| 9   | 381600502/2 | 1    | Dead Hand Switch   | Salvatore            | Int. Main Morte         | Tot Manschalter        | CH      |
| 10  | 12728701/0  | 2    | Screw              | Vite                 | Vis                     | Schraube               |         |
| 11  | 22192000/1  | 1    | Anchor Clamp       | Fascetta             | Collier Ancrage         | Bowdenzughalter        |         |
| 12  | 22192151/0  | 1    | Fairlead           | Fermacavo            | Fixation Cable          | Kabelbefestigung       |         |
| 13  | 81008669/0  | 1    | Outfit, Screws     | Dotazione Viteria    | Dotation Visserie       | Satz, Schrauben        |         |
| 17  | 322195101/4 | 1    | Anchor Clamp       | Fascetta             | Collier Ancrage         | Bowdenzughalter        |         |



| POS | PART. NO    | Q.ty | DESCRIPTION              | DESCRIZIONE               | DESCRIPTION                    | BESCHREIBUNG             | REMARKS |
|-----|-------------|------|--------------------------|---------------------------|--------------------------------|--------------------------|---------|
| 1   | 381006940/2 | 1    | Handle, L Lower          | Manico, Parte Inf Sx      | Mancheron, Partie Inferieure G | Holm, Linke Unterteil    |         |
| 2   | 381006939/2 | 1    | Handle, R Lower          | Manico, Parte Inf Dx      | Mancheron, Partie Inferieure D | Holm, Rechte Unterteil   |         |
| 3   | 81006941/4  | 1    | Handle, Upper Part       | Manico, Parte Sup         | Mancheron, Partie Sup.         | Holm, Oberteil           |         |
| 4   | 18566112/0  | 2    | Cap                      | Puntale                   | Bouchon                        | Gummistopfen             |         |
| 5   | 12815245/0  | 2    | Screw                    | Vite                      | Vis                            | Schraube                 |         |
| 6   | 22680006/1  | 2    | Washer                   | Rosetta                   | Rondelle                       | Scheibe                  |         |
| 7   | 22399900/0  | 2    | Knob                     | Manopolina                | Poignée                        | Griff                    |         |
| 8   | 12293200/0  | 2    | Nut                      | Dado                      | Ecrou                          | Mutter                   |         |
| 9   | 381600503/4 | 1    | Dead Hand Switch         | Salvamotore               | Int. Main Morte                | Tot Manschalter          | CE      |
| 9   | 381600505/4 | 1    | Dead Hand Switch         | Salvamotore               | Int. Main Morte                | Tot Manschalter          | UK      |
| 9   | 381600504/4 | 1    | Dead Hand Switch         | Salvamotore               | Int. Main Morte                | Tot Manschalter          | CH      |
| 10  | 12728701/0  | 4    | Screw                    | Vite                      | Vis                            | Schraube                 |         |
| 11  | 22192000/1  | 1    | Anchor Clamp             | Fascetta                  | Collier Ancrage                | Bowdenzughalter          |         |
| 12  | 322322880/1 | 1    | Lever, Engine Brake      | Leva Freno Motore, Nero   | Levier Frein Moteur            | Hebel, Motorbremse       | Yellow  |
| 12  | 322322883/1 | 1    | Lever, Engine Brake. Red | Leva Freno Motore, Rosso  | Levier Frein Moteur. Rouge     | Hebel, Motorbremse. Rote | Red     |
| 12  | 322322882/1 | 1    | Lever, Engine Brake      | Leva Freno Motore, Giallo | Levier Frein Moteur            | Hebel, Motorbremse       | Black   |
| 13  | 322195101/4 | 1    | Fairlead                 | Fermacavo                 | Fixation Cable                 | Kabelbefestigung         |         |
| 14  | 22010250/0  | 1    | Rod, Fairlead Bearing    | Asta Aggancio Fermacavo   | Tige Support Serrecable        | Stange, Kabelhalter      |         |
| 15  | 322230350/2 | 1    | Fulcrum Pin              | Fulcro                    | Point D'Appui                  | Gelenkpunkt              |         |
| 16  | 322785144/1 | 1    | Support                  | Supporto                  | Support                        | Halter                   |         |
| 17  | 22450115/0  | 1    | Spring                   | Molla                     | Ressort                        | Feder                    |         |
| 18  | 81008669/0  | 1    | Outfit, Screws           | Dotazione Viteria         | Dotation Visserie              | Satz, Schrauben          |         |

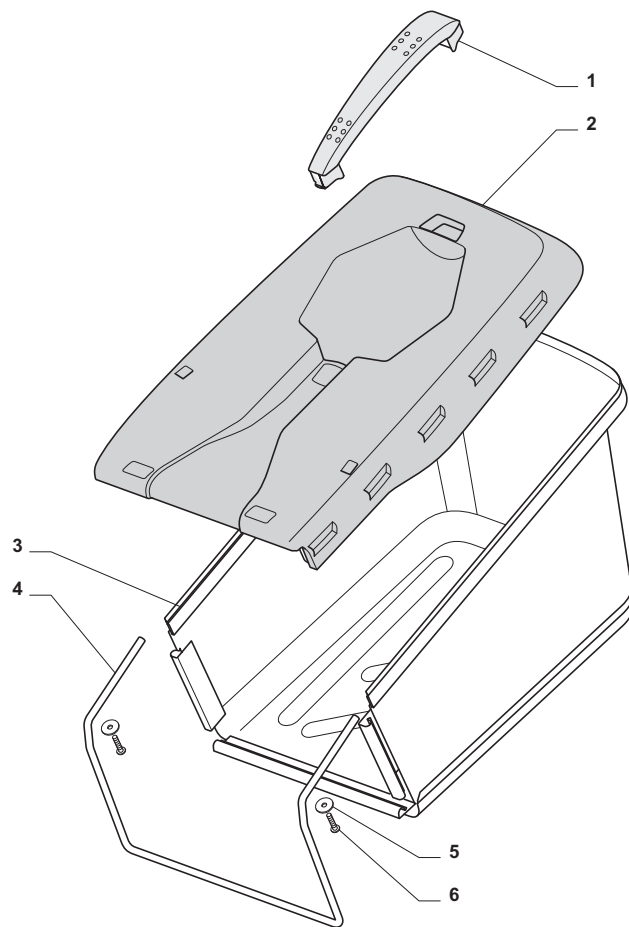


| POS | PART. NO    | Q.ty | DESCRIPTION              | DESCRIZIONE               | DESCRIPTION                  | BESCHREIBUNG             | REMARKS |
|-----|-------------|------|--------------------------|---------------------------|------------------------------|--------------------------|---------|
| 1   | 381600503/4 | 1    | Dead Hand Switch         | Salvamotore               | Int. Main Morte              | Tot Manschalter          | CE      |
| 1   | 381600505/4 | 1    | Dead Hand Switch         | Salvamotore               | Int. Main Morte              | Tot Manschalter          | UK      |
| 1   | 381600504/4 | 1    | Dead Hand Switch         | Salvamotore               | Int. Main Morte              | Tot Manschalter          | CH      |
| 2   | 322245063/0 | 2    | Ring Nut, Internal       | Ghiera Interna            | Embout                       | Nutmutter                |         |
| 3   | 381006679/0 | 1    | Handle, Middle Part      | Manico, Parte Intermedia  | Mancheron                    | Holm                     |         |
| 4   | 322680014/0 | 2    | Washer                   | Rosetta                   | Rondelle                     | Scheibe                  |         |
| 5   | 381003252/0 | 2    | Lever, Handle Blocking   | Leva Blocc. Manico        | Levier                       | Hebel                    |         |
| 6   | 22010250/0  | 1    | Rod, Fairlead Bearing    | Asta Aggancio Fermacavo   | Tige Support Serrecable      | Stange, Kabelhalter      |         |
| 7   | 322195101/4 | 1    | Fairlead                 | Fermacavo                 | Fixation Cable               | Kabelbefestigung         |         |
| 8   | 81006941/4  | 1    | Handle, Upper Part       | Manico, Parte Sup         | Mancheron, Partie Sup.       | Holm, Oberteil           |         |
| 9   | 22820066/1  | 2    | Cap                      | Puntale                   | Bouchon                      | Gummistopfen             |         |
| 10  | 322245062/0 | 2    | Ring Nut, External       | Ghiera Esterna            | Embout                       | Nutmutter                |         |
| 11  | 322820081/0 | 2    | Cap                      | Puntale                   | Bouchon                      | Gummistopfen             |         |
| 13  | 12293200/0  | 2    | Nut                      | Dado                      | Ecrou                        | Mutter                   |         |
| 14  | 381006675/1 | 1    | Handle, Lower Part       | Manico, Parte Inf.        | Mancheron, Partie Inferieure | Holm, Unterteil          |         |
| 15  | 12731600/1  | 2    | Screw                    | Vite                      | Vis                          | Schraube                 |         |
| 16  | 22545135/0  | 2    | Plate                    | Piastrina                 | Plaquette                    | Plättchen                |         |
| 17  | 322322880/1 | 1    | Lever, Engine Brake      | Leva Freno Motore, Nero   | Levier Frein Moteur          | Hebel, Motorbremse       | Black   |
| 17  | 322322882/1 | 1    | Lever, Engine Brake. Red | Leva Freno Motore, Rosso  | Levier Frein Moteur. Rouge   | Hebel, Motorbremse. Rote | Red     |
| 17  | 322322883/1 | 1    | Lever, Engine Brake      | Leva Freno Motore, Giallo | Levier Frein Moteur          | Hebel, Motorbremse       | Yellow  |
| 18  | 12728701/0  | 4    | Screw                    | Vite                      | Vis                          | Schraube                 |         |
| 19  | 22450115/0  | 1    | Spring                   | Molla                     | Ressort                      | Feder                    |         |
| 20  | 322230350/1 | 1    | Fulcrum Pin              | Fulcro                    | Point D'Appui                | Gelenkpunkt              |         |
| 21  | 322785144/1 | 1    | Support                  | Supporto                  | Support                      | Halter                   |         |
| 22  | 322321530/0 | 2    | Coiler Cable, Lever      | Leva Avvolgicavo          | Levier Support Serrecable    | Hebel, Kabelhalter       |         |
| 23  | 322321531/0 | 2    | Coiler Cable, Base       | Base Avvolgicavo          | Base De Support Serrecable   | Unterseite, Kabelhalter  |         |
| 24  | 12728691/0  | 2    | Screw                    | Vite                      | Vis                          | Schraube                 |         |

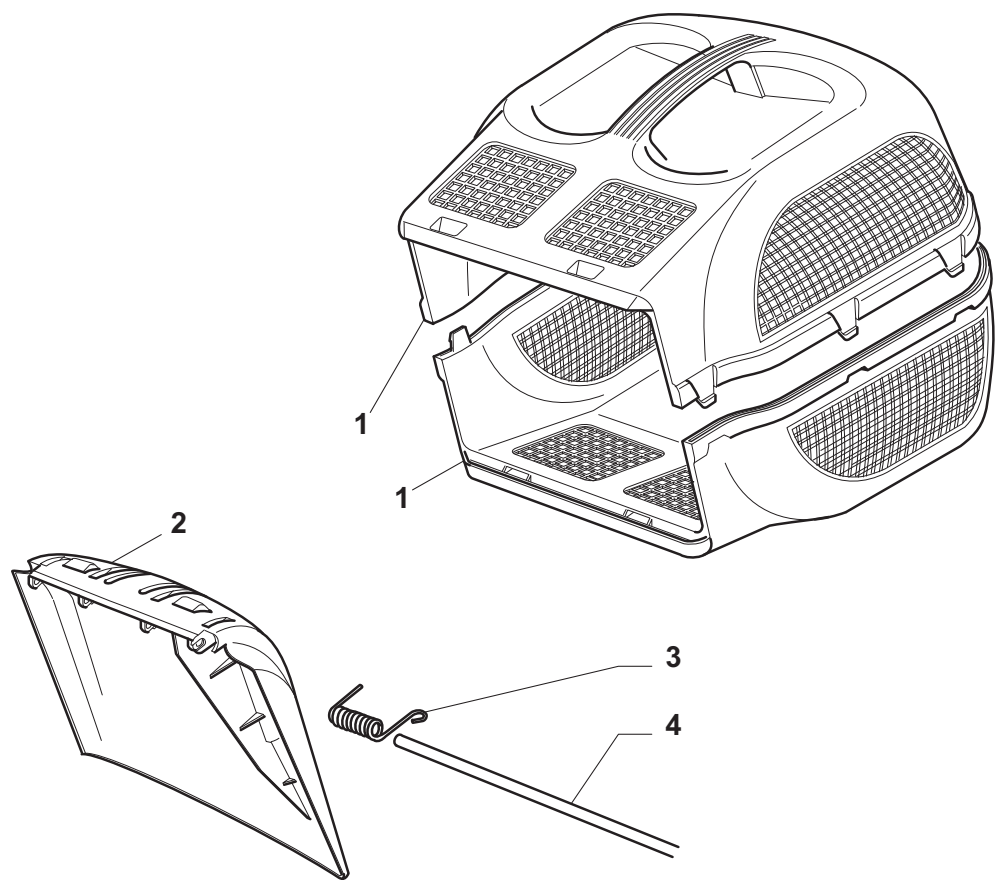




| POS | PART. NO    | Q.ty | DESCRIPTION    | DESCRIZIONE        | DESCRIPTION         | BESCHREIBUNG   | REMARKS |
|-----|-------------|------|----------------|--------------------|---------------------|----------------|---------|
| 1   | 12604896/0  | 4    | Crown Fastener | Fissatore A Corona | Fixateur A Couronne | Kronescheibe   |         |
| 2   | 122519812/0 | 2    | Pin            | Perno              | Pivot               | Bolzen         |         |
| 3   | 381000809/0 | 2    | Support        | Supporto           | Support             | Halter         |         |
| 4   | 322545175/0 | 1    | Plate          | Piastrina          | Plaquette           | Plättchen      |         |
| 5   | 12728701/0  | 2    | Screw          | Vite               | Vis                 | Schraube       |         |
| 6   | 122519809/0 | 1    | Pin, Roller    | Perno Roller       | Pivot, Roller       | Bolzen, Roller |         |
| 7   | 322670012/0 | 2    | Roller         | Roller             | Roller              | Roller         |         |



| POS | PART. NO    | Q.ty | DESCRIPTION               | DESCRIZIONE             | DESCRIPTION                  | BESCHREIBUNG        | REMARKS |
|-----|-------------|------|---------------------------|-------------------------|------------------------------|---------------------|---------|
| 1   | 322393621/0 | 1    | Handle                    | Maniglia                | Poignee                      | Griff               | Red     |
| 1   | 322393622/0 | 1    | Handle                    | Maniglia                | Poignee                      | Griff               | Yellow  |
| 2   | 322486208/0 | 1    | Grassbox Upper Part, Grey | Parte Sup.Sacco, Grigio | Sac, Partie Superieure, Gris | Korb Oberteil, Grau |         |
| 3   | 181002273/0 | 1    | Box, Fabric               | Sacco, Tela Grigio      | Sac, Toile                   | Sack, Tuck          |         |
| 4   | 122608540/0 | 1    | Stiffening Lower          | Rinforzo Inf            | Réinforcement Inf            | Verstärkung         |         |
| 5   | 112523030/0 | 2    | Washer                    | Rosetta                 | Rondelle                     | Scheibe             |         |
| 6   | 112728705/0 | 2    | Screw                     | Vite                    | Vis                          | Schraube            |         |



| POS | PART. NO    | Q.ty | DESCRIPTION                    | DESCRIZIONE          | DESCRIPTION                        | BESCHREIBUNG         | REMARKS |
|-----|-------------|------|--------------------------------|----------------------|------------------------------------|----------------------|---------|
| 1   | 22486049/0  | 2    | Grass-Box,<br>Upper/Lower Part | Sacco, Parte Inf/Sup | Sac, Partie<br>Inferieure/Superieu | Korb, Ober/Unterteil |         |
| 2   | 322600056/3 | 1    | Stone-Guard                    | Parasassi            | Pare-Pierres                       | Prallblech           |         |
| 3   | 22450250/0  | 1    | Spring                         | Molla                | Ressort                            | Feder                |         |
| 4   | 22512601/0  | 1    | Pin                            | Perno                | Pivot                              | Bolzen               |         |