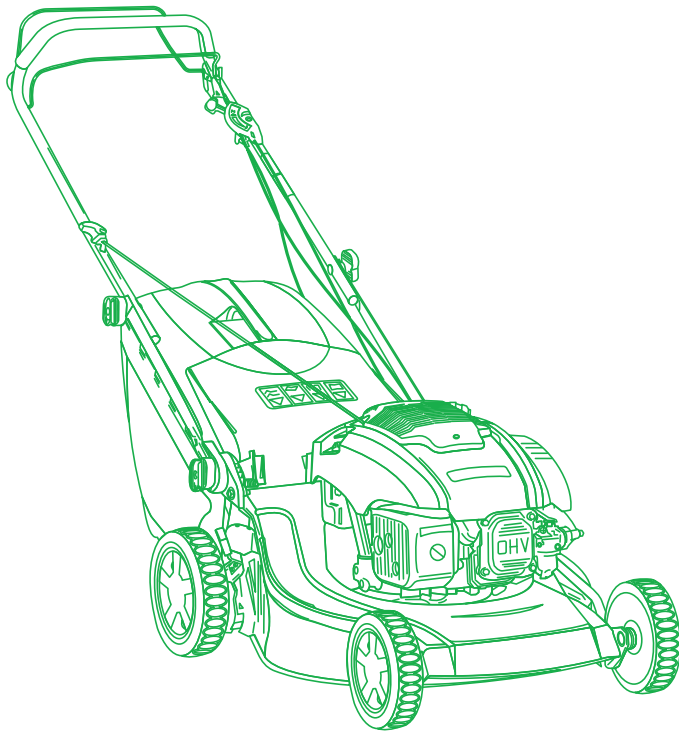


# ILLUSTRATED PARTS LIST

## CAL 534 WTR



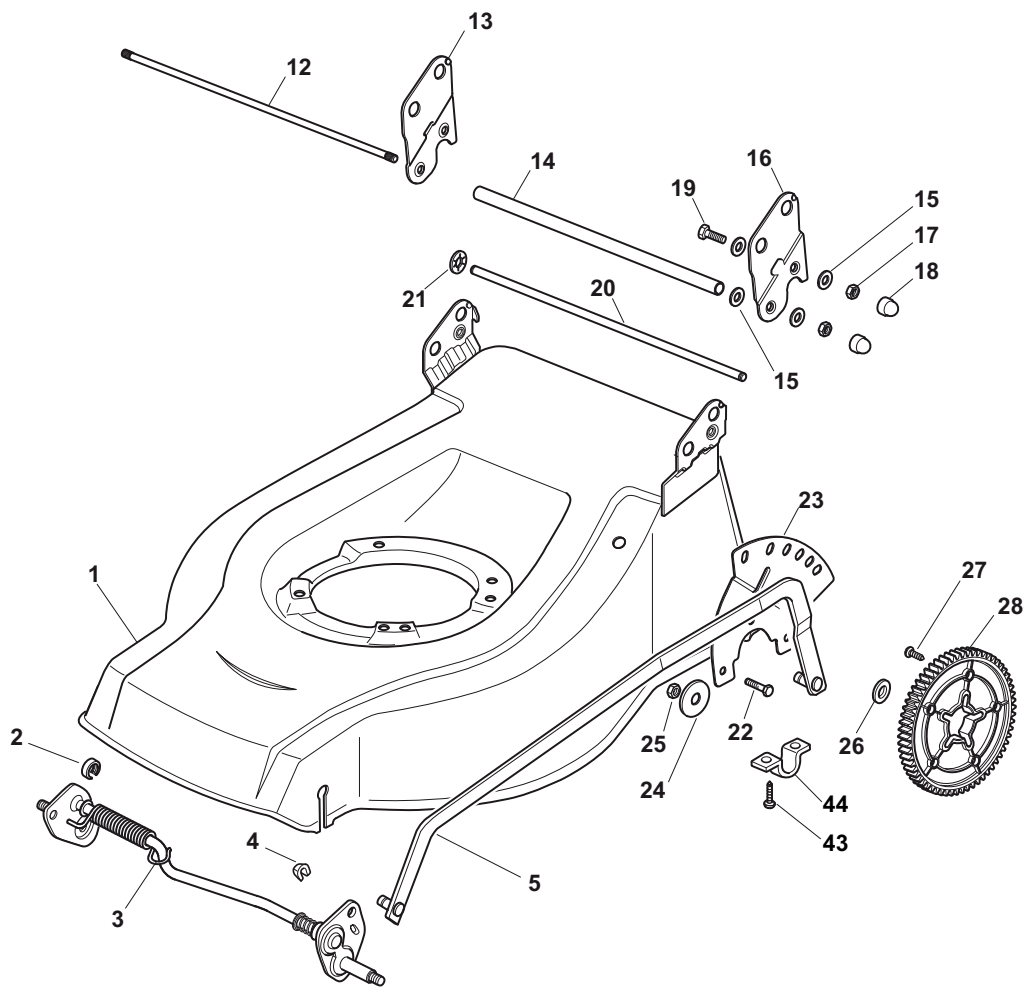
- Use GLOBAL GARDEN PRODUCT Genuine Spare Parts specified in the parts list for repair and/or replacement.
- The contents described in the parts list may change due to improvement.
- The drawings of the spare parts are only indicative and might not represent the part in question exactly.
- The indications "right" - "left" - "front" - "rear" refer to the position of the operator when using the machine.
- When placing orders of parts for repair and/or replacement, make sure that the illustrated parts list is the one applying to the machine's year of manufacture, as shown on the identification plate attached to the machine.

© Copyright 2012 Global Garden Products

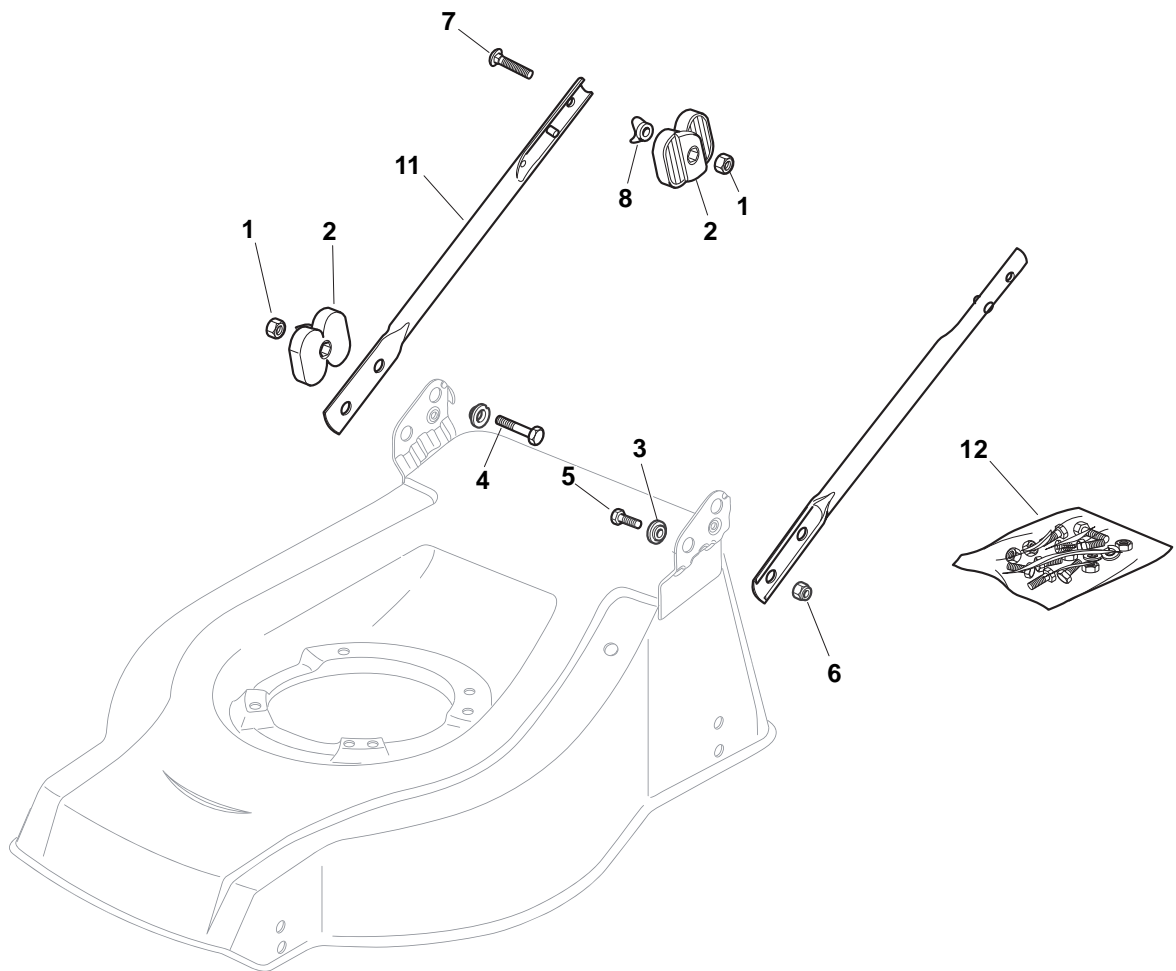
All content is subject to copyright by Global Garden Products and may not be reproduced in whole or in part by any means, electronic or otherwise, without prior written approval.

THIS INFORMATION IS NOT INTENDED FOR SALE OR RESALE, AND THIS NOTICE MUST REMAIN ON ALL COPIES.

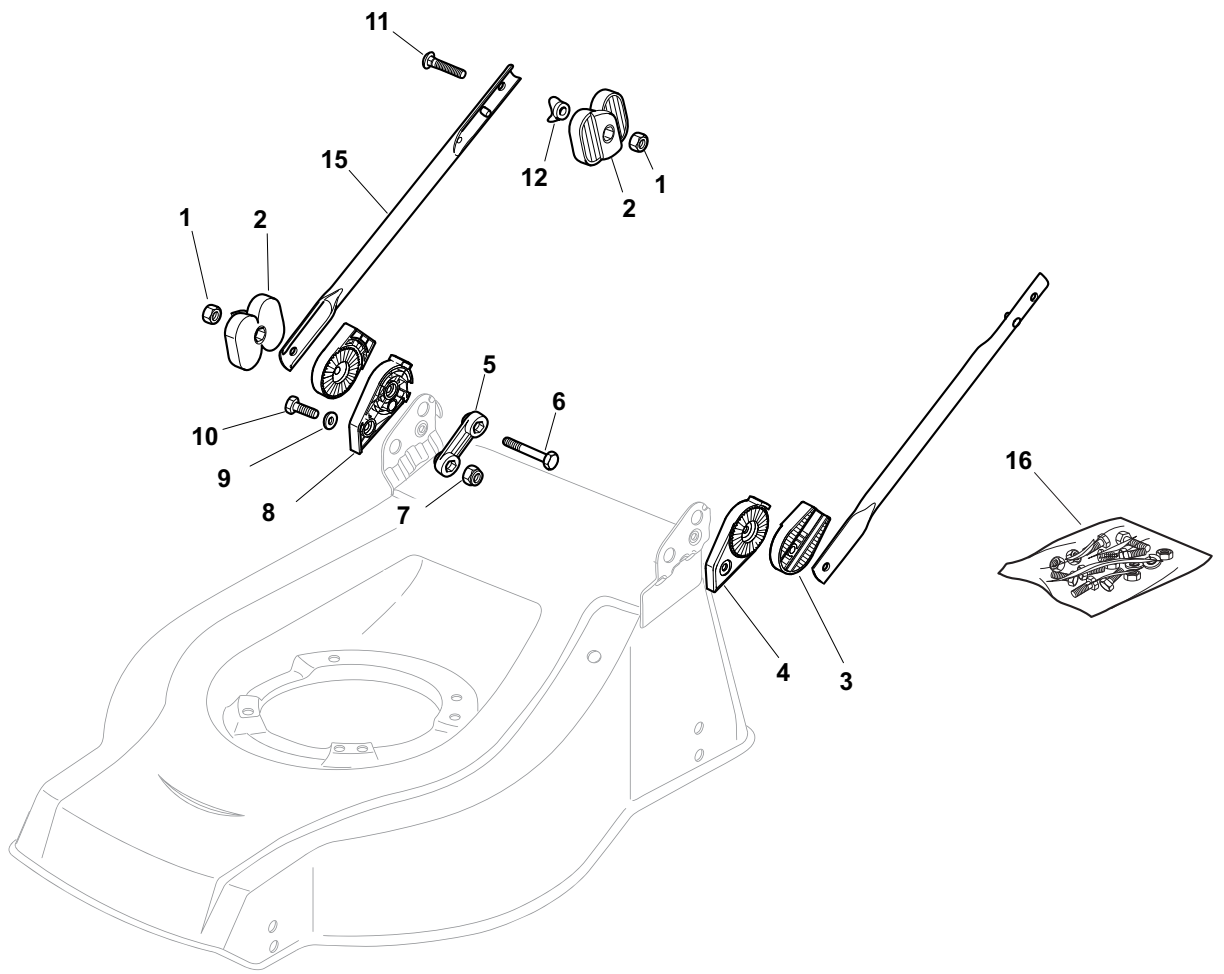
  
GLOBAL GARDEN PRODUCTS



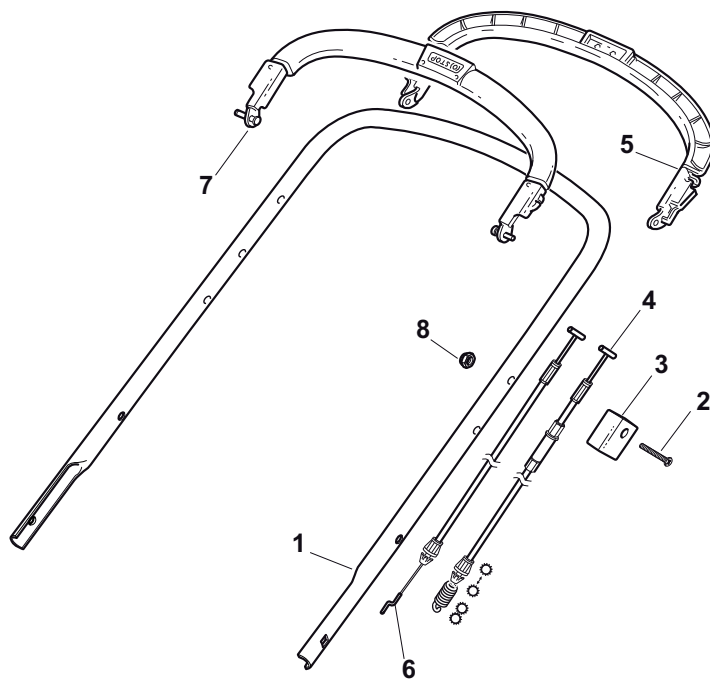
POS	PART. NO	Q.ty	DESCRIPTION	DESCRIZIONE	DESCRIPTION	BESCHREIBUNG	REMARKS
1	81002356/1	1	Deck Red	Chassis Rosso	Châssis Rouge	Gehäuse Rot	
1	381003618/1	1	Deck INOX	Chassis INOX	Châssis INOX	Gehäuse INOX	
2	22171002/0	2	Spacer	Distanziale	Entretoise	Distanzring	
3	381002859/0	1	Axle, Front Wheels	Asse Ruote Anteriori	Axe Roues Avant	Achse, Vorderrad	
4	12436050/0	2	Plate	Piastrina	Plaquette	Plättchen	
5	381002017/0	1	Rod, Height Adjustment	Asta Comando Regol. Altezza	Tige Commande Reglage Hauteur	Stange, Höhenverstellung	
12	22517702/1	1	Stone Guard Fulcrum	Fulcro Parasassi	Point D'Appui Parepierres	Drehpunkt Prallblech	
13	22778427/0	1	Bracket, R	Staffa Dx	Bride D	Pratze, Rechte	
14	22869717/0	1	Spacer	Distanziale	Entretoise	Distanzring	
15	22671653/0	8	Washer	Rosetta	Rondelle	Scheibe	
16	22778429/0	1	Bracket, L	Staffa Sx	Bride G	Pratze, Linke	
17	12155000/0	4	Nut	Dado	Ecrou	Mutter	
18	18203854/0	4	Protection	Cappuccio	Capuchon	Stecker	
19	12793301/0	2	Screw	Vite	Vis	Schraube	
20	22517860/0	1	Pin	Perno	Pivot	Bolzen	
21	12604899/0	2	Crown Fastener	Fissatore A Corona	Fixateur A Couronne	Kronescheibe	
22	12792611/0	3	Screw	Vite	Vis	Schraube	
23	322735579/1	1	Sector, Height Adjustment	Settore Regolazione Altezza	Secteur Reglage Hauteur	Sektor, Höhenverstellung	
24	12523060/0	3	Washer	Rosetta	Rondelle	Scheibe	
25	12155000/0	3	Nut	Dado	Ecrou	Mutter	
26	22675100/0	2	Washer	Rosetta	Rondelle	Scheibe	
27	12728691/0	6	Screw	Vite	Vis	Schraube	
28	22120110/0	2	Sprocket	Ruota Dentata	Couronne	Zahnkettenrad	
43	12731350/0	4	Screw	Vite	Vis	Schraube	
44	22545152/0	2	Plate	Piastrina	Plaquette	Platte	



POS	PART. NO	Q.ty	DESCRIPTION	DESCRIZIONE	DESCRIPTION	BESCHREIBUNG	REMARKS
1	12293202/0	4	Nut	Dado	Ecrou	Mutter	
2	22399803/0	4	Knob	Manopolina	Poignée	Griff	
3	22041955/0	4	Bush	Bussola	Douille	Buchse	
4	12793700/0	2	Screw	Vite	Vis	Schraube	
5	12792610/0	2	Screw	Vite	Vis	Schraube	
6	12155000/0	2	Nut	Dado	Ecrou	Mutter	
7	12819125/0	2	Screw	Vite	Vis	Schraube	
8	22680006/1	2	Washer	Rosetta	Rondelle	Scheibe	
11	81006973/0	2	Handle, Lower Part	Manico, Parte Inf	Mancheron, Partie Inferieure	Holm, Unterteil	
12	81008633/0	1	Outfit, Screws	Dotazione Viteria	Dotation Visserie	Satz, Schrauben	

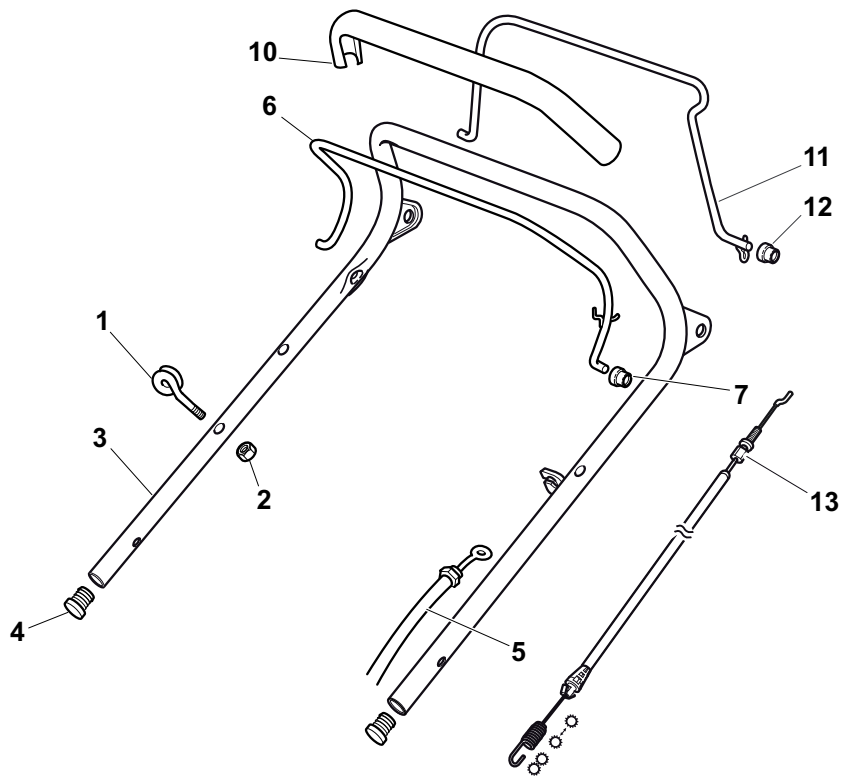


POS	PART. NO	Q.ty	DESCRIPTION	DESCRIZIONE	DESCRIPTION	BESCHREIBUNG	REMARKS
1	12293202/0	4	Nut	Dado	Ecrou	Mutter	
2	22399803/0	4	Knob	Manopolina	Poignée	Griff	
3	22785081/1	2	Support, External	Supporto Esterno	Support Externe	Halter, Außere	
4	22785083/1	1	Support, L Internal	Supporto Interno	Support Interne G	Halter, Innere L	
5	22551575/0	2	Plate, Inside	Piastrina Interna	Plaquette Interne	Platte, Innere	
6	12691810/0	2	Screw	Vite	Vis	Schraube	
7	12155000/0	2	Nut	Dado	Ecrou	Mutter	
8	22785082/0	1	Support, R Internal	Supporto Interno	Support Interne D	Halter, Innere R	
9	12521350/0	2	Washer	Rosetta	Rondelle	Scheibe	
10	12793701/0	2	Screw	Vite	Vis	Schraube	
11	12819125/0	2	Screw	Vite	Vis	Schraube	
12	22680006/1	2	Washer	Rosetta	Rondelle	Scheibe	
15	81006531/0	2	Handle, Lower Part	Manico, Parte Inf	Mancheron, Partie Inferieure	Holm, Unterteil	
16	81008633/0	1	Outfit, Screws	Dotazione Viteria	Dotation Visserie	Satz, Schrauben	

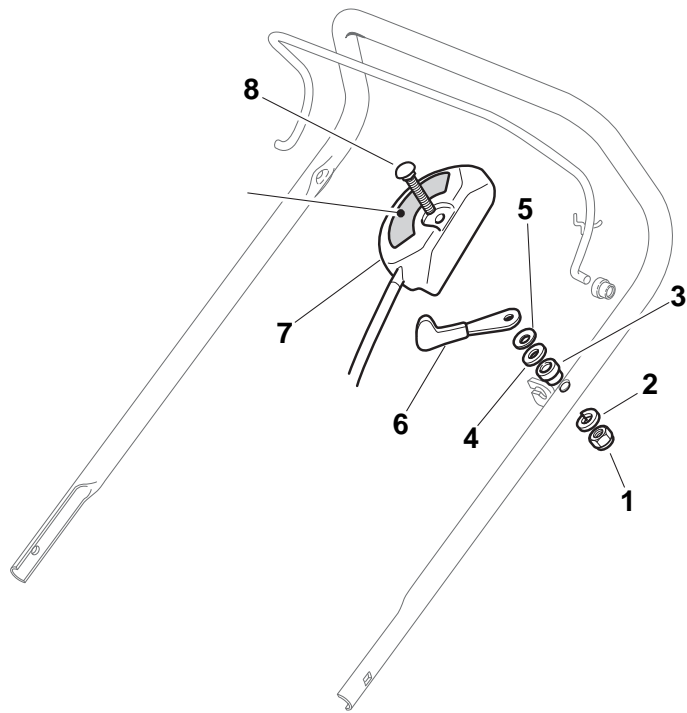




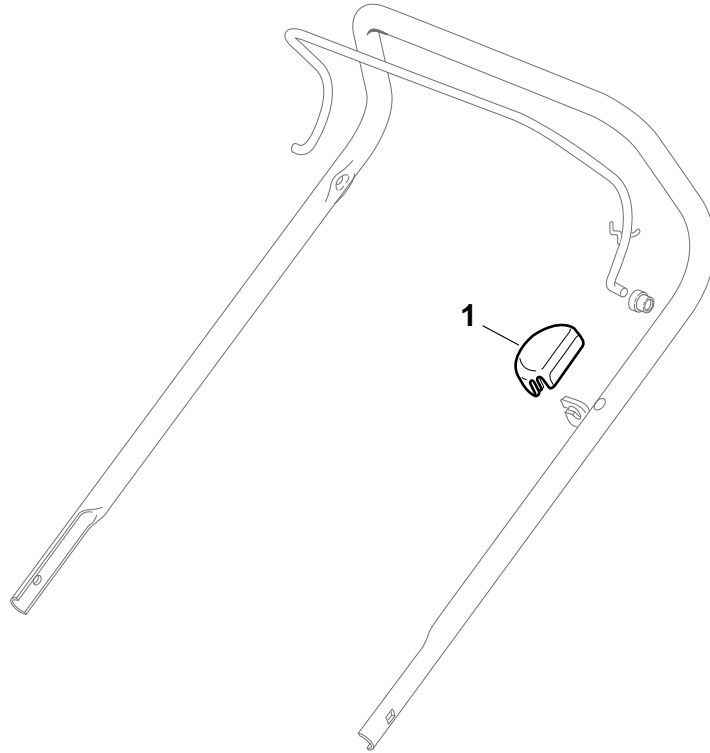
POS	PART. NO	Q.ty	DESCRIPTION	DESCRIZIONE	DESCRIPTION	BESCHREIBUNG	REMARKS
1	81006979/2	1	Handle, Upper Part	Manico, Parte Sup	Mancheron, Partie Sup.	Holm, Oberteil	
2	12689500/0	1	Screw	Vite	Vis	Schraube	
3	22551640/0	1	Plate	Piastrina	Plaquette	Plättchen	
4	381000709/2	1	Cable, Rear Drive	Cavo Comando Trazione	Câble, Comm. Traction	Kabel, Antrieb	
5	81003297/1	1	Driving Lever	Leva Trazione	Levier Traction	Antriebhebel	
6	81000642/0	1	Cable, Thread Engine Brake	Cavo Freno Motore	Cable Frein Moteur	Kabel, Motorbremse	B&S QUANTUM
6	81000754/0	1	Cable, Thread Engine Brake	Cavo Freno Motore	Cable Frein Moteur	Kabel, Motorbremse	B&S625-675 - Honda
6	81000743/0	1	Cable, Thread Engine Brake	Cavo Freno Motore	Cable Frein Moteur	Kabel, Motorbremse	GGP150cc
6	81000657/0	1	Cable, Thread Engine Brake	Cavo Freno Motore	Cable Frein Moteur	Kabel, Motorbremse	GGP
6	81000657/0	1	Cable, Thread Engine Brake	Cavo Freno Motore	Cable Frein Moteur	Kabel, Motorbremse	B&S 450-500
6	181030011/0	1	Cable, Thread Engine Brake	Cavo Freno Motore	Cable Frein Moteur	Kabel, Motorbremse	B&S700
7	381003330/0	1	Lever, Engine Brake	Leva Freno Motore	Levier Frein Moteur	Hebel, Motorbremse	
8	12154510/0	1	Nut	Dado	Ecrou	Mutter	



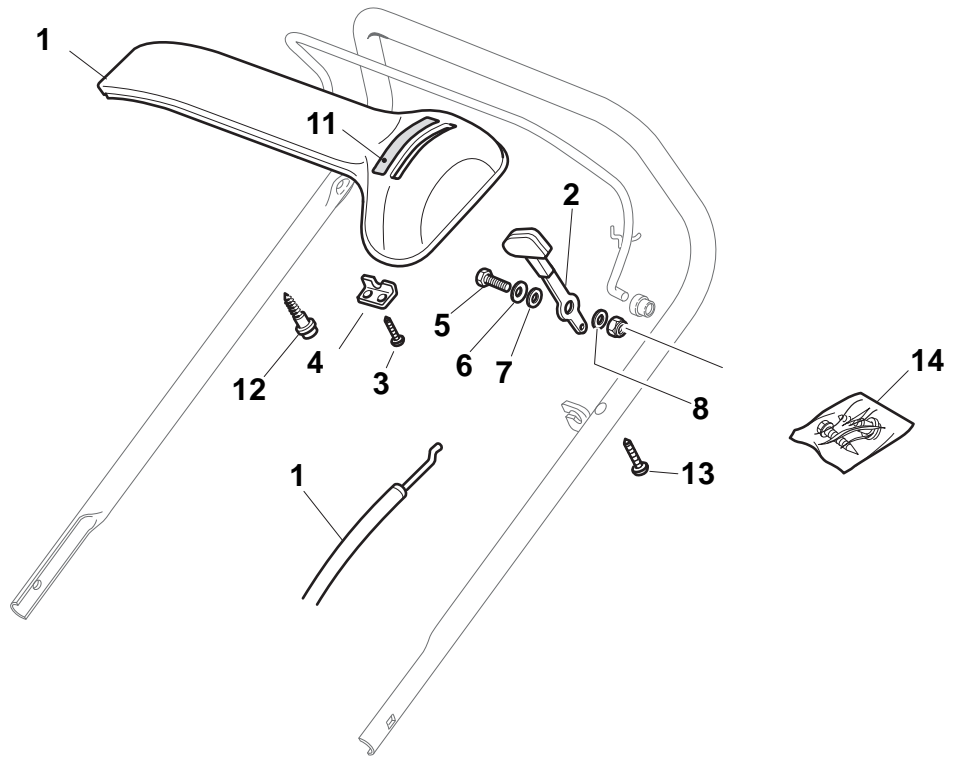
POS	PART. NO	Q.ty	DESCRIPTION	DESCRIZIONE	DESCRIPTION	BESCHREIBUNG	REMARKS
1	22430309/0	1	Guide Spring	Molla Guida	Ressort De Guide	Feder Führer	
2	12154330/0	1	Nut	Dado	Ecrou	Mutter	
3	81006981/0	1	Handle, Upper Part	Manico, Parte Sup	Mancheron, Partie Superieure	Holm, Oberteil	
4	18566112/0	2	Cap	Puntale	Bouchon	Gummistopfen	
5	81000643/0	1	Cable, Thread Engine Brake	Cavo Freno Motore	Cable Frein Moteur	Kabel, Motorbremse	B&S 450-500
5	81000642/1	1	Cable, Thread Engine Brake	Cavo Freno Motore	Cable Frein Moteur	Kabel, Motorbremse	B&S 675Es
5	81000640/1	1	Cable, Thread Engine Brake	Cavo Freno Motore	Cable Frein Moteur	Kabel, Motorbremse	Honda
5	81000611/0	1	Cable, Thread Engine Brake	Cavo Freno Motore	Cable Frein Moteur	Kabel, Motorbremse	GGP150cc
5	81000616/1	1	Cable, Thread Engine Brake	Cavo Freno Motore	Cable Frein Moteur	Kabel, Motorbremse	GGP200 - Honda 534W
5	81000622/2	1	Cable, Thread Engine Brake	Cavo Freno Motore	Cable Frein Moteur	Kabel, Motorbremse	GGP150cc 534W
5	81000756/0	1	Cable, Thread Engine Brake	Cavo Freno Motore	Cable Frein Moteur	Kabel, Motorbremse	GGP - B&S675-625
5	81000757/0	1	Cable, Thread Engine Brake	Cavo Freno Motore	Cable Frein Moteur	Kabel, Motorbremse	B&S 675Es 534W
5	181000761/0	1	Cable, Thread Engine Brake	Cavo Freno Motore	Cable Frein Moteur	Kabel, Motorbremse	B&S 534W
5	181030009/0	1	Cable, Thread Engine Brake	Cavo Freno Motore	Cable Frein Moteur	Kabel, Motorbremse	B&S 700
6	81003291/3	1	Lever, Engine Brake	Leva Freno Motore	Levier Frein Moteur	Hebel, Motorbremse	
7	22041966/0	2	Bush	Bussola	Douille	Buchse	
10	22291050/0	1	Handgrip Black	Impugnatura Manico Nera	Poignée Noire	Handgriff Schwarz	
11	22041965/1	2	Bush	Bussola	Douille	Buchse	
12	81003288/1	1	Lever, Driving	Leva Trazione	Levier Traction	Hebel, Antrieb	
13	81000672/0	1	Cable, Rear Drive	Cavo Comando Trazione	Câble, Commande Traction	Kabel, Antrieb	(Bi. Ci. Di.)
13	81000668/1	1	Cable, Rear Drive	Cavo Comando Trazione	Câble, Commande Traction	Kabel, Antrieb	(GT)



POS	PART. NO	Q.ty	DESCRIPTION	DESCRIZIONE	DESCRIPTION	BESCHREIBUNG	REMARKS
1	12291000/0	1	Nut	Dado	Ecrou	Mutter	
2	12581500/0	1	Grower	Grower	Grower	Federring	
3	22171005/0	1	Spacer	Distanziale	Entretoise	Distanzring	
4	12521360/0	1	Washer	Rosetta	Rondelle	Scheibe	
5	12508100/0	1	Spring Washer	Rosetta Elastica	Rondelle Elastique	Elastische Scheibe	
6	81007279/1	1	Lever, Throttle	Leva, Acceleratore	Levier, Accelérateur	Hebel, Beschleuniger	B&S-GGP-Honda
6	81007220/0	1	Lever, Throttle	Leva, Acceleratore	Levier, Accelérateur	Hebel, Beschleuniger	B&S450-500/GGP150cc
7	81007080/0	1	Throttle Cable	Cavo Acceleratore	Cable, Accelérateur	Gashebel Kabel	
8	12815000/0	1	Screw	Vite	Vis	Schraube	
9	14356703/0	1	Label	Etichetta	Etiquette	Etikette	B&S
9	114356905/0	1	Label	Etichetta	Etiquette	Etikette	B&S DOV
9	14356702/0	1	Label	Etichetta	Etiquette	Etikette	GGP
9	114364264/0	1	Label	Etichetta	Etiquette	Etikette	GGP AVS
9	14356702/0	1	Label	Etichetta	Etiquette	Etikette	Honda
9	114356905/0	1	Label	Etichetta	Etiquette	Etikette	Honda AC

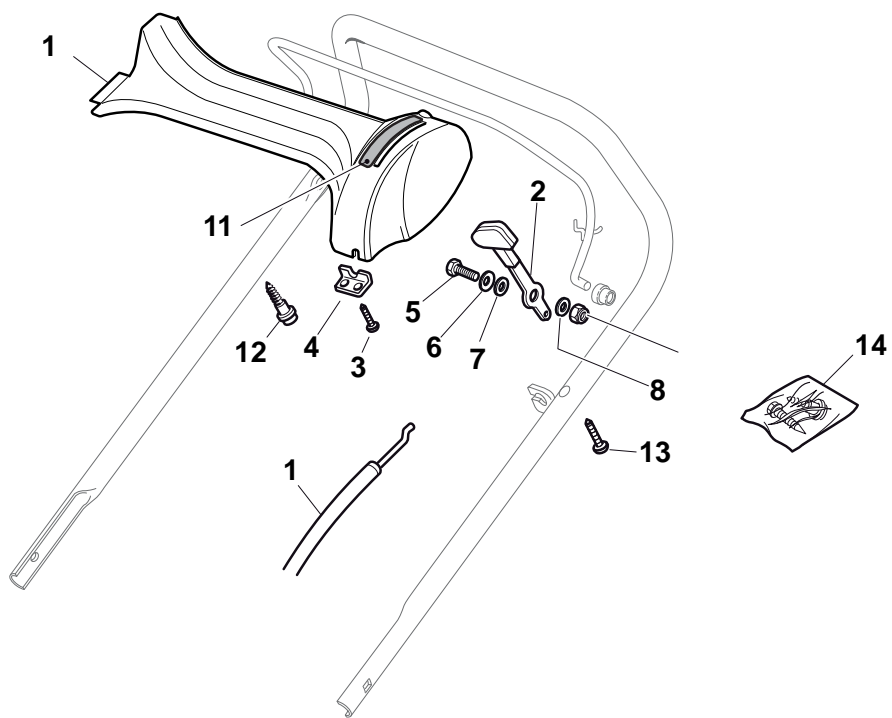


POS	PART. NO	Q.ty	DESCRIPTION	DESCRIZIONE	DESCRIPTION	BESCHREIBUNG	REMARKS
1	22601000/0	1	Protection	Protezione	Protection	Schutz	

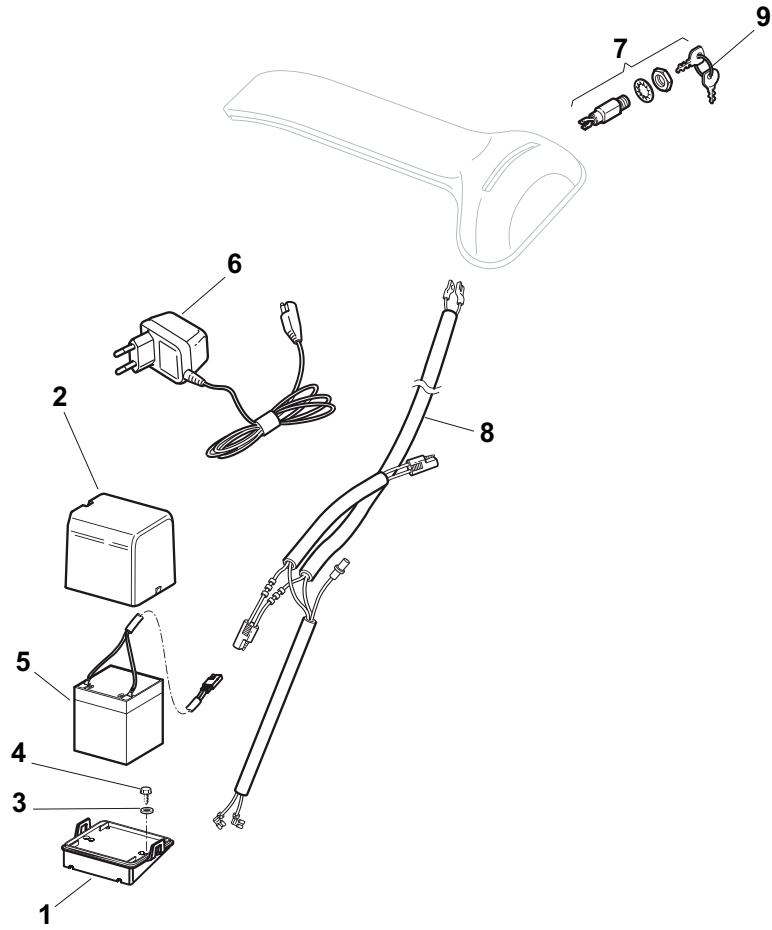




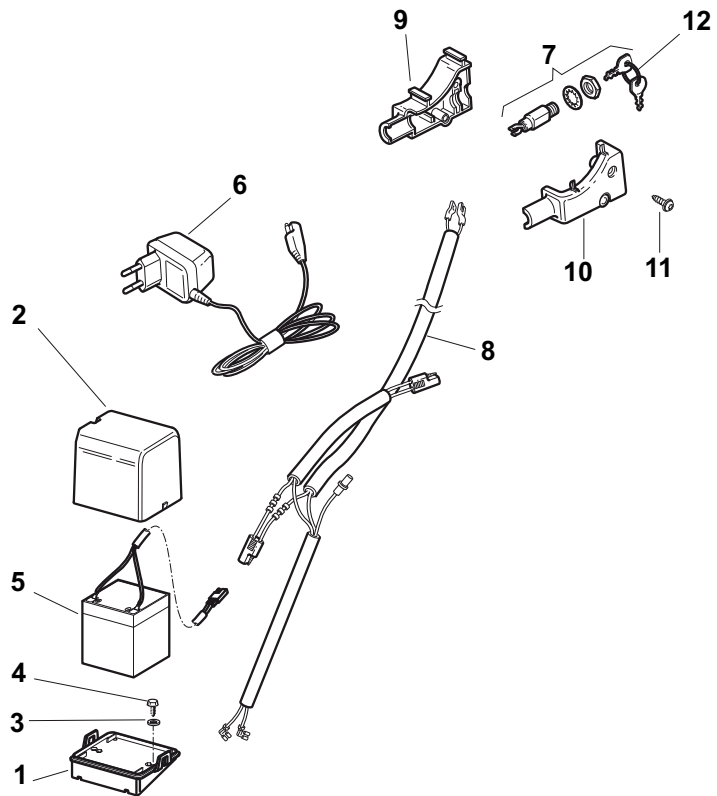
POS	PART. NO	Q.ty	DESCRIPTION	DESCRIZIONE	DESCRIPTION	BESCHREIBUNG	REMARKS
1	81007160/0	1	Throttle Cable	Cavo Acceleratore	Cable, Accelérateur	Gashebel Kabel	
2	81007280/2	1	Lever, Throttle	Leva, Acceleratore	Levier	Hebel, Beshleuniger	B&S-GGP-Honda
2	81007221/0	1	Lever, Throttle	Leva, Acceleratore	Levier	Hebel, Beshleuniger	B&S450-500/GGP150cc
3	12735105/0	2	Screw	Vite	Vis	Schraube	
4	22981467/0	1	Plate	Piastrina	Plaquette	Platte	
5	12791500/0	1	Screw	Vite	Vis	Schraube	
6	12530060/0	1	Elastic Washer	Rosetta Elastica	Rondelle Elastique	Elastische Scheibe	
7	12523040/0	1	Washer	Rosetta	Rondelle	Scheibe	
8	12523040/0	1	Washer	Rosetta	Rondelle	Scheibe	
9	12154510/0	1	Nut	Dado	Ecrou	Mutter	
10	22120152/0	1	Dash Board Yellow	Cruscotto Giallo	Console Jaune	Konsole Gelbe	
10	22120154/0	1	Dash Board Red	Cruscotto Rosso	Console Rouge	Konsole Rote	
10	22120158/0	1	Dash Board Black	Cruscotto Nero	Console Noire	Konsole Schwarze	
11	114356744/1	1	Label	Etichetta	Etiquette	Etikette	B&S
11	114356906/1	1	Label	Etichetta	Etiquette	Etikette	B&S 700
11	114356743/1	1	Label	Etichetta	Etiquette	Etikette	GGP
11	114356743/1	1	Label	Etichetta	Etiquette	Etikette	Honda
11	114357646/1	1	Label	Etichetta	Etiquette	Etikette	Honda AC
12	22943006/0	1	Screw	Vite	Vis	Schraube	
13	12728460/0	1	Screw	Vite	Vis	Schraube	
14	81008609/0	1	Outfit, Dash-Board Screws	Dotazione Viteria Cruscotto	Dotation Visserie Consolle	Satz, Konsole Schrauben	



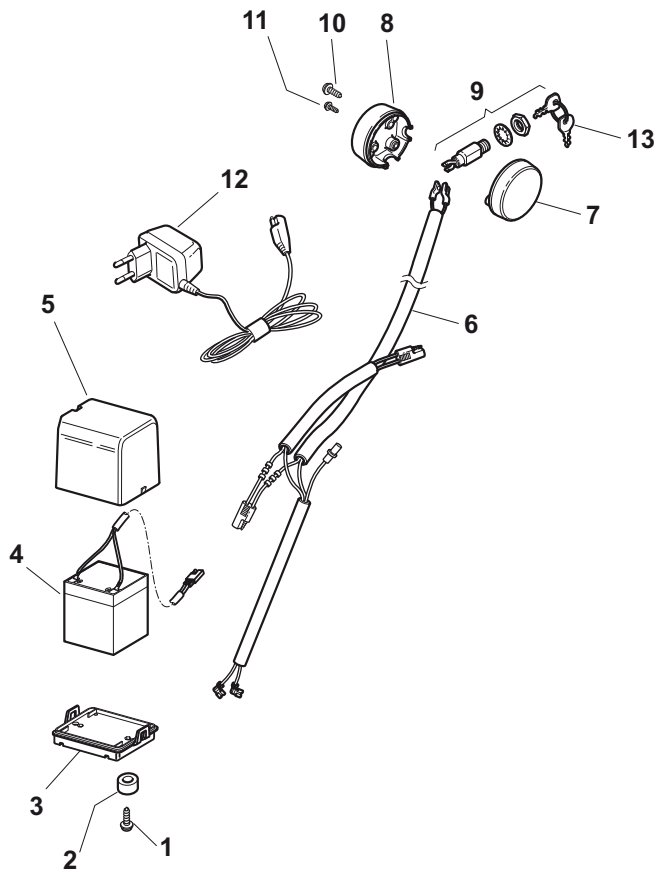
POS	PART. NO	Q.ty	DESCRIPTION	DESCRIZIONE	DESCRIPTION	BESCHREIBUNG	REMARKS
1	81007160/0	1	Throttle Cable	Cavo Acceleratore	Cable, Accelérateur	Gashebel Kabel	
2	81007280/2	1	Lever, Throttle	Leva, Acceleratore	Levier	Hebel, Beshleuniger	B&S-GGP-Honda
2	81007221/0	1	Lever, Throttle	Leva, Acceleratore	Levier	Hebel, Beshleuniger	B&S450-500/GGP150cc
3	12735105/0	2	Screw	Vite	Vis	Schraube	
4	22981467/0	1	Plate	Piastrina	Plaquette	Platte	
5	12791500/0	1	Screw	Vite	Vis	Schraube	
6	12530060/0	1	Elastic Washer	Rosetta Elastica	Rondelle Elastique	Elastische Scheibe	
7	12523040/0	1	Washer	Rosetta	Rondelle	Scheibe	
8	12523040/0	1	Washer	Rosetta	Rondelle	Scheibe	
9	12154510/0	1	Nut	Dado	Ecrou	Mutter	
10	22120172/0	1	Dash Board Black	Cruscotto Nero	Console Noire	Konsole Schwarze	
10	22120173/0	1	Dash Board Red	Cruscotto Rosso	Console Rouge	Konsole Rote	
10	22120174/0	1	Dash Board Yellow	Cruscotto Giallo	Console Jaune	Konsole Gelbe	
11	114356744/1	1	Label	Etichetta	Etiquette	Etikette	B&S
11	114356906/1	1	Label	Etichetta	Etiquette	Etikette	B&S 700
11	114356743/1	1	Label	Etichetta	Etiquette	Etikette	GGP
11	114356743/1	1	Label	Etichetta	Etiquette	Etikette	Honda
11	114357646/1	1	Label	Etichetta	Etiquette	Etikette	Honda AC
12	22943006/0	1	Screw	Vite	Vis	Schraube	
13	12728460/0	1	Screw	Vite	Vis	Schraube	
14	81008609/0	1	Outfit, Dash-Board Screws	Dotazione Viteria Cruscotto	Dotation Visserie Consolle	Satz, Konsole Schrauben	



POS	PART. NO	Q.ty	DESCRIPTION	DESCRIZIONE	DESCRIPTION	BESCHREIBUNG	REMARKS
1	22785123/0	1	Support, Battery	Supporto Batteria	Support Batterie	Halter, Batterie	
2	22109530/0	1	Cover	Coperchio	Couvercle	Deckel	
3	12521310/0	2	Washer	Rosetta	Rondelle	Scheibe	
4	12731590/0	2	Screw	Vite	Vis	Schraube	
5	18120052/0	1	Battery	Batteria	Batterie	Batterie	
6	18204120/0	1	Battery Charger	Carica Batteria	Chargeur De	Ladgerät	CE
6	18204121/0	1	Battery Charger	Carica Batteria	Chargeur De	Ladgerät	UK
7	18450050/0	1	Switch	Interruttore	Interrupteur	Schalter	
8	118204192/3	1	Cable, Start	Cavo Avviamento	Cable Démarrage	Kabel, Start	B&S-GGP
8	18204198/0	1	Cable, Start	Cavo Avviamento	Cable Démarrage	Kabel, Start	Honda
9	18210016/1	1	Starting Key	Chiave Avviamento	Clef A Demarrage	Schlüssel Für Start	

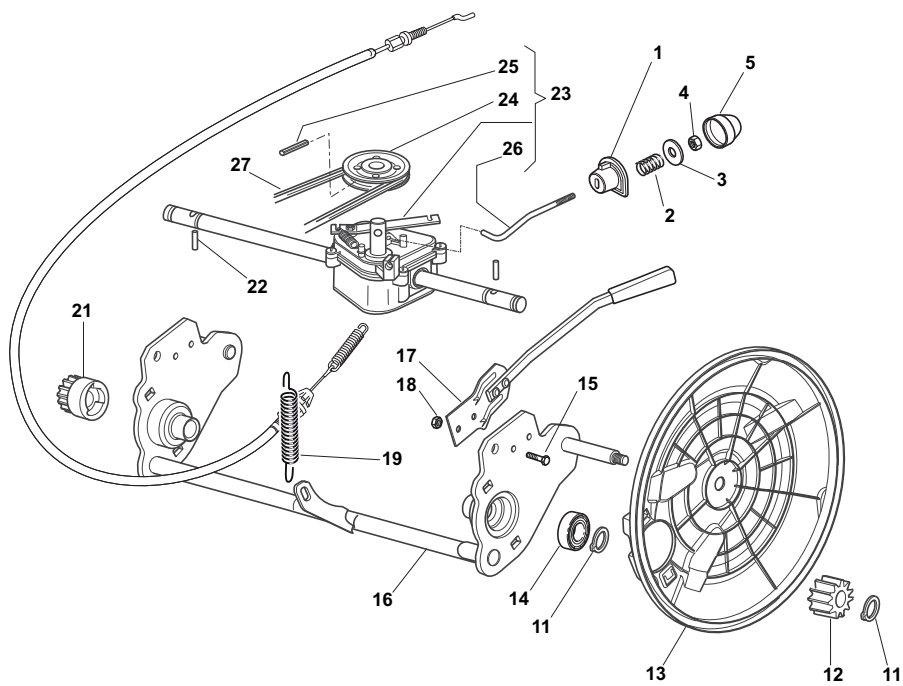


POS	PART. NO	Q.ty	DESCRIPTION	DESCRIZIONE	DESCRIPTION	BESCHREIBUNG	REMARKS
1	22785123/0	1	Support, Battery	Supporto Batteria	Support Batterie	Halter, Batterie	
2	22109530/0	1	Cover	Coperchio	Couvercle	Deckel	
3	12521310/0	2	Washer	Rosetta	Rondelle	Scheibe	
4	12731590/0	2	Screw	Vite	Vis	Schraube	
5	18120052/0	1	Battery	Batteria	Batterie	Batterie	
6	18204120/0	1	Battery Charger	Carica Batteria	Chargeur De	Ladgerät	CE
6	18204121/0	1	Battery Charger	Carica Batteria	Chargeur De	Ladgerät	UK
7	18450050/0	1	Switch	Interruttore	Interrupteur	Schalter	
8	118204192/3	1	Cable, Start	Cavo Avviamento	Cable Démarrage	Kabel, Start	B&S-GGP
8	18204198/0	1	Cable, Start	Cavo Avviamento	Cable Démarrage	Kabel, Start	Honda
9	22722804/0	1	R Protection	Protezione Dx	Protection D	Rechte Schutz	
10	22722805/0	1	L Protection	Protezione Sx	Protection G	Linke Schutz	
11	12728300/0	1	Screw	Vite	Vis	Schraube	
12	18210016/1	1	Starting Key	Chiave Avviamento	Clef A Demarrage	Schlüssel Für Start	

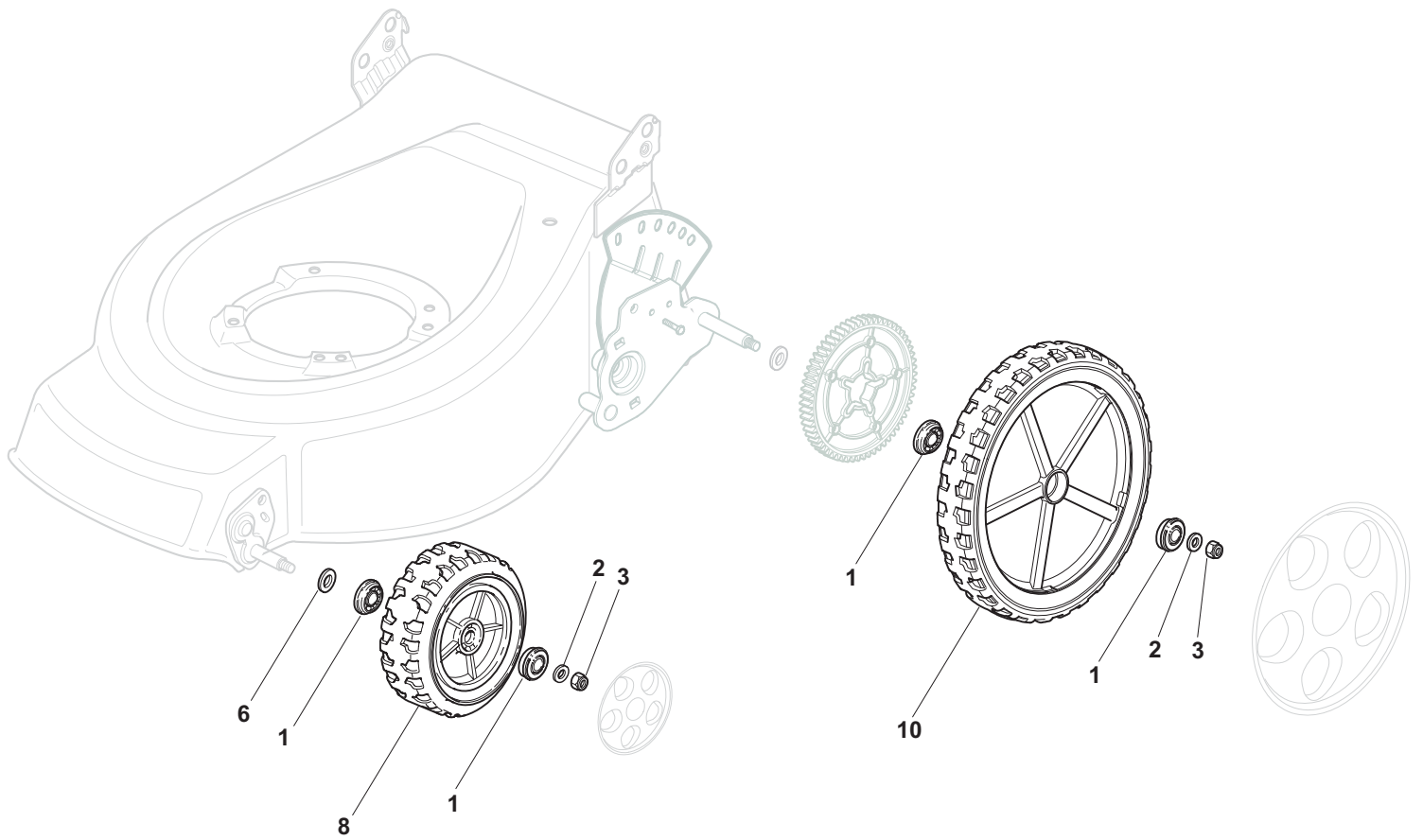




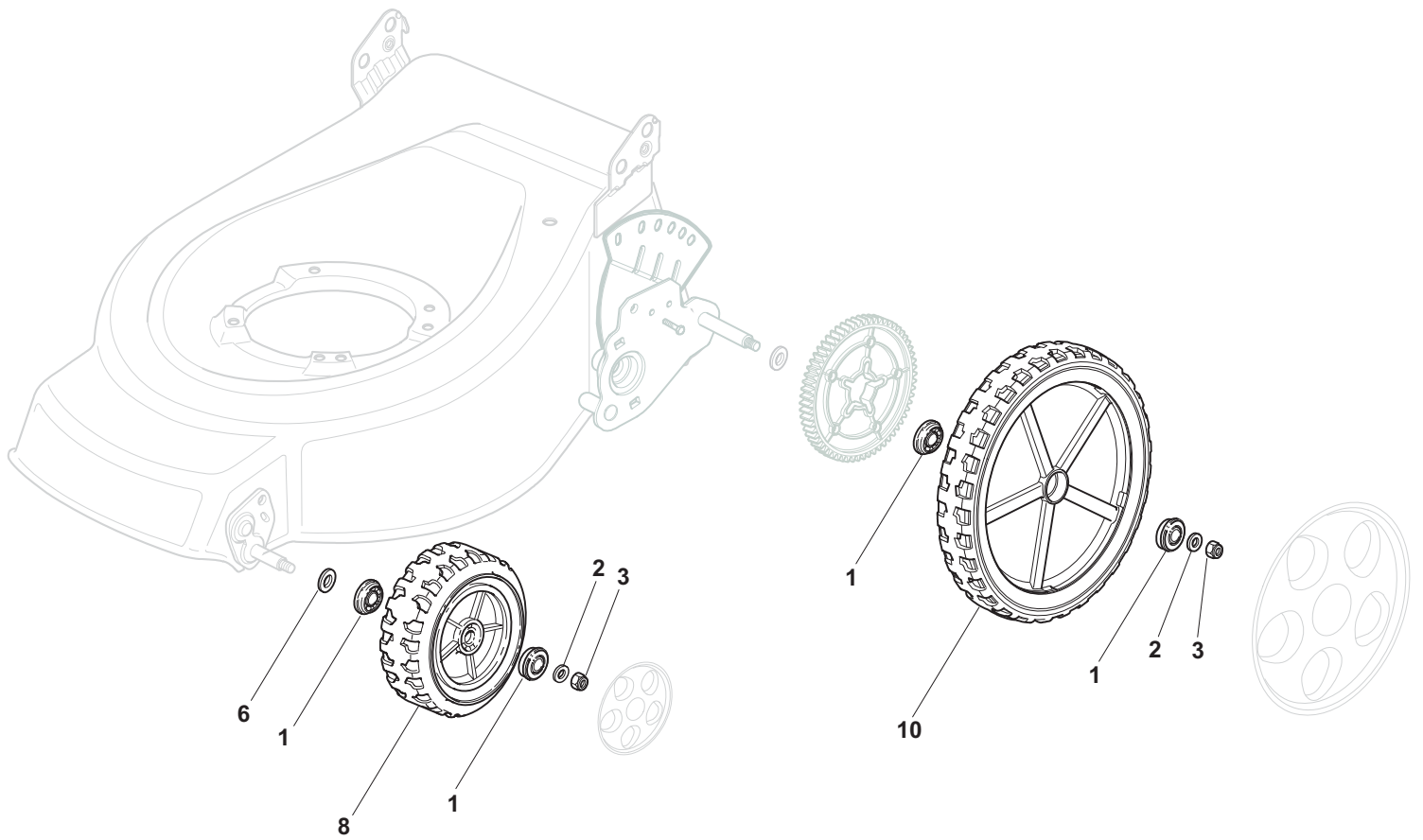
POS	PART. NO	Q.ty	DESCRIPTION	DESCRIZIONE	DESCRIPTION	BESCHREIBUNG	REMARKS
1	12731590/0	1	Screw	Vite	Vis	Schraube	
2	12521310/0	1	Washer	Rosetta	Rondelle	Scheibe	
3	22785123/0	2	Support, Battery	Supporto Batteria	Support Batterie	Halter, Batterie	
4	18120052/0	2	Battery	Batteria	Batterie	Batterie	
5	22109530/0	1	Cover	Coperchio	Couvercle	Deckel	
6	118204192/3	1	Cable, Start	Cavo Avviamento	Cable Démarrage	Kabel, Start	B&S-GGP
6	18204198/0	1	Cable, Start	Cavo Avviamento	Cable Démarrage	Kabel, Start	Honda
7	22722800/0	1	L Protection	Protezione Dx	Protection G	Linke Schutz	
8	22722801/0	1	R Protection	Protezione Sx	Protection D	Rechte Schutz	
9	18450050/0	1	Switch	Interruttore	Interrupteur	Schalter	
10	12728702/0	1	Screw	Vite	Vis	Schraube	CE
11	12728691/0	2	Screw	Vite	Vis	Schraube	UK
12	18204120/0	2	Battery Charger	Carica Batteria	Chargeur De	Ladgerät	
12	18204121/0	1	Battery Charger	Carica Batteria	Chargeur De	Ladgerät	
13	18210016/1	1	Starting Key	Chiave Avviamento	Clef A Demarrage	Schlüssel Für Start	



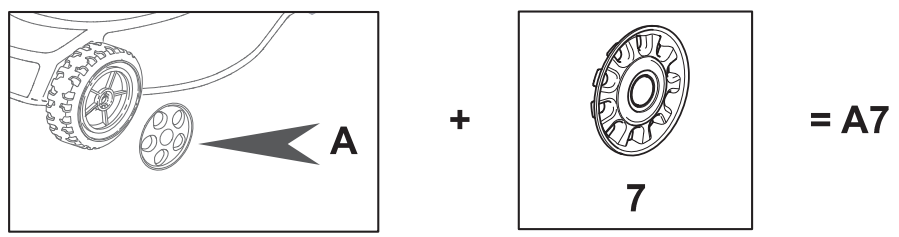
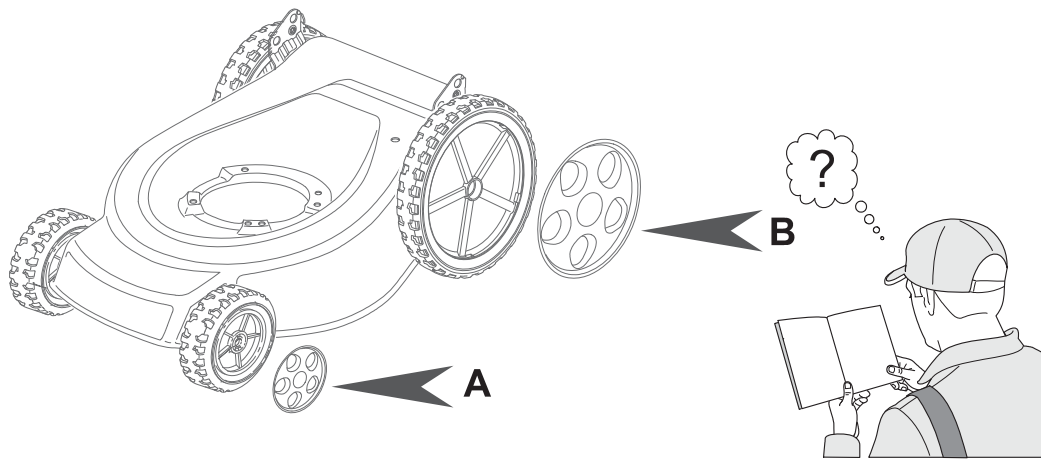
POS	PART. NO	Q.ty	DESCRIPTION	DESCRIZIONE	DESCRIPTION	BESCHREIBUNG	REMARKS
1	22041957/1	1	Bush	Bussola	Douille	Buchse	
2	22450063/0	1	Spring	Molla	Ressort	Feder	
3	22680009/0	1	Washer	Rosetta	Rondelle	Scheibe	
4	12154510/0	1	Nut	Dado	Ecrou	Mutter	
5	22110230/0	1	Cap	Tappo	Bouchon	Gummistopfen	
11	12608600/0	4	Seeger	Seeger	Seeger	Seeger	
12	22570110/1	1	Pinion R	Pignone Dx	Pignon D	Ritzel Rechtes	
13	22600160/0	2	Protection, Wheel	Prot. Ruote	Protection Roue	Schütz	
14	19216035/0	2	Bearing	Cuscinetto	Coussinet	Lager	
15	12789000/0	2	Screw	Vite	Vis	Schraube	
16	381002853/2	1	Axle, Rear Wheels	Asse Ruote Posteriori	Axe Roues Arriere	Achse, Hinterrad	
17	381003326/0	1	Lever, Height Adjustment	Leva Regolazione Altezza	Levier Reglage Hauteur	Hebel, Höneverstellung	
18	12154330/0	2	Nut	Dado	Ecrou	Mutter	
19	122450454/0	1	Spring	Molla	Ressort	Feder	
21	22570120/1	1	Pinion L	Pignone Sx	Pignon G	Ritzel Linkes	
22	22753000/0	2	Pin	Spina	Goupille	Stift	
23	81003092/0	1	Gear Box	Gruppo Trazione	Groupe Traction	Antrieb	
24	22601909/0	1	Pulley	Puleggia	Poulie	Riemenscheibe	
25	12645705/0	1	Pin	Spina	Goupille	Stift	
26	22033283/0	1	Adjustment Rod	Asta Regolazione	Tige Reglage	Verstellungstange	
27	35063902/0	1	Belt	Cinghia	Courroie	Riemen	



POS	PART. NO	Q.ty	DESCRIPTION	DESCRIZIONE	DESCRIPTION	BESCHREIBUNG	REMARKS
1	22122200/0	8	Bearing	Cuscinetto	Coussinet	Lager	
2	12521350/0	4	Washer	Rosetta	Rondelle	Scheibe	
3	12155000/0	2	Nut	Dado	Ecrou	Mutter	
6	12530150/0	2	Elastic Washer	Rosetta Elastica	Rondelle Elastique	Elastische Scheibe	
8	81007343/0	2	Wheel Ø 210	Ruota Ø 210	Roue Ø 210	Rad Ø 210	
10	81007380/0	2	Wheel Ø 300	Ruota Ø 300	Roue Ø 300	Rad Ø 300	



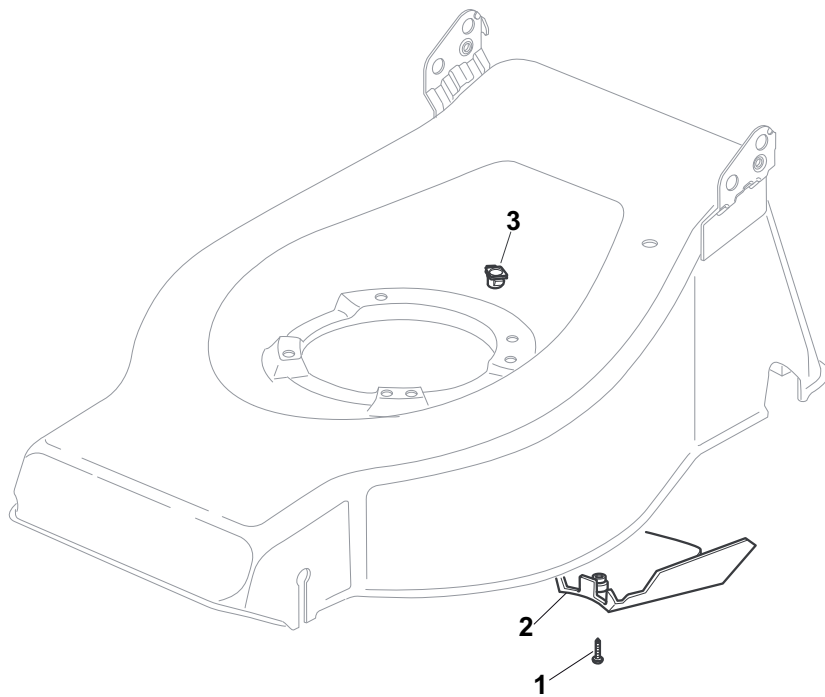
POS	PART. NO	Q.ty	DESCRIPTION	DESCRIZIONE	DESCRIPTION	BESCHREIBUNG	REMARKS
1	22122200/0	8	Bearing	Cuscinetto	Coussinet	Lager	
2	12521350/0	4	Washer	Rosetta	Rondelle	Scheibe	
3	12155000/0	2	Nut	Dado	Ecrou	Mutter	
6	12530150/0	2	Washer	Rosetta	Rondelle	Scheibe	
8	381007390/1	2	Wheel Ø 210	Ruota Ø 210	Roue Ø 210	Rad Ø 210	
10	381007390/1	2	Wheel Ø 300	Ruota Ø 300	Roue Ø 300	Rad Ø 300	



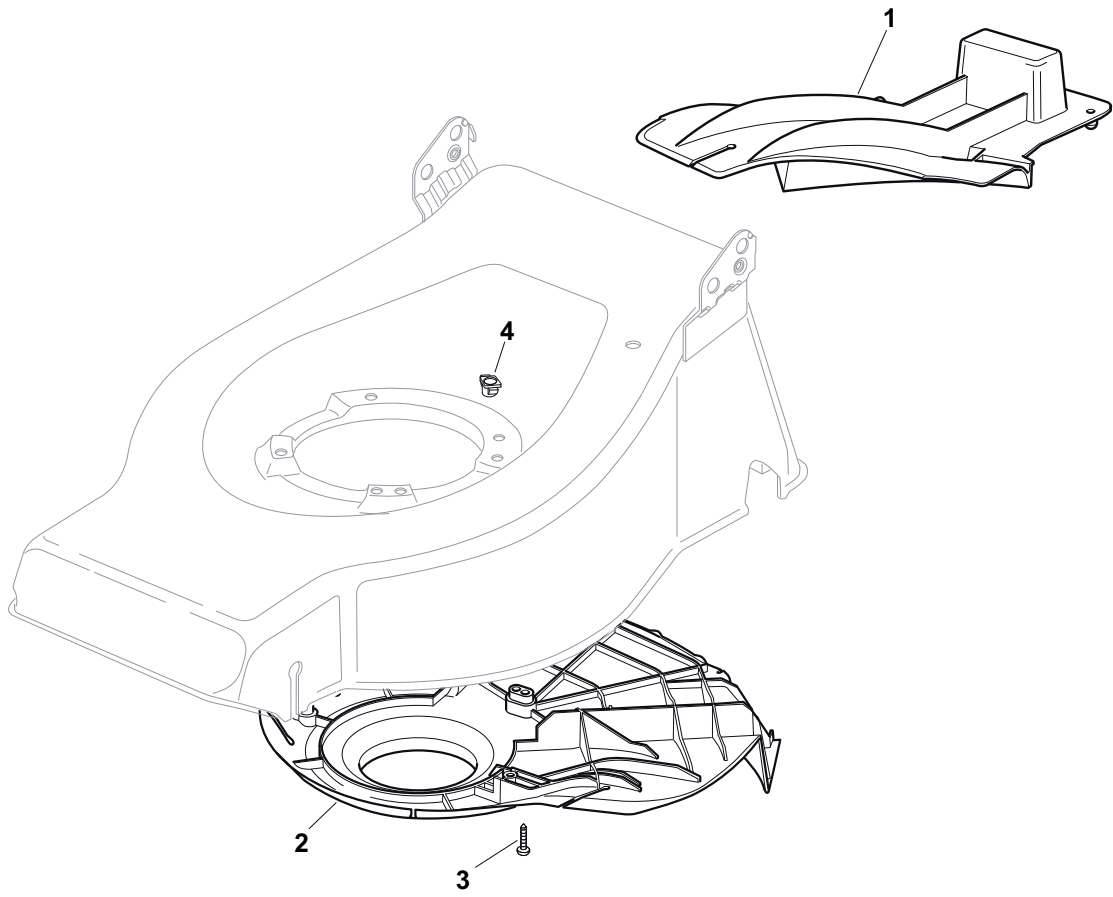
- 1**
- 2**
- 3**
- 4**
- 5**
- 6**
- 7**
- 8**



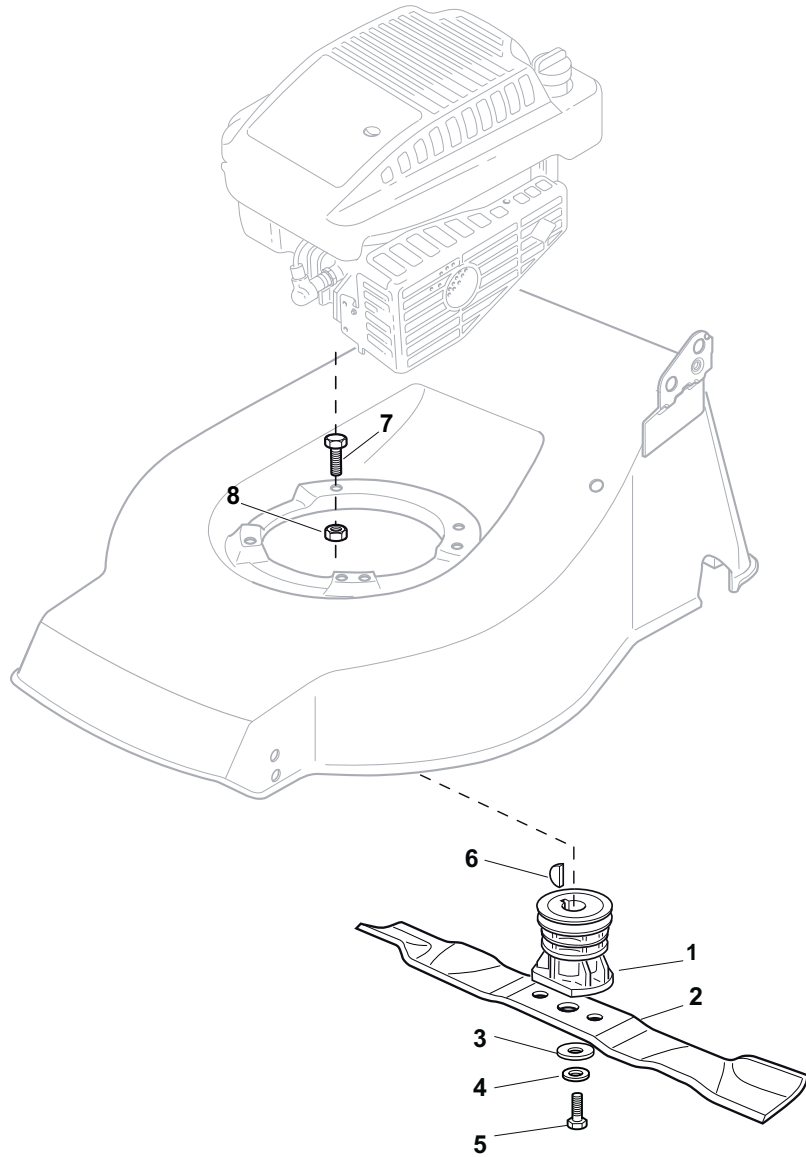
POS	PART. NO	Q.ty	DESCRIPTION	DESCRIZIONE	DESCRIPTION	BESCHREIBUNG	REMARKS
A1	22110251/0	2	Hub Cap White	Coprimito Bianco	Couvre-Moyeu Blanc	Radkappe Weiße	
A1	22110253/0	2	Hub Cap Yellow	Coprimito Giallo	Couvre-Moyeu Jaune	Radkappe Gelbe	
A1	22110256/0	2	Hub Cap Red	Coprimito Rosso	Couvre-Moyeu Rouge	Radkappe Rot	
A2	22110313/0	2	Hub Cap Grey	Coprimito Grigio	Couvre-Moyeu	Radkappe	
A2	22110314/0	2	Hub Cap Grey	Coprimito Grigio	Couvre-Moyeu	Radkappe	
A3	22110348/0	2	Hub Cap Grey	Coprimito Grigio	Couvre-Moyeu	Radkappe	
A4	22110382/0	2	Hub Cap Grey	Coprimito Grigio	Couvre-Moyeu	Radkappe	
B4	22110511/0	2	Hub Cap Grey	Coprimito Grigio	Couvre-Moyeu	Radkappe	
A5	22110417/0	2	Hub Cap Grey	Coprimito Grigio	Couvre-Moyeu	Radkappe	
B5	322110590/0	2	Hub Cap Grey	Coprimito Grigio	Couvre-Moyeu	Radkappe	
A6	22110492/0	2	Hub Cap Grey	Coprimito Grigio	Couvre-Moyeu	Radkappe	
B6	322110560/0	2	Hub Cap Grey	Coprimito Grigio	Couvre-Moyeu	Radkappe	
A7	22110494/0	2	Hub Cap Grey	Coprimito Grigio	Couvre-Moyeu	Radkappe	
A8	22110496/0	2	Hub Cap Grey	Coprimito Grigio	Couvre-Moyeu	Radkappe	



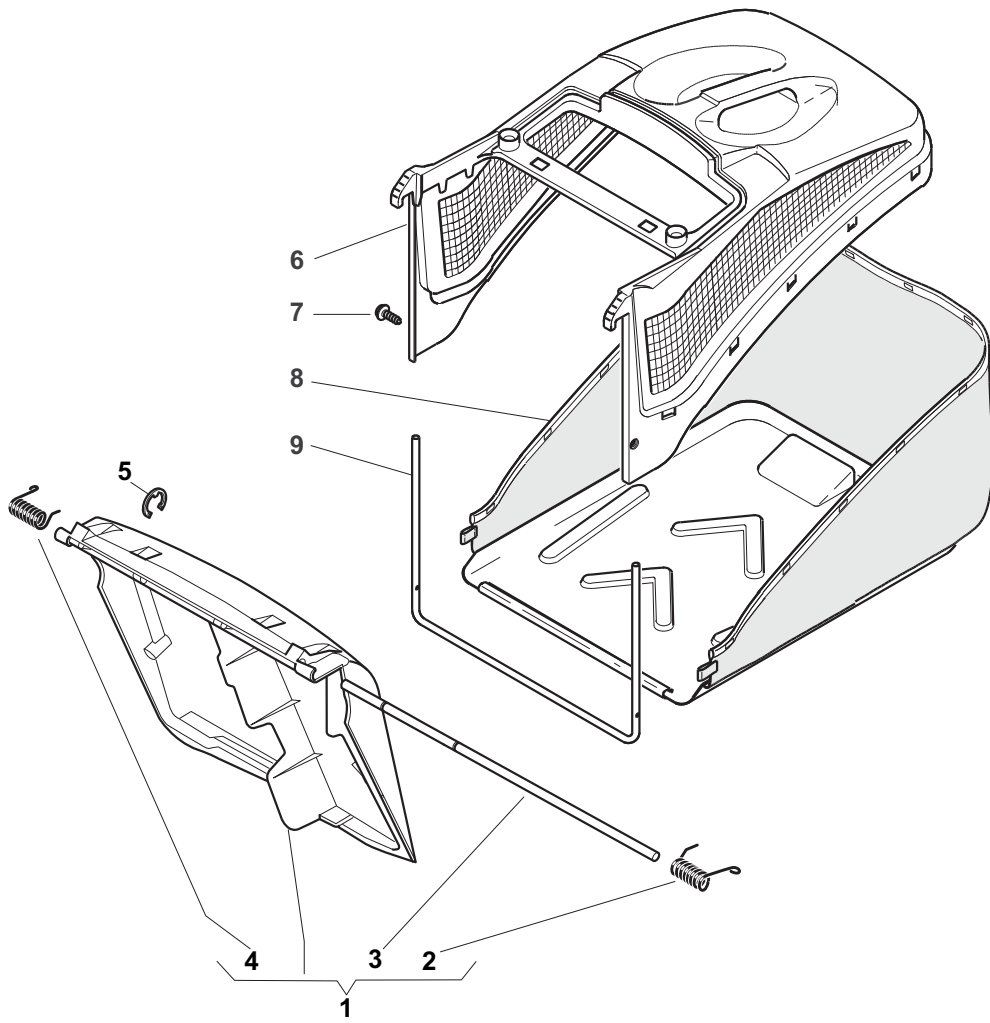
POS	PART. NO	Q.ty	DESCRIPTION	DESCRIZIONE	DESCRIPTION	BESCHREIBUNG	REMARKS
1	12728530/0	1	Screw	Vite	Vis	Schraube	
2	122060196/0	1	Protection, Belt	Carter Cinghia	Protection	Schutz, Riemen	
3	22291150/0	1	Rubber Insert	Insero In Gomma	Insert De	Gummi Einsatz	



POS	PART. NO	Q.ty	DESCRIPTION	DESCRIZIONE	DESCRIPTION	BESCHREIBUNG	REMARKS
1	22140222/0	1	Deflector	Deflettore	Deflecteur	Deflektor	
2	322060197/3	1	Protection	Carter	Protection	Schutz	
3	12728530/0	3	Screw	Vite	Vis	Schraube	
4	22291150/0	1	Rubber Insert	Inserto In Gomma	Insert De	Gummi Einsatz	

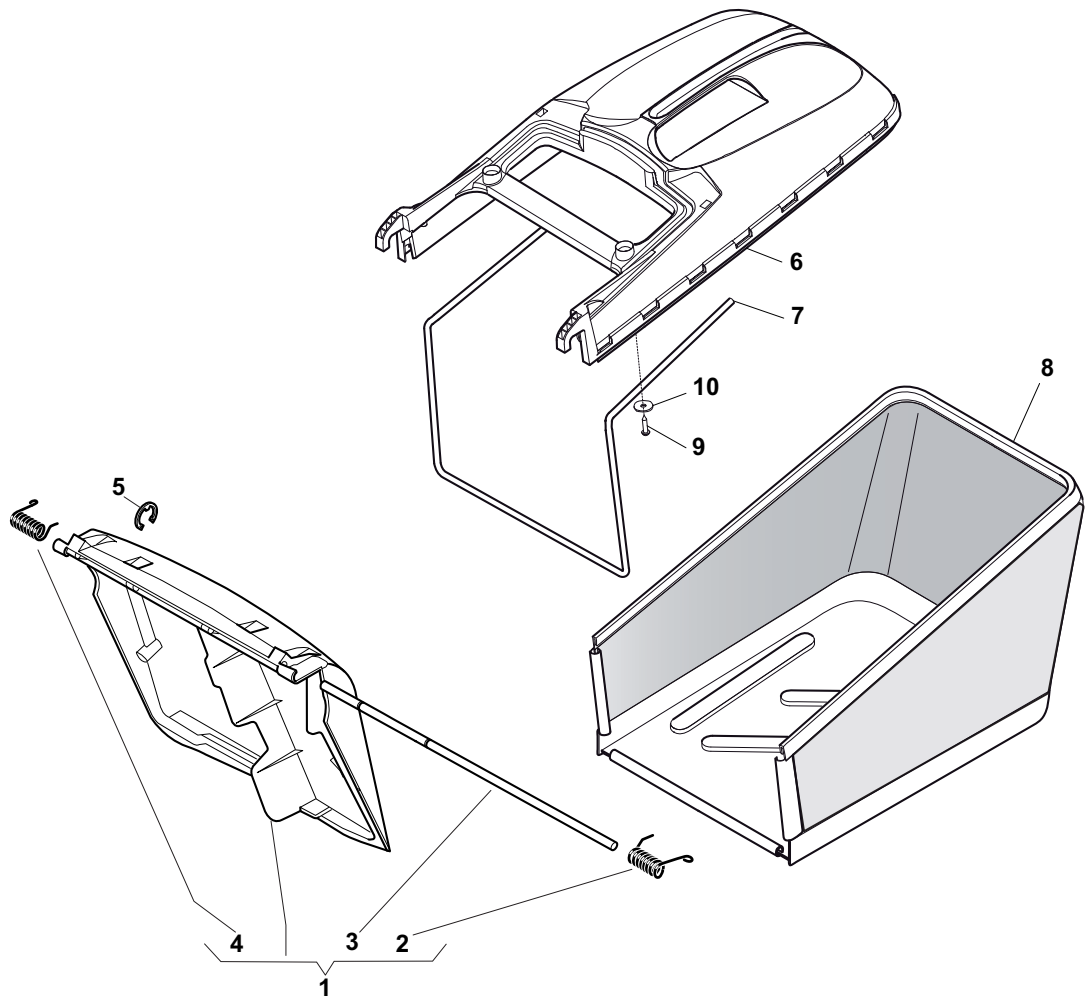


POS	PART. NO	Q.ty	DESCRIPTION	DESCRIZIONE	DESCRIPTION	BESCHREIBUNG	REMARKS
1	122465607/3	1	Hub With Pulley, Crankshaft Ø 22	Mozzo Con Puleggia, Albero Motore Ø 22	Moyeu Avec Poulie, Arbre Moteur Ø 22	Nabe Mit Scheibe, Motorwelle Ø 22	GGP-B&S
1	122465608/2	1	Hub With Pulley, Crankshaft Ø 25	Mozzo Con Puleggia, Albero Motore Ø 25	Moyeu Avec Poulie, Arbre Moteur Ø 25	Nabe Mit Scheibe, Motorwelle Ø 25	Honda
2	81004381/1	1	Blade Standard	Coltello Standard	Lame Standard	Messer Standard	
2	81004398/0	1	Blade Winged	Coltello Alettato	Lame Ailette	Messer Flügel	
3	22160400/0	1	Elastic Washer	Disco Elastico	Rondelle Elastique	Elastischescheibe	
4	12523080/0	1	Washer	Rosetta	Rondelle	Scheibe	
5	12735698/0	1	Screw	Vite	Vis	Schraube	
6	12139100/0	1	Feather, Crankshaft Ø 22.2	Linguetta, Albero Motore Ø 22.2	Clavette, Arbre Moteur Ø 22.2	Keil, Motorwelle Ø 22.2	GGP-B&S
6	12139150/0	1	Feather, Crankshaft Ø 25	Linguetta, Albero Motore Ø 25	Clavette, Arbre Moteur Ø 25	Keil, Motorwelle Ø 25	Honda
7	112691100/0	1	Screw	Vite	Vis	Schraube	
7	112793701/0	2	Screw	Vite	Vis	Schraube	
8	112154210/0	3	Nut	Dado	Ecrou	Mutter	

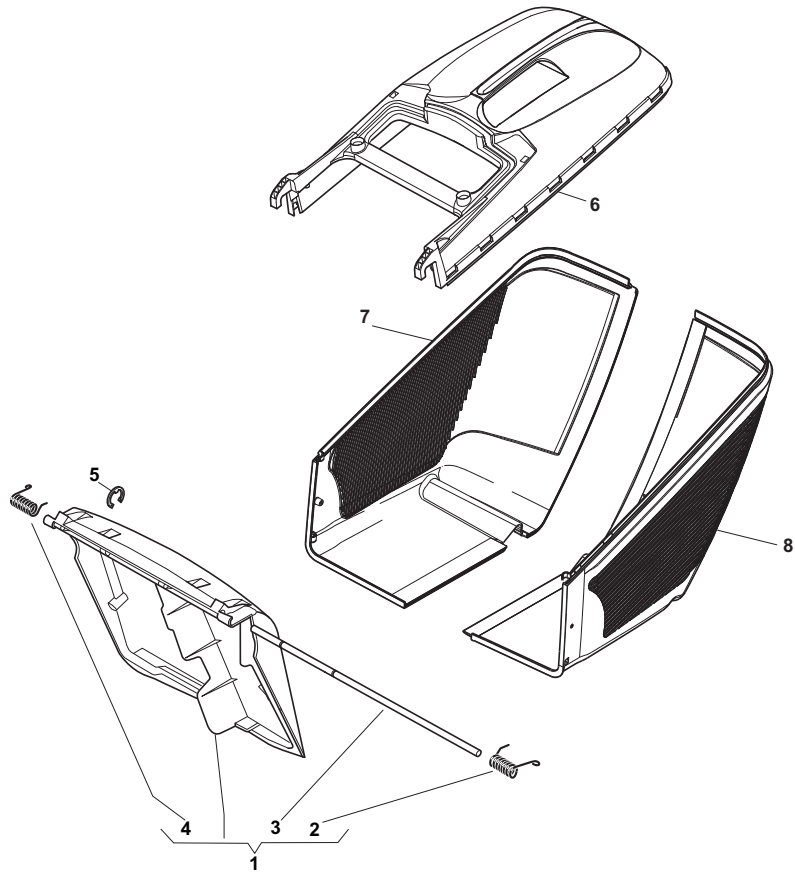




POS	PART. NO	Q.ty	DESCRIPTION	DESCRIZIONE	DESCRIPTION	BESCHREIBUNG	REMARKS
1	381008021/2	1	Stone-Guard	Parasassi	Pare-Pierres	Prallblech	
2	22450420/1	1	R Spring	Molla Dx	Ressort D	Rechte Feder	
3	22517906/1	1	Pin	Perno	Pivot	Bolzen	
4	22450410/1	1	L Spring	Molla Sx	Ressort G	Linke Feder	
5	12000930/0	1	Snap Ring	Anello Elastico	Anneau Ressort	Sprengring	
6	22486093/0	1	Grass-Box, Upper	Sacco, Parte Sup	Sac, Partie	Korb, Oberteil	
7	12728445/0	2	Screw	Vite	Vis	Schraube	
8	81002195/0	1	Box, Fabric	Sacco, Tela	Sac, Toile	Sack, Tuck	
9	22608523/0	1	Stiffening Lower	Rinforzo Inf	Réinforcement Inf	Verstärkung	



POS	PART. NO	Q.ty	DESCRIPTION	DESCRIZIONE	DESCRIPTION	BESCHREIBUNG	REMARKS
1	381008021/2	1	Stone-Guard	Parasassi	Pare-Pierres	Prallblech	
2	22450420/1	1	L Spring	Molla Sx	Ressort G	Linke Feder	
3	22517906/1	1	Pin	Perno	Pivot	Bolzen	
4	22450410/1	1	R Spring	Molla Dx	Ressort D	Rechte Feder	
5	12000930/0	1	Snap Ring	Anello Elastico	Anneau Ressort	Sprengring	
6	22486101/0	1	Grass-Box, Upper	Sacco, Parte Sup	Sac, Partie	Korb, Oberteil	
7	22608525/0	1	Stiffening Lower	Rinforzo Inf	Réinforcement Inf	Verstärkung	
8	81002211/0	1	Box, Fabric	Sacco, Tela	Sac, Toile	Sack, Tuck	
9	12728680/0	2	Screw	Vite	Vis	Schraube	
10	12523050/0	2	Washer	Rosetta	Rondelle	Scheibe	



POS	PART. NO	Q.ty	DESCRIPTION	DESCRIZIONE	DESCRIPTION	BESCHREIBUNG	REMARKS
1	381008021/2	1	Stone-Guard	Parasassi	Pare-Pierres	Prallblech	
2	22450420/1	1	L Spring	Molla Sx	Ressort G	Linke Feder	
3	22517906/1	1	Pin	Perno	Pivot	Bolzen	
4	22450410/1	1	R Spring	Molla Dx	Ressort D	Rechte Feder	
5	12000930/0	1	Snap Ring	Anello Elastico	Anneau Ressort	Sprengring	
6	22486101/0	1	Grass-Box, Upper	Sacco, Parte Sup	Sac, Partie	Korb, Oberteil	
7	322486150/1	1	Grass-Box, R Lower	Sacco, Parte Inf Dx	Sac, Partie Inf. D	Korb, R Unterteil	
8	322486151/1	1	Grass-Box, L Lower	Sacco, Parte Inf Sx	Sac, Partie Inf. G	Korb, L Unterteil	