

# Genuine Spare Parts

Catalogo delle parti di ricambio  
Spare parts catalogue  
Catalogue des pieces de rechange  
Ersatzteilkatalog

# 2010

- Use GLOBAL GARDEN PRODUCT Genuine Spare Parts specified in the parts list for repair and/or replacement.
- The contents described in the parts list may change due to improvement.
- The drawings of the spare parts are only indicative and might not represent the part in question exactly.
- The indications "right" - "left" - "front" - "rear" refer to the position of the operator when using the machine.
- When placing orders of parts for repair and/or replacement, make sure that the illustrated parts list is the one applying to the machine's year of manufacture, as shown on the identification plate attached to the machine.

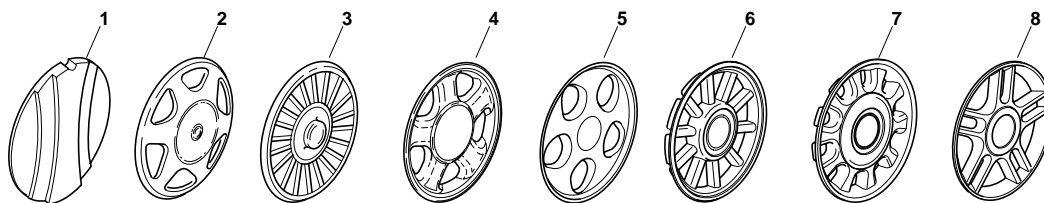
COPYRIGHT by GLOBAL GARDEN PRODUCTS

All rights reserved. No part of this material may be reproduced or transmitted, in any form or by any means, electronic or mechanical, including photocopying, recording or by any information storage and retrieval system, without permission in writing from GLOBAL GARDEN PRODUCTS.



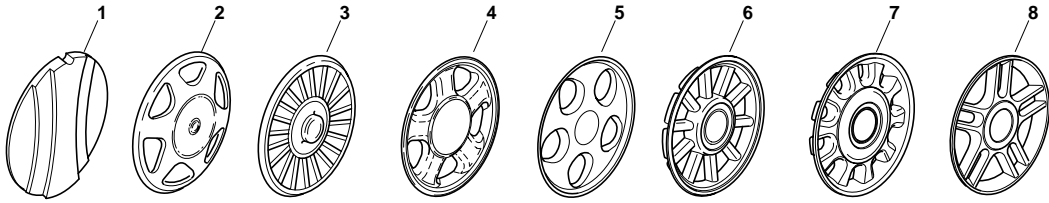
**GLOBAL GARDEN PRODUCTS**

## ENCLOSURE 1



POS.	CODE	Q.TY	DESCRIZIONE	DESCRIPTION	DESCRIPTION	BESCHREIBUNG	REMARKS
1	22110252/1		Coprimozzo Bianco	Hub Cap White	Couvre-Moyeu	Radkappe Weiße	
1	22110254/1		Coprimozzo Giallo	Hub Cap Yellow	Couvre-Moyeu	Radkappe Gelbe	
1	22110255/1		Coprimozzo Rosso	Hub Cap Red	Couvre-Moyeu	Radkappe Rote	
2	22110344/0		Coprimozzo Bianco	Hub Cap White	Couvre-Moyeu	Radkappe Weiße	
2	22110395/0		Coprimozzo Grigio	Hub Cap Grey	Couvre-Moyeu Gris	Radkappe Grau	
3	22110347/0		Coprimozzo Grigio	Hub Cap Grey	Couvre-Moyeu Gris	Radkappe Grau	
4	22110381/0		Coprimozzo Grigio	Hub Cap Grey	Couvre-Moyeu Gris	Radkappe Grau	
5	22110416/0		Coprimozzo Grigio	Hub Cap Grey	Couvre-Moyeu Gris	Radkappe Grau	
6	22110495/0		Coprimozzo Grigio	Hub Cap Grey	Couvre-Moyeu Gris	Radkappe Grau	
7	22110493/0		Coprimozzo Grigio	Hub Cap Grey	Couvre-Moyeu Gris	Radkappe Grau	
8	22110491/0		Coprimozzo Grigio	Hub Cap Grey	Couvre-Moyeu Gris	Radkappe Grau	

## ENCLOSURE 2



POS.	CODE	Q.TY	DESCRIZIONE	DESCRIPTION	DESCRIPTION	BESCHREIBUNG	REMARKS
1	22110251/0		Coprismozzo Bianco	Hub Cap White	Couvre-Moyeu	Radkappe Weiße	
1	22110253/0		Coprismozzo Giallo	Hub Cap Yellow	Couvre-Moyeu	Radkappe Gelbe	
1	22110256/0		Coprismozzo Rosso	Hub Cap Red	Couvre-Moyeu	Radkappe Rote	
2	22110313/0		Coprismozzo Bianco	Hub Cap White	Couvre-Moyeu	Radkappe Weiße	
2	22110314/0		Coprismozzo Grigio	Hub Cap Grey	Couvre-Moyeu Gris	Radkappe Grau	
3	22110348/0		Coprismozzo Grigio	Hub Cap Grey	Couvre-Moyeu Gris	Radkappe Grau	
4	22110382/0		Coprismozzo Grigio	Hub Cap Grey	Couvre-Moyeu Gris	Radkappe Grau	
5	22110417/0		Coprismozzo Grigio	Hub Cap Grey	Couvre-Moyeu Gris	Radkappe Grau	
6	22110496/0		Coprismozzo Grigio	Hub Cap Grey	Couvre-Moyeu Gris	Radkappe Grau	
7	22110494/0		Coprismozzo Grigio	Hub Cap Grey	Couvre-Moyeu Gris	Radkappe Grau	
8	22110492/0		Coprismozzo Grigio	Hub Cap Grey	Couvre-Moyeu Gris	Radkappe Grau	

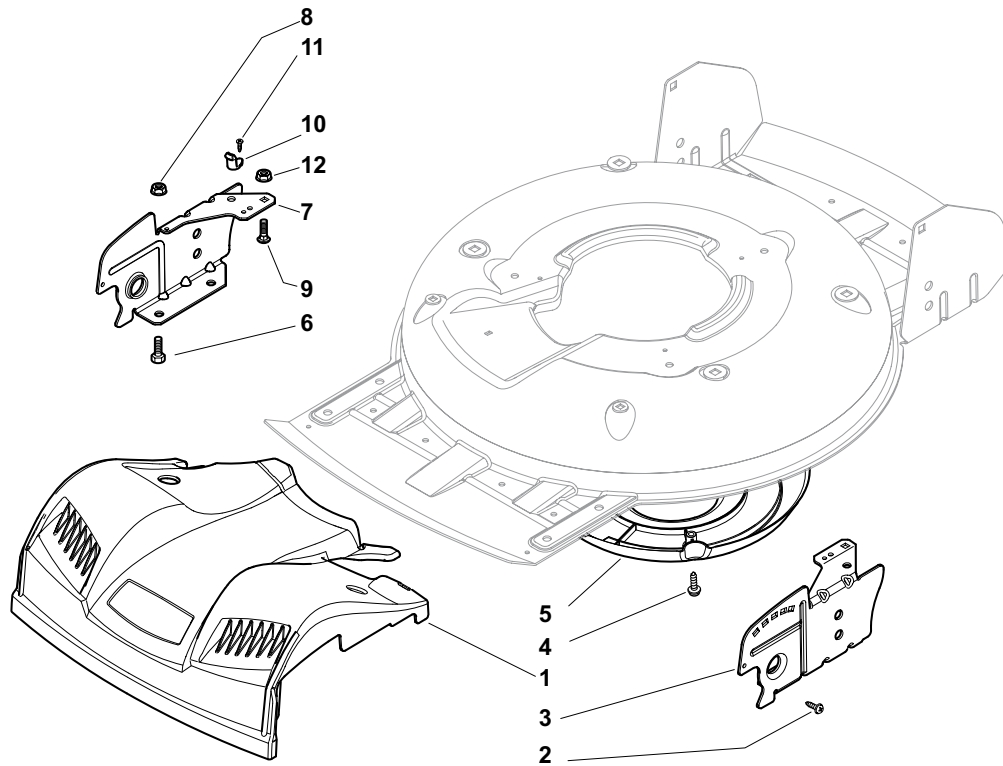
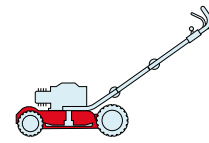
# MCS 504

TR

TR-E

TR 4S

TR-E 4S



POS.	CODE	Q.TY	DESCRIZIONE	DESCRIPTION	DESCRIPTION	BESCHREIBUNG	REMARKS
1	322226097/1	1	Mascherina, Giallo	Mask, Yellow	Mesque, Jaune	Maske, Gelb	
1	322226098/1	1	Mascherina, Grigio	Mask, Grey	Mesque, Gris	Maske, Grau	
2	12728523/0	2	Vite	Screw	Vis	Schraube	
3	22778421/0	1	Staffa Sx	Bracket, L	Bride G	Pratze, Linke	
4	12728530/0	3	Vite	Screw	Vis	Schraube	
5	22060220/0	1	Carter	Protection	Protection	Schutz	
6	12792611/0	4	Vite	Screw	Vis	Schraube	
7	22778419/0	1	Staffa Dx	Bracket, R	Bride D	Pratze, Rechte	
8	12293201/0	4	Dado	Nut	Ecrou	Mutter	
9	12815200/0	2	Vite	Screw	Vis	Schraube	
10	22020400/0	2	Aggancio	Fairlead	Support	Halter	
11	12728523/0	2	Vite	Screw	Vis	Schraube	
12	12292102/0	2	Dado	Nut	Ecrou	Mutter	

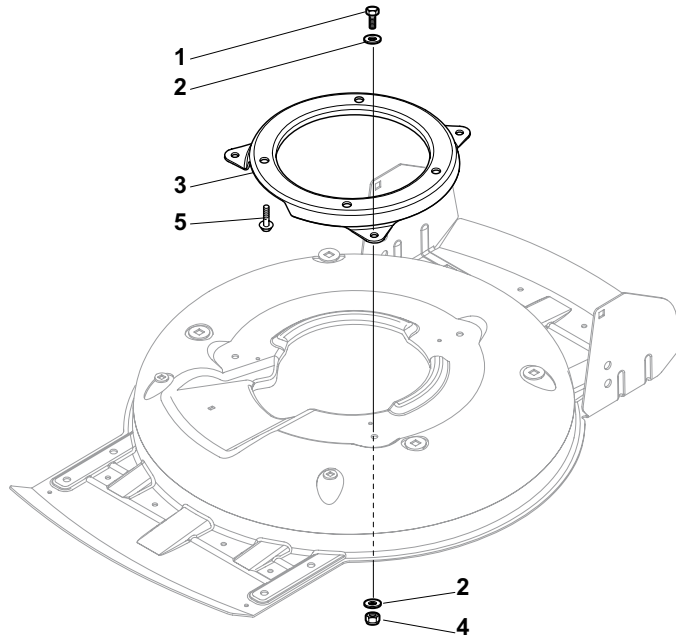
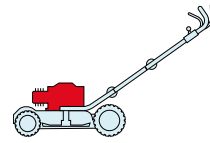
# MCS 504

TR

TR-E

TR 4S

TR-E 4S



POS.	CODE	Q.TY	DESCRIZIONE	DESCRIPTION	DESCRIPTION	BESCHREIBUNG	REMARKS
1	12792611/0	3	Vite	Screw	Vis	Schraube	
2	12523060/0	6	Rosetta	Washer	Rondelle	Scheibe	
3	322207219/1	1	Flangia	Flange	Bride	Flansch	
4	12293201/0	3	Dado	Nut	Ecrou	Mutter	
5	112735108/1	3	Vite	Screw	Vis	Schraube	

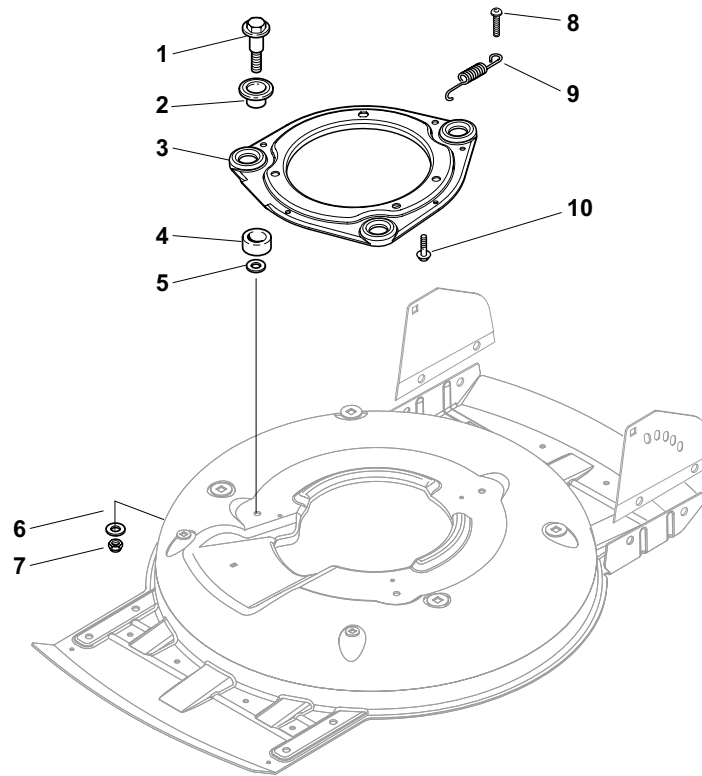
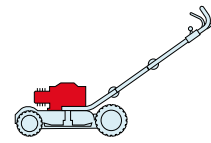
# MCS 504

TR

TR-E

TR 4S

TR-E 4S



POS.	CODE	Q.TY	DESCRIZIONE	DESCRIPTION	DESCRIPTION	BESCHREIBUNG	REMARKS
1	22524329/0	3	Perno	Pin	Pivot	Bolzen	
2	22672201/0	3	Rosetta	Washer	Rondelle	Scheibe	
3	22207225/0	1	Flangia, Nero	Flange, Black	Bride, Noir	Flansch, Schwarz	TR
3	322207221/1	1	Flangia, Nero	Flange, Black	Bride, Noir	Flansch, Schwarz	TR 4S
3	81207221/1	1	Flangia, Giallo	Flange, Yellow	Bride, Jaune	Flansch, Gelb	TR
3	38120722571	1	Flangia, Giallo	Flange, Yellow	Bride, Jaune	Flansch, Gelb	TR 4S
4	22250012/0	3	Gommino	Grommet	Caoutchouc	Gummi	
5	22671651/0	3	Rosetta	Washer	Rondelle	Scheibe	
6	12521350/0	3	Rosetta	Washer	Rondelle	Scheibe	
7	12155000/0	3	Dado	Nut	Ecrou	Mutter	
8	12791400/0	1	Vite	Screw	Vis	Schraube	
9	22450444/0	1	Molla	Spring	Ressort	Feder	
10	112735108/1	3	Vite	Screw	Vis	Schraube	

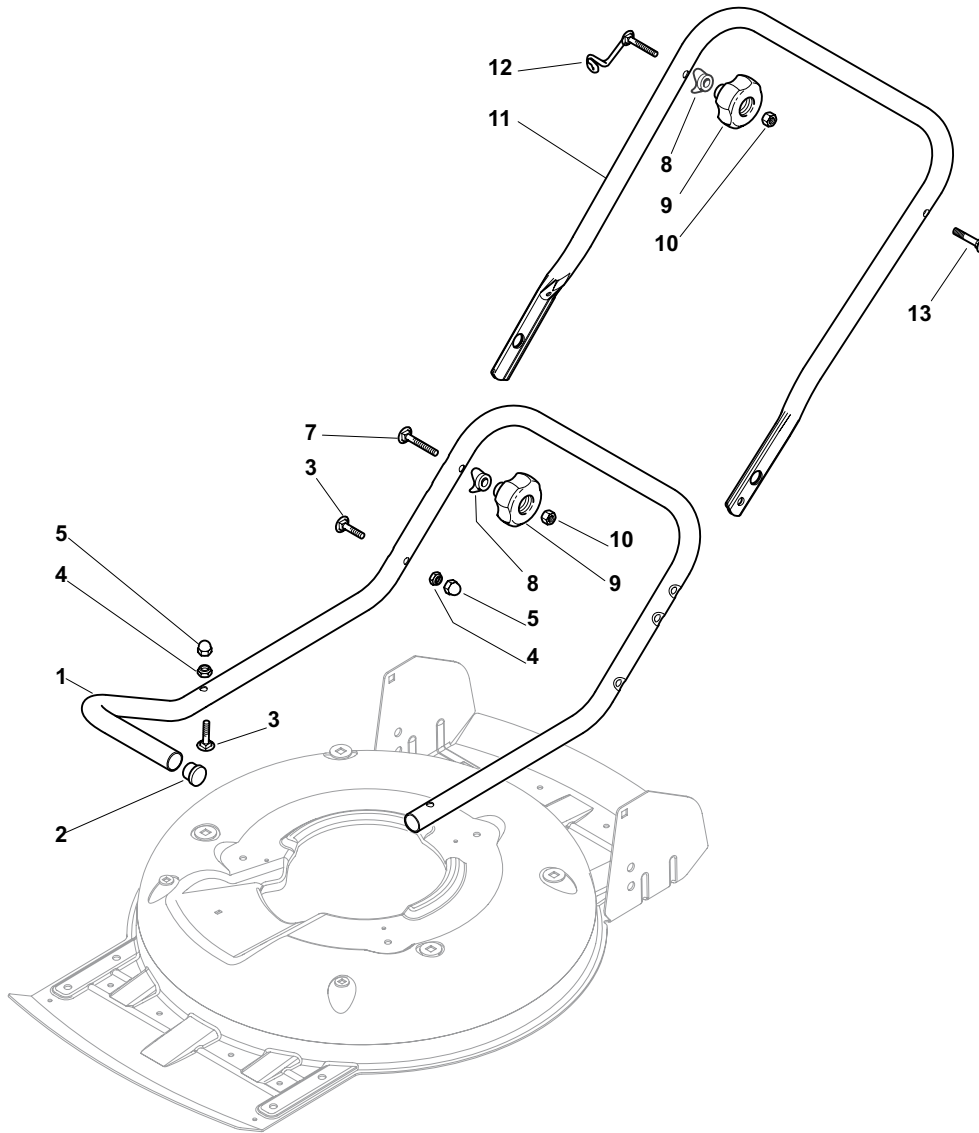
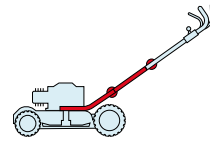
# MCS 504

TR

TR-E

TR 4S

TR-E 4S



POS.	CODE	Q.TY	DESCRIZIONE	DESCRIPTION	DESCRIPTION	BESCHREIBUNG	REMARKS
1	81006667/0	1	Manico, Parte Inf	Handle, Lower Part	Mancheron, Partie Inferieure	Holm, Unterteil	
2	18566110/0	2	Puntale	Cap	Bouchon	Gummistopfen	
3	12818900/0	4	Vite	Screw	Vis	Schraube	
4	12155000/0	4	Dado	Nut	Ecrou	Mutter	
5	18203854/0	4	Cappuccio	Protection	Capuchon	Stecker	
6	12818900/0	4	Vite	Screw	Vis	Schraube	
7	12819201/0	2	Vite	Screw	Vis	Schraube	
8	22680006/1	4	Rosetta	Washer	Rondelle	Scheibe	
9	322399804/1	4	Manopolina	Knob	Poignée	Griff	
10	12293200/0	4	Dado	Nut	Ecrou	Mutter	
11	81006668/0	1	Manico, Parte Intermedia	Handle, Middle Part	Mancheron	Holm	
12	81003801/1	1	Molla Guida	Spring	Ressort	Feder	
13	12819201/0	1	Vite	Screw	Vis	Schraube	

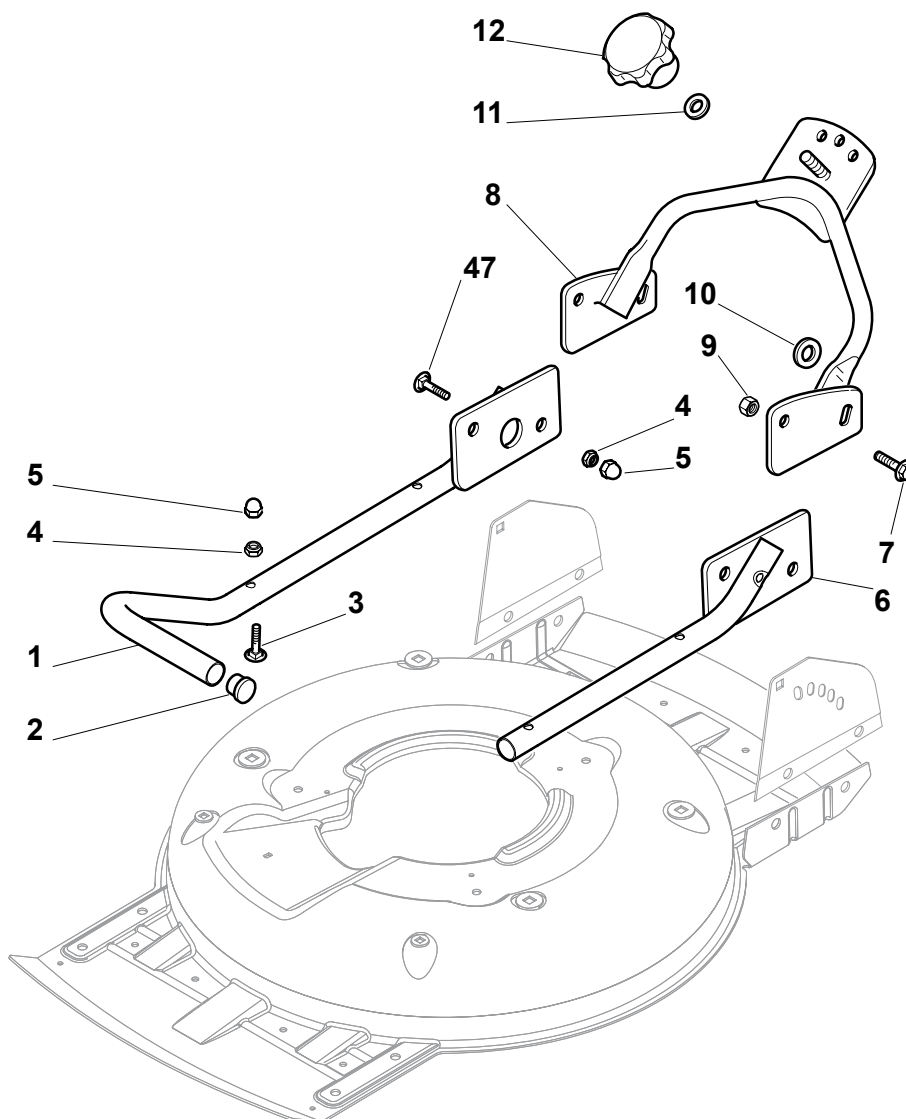
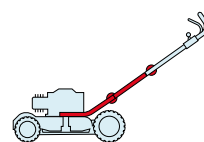
# MCS 504

TR

TR-E

TR 4S

TR-E 4S



POS.	CODE	Q.TY	DESCRIZIONE	DESCRIPTION	DESCRIPTION	BESCHREIBUNG	REMARKS
1	81006373/0	1	Manico, Parte Inf Dx	Right Handle, Lower Part	Mancheron, Partie Inferieure	Holm, Unterteil	
2	18566114/0	4	Puntale	Cap	Bouchon	Gummistopfen	
3	12819100/0	6	Vite	Screw	Vis	Schraube	
4	12155000/0	6	Dado	Nut	Ecrou	Mutter	
5	18203854/0	6	Cappuccio	Protection	Capuchon	Stecker	
6	81006375/0	1	Manico, Parte Inf Sx	Left Handle, Lower Part	Mancheron, Partie Inferieure	Holm, Unterteil	
7	12793102/0	4	Vite	Screw	Vis	Schraube	
8	381006361/0	1	Manico, Parte Intermedia	Handle, Middle Part	Mancheron	Holm	
9	12155000/0	4	Dado	Nut	Ecrou	Mutter	
10	12523060/0	2	Rosetta	Washer	Rondelle	Scheibe	
11	12523080/0	1	Rosetta	Washer	Rondelle	Scheibe	
12	22399813/0	1	Manopolina	Knob	Poignée	Griff	



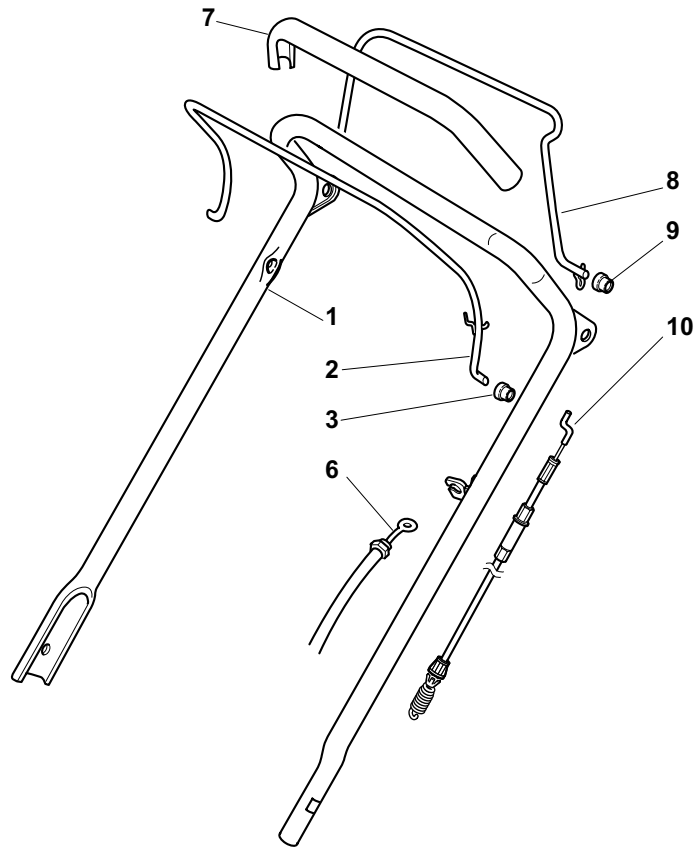
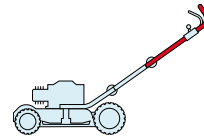
# MCS 504

TR

TR-E

TR 4S

TR-E 4S



POS.	CODE	Q.TY	DESCRIZIONE	DESCRIPTION	DESCRIPTION	BESCHREIBUNG	REMARKS
1	81007024/0	1	Manico, Parte Sup	Handle, Upper Part	Mancheron, Partie Supérieure	Holm, Oberteil	
2	81003291/3	1	Leva Freno Motore	Lever, Engine Brake	Levier Frein Moteur	Hebel, Motorbremse	
3	22041966/0	2	Bussola	Bush	Douille	Buchse	
6	81000631/0	1	Cavo Freno Motore	Cable, Thread Engine Brake	Cable Frein Moteur	Kabel, Motorbremse	(B&S 450-500 Series)
6	81000642/1	1	Cavo Freno Motore	Cable, Thread Engine Brake	Cable Frein Moteur	Kabel, Motorbremse	(B&S 625-675 Series)
6	81000634/0	1	Cavo Freno Motore	Cable, Thread Engine Brake	Cable Frein Moteur	Kabel, Motorbremse	(Ggp 140cc)
6	81000615/0	1	Cavo Freno Motore	Cable, Thread Engine Brake	Cable Frein Moteur	Kabel, Motorbremse	(Ggp 150cc)
6	81000634/0	1	Cavo Freno Motore	Cable, Thread Engine Brake	Cable Frein Moteur	Kabel, Motorbremse	(Ggp 160cc)
6	81000634/0	1	Cavo Freno Motore	Cable, Thread Engine Brake	Cable Frein Moteur	Kabel, Motorbremse	(Ggp 196cc)
6	81000631/0	1	Cavo Freno Motore	Cable, Thread Engine Brake	Cable Frein Moteur	Kabel, Motorbremse	(Honda Gcv 135-160-190)
7	22291050/0	1	Impugnatura Manico Nera	Handgrip Black	Poignée Noire	Handgriff Schwarz	
8	81003288/1	1	Leva Trazione	Driving Lever	Levier Traction	Antriebhebel	
9	22041965/1	2	Bussola	Bush	Douille	Buchse	
10	81000734/1	1	Cavo Comando Trazione	Cable, Rear Drive	Câble, Commande Traction	Kabel, Antrieb	

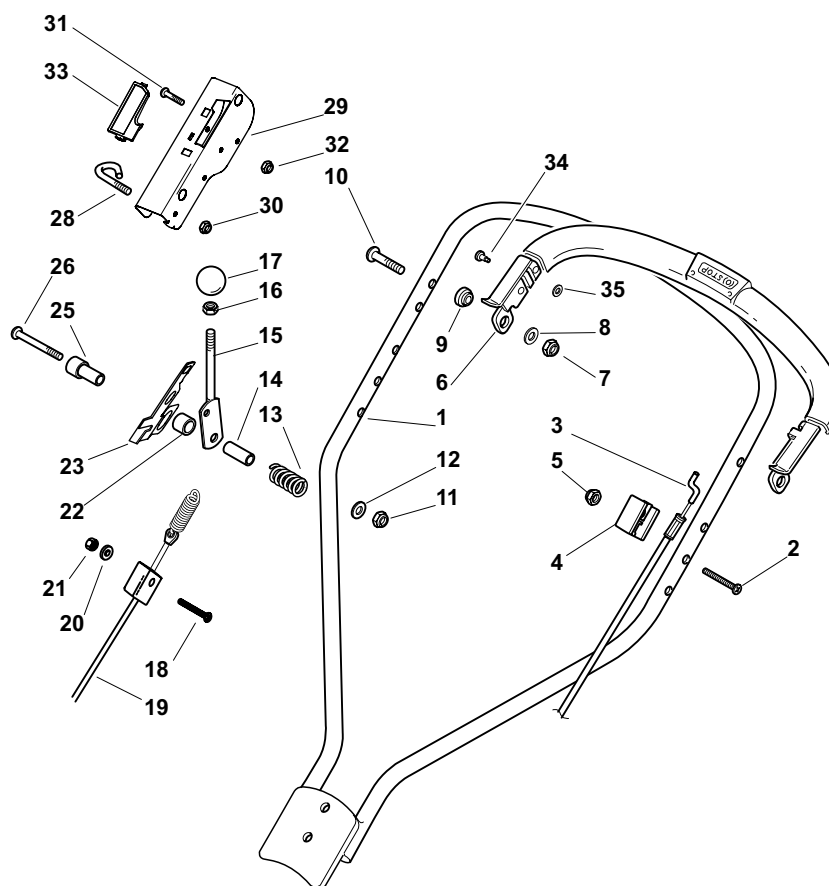
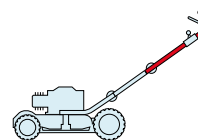
# MCS 504

TR

TR-E

TR 4S

TR-E 4S



POS.	CODE	Q.TY	DESCRIZIONE	DESCRIPTION	DESCRIPTION	BESCHREIBUNG	REMARKS
1	81006367/0	1	Manico, Parte Sup	Handle, Upper Part	Manchon, Partie Supérieure	Holm, Oberteil	
2	12727783/0	1	Vite	Screw	Vis	Schraube	
3	181000769/1	1	Cavo Freno Motore	Cable, Thread Engine Brake	Cable Frein Moteur	Kabel, Motorbremse	(B&S 450-500 Series)
3	181000618/0	1	Cavo Freno Motore	Cable, Thread Engine Brake	Cable Frein Moteur	Kabel, Motorbremse	(B&S 625-675 Series)
3	181000618/0	1	Cavo Freno Motore	Cable, Thread Engine Brake	Cable Frein Moteur	Kabel, Motorbremse	(Ggp 140cc)
3	181000618/0	1	Cavo Freno Motore	Cable, Thread Engine Brake	Cable Frein Moteur	Kabel, Motorbremse	(Ggp 160cc)
3	181000618/0	1	Cavo Freno Motore	Cable, Thread Engine Brake	Cable Frein Moteur	Kabel, Motorbremse	(Ggp 196cc)
3	81000730/0	1	Cavo Freno Motore	Cable, Thread Engine Brake	Cable Frein Moteur	Kabel, Motorbremse	(Ggp 150cc)
3	81000733/0	1	Cavo Freno Motore	Cable, Thread Engine Brake	Cable Frein Moteur	Kabel, Motorbremse	(Honda Gcv 135-160-190)
3	181000769/1	1	Cavo Freno Motore	Cable, Thread Engine Brake	Cable Frein Moteur	Kabel, Motorbremse	TR 4S (Honda Gcv 135-160-190)
4	22551640/0	1	Piastrina	Plate	Plaquette	Plättchen	
5	12154510/0	1	Dado	Nut	Ecrou	Mutter	
6	81003318/1	1	Leva Freno Motore	Lever, Engine Brake	Levier Frein Moteur	Hebel, Motorbremse	
7	12154510/0	2	Dado	Nut	Ecrou	Mutter	
8	12521330/0	2	Rosetta	Washer	Rondelle	Scheibe	
9	22671660/1	2	Rosetta	Washer	Rondelle	Scheibe	
10	12727784/0	2	Vite	Screw	Vis	Schraube	
11	12292100/0	1	Dado	Nut	Ecrou	Mutter	
12	12530060/0	1	Rosetta	Washer	Rondelle	Scheibe	
13	22450446/0	1	Molla	Spring	Ressort	Feder	
14	22170840/0	1	Distanziale	Spacer	Entretoise	Distanzring	

POS.	CODE	Q.TY	DESCRIZIONE	DESCRIPTION	DESCRIPTION	BESCHREIBUNG	REMARKS
15	81003313/0	1	Leva Trazione	Lever, Driving	Levier Traction	Hebel, Antrieb	
16	12293200/0	1	Dado	Nut	Ecrou	Mutter	
17	22399812/0	1	Manopolina	Knob	Poignée	Griff	
18	12727791/0	1	Vite	Screw	Vis	Schraube	
19	381000745/1	1	Cavo Comando Trazione	Cable, Rear Drive	Câble, Commande Traction	Kabel, Antrieb	
20	12521330/0	1	Rosetta	Washer	Rondelle	Scheibe	
21	12154510/0	1	Dado	Nut	Ecrou	Mutter	
22	22170843/0	1	Distanziale	Spacer	Entretoise	Distanzring	
23	22551653/0	1	Piastrina	Plate	Plaquette	Platte	
25	22170842/0	1	Distanziale	Spacer	Entretoise	Distanzring	
26	12727786/0	1	Vite	Screw	Vis	Schraube	
28	22430314/0	1	Molla Guida	Spring	Ressort	Feder	
29	81004405/0	1	Cruscotto	Dash Board	Console	Konsole	
30	12154510/0	1	Dado	Nut	Ecrou	Mutter	
31	12727792/0	1	Vite	Screw	Vis	Schraube	
32	12154510/0	1	Dado	Nut	Ecrou	Mutter	
33	22500050/0	1	Pattino	Shoe	Bloc De Glissement	Gleitblock	
34	22524342/0	1	Perno	Pin	Pivot	Bolzen	
35	12604897/0	1	Anello Elastico	Snap Ring	Anneau Ressort	Sprengring	

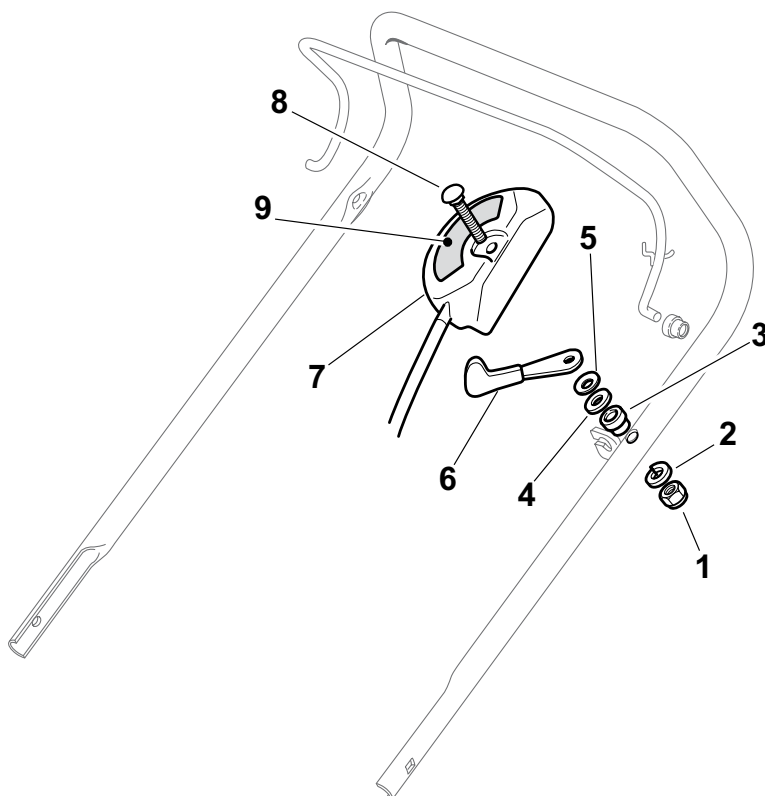
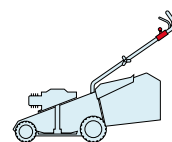
# MCS 504

TR

TR-E

TR 4S

TR-E 4S



POS.	CODE	Q.TY	DESCRIZIONE	DESCRIPTION	DESCRIPTION	BESCHREIBUNG	REMARKS
1	12291000/0	1	Dado	Nut	Ecrou	Mutter	
2	12581500/0	1	Grower	Grower	Grower	Federring	
3	22171005/0	1	Distanziale	Spacer	Entretoise	Distanzring	
4	12521360/0	1	Rosetta	Washer	Rondelle	Scheibe	
5	12508100/0	1	Rosetta Elastica	Spring Washer	Rondelle Elastique	Elastische Scheibe	
6	81007279/1	1	Leva, Acceleratore	Lever, Throttle	Levier, Accelérateur	Hebel, Beshleuniger	(B&S 625-675-700 Series - Honda - Ggp 140-160-196 cc)
6	81007220/0	1	Leva, Acceleratore	Lever, Throttle	Levier, Accelérateur	Hebel, Beshleuniger	(B&S 450-500 Series - Ggp 150 cc)
7	81007080/0	1	Cavo Acceleratore	Throttle Cable	Cable, Accelérateur	Gashebel Kabel	
8	12815000/0	1	Vite	Screw	Vis	Schraube	
9	14356703/0	1	Etichetta	Label	Etiquette	Etikette	(B&S)
9	114356905/0	1	Etichetta	Label	Etiquette	Etikette	(B&S 700 series DOV)
9	14356702/0	1	Etichetta	Label	Etiquette	Etikette	(GGP)
9	114364264/0	1	Etichetta	Label	Etiquette	Etikette	AVS (GGP 160-196)
9	14356702/0	1	Etichetta	Label	Etiquette	Etikette	(Honda)
9	114356905/0	1	Etichetta	Label	Etiquette	Etikette	(Honda GCV 160-190 Autochoke)

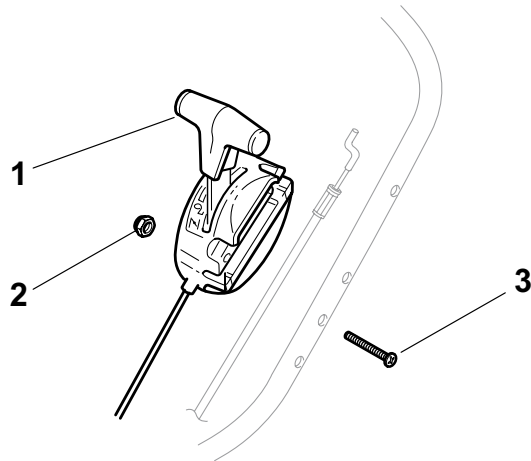
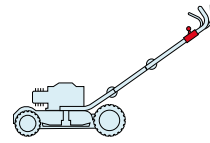
# MCS 504

TR

TR-E

TR 4S

TR-E 4S



POS.	CODE	Q.TY	DESCRIZIONE	DESCRIPTION	DESCRIPTION	BESCHREIBUNG	REMARKS
1	81007130/0	1	Cavo Acceleratore	Throttle Cable	Cable, Accelérateur	Gashebel Kabel	(Honda)
2	12154510/0	1	Dado	Nut	Ecrou	Mutter	
3	12727786/0	1	Vite	Screw	Vis	Schraube	

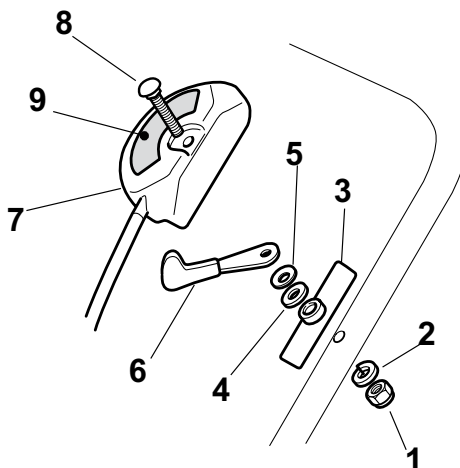
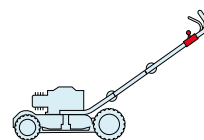
# MCS 504

TR

TR-E

TR 4S

TR-E 4S



POS.	CODE	Q.TY	DESCRIZIONE	DESCRIPTION	DESCRIPTION	BESCHREIBUNG	REMARKS
1	12291000/0	1	Dado	Nut	Ecrou	Mutter	
2	12581500/0	1	Grower	Grower	Grower	Federring	
3	22171006/0	1	Distanziale	Spacer	Entretoise	Distanzring	
4	12521360/0	1	Rosetta	Washer	Rondelle	Scheibe	
5	12508100/0	1	Rosetta Elastica	Spring Washer	Rondelle Elastique	Elastische Scheibe	
6	81007279/1	1	Leva, Acceleratore	Lever, Throttle	Levier, Accelérateur	Hebel, Beshleuniger	(B&S 625-675-700 Series - Honda - Ggp 140-160-196 cc)
6	81007220/0	1	Leva, Acceleratore	Lever, Throttle	Levier, Accelérateur	Hebel, Beshleuniger	(B&S 450-500 Series - Ggp 150 cc)
7	81007080/0	1	Cavo Acceleratore	Throttle Cable	Cable, Accelérateur	Gashebel Kabel	
8	12815030/0	1	Vite	Screw	Vis	Schraube	
9	14356703/0	1	Etichetta	Label	Etiquette	Etikette	(B&S)
9	114356905/0	1	Etichetta	Label	Etiquette	Etikette	(B&S 700 series DOV)
9	14356702/0	1	Etichetta	Label	Etiquette	Etikette	(GGP)
9	114364264/0	1	Etichetta	Label	Etiquette	Etikette	AVS (GGP 160-196)
9	14356702/0	1	Etichetta	Label	Etiquette	Etikette	(Honda)
9	114356905/0	1	Etichetta	Label	Etiquette	Etikette	(Honda GCV 160-190 Autochoke)

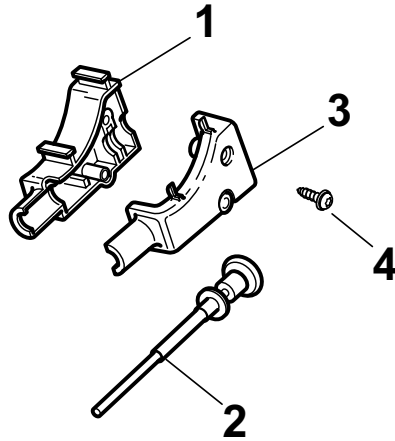
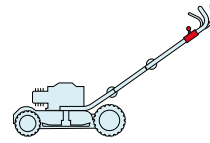
# MCS 504

TR

TR-E

TR 4S

TR-E 4S



POS.	CODE	Q.TY	DESCRIZIONE	DESCRIPTION	DESCRIPTION	BESCHREIBUNG	REMARKS
1	22722804/1	1	Protezione Dx	R Protection	Protection D	Rechte Schutz	
2	381000742/1	1	Comando Starter	Starter Drive	Commande Starter	Starter Betaetigung	(GGP 200 cc)
2	381030022/0	1	Comando Starter	Starter Drive	Commande Starter	Starter Betaetigung	(GGP 160 cc)
2	381030024/0	1	Comando Starter	Starter Drive	Commande Starter	Starter Betaetigung	(Honda)
3	22722805/1	1	Protezione Sx	L Protection	Protection G	Linke Schutz	
4	12728300/0	1	Vite	Screw	Vis	Schraube	

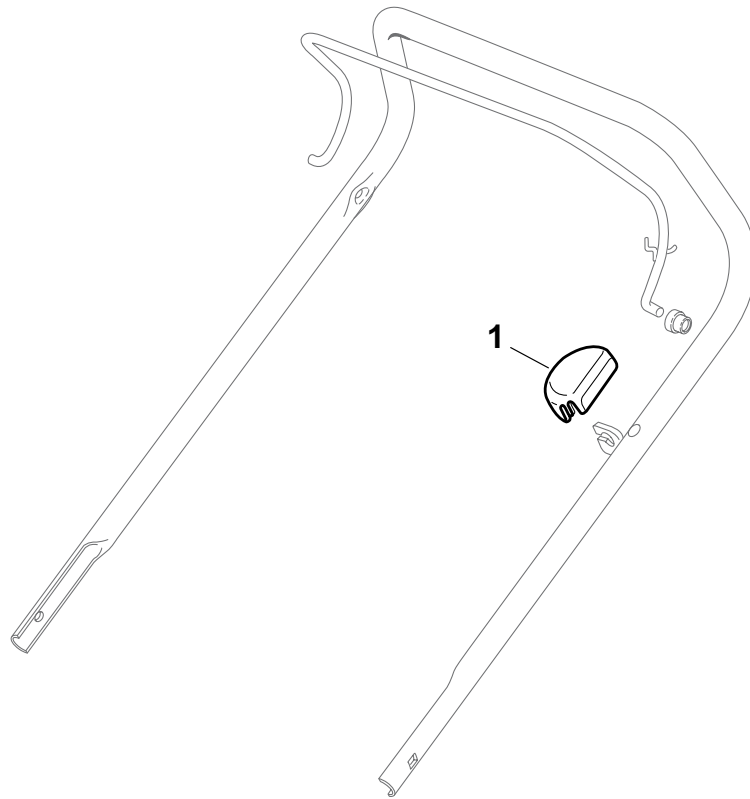
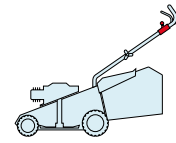
# MCS 504

TR

TR-E

TR 4S

TR-E 4S



POS.	CODE	Q.TY	DESCRIZIONE	DESCRIPTION	DESCRIPTION	BESCHREIBUNG	REMARKS
1	22601000/0	1	Protezione	Protection	Protection	Schutz	



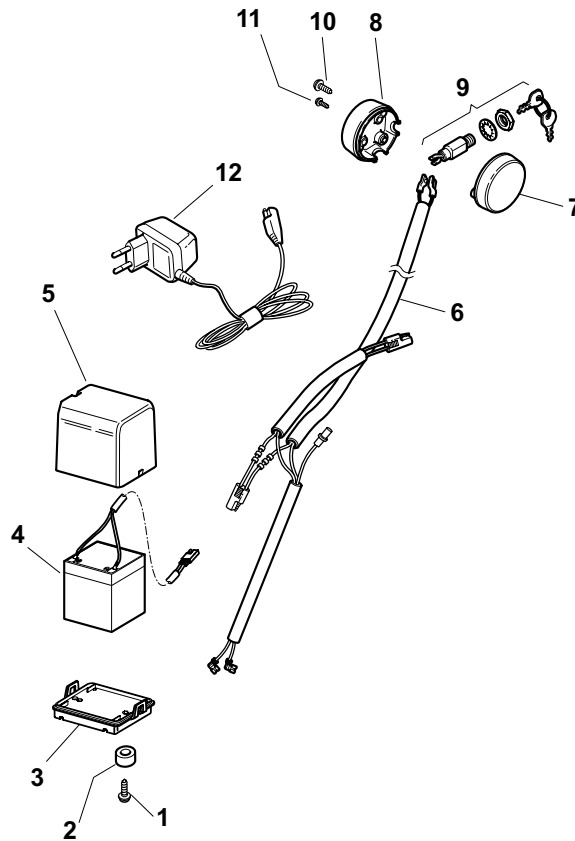
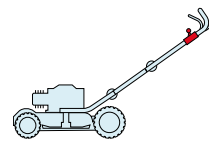
# MCS 504

TR

TR-E

TR 4S

TR-E 4S



POS.	CODE	Q.TY	DESCRIZIONE	DESCRIPTION	DESCRIPTION	BESCHREIBUNG	REMARKS
1	12728702/0	2	Vite	Screw	Vis	Schraube	
2	25160012/0	2	Distanziale	Spacer	Entretoise	Distanzring	
3	22785122/0	1	Supporto Batteria	Support, Battery	Support Batterie	Halter, Batterie	
4	18120052/0	1	Batteria	Battery	Batterie	Batterie	
5	22109530/0	1	Coperchio	Cover	Couvercle	Deckel	
6	18204197/0	1	Cavo Avviamento	Cable, Start	Cable Démarrage	Kabel, Start	
7	22722801/0	1	Protezione Sx	L Protection	Protection G	Linke Schutz	
8	22722800/0	1	Protezione Dx	R Protection	Protection D	Rechte Schutz	
9	18450050/0	1	Interruttore	Switch	Interrupteur	Schalter	
10	12728300/0	2	Vite	Screw	Vis	Schraube	
11	12728691/0	1	Vite	Screw	Vis	Schraube	
12	18204120/0	1	Carica Batteria	Battery Charger	Chargeur De Batterie	Ladgerät	
12	18204121/0	1	Carica Batteria	Battery Charger	Chargeur De	Ladgerät	(UK)

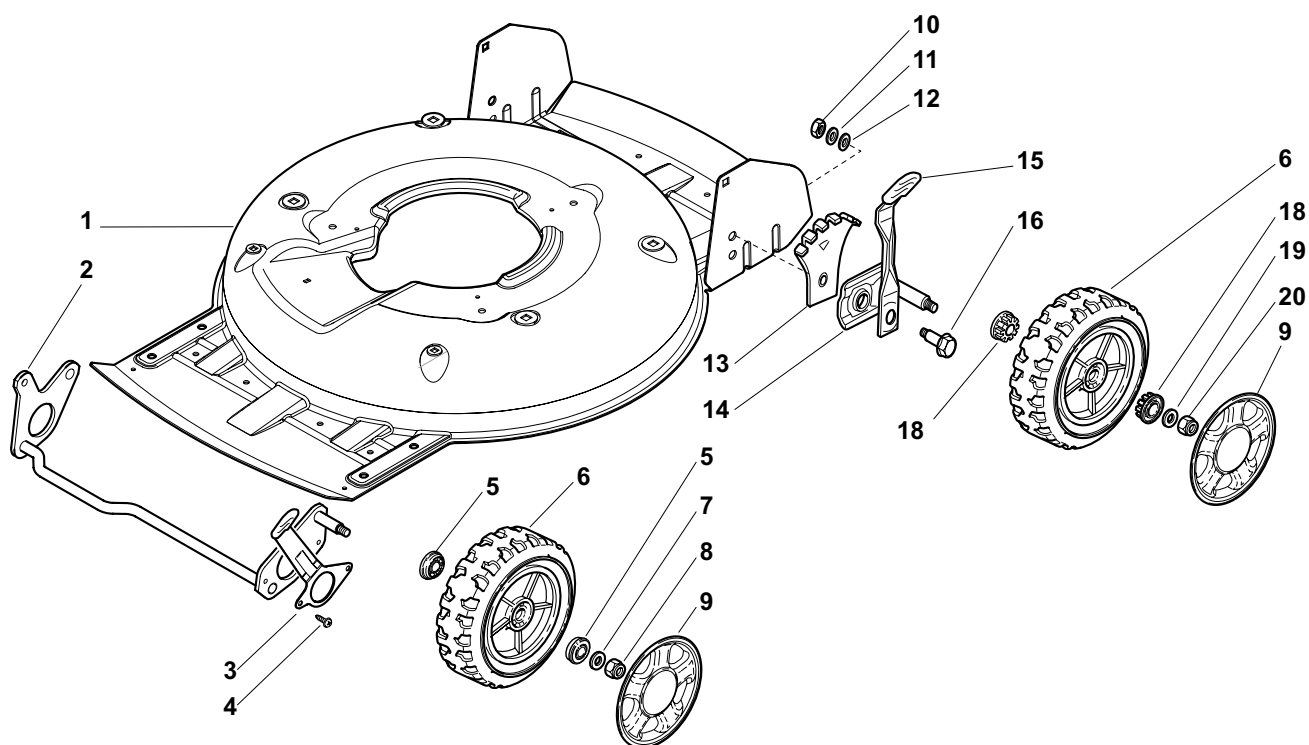
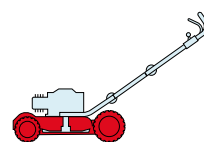
# MCS 504

TR

TR-E

TR 4S

TR-E 4S



POS.	CODE	Q.TY	DESCRIZIONE	DESCRIPTION	DESCRIPTION	BESCHREIBUNG	REMARKS
1	81002907/1	1	Chassis Giallo	Deck Yellow	Châssis Jaune	Gehäuse Gelb	
2	81002849/0	1	Asse Ruote Posteriore	Axle, Rear Wheels	Axe Roues Arriere	Achse, Hinterrad	
3	81003276/0	1	Leva Regolazione Altezza	Lever, Height Adjustment	Levier, Reglage Hauteur	Hebel, Höheverstellung	
4	12735661/0	2	Vite	Screw	Vis	Schraube	
5	22122200/0	4	Cuscinetto	Bearing	Coussinet	Lager	
6	81007343/0	4	Ruota Ø 210	Wheel Ø 210	Roue Ø 210	Rad Ø 210	
7	12369500/0	2	Disco Elastico	Elastic Washer	Rondelle Elastique	Elastischescheibe	
8	12155000/0	2	Dado	Nut	Ecrou	Mutter	
9	-	4	Coprimozzo	Hub Cap	Couvre-Moyeu	Radkappe	(See Enclosure 2)
10	12293200/0	2	Dado	Nut	Ecrou	Mutter	
11	12583500/0	2	Grower	Grower	Grower	Federring	
12	12523070/0	2	Rosetta	Washer	Rondelle	Scheibe	
13	22735547/0	2	Settore Regolazione Altezza	Sector, Height Adjustment	Secteur Reglage Hauteur	Sektor, Höheverstellung	
14	81005082/0	2	Supporto Ruota	Support, Wheel	Support Roue	Halter, Rad	
15	81003286/0	2	Leva Regolazione Altezza	Lever, Height Adjustment	Levier, Reglage Hauteur	Hebel, Höheverstellung	
16	22519811/0	2	Perno	Pin	Pivot	Bolzen	
18	22034508/0	4	Bussola	Bush	Douille	Buchse	
19	12523060/0	2	Rosetta	Washer	Rondelle	Scheibe	
20	12155000/0	2	Dado	Nut	Ecrou	Mutter	

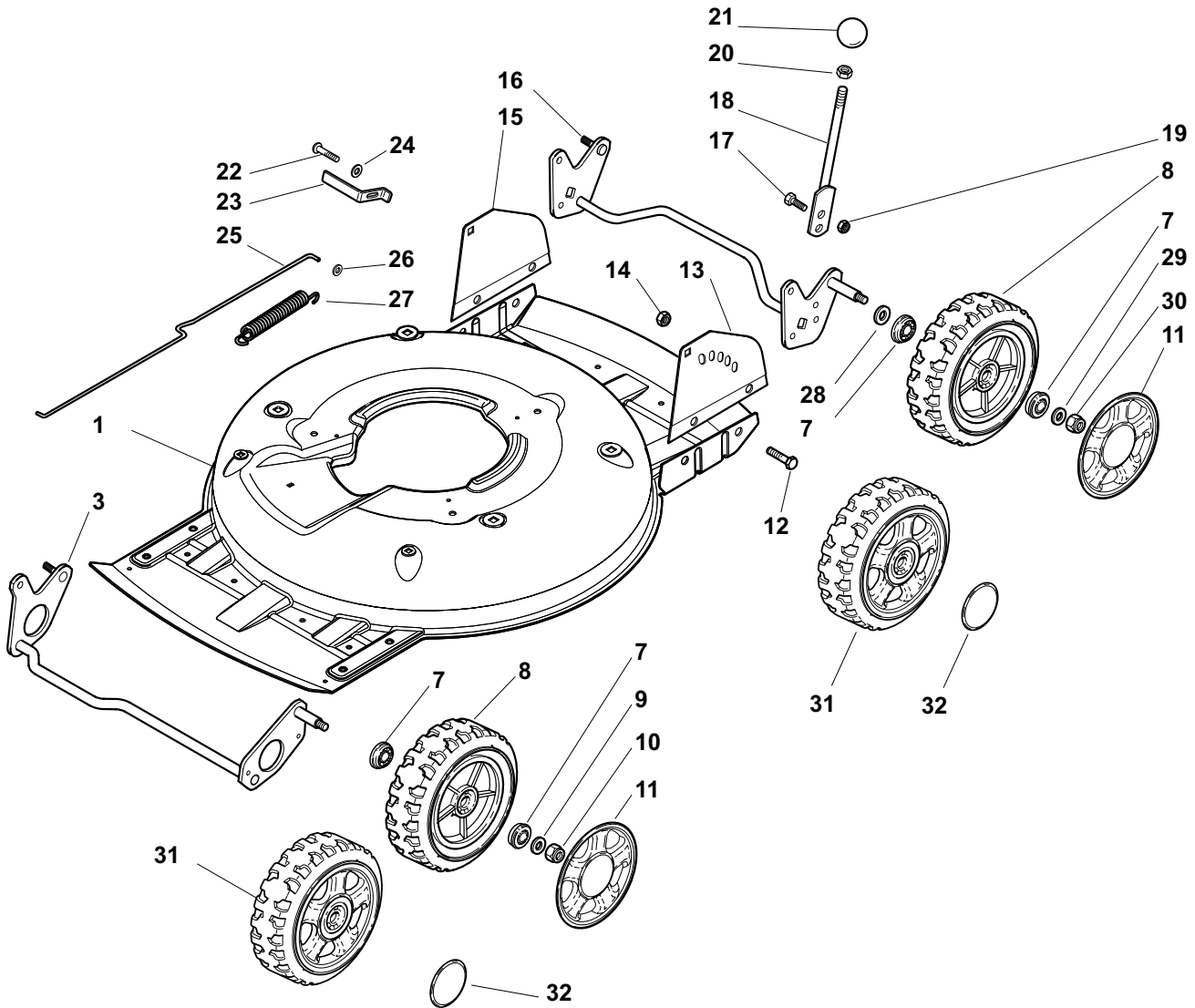
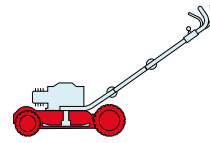
# MCS 504

TR

TR-E

TR 4S

TR-E 4S



POS.	CODE	Q.TY	DESCRIZIONE	DESCRIPTION	DESCRIPTION	BESCHREIBUNG	REMARKS
1	81002909/1	1	Chassis Grigio	Deck Grey	Châssis Gris	Gehäuse Grau	
1	322064691/0	1	Chassis INOX	Deck INOX	Châssis INOX	Gehäuse INOX	
3	81002849/0	1	Asse Ruote Anteriore	Axle, Front Wheels	Axe Roues Avant	Achse, Vorderrad	
7	22122200/0	8	Cuscinetto	Bearing	Coussinet	Lager	
8	81007343/0	4	Ruota Ø 210	Wheel Ø 210	Roue Ø 210	Rad Ø 210	
9	12369500/0	2	Disco Elastico	Elastic Washer	Rondelle Elastique	Elastischescheibe	
10	12155000/0	2	Dado	Nut	Ecrou	Mutter	
11	-	4	Coprismozzo	Hub Cap	Couvre-Moyeu	Radkappe	(See Enclosure 2)
12	12791011/0	4	Vite	Screw	Vis	Schraube	
13	322545169/0	1	Piastrina Sinistra, INOX	Left Plate, INOX	Plaquette Gauche, INOX	Plättchen Linke, INOX	
13	81545105/0	1	Piastrina Sinistra	Left Plate	Plaquette G	Plättchen L	
14	12154510/0	4	Dado	Nut	Ecrou	Mutter	
15	81545104/0	1	Piastrina Destra	Right Plate	Plaquette D	Plättchen R	
15	322545167/0	1	Piastrina Destra, INOX	Right Plate, INOX	Plaquette Droite, INOX	Plättchen Rechte, INOX	
16	81002851/0	1	Asse Ruote Posteriore	Axle, Rear Wheels	Axe Roues Arriere	Achse, Hinterrad	
17	12789000/0	2	Vite	Screw	Vis	Schraube	

POS.	CODE	Q.TY	DESCRIZIONE	DESCRIPTION	DESCRIPTION	BESCHREIBUNG	REMARKS
18	81003323/0	1	Leva Regolazione Altezza	Lever, Height Adjustment	Levier Reglage Hauteur	Hebel, Höneverstellung	
19	12154330/0	2	Dado	Nut	Ecrou	Mutter	
20	12293200/0	1	Dado	Nut	Ecrou	Mutter	
21	22399812/0	1	Manopolina	Knob	Poignée	Griff	
22	12735661/0	2	Vite	Screw	Vis	Schraube	
23	22551529/0	2	Piastrina	Plate	Plaquette	Plättchen	
24	12521330/0	2	Rosetta	Washer	Rondelle	Scheibe	
25	22033329/0	1	Asta Comando Regol.	Rod, Height Adjustment Control	Tige Commande Reglage Hauteur	Stange, Höneverstellung	
26	12604899/0	2	Fissatore A Corona	Crown Fastener	Fixateur A Couronne	Kronescheibe	
27	22446184/0	1	Molla	Spring	Ressort	Feder	
28	12530150/0	2	Rosetta	Washer	Rondelle	Scheibe	
29	12521350/0	2	Rosetta	Washer	Rondelle	Scheibe	
30	12155000/0	2	Dado	Nut	Ecrou	Mutter	
31	81007382/0	4	Ruota Ø 210	Wheel Ø 210	Roue Ø 210	Rad Ø 210	
32	22110419/0	4	Coprimozzo	Hub Cap	Couvre-Moyeu	Radkappe	

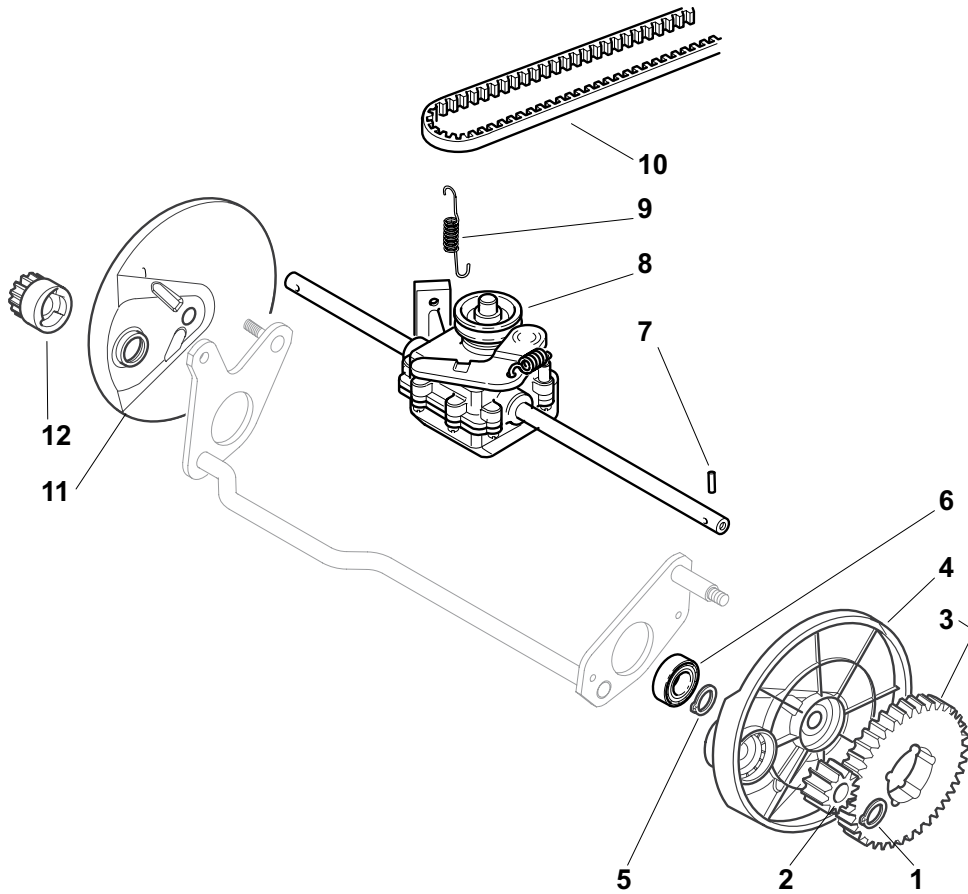
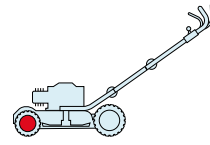
# MCS 504

TR

TR-E

TR 4S

TR-E 4S



POS.	CODE	Q.TY	DESCRIZIONE	DESCRIPTION	DESCRIPTION	BESCHREIBUNG	REMARKS
1	12608600/0	2	Seeger	Seeger	Seeger	Seeger	
2	22570120/1	1	Pignone Sx	Pinion L	Pignon G	Ritzel Linkes	
3	22120105/1	2	Corona	Ring Gear	Couronne	Kranz	
4	22600092/0	1	Prot. Ruote Sx	Protection, L Wheel	Protection Roue G	Schütz, Linkes	
5	12608600/0	2	Seeger	Seeger	Seeger	Seeger	
6	19216035/0	2	Cuscinetto	Bearing	Coussinet	Lager	
7	22753000/0	2	Spina	Pin	Goupille	Stift	
8	81003095/0	1	Gruppo Trazione	Gear Box	Groupe Traction	Antrieb	
9	22450437/0	1	Molla	Spring	Ressort	Feder	
10	35063902/0	1	Cinghia Z 29.5	Belt Z 29.5	Courroie Z 29.5	Riemen Z 29.5	
11	22600093/0	1	Prot. Ruote Dx	Protection, R Wheel	Protection Roue D	Schütz, Rechtes	
12	22570110/1	1	Pignone Dx	Pinion R	Pignon D	Ritzel Rechtes	

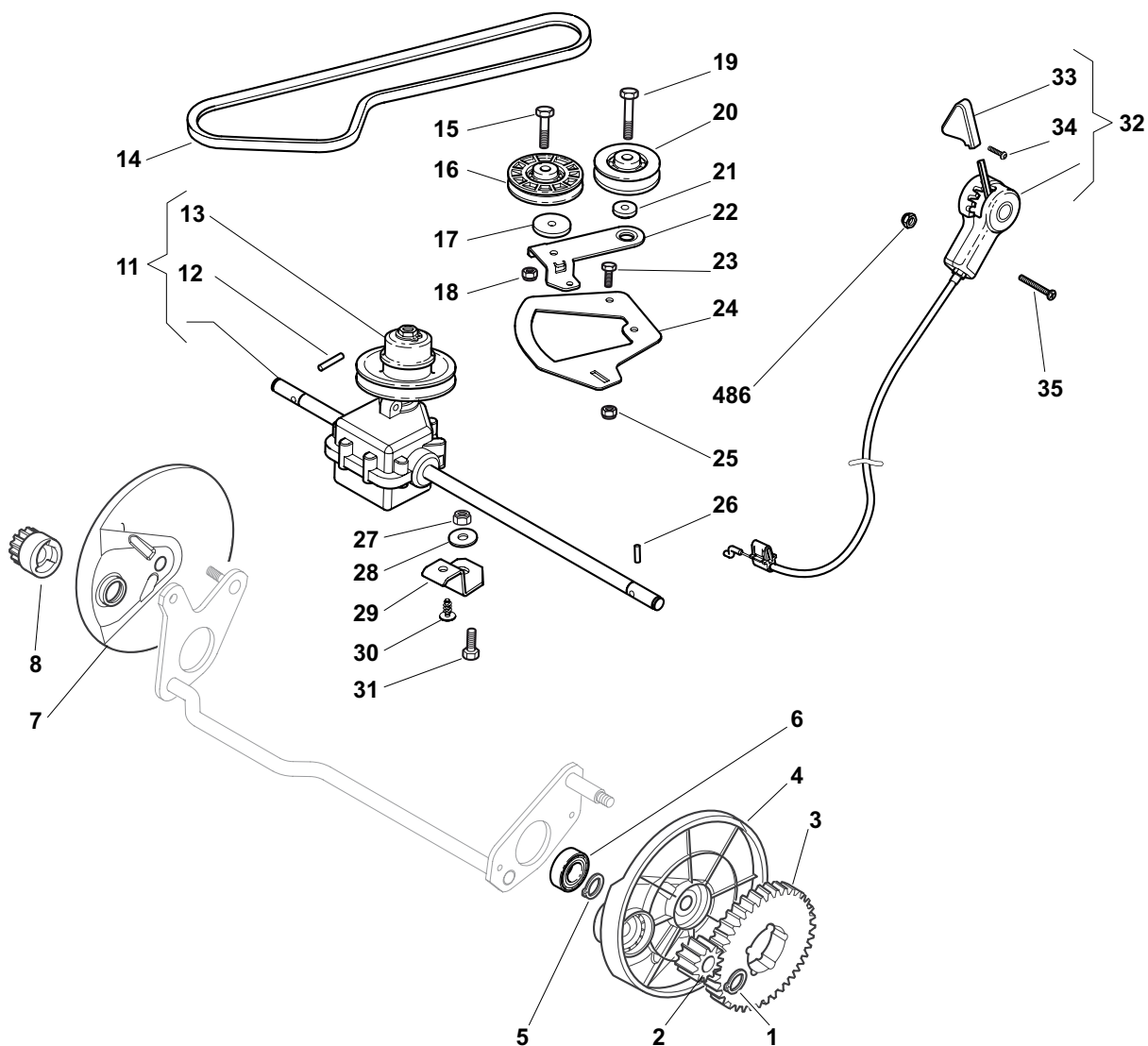
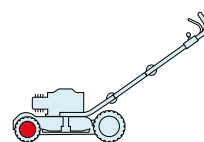
# MCS 504

TR

TR-E

TR 4S

TR-E 4S



POS.	CODE	Q.TY	DESCRIZIONE	DESCRIPTION	DESCRIPTION	BESCHREIBUNG	REMARKS
1	12608600/0	2	Seeger	Seeger	Seeger	Seeger	
2	22570120/1	1	Pignone Sx	Pinion L	Pignon G	Ritzel Linkes	
3	22120105/1	2	Corona	Ring Gear	Couronne	Kranz	
4	22600092/0	1	Prot. Ruote Sx	Protection, L Wheel	Protection Roue G	Schütz, Linkes	
5	12608600/0	2	Seeger	Seeger	Seeger	Seeger	
6	19216035/0	2	Cuscinetto	Bearing	Coussinet	Lager	
7	22600093/0	1	Prot. Ruote Dx	Protection, R Wheel	Protection Roue D	Schütz, Rechtes	
8	22570110/1	1	Pignone Dx	Pinion R	Pignon D	Ritzel Rechtes	
11	181003098/1	1	Gruppo Trazione	Gear Box	Groupe Traction	Antrieb	
12	12645700/0	1	Spina	Pin	Goupille	Stift	
13	122601925/0	1	Puleggia	Pulley	Poulie	Riemenscheibe	
14	35064010/0	1	Cinghia Zpx 812	Belt Zpx 812	Courroie Zpx 812	Riemen Zpx 812	
15	12674701/0	1	Vite	Screw	Vis	Schraube	
16	22601914/0	1	Puleggia	Pulley	Poulie	Riemenscheibe	
17	22680009/0	1	Rosetta	Washer	Rondelle	Scheibe	
18	12154510/0	1	Dado	Nut	Ecrou	Mutter	

POS.	CODE	Q.TY	DESCRIZIONE	DESCRIPTION	DESCRIPTION	BESCHREIBUNG	REMARKS
19	12689500/0	1	Vite	Screw	Vis	Schraube	
20	22601915/0	1	Puleggia	Pulley	Poulie	Riemenscheibe	
21	22671656/0	1	Distanziale	Spacer	Entretoise	Distanzring	
22	22320007/0	1	Leva	Lever	Levier	Hebel	
23	12791011/0	1	Vite	Screw	Vis	Schraube	
24	22806629/0	1	Supporto	Support	Support	Halter	
25	12154510/0	2	Dado	Nut	Ecrou	Mutter	
26	22753000/0	2	Spina	Pin	Goupille	Stift	
27	12155000/0	1	Dado	Nut	Ecrou	Mutter	
28	12523060/0	1	Rosetta	Washer	Rondelle	Scheibe	
29	22551655/0	1	Supporto	Support	Support	Halter	
30	12728704/0	1	Vite	Screw	Vis	Schraube	
31	12793102/0	1	Vite	Screw	Vis	Schraube	
32	81007112/0	1	Cavo Comando Marce	Cable, Speed Drive Control	Cable, Comm. Change- ment Vitesse	Kabel, Gängeschaltun	
33	22399809/0	1	Manopolina	Knob	Poignée	Griff	
34	12728300/0	1	Vite	Screw	Vis	Schraube	
35	12727787/0	2	Vite	Screw	Vis	Schraube	
36	12154510/0	2	Dado	Nut	Ecrou	Mutter	

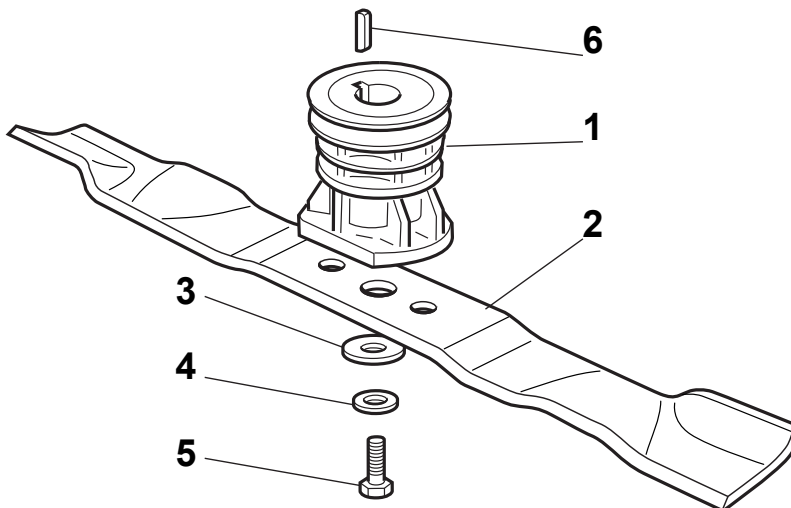
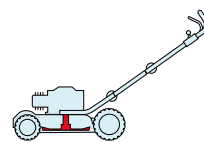
# MCS 504

TR

TR-E

TR 4S

TR-E 4S



POS.	CODE	Q.TY	DESCRIZIONE	DESCRIPTION	DESCRIPTION	BESCHREIBUNG	REMARKS
1	122465607/3	1	Mozzo Con Puleggia, Albero Motore Ø 22.2	Hub With Pulley, Crankshaft Ø 22.2	Moyeu Avec Poulie, Arbre Moteur Ø 22.2	Nabe Mit Scheibe, Motorwelle Ø 22.2	
1	122465608/2	1	Mozzo Con Puleggia, Albero Motore Ø 25	Hub With Pulley, Crankshaft Ø 25	Moyeu Avec Poulie, Arbre Moteur Ø 25	Nabe Mit Scheibe, Motorwelle Ø 25	
2	81004146/0	1	Coltello Standard	Blade Standard	Lame Standard	Messer Standard	
3	22160400/0	1	Disco Elastico	Elastic Washer	Rondelle Elastique	Elastischescheibe	
4	12523080/0	1	Rosetta	Washer	Rondelle	Scheibe	
5	12735698/0	1	Vite	Screw	Vis	Schraube	
6	12139100/0	1	Linguetta, Albero Motore Ø 22.2	Feather, Crankshaft Ø 22.2	Clavette, Arbre Moteur Ø 22.2	Keil, Motorwelle Ø 22.2	
6	12139150/0	1	Linguetta, Albero Motore Ø 25	Feather, Crankshaft Ø 25	Clavette, Arbre Moteur Ø 25	Keil, Motorwelle Ø 25	



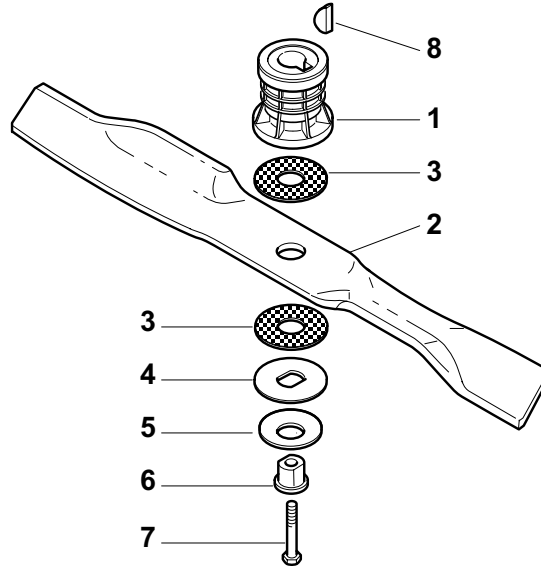
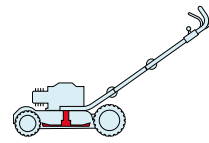
# MCS 504

TR

TR-E

TR 4S

TR-E 4S



POS.	CODE	Q.TY	DESCRIZIONE	DESCRIPTION	DESCRIPTION	BESCHREIBUNG	REMARKS
1	22465611/0	1	Mozzo Con Puleggia, Albero Motore Ø 22.2	Hub With Pulley, Crankshaft Ø 22.2	Moyeu Avec Poulie, Arbre Moteur Ø 22.2	Nabe Mit Scheibe, Motorwelle Ø 22.2	
1	122465612/1	1	Mozzo Con Puleggia, Albero Motore Ø 25	Hub With Pulley, Crankshaft Ø 25	Moyeu Avec Poulie, Arbre Moteur Ø 25	Nabe Mit Scheibe, Motorwelle Ø 25	
2	81004146/0	1	Coltello Alettato	Blade Winged	Lame Ailetteé	Messer Flügel	
3	22672110/1	2	Rondella Frizione	Clutch Washer	Rondelle Friction	Kupplungscheibe	
4	22672105/0	1	Rosetta	Washer	Rondelle	Scheibe	
5	12508120/0	1	Molla A Tazza	Cupped Spring	Ressort	Teller Feder	
6	22041940/0	1	Bussola Frizione	Clutch Bush	Douille Friction	Kupplungsscheibe	
7	12736850/0	1	Vite	Screw	Vis	Schraube	
8	12139100/0	1	Linguetta, Albero Motore Ø 22.2	Feather, Crankshaft Ø 22.2	Clavette, Arbre Moteur Ø 22.2	Keil, Motorwelle Ø 22.2	
8	12139150/0	1	Linguetta, Albero Motore Ø 25	Feather, Crankshaft Ø 25	Clavette, Arbre Moteur Ø 25	Keil, Motorwelle Ø 25	