

Genuine Spare Parts

Catalogo delle parti di ricambio
Spare parts catalogue
Catalogue des pieces de rechange
Ersatzteilkatalog

2010

- Use GLOBAL GARDEN PRODUCT Genuine Spare Parts specified in the parts list for repair and/or replacement.
- The contents described in the parts list may change due to improvement.
- The drawings of the spare parts are only indicative and might not represent the part in question exactly.
- The indications "right" - "left" - "front" - "rear" refer to the position of the operator when using the machine.
- When placing orders of parts for repair and/or replacement, make sure that the illustrated parts list is the one applying to the machine's year of manufacture, as shown on the identification plate attached to the machine.

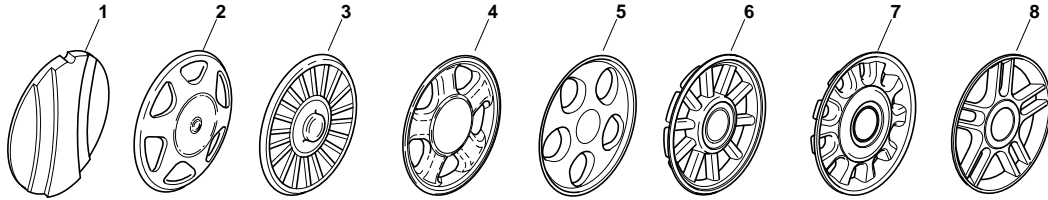
COPYRIGHT by GLOBAL GARDEN PRODUCTS

All rights reserved. No part of this material may be reproduced or transmitted, in any form or by any means, electronic or mechanical, including photocopying, recording or by any information storage and retrieval system, without permission in writing from GLOBAL GARDEN PRODUCTS.



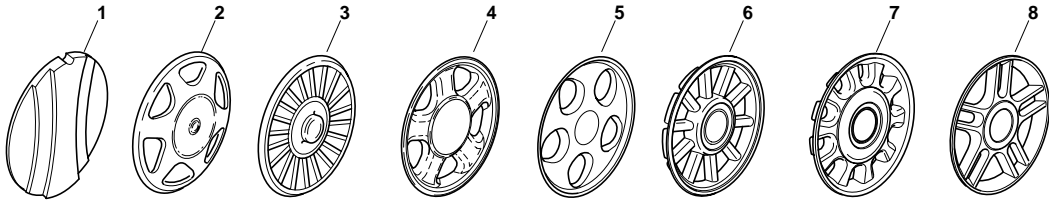
GLOBAL GARDEN PRODUCTS

ENCLOSURE 1

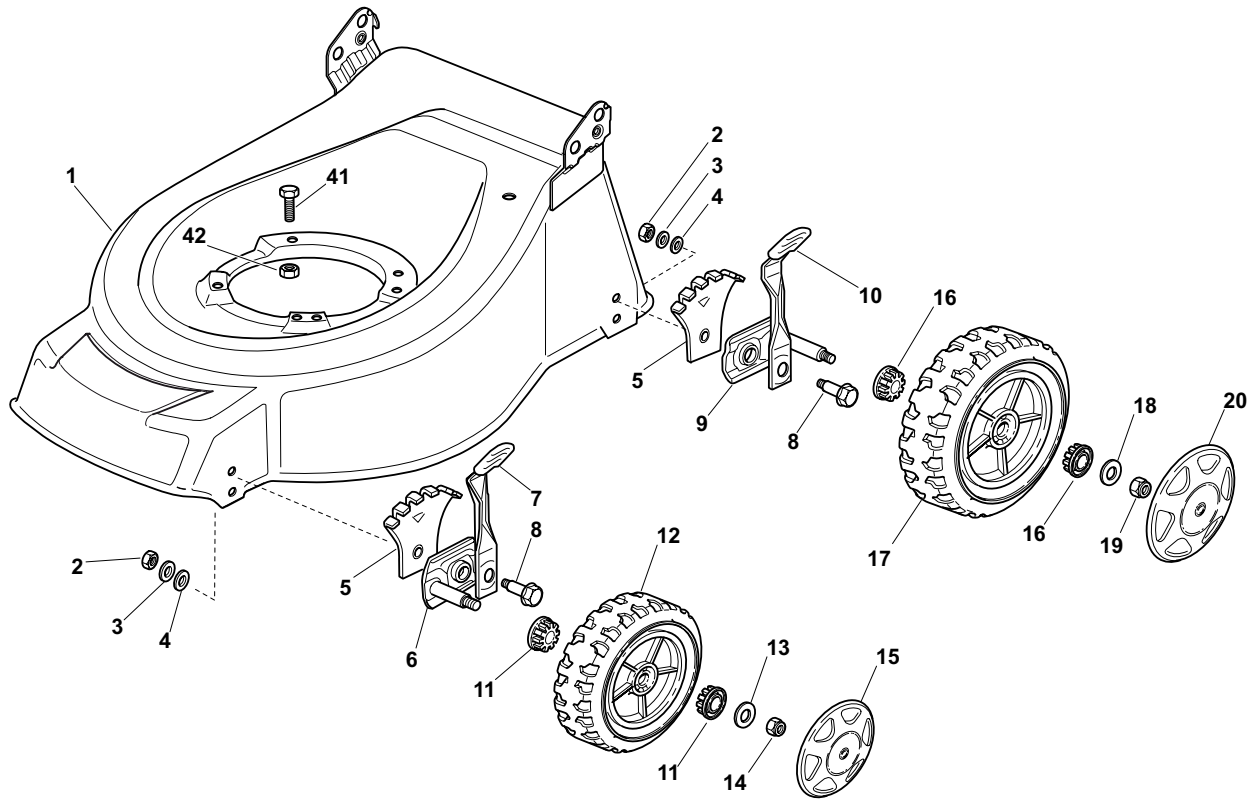
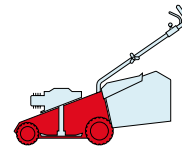


| POS. | CODE | Q.TY | DESCRIZIONE | DESCRIPTION | DESCRIPTION | BESCHREIBUNG | REMARKS |
|------|------------|------|-------------------|----------------|-------------------|----------------|---------|
| 1 | 22110252/1 | | Coprimozzo Bianco | Hub Cap White | Couvre-Moyeu | Radkappe Weiße | |
| 1 | 22110254/1 | | Coprimozzo Giallo | Hub Cap Yellow | Couvre-Moyeu | Radkappe Gelbe | |
| 1 | 22110255/1 | | Coprimozzo Rosso | Hub Cap Red | Couvre-Moyeu | Radkappe Rote | |
| 2 | 22110344/0 | | Coprimozzo Bianco | Hub Cap White | Couvre-Moyeu | Radkappe Weiße | |
| 2 | 22110395/0 | | Coprimozzo Grigio | Hub Cap Grey | Couvre-Moyeu Gris | Radkappe Grau | |
| 3 | 22110347/0 | | Coprimozzo Grigio | Hub Cap Grey | Couvre-Moyeu Gris | Radkappe Grau | |
| 4 | 22110381/0 | | Coprimozzo Grigio | Hub Cap Grey | Couvre-Moyeu Gris | Radkappe Grau | |
| 5 | 22110416/0 | | Coprimozzo Grigio | Hub Cap Grey | Couvre-Moyeu Gris | Radkappe Grau | |
| 6 | 22110495/0 | | Coprimozzo Grigio | Hub Cap Grey | Couvre-Moyeu Gris | Radkappe Grau | |
| 7 | 22110493/0 | | Coprimozzo Grigio | Hub Cap Grey | Couvre-Moyeu Gris | Radkappe Grau | |
| 8 | 22110491/0 | | Coprimozzo Grigio | Hub Cap Grey | Couvre-Moyeu Gris | Radkappe Grau | |

ENCLOSURE 2



| POS. | CODE | Q.TY | DESCRIZIONE | DESCRIPTION | DESCRIPTION | BESCHREIBUNG | REMARKS |
|------|------------|------|--------------------|----------------|-------------------|----------------|---------|
| 1 | 22110251/0 | | Coprismozzo Bianco | Hub Cap White | Couvre-Moyeu | Radkappe Weiße | |
| 1 | 22110253/0 | | Coprismozzo Giallo | Hub Cap Yellow | Couvre-Moyeu | Radkappe Gelbe | |
| 1 | 22110256/0 | | Coprismozzo Rosso | Hub Cap Red | Couvre-Moyeu | Radkappe Rote | |
| 2 | 22110313/0 | | Coprismozzo Bianco | Hub Cap White | Couvre-Moyeu | Radkappe Weiße | |
| 2 | 22110314/0 | | Coprismozzo Grigio | Hub Cap Grey | Couvre-Moyeu Gris | Radkappe Grau | |
| 3 | 22110348/0 | | Coprismozzo Grigio | Hub Cap Grey | Couvre-Moyeu Gris | Radkappe Grau | |
| 4 | 22110382/0 | | Coprismozzo Grigio | Hub Cap Grey | Couvre-Moyeu Gris | Radkappe Grau | |
| 5 | 22110417/0 | | Coprismozzo Grigio | Hub Cap Grey | Couvre-Moyeu Gris | Radkappe Grau | |
| 6 | 22110496/0 | | Coprismozzo Grigio | Hub Cap Grey | Couvre-Moyeu Gris | Radkappe Grau | |
| 7 | 22110494/0 | | Coprismozzo Grigio | Hub Cap Grey | Couvre-Moyeu Gris | Radkappe Grau | |
| 8 | 22110492/0 | | Coprismozzo Grigio | Hub Cap Grey | Couvre-Moyeu Gris | Radkappe Grau | |

MG**MGL****484****534**

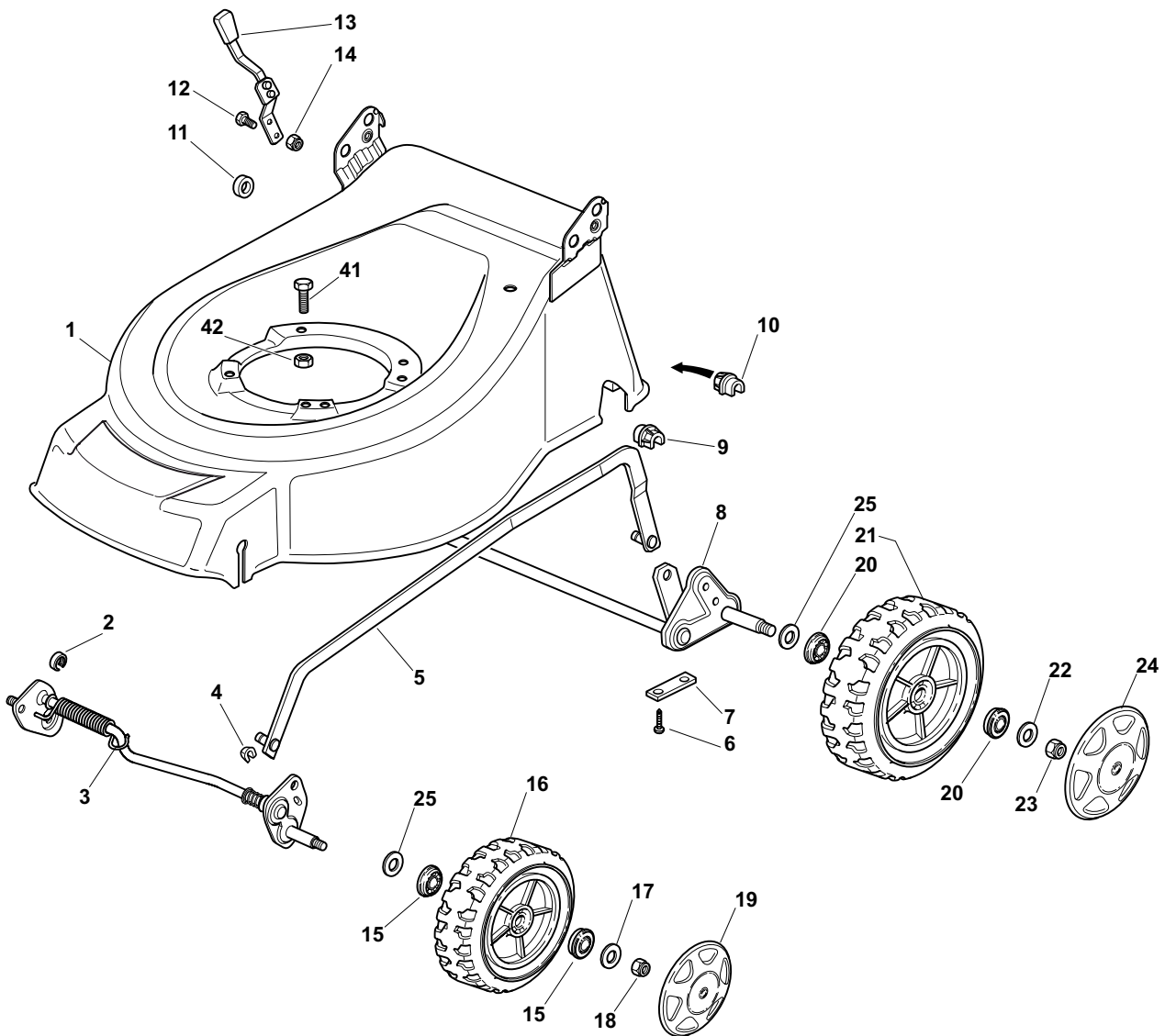
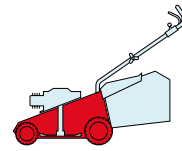
| POS. | CODE | Q.TY | DESCRIZIONE | DESCRIPTION | DESCRIPTION | BESCHREIBUNG | REMARKS |
|------|-------------|------|-----------------------------|---------------------------|-------------------------|-------------------------|-------------------|
| 1 | 381003670/0 | 1 | Chassis Rosso | Deck Red | Châssis Rouge | Gehäuse Rot | 484 |
| 2 | 12293200/0 | 4 | Dado | Nut | Ecrou | Mutter | |
| 3 | 12583500/0 | 4 | Grower | Grower | Grower | Federring | |
| 4 | 12523070/0 | 4 | Rosetta | Washer | Rondelle | Scheibe | |
| 5 | 22735547/0 | 4 | Settore Regolazione Altezza | Sector, Height Adjustment | Secteur Reglage Hauteur | Sektor, Höheverstellung | |
| 6 | 81005082/0 | 2 | Supporto Ruota | Support, Wheel | Support Roue | Halter, Rad | |
| 7 | 81003285/1 | 2 | Leva Regolazione Altezza | Lever, Height Adjustment | Levier, Reglage Hauteur | Hebel, Höheverstellung | |
| 8 | 22519811/0 | 4 | Perno | Pin | Pivot | Bolzen | |
| 9 | 81005084/0 | 2 | Supporto Ruota | Support, Wheel | Support Roue | Halter, Rad | |
| 10 | 81003286/0 | 2 | Leva Regolazione Altezza | Lever, Height Adjustment | Levier, Reglage Hauteur | Hebel, Höheverstellung | |
| 11 | 22034508/0 | 4 | Bussola | Bush | Douille | Buchse | |
| 12 | 81007351/0 | 2 | Ruota Ø 170 | Wheel Ø 170 | Roue Ø 170 | Rad Ø 170 | |
| 13 | 12523060/0 | 2 | Rosetta | Washer | Rondelle | Scheibe | |
| 14 | 12155000/0 | 2 | Dado | Nut | Ecrou | Mutter | |
| 15 | - | 2 | Coprimezzo | Hub Cap | Couvre-Moyeu | Radkappe | (See Enclosure 1) |
| 16 | 22034508/0 | 4 | Bussola | Bush | Douille | Buchse | |
| 17 | 81007343/0 | 2 | Ruota Ø 210 | Wheel Ø 210 | Roue Ø 210 | Rad Ø 210 | |
| 18 | 12523060/0 | 2 | Rosetta | Washer | Rondelle | Scheibe | |
| 19 | 12155000/0 | 2 | Dado | Nut | Ecrou | Mutter | |
| 20 | - | 2 | Coprimezzo | Hub Cap | Couvre-Moyeu | Radkappe | (See Enclosure 2) |
| 41 | 12691800/0 | 0/1 | Vite | Screw | Vis | Schraube | |
| 41 | 12793701/0 | 3/2 | Vite | Screw | Vis | Schraube | |
| 42 | 12155000/0 | 0/1 | Dado | Nut | Ecrou | Mutter | |
| 42 | 12293201/0 | 3/2 | Dado | Nut | Ecrou | Mutter | |

MG

MGL

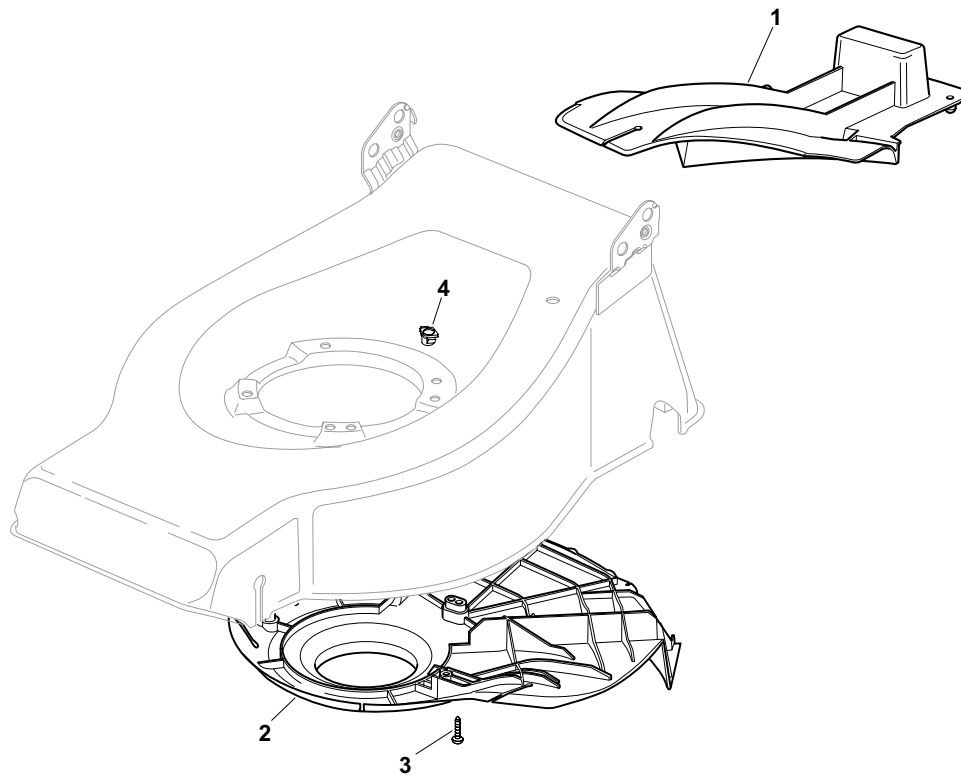
484

534

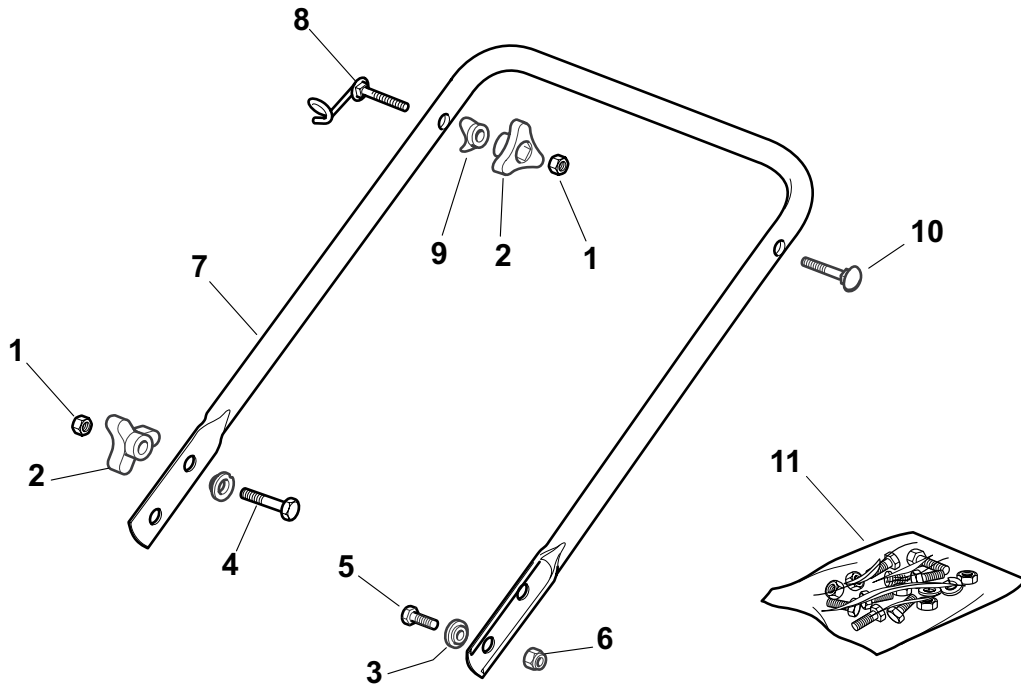
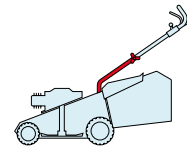


| POS. | CODE | Q.TY | DESCRIZIONE | DESCRIPTION | DESCRIPTION | BESCHREIBUNG | REMARKS |
|------|-------------|------|-----------------------------|------------------------|-------------------------------|--------------------------|---------|
| 1 | 381002929/0 | 1 | Chassis Verde | Deck Green | Châssis Vert | Gehäuse Grün | 484 |
| 1 | 381003671/1 | 1 | Chassis Rosso | Deck Red | Châssis Rouge | Gehäuse Rot | 534 |
| 2 | 22171002/0 | 1 | Distanziale | Spacer | Entretoise | Distanzring | |
| 3 | 81000141/1 | 1 | Asse Ruote Anteriori | Axle, Front Wheels | Axe Roues Avant | Achse, Vorderrad | 484 |
| 3 | 81000143/1 | 1 | Asse Ruote Anteriori | Axle, Front Wheels | Axe Roues Avant | Achse, Vorderrad | 534 |
| 4 | 112436051/0 | 2 | Piastrina | Plate | Plaquette | Plättchen | |
| 5 | 381002020/0 | 1 | Asta Comando Regol. Altezza | Rod, Height Adjustment | Tige Commande Reglage Hauteur | Stange, Höhenverstellung | 484 |
| 5 | 381002021/0 | 1 | Asta Comando Regol. Altezza | Rod, Height Adjustment | Tige Commande Reglage Hauteur | Stange, Höhenverstellung | 534 |
| 6 | 12731350/0 | 4 | Vite | Screw | Vis | Schraube | |
| 7 | 22545142/0 | 2 | Piastrina | Plate | Plaquette | Platte | |
| 8 | 81001278/0 | 1 | Asse Ruote Posteriori | Axle, Rear Wheels | Axe Roues Arriere | Achse, Hinterrad | |
| 9 | 22038403/0 | 1 | Bronzina Sx | L Bush | Douille G | Linke Buchse | |
| 10 | 22038402/0 | 1 | Bronzina Dx | R Bush | Douille D | Rechte Buchse | |
| 11 | 22170800/0 | 1 | Distanziale | Spacer | Entretoise | Distanzring | |

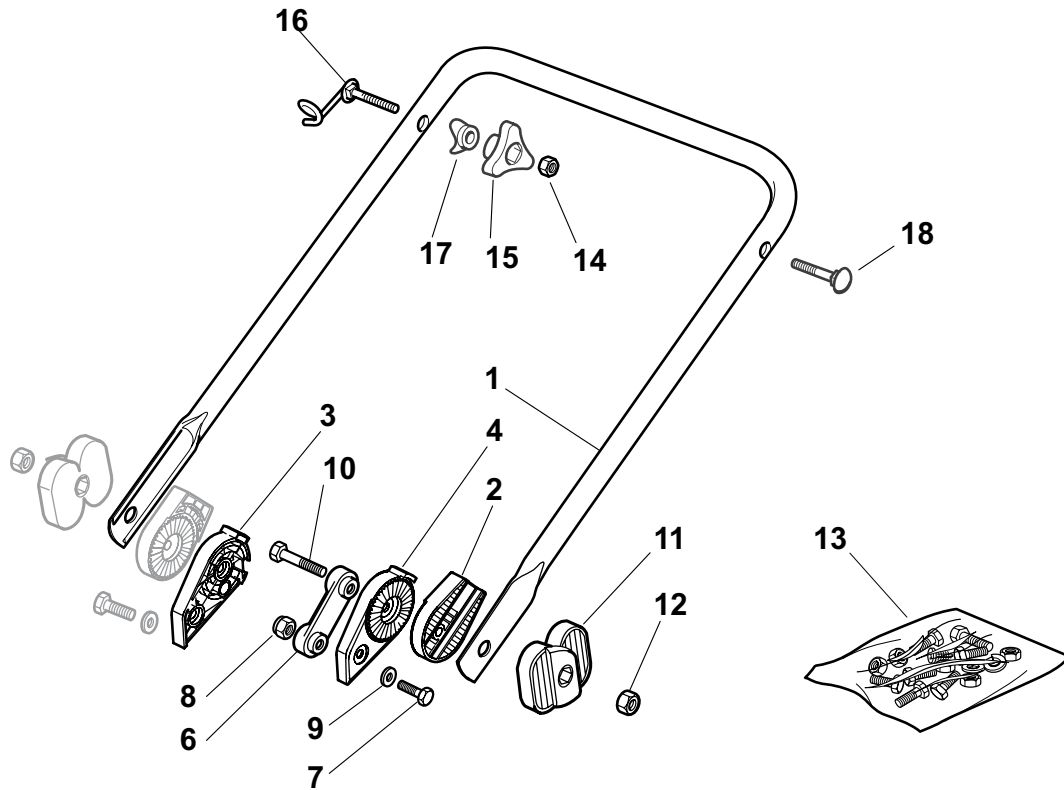
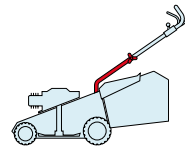
| POS. | CODE | Q.TY | DESCRIZIONE | DESCRIPTION | DESCRIPTION | BESCHREIBUNG | REMARKS |
|------|------------|------|--------------------------|--------------------------|-------------------------|-------------------------|-------------------|
| 12 | 12789000/0 | 2 | Vite | Screw | Vis | Schraube | |
| 13 | 81003283/1 | 1 | Leva Regolazione Altezza | Lever, Height Adjustment | Levier, Reglage Hauteur | Hebel, Höheverstellung | |
| 14 | 12154320/0 | 2 | Dado | Nut | Ecrou | Mutter | |
| 15 | 22122200/0 | 4 | Cuscinetto | Bearing | Coussinet | Lager | |
| 16 | 81007351/0 | 2 | Ruota Scolpita Ø 170 | Wheel, Knobbly Ø 170 | Roue Sculptee Ø 170 | Rad M. Stollenpr. Ø 170 | |
| 17 | 12521350/0 | 2 | Rosetta | Washer | Rondelle | Scheibe | |
| 18 | 12155000/0 | 2 | Dado | Nut | Ecrou | Mutter | |
| 19 | - | 2 | Coprizzo | Hub Cap | Couvre-Moyeu | Radkappe | (See Enclosure 1) |
| 20 | 22122200/0 | 4 | Cuscinetto | Bearing | Coussinet | Lager | |
| 21 | 81007343/0 | 2 | Ruota Scolpita Ø 210 | Wheel, Knobbly Ø 210 | Roue Sculptee Ø 210 | Rad M. Stollenpr. Ø 210 | |
| 22 | 12521350/0 | 2 | Rosetta | Washer | Rondelle | Scheibe | |
| 23 | 12155000/0 | 2 | Dado | Nut | Ecrou | Mutter | |
| 24 | - | 2 | Coprizzo | Hub Cap | Couvre-Moyeu | Radkappe | (See Enclosure 2) |
| 25 | 12530150/0 | 4 | Rosetta Elastica | Elastic Washer | Rondelle Elastique | Elastische Scheibe | |
| 41 | 12691800/0 | 0/1 | Vite | Screw | Vis | Schraube | |
| 41 | 12793701/0 | 3/2 | Vite | Screw | Vis | Schraube | |
| 42 | 12155000/0 | 0/1 | Dado | Nut | Ecrou | Mutter | |
| 42 | 12293201/0 | 3/2 | Dado | Nut | Ecrou | Mutter | |

MG**MGL****484****534**

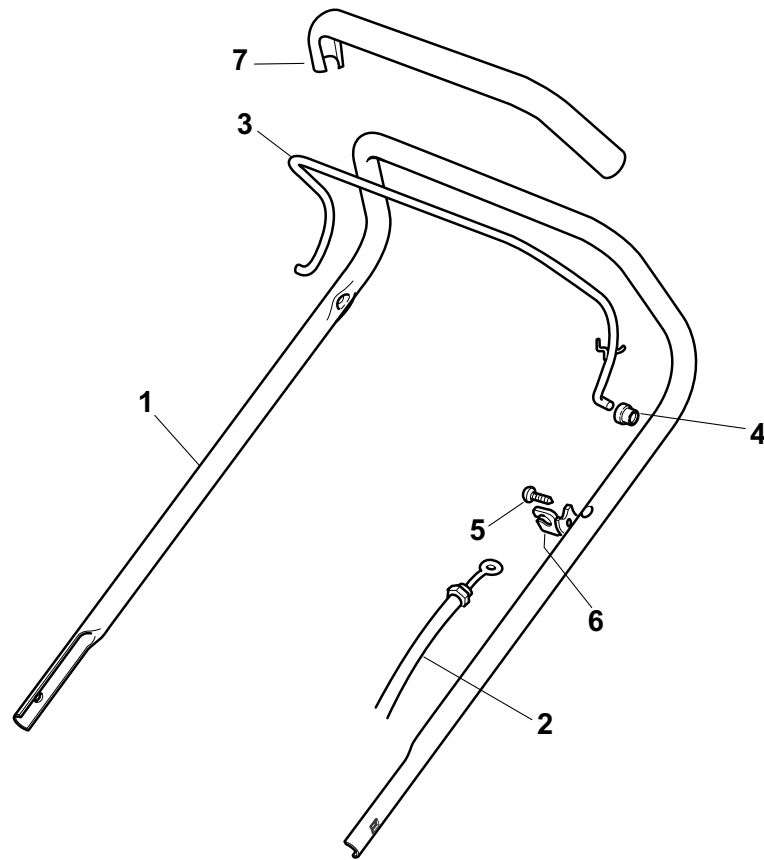
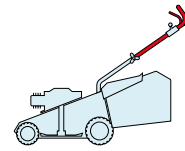
| POS. | CODE | Q.TY | DESCRIZIONE | DESCRIPTION | DESCRIPTION | BESCHREIBUNG | REMARKS |
|------|-------------|------|------------------|---------------|-------------|---------------|---------|
| 1 | 22140223/0 | 1 | Deflettore | Deflector | Deflecteur | Deflektor | 484 |
| 1 | 22140222/0 | 1 | Deflettore | Deflector | Deflecteur | Deflektor | 534 |
| 2 | 22060198/0 | 1 | Carter | Protection | Protection | Schutz | 484 |
| 2 | 322060197/2 | 1 | Carter | Protection | Protection | Schutz | 534 |
| 3 | 12728530/0 | 3 | Vite | Screw | Vis | Schraube | |
| 4 | 22291150/0 | 1 | Inserto In Gomma | Rubber Insert | Insert De | Gummi Einsatz | |

MG**MGL****484****534**

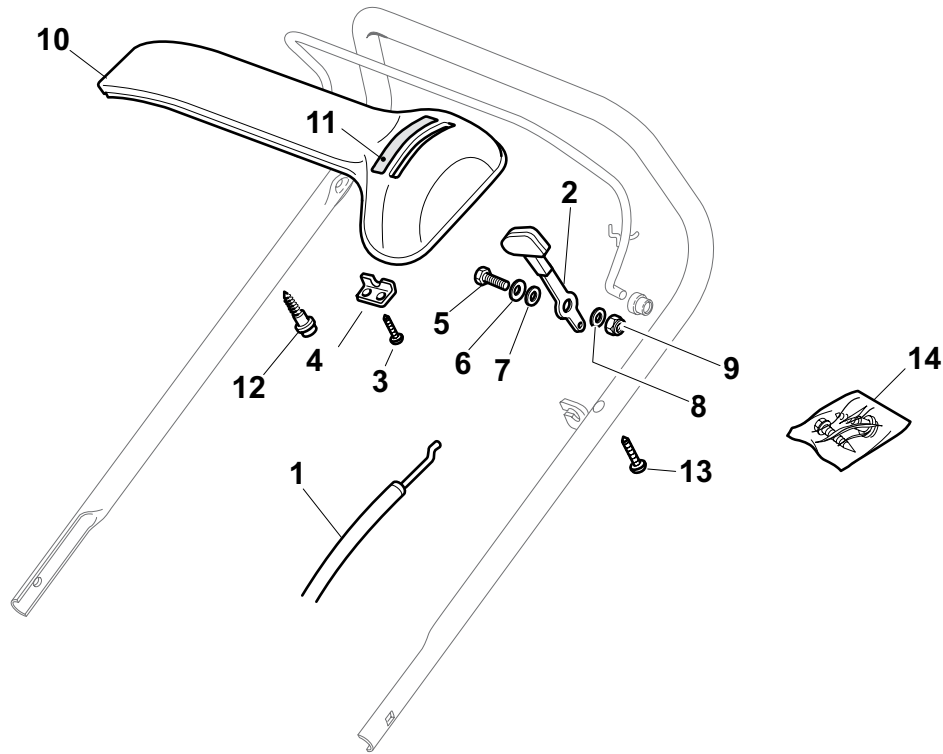
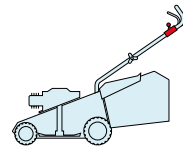
| POS. | CODE | Q.TY | DESCRIZIONE | DESCRIPTION | DESCRIPTION | BESCHREIBUNG | REMARKS |
|------|------------|------|-------------------|--------------------|------------------------------|-----------------|---------|
| 1 | 12293200/0 | 4 | Dado | Nut | Ecrou | Mutter | |
| 2 | 22399900/0 | 4 | Manopolina | Knob | Poignée | Griff | |
| 3 | 22041955/0 | 4 | Bussola | Bush | Douille | Buchse | |
| 4 | 12793700/0 | 2 | Vite | Screw | Vis | Schraube | |
| 5 | 12792610/0 | 2 | Vite | Screw | Vis | Schraube | |
| 6 | 12155000/0 | 2 | Dado | Nut | Ecrou | Mutter | |
| 7 | 81006512/0 | 1 | Manico, Parte Inf | Handle, Lower Part | Mancheron, Partie Inférieure | Holm, Unterteil | |
| 8 | 81003801/1 | 1 | Molla Guida | Spring | Ressort | Feder | |
| 9 | 22680006/1 | 2 | Rosetta | Washer | Rondelle | Scheibe | |
| 10 | 12819201/0 | 1 | Vite | Screw | Vis | Schraube | |
| 11 | 81008614/3 | 1 | Dotazione Viteria | Outfit, Screws | Dotation Visserie | Satz, Schrauben | |

MG**MGL****484****534**

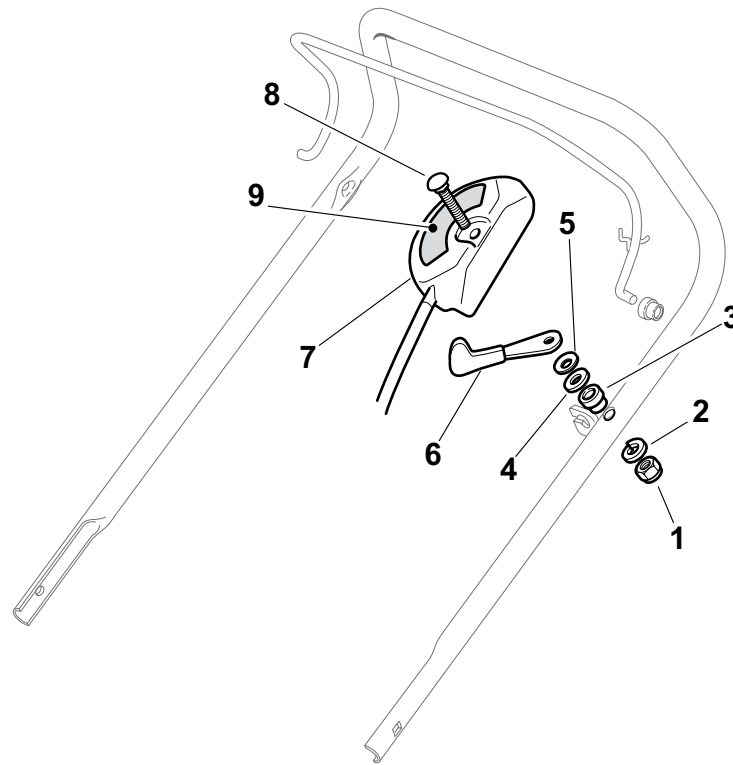
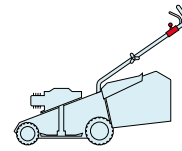
| POS. | CODE | Q.TY | DESCRIZIONE | DESCRIPTION | DESCRIPTION | BESCHREIBUNG | REMARKS |
|------|------------|------|---------------------|---------------------|------------------------------|------------------|---------|
| 1 | 81006532/0 | 1 | Manico, Parte Inf | Handle, Lower Part | Mancheron, Partie Inférieure | Holm, Unterteil | |
| 2 | 22785081/1 | 2 | Supporto Esterno | Support, External | Support Externe | Halter, Äußere | |
| 3 | 22785082/0 | 1 | Supporto Interno Dx | Support, R Internal | Support Interne D | Halter, Innere R | |
| 4 | 22785083/1 | 1 | Supporto Interno Sx | Support, L Internal | Support Interne G | Halter, Innere L | |
| 6 | 22551575/0 | 2 | Piastrina Interna | Plate, Inside | Plaquette Interne | Platte, Innere | |
| 7 | 12793301/0 | 2 | Vite | Screw | Vis | Schraube | |
| 8 | 12155000/0 | 2 | Dado | Nut | Ecrou | Mutter | |
| 9 | 12521350/0 | 2 | Rosetta | Washer | Rondelle | Scheibe | |
| 10 | 12691810/0 | 2 | Vite | Screw | Vis | Schraube | |
| 11 | 22399803/0 | 2 | Manopolina | Knob | Poignée | Griff | |
| 12 | 12293202/0 | 2 | Dado | Nut | Ecrou | Mutter | |
| 13 | 81008623/1 | 1 | Dotazione Viteria | Outfit, Screws | Dotation Visserie | Satz, Schrauben | |
| 14 | 12293200/0 | 2 | Dado | Nut | Ecrou | Mutter | |
| 15 | 22399900/0 | 2 | Manopolina | Knob | Poignée | Griff | |
| 16 | 81003801/1 | 1 | Molla Guida | Spring | Ressort | Feder | |
| 17 | 22680006/1 | 2 | Rosetta | Washer | Rondelle | Scheibe | |
| 18 | 12819201/0 | 1 | Vite | Screw | Vis | Schraube | |

MG**MGL****484****534**

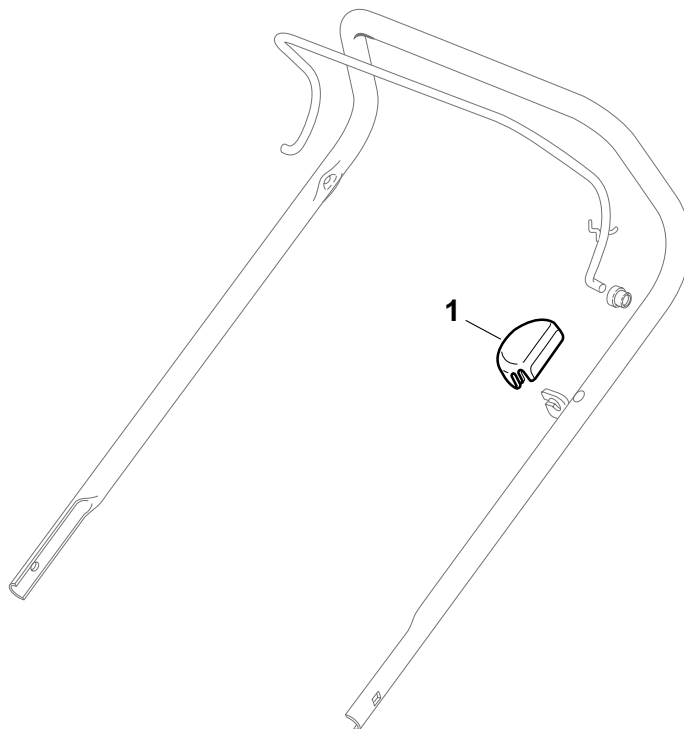
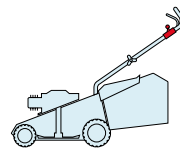
| POS. | CODE | Q.TY | DESCRIZIONE | DESCRIPTION | DESCRIPTION | BESCHREIBUNG | REMARKS |
|------|-------------|------|-------------------------|----------------------------|------------------------------|--------------------|-----------------------------|
| 1 | 81007018/1 | 1 | Manico, Parte Sup | Handle, Upper Part | Mancheron, Partie Supérieure | Holm, Oberteil | |
| 2 | 81000611/0 | 1 | Cavo Freno Motore | Cable, Thread Engine Brake | Cable Frein Moteur | Kabel, Motorbremse | (Ggp 150cc) |
| 2 | 81000625/0 | 1 | Cavo Freno Motore | Cable, Thread Engine Brake | Cable Frein Moteur | Kabel, Motorbremse | 484 (B&S 450-500 Series) |
| 2 | 81000757/0 | 1 | Cavo Freno Motore | Cable, Thread Engine Brake | Cable Frein Moteur | Kabel, Motorbremse | 484 (B&S 675 Series Es) |
| 2 | 81000757/0 | 1 | Cavo Freno Motore | Cable, Thread Engine Brake | Cable Frein Moteur | Kabel, Motorbremse | 484 (B&S 625-675 Series) |
| 2 | 81000757/0 | 1 | Cavo Freno Motore | Cable, Thread Engine Brake | Cable Frein Moteur | Kabel, Motorbremse | 484 (Ggp 140cc) |
| 2 | 81000757/0 | 1 | Cavo Freno Motore | Cable, Thread Engine Brake | Cable Frein Moteur | Kabel, Motorbremse | 484 (Ggp 160cc) |
| 2 | 81000641/0 | 1 | Cavo Freno Motore | Cable, Thread Engine Brake | Cable Frein Moteur | Kabel, Motorbremse | 484 (Honda Gcv 135-160) |
| 2 | 81000643/0 | 1 | Cavo Freno Motore | Cable, Thread Engine Brake | Cable Frein Moteur | Kabel, Motorbremse | 534 (B&S 500 Series) |
| 2 | 81000756/0 | 1 | Cavo Freno Motore | Cable, Thread Engine Brake | Cable Frein Moteur | Kabel, Motorbremse | 534 (B&S 675 Series Es) |
| 2 | 81000756/0 | 1 | Cavo Freno Motore | Cable, Thread Engine Brake | Cable Frein Moteur | Kabel, Motorbremse | 534 (B&S 625-675 Series) |
| 2 | 181030009/0 | 1 | Cavo Freno Motore | Cable, Thread Engine Brake | Cable Frein Moteur | Kabel, Motorbremse | 534 (B&S 700 Series) |
| 2 | 81000756/0 | 1 | Cavo Freno Motore | Cable, Thread Engine Brake | Cable Frein Moteur | Kabel, Motorbremse | 534 (Ggp 140cc) |
| 2 | 81000756/0 | 1 | Cavo Freno Motore | Cable, Thread Engine Brake | Cable Frein Moteur | Kabel, Motorbremse | 534 (Ggp 160cc) |
| 2 | 81000756/0 | 1 | Cavo Freno Motore | Cable, Thread Engine Brake | Cable Frein Moteur | Kabel, Motorbremse | 534 (Ggp 196cc) |
| 2 | 81000640/0 | 1 | Cavo Freno Motore | Cable, Thread Engine Brake | Cable Frein Moteur | Kabel, Motorbremse | 534 (Honda Gcv 135-160-190) |
| 3 | 81003291/3 | 1 | Leva Freno Motore | Lever, Engine Brake | Levier Frein Moteur | Hebel, Motorbremse | |
| 4 | 22041966/0 | 2 | Bussola | Bush | Douille | Buchse | |
| 5 | 12728518/0 | 1 | Vite | Screw | Vis | Schraube | |
| 6 | 22806612/0 | 1 | Supporto | Support | Support | Halter | |
| 7 | 22291050/0 | 1 | Impugnatura Manico Nera | Handgrip Black | Poignée Noire | Handgriff Schwarz | |

MG**MGL****484****534**

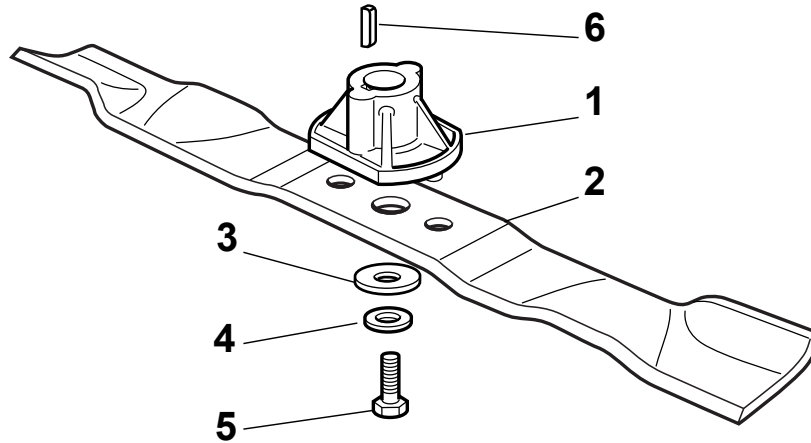
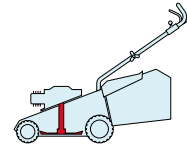
| POS. | CODE | Q.TY | DESCRIZIONE | DESCRIPTION | DESCRIPTION | BESCHREIBUNG | REMARKS |
|------|-------------|------|-----------------------------|---------------------------|---------------------------|-------------------------|---|
| 1 | 81007160/0 | 1 | Cavo Acceleratore | Throttle Cable | Cable, Accelérateur | Gashebel Kabel | |
| 2 | 81007280/2 | 1 | Leva, Acceleratore | Lever, Throttle | Levier, | Hebel, Beshleuniger | (B&S 625-675-700 Series - Honda - Ggp 140-160-196 cc) |
| 2 | 81007221/0 | 1 | Leva, Acceleratore | Lever, Throttle | Levier, | Hebel, Beshleuniger | (B&S 450-500 Series - Ggp 150 cc) |
| 3 | 12735105/0 | 2 | Vite | Screw | Vis | Schraube | |
| 4 | 22981467/0 | 1 | Piastrina | Plate | Plaquette | Platte | |
| 5 | 12791500/0 | 1 | Vite | Screw | Vis | Schraube | |
| 6 | 12530060/0 | 1 | Rosetta Elastica | Elastic Washer | Rondelle Elastique | Elastische Scheibe | |
| 7 | 12523040/0 | 1 | Rosetta | Washer | Rondelle | Scheibe | |
| 8 | 12523040/0 | 1 | Rosetta | Washer | Rondelle | Scheibe | |
| 9 | 12154510/0 | 1 | Dado | Nut | Ecrou | Mutter | |
| 10 | 22120152/0 | 1 | Cruscotto Giallo | Dash Board Yellow | Console Jaune | Konsole Gelbe | |
| 10 | 22120154/0 | 1 | Cruscotto Rosso | Dash Board Red | Console Rouge | Konsole Rote | |
| 10 | 22120158/0 | 1 | Cruscotto Nero | Dash Board Black | Console Noire | Konsole Schwarze | |
| 11 | 114356744/1 | 1 | Etichetta | Label | Etiquette | Etikette | (B&S) |
| 11 | 114356906/1 | 1 | Etichetta | Label | Etiquette | Etikette | (B&S 700 series DOV) |
| 11 | 114356743/1 | 1 | Etichetta | Label | Etiquette | Etikette | (GGP) |
| 11 | 114356743/1 | 1 | Etichetta | Label | Etiquette | Etikette | (Honda) |
| 11 | 114357646/1 | 1 | Etichetta | Label | Etiquette | Etikette | (Honda GCV 160-190 Autochoke) |
| 12 | 22943006/0 | 1 | Vite | Screw | Vis | Schraube | |
| 13 | 12728460/0 | 1 | Vite | Screw | Vis | Schraube | |
| 14 | 81008609/0 | 1 | Dotazione Viteria Cruscotto | Outfit, Dash-Board Screws | Dotation Visserie Console | Satz, Konsole Schrauben | |

MG**MGL****484****534**

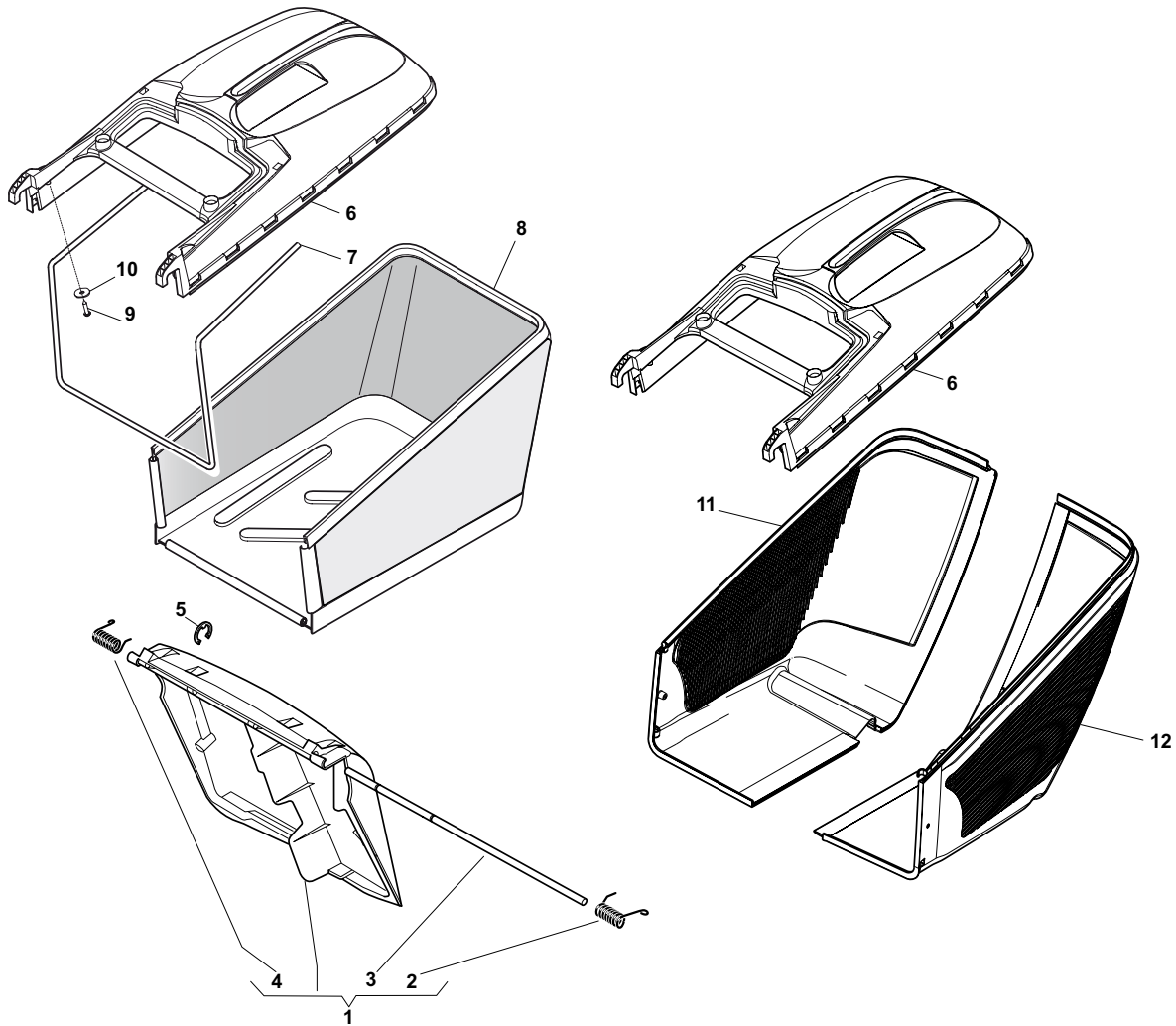
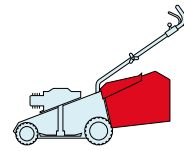
| POS. | CODE | Q.TY | DESCRIZIONE | DESCRIPTION | DESCRIPTION | BESCHREIBUNG | REMARKS |
|------|-------------|------|--------------------|-----------------|----------------------|---------------------|---|
| 1 | 12291000/0 | 1 | Dado | Nut | Ecrou | Mutter | |
| 2 | 12581500/0 | 1 | Grower | Grower | Grower | Federring | |
| 3 | 22171005/0 | 1 | Distanziale | Spacer | Entretoise | Distanzring | |
| 4 | 12521360/0 | 1 | Rosetta | Washer | Rondelle | Scheibe | |
| 5 | 12508100/0 | 1 | Rosetta Elastica | Spring Washer | Rondelle Elastique | Elastische Scheibe | |
| 6 | 81007279/1 | 1 | Leva, Acceleratore | Lever, Throttle | Levier, Accelérateur | Hebel, Beshleuniger | (B&S 625-675-700 Series - Honda - Ggp 140-160-196 cc) |
| 6 | 81007220/0 | 1 | Leva, Acceleratore | Lever, Throttle | Levier, Accelérateur | Hebel, Beshleuniger | (B&S 450-500 Series - Ggp 150 cc) |
| 7 | 81007080/0 | 1 | Cavo Acceleratore | Throttle Cable | Cable, Accelérateur | Gashebel Kabel | |
| 8 | 12815000/0 | 1 | Vite | Screw | Vis | Schraube | |
| 9 | 14356703/0 | 1 | Etichetta | Label | Etiquette | Etikette | (B&S) |
| 9 | 114356905/0 | 1 | Etichetta | Label | Etiquette | Etikette | (B&S 700 series DOV) |
| 9 | 14356702/0 | 1 | Etichetta | Label | Etiquette | Etikette | (GGP) |
| 9 | 114364264/0 | 1 | Etichetta | Label | Etiquette | Etikette | AVS (GGP 160-196) |
| 9 | 14356702/0 | 1 | Etichetta | Label | Etiquette | Etikette | (Honda) |
| 9 | 114356905/0 | 1 | Etichetta | Label | Etiquette | Etikette | (Honda GCV 160-190 Autochoke) |

MG**MGL****484****534**

| POS. | CODE | Q.TY | DESCRIZIONE | DESCRIPTION | DESCRIPTION | BESCHREIBUNG | REMARKS |
|------|------------|------|-------------|-------------|-------------|--------------|---------|
| 1 | 22601000/0 | 1 | Protezione | Protection | Protection | Schutz | |

MG**MGL****484****534**

| POS. | CODE | Q.TY | DESCRIZIONE | DESCRIPTION | DESCRIPTION | BESCHREIBUNG | REMARKS |
|------|-------------|------|---------------------------------|----------------------------|-------------------------------|---------------------------|---------|
| 1 | 22463012/2 | 1 | Mozzo, Albero Motore Ø 22.2 | Hub, Crankshaft Ø 22.2 | Moyeu, Arbre Moteur Ø 22.2 | Halter, Motorwelle Ø 22.2 | |
| 1 | 122463020/1 | 1 | Mozzo, Albero Motore Ø 25 | Hub, Crankshaft Ø 25 | Moyeu, Arbre Moteur Ø 25 | Halter, Motorwelle Ø 25 | |
| 2 | 81004341/3 | 1 | Coltello Standard | Blade Standard | Lame Standard | Messer Standard | 434 |
| 2 | 81004396/0 | 1 | Coltello Alettato | Blade Winged | Lame Ailetée | Messer Flügel | 434 |
| 2 | 81004346/3 | 1 | Coltello Standard | Blade Standard | Lame Standard | Messer Standard | 484 |
| 2 | 81004397/0 | 1 | Coltello Alettato | Blade Winged | Lame Ailetée | Messer Flügel | 484 |
| 2 | 81004381/1 | 1 | Coltello Standard | Blade Standard | Lame Standard | Messer Standard | 534 |
| 2 | 81004398/0 | 1 | Coltello Alettato | Blade Winged | Lame Ailetée | Messer Flügel | 534 |
| 3 | 22160400/0 | 1 | Disco Elastico | Elastic Washer | Rondelle Elastique | Elastischescheibe | |
| 4 | 12523080/0 | 1 | Rosetta | Washer | Rondelle | Scheibe | |
| 5 | 12735698/0 | 1 | Vite | Screw | Vis | Schraube | |
| 6 | 12139100/0 | 1 | Linguetta, Albero Motore Ø 22.2 | Feather, Crankshaft Ø 22.2 | Clavette, Arbre Moteur Ø 22.2 | Keil, Motorwelle Ø 22.2 | |
| 6 | 12139150/0 | 1 | Linguetta, Albero Motore Ø 25 | Feather, Crankshaft Ø 25 | Clavette, Arbre Moteur Ø 25 | Keil, Motorwelle Ø 25 | |

MG**MGL****484****534**

| POS. | CODE | Q.TY | DESCRIZIONE | DESCRIPTION | DESCRIPTION | BESCHREIBUNG | REMARKS |
|------|-------------|------|---------------------|--------------------|--------------------------|-------------------|---------|
| 1 | 381008021/2 | 1 | Parasassi | Stone-Guard | Pare-Pierres | Prallblech | |
| 2 | 22450420/1 | 1 | Molla Sx | L Spring | Ressort G | Linke Feder | |
| 3 | 22517906/1 | 1 | Perno | Pin | Pivot | Bolzen | |
| 4 | 22450410/1 | 1 | Molla Dx | R Spring | Ressort D | Rechte Feder | |
| 5 | 12000930/0 | 1 | Anello Elastico | Snap Ring | Anneau Ressort | Sprengring | |
| 6 | 22486101/0 | 1 | Sacco, Parte Sup | Grass-Box, Upper | Sac, Partie | Korb, Oberteil | |
| 7 | 22608525/0 | 1 | Rinforzo Inf | Stiffening Lower | Réinforcement Inf | Verstärkung | |
| 8 | 81002211/0 | 1 | Sacco, Tela | Box, Fabric | Sac, Toile | Sack, Tuck | |
| 9 | 12728680/0 | 2 | Vite | Screw | Vis | Schraube | |
| 10 | 12523050/0 | 2 | Rosetta | Washer | Rondelle | Scheibe | |
| 11 | 322486150/1 | 1 | Sacco, Parte Inf Dx | Grass-Box, R Lower | Sac, Partie Inferieure D | Korb, R Unterteil | |
| 12 | 322486151/1 | 1 | Sacco, Parte Inf Sx | Grass-Box, L Lower | Sac, Partie Inferieure G | Korb, L Unterteil | |