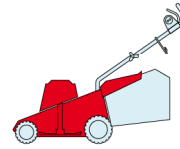
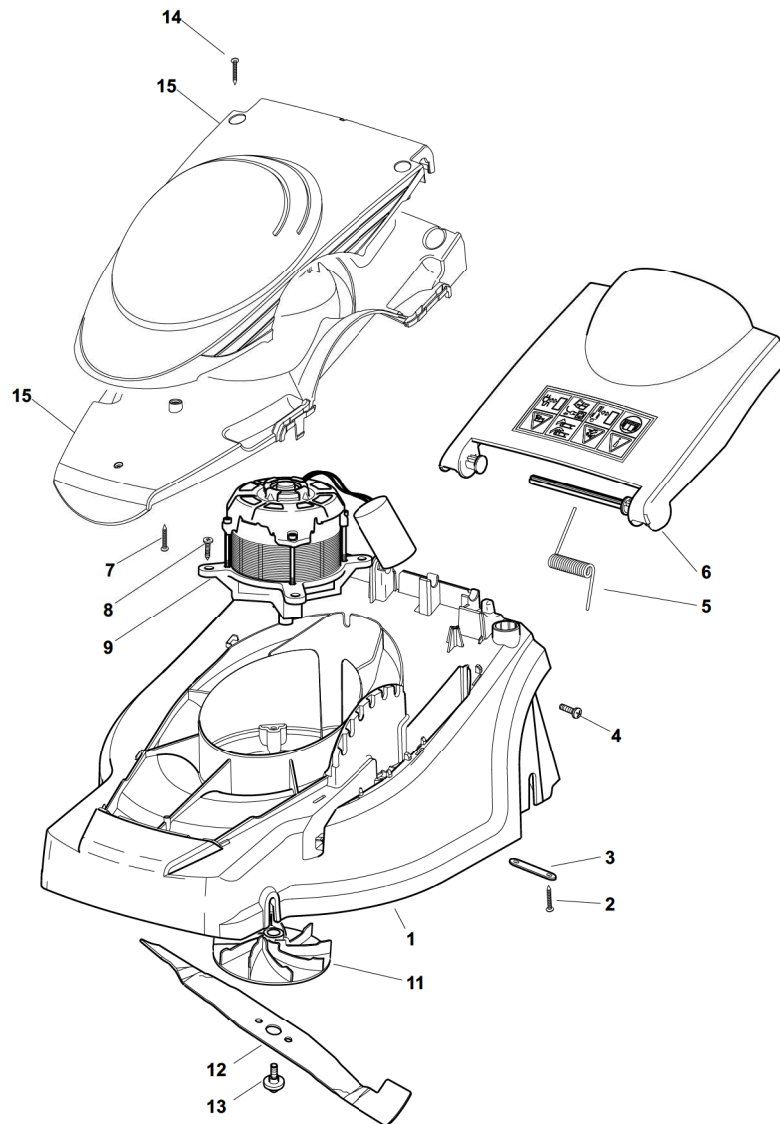


SPL 410

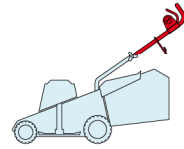


2009
E8001.0
1 / 1

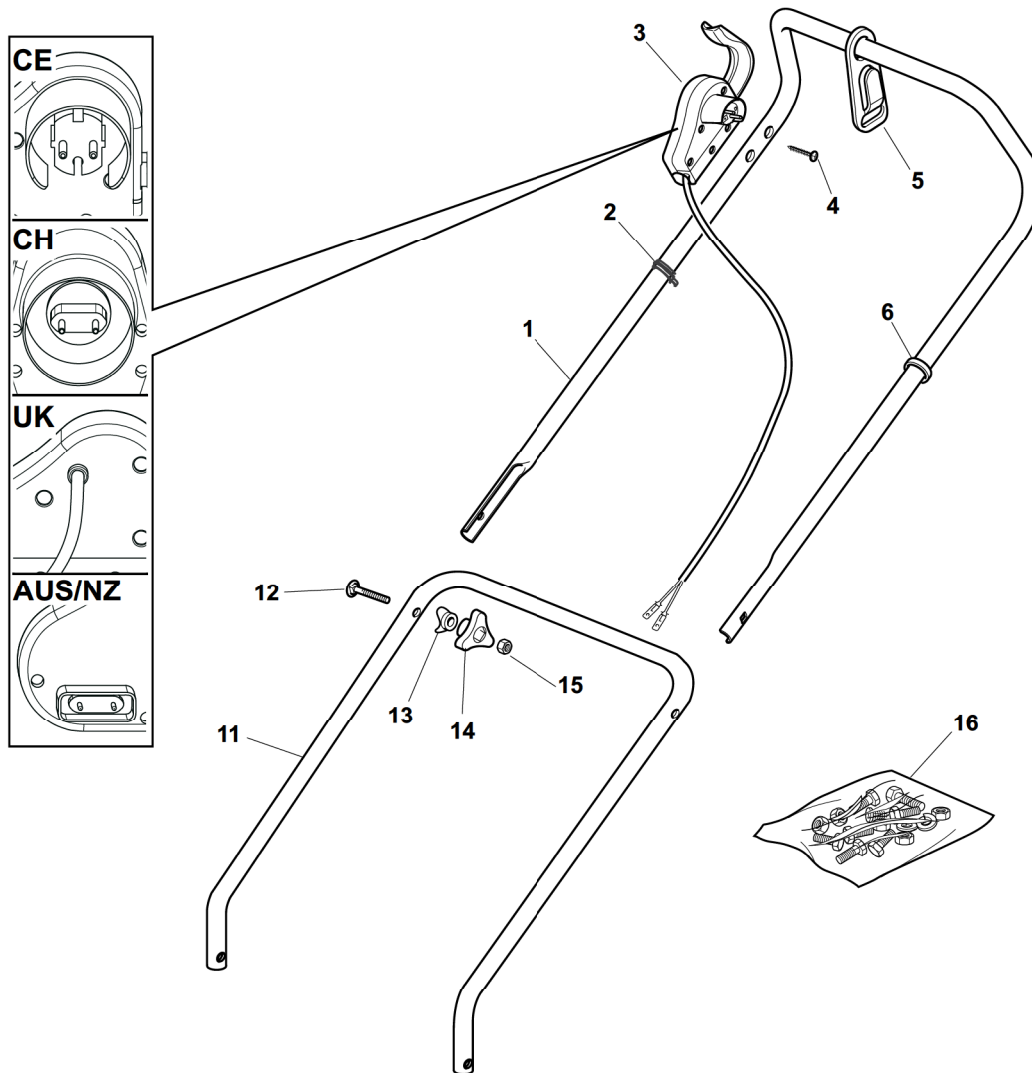


POS.	CODE	Q.TY	DESCRIZIONE	DESCRIPTION	DESCRIPTION	BESCHREIBUNG	REMARKS
1	322066733/0	1	Chassis Rosso	Deck Red	Châssis Rouge	Gehäuse Rot	
1	322066736/0	1	Chassis Giallo	Deck Yellow	Châssis Jaune	Gehäuse Gelb	Stiga
2	12728691/0	2	Vite	Screw	Vis	Schraube	
3	22608535/0	1	Piastrina	Plate	Plaquette	Plättchen	
4	12728450/0	2	Vite	Screw	Vis	Schraube	
5	22450423/0	1	Molla	Spring	Ressort	Feder	
6	322600157/1	1	Parasassi Grigio	Stone-Guard, Grey	Pare-Pierres, Gris	Prallblech, Grau	
7	12728691/0	1	Vite	Screw	Vis	Schraube	
8	12735410/0	4	Vite	Screw	Vis	Schraube	
9	118563670/0	1	Motore	Motor	Moteur	Motor	230-240V (1300W)
9	118563671/0	1	Motore	Motor	Moteur	Motor	230-240V (1500W)
9	118563667/0	1	Motore	Motor	Moteur	Motor	230-240V (1600W)
11	22465602/0	1	Mozzo	Hub	Moyeu	Halter	
12	81004145/0	1	Coltello	Blade	Lame	Messer	
13	81004352/0	1	Vite	Screw	Vis	Schraube	
14	12728685/0	2	Vite	Screw	Vis	Schraube	
15	-	1	Capottina	Cover	Capot	Haube	(See Enclosure 5)

SPL 410

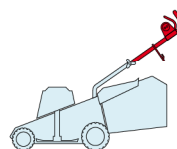


2009
E8002.0
1 / 1

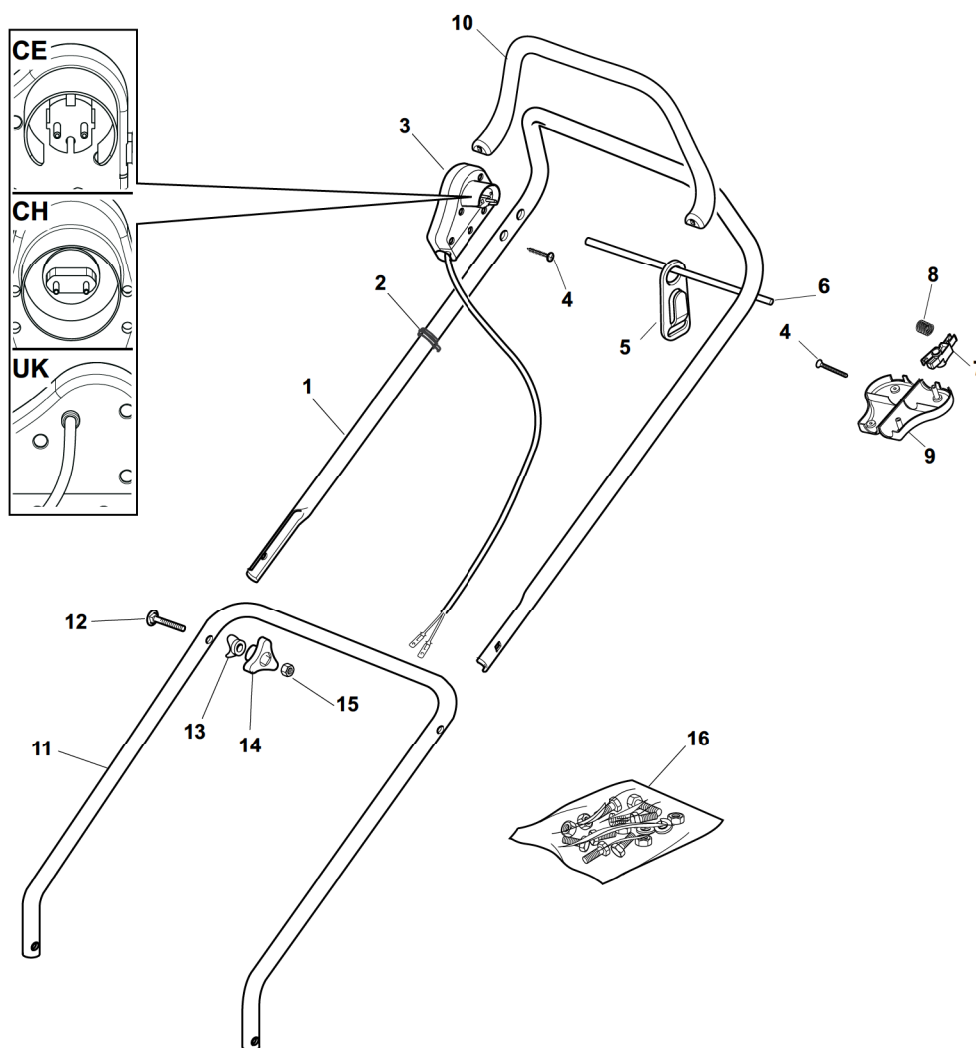


POS.	CODE	Q.TY	DESCRIZIONE	DESCRIPTION	DESCRIPTION	BESCHREIBUNG	REMARKS
1	81006571/0	1	Manico, Parte Sup	Handle, Upper Part	Mancheron, Partie Supérieure	Holm, Oberteil	
2	22192000/1	2	Fascetta	Anchor Clamp	Collier Ancrage	Bowdenzughalter	
3	81600500/1	1	Salvatore	Dead Hand Switch	Int. Main Morte	Tot Manschalter	CE
3	81600501/1	1	Salvatore	Dead Hand Switch	Int. Main Morte	Tot Manschalter	CH
3	81600502/1	1	Salvatore	Dead Hand Switch	Int. Main Morte	Tot Manschalter	UK
3	18710628/0	1	Salvatore	Dead Hand Switch	Int. Main Morte	Tot Manschalter	AUS/NZ
4	12728701/0	2	Vite	Screw	Vis	Schraube	
5	22195101/4	1	Fermacavo	Fairlead	Fixation Cable	Kabelbefestigung	
6	22192151/0	1	Fermacavo	Fairlead	Fixation Cable	Kabelbefestigung	
11	81006661/0	1	Manico Inferiore	Handle, Lower Part	Mancheron Inferiure	Holm, Unterteil	
12	12819201/0	2	Vite	Screw	Vis	Schraube	
14	22680006/1	2	Rosetta	Washer	Rondelle	Scheibe	
14	22399900/0	2	Manopolina	Knob	Poignée	Griff	
15	12293200/0	2	Dado	Nut	Ecrou	Mutter	
16	81008674/0	1	Dotazione Viteria	Outfit, Screws	Dotation Visserie	Satz, Schrauben	

SPL 410

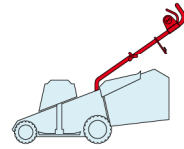


2009
E8003.0
1 / 1

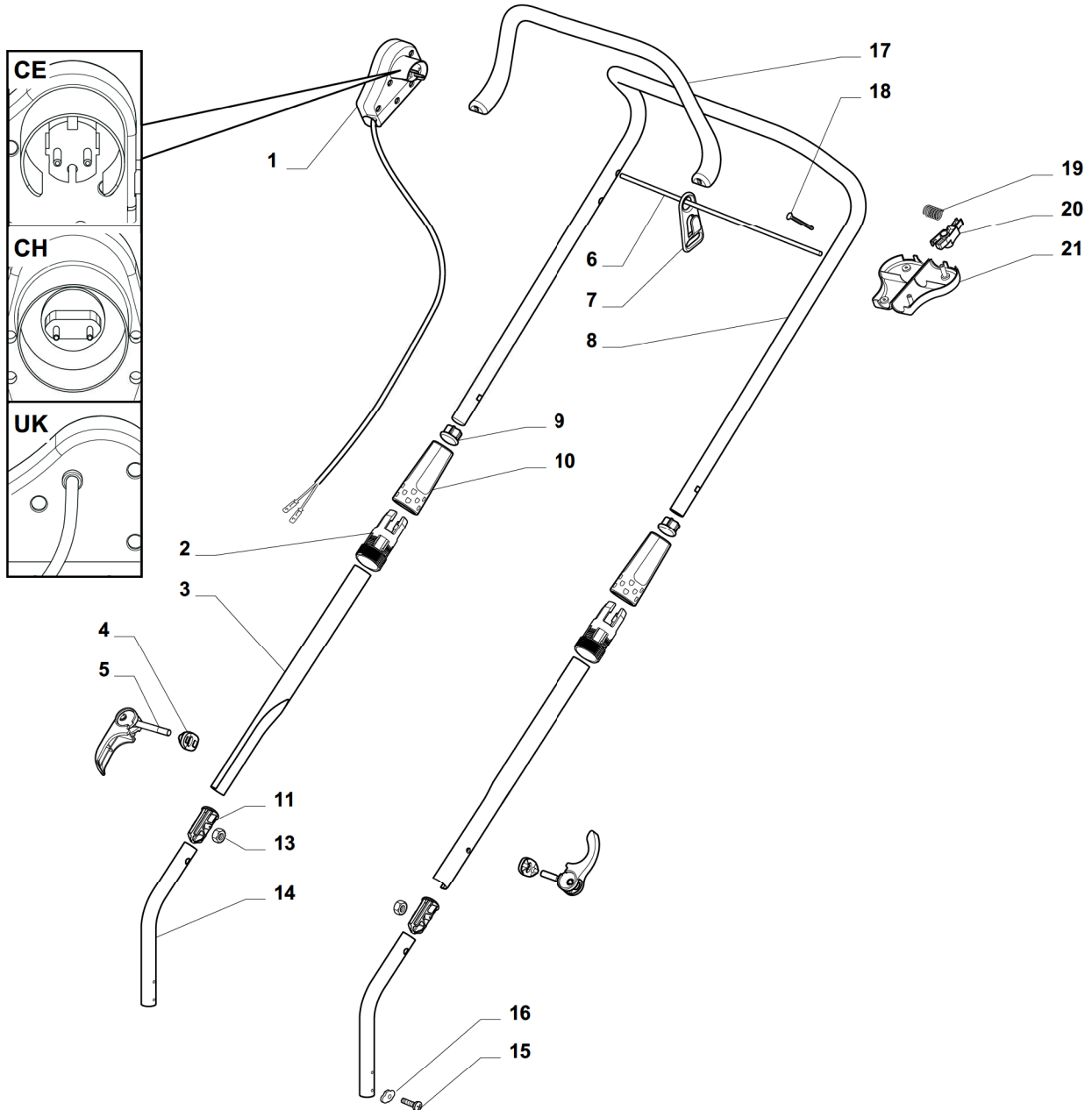


POS.	CODE	Q.TY	DESCRIZIONE	DESCRIPTION	DESCRIPTION	BESCHREIBUNG	REMARKS
1	81006571/0	1	Manico, Parte Sup	Handle, Upper Part	Mancheron, Partie Supérieure	Holm, Oberteil	
2	22192000/1	2	Fascetta	Anchor Clamp	Collier Ancre	Bowdenzughalter	
3	381600503/2	1	Salvatore	Dead Hand Switch	Int. Main Morte	Tot Manschalter	CE
3	381600505/2	1	Salvatore	Dead Hand Switch	Int. Main Morte	Tot Manschalter	UK
3	381600504/2	1	Salvatore	Dead Hand Switch	Int. Main Morte	Tot Manschalter	CH
4	12728701/0	4	Vite	Screw	Vis	Schraube	
5	22195101/4	1	Fermacavo	Fairlead	Fixation Cable	Kabelbefestigung	
6	22010252/0	1	Asta Aggancio Fermacavo	Rod, Fairlead Bearing	Tige Support Serrecable	Stange, Kabelhalter	
7	322230350/1	1	Fulcro	Fulcrum Pin	Point D'Appui	Gelenkpunkt	
8	22450115/0	1	Molla	Spring	Ressort	Feder	
9	22785144/0	1	Supporto	Support	Support	Halter	
10	322322880/1	1	Leva Freno Motore, Nero	Lever, Engine Brake	Levier Frein Moteur	Hebel, Motorbremse	
11	81006661/0	1	Manico Inferiore	Handle, Lower Part	Mancheron Inferiore	Holm, Unterteil	
12	12819201/0	2	Vite	Screw	Vis	Schraube	
14	22680006/1	2	Rosetta	Washer	Rondelle	Scheibe	
14	22399900/0	2	Manopolina	Knob	Poignée	Griff	
15	12293200/0	2	Dado	Nut	Ecrou	Mutter	
16	81008674/0	1	Dotazione Viteria	Outfit, Screws	Dotation Visserie	Satz, Schrauben	

SPL 410



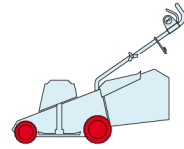
2009
E8004.0
1 / 2



POS.	CODE	Q.TY	DESCRIZIONE	DESCRIPTION	DESCRIPTION	BESCHREIBUNG	REMARKS
1	381600503/2	1	Salvatore	Dead Hand Switch	Int. Main Morte	Tot Manschalter	CE
1	381600505/2	1	Salvatore	Dead Hand Switch	Int. Main Morte	Tot Manschalter	UK
1	381600504/2	1	Salvatore	Dead Hand Switch	Int. Main Morte	Tot Manschalter	CH
2	322245063/0	2	Ghiera Interna	Ring Nut, Internal			
3	381006697/0	1	Manico, Parte Intermedia	Handle, Middle Part	Mancheron	Holm	
4	322680014/0	2	Rosetta	Washer	Rondelle	Scheibe	
5	381003252/0	2	Leva Blocc. Manico	Lever, Handle Blocking			
6	22010252/0	1	Asta Aggancio Fermacavo	Rod, Fairlead Bearing	Tige Support Serrecable	Stange, Kabelhalter	
7	22195101/4	1	Fermacavo	Fairlead	Fixation Cable	Kabelbefestigung	
8	381006695/0	1	Manico, Parte Sup	Handle, Upper Part	Mancheron, Partie Sup.	Holm, Oberteil	
9	22820066/1	2	Puntale	Cap	Bouchon	Gummistopfen	

POS.	CODE	Q.TY	DESCRIZIONE	DESCRIPTION	DESCRIPTION	BESCHREIBUNG	REMARKS
10	322245062/0	2	Ghiera Esterna	Ring Nut, External	Embout	Nutmutter	
11	322820079/0	2	Puntale	Cap	Bouchon	Gummistopfen	
13	12293200/0	2	Dado	Nut	Ecrou	Mutter	
14	381006693/0	1	Manico, Parte Inf.	Handle, Lower Part	Mancheron, Partie Inferieure	Holm, Unterteil	
15	12731600/1	2	Vite	Screw	Vis	Schraube	
16	22545135/0	2	Piastrina	Plate	Plaquette	Plättchen	
17	322322880/1	1	Leva Freno Motore, Nero	Lever, Engine Brake	Levier Frein Moteur	Hebel, Motorbremse	
18	12728701/0	4	Vite	Screw	Vis	Schraube	
19	22450115/0	1	Molla	Spring	Ressort	Feder	
20	322230350/1	1	Fulcro	Fulcrum Pin	Point D'Appui	Gelenkpunkt	
21	22785144/0	1	Supporto	Support	Support	Halter	

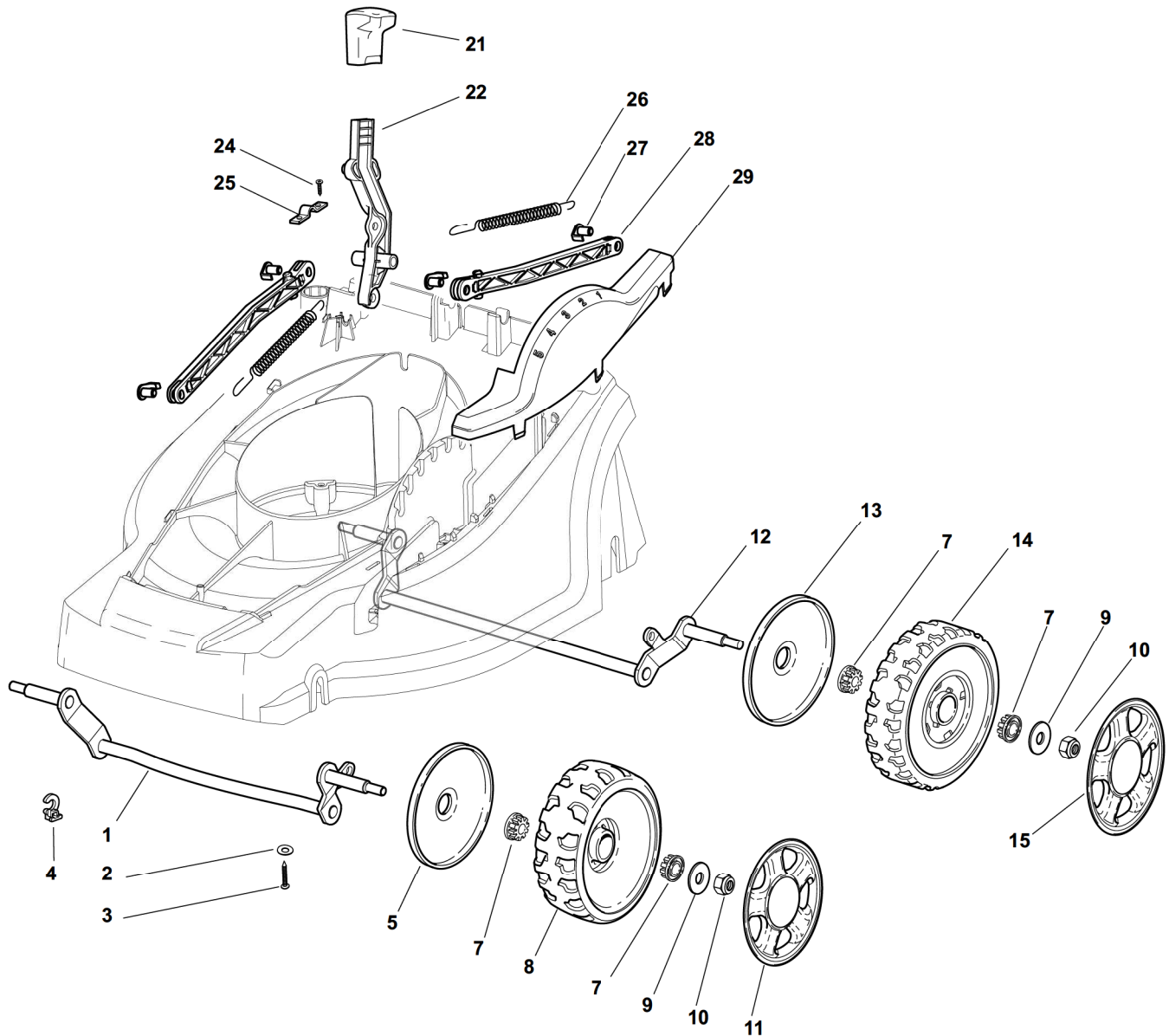
SPL 410



2009

E8005.0

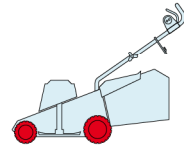
1 / 2



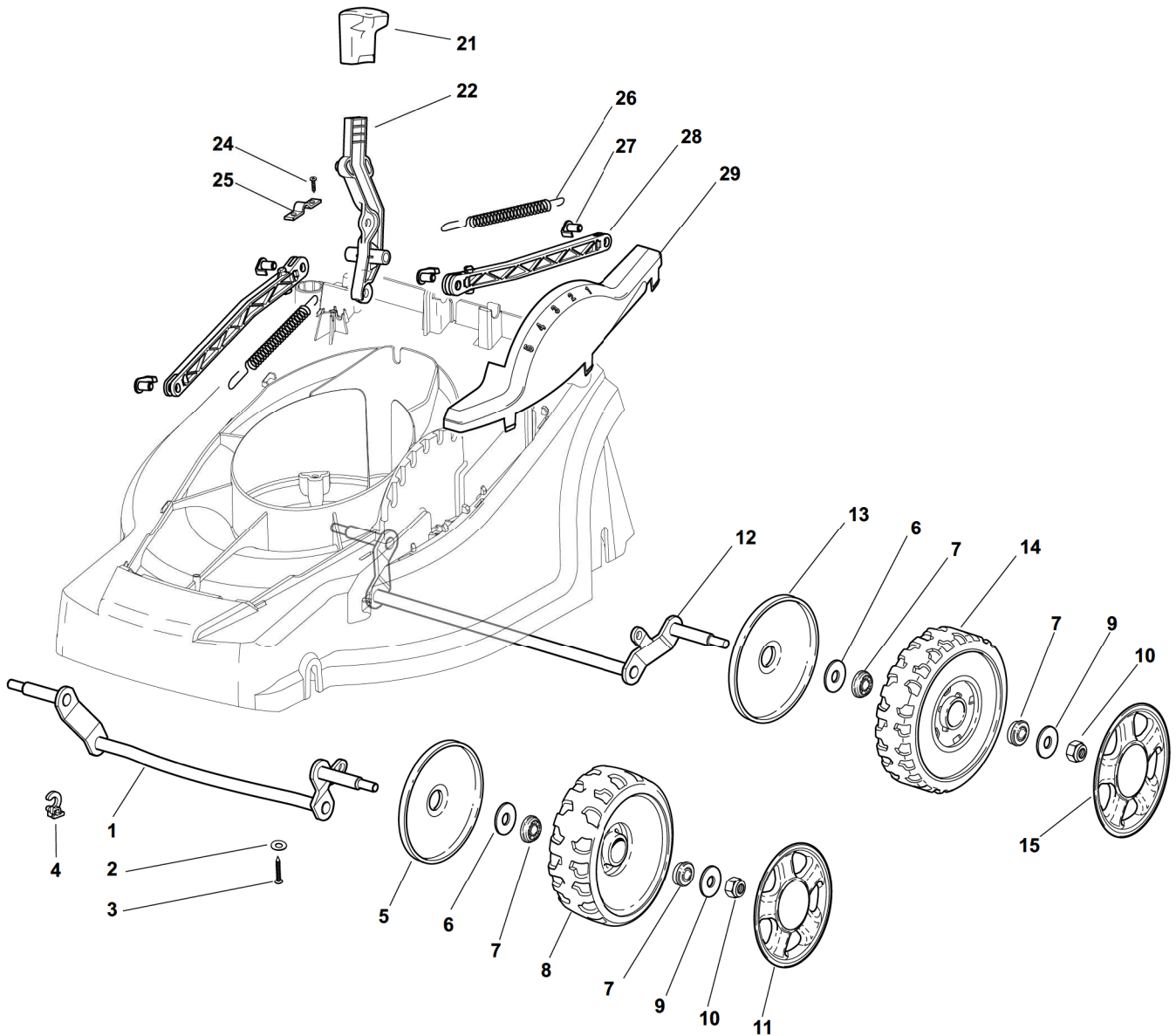
POS.	CODE	Q.TY	DESCRIZIONE	DESCRIPTION	DESCRIPTION	BESCHREIBUNG	REMARKS
1	81002837/0	1	Asse Ruote Anteriori	Axle, Front Wheels	Axe Roues Avant	Achse, Vorderrad	
2	12523050/0	4	Rosetta	Washer	Rondelle	Scheibe	
3	12728680/0	4	Vite	Screw	Vis	Schraube	
4	22170631/0	2	Distanziale	Spacer	Entretoise	Distanzring	
5	22600095/0	2	Prot. Ruote	Protection, Wheel	Protection Roue	Schütz, Räder	
7	22034508/0	8	Bussola	Bush	Douille	Buchse	
8	22686091/1	2	Ruota Ø 165	Wheel Ø 165	Roue Ø 165	Rad Ø 165	
9	12523060/0	4	Rosetta	Washer	Rondelle	Scheibe	
10	12155000/0	4	Dado	Nut	Ecrou	Mutter	
11	-	2	Coprimozzo	Hub Cap	Couvre-Moyeu	Radkappe	(See Enclosure 1)
12	81002839/0	1	Asse Ruote Posteriori	Axle, Rear Wheels	Axe Roues Arriere	Achse, Hinterrad	
13	22600131/0	2	Prot. Ruote	Protection, Wheel	Protection Roue	Schütz, Räder	
14	22686092/0	2	Ruota Ø 190	Wheel Ø 190	Roue Ø 190	Rad Ø 190	
15	-	2	Coprimozzo	Hub Cap	Couvre-Moyeu	Radkappe	(See Enclosure 2)

POS.	CODE	Q.TY	DESCRIZIONE	DESCRIPTION	DESCRIPTION	BESCHREIBUNG	REMARKS
21	22399818/0	1	Manopolina	Knob	Poignée	Griff	
22	322321535/0	1	Leva Regolazione Altezza	Lever, Height Adjustment	Levier Reglage Hauteur	Hebel, Höneverstellung	
24	12728691/0	2	Vite	Screw	Vis	Schraube	
25	25547049/0	1	Piastrina	Plate	Plaquette	Plättchen	
26	22450424/0	2	Molla	Spring	Ressort	Feder	
27	22524338/0	4	Perno	Pin	Pivot	Bolzen	
28	22869668/0	2	Tirante	Tie Rod	Tirant	Spannstange	
29	22109724/0	1	Carter Grigio	Cover, Grey	Couvre, Gris	Kappe, Grau	
29	22109731/0	1	Carter Nero	Cover, Grey	Couvre, Gris	Kappe, Schwarz	

SPL 410



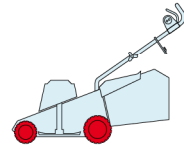
2009
E8006.0
1 / 2



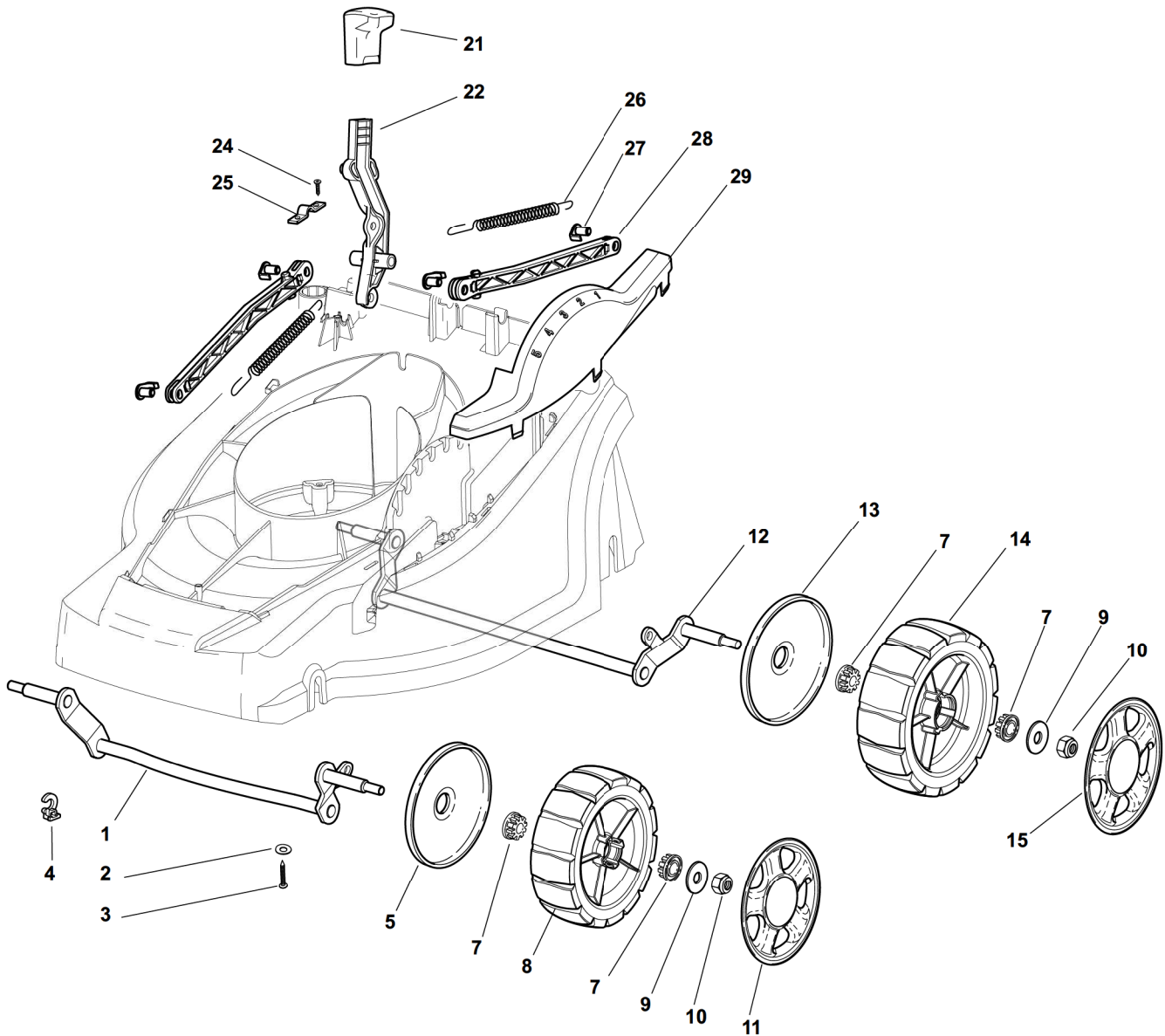
POS.	CODE	Q.TY	DESCRIZIONE	DESCRIPTION	DESCRIPTION	BESCHREIBUNG	REMARKS
1	81002837/0	1	Asse Ruote Anteriori	Axle, Front Wheels	Axe Roues Avant	Achse, Vorderrad	
2	12523050/0	4	Rosetta	Washer	Rondelle	Scheibe	
3	12728680/0	4	Vite	Screw	Vis	Schraube	
4	22170631/0	2	Distanziale	Spacer	Entretoise	Distanzring	
5	22600095/0	2	Prot. Ruote	Protection, Wheel	Protection Roue	Schütz, Räder	
6	22675100/0	4	Rosetta	Washer	Rondelle	Scheibe	
7	22122200/0	8	Cuscinetto	Bearing	Coussinet	Lager	
8	22686091/1	2	Ruota Ø 165	Wheel Ø 165	Roue Ø 165	Rad Ø 165	
9	12523060/0	4	Rosetta	Washer	Rondelle	Scheibe	
10	12155000/0	4	Dado	Nut	Ecrou	Mutter	(See Enclosure 1)
11	-	2	Coprismozzo	Hub Cap	Couvre-Moyeu	Radkappe	
12	81002839/0	1	Asse Ruote Posteriori	Axle, Rear Wheels	Axe Roues Arriere	Achse, Hinterrad	
13	22600131/0	2	Prot. Ruote	Protection, Wheel	Protection Roue	Schütz, Räder	
14	22686092/0	2	Ruota Ø 190	Wheel Ø 190	Roue Ø 190	Rad Ø 190	

POS.	CODE	Q.TY	DESCRIZIONE	DESCRIPTION	DESCRIPTION	BESCHREIBUNG	REMARKS
15	-	2	Coprimozzo	Hub Cap	Couvre-Moyeu	Radkappe	(See Enclosure 2)
21	22399818/0	1	Manopolina	Knob	Poignée	Griff	
22	322321535/0	1	Leva Regolazione Altezza	Lever, Height Adjustment	Levier Reglage Hauteur	Hebel, Höneverstellung	
24	12728691/0	2	Vite	Screw	Vis	Schraube	
25	25547049/0	1	Piastrina	Plate	Plaquette	Plättchen	
26	22450424/0	2	Molla	Spring	Ressort	Feder	
27	22524338/0	4	Perno	Pin	Pivot	Bolzen	
28	22869668/0	2	Tirante	Tie Rod	Tirant	Spannstange	
29	22109724/0	1	Carter Grigio	Cover, Grey	Couvre, Gris	Kappe, Grau	
29	22109731/0	1	Carter Nero	Cover, Grey	Couvre, Gris	Kappe, Schwarz	

SPL 410



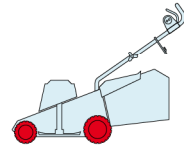
2009
E8007.0
1 / 2



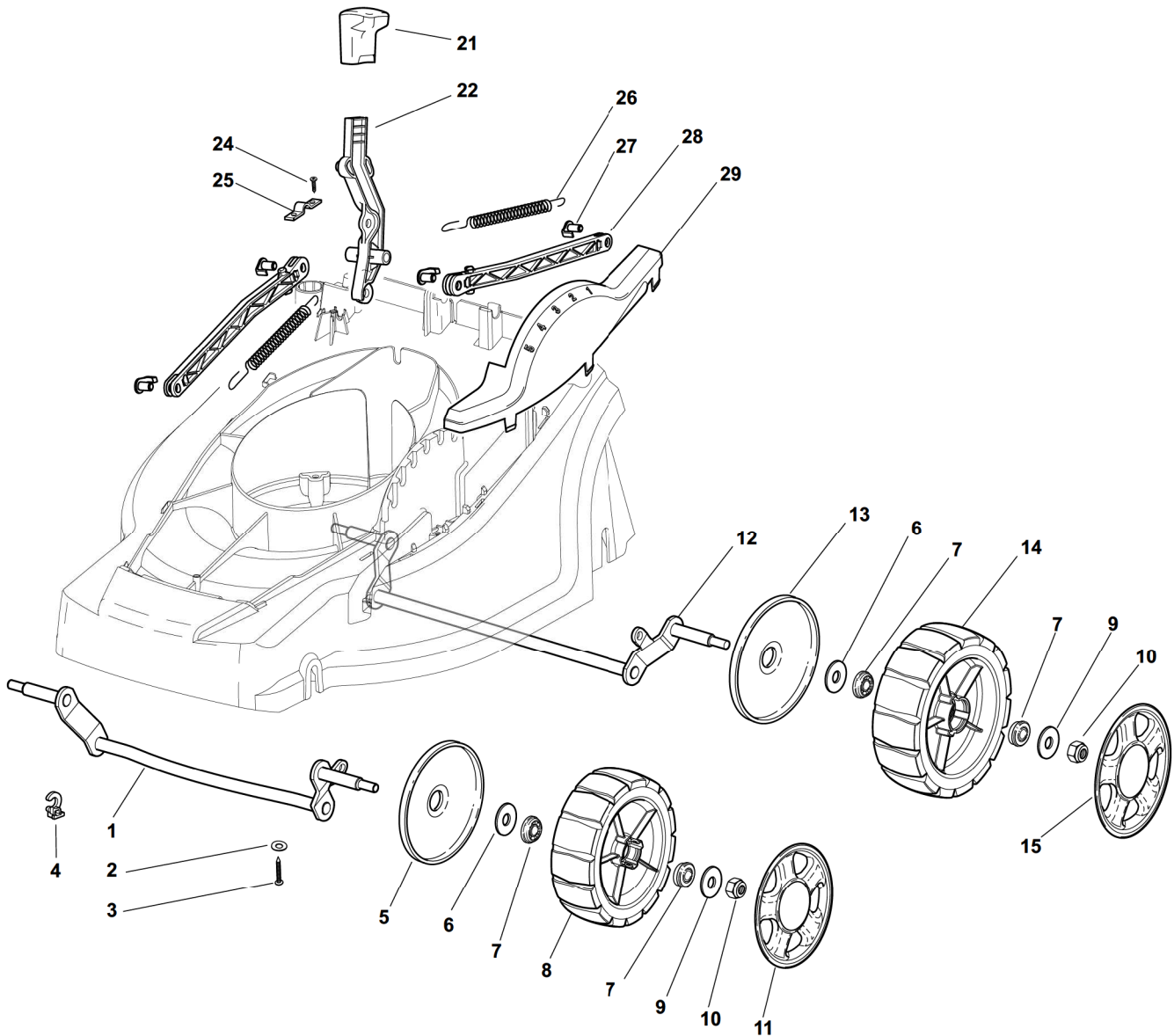
POS.	CODE	Q.TY	DESCRIZIONE	DESCRIPTION	DESCRIPTION	BESCHREIBUNG	REMARKS
1	81002837/0	1	Asse Ruote Anteriori	Axle, Front Wheels	Axe Roues Avant	Achse, Vorderrad	
2	12523050/0	4	Rosetta	Washer	Rondelle	Scheibe	
3	12728680/0	4	Vite	Screw	Vis	Schraube	
4	22170631/0	2	Distanziale	Spacer	Entretoise	Distanzring	
5	22600095/0	2	Prot. Ruote	Protection, Wheel	Protection Roue	Schütz, Räder	
7	22034508/0	8	Bussola	Bush	Douille	Buchse	
8	322686098/0	2	Ruota Ø 165	Wheel Ø 165	Roue Ø 165	Rad Ø 165	
9	12523060/0	4	Rosetta	Washer	Rondelle	Scheibe	
10	12155000/0	4	Dado	Nut	Ecrou	Mutter	
11	-	2	Coprimozzo	Hub Cap	Couvre-Moyeu	Radkappe	(See Enclosure 1)
12	81002839/0	1	Asse Ruote Posteriori	Axle, Rear Wheels	Axe Roues Arriere	Achse, Hinterrad	
13	22600131/0	2	Prot. Ruote	Protection, Wheel	Protection Roue	Schütz, Räder	
14	322686099/0	2	Ruota Ø 190	Wheel Ø 190	Roue Ø 190	Rad Ø 190	
15	-	2	Coprimozzo	Hub Cap	Couvre-Moyeu	Radkappe	(See Enclosure 2)

POS.	CODE	Q.TY	DESCRIZIONE	DESCRIPTION	DESCRIPTION	BESCHREIBUNG	REMARKS
21	22399818/0	1	Manopolina	Knob	Poignée	Griff	
22	322321535/0	1	Leva Regolazione Altezza	Lever, Height Adjustment	Levier Reglage Hauteur	Hebel, Höneverstellung	
24	12728691/0	2	Vite	Screw	Vis	Schraube	
25	25547049/0	1	Piastrina	Plate	Plaquette	Plättchen	
26	22450424/0	2	Molla	Spring	Ressort	Feder	
27	22524338/0	4	Perno	Pin	Pivot	Bolzen	
28	22869668/0	2	Tirante	Tie Rod	Tirant	Spannstange	
29	22109724/0	1	Carter Grigio	Cover, Grey	Couvre, Gris	Kappe, Grau	
29	22109731/0	1	Carter Nero	Cover, Grey	Couvre, Gris	Kappe, Schwarz	

SPL 410



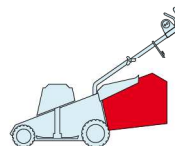
2009
E8008.0
1 / 2



POS.	CODE	Q.TY	DESCRIZIONE	DESCRIPTION	DESCRIPTION	BESCHREIBUNG	REMARKS
1	81002837/0	1	Asse Ruote Anteriori	Axle, Front Wheels	Axe Roues Avant	Achse, Vorderrad	
2	12523050/0	4	Rosetta	Washer	Rondelle	Scheibe	
3	12728680/0	4	Vite	Screw	Vis	Schraube	
4	22170631/0	2	Distanziale	Spacer	Entretoise	Distanzring	
5	22600095/0	2	Prot. Ruote	Protection, Wheel	Protection Roue	Schütz, Räder	
6	22675100/0	4	Rosetta	Washer	Rondelle	Scheibe	
7	22122200/0	8	Cuscinetto	Bearing	Coussinet	Lager	
8	322686098/0	2	Ruota Ø 165	Wheel Ø 165	Roue Ø 165	Rad Ø 165	
9	12523060/0	4	Rosetta	Washer	Rondelle	Scheibe	
10	12155000/0	4	Dado	Nut	Ecrou	Mutter	(See Enclosure 1)
11	-	2	Coprismozzo	Hub Cap	Couvre-Moyeu	Radkappe	
12	81002839/0	1	Asse Ruote Posteriori	Axle, Rear Wheels	Axe Roues Arriere	Achse, Hinterrad	
13	22600131/0	2	Prot. Ruote	Protection, Wheel	Protection Roue	Schütz, Räder	
14	322686099/0	2	Ruota Ø 190	Wheel Ø 190	Roue Ø 190	Rad Ø 190	

POS.	CODE	Q.TY	DESCRIZIONE	DESCRIPTION	DESCRIPTION	BESCHREIBUNG	REMARKS
15	-	2	Coprimozzo	Hub Cap	Couvre-Moyeu	Radkappe	(See Enclosure 2)
21	22399818/0	1	Manopolina	Knob	Poignée	Griff	
22	322321535/0	1	Leva Regolazione Altezza	Lever, Height Adjustment	Levier Reglage Hauteur	Hebel, Höneverstellung	
24	12728691/0	2	Vite	Screw	Vis	Schraube	
25	25547049/0	1	Piastrina	Plate	Plaquette	Plättchen	
26	22450424/0	2	Molla	Spring	Ressort	Feder	
27	22524338/0	4	Perno	Pin	Pivot	Bolzen	
28	22869668/0	2	Tirante	Tie Rod	Tirant	Spannstange	
29	22109724/0	1	Carter Grigio	Cover, Grey	Couvre, Gris	Kappe, Grau	
29	22109731/0	1	Carter Nero	Cover, Grey	Couvre, Gris	Kappe, Schwarz	

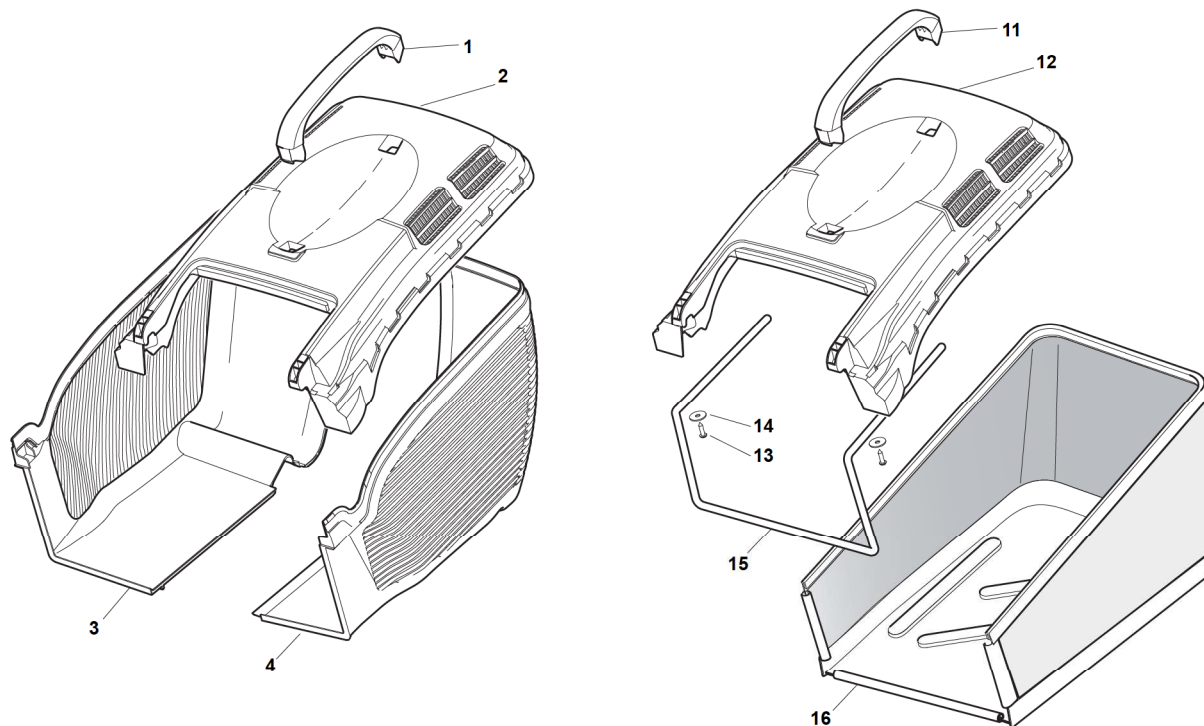
SPL 410



2009

E8009.0

1 / 1



POS.	CODE	Q.TY	DESCRIZIONE	DESCRIPTION	DESCRIPTION	BESCHREIBUNG	REMARKS
1	322393620/1	1	Maniglia Grigio	Handle, Grey	Poignee, Gris	Griff, Grau	
2	322486193/2	1	Parte Sup.Sacco	Grassbox Upper Part	Sac, Partie Superieure	Korb Oberteil	
3	22486176/0	1	Parte Infer. Sacco Dx	Grassbox Lower Part (R)	Sac, Partie Inferieure (D)	Korb Unterteil (R)	
4	22486177/0	1	Parte Infer. Sacco Sx	Grassbox Lower Part (L)	Sac, Partie Inferieure (G)	Korb Unterteil (L)	
11	322393620/1	1	Maniglia Grigio	Handle, Grey	Poignee, Gris	Griff, Grau	
12	322486193/2	1	Parte Sup.Sacco	Grassbox Upper Part	Sac, Partie Superieure	Korb Oberteil	
13	12728680/0	2	Vite	Screw	Vis	Schraube	
14	12523050/0	2	Rosetta	Washer	Rondelle	Scheibe	
15	22608539/0	1	Rinforzo Inf	Stiffening Lower	Réinforcement Inf	Verstärkung	
16	81002266/0	1	Sacco, Tela	Box, Fabric	Sac, Toile	Sack, Tuck	