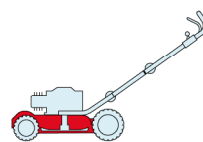


MCS 504

TR SIL

TR 4S SIL

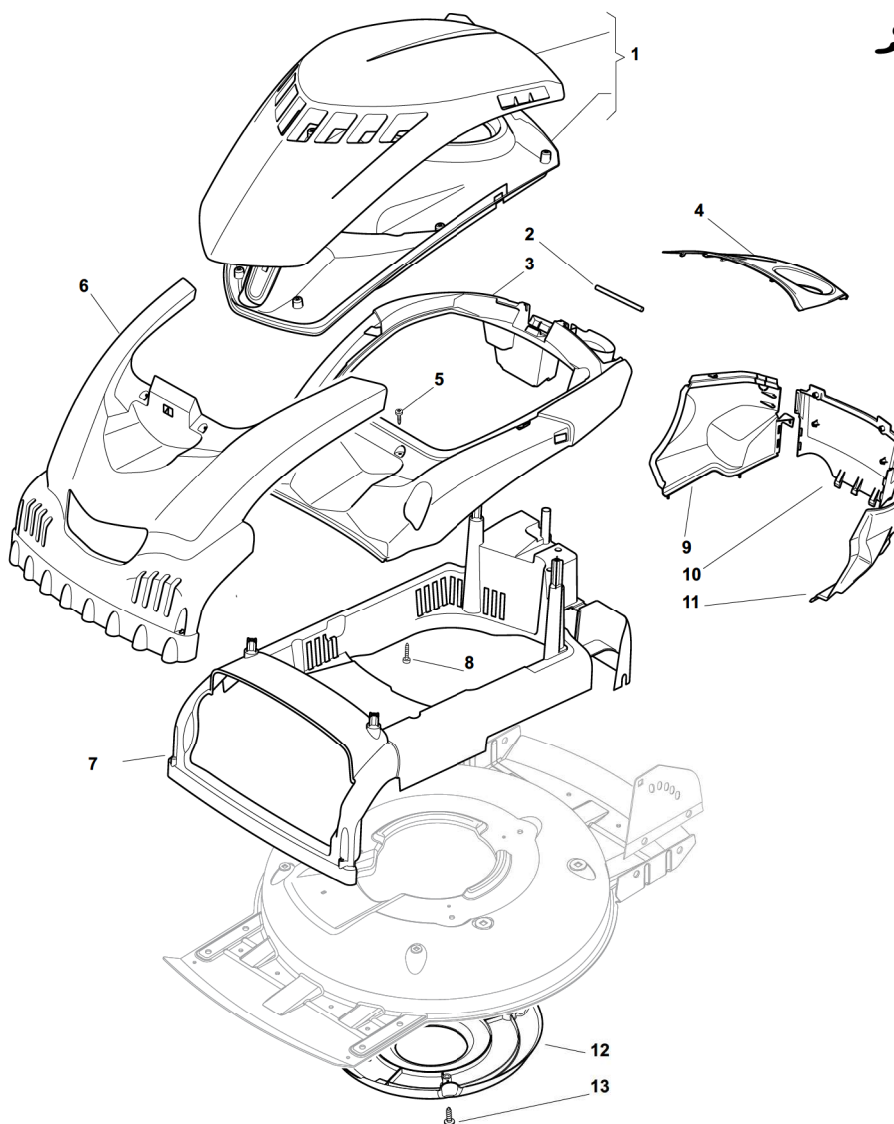


2009

82_001

1/2

silent



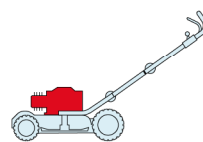
POS.	CODE	Q.TY	DESCRIZIONE	DESCRIPTION	DESCRIPTION	BESCHREIBUNG	REMARKS
1	381119702/0	1	Copertura Sup. Grigio	Cover, Upper Grey	Couvre, Sup. Gris	Oberteilkappe, Rot Grau	
1	381119703/0	1	Copertura Sup. Nero	Cover, Upper Black	Couvre, Sup. Noir	Oberteilkappe, Rot Schwarz	
2	122517861/0	1	Perno	Pin	Pivot	Bolzen	
3	322109813/0	1	Copertura Sup. Rosso Cast.	Cover, Upper Red Cast.	Couvre, Sup. Rouge Cast.	Oberteilkappe, Rot Cast.	Castelgarden
3	322109814/0	1	Copertura Sup. Rosso Mount.	Cover, Upper Red Mount.	Couvre, Sup. Rouge Mount.	Oberteilkappe, Rot Mount.	Mountfield
3	322109801/0	1	Copertura Sup. Giallo	Cover, Upper Yellow	Couvre, Sup. Jaune	Oberteilkappe, Rot Gelb	Stiga
4	322109745/0	1	Coperchio, Grigio	Cover, Grey	Couvercle, Gris	Deckel, Grau	
4	322109818/0	1	Coperchio, Nero	Cover, Black	Couvercle, Noir	Deckel, Schwarz	
5	112728706/0	6	Vite	Screw	Vis	Schraube	
6	322109820/0	1	Mascherina, Rosso Cast.	Mask, Red Cast.	Mesque, Rouge Cast.	Maske, Rot Cast.	Castelgarden
6	322109821/0	1	Mascherina, Rosso Mount.	Mask, Red Mount.	Mesque, Rouge Mount.	Maske, Rot Mount.	Mountfield
6	322109804/0	1	Mascherina, Giallo	Mask, Yellow	Mesque, Jaune	Maske, Gelb	Stiga
7	322109811/0	1	Copertura Inf. Rosso Cast.	Cover, Lower Red Cast.	Couvre, Inferieure Rouge Cast.	Unterkappe, Rot Cast.	Castelgarden

POS.	CODE	Q.TY	DESCRIZIONE	DESCRIPTION	DESCRIPTION	BESCHREIBUNG	REMARKS
7	322109812/0	1	Copertura Inf. Rosso Mount.	Cover, Lower Red Mount.	Couvre, Inferieure Rouge Mount.	Unterkappe, Rot Mount.	Mountfield
7	322109802/0	1	Copertura Inf. Giallo	Cover, Lower Yellow	Couvre, Inferieure Jaune	Unterkappe, Rot Gelb	Stiga
8	112728696/0	2	Vite	Screw	Vis	Schraube	
9	322109799/0	1	Chiusura Post. Grigio	Rear Cover, Grey	Couvercle Arriere, Gris	Deckel Hinter, Grau	
9	322109816/0	1	Chiusura Post. Nero	Rear Cover, Black	Couvercle Arriere, Noir	Deckel Hinter, Schwarz	
10	322109798/0	1	Chiusura Post. Grigio	Rear Cover, Grey	Couvercle Arriere, Gris	Deckel Hinter, Grau	
10	322109815/0	1	Chiusura Post. Nero	Rear Cover, Black	Couvercle Arriere, Noir	Deckel Hinter, Schwarz	
11	322109800/0	1	Chiusura Post. Grigio	Rear Cover, Grey	Couvercle Arriere, Gris	Deckel Hinter, Grau	
11	322109817/0	1	Chiusura Post. Nero	Rear Cover, Black	Couvercle Arriere, Noir	Deckel Hinter, Schwarz	
12	322060227/0	1	Carter	Protection	Protection	Schutz	
13	12728530/0	3	Vite	Screw	Vis	Schraube	

MCS 504

TR SIL

TR 4S SIL

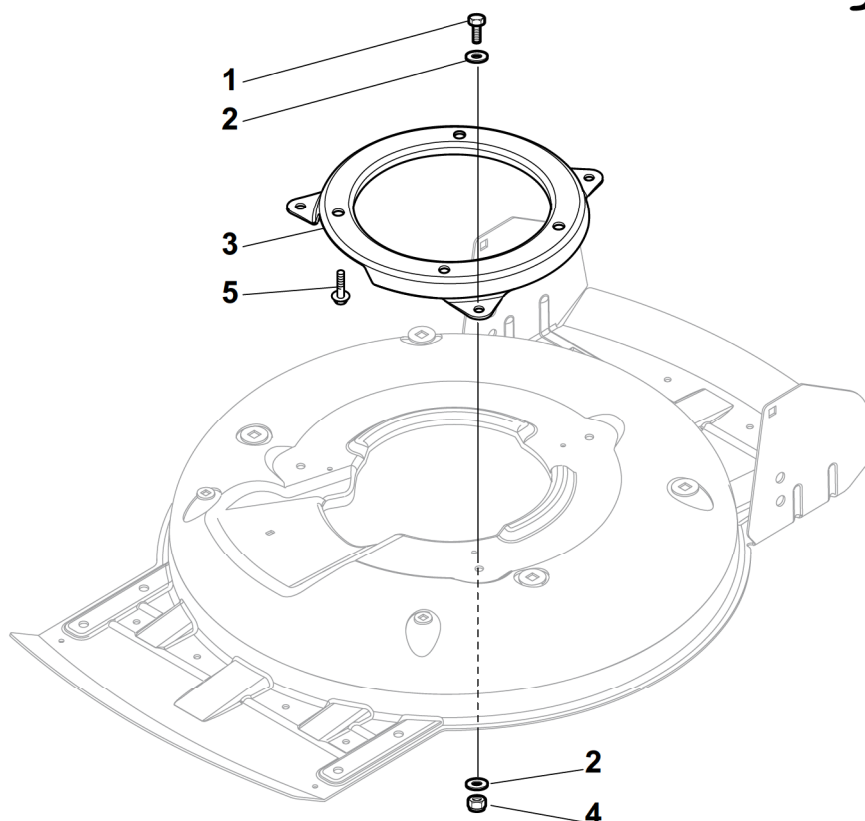


2009

82_002

1/1

silent

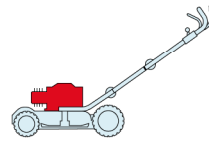


POS.	CODE	Q.TY	DESCRIZIONE	DESCRIPTION	DESCRIPTION	BESCHREIBUNG	REMARKS
1	12792611/0	3	Vite	Screw	Vis	Schraube	
2	12523060/0	6	Rosetta	Washer	Rondelle	Scheibe	
3	322207219/1	1	Flangia	Flange	Bride	Flansch	
4	12293201/0	3	Dado	Nut	Ecrou	Mutter	
5	112735108/1	3	Vite	Screw	Vis	Schraube	

MCS 504

TR SIL

TR 4S SIL

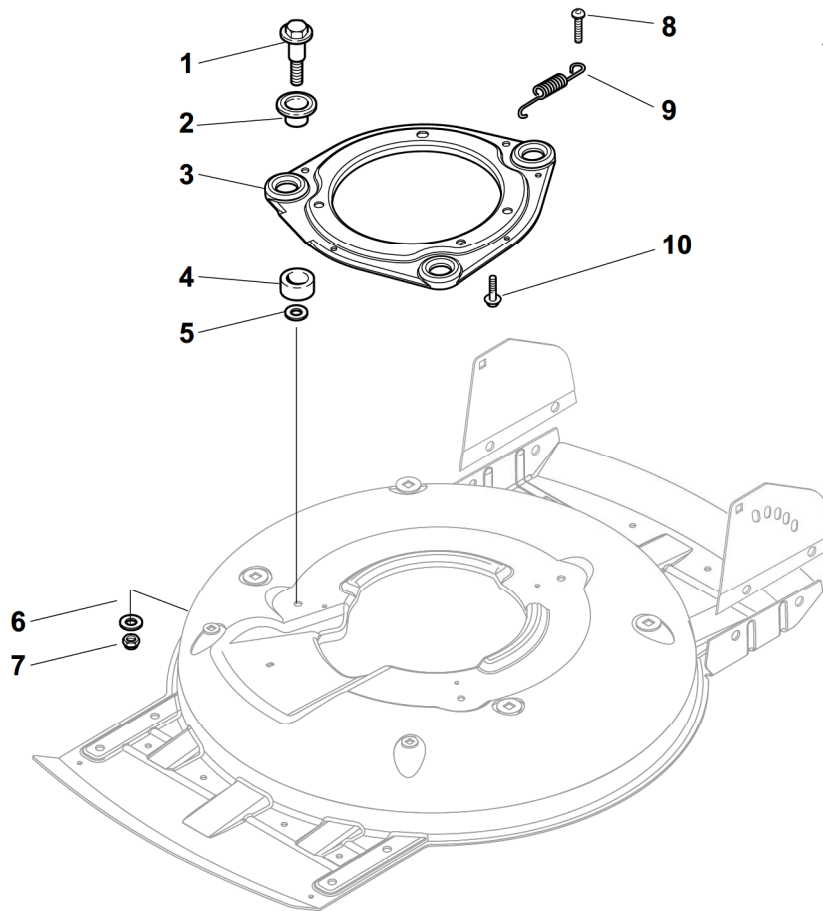


2009

82_003

1 / 1

silent

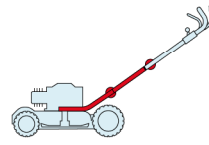


POS.	CODE	Q.TY	DESCRIZIONE	DESCRIPTION	DESCRIPTION	BESCHREIBUNG	REMARKS
1	22524329/0	3	Perno	Pin	Pivot	Bolzen	
2	22672201/0	3	Rosetta	Washer	Rondelle	Scheibe	
3	81207222/1	1	Flangia, Nero	Flange, Black	Bride, Noir	Flansch, Schwarz	
3	81207221/1	1	Flangia, Giallo	Flange, Yellow	Bride, Jaune	Flansch, Gelb	
4	22250012/0	3	Gommino	Grommet	Caoutchouc	Gummi	
5	22672201/0	3	Rosetta	Washer	Rondelle	Scheibe	
6	22671651/0	3	Rosetta	Washer	Rondelle	Scheibe	
7	12155000/0	3	Dado	Nut	Ecrou	Mutter	
8	12791400/0	1	Vite	Screw	Vis	Schraube	
9	22450444/0	1	Molla	Spring	Ressort	Feder	
10	112735108/1	3	Vite	Screw	Vis	Schraube	

MCS 504

TR SIL

TR 4S SIL

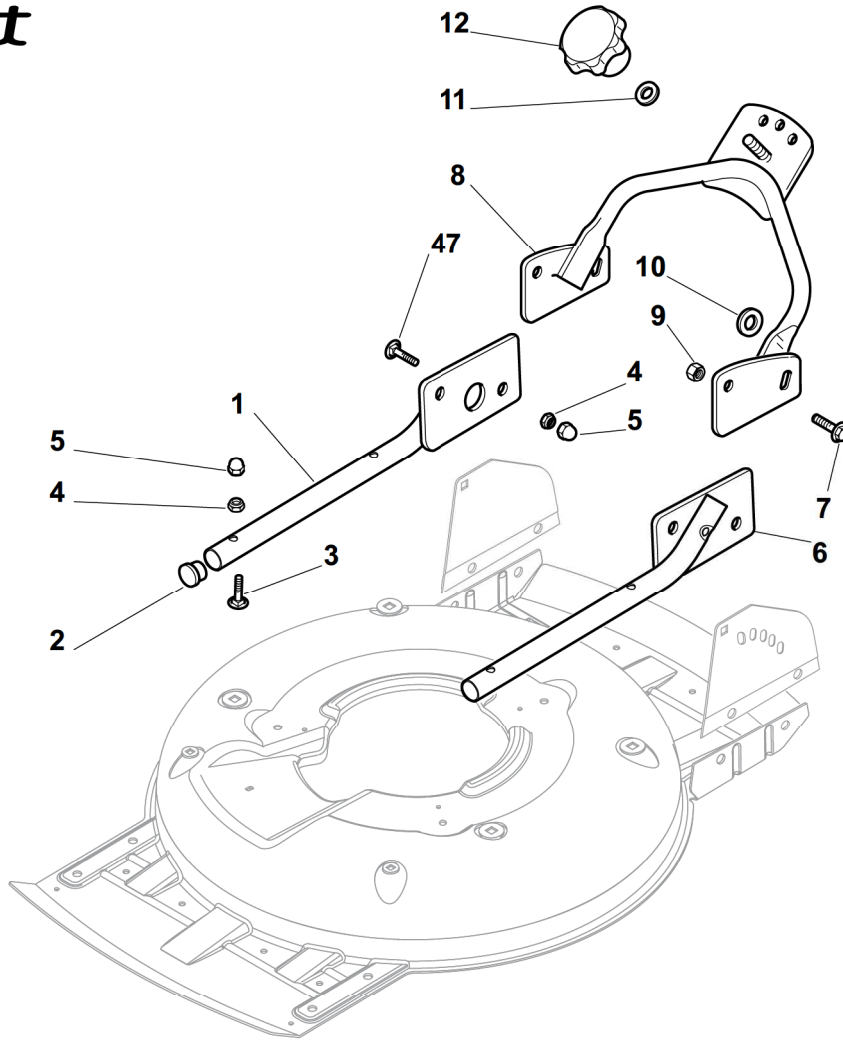


2009

82_004

1 / 1

silent

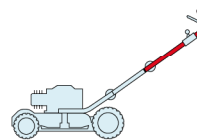


POS.	CODE	Q.TY	DESCRIZIONE	DESCRIPTION	DESCRIPTION	BESCHREIBUNG	REMARKS
1	381006381/0	1	Manico, Parte Inf Dx	Right Handle, Lower Part	Mancheron, Partie Inferieure	Holm, Unterteil	Yellow
1	381006383/0	1	Manico, Parte Inf Dx	Right Handle, Lower Part	Mancheron, Partie Inferieure	Holm, Unterteil	Black
2	18566114/0	4	Puntale	Cap	Bouchon	Gummistopfen	
3	12819100/0	6	Vite	Screw	Vis	Schraube	
4	12155000/0	6	Dado	Nut	Ecrou	Mutter	
5	18203854/0	6	Cappuccio	Protection	Capuchon	Stecker	
6	81006375/0	1	Manico, Parte Inf Sx	Left Handle, Lower Part	Mancheron, Partie Inferieure	Holm, Unterteil	Yellow
6	381006379/0	1	Manico, Parte Inf Sx	Left Handle, Lower Part	Mancheron, Partie Inferieure	Holm, Unterteil	Black
7	12793102/0	4	Vite	Screw	Vis	Schraube	
8	81006361/0	1	Manico, Parte Intermedia	Handle, Middle Part	Mancheron	Holm	Yellow
8	81006365/0	1	Manico, Parte Intermedia	Handle, Middle Part	Mancheron	Holm	Black
9	12155000/0	4	Dado	Nut	Ecrou	Mutter	
10	12523060/0	2	Rosetta	Washer	Rondelle	Scheibe	
11	12523080/0	1	Rosetta	Washer	Rondelle	Scheibe	
12	22399813/0	1	Manopolina	Knob	Poignée	Griff	

MCS 504

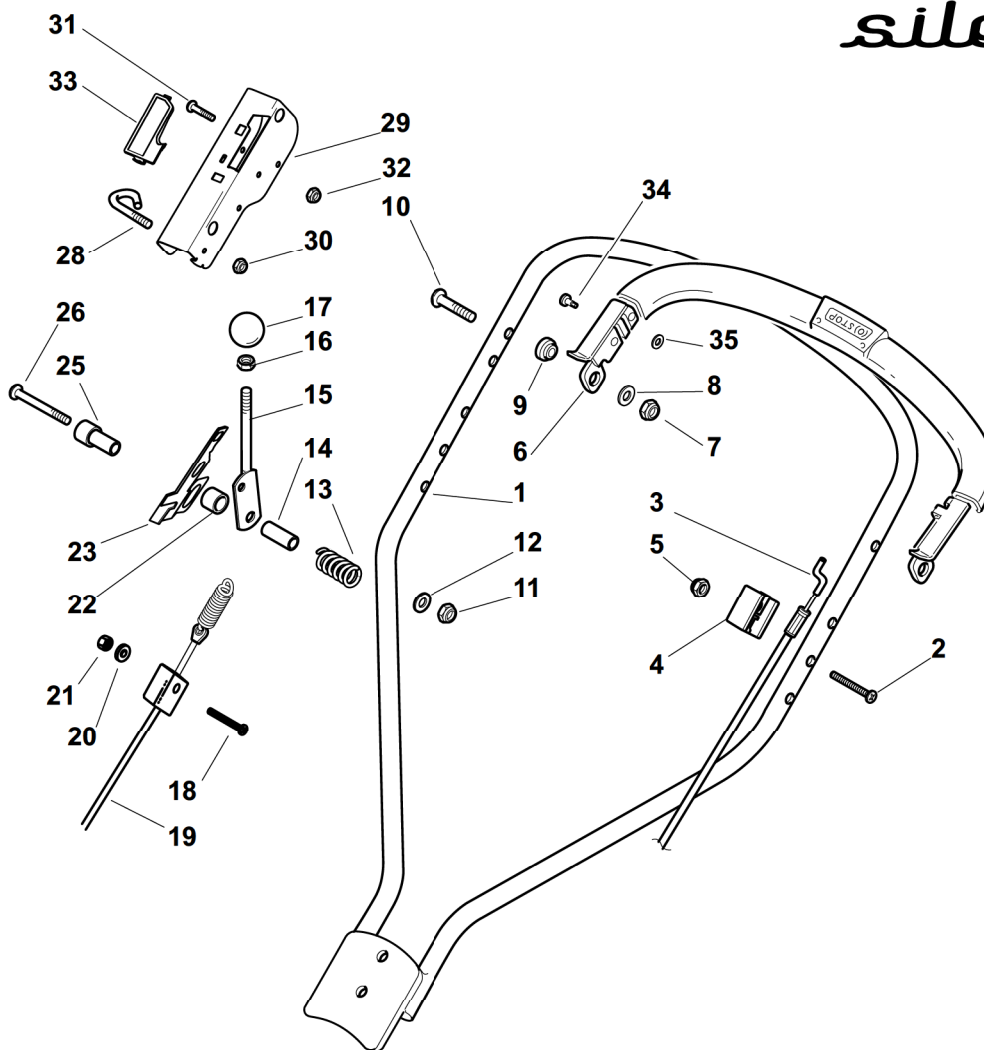
TR SIL

TR 4S SIL



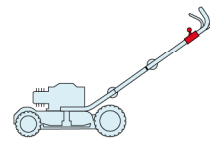
2009
82_005
1/2

silent



POS.	CODE	Q.TY	DESCRIZIONE	DESCRIPTION	DESCRIPTION	BESCHREIBUNG	REMARKS
1	81006363/1	1	Manico, Parte Sup	Handle, Upper Part	Mancheron, Partie Supérieure	Holm, Oberteil	Yellow
2	12727783/0	1	Vite	Screw	Vis	Schraube	
3	181000618/0	1	Cavo Freno Motore	Cable, Thread Engine Brake	Cable Frein Moteur	Kabel, Motorbremse	(Ggp 160cc)
4	22551640/0	1	Piastrina	Plate	Plaquette	Plättchen	
5	12154510/0	1	Dado	Nut	Ecrou	Mutter	
6	81003318/1	1	Leva Freno Motore	Lever, Engine Brake	Levier Frein Moteur	Hebel, Motorbremse	
7	12154510/0	2	Dado	Nut	Ecrou	Mutter	
8	12521330/0	2	Rosetta	Washer	Rondelle	Scheibe	
9	22671660/1	2	Rosetta	Washer	Rondelle	Scheibe	
10	12727784/0	2	Vite	Screw	Vis	Schraube	
11	12292100/0	1	Dado	Nut	Ecrou	Mutter	
12	12530060/0	1	Rosetta	Washer	Rondelle	Scheibe	
13	22450446/0	1	Molla	Spring	Ressort	Feder	
14	22170840/0	1	Distanziale	Spacer	Entretoise	Distanzring	
15	81003313/0	1	Leva Trazione	Lever, Driving	Levier Traction	Hebel, Antrieb	
16	12293200/0	1	Dado	Nut	Ecrou	Mutter	

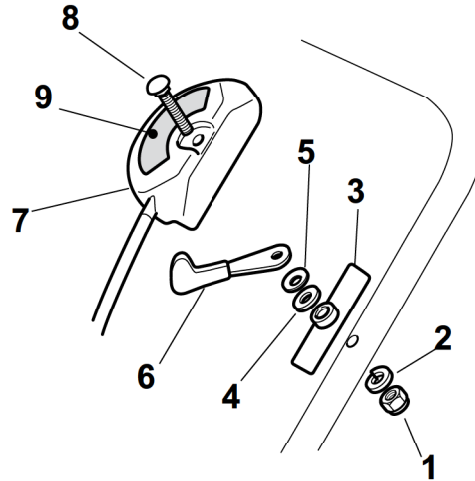
POS.	CODE	Q.TY	DESCRIZIONE	DESCRIPTION	DESCRIPTION	BESCHREIBUNG	REMARKS
17	22399812/0	1	Manopolina	Knob	Poignée	Griff	
18	12727791/0	1	Vite	Screw	Vis	Schraube	
19	381000745/1	1	Cavo Comando Trazione	Cable, Rear Drive	Câble, Commande Traction	Kabel, Antrieb	
20	12521330/0	1	Rosetta	Washer	Rondelle	Scheibe	
21	12154510/0	1	Dado	Nut	Ecrou	Mutter	
22	22170843/0	1	Distanziale	Spacer	Entretoise	Distanzring	
23	22551653/0	1	Piastrina	Plate	Plaquette	Platte	
25	22170842/0	1	Distanziale	Spacer	Entretoise	Distanzring	
26	12727786/0	1	Vite	Screw	Vis	Schraube	
28	22430314/0	1	Molla Guida	Spring	Ressort	Feder	
29	81004405/0	1	Cruscotto	Dash Board	Console	Konsole	
30	12154510/0	1	Dado	Nut	Ecrou	Mutter	
31	12727792/0	1	Vite	Screw	Vis	Schraube	
32	12154510/0	1	Dado	Nut	Ecrou	Mutter	
33	22500050/0	1	Pattino	Shoe	Bloc De Glissement	Gleitblock	
34	22524342/0	1	Perno	Pin	Pivot	Bolzen	
35	12604897/0	1	Anello Elastico	Snap Ring	Anneau Ressort	Sprengring	

MCS 504**TR SIL****TR 4S SIL**

2009

82_006

1 / 1

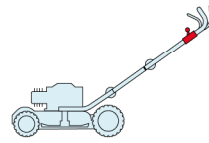
silent

POS.	CODE	Q.TY	DESCRIZIONE	DESCRIPTION	DESCRIPTION	BESCHREIBUNG	REMARKS
1	12291000/0	1	Dado	Nut	Ecrou	Mutter	
2	12581500/0	1	Grower	Grower	Grower	Federring	
3	22171006/0	1	Distanziale	Spacer	Entretoise	Distanzring	
4	12521360/0	1	Rosetta	Washer	Rondelle	Scheibe	
5	12508100/0	1	Rosetta Elastica	Spring Washer	Rondelle Elastique	Elastische Scheibe	
6	81007279/1	1	Leva, Acceleratore	Lever, Throttle	Levier, Accelérateur	Hebel, Beschleuniger	
7	81007080/0	1	Cavo Acceleratore	Throttle Cable	Cable, Accelérateur	Gashebel Kabel	
8	12815030/0	1	Vite	Screw	Vis	Schraube	
9	14356702/0	1	Etichetta	Label	Etiquette	Etikette	(GGP)
9	14361404/0	1	Etichetta	Label	Etiquette	Etikette	(GGP - Avs)

MCS 504

TR SIL

TR 4S SIL

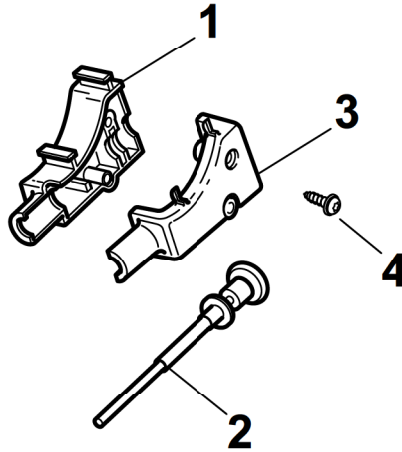


2009

82_007

1 / 1

silent

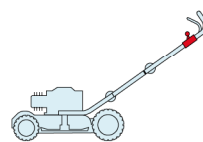


POS.	CODE	Q.TY	DESCRIZIONE	DESCRIPTION	DESCRIPTION	BESCHREIBUNG	REMARKS
1	22722804/1	1	Protezione Dx	R Protection	Protection D	Rechte Schutz	
2	381000742/1	1	Comando Starter	Starter Drive	Comande Starter	Starter Betaetigung	
3	22722805/1	1	Protezione Sx	L Protection	Protection G	Linke Schutz	
4	12728300/0	1	Vite	Screw	Vis	Schraube	

MCS 504

TR SIL

TR 4S SIL

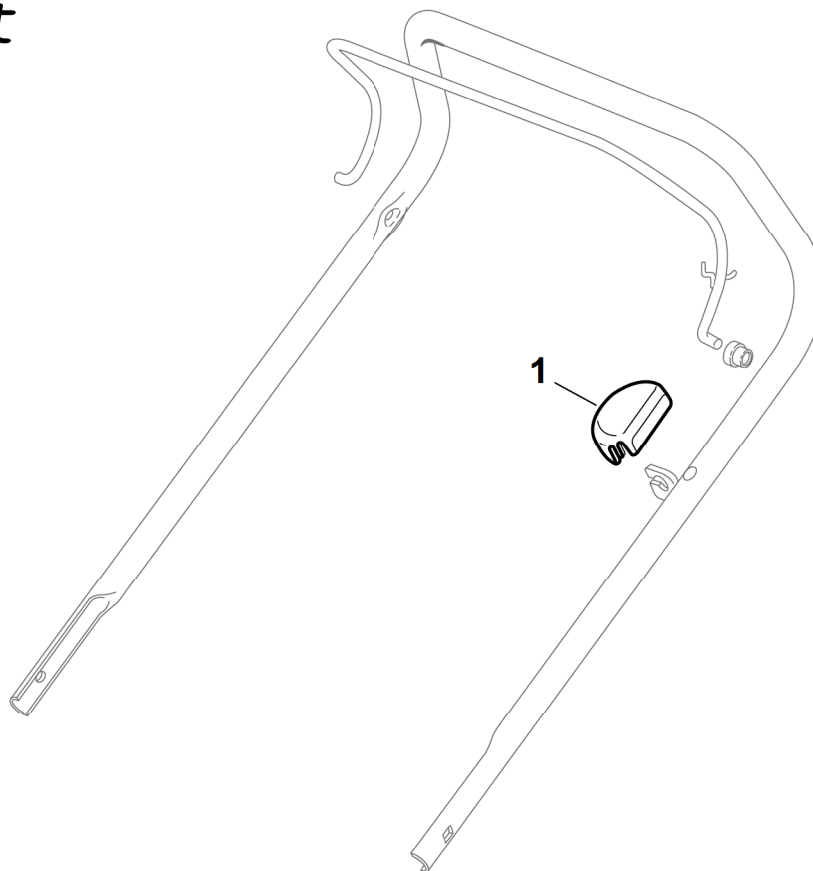


2009

82_008

1 / 1

silent

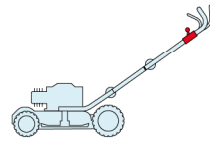


POS.	CODE	Q.TY	DESCRIZIONE	DESCRIPTION	DESCRIPTION	BESCHREIBUNG	REMARKS
1	22601000/0	1	Protezione	Protection	Protection	Schutz	

MCS 504

TR SIL

TR 4S SIL

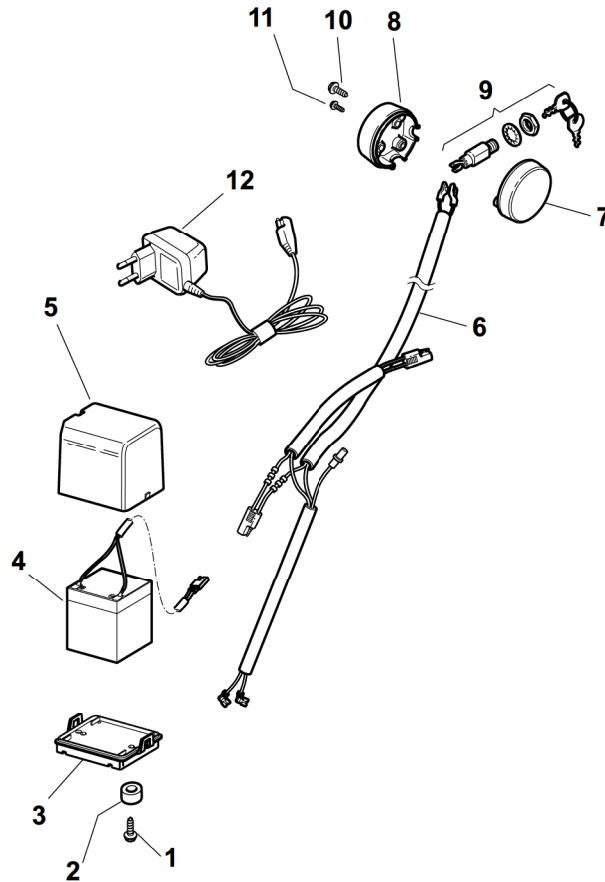


2009

82_009

1 / 1

silent

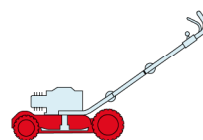


POS.	CODE	Q.TY	DESCRIZIONE	DESCRIPTION	DESCRIPTION	BESCHREIBUNG	REMARKS
1	12728535/0	2	Vite	Screw	Vis	Schraube	
2	25160012/0	2	Distanziale	Spacer	Entretoise	Distanzring	
3	22785122/0	1	Supporto Batteria	Support, Battery	Support Batterie	Halter, Batterie	
4	18120052/0	1	Batteria	Battery	Batterie	Batterie	
5	22109530/0	1	Coperchio	Cover	Couvercle	Deckel	
6	18204197/0	1	Cavo Avviamento	Cable, Start	Cable Démarrage	Kabel, Start	
7	22722801/0	1	Protezione Sx	L Protection	Protection G	Linke Schutz	
8	22722800/0	1	Protezione Dx	R Protection	Protection D	Rechte Schutz	
9	18450050/0	1	Interruttore	Switch	Interrupteur	Schalter	
10	12728300/0	2	Vite	Screw	Vis	Schraube	
11	12728691/0	1	Vite	Screw	Vis	Schraube	
12	18204120/0	1	Carica Batteria	Battery Charger	Chargeur De Batterie	Ladgerät	
12	18204121/0	1	Carica Batteria	Battery Charger	Chargeur De	Ladgerät	(Uk)

MCS 504

TR SIL

TR 4S SIL

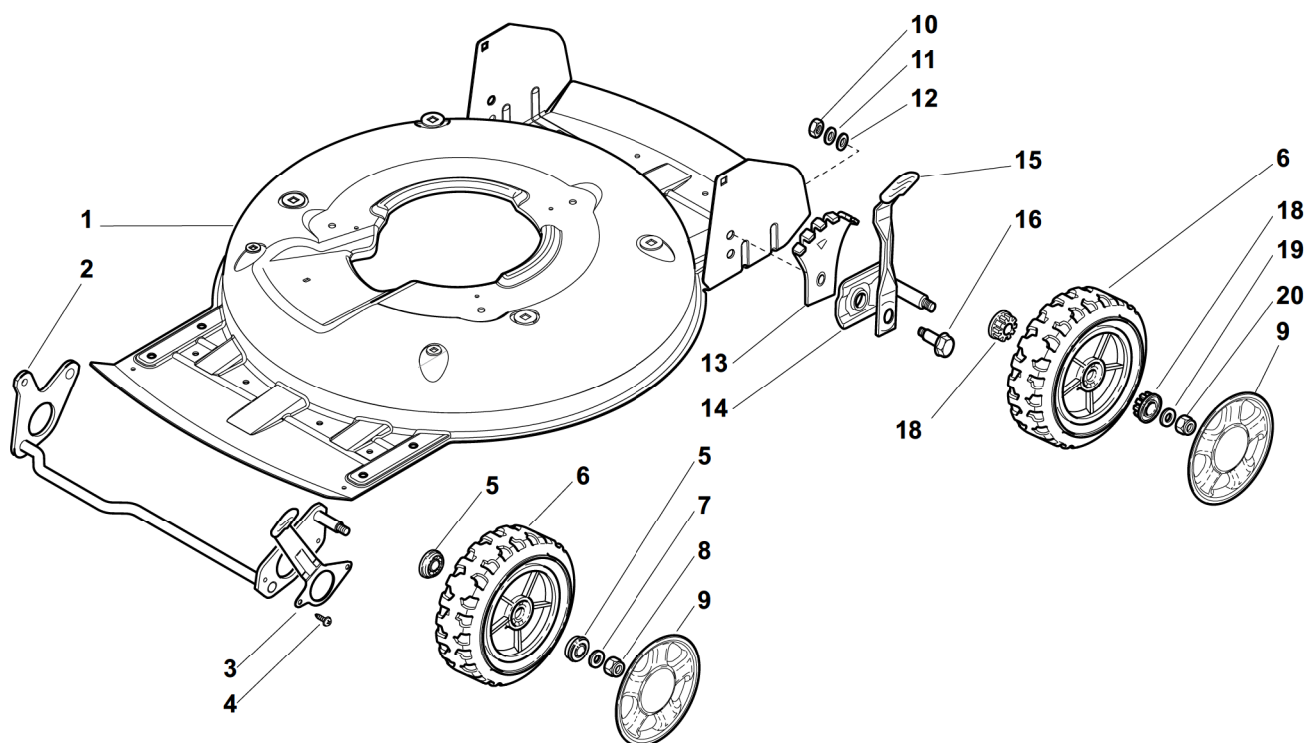


2009

82_010

1 / 1

silent

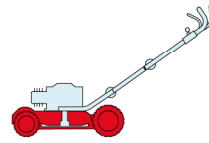


POS.	CODE	Q.TY	DESCRIZIONE	DESCRIPTION	DESCRIPTION	BESCHREIBUNG	REMARKS
1	81002907/1	1	Chassis Giallo	Deck Yellow	Châssis Jaune	Gehäuse Gelb	
2	81002849/0	1	Asse Ruote Posteriore	Axle, Rear Wheels	Axe Roues Arriere	Achse, Hinterrad	
3	81003276/0	1	Leva Regolazione Altezza	Lever, Height Adjustment	Levier, Reglage Hauteur	Hebel, Höheverstellung	
4	12735661/0	2	Vite	Screw	Vis	Schraube	
5	22122200/0	4	Cuscinetto	Bearing	Coussinet	Lager	
6	81007343/0	4	Ruota Ø 210	Wheel Ø 210	Roue Ø 210	Rad Ø 210	
7	12369500/0	2	Disco Elastico	Elastic Washer	Rondelle Elastique	Elastischescheibe	
8	12155000/0	2	Dado	Nut	Ecrou	Mutter	
9	-	4	Coprismozzo	Hub Cap	Couvre-Moyeu	Radkappe	(See Enclosure 2)
10	12293200/0	2	Dado	Nut	Ecrou	Mutter	
11	12583500/0	2	Grower	Grower	Grower	Federring	
12	12523070/0	2	Rosetta	Washer	Rondelle	Scheibe	
13	22735547/0	2	Settore Regolazione Altezza	Sector, Height Adjustment	Secteur Reglage Hauteur	Sektor, Höheverstellung	
14	81005082/0	2	Supporto Ruota	Support, Wheel	Support Roue	Halter, Rad	
15	81003286/0	2	Leva Regolazione Altezza	Lever, Height Adjustment	Levier, Reglage Hauteur	Hebel, Höheverstellung	
16	22519811/0	2	Perno	Pin	Pivot	Bolzen	
18	22034508/0	4	Bussola	Bush	Douille	Buchse	
19	12523060/0	2	Rosetta	Washer	Rondelle	Scheibe	
20	12155000/0	2	Dado	Nut	Ecrou	Mutter	

MCS 504

TR SIL

TR 4S SIL

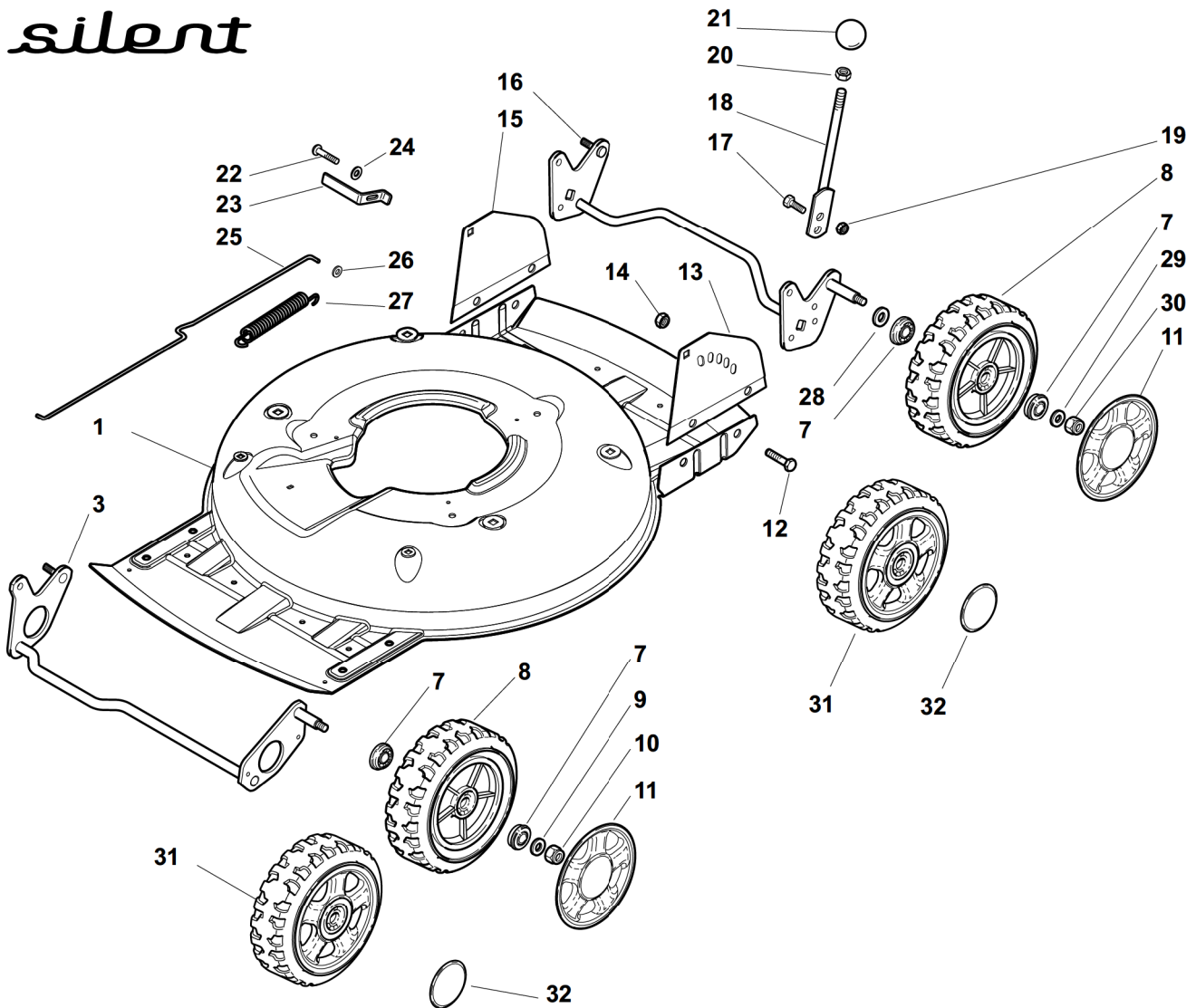


2009

82_011

1 / 2

silent



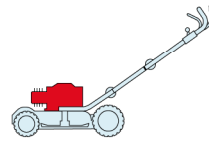
POS.	CODE	Q.TY	DESCRIZIONE	DESCRIPTION	DESCRIPTION	BESCHREIBUNG	REMARKS
1	81002909/1	1	Chassis Grigio	Deck Grey	Châssis Gris	Gehäuse Grau	
1	322064691/0	1	Chassis INOX	Deck INOX	Châssis INOX	Gehäuse INOX	
3	81002849/0	1	Asse Ruote Anteriore	Axle, Front Wheels	Axe Roues Avant	Achse, Vorderrad	
7	22122200/0	8	Cuscinetto	Bearing	Coussinet	Lager	
8	81007343/0	4	Ruota Ø 210	Wheel Ø 210	Roue Ø 210	Rad Ø 210	
9	12369500/0	2	Disco Elastico	Elastic Washer	Rondelle Elastique	Elastischescheibe	
10	12155000/0	2	Dado	Nut	Ecrou	Mutter	
11	-	4	Coprimozzo	Hub Cap	Couvre-Moyeu	Radkappe	(See Enclosure 2)
12	12791011/0	4	Vite	Screw	Vis	Schraube	
13	322545169/0	1	Piastrina Sinistra, INOX	Left Plate, INOX	Plaquette Gauche, INOX	Plättchen Linke, INOX	
13	81545105/0	1	Piastrina Sinistra	Left Plate	Plaquette G	Plättchen L	
14	12154510/0	4	Dado	Nut	Ecrou	Mutter	
15	81545104/0	1	Piastrina Destra	Right Plate	Plaquette D	Plättchen R	
15	322545167/0	1	Piastrina Destra, INOX	Right Plate, INOX	Plaquette Droite, INOX	Plättchen Rechte, INOX	
16	81002851/0	1	Asse Ruote Posteriore	Axle, Rear Wheels	Axe Roues Arriere	Achse, Hinterrad	
17	12789000/0	2	Vite	Screw	Vis	Schraube	

POS.	CODE	Q.TY	DESCRIZIONE	DESCRIPTION	DESCRIPTION	BESCHREIBUNG	REMARKS
18	81003323/0	1	Leva Regolazione Altezza	Lever, Height Adjustment	Levier Reglage Hauteur	Hebel, Höneverstellung	
19	12154330/0	2	Dado	Nut	Ecrou	Mutter	
20	12293200/0	1	Dado	Nut	Ecrou	Mutter	
21	22399812/0	1	Manopolina	Knob	Poignée	Griff	
22	12735661/0	2	Vite	Screw	Vis	Schraube	
23	22551529/0	2	Piastrina	Plate	Plaque	Plättchen	
24	12521330/0	2	Rosetta	Washer	Rondelle	Scheibe	
25	22033329/0	1	Asta Comando Regol.	Rod, Height Adjustment Control	Tige Commande Reglage Hauteur	Stange, Höneverstellung	
26	12604899/0	2	Fissatore A Corona	Crown Fastener	Fixateur A Couronne	Kronescheibe	
27	22446184/0	1	Molla	Spring	Ressort	Feder	
28	12530150/0	2	Rosetta	Washer	Rondelle	Scheibe	
29	12521350/0	2	Rosetta	Washer	Rondelle	Scheibe	
30	12155000/0	2	Dado	Nut	Ecrou	Mutter	
31	81007382/0	4	Ruota Ø 210	Wheel Ø 210	Roue Ø 210	Rad Ø 210	
32	22110419/0	4	Coprimozzo	Hub Cap	Couvre-Moyeu	Radkappe	

MCS 504

TR SIL

TR 4S SIL

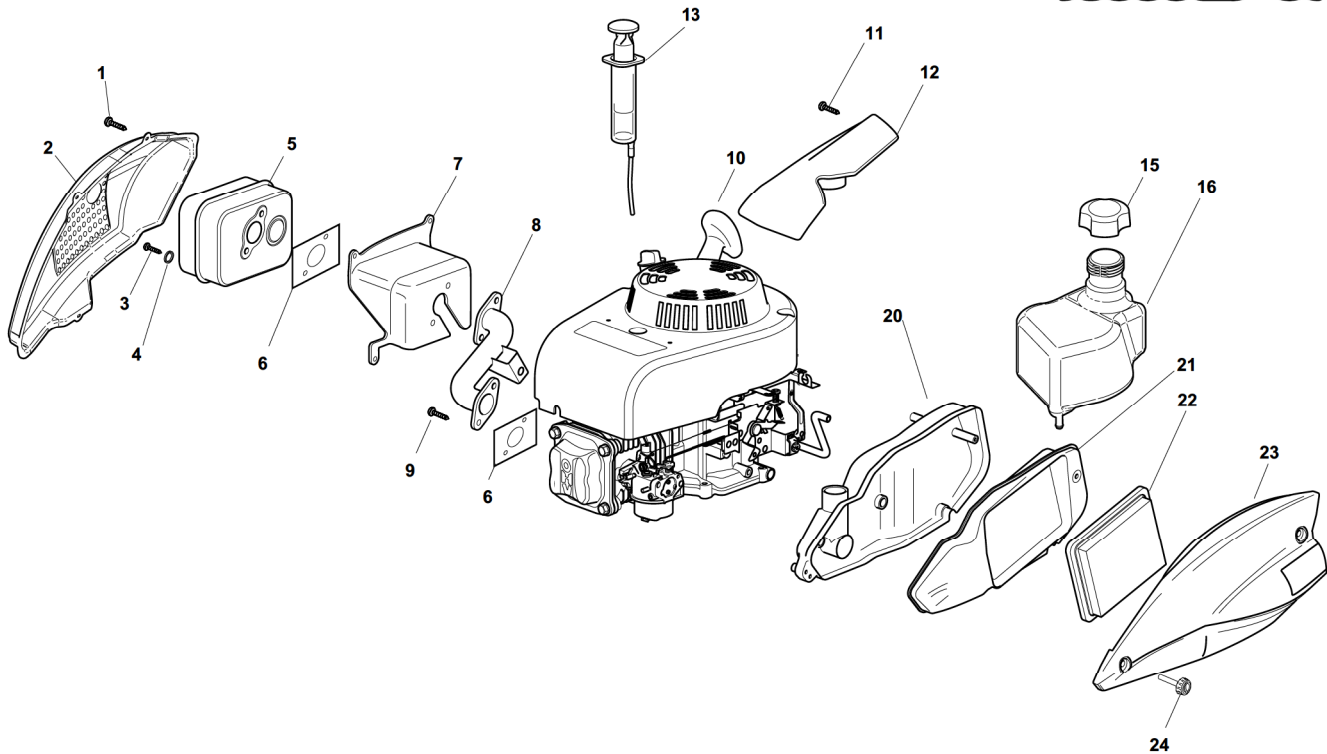


2009

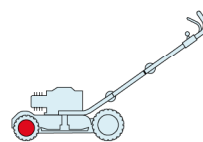
82_012

1 / 1

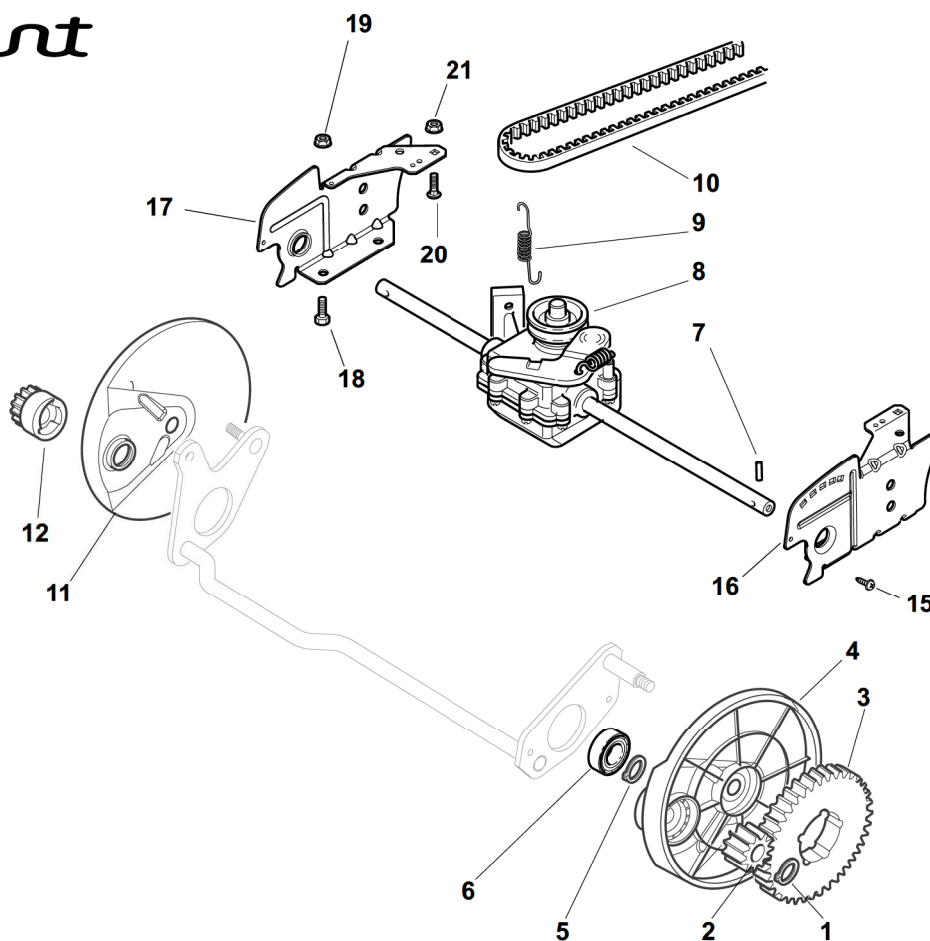
silent



POS.	CODE	Q.TY	DESCRIZIONE	DESCRIPTION	DESCRIPTION	BESCHREIBUNG	REMARKS
1	12735111/0	3	Vite	Screw	Vis	Schraube	
2	322601005/0	1	Protezione Silenziatore	Muffler Protection	Protection Silencieux	Auspuffschutz	
3	112689590/0	2	Vite	Screw	Vis	Schraube	
4	12582100/0	2	Rosetta	Washer	Rondelle	Scheibe	
5	118550269/0	1	Silenziatore	Muffler	Silencieux	Schalldämpfer	
6	118550270/0	2	Guarnizione Silenziatore	Gasket, Muffler	Garniture Silencieux	Schalldämpferdichtung	
7	381750101/0	1	Protezione	Guard	Protection	Schutze	
8	118738233/0	1	Tubo Scarico	Exhaust Tube	Tube Echappement	Abgasungrohr	
9	12735599/0	3	Vite	Screw	Vis	Schraube	
10	118550410/0	1	Motore	Engine	Moteur	Motor	
11	12728700/0	2	Vite	Screw	Vis	Schraube	
12	322785269/0	1	Coperchio	Cover	Couvercle	Deckel	
13	18718000/0	1	Siringa	Syringe	Seringue	Spritze	
15	27790000/1	1	Tappo Serbatoio	Cap	Bouchon	Tankverschluss	
16	322735150/0	1	Serbatoio	Tank	Reservoir	Tank	
20	322785268/0	1	Base Filtro Aria	Air Cleaner Base	Base Filtre Air	Luftfilterbasis	
21	322785267/0	1	Coperchio	Cover	Couvercle	Deckel	
22	118550257/0	1	Elemento Filtrante	Air Filter	Element Filtrant	Filterelement	
23	322109746/0	1	Coperchio Filtro Aria	Air Cleaner Cover	Couvercle Filtre Air	Luftfilterdeckel	
24	381004362/0	2	Vite	Screw	Vis	Schraube	



silent

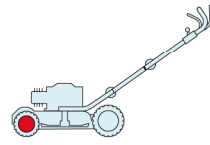


POS.	CODE	Q.TY	DESCRIZIONE	DESCRIPTION	DESCRIPTION	BESCHREIBUNG	REMARKS
1	12608600/0	2	Seeger	Seeger	Seeger	Seeger	
2	22570120/1	1	Pignone Sx	Pinion L	Pignon G	Ritzel Linkes	
3	22120105/1	2	Corona	Ring Gear	Couronne	Kranz	
4	22600092/0	1	Prot. Ruote Sx	Protection, L Wheel	Protection Roue G	Schütz, Linkes	
5	12608600/0	2	Seeger	Seeger	Seeger	Seeger	
6	19216035/0	2	Cuscinetto	Bearing	Coussinet	Lager	
7	22753000/0	2	Spina	Pin	Goupille	Stift	
8	81003095/0	1	Gruppo Trazione	Gear Box	Groupe Traction	Antrieb	
9	22450437/0	1	Molla	Spring	Ressort	Feder	
10	35063902/0	1	Cinghia Z 29.5	Belt Z 29.5	Courroie Z 29.5	Riemen Z 29.5	
11	22600093/0	1	Prot. Ruote Dx	Protection, R Wheel	Protection Roue D	Schütz, Rechtes	
12	22570110/1	1	Pignone Dx	Pinion R	Pignon D	Ritzel Rechtes	
15	12728450/0	2	Vite	Screw	Vis	Schraube	
16	22778421/0	1	Staffa Sx	Bracket, L	Bride G	Pratze, Linke	
17	22778419/0	1	Staffa Dx	Bracket, R	Bride D	Pratze, Rechte	
18	12792611/0	4	Vite	Screw	Vis	Schraube	
19	12293201/0	4	Dado	Nut	Ecrou	Mutter	
20	12815200/0	2	Vite	Screw	Vis	Schraube	
21	12292102/0	2	Dado	Nut	Ecrou	Mutter	

MCS 504

TR SIL

TR 4S SIL

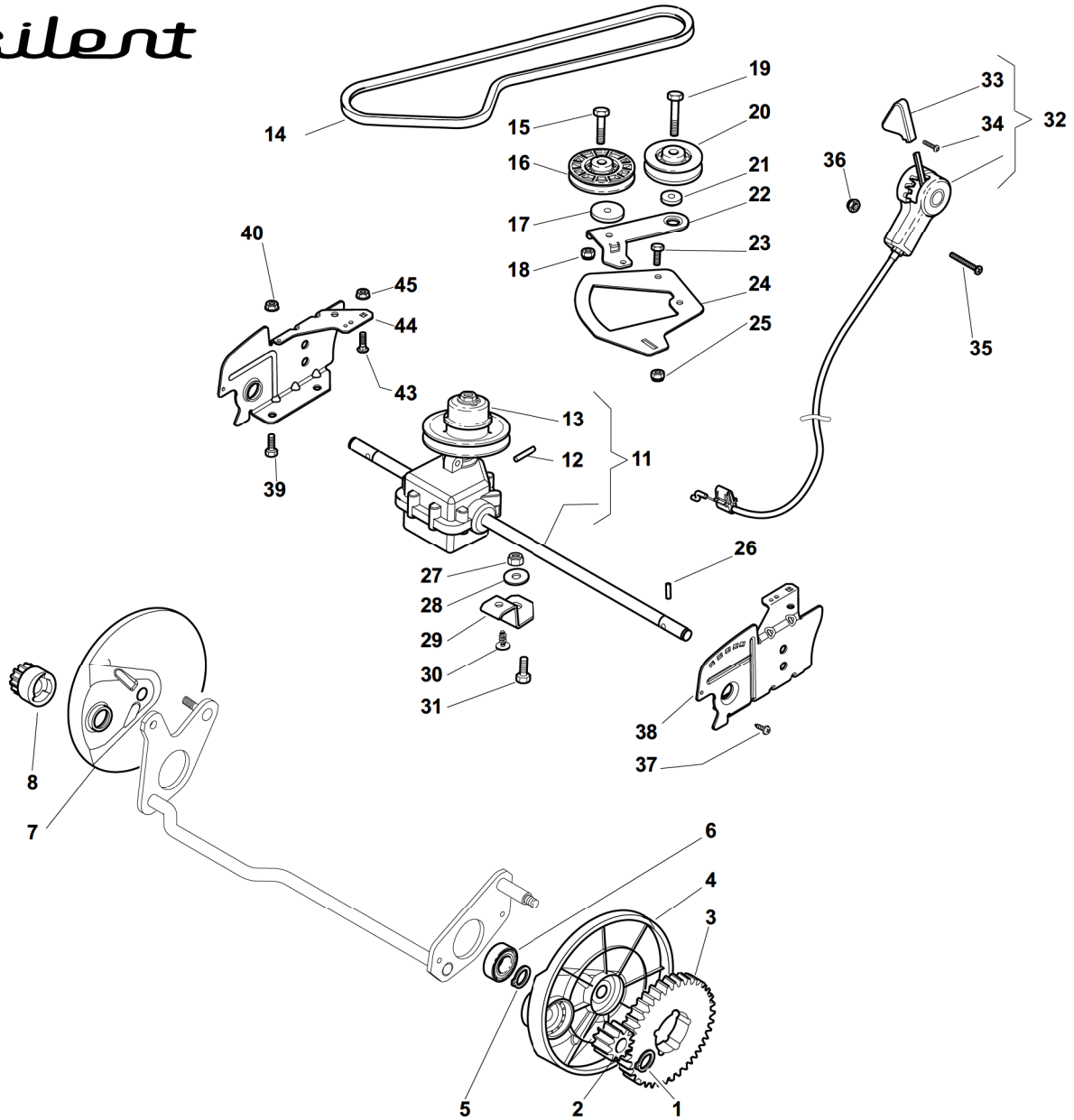


2009

82_014

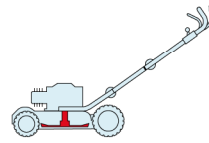
1 / 2

silent



POS.	CODE	Q.TY	DESCRIZIONE	DESCRIPTION	DESCRIPTION	BESCHREIBUNG	REMARKS
1	12608600/0	2	Seeger	Seeger	Seeger	Seeger	
2	22570120/1	1	Pignone Sx	Pinion L	Pignon G	Ritzel Linkes	
3	22120105/1	2	Corona	Ring Gear	Couronne	Kranz	
4	22600092/0	1	Prot. Ruote Sx	Protection, L Wheel	Protection Roue G	Schütz, Linkes	
5	12608600/0	2	Seeger	Seeger	Seeger	Seeger	
6	19216035/0	2	Cuscinetto	Bearing	Coussinet	Lager	
7	22600093/0	1	Prot. Ruote Dx	Protection, R Wheel	Protection Roue D	Schütz, Rechtes	
8	22570110/1	1	Pignone Dx	Pinion R	Pignon D	Ritzel Rechtes	
11	181003098/1	1	Gruppo Trazione	Gear Box	Groupe Traction	Antrieb	
12	12645700/0	1	Spina	Pin	Goupille	Stift	
13	122601925/0	1	Puleggia	Pulley	Poulie	Riemenscheibe	
14	35064010/0	1	Cinghia Zpx 812	Belt Zpx 812	Courroie Zpx 812	Riemen Zpx 812	

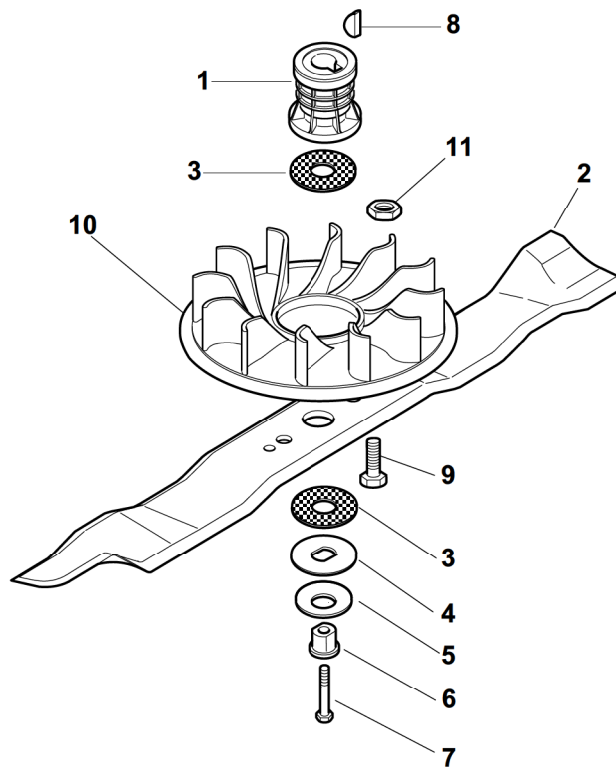
POS.	CODE	Q.TY	DESCRIZIONE	DESCRIPTION	DESCRIPTION	BESCHREIBUNG	REMARKS
15	12674701/0	1	Vite	Screw	Vis	Schraube	
16	22601914/0	1	Puleggia	Pulley	Poulie	Riemenscheibe	
17	22680009/0	1	Rosetta	Washer	Rondelle	Scheibe	
18	12154510/0	1	Dado	Nut	Ecrou	Mutter	
19	12689500/0	1	Vite	Screw	Vis	Schraube	
20	22601915/0	1	Puleggia	Pulley	Poulie	Riemenscheibe	
21	22671656/0	1	Distanziale	Spacer	Entretoise	Distanzring	
22	22320007/0	1	Leva	Lever	Levier	Hebel	
23	12791011/0	1	Vite	Screw	Vis	Schraube	
24	22806629/0	1	Supporto	Support	Support	Halter	
25	12154510/0	2	Dado	Nut	Ecrou	Mutter	
26	22753000/0	2	Spina	Pin	Goupille	Stift	
27	12155000/0	1	Dado	Nut	Ecrou	Mutter	
28	12523060/0	1	Rosetta	Washer	Rondelle	Scheibe	
29	22551655/0	1	Supporto	Support	Support	Halter	
30	12728704/0	1	Vite	Screw	Vis	Schraube	
21	12793102/0	1	Vite	Screw	Vis	Schraube	
32	81007112/0	1	Cavo Comando Marce	Cable, Speed Drive Control	Cable, Comm. Change- ment Vitesse	Kabel, Gängeschaltun	
33	22399809/0	1	Manopolina	Knob	Poignée	Griff	
34	12728300/0	1	Vite	Screw	Vis	Schraube	
35	12727787/0	2	Vite	Screw	Vis	Schraube	
36	12154510/0	2	Dado	Nut	Ecrou	Mutter	
37	12728450/0	2	Vite	Screw	Vis	Schraube	
38	22778421/0	1	Staffa Sx	Bracket, L	Bride G	Pratze, Linke	
39	12792611/0	3	Vite	Screw	Vis	Schraube	
40	12293201/0	3	Dado	Nut	Ecrou	Mutter	
43	12815200/0	2	Vite	Screw	Vis	Schraube	
44	22778419/0	1	Staffa Dx	Bracket, R	Bride D	Pratze, Rechte	
45	12292102/0	2	Dado	Nut	Ecrou	Mutter	

MCS 504**TR SIL****TR 4S SIL**

2009

82_015

1 / 1

silent

POS.	CODE	Q.TY	DESCRIZIONE	DESCRIPTION	DESCRIPTION	BESCHREIBUNG	REMARKS
1	22465611/0	1	Mozzo Con Puleggia, Albero Motore Ø 22.2	Hub With Pulley, Crankshaft Ø 22.2	Moyeu Avec Poulie, Arbre Moteur Ø 22.2	Nabe Mit Scheibe, Motorwelle Ø 22.2	
2	181004148/0	1	Coltello	Blade	Lame	Messer	
3	22672110/1	2	Rondella Frizione	Clutch Washer	Rondelle Friction	Kupplungscheibe	
4	22672105/0	1	Rosetta	Washer	Rondelle	Scheibe	
5	12508120/0	1	Molla A Tazza	Cupped Spring	Ressort	Teller Feder	
6	22041940/0	1	Bussola Frizione	Clutch Bush	Douille Friction	Kupplungsscheibe	
7	12736850/0	1	Vite	Screw	Vis	Schraube	
8	12139100/0	1	Linguetta, Albero Motore Ø 22.2	Feather, Crankshaft Ø 22.2	Clavette, Arbre Moteur Ø 22.2	Keil, Motorwelle Ø 22.2	
9	12791400/0	2	Vite	Screw	Vis	Schraube	
10	322465635/0	1	Mozzo Girante	Hub Fan	Moyeu Ventilateur	Läufendenabe	
11	12154510/0	2	Dado	Nut	Ecrou	Mutter	