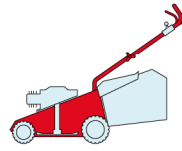


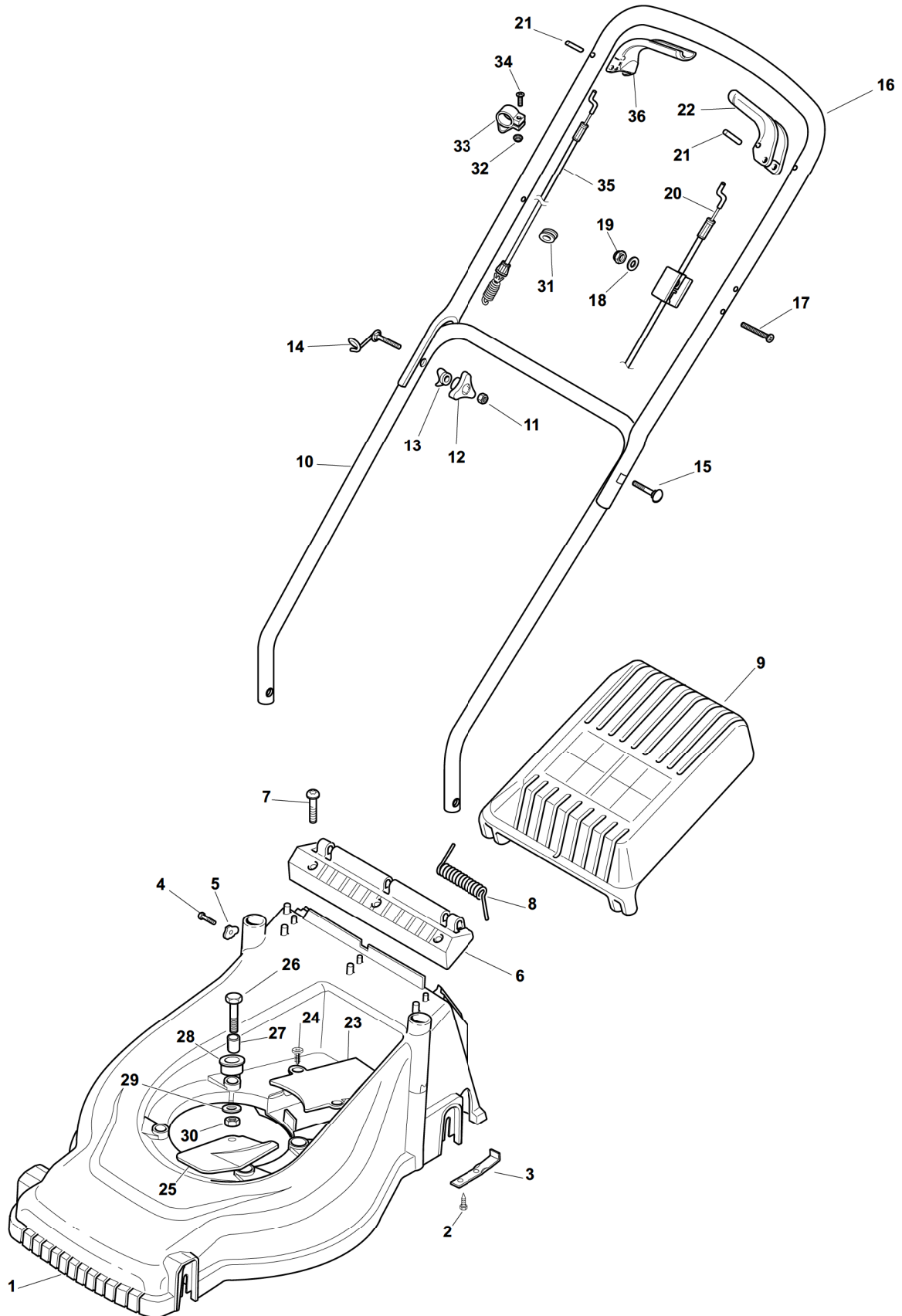
EP 434 TR



2009

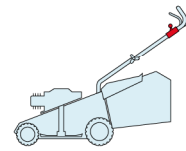
2_001

1 / 2



POS.	CODE	Q.TY	DESCRIZIONE	DESCRIPTION	DESCRIPTION	BESCHREIBUNG	REMARKS
1	22066700/0	1	Chassis Rosso	Deck Red	Châssis Rouge	Gehäuse Rot	
2	12728680/0	4	Vite	Screw	Vis	Schraube	
3	22608531/0	2	Rinforzo Posteriore	Rear Stiffening	Réinforcement Arriere	Hinterverstärkung	
4	12728450/0	2	Vite	Screw	Vis	Schraube	
5	22545135/0	2	Piastrina	Plate	Plaquette	Plättchen	
6	22785165/0	1	Supporto	Support	Support	Halter	
7	12728686/0	3	Vite	Screw	Vis	Schraube	
8	22450430/0	1	Molla	Spring	Ressort	Feder	
9	22600079/0	1	Parasassi	Stone-Guard	Pare-Pierres	Prallblech	
10	81006609/0	1	Manico, Parte Inf	Handle, Lower Part	Mancheron, Partie Inf.	Holm, Unterteil	
11	12293200/0	2	Dado	Nut	Ecrou	Mutter	
12	22399900/0	2	Manopolina	Knob	Poignée	Griff	
13	22680006/1	2	Rosetta	Washer	Rondelle	Scheibe	
14	81003801/1	1	Molla Guida	Guide Spring	Ressort De Guide	Feder Führer	
15	12819201/0	1	Vite	Screw	Vis	Schraube	
16	81006577/0	1	Manico, Parte Sup	Handle, Upper Part	Mancheron, Partie Sup.	Holm, Oberteil	
17	12674700/0	1	Vite	Screw	Vis	Schraube	
18	12521330/0	1	Rosetta	Washer	Rondelle	Scheibe	
19	12292100/0	1	Dado	Nut	Ecrou	Mutter	
20	81000613/0	1	Cavo Freno Motore	Cable, Thread Eng. Brake	Cable Frein Moteur	Kabel, Motorbremse	(B&S)
20	81000614/0	1	Cavo Freno Motore	Cable, Thread Eng. Brake	Cable Frein Moteur	Kabel, Motorbremse	(GGP 150 cc)
21	12645710/0	2	Spina	Pin	Goupille	Stift	
22	322321700/1	1	Leva Freno Motore	Lever, Engine Brake	Levier Frein Moteur	Hebel, Motorbremse	
23	22060171/0	1	Carter Cinghia	Protection, Belt	Protection Courroie	Schutz, Riemen	
24	12728686/0	2	Vite	Screw	Vis	Schraube	
25	22484070/1	1	Paracalore	Muffler Guard	Grille De Protection	Schutzabdeckung	
26	12691900/0	3	Vite	Screw	Vis	Schraube	
27	22167842/0	3	Distanziale	Spacer	Entretoise	Distanzring	
28	22040265/0	1	Bussola	Bush	Douille	Buchse	
29	12523070/0	3	Rosetta	Washer	Rondelle	Scheibe	
30	12155000/0	3	Dado	Nut	Ecrou	Mutter	
31	18564520/1	1	Passacavo	Fair Lead	Passe Cable	Kabeldurchgang	
32	12292100/0	1	Dado	Nut	Ecrou	Mutter	
33	22806521/0	1	Fascetta	Clamp	Collier	Bowdenzughalter	
34	12769616/0	1	Vite	Screw	Vis	Schraube	
35	81000704/0	1	Cavo Comando Trazione	Cable, Rear Drive	Câble, Comm. Traction	Kabel, Antrieb	
36	22321701/0	1	Leva Trazione	Driving Lever	Levier Traction	Antriebshebel	

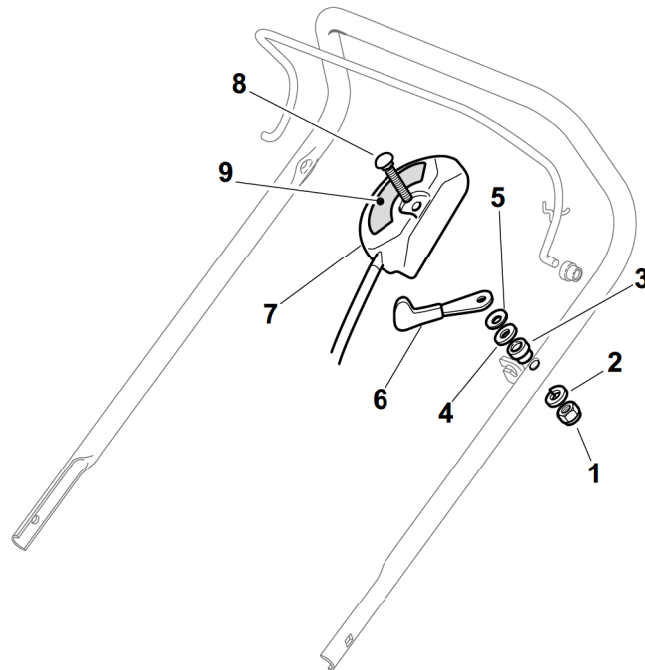
EP 434 TR



2009

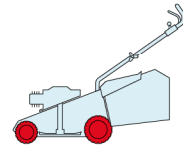
2_002

1 / 1



POS.	CODE	Q.TY	DESCRIZIONE	DESCRIPTION	DESCRIPTION	BESCHREIBUNG	REMARKS
1	12291000/0	1	Dado	Nut	Ecrou	Mutter	
2	12581500/0	1	Grower	Grower	Grower	Federring	
3	22171005/0	1	Distanziale	Spacer	Entretoise	Distanzring	
4	12521360/0	1	Rosetta	Washer	Rondelle	Scheibe	
5	12508100/0	1	Rosetta Elastica	Spring Washer	Rondelle Elastique	Elastische Scheibe	
6	81007279/1	1	Leva, Acceleratore	Lever, Throttle	Levier, Accelérateur	Hebel, Beshleuniger	(B&S 625-675-700 Series - Honda - Ggp 140-160-196 cc)
6	81007220/0	1	Leva, Acceleratore	Lever, Throttle	Levier, Accelérateur	Hebel, Beshleuniger	(B&S 450-500 Series - Ggp 150 cc)
7	81007080/0	1	Cavo Acceleratore	Throttle Cable	Cable, Accelérateur	Gashebel Kabel	
8	12815000/0	1	Vite	Screw	Vis	Schraube	
9	14356703/0	1	Etichetta	Label	Etiquette	Etikette	(B&S)
9	114356905/0	1	Etichetta	Label	Etiquette	Etikette	(B&S 700 series DOV)
9	14356702/0	1	Etichetta	Label	Etiquette	Etikette	(GGP)
9	114364264/0	1	Etichetta	Label	Etiquette	Etikette	AVS (GGP 160-196)
9	14356702/0	1	Etichetta	Label	Etiquette	Etikette	(Honda)
9	114356905/0	1	Etichetta	Label	Etiquette	Etikette	(Honda GCV 160-190 Autochoke)

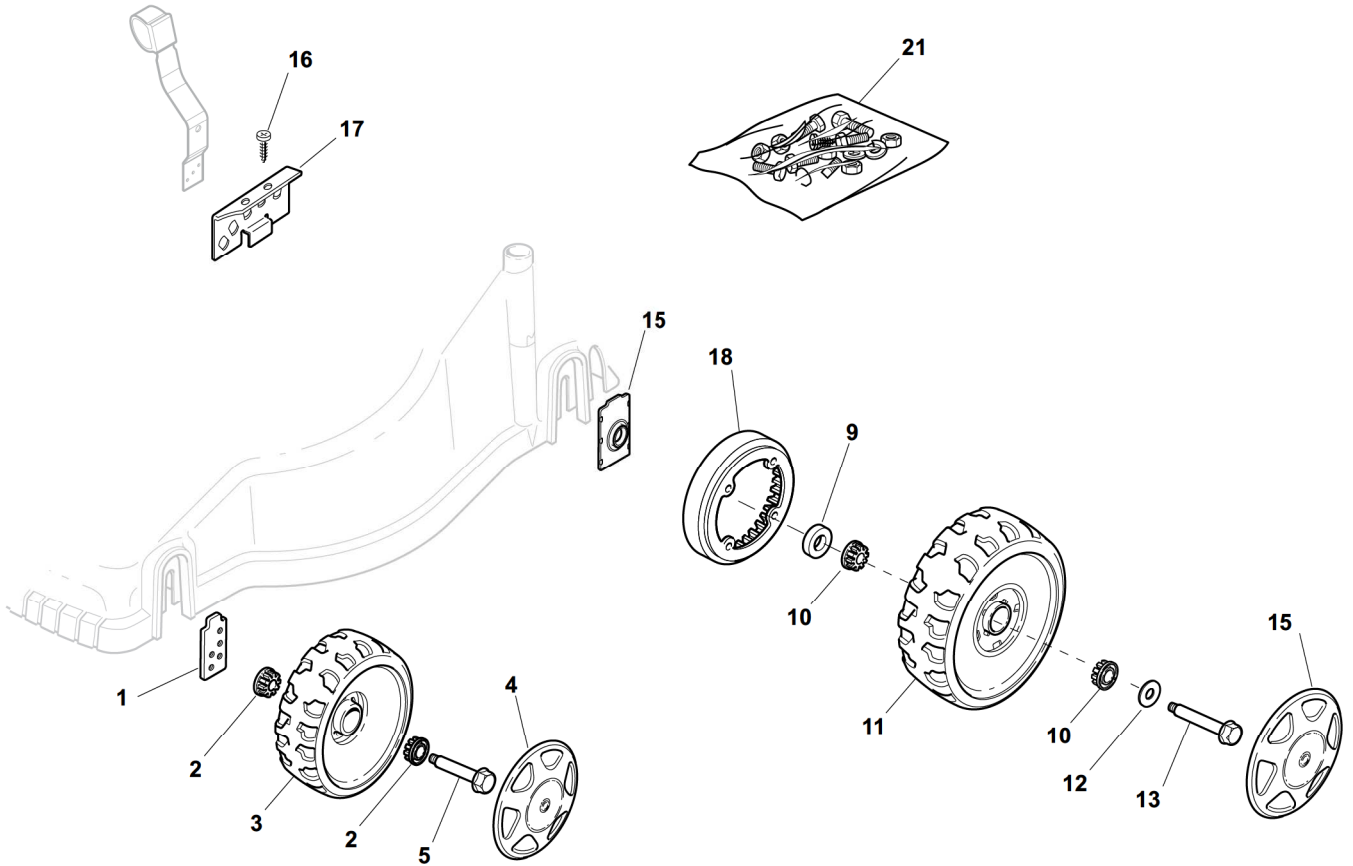
EP 434 TR



2009

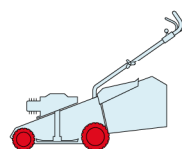
2_003

1 / 1



POS.	CODE	Q.TY	DESCRIZIONE	DESCRIPTION	DESCRIPTION	BESCHREIBUNG	REMARKS
1	322785093/1	2	Supporto Ruota	Support, Wheel	Support Roue	Halter, Rad	
2	22034515/1	4	Bussola	Bush	Douille	Buchse	
3	22686091/1	2	Ruota Ø 165	Wheel Ø 165	Roue Ø 165	Rad Ø 165	
4	-	2	Coprimozzo	Hub Cap	Couvre-Moyeu	Radkappe	(See Enclosure 1)
5	22524340/0	2	Perno	Pin	Pivot	Bolzen	
9	22170622/0	2	Distanziale	Spacer	Entretoise	Entfernungsstück	
10	22034508/0	4	Bussola	Bush	Douille	Buchse	
11	22686093/0	2	Ruota Ø 190	Wheel Ø 190	Roue Ø190	Rad Ø 190	
12	12523050/0	2	Rosetta	Washer	Rondelle	Scheibe	
13	12735599/0	2	Vite	Screw	Vis	Schraube	
14	-	2	Coprimozzo	Hub Cap	Couvre-Moyeu	Radkappe	(See Enclosure 2)
15	22557149/0	2	Piastrina	Plate	Plaquette	Plättchen	
16	12728680/0	2	Vite	Screw	Vis	Schraube	
17	22735567/0	1	Settore Di Regolazione	Sector, Height Adj.	Secteur Reglage	Sektor, Höheverstellung	
18	22120109/0	2	Ruota Dentata	Sprocket	Couronne	Zahnkettenrad	
21	81008679/0	1	Dotazione Viteria	Outfit, Screws	Dotation Visserie	Satz, Schrauben	

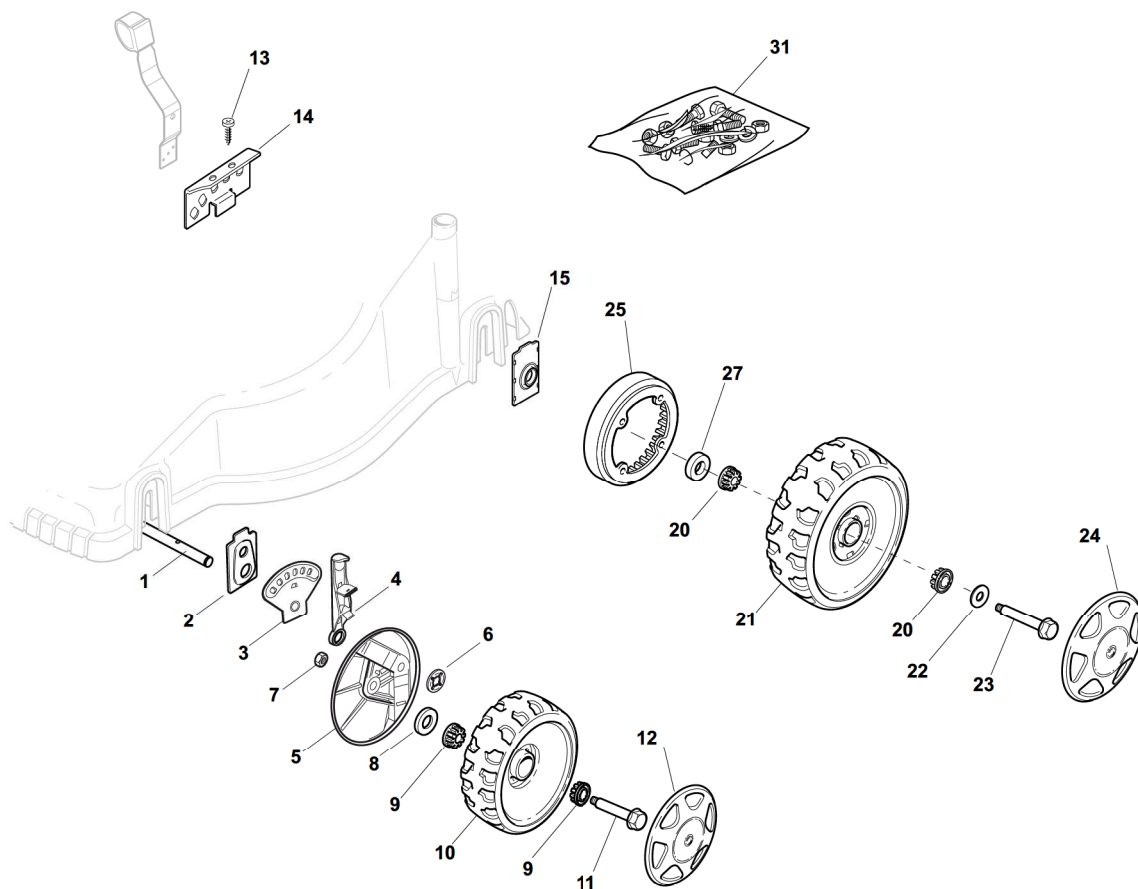
EP 434 TR



2009

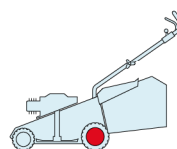
2_004

1 / 1



POS.	CODE	Q.TY	DESCRIZIONE	DESCRIPTION	DESCRIPTION	BESCHREIBUNG	REMARKS
1	22033363/0	1	Asse	Axle	Axe	Achse	
2	22785135/0	2	Supporto	Support	Support	Halter	
3	22735555/0	2	Settore Di Regolazione	Sector, Height Adj.	Secteur Reglage	Sektor, Höheverstellung	
4	81003306/0	2	Leva Regolazione Altezza	Lever, Height Adjustment	Levier Reglage Hauteur	Hebel, Höneverstellung	
5	322600170/0	2	Prot. Ruote	Protection, Wheel	Protection Roue	Schütz, Räder	
6	22020050/0	2	Anello Elastico	Snap Ring	Anneau Ressort	Sprengring	
7	12155000/0	2	Dado	Nut	Ecrou	Mutter	
8	25670011/0	2	Rosetta	Washer	Rondelle	Scheibe	
9	22034508/0	4	Bussola	Bush	Douille	Buchse	
10	22686091/1	2	Ruota Ø 165	Wheel Ø 165	Roue Ø 165	Rad Ø 165	
11	22524341/0	2	Perno	Pin	Pivot	Bolzen	
12	-	2	Coprimozzo	Hub Cap	Couvre-Moyeu	Radkappe	(See Enclosure 1)
13	12728680/0	2	Vite	Screw	Vis	Schraube	
14	22735567/0	1	Settore Di Regolazione	Sector, Height Adj.T	Secteur Reglage	Sektor, Höheverstellung	
15	22557149/0	2	Piastrina	Plate	Plaquette	Plättchen	
20	22034508/0	4	Bussola	Bush	Douille	Buchse	
21	22686093/0	2	Ruota Ø 190	Wheel Ø 190	Roue Ø190	Rad Ø 190	
22	12523050/0	2	Rosetta	Washer	Rondelle	Scheibe	
23	12735599/0	2	Vite	Screw	Vis	Schraube	
24	-	2	Coprimozzo	Hub Cap	Couvre-Moyeu	Radkappe	(See Enclosure 2)
25	22120109/0	2	Ruota Dentata	Sprocket	Couronne	Zahnkettenrad	
27	22170622/0	2	Distanziale	Spacer	Entretoise	Entfernungsstück	
31	81008679/0	1	Dotazione Viteria	Outfit, Screws	Dotation Visserie	Satz, Schrauben	

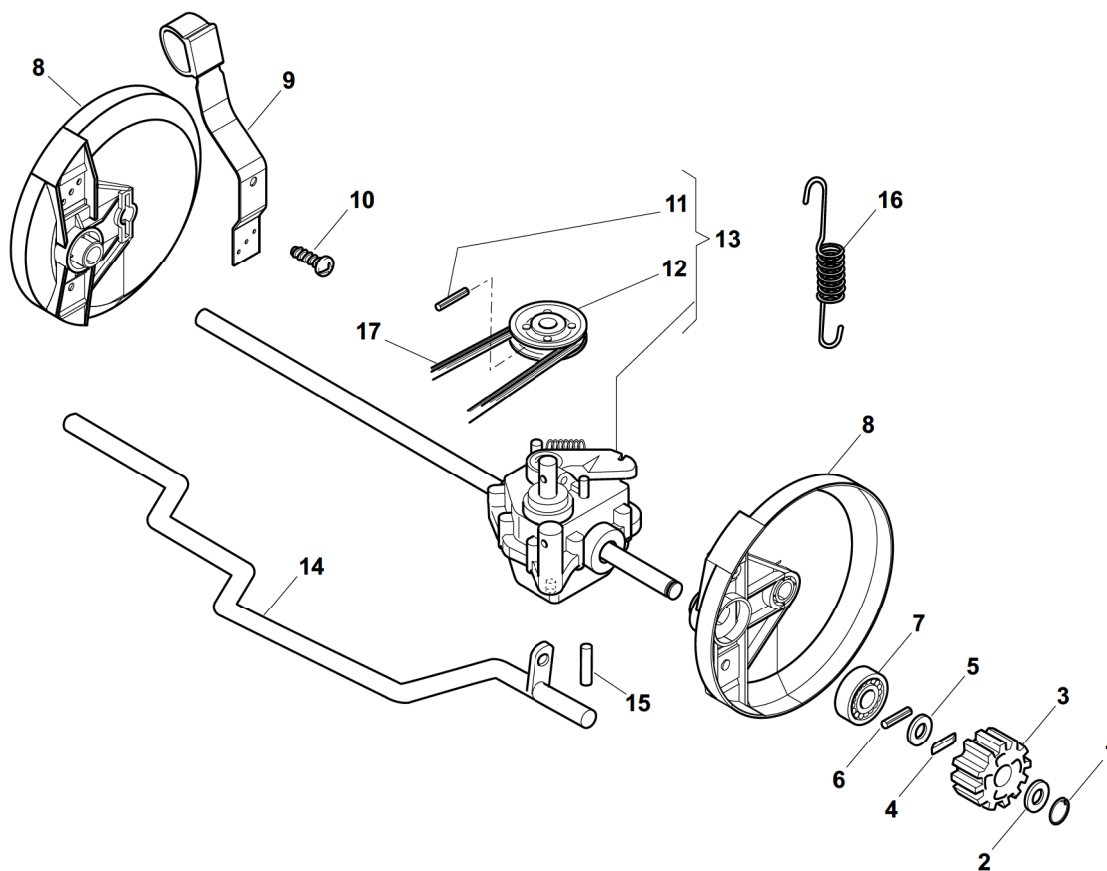
EP 434 TR



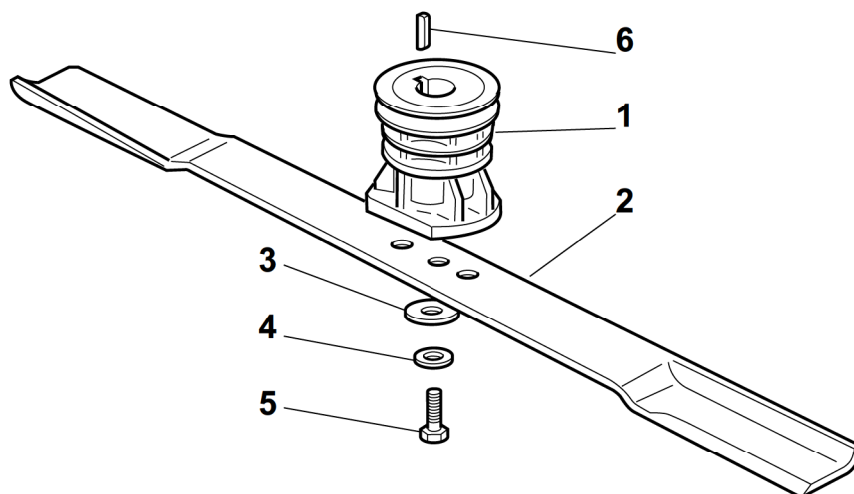
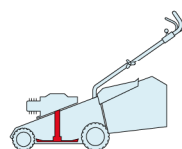
2009

2_005

1 / 1

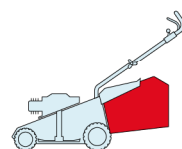


POS.	CODE	Q.TY	DESCRIZIONE	DESCRIPTION	DESCRIPTION	BESCHREIBUNG	REMARKS
1	12608520/0	2	Seeger	Seeger	Seeger	Seeger	
2	22160520/0	2	Disco Parapolvere	Dust Cover	Protege-Poussiere	Staubschuttscheibe	
3	22570125/0	2	Pignone	Pinion	Pignon	Ritzel	
4	22076645/0	2	Chiave	Key	Clef	Schlüssel	
5	22160520/0	2	Disco Parapolvere	Dust Cover	Protege-Poussiere	Staubschuttscheibe	
6	12622620/0	2	Spina	Pin	Goupille	Stift	
7	22122202/0	2	Cuscinetto	Bearing	Coussinet	Lager	
8	22600106/1	2	Prot. Ruote	Protection, Wheel	Protection Roue	Schütz, Räder	
9	81003303/0	1	Leva Regolazione Altezza	Lever, Height Adjustment	Levier Reglage Hauteur	Hebel, Höneverstellung	
10	12728689/0	2	Vite	Screw	Vis	Schraube	
11	12645705/0	1	Spina	Pin	Goupille	Stift	
12	22601909/0	1	Puleggia	Pulley	Poulie	Riemenscheibe	
13	181003093/1	1	Gruppo Trazione	Gear Box	Groupe Traction	Antrieb	
14	22033393/0	1	Asse Ruote Posteriori	Axle, Rear Wheels	Axe Roues Arriere	Achse, Hinterrad	
15	22753001/0	2	Spina	Pin	Goupille	Stift	
16	22430216/0	1	Molla	Spring	Ressort	Feder	
17	35063800/0	1	Cinghia Z 27	Belt Z 27	Courroie Z 27	Riemen Z 27	



POS.	CODE	Q.TY	DESCRIZIONE	DESCRIPTION	DESCRIPTION	BESCHREIBUNG	REMARKS
1	22465607/2	1	Mozzo	Hub	Moyeu	Halter	
2	81004341/3	1	Coltello Standard	Blade Standard	Lame Standard	Messer Standard	
3	22160400/0	1	Disco Elastico	Elastic Washer	Rondelle Elastique	Elastischescheibe	
4	12523080/0	1	Rosetta	Washer	Rondelle	Scheibe	
5	12735698/0	1	Vite	Screw	Vis	Schraube	
6	12139100/0	1	Linguetta	Feather	Clavette	Keil	

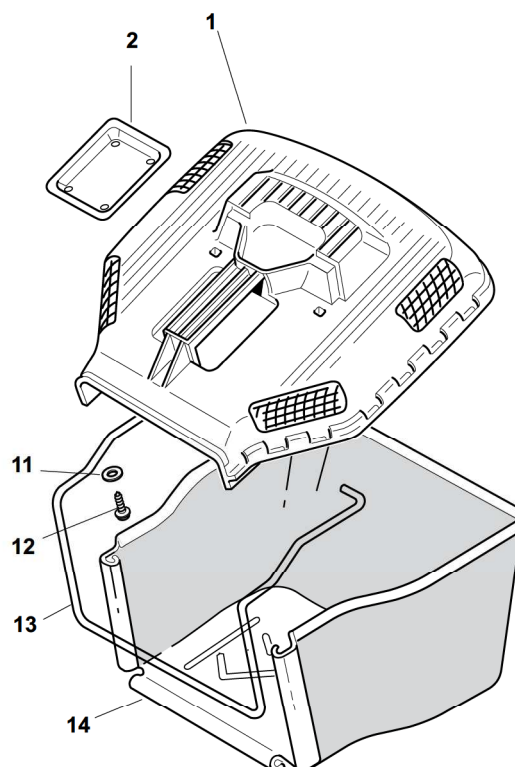
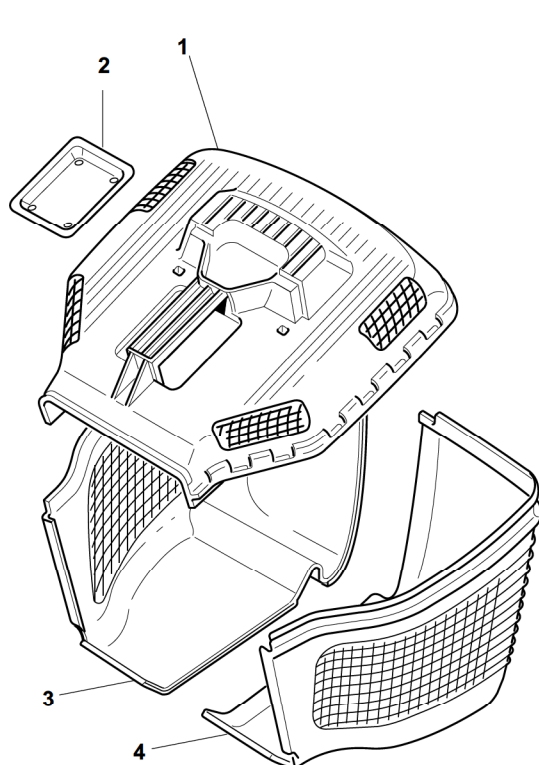
EP 434 TR



2009

2_007

1 / 1



POS.	CODE	Q.TY	DESCRIZIONE	DESCRIPTION	DESCRIPTION	BESCHREIBUNG	REMARKS
1	22486115/0	1	Parte Sup.Sacco	Grassbox Upper Part	Sac, Partie Superieure	Korb Oberteil	
2	22486098/0	1	Piastrina	Plate	Plaquette	Plattchen	
3	22486120/0	1	Parte Infer. Sacco Dx	Grassbox Lower Part(R)	Sac, Partie Inferieure (D)	Korb Unterteil (R)	
4	22486119/0	1	Parte Infer. Sacco Sx	Grassbox Lower Part (L)	Sac, Partie Inferieure (G)	Korb Unterteil (L)	
11	12521460/0	2	Rosetta	Washer	Rondelle	Scheibe	
12	12728300/0	2	Vite	Screw	Vis	Schraube	
13	22608518/0	1	Rinforzo Inf	Stiffening Lower	Réinforcement Inf	Verstärkung Untere	
14	81002239/0	1	Sacco, Tela	Box, Fabric	Sac, Toile	Sack, Tuck	